

1/5

! (Warning symbol)

10'

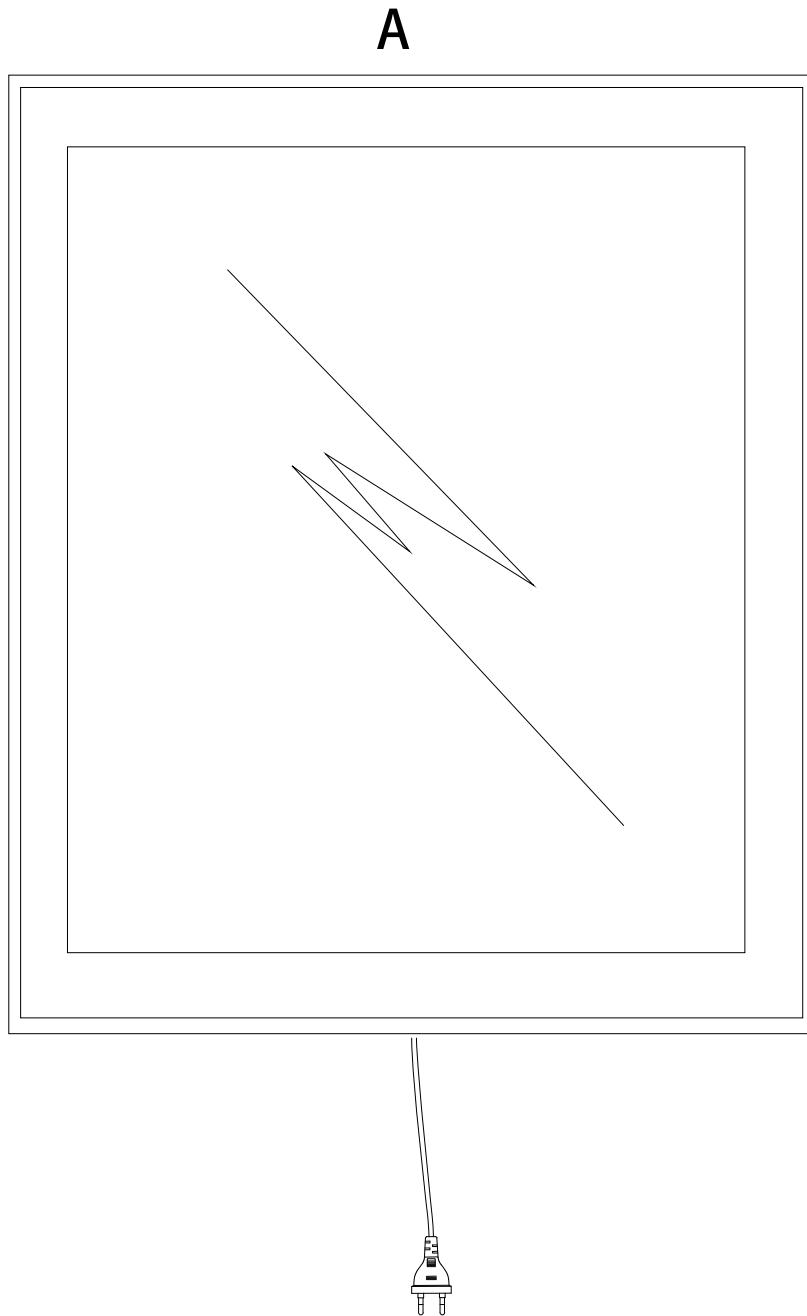
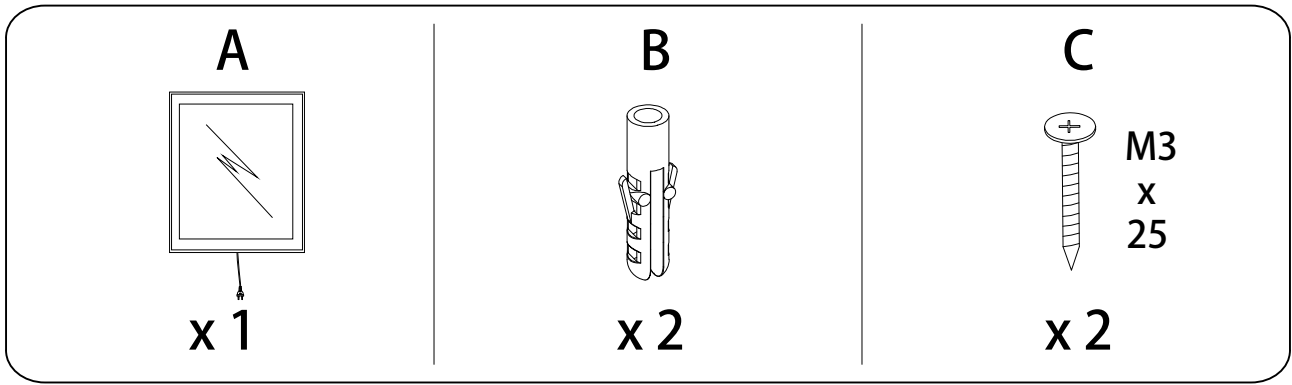
A rounded rectangular box containing two circular icons. The left icon shows a screwdriver, and the right icon shows a power drill.

! (Warning symbol)

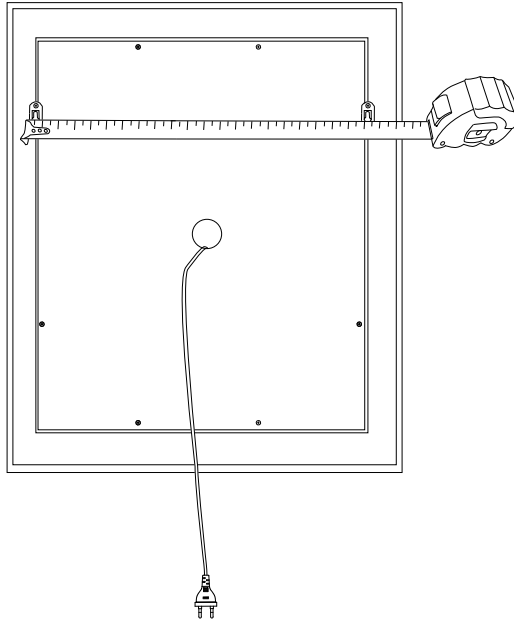
1

A rounded rectangular box containing two circular icons. The left icon shows a rectangular block on a mat with a serrated edge. The right icon shows a rectangular block being cut by a diagonal line with a double-headed arrow.

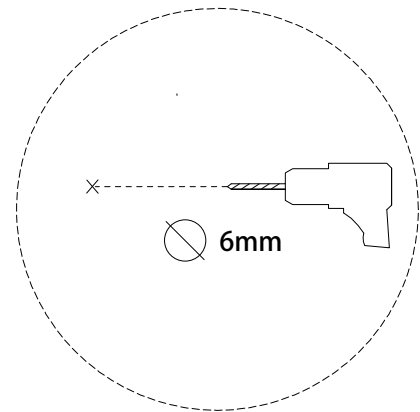
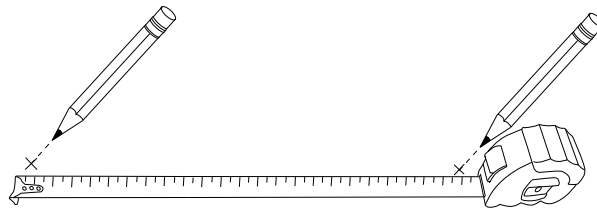
1/5




1




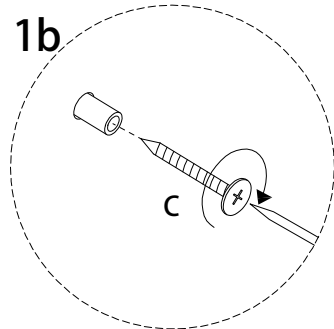
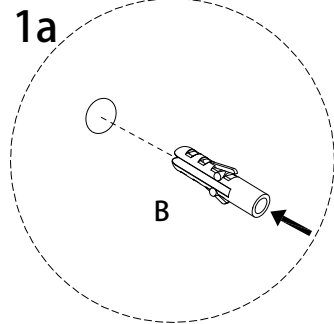
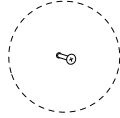
2



3

B

x 2

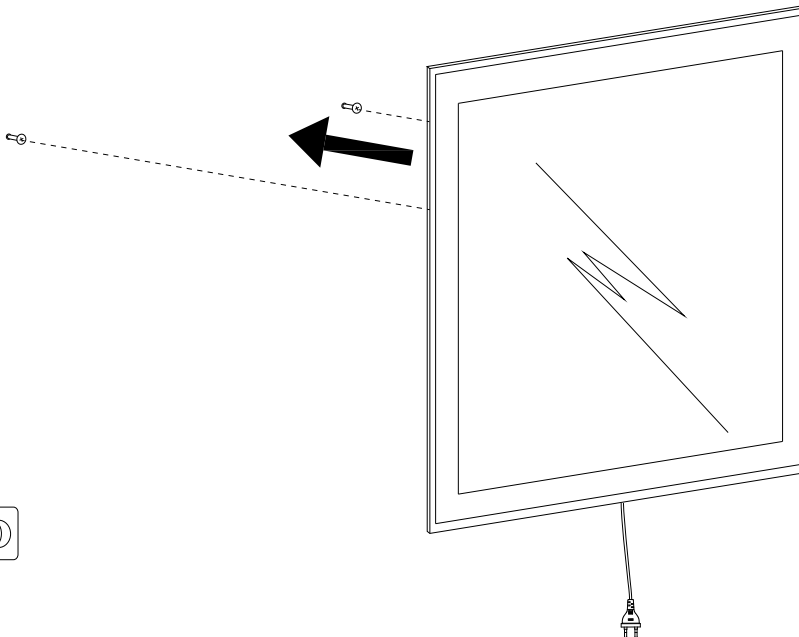
C

M3
x 25
x 2



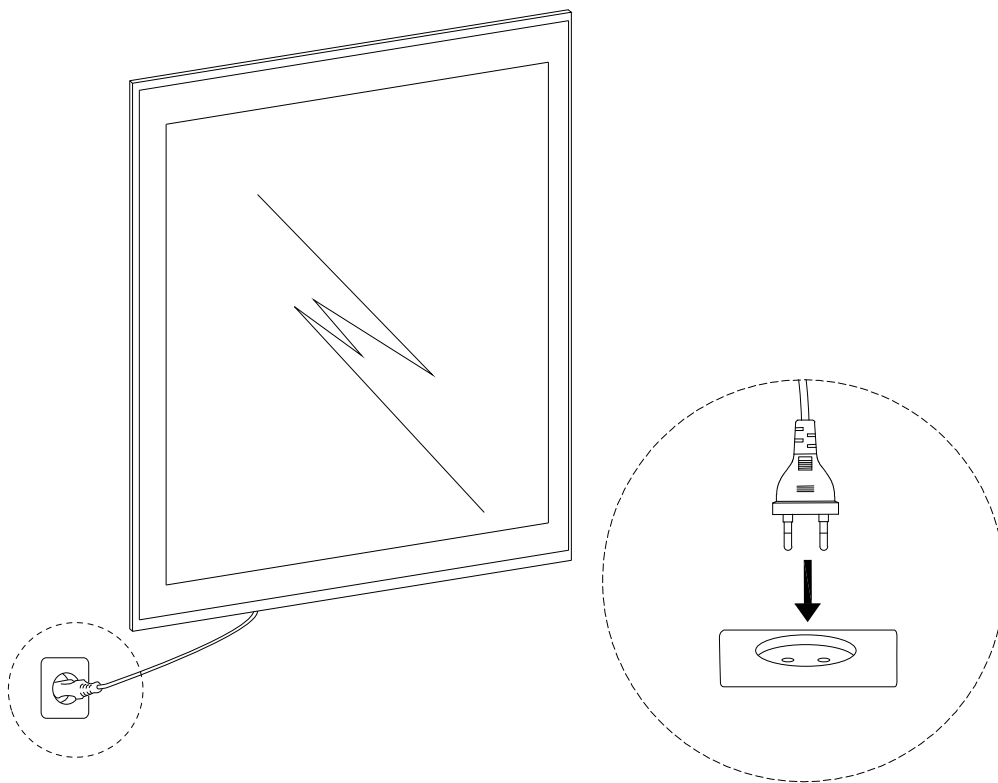
4

A

x 1



5



!

