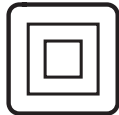
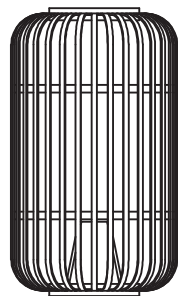
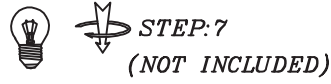


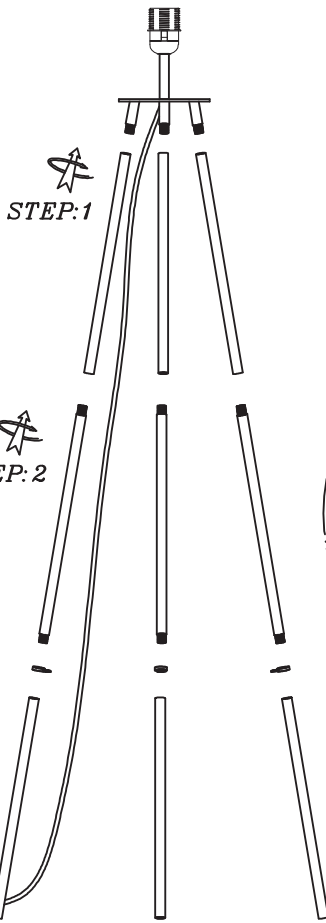
INSTRUCTION MANUAL



Manila FL
98418



STEP:5



STEP:4

