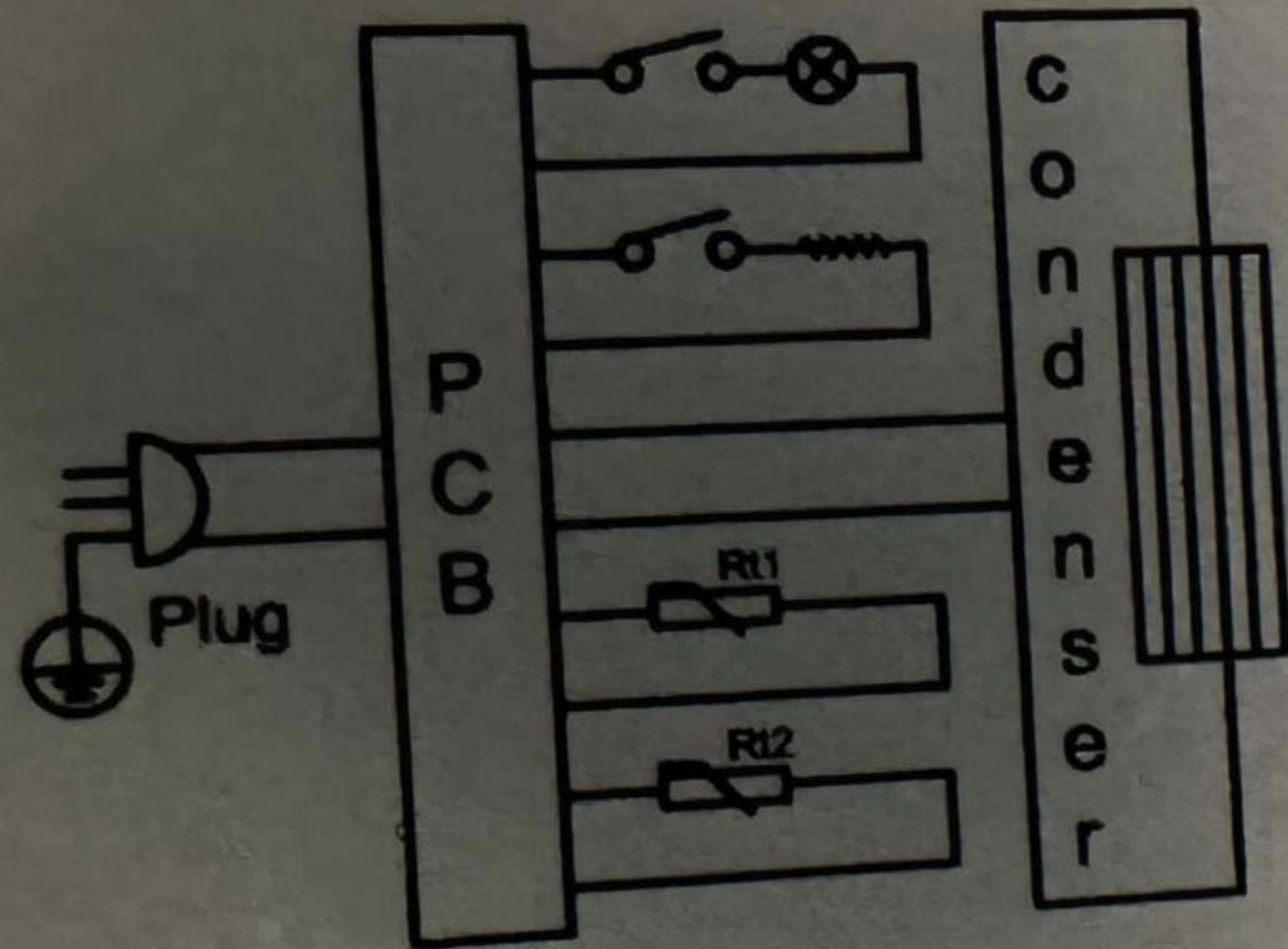


Silent Minibar



Circuit Diagram

Volume:32L

Climate class:N.SN

Voltage:220-240V~/50-60Hz

Rated Power /Current 58W/0.5 A

Refrigerant / Weight R600a (25g)

Foaming gas:cyclopentane

CE