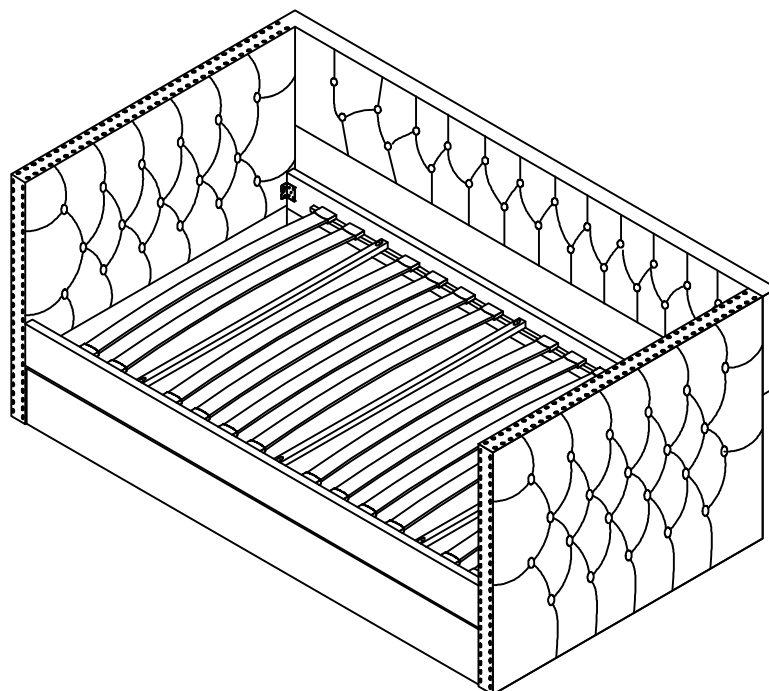


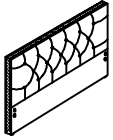
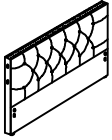
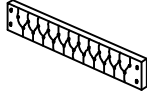

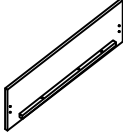
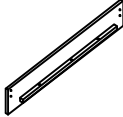

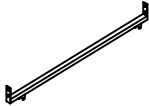


ASSEMBLY INSTRUCTIONS

IMPORTANT NOTE:

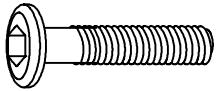
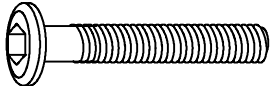
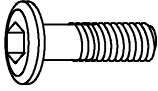




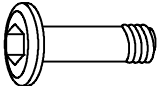
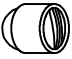
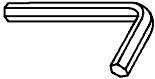
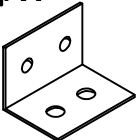

- ** PLACE ALL PARTS ON A CLEAN AND SMOOTH SURFACE SUCH AS A RUG OR CARPET TO AVOID THE PARTS FROM BEING SCRATCHED.**
- ** BEFORE YOU BEGIN , KINDY FOLLOW THE ASSEMBLY INSTRUCTIONS STEP BY STEP .**
- ** DO NOT TIGHTEN ALL SCREWS UNTIL THE BED IS FULLY SET-UP.**
- ** CAREFULLY CHECK THAT YOU HAVE ALL THE COMPONENTS PRIOR TO ASSEMBLY.**
- ** UNPACK AND ASSEMBLE THIS FURNITURE ON A CLEAN, FLAT, PROTECTIVE SURFACE IN THE ROOM IT WILL BE USED.**
- ** WE RECOMMEND THAT THE PACKAGING IS USED TO PROTECT THE SURFACES DURING ASSEMBLY.**
- ** IT MAY BE NECESSARY TO TIGHTEN ANY FITTINGS FROM TIME TO TIME DEPENDING ON USE, THIS IS NORMAL WITH FLAT PACK FURNITURE.**
- ** SAVE ALL PACKING MATERIAL UNTIL ASSEMBLY IS COMPLETE TO AVOID ACCIDENTALLY DISCARDING SMALLER PARTS OR HARDWARE.**
- ** PLEASE KEEP THESE INSTRUCTIONS SAFE IN CASE YOU WISH TO LOOK AT IN THE FUTURE.**



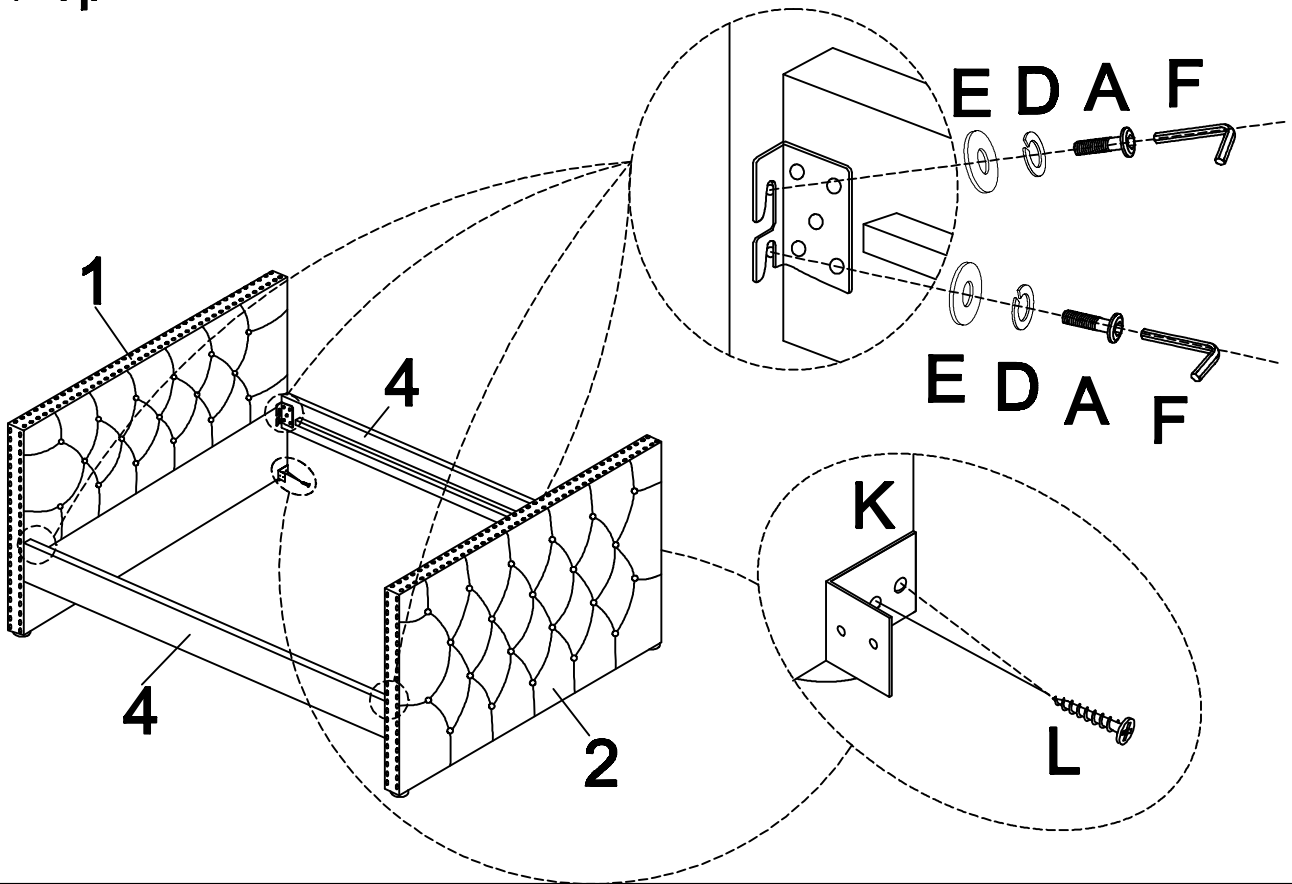
Part List

<p>(1)Left Arm X 1PC</p> 	<p>(2)Right Arm X 1pc</p> 	<p>(3)Top Back Panel X 1pc</p> 
<p>(4)Top Side Rails X 2pcs</p> 	<p>(5)Bottom Front Panel X 1pc</p> 	<p>(6)Bottom Back Panel X 1pc</p> 
<p>(7) Cross Wood Supportor(Short)X 6pcs</p> 	<p>(8)Bottom Side Panels (Narrow) X 2pcs</p> 	<p>(9)Slats X 24pcs</p> 
<p>(10)Single Plastic Cap X 48pcs</p> 		

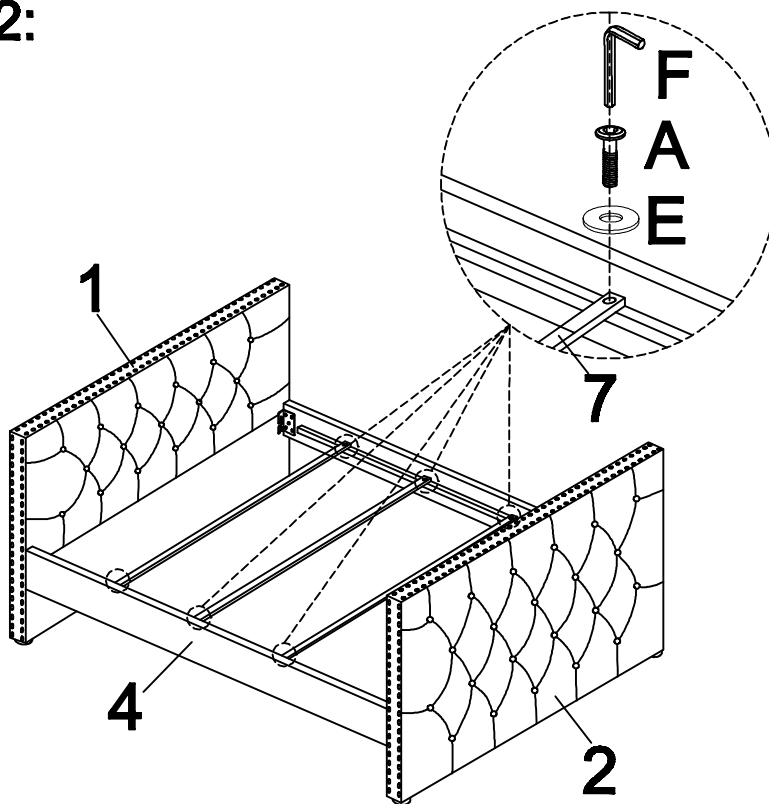
Hardware List

<p>(A)Bolt 5/16 X 1" X 20 pcs</p> 	<p>(B)Bolt 5/16 X 2-1/2" X 4 pcs</p> 	<p>(C)Bolt 5/16 X 3/4" X 8 pcs</p> 	<p>(D)Spring Washer M8 X 20 pcs</p> 
<p>(E)Flat Washer M8X19mm X 32 pcs</p> 	<p>(F)Allen Key M5 X 1 pc</p> 	<p>(G)Directionalwheel X 4 pcs</p> 	<p>(C)Bolt 5/16 X 1" X 4 pcs</p> 
<p>(I)But M4 X 4 pcs</p> 	<p>(J)Allen Key 4 X 1 pc</p> 	<p>(K)L-shaped angle X 2 pcs</p> 	<p>(L)Screw X 4 pcs</p> 

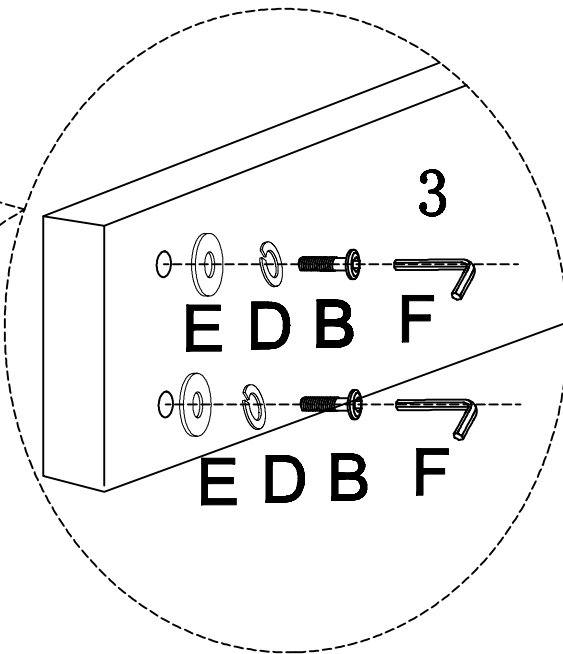
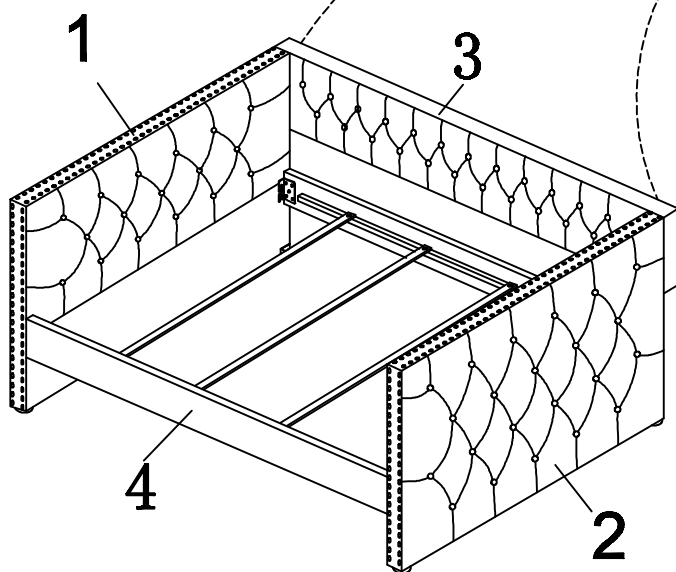
Step 1:



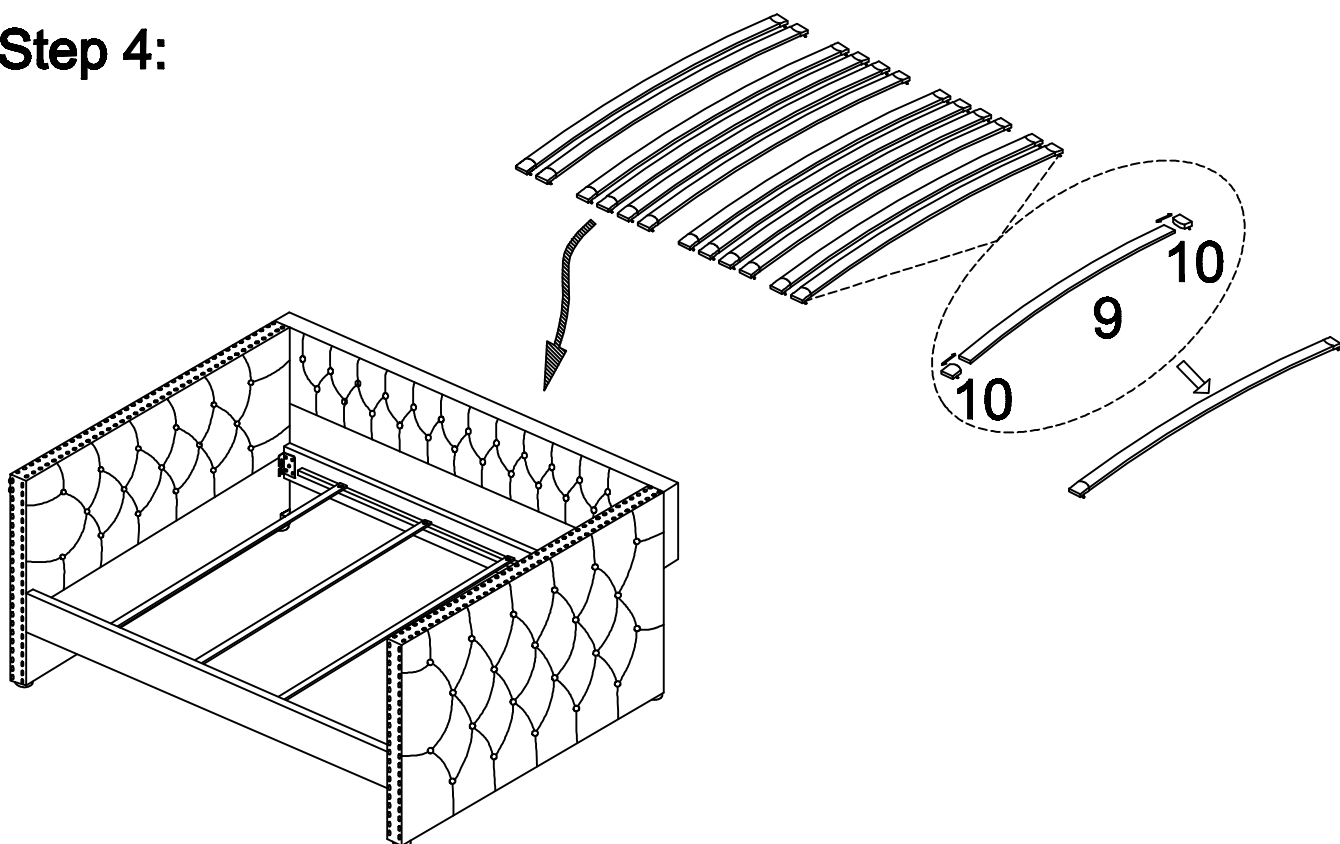
Step 2:



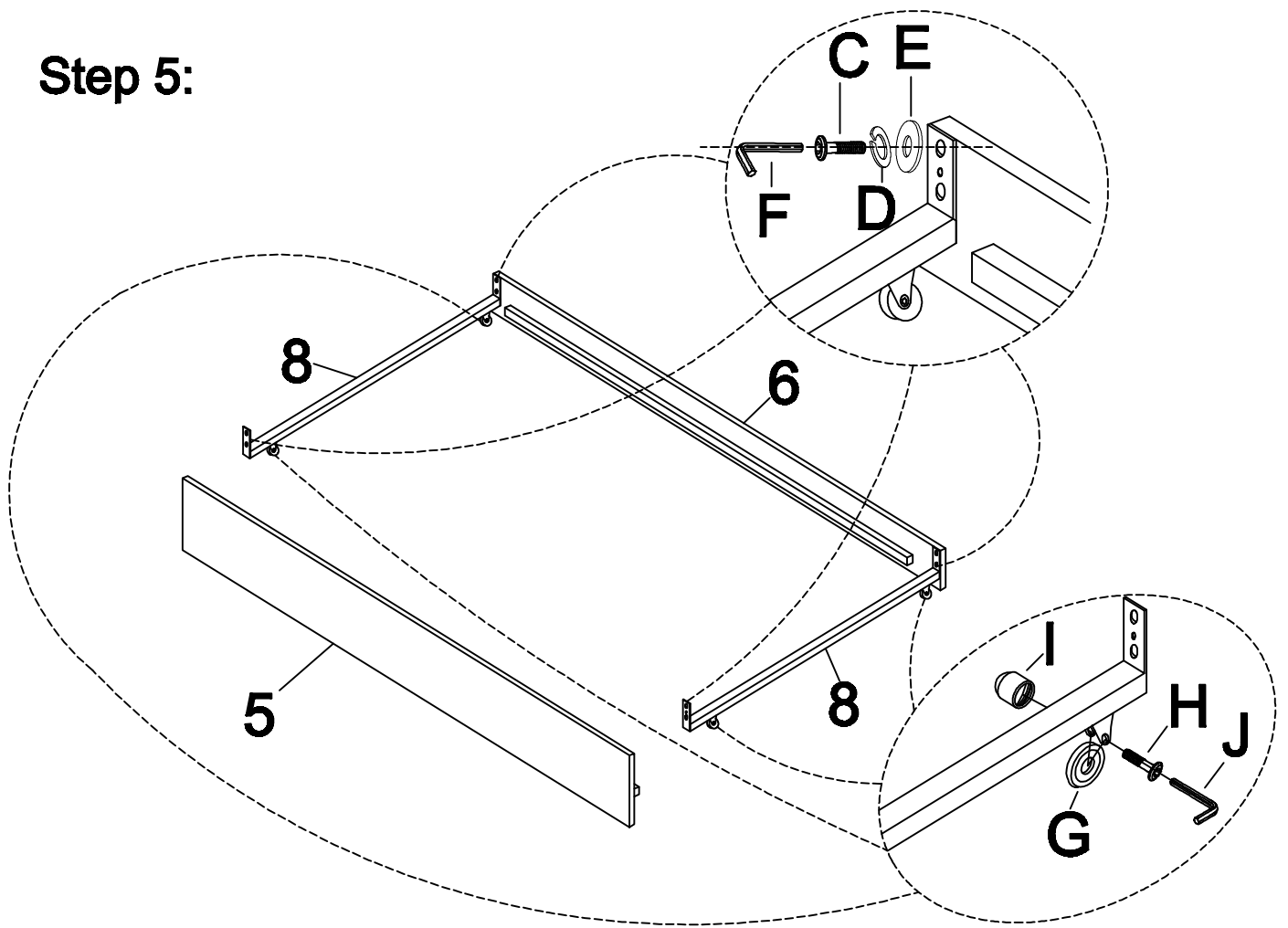
Step 3:



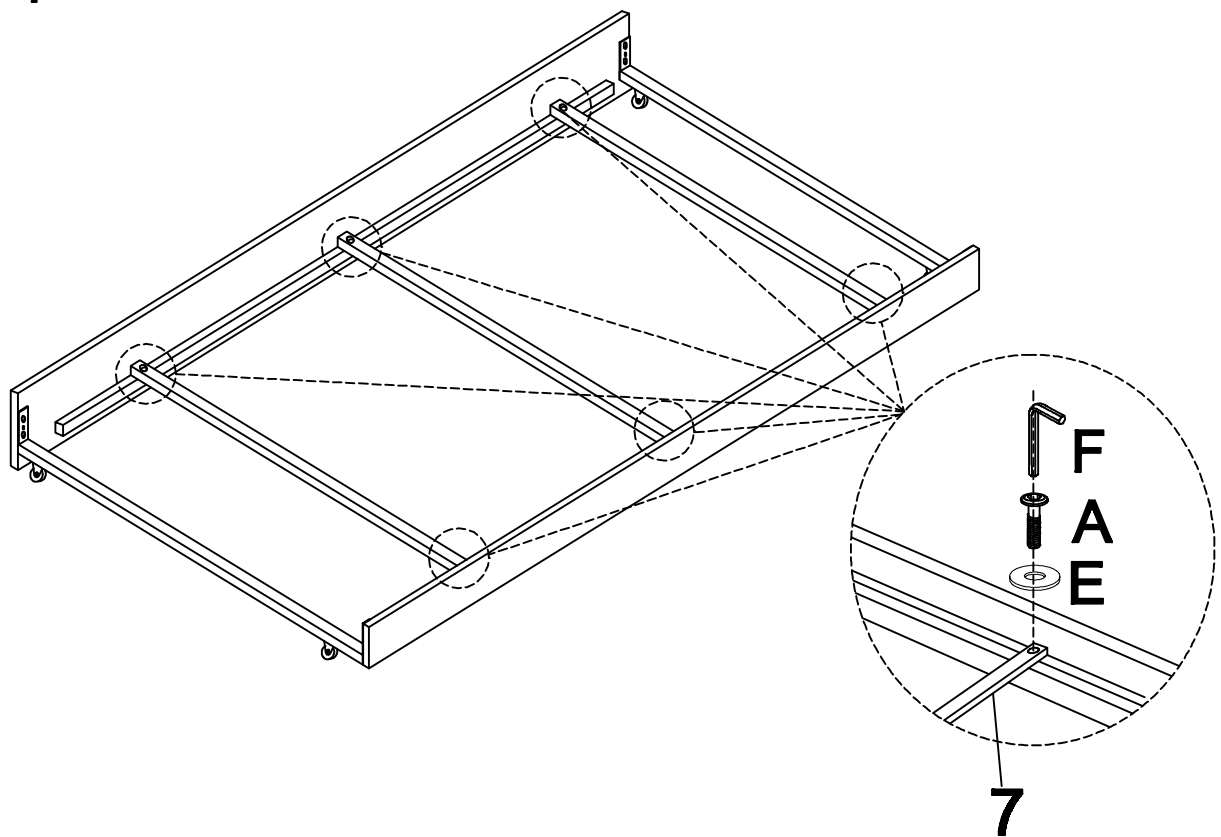
Step 4:



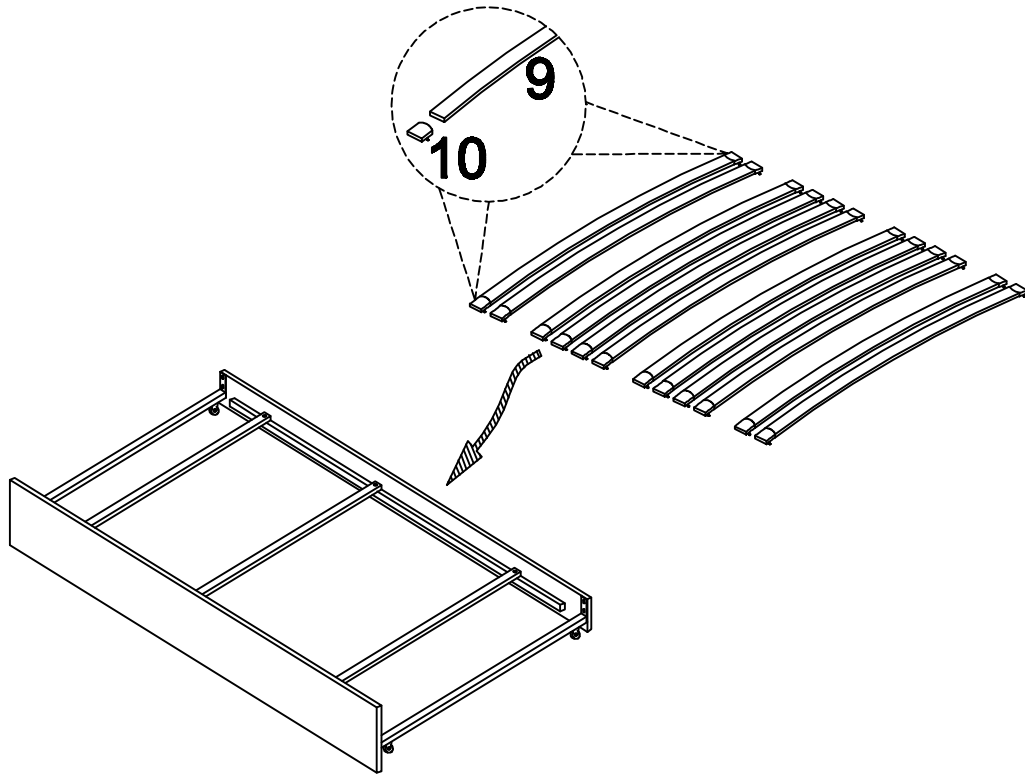
Step 5:



Step 6:



Step 7:



Step 8:

