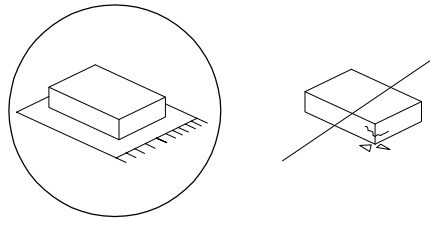
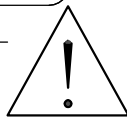

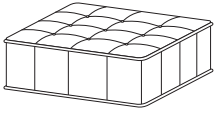
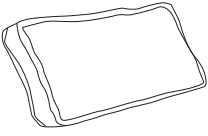
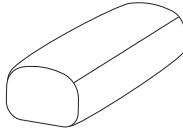
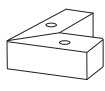
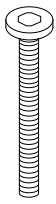
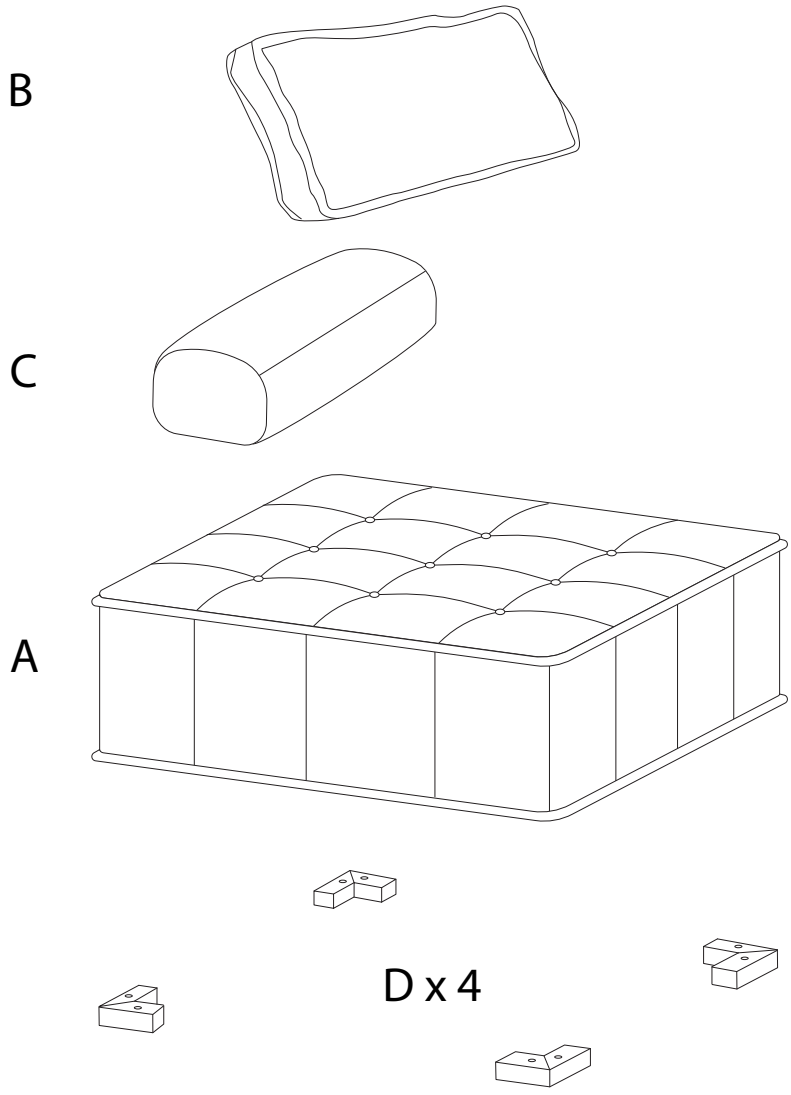

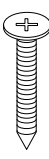
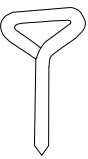
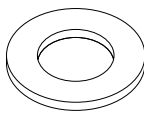
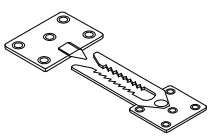

		10'
		
		1

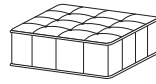
A	B	C	D	E
				 M8 x 55
x 1	x 1	x 1	x 4	x 8



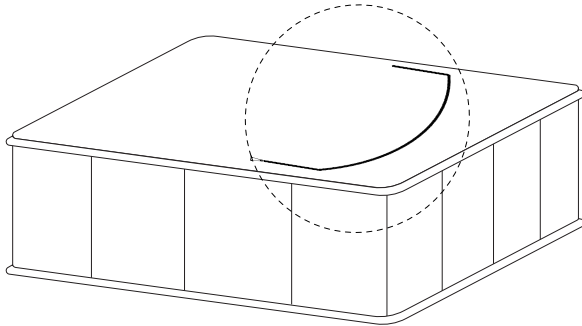
F	G	H	I	J
	 M4 x 30			
x 1	x 10	x 1	x 8	x 1

1

A

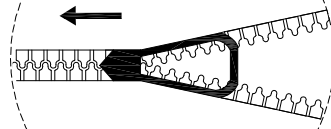


x 1

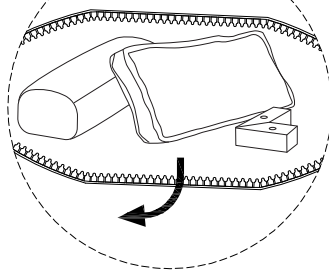


A

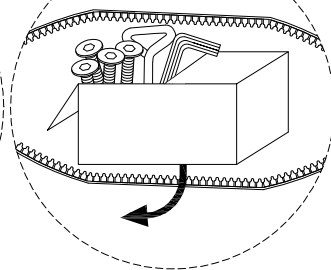
1a



1c

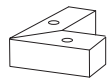


1b



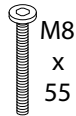
2

D



x 4

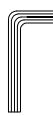
E



M8
x
55

x 8

F

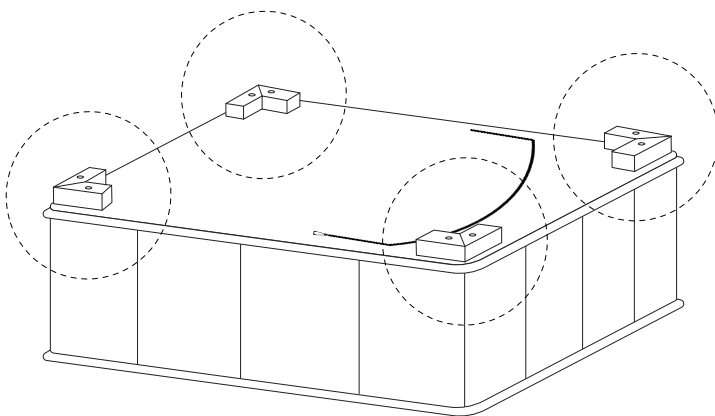


x 1

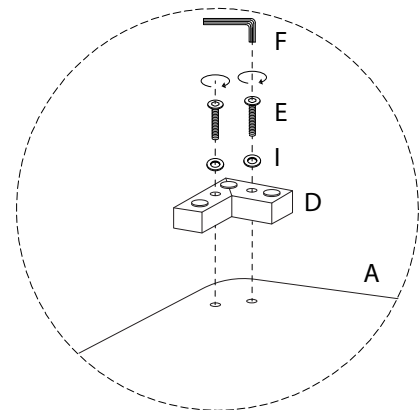
I



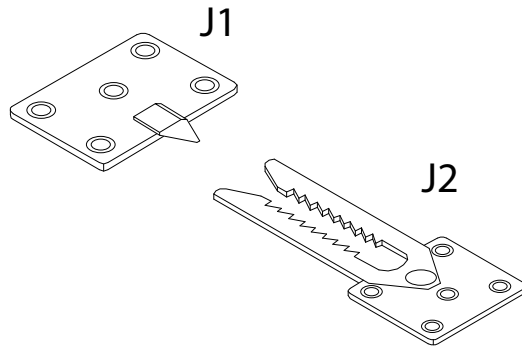
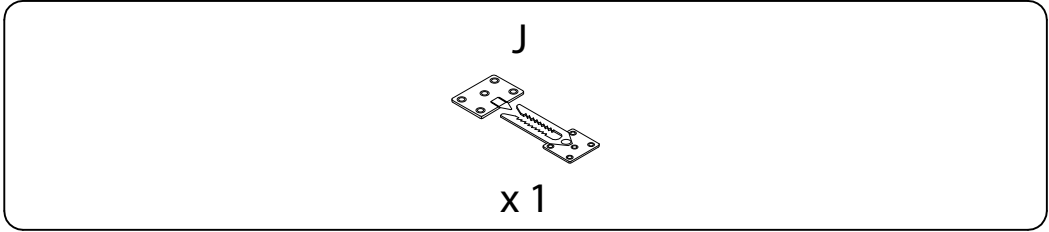
x 8



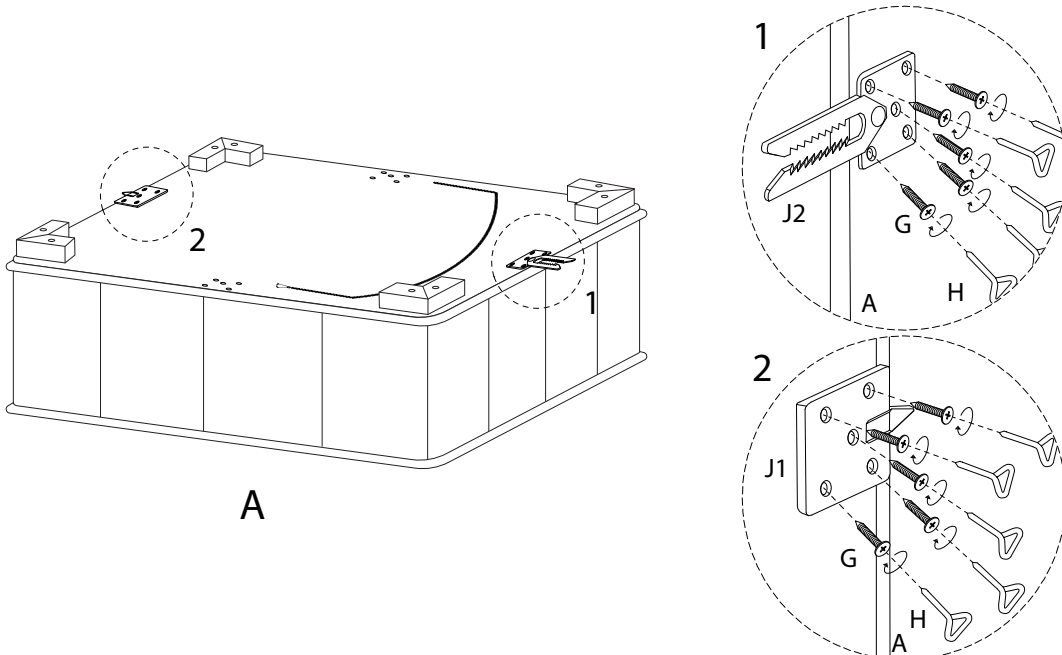
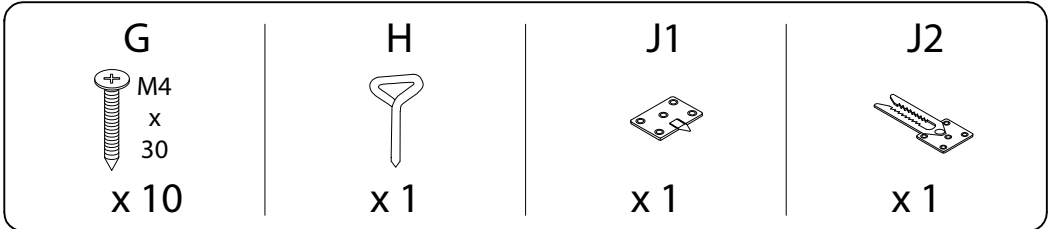
A



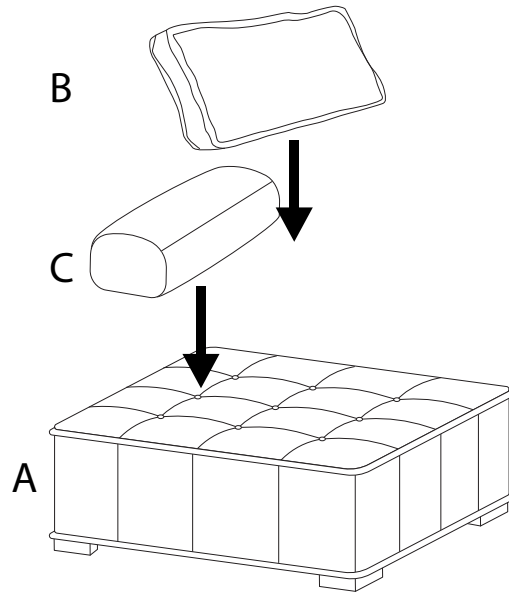
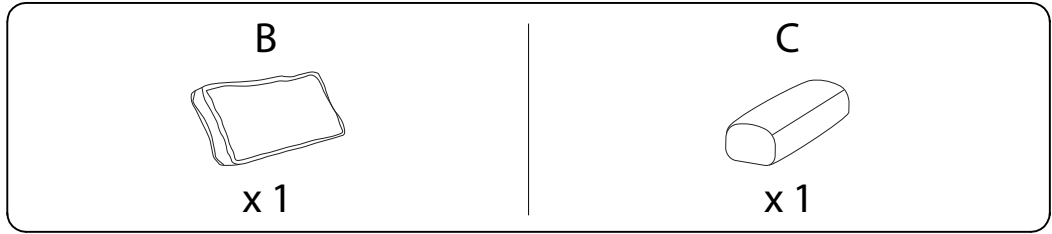
!



3



4



!

