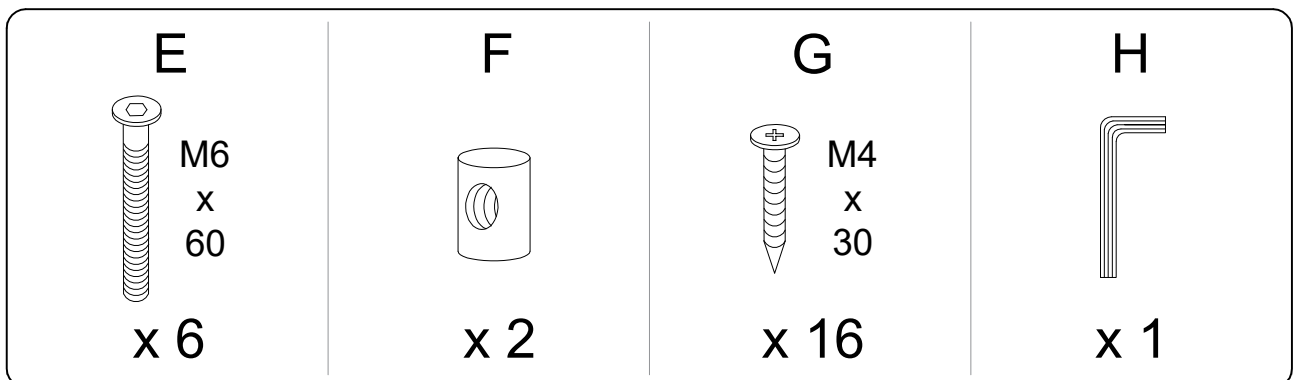
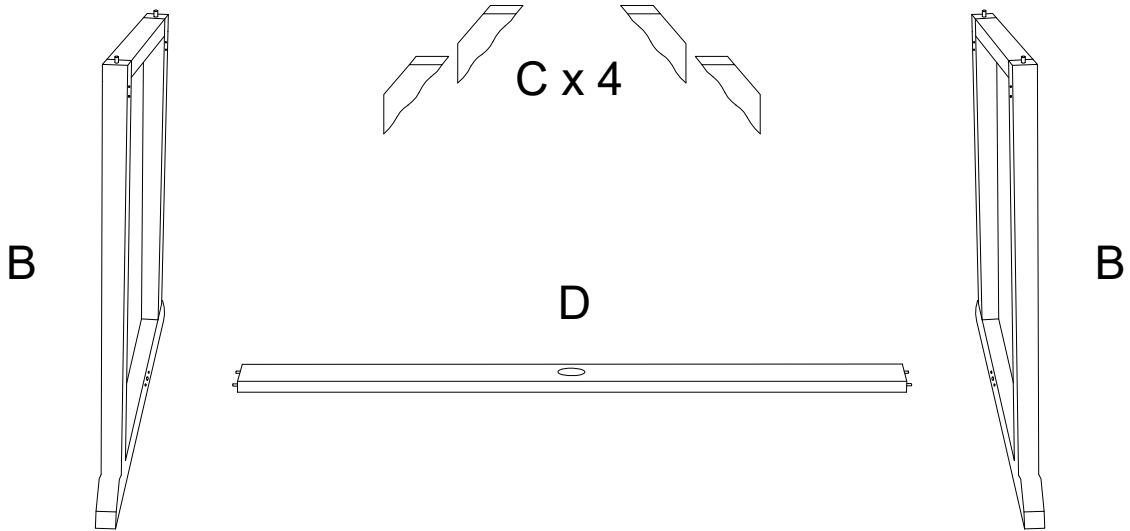
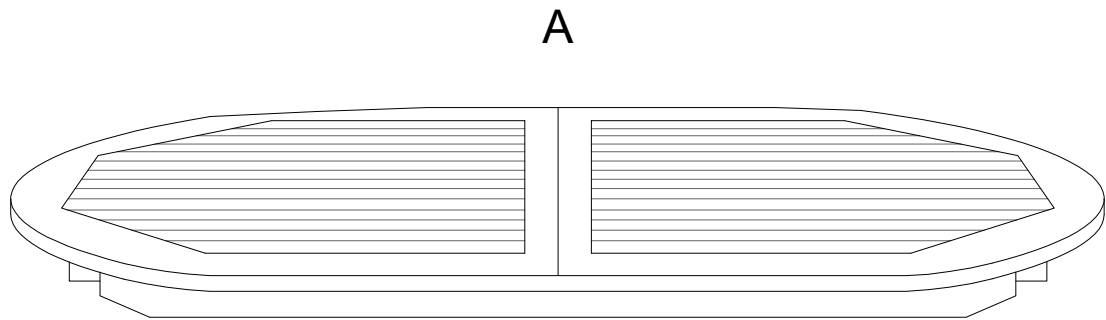
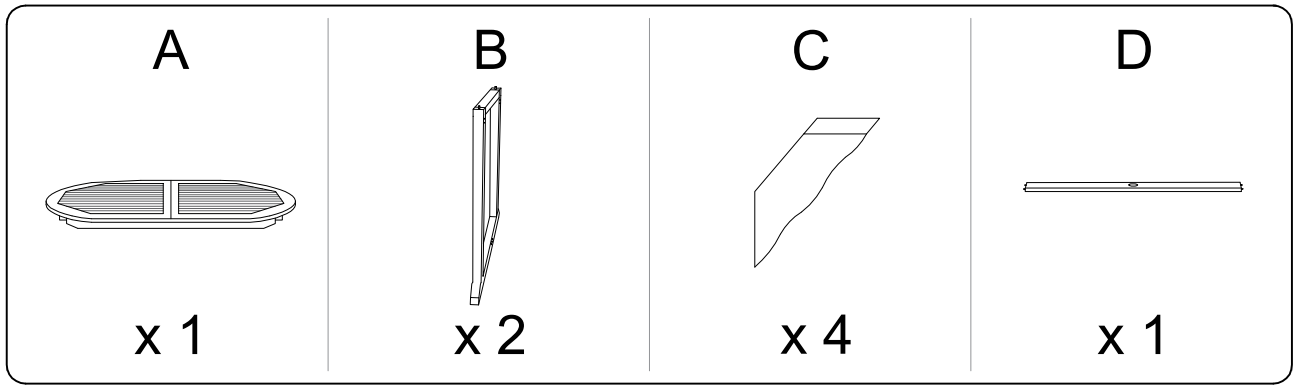
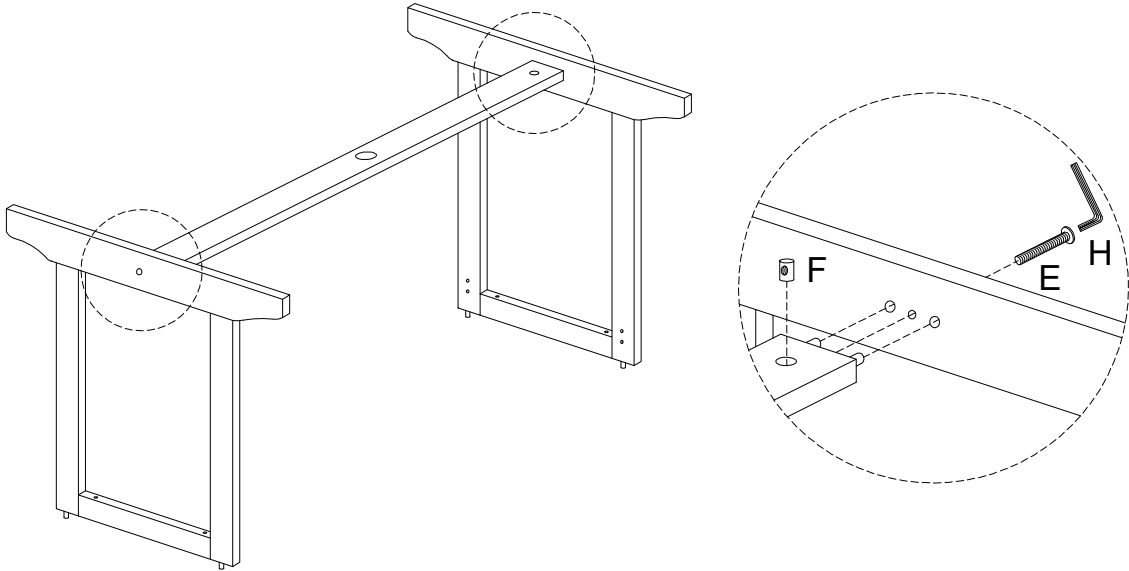
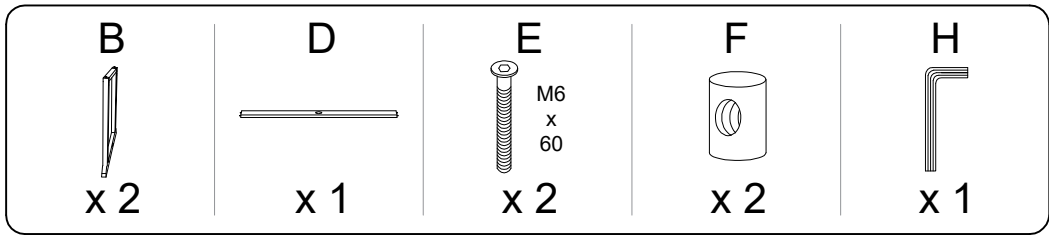


Assembly instructions for step 1/4:

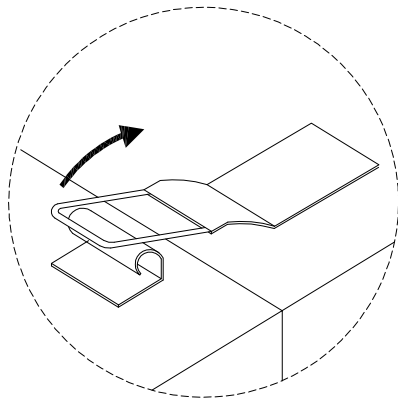
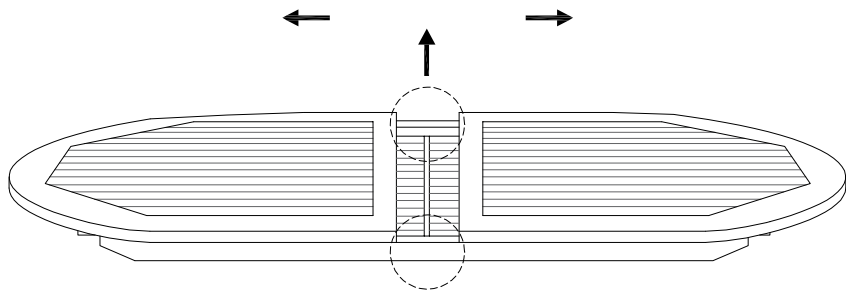
- Tools:** An icon in a circle shows an L-shaped Allen key and a screwdriver. A power drill is shown with a diagonal line through it, indicating it should not be used.
- Warning:** A triangle with an exclamation mark indicates a warning.
- Time:** A clock icon with the number 30' below it indicates the estimated assembly time is 30 minutes.
- Personnel:** An icon of a person with the number 1 below it indicates that one person is required for assembly.



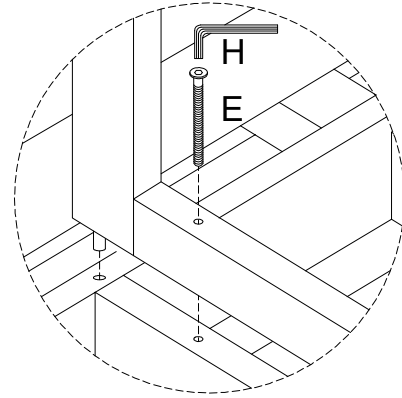
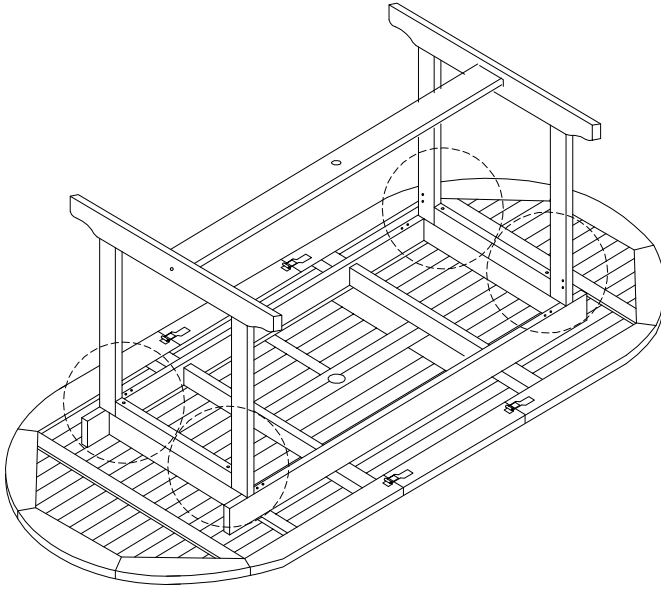
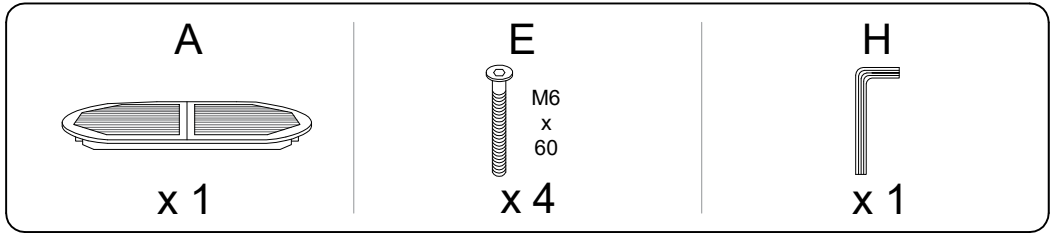
1



!



2



3

