



## Servo-assisted 2/2 way diaphragm valve

- Servo-assisted diaphragm with diameter of up to DN40
- Spring coupled diaphragm opens without differential pressure
- Damped design for quiet closing
- Compact construction with high flow rate
- Energy-saving double coil technology with kick and drop design



Product variants described in the data sheet may differ from the product presentation and description.

### Can be combined with

	<b>Type 2518</b> Cable Plug DIN EN 175301 - 803 - Form A	▶
	<b>Type 2513</b> Cable plug acc. to DIN EN 175301 - 803 Form A	▶
	<b>Type 1087</b> Timer	▶

### Type description

The 6213 EV valve is a servo-assisted solenoid valve of the S.EV series. The spring coupling of the diaphragm supports the opening process of the valve. In its standard version, the valve is suitable for use in liquids. A minimum differential pressure is required for complete opening. A special version (HP00) which opens the valve without differential pressure is available for gas and vacuum applications. Various diaphragm material combinations are available depending on the application. The standard brass housing satisfies all European drinking water requirements. Dezincification-resistant brass is available for other markets. The housing offering is rounded off with a stainless steel version. To reduce power consumption in operation, coils with "Kick and Drop" (KD) electronics (double coil technology) are available. In combination with a plug in accordance with DIN EN 175301-803 Form A, the valves satisfy protection class IP65 – in combination with a stainless steel housing NEMA 4X.

## Table of contents

<b>1. General technical data</b>	<b>3</b>
<b>2. Circuit functions</b>	<b>4</b>
<b>3. Materials</b>	<b>4</b>
3.1. Chemical Resistance Chart – Bürkert resistApp.....	4
3.2. Material specifications .....	4
<b>4. Dimensions</b>	<b>5</b>
4.1. Standard version in brass and stainless steel .....	5
4.2. Gunmetal version with external thread .....	6
4.3. Coil dimension .....	7
4.4. Explosion-proof version ATEX + IECEx .....	8
<b>5. Performance specifications</b>	<b>9</b>
5.1. Power consumption .....	9
<b>6. Ordering information</b>	<b>9</b>
6.1. Bürkert eShop – Easy ordering and quick delivery.....	9
6.2. Bürkert product filter .....	9
6.3. Ordering chart.....	10
Valves with brass body .....	10
HP00 version valves with brass body .....	11
Valves with stainless steel body .....	11
HP00 version valves with stainless steel .....	12
Valves with gunmetal housing with external thread.....	13
6.4. Ordering chart accessories.....	14
Cable plug Type 2518, form A acc. to DIN EN 175301 -803 .....	14
Cable plug Type 2513, form A acc. to DIN EN 175301 -803 .....	14
Timer Type 1087, form A acc. to DIN EN 175301 -803 .....	14

## 1. General technical data

Product properties	
<b>Materials</b>	
Body	Brass acc. to DIN EN 50930-6 Stainless steel 1.4408 Gunmetal (external thread) DN10...DN20
Coil	Polyamide, epoxy (insulation class H)
Seal	NBR, FKM, EPDM
Inner part of valve	Brass body: Brass, stainless steel and PPS Stainless steel body: Stainless steel and PPS Gunmetal body: Stainless steel and PPS (external thread) DN10...DN20
Orifice	Standard: DN10...DN40 HP00: DN13...DN20
Electrical data	
Voltage tolerance	± 10 %
Voltages	Standard: 024/DC, 024/50, 230/50, 110/50, 120/60 HP00: 24 V (50...60 Hz), 230 V (50...60 Hz)
Performance data	
Duty cycle	100 % continuous rating; KD coil; max. rating 6 circuit switches/minute
<b>Response times<sup>1.)</sup> AC / DC</b>	
DN10...DN13	Opening: 10...100 ms Closing: 100...200 ms
DN20	Opening: 200...300 ms Closing: 400...700 ms
DN25...DN40	Opening: 300...400 ms Closing: 800...1400 ms
Power consumption	Depending on orifice and coil size For detailed information, see <a href="#">"5. Performance specifications" on page 9</a>
Medium data	
<b>Medium</b>	
NBR	Neutral fluids, water, hydraulic oil, oil without additives
FKM	Per-solutions, hot oils with additives
EPDM	Oil and fat-free fluids and gases
<b>Medium temperature</b>	
NBR	- 10 °C... +80 °C
FKM	0 °C... +90 °C with polyamide coil 0 °C... +120 °C with epoxy coil
EPDM	-30 °C... +90 °C with polyamide coil -30 °C... +100 °C with epoxy coil
Viscosity	Max. 21 mm <sup>2</sup> /s
Approvals and certificates	
Protection class	IP65 with cable plug and cable connection IP65 with terminal box (further versions on request)
Product connections	
Electrical connection	Tag connector acc. to DIN EN 175 301 - 803 Form A (see <a href="#">"6.4. Ordering chart accessories" on page 14</a> )
Environment and installation	
Installation	As required, preferably with actuator upright
Ambient temperature	Max. +55 °C

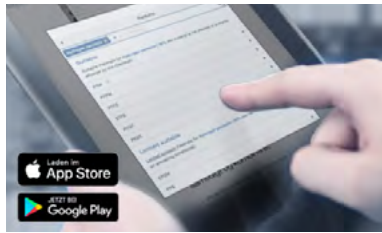
1.) Measurement with water at valve outlet 6 bar and +20 °C. Opening: Pressure build-up 0 to 90 %, Closing: Pressure drop 100 to 10

## 2. Circuit functions

Circuit functions	Description
	<b>Type: A, solenoid valve</b> 2/2 way Servo-controlled Normally closed

## 3. Materials

### 3.1. Chemical Resistance Chart – Bürkert resistApp



#### Bürkert resistApp – Chemical Resistance Chart

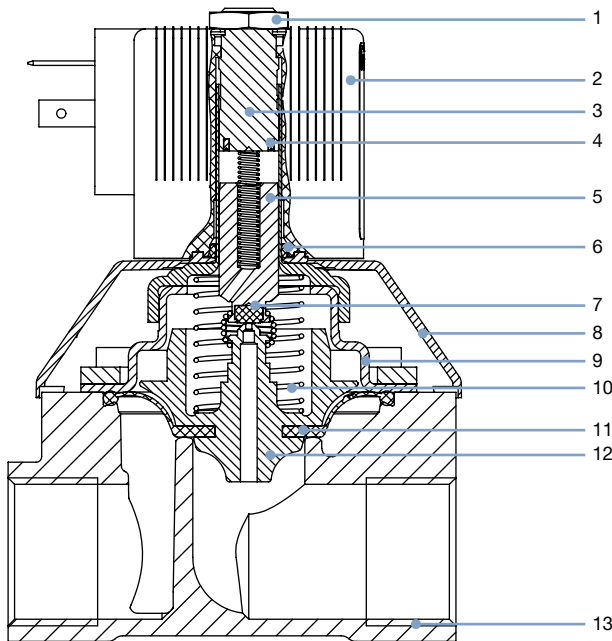
You want to ensure the reliability and durability of the materials in your individual application case? Verify your combination of media and materials on our website or in our resistApp.

[Start Chemical Resistance Check](#)

### 3.2. Material specifications

**Note:**

The sectional view shown corresponds to the standard version. For other versions and nominal diameters, the sectional view varies.



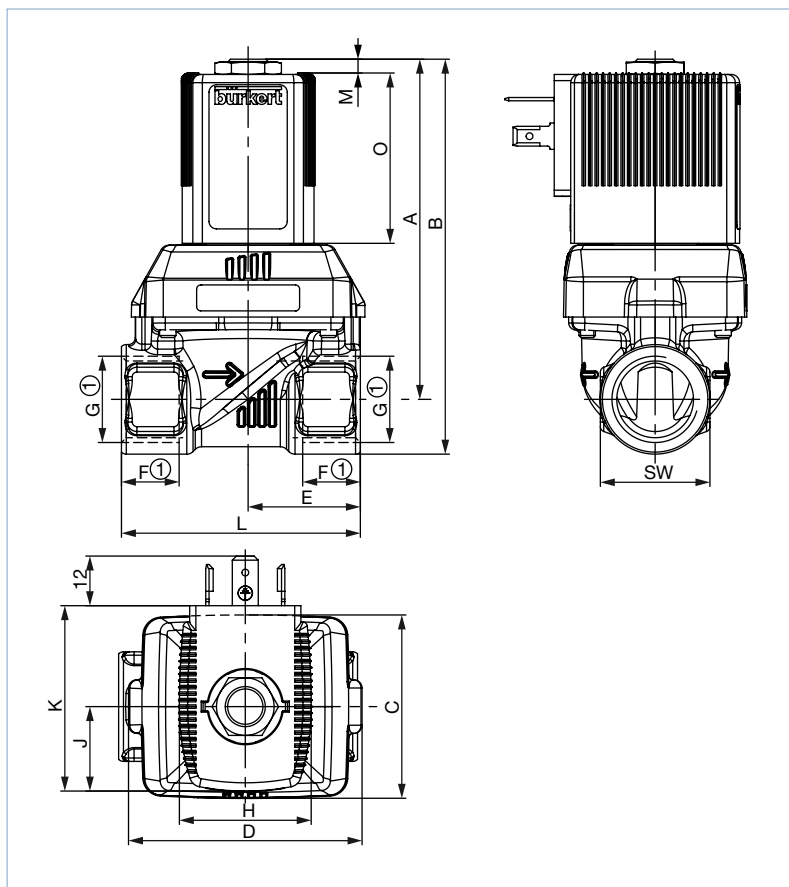
No.	Element	Material
1	Locknut	Steel (surface thick-film passivated acc. to RoHS) Stainless steel 1.4305, PTFE coated
2	Coil	Polyamide or Epoxy
3	Stopper	Stainless steel 1.4113
4	Shading ring (only AC version)	with Brass body: Copper (Cu) with Stainless steel body: Silver (Ag)
5	Magnetic core	Stainless steel 1.4113
6	O-Ring	FKM
7	Plunger seal	NBR, FKM, EPDM
8	Bonnet	PA6
9	Cover	DN10...DN25: Stainless steel 1.4301 DN40: Brass, stainless steel 1.4408
10	Spring	Stainless steel 1.4310
11	Diaphragm	NBR, FKM, EPDM
12	Diaphragm support	PPSGF40 in combination with brass and accordingly stainless steel parts
13	Valve body	Brass, stainless steel 1.4408 Gunmetal with external thread

## 4. Dimensions

### 4.1. Standard version in brass and stainless steel

**Note:**

- Dimensions in mm
- The dimensions F1 and G 1 apply to G-threads
- The dimensions F2 and G 2 apply to NPT-threads
- The dimensions F3 and G 3 apply to RC-threads



DN	A	B	C	D	E (MS/VA)	G		NPT		Rc		L (MS/VA)	SW	Coil size
						F1	G 1	F2	G 2	F3	G 3			
10	71.1	82.1	36	46	22	12	G ¼	10.0	NPT ¼	-	-	50	22	5 and 6
					24.5	14	G ⅜	10.3	NPT ⅜	10.1	Rc ⅜		27	
10 <sup>1)</sup>	73.1	86.6										50		
10 <sup>2)</sup>												55		
13 <sup>1)</sup>	82.6	95.9	44.5	56.7	27.25	14	G ½	13.7	NPT ½	13.2	Rc ½	58	27	5 and 6
13 <sup>2)</sup>					32.5								65	
13	84.6	100.6			32.5	16	G ¾	14	NPT ¾	14.5	Rc ¾	65	32	
20	97.1	113.1	65	76.6	37	16	G ¾	14	NPT ¾	14.5	Rc ¾	80	32	5 and 6
20	99.6	120.1			37.5	18	G 1	16.8	NPT 1	16.8	Rc 1	80	41	
13 <sup>1)</sup>	109.3	122.8	44.5	56	27.25	14	G ½	13.7	NPT ½	13.2	Rc ½	58	27	K and L
13 <sup>2)</sup>					32.5								65	
13	111.3	127.3			32.5	16	G ¾	14	NPT ¾	14.5	Rc ¾	65	32	
20	123.9	139.9	65	76.6	37	16	G ¾	14	NPT ¾	14.5	Rc ¾	80	32	K and L
20	126.4	146.9			37.5	18	G 1	16.8	NPT 1	16.8	Rc 1	80	41	
25	143.4	163.4	77	88	46	18	G 1	16.8	NPT 1	16.8	Rc 1	95	41	K and L
25	148.3	173.3			46	20	G 1¼	17.3	NPT 1¼	19.1	Rc 1¼	95	50	

DTS 1000115690 EN Version: W Status: RL (released | freigegeben | valide) printed: 03.08.2020

DN	A	B	C	D	E (MS/VA)	G		NPT		Rc		L (MS/VA)	SW	Coil size
						F1	G 1	F2	G 2	F3	G 3			
40 <sup>1.)</sup>	153.9	178.9	104.5	117	61	20	G 1¼	17.3	NPT 1¼	19.1	Rc 1¼	126	50	K and L
40	159.4	189.4			61	22	G 1½	17.3	NPT 1½	19.1	Rc 1½	126	60	
40	165.4	200.4			64	24	G 2	17.6	NPT 2	23.4	Rc 2	132	70	

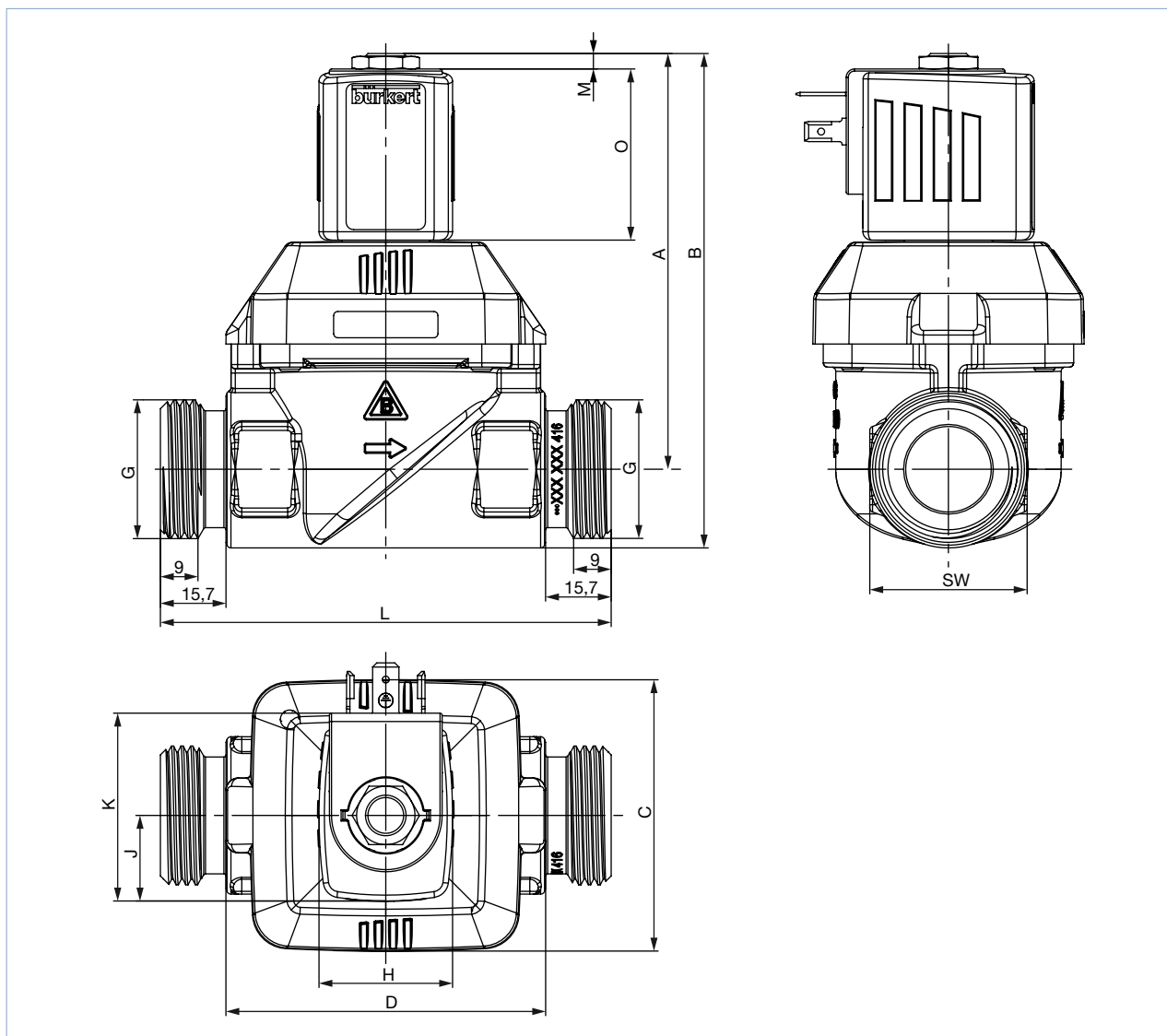
1.) only as brass thread port version

2.) only as stainless steel thread port version

#### 4.2. Gunmetal version with external thread

**Note:**

Dimensions in mm



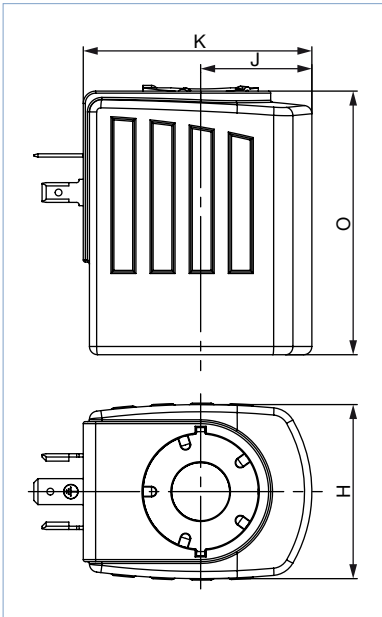
DN	A	B	C	D	G	L	SW	Coil size
10	73.1	86.1	36	46	G ½	80	26	5 and 6
13	84.6	100.6	44.5	56.7	G ¾	89	32	5 and 6
20	99.6	118.5	65	76.6	G 1	108	37.7	5 and 6
13	104.3	120.3	44.5	56.7	G ¾	89	32	K and L
20	119.3	139.8	36	76.6	G 1	108	37.7	K and L

DTS 1000115690 EN Version: W Status: RL (released | freigegeben | valide) printed: 03.08.2020

### 4.3. Coil dimension

**Note:**

Dimensions in mm

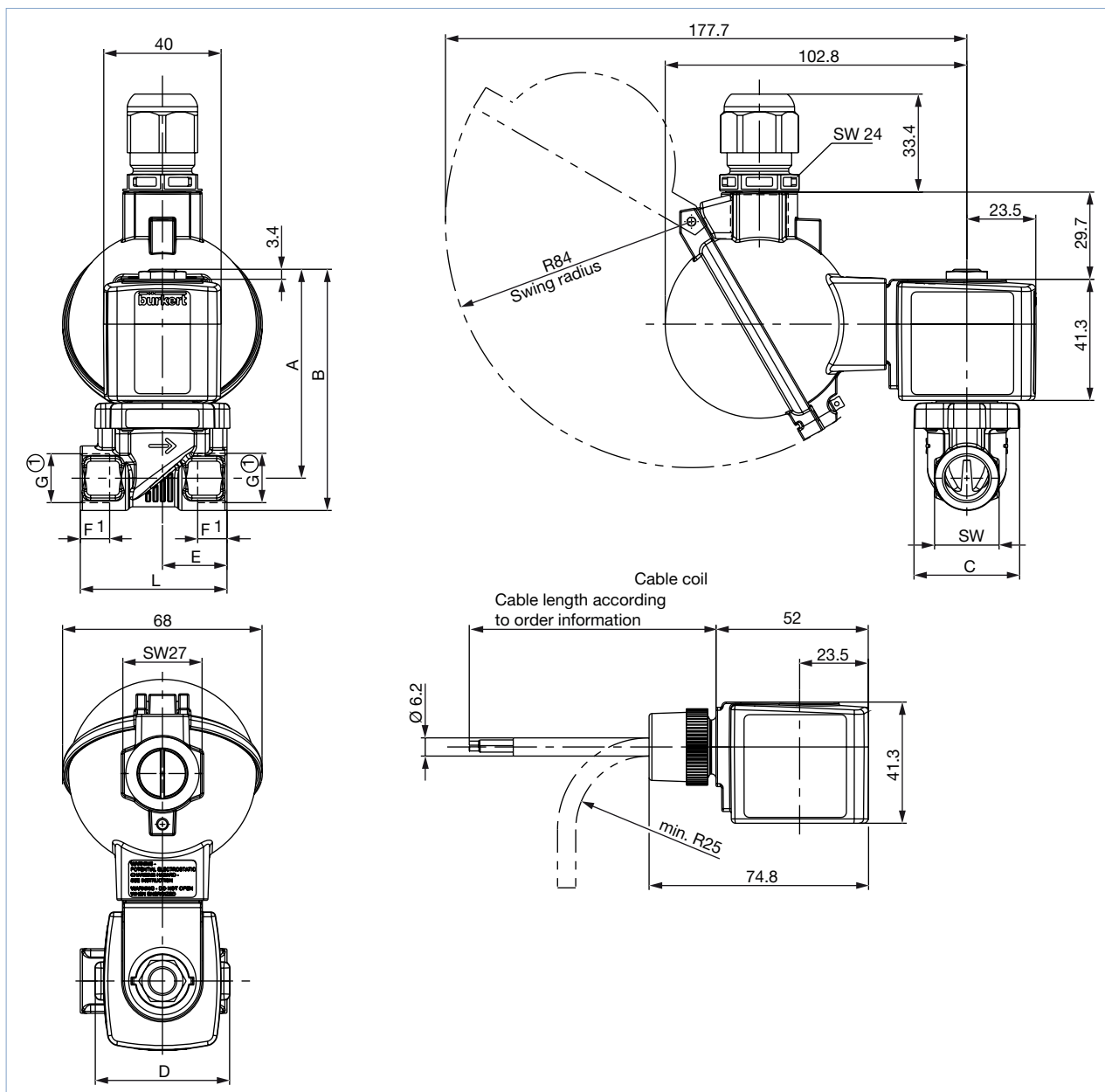


Coil size	H	J	K	O	M
5	32	20.5	45	41	3.4
6	40	23.5	51	41	3.4
K	42	27	55.5	64	7
L	65	37.5	72	64	7

#### 4.4. Explosion-proof version ATEX + IECEx

**Note:**

Coil with terminal box and cable gland or coil with cable connection on request.



DN	A	B	C	D	E	G		NPT		Rc		L	SW
						F1	G 1	F2	G 2	F3	G 3		
10	71.2	82.2	36	45.6	22	12	G ¼	10	NPT ¼	-	-	50	22
	73.2	86.7			24.5	14	G ½	13.7	NPT ½	13.2	Rc ½		27
13	82.7	96	44.5	56.7	27.25	14	G ½	13.7	NPT ½	13.2	Rc ½	58	27
	84.7	100.7			32.5							65	
	20	97.2			113.2	65	76.6	37	16	G ¾	14	NPT ¾	14.5
	99.7	120.2			37.5	18	G 1	16.8	NPT 1	16.8	Rc 1	80	41

DTS 1000115690 EN Version: W Status: RL (released | freigegeben | valide) printed: 03.08.2020

## 5. Performance specifications

### 5.1. Power consumption

Nominal size	Coil size		AC			DC		KD coil AC/DC <sup>2)</sup>		
			Inrush	Hold		Cooling capacity	Heat performance	AC	DC	AC/DC
[mm]	[mm]	SG	[VA]	[VA]	[W]	[W]	[W]	Cooling capacity <sup>1)</sup> Inrush (500 ms)	Cooling capacity <sup>1)</sup> Hold	Heat performance Hold
10	32	5	34	14	8	–	–	–	–	–
10	40	6	–	–	10	11	10	–	–	–
13	32	5	36	14	8	–	–	–	–	–
13	40	6	–	–	10	11	10	–	–	–
13	42	K	125	37	16	21	16	44	6.5	5.5
20	32	5	38	14	8	–	–	–	–	–
20	40	6	–	–	10	11	10	–	–	–
20	42	K	140	37	16	21	16	44	6.5	5.5
25	42	K	150	37	16	–	–	85	8.5	7
25	65	L	–	–	–	28	21	–	–	–
40	42	K	190	37	16	–	–	85	8.5	7
40	65	L	–	–	–	28	21	–	–	–

1.) Cooling capacity at coil temperature 20 °C

2.) "Kick and Drop" coil (KD coil): Coil with energy-saving "Kick and Drop" electronics in double coil technology

## 6. Ordering information

### 6.1. Bürkert eShop – Easy ordering and quick delivery



#### Bürkert eShop – Easy ordering and fast delivery

You want to find your desired Bürkert product or spare part quickly and order directly? Our online shop is available for you 24/7. Sign up and enjoy all the benefits.

[Order online now](#)

### 6.2. Bürkert product filter



#### Bürkert product filter – Get quickly to the right product

You want to select products comfortably based on your technical requirements? Use the Bürkert product filter and find suitable articles for your application quickly and easily.

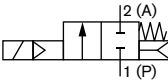
[Try out our product filter](#)

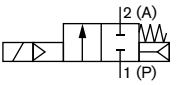
## 6.3. Ordering chart

## Valves with brass body

## Note:

- Please note that the cable plug has to be ordered separately, see “6.4. Ordering chart accessories” on page 14 or separate datasheet **Type 2518** ▶.
- Further versions on request

Circuit function	Port connection	Orifice	K <sub>v</sub> value	Pressure	Weight	Article no. per voltage/frequency [V/Hz]		
		[mm]	Water <sup>1.) 2.)</sup> [m <sup>3</sup> /h]	range <sup>3.)</sup> [bar]	(DC) <sup>4.)</sup> [kg]	024/DC	024/50	230/50
<b>DN10...DN40</b>								
<b>A, solenoid valve</b> 2/2 way Servo-controlled Normally closed 	<b>NBR Diaphragm, polyamide coil, medium temperature - 10... + 80 °C</b>							
	G ¼	10	1.3	0...10	0.3 (0.5)	221674	221675	221677
	G ⅜	10	1.9	0...10	0.3 (0.5)	221598	221599	221601
	G ½	10	1.9	0...10	0.4 (0.5)	221606	221607	221609
	G ½	13	3.6	0...10	0.4 (0.5)	221602	221603	221605
	G ¾	13	3.6	0...10	0.5 (0.6)	221618	221619	221621
	G ¾	20	8.3	0...10	0.7 (0.8)	221630	221631	221633
	G 1	20	8.3	0...10	0.9 (1.0)	221634	221635	221637
	<b>NBR Diaphragm, epoxy coil, medium temperature - 10... + 80 °C</b>							
	G 1	25	11	0...10	1.6 (2.2)	227533	221725	221728
	G 1¼	25	11	0...10	1.7 (2.3)	227534	221729	221732
	G 1¼	40	23	0...10	2.9 (3.4)	270903	270895	270899
	G 1½	40	30	0...10	3.2 (3.7)	227539	221750	221753
	G 2	40	30	0...10	3.4 (3.9)	227541	221754	221757
	<b>FKM Diaphragm, epoxy coil, medium temperature 0... + 120 °C</b>							
	G ¼	10	1.3	0...10	0.3 (0.5)	221678	221679	221681
	G ⅜	10	1.9	0...10	0.3 (0.5)	221610	221611	221613
	G ½	10	1.9	0...10	0.4 (0.5)	221614	221615	221617
	G ½	13	3.6	0...10	0.4 (0.5)	221622	221623	221625
	G ¾	13	3.6	0...10	0.5 (0.6)	221626	221627	221629
	G ¾	20	8.3	0...10	0.7 (0.8)	221638	221639	221641
	G 1	20	8.3	0...10	0.9 (1.0)	221642	221643	221645
	G 1	25	11	0...10	1.6 (2.2)	227537	221733	221736
	G 1¼	25	11	0...10	1.7 (2.3)	227538	221737	221740
	G 1¼	40	23	0...10	2.9 (3.4)	270905	270906	270908
	G 1½	40	30	0...10	3.2 (3.7)	227544	227724	227726
	G 2	40	30	0...10	3.4 (3.9)	227545	227728	227730
<b>EPDM Diaphragm, polyamide coil, medium temperature - 30... + 90 °C</b>								
G ¼	10	1.3	0...10	0.3 (0.4)	221670	221671	221673	
G ⅜	10	1.9	0...10	0.3 (0.4)	221646	221647	221649	
G ½	10	1.9	0...10	0.4 (0.5)	221650	221651	221653	
G ½	13	3.6	0...10	0.4 (0.5)	221654	221655	221657	
G ¾	13	3.6	0...10	0.5 (0.6)	221658	221659	221661	
G ¾	20	8.3	0...10	0.7 (0.8)	221662	221663	221665	
G 1	20	8.3	0...10	0.9 (1.0)	221666	221667	221669	

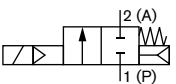
Circuit function	Port connection	Orifice	K <sub>v</sub> value Water <sup>1.) 2.)</sup>	Pressure range <sup>3.)</sup>	Weight (DC) <sup>4.)</sup>	Article no. per voltage/frequency [V/Hz]		
		[mm]	[m <sup>3</sup> /h]	[bar]	[kg]	024/DC	024/50	230/50
<b>A, solenoid valve</b> 2/2 way Servo-controlled Normally closed 	<b>EPDM Diaphragm, epoxy coil, medium temperature - 30... + 100 °C</b>							
	G 1	25	11	0...10	1.6 (2.2)	227535 ☒	221717 ☒	221720 ☒
	G 1¼	25	11	0...10	1.7 (2.3)	227536 ☒	221721 ☒	221724 ☒
	G 1¼	40	23	0...10	2.9 (3.4)	270904 ☒	270890 ☒	270894 ☒
	G 1½	40	30	0...10	3.2 (3.7)	227542 ☒	221741 ☒	221745 ☒
G 2	40	30	0...10	3.4 (3.9)	227543 ☒	221746 ☒	221749 ☒	

- 1.) Measured at +20 °C, 1 bar<sup>2.)</sup> pressure at valve inlet and free outlet
- 2.) A minimum differential pressure of 0.5 bar is required for full (100 %) opening
- 3.) Pressure data [bar]: Overpressure with respect to atmospheric pressure
- 4.) The values in brackets regarding the weight apply to the DC version
- 5.) Approved for drinking water according to KTW and W270

### HP00 version valves with brass body

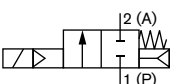
#### Note:

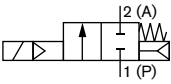
Preferably used for gas and vacuum applications as well as for liquids with increased flow and tightness requirements at low differential pressure.

Circuit function	Port connection	Orifice	K <sub>v</sub> value Water <sup>1.)</sup>	Pressure range <sup>3.)</sup>	Weight (DC)	Article no. per voltage/frequency [V/Hz]		
		[mm]	[m <sup>3</sup> /h]	[bar]	[kg]	024/DC	024/50-60	230/50-60
<b>DN13...DN20</b>								
<b>A, solenoid valve</b> 2/2 way Servo-controlled Normally closed 	<b>Brass body, FKM Diaphragm, epoxy coil, medium temperature 0... + 120 °C</b>							
	G ½	13	3.6	0...10	0.8	221706 ☒	221705 ☒	231574 ☒
	G ¾	20	8.3	0...10	1.3	221712 ☒	221711 ☒	221713 ☒
	G 1	20	8.3	0...10	1.4	221715 ☒	221714 ☒	221716 ☒
	<b>Brass body, EPDM Diaphragm, epoxy coil, medium temperature - 30... + 100 °C</b>							
G ½	13	3.6	0...10	0.8	221694 ☒	221693 ☒	221695 ☒	
G ¾	20	8.3	0...10	1.3	208422 ☒	221699 ☒	189592 ☒	
G 1	20	8.3	0...10	1.4	221703 ☒	221702 ☒	221704 ☒	

- 1.) Measured at +20 °C, 1 bar<sup>2.)</sup> pressure at valve inlet and free outlet
- 3.) Pressure data [bar]: Overpressure with respect to atmospheric pressure

### Valves with stainless steel body

Circuit function	Port connection	Orifice	K <sub>v</sub> value Water <sup>1.) 2.)</sup>	Pressure range <sup>3.)</sup>	Weight (DC) <sup>4.)</sup>	Article no. per voltage/frequency [V/Hz]		
		[mm]	[m <sup>3</sup> /h]	[bar]	[kg]	024/DC	024/50	230/50
<b>DN10...DN40</b>								
<b>A, solenoid valve</b> 2/2 way Servo-controlled Normally closed 	<b>NBR Diaphragm, polyamide coil, medium temperature - 10... + 80 °C</b>							
	G ¾	10	1.9	0...10	0.3 (0.4)	222150 ☒	222151 ☒	222152 ☒
	G ½	13	3.6	0...10	0.4 (0.5)	222156 ☒	222157 ☒	222158 ☒
	G ¾	20	8.3	0...10	0.7 (0.8)	222168 ☒	222169 ☒	222170 ☒
	G 1	20	8.3	0...10	0.9 (1.0)	222171 ☒	222172 ☒	222173 ☒
<b>NBR Diaphragm, epoxy coil, medium temperature - 10... + 80 °C</b>								
G 1	25	11	0...10	1.6 (2.2)	227546 ☒	228429 ☒	222193 ☒	
G 1¼	25	11	0...10	1.7 (2.3)	227547 ☒	228432 ☒	222197 ☒	
G 1½	40	30	0...10	3.2 (3.7)	227552 ☒	228435 ☒	222201 ☒	
G 2	40	30	0...10	3.4 (3.9)	227554 ☒	228438 ☒	222205 ☒	

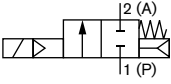
Circuit function	Port connection	Orifice	K <sub>v</sub> value	Pressure	Weight	Article no. per voltage/frequency [V/Hz]		
		[mm]	Water <sup>1.) 2.)</sup> [m <sup>3</sup> /h]	range <sup>3.)</sup> [bar]	(DC) <sup>4.)</sup> [kg]	024/DC	024/50	230/50
<b>A, solenoid valve</b> 2/2 way Servo-controlled Normally closed 	<b>FKM Diaphragm, epoxy coil, medium temperature 0... + 120 °C</b>							
	G 3/8	10	1.9	0...10	0.3 (0.4)	221758	221759	221761
	G 1/2	13	3.6	0...10	0.4 (0.5)	221762	221763	221765
	G 3/4	20	8.3	0...10	0.7 (0.8)	222122	222123	222125
	G 1	20	8.3	0...10	0.9 (1.0)	222126	222127	222129
	G 1	25	11	0...10	1.6 (2.2)	227550	228430	222143
	G 1 1/4	25	11	0...10	1.7 (2.3)	227551	228433	222145
	G 1 1/2	40	30	0...10	3.2 (3.7)	227557	228436	222147
	G 2	40	30	0...10	3.4 (3.9)	227558	228439	222149
	<b>EPDM Diaphragm, polyamide coil, medium temperature -30... + 90 °C</b>							
	G 3/8	10	1.9	0...10	0.3 (0.4)	222153	222154	222155
	G 1/2	13	3.6	0...10	0.4 (0.5)	222159	222160	222161
	G 3/4	20	8.3	0...10	0.7 (0.8)	222174	222175	222176
	G 1	20	8.3	0...10	0.9 (1.0)	222177	222178	222179
	<b>EPDM Diaphragm, epoxy coil, medium temperature -30... + 100 °C</b>							
	G 1	25	11	0...10	1.6 (2.2)	227548	228431	222195
	G 1 1/4	25	11	0...10	1.7 (2.3)	227549	228434	222199
	G 1 1/2	40	30	0...10	3.2 (3.7)	227555	228437	222203
	G 2	40	30	0...10	3.4 (3.9)	227556	228440	222207

- 1.) Measured at +20 °C, 1 bar<sup>2.)</sup> pressure at valve inlet and free outlet.
- 2.) A minimum differential pressure of 0.5 bar is required for full (100 %) opening.
- 3.) Pressure data [bar]: Overpressure with respect to atmospheric pressure.
- 4.) The values in brackets regarding the weight apply to the DC version.

**HP00 version valves with stainless steel**

**Note:**

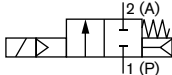
Preferably used for gas and vacuum applications as well as for liquids with increased flow and tightness requirements at low differential pressure.

Circuit function	Port connection	Orifice [mm]	K <sub>v</sub> value Water [m <sup>3</sup> /h] <sup>1.)</sup>	Pressure range [bar] <sup>3.)</sup>	Weight [kg] (DC)	Article no. per voltage/frequency [V/Hz]		
						024/DC	024/50-60	230/50-60
<b>DN10...DN40</b>								
<b>A, solenoid valve</b> 2/2 way Servo-controlled Normally closed 	<b>FKM Diaphragm, epoxy coil, medium temperature 0... + 120 °C</b>							
	G 1/2	13	3.6	0...10	0.8	208694	220585	205351
	G 3/4	20	8.3	0...10	1.3	222137	222136	222138
	G 1	20	8.3	0...10	1.4	222140	222139	222141
	<b>EPDM Diaphragm, epoxy coil, medium temperature -30... + 100 °C</b>							
	G 1/2	13	3.6	0...10	0.8	213132	222166	220584
	G 3/4	20	8.3	0...10	1.3	222186	222187	222188
	G 1	20	8.3	0...10	1.4	222189	222190	222191







- 1.) Measured at +20 °C, 1 bar<sup>2.)</sup> pressure at valve inlet and free outlet.
- 3.) Pressure data [bar]: Overpressure with respect to atmospheric pressure.

DTS 1000115690 EN Version: W Status: RL (released) | freigegeben | validé | printed: 03.08.2020

Valves with gunmetal housing with external thread

Circuit function	Port connection	Orifice [mm]	K <sub>v</sub> value Water [m <sup>3</sup> /h] <sup>1.) 2.)</sup>	Pressure range [bar] <sup>3.)</sup>	Weight [kg] (DC) <sup>4.)</sup>	Article no. per voltage/frequency [V/Hz]		
						024/DC	024/50	230/50
<b>Standard version, EPDM Diaphragm, epoxy coil, medium temperature - 30... + 100°C<sup>5.)</sup></b>								
<b>A, solenoid valve</b> 2/2 way Servo-controlled Normally closed  	G ½	10	1.9	0...10	0.4	311670	311674	311679
	G ¾	13	3.6	0...10	0.6	311681	311684	311688
	G 1	20	8.3	0...10	1.1	311691	311693	311696
<b>HP00 version, EPDM Diaphragm, epoxy coil, medium temperature - 30... + 100°C<sup>5.)</sup></b>								
	G ¾	13	3.6	0...10	0.6	312248	312249	312250
	G 1	20	8.3	0...10	1.3	312247	312244	312246

- 1.) Measured at +20 °C, 1 bar<sup>2.)</sup> pressure at valve inlet and free outlet.
- 2.) A minimum differential pressure of 0.5 bar is required for full (100 %) opening.
- 3.) Pressure data [bar]: Overpressure with respect to atmospheric pressure.
- 4.) The values in brackets regarding the weight apply to the DC version.
- 5.) Approved for drinking water according to KTW and W270

Further versions on request	
 <b>Process connection</b> NPT, Rc, welded connection	 <b>Approval</b> <ul style="list-style-type: none"> <li>Drinking water approval acc. to KTW/W270 (PF23)</li> <li>VDE Approval acc. to DIN EN 60730 (VDE0631) (PW01/PW02)</li> <li>Watermark Licence (PF20)</li> <li>UL(UL-listed) approval (MH10753) (PE95)</li> <li>UR(UL-recognized) approval (PE94)</li> <li>NEMA 250 Type 4X</li> <li>WRAS approval (PD23) (DN10, DN13, DN20) (PD23)</li> <li>Safety shut-off valve for combustion facilities according to DIN EN ISO 23553-1 (PD22)</li> </ul> Orifice 10/13/20 in brass and stainless steel is also available in explosion proof version Explosion proof approvals (NA10+PX58): <ul style="list-style-type: none"> <li>ATEX:                             <ul style="list-style-type: none"> <li>– EPS 18 ATEX 1 232 X</li> <li>– II 2G Ex mb IIC T4 Gb</li> <li>– II 2D Ex mb IIIC T130°C Db</li> </ul> </li> <li>IECEx:                             <ul style="list-style-type: none"> <li>– IECEx EPS 18.0110X</li> <li>– Ex mb IIC T4 Gb</li> <li>– Ex mb IIIC T130°C Db</li> </ul> </li> </ul>
 <b>Temperature</b> Special temperature ranges	
 <b>Voltage</b> Further Voltages available	
 <b>Material</b> <ul style="list-style-type: none"> <li>Brass dezincification resistant (MZ)</li> <li>Nickel-plated brass (5 µm) (AF43)</li> <li>Gunmetal with external thread (DN10, DN13, DN20)</li> </ul>	
 <b>Coil</b> Kick and Drop version: Coil with energy-saving “Kick and Drop” (KD) electronics in double-coil technology (CZ05)	


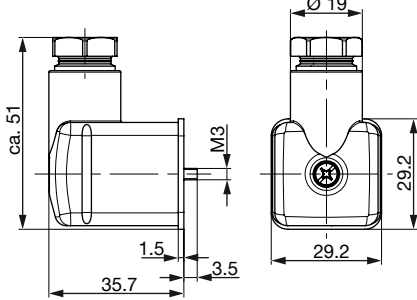
DTS 1000115690 EN Version: W Status: RL (released | freigegeben | valide) printed: 03.08.2020

### 6.4. Ordering chart accessories

#### Cable plug Type 2518, form A acc. to DIN EN 175301 -803

**Note:**


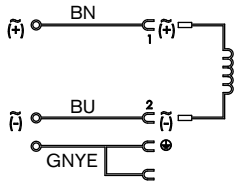
For other versions see data sheet **Type 2518** ▶.

Cable plug	Dimensions	Version	Voltage	Article no.
		Without circuitry (AC/DC)	0...250 V AC/DC	314802
		With LED (AC/DC)	12...24 V AC/DC	314812
		With LED and varistor (AC/DC)	12...24 V AC/DC	314820
		With rectifier, LED and varistor	12...24 V AC/DC	314816

#### Cable plug Type 2513, form A acc. to DIN EN 175301 -803

**Note:**



- The Cable plug Type 2513 meets the requirements of ATEX category 3 GD.
- For more information on the cable plug, see data sheet **Type 2513** ▶.

Cable plug	circuit diagram	Cable length [mm]	Article no.
		12000	260893
		5000	260892
		3000	260891
		300	260890

#### Timer Type 1087, form A acc. to DIN EN 175301 -803

**Note:**

For more information on the timer, see data sheet **Type 1087** ▶.

Timer	Approval	Product code	Voltage range	Article no.
	-	1087-A-BCH-UC-28	10...30 V AC/DC	348828
	-	1087-A-BDK-UC-28	24...240 V AC/DC	348829
	cURus	1087-A-BCH-UC-28*PU01	10...30 V AC/DC	348906
	cURus	1087-A-BDK-UC-28*PU01	24...240 V AC/DC	348907
	-	1087-A-BFW-UC-29	10...48 V AC/DC	348830
	-	1087-A-BDX-UC-29	110...240 V AC/DC	348831
	cURus	1087-A-BFW-UC-29*PU01	10...48 V AC/DC	348908
	cURus	1087-A-BDX-UC-29*PU01	110...240 V AC/DC	348909

# Bürkert – Close to You

For up-to-date addresses  
please visit us at  
[www.burkert.com](http://www.burkert.com)

DTS 1000115690 EN Version: W Status: RL (released | freigegeben | validé) printed: 03.08.2020

