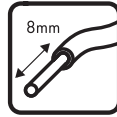
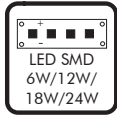
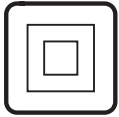


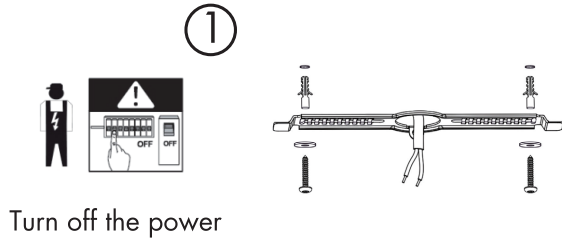
# INSTRUCTION MANUAL



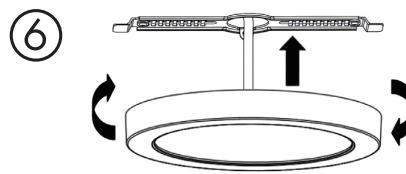
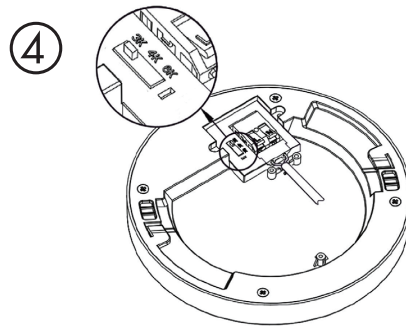
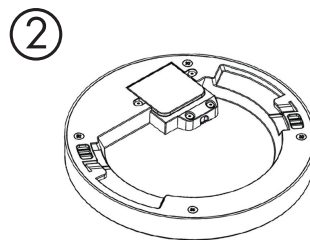
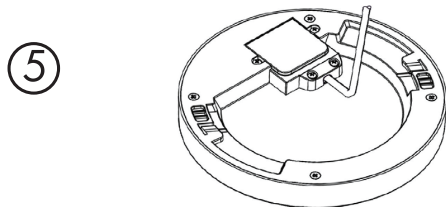
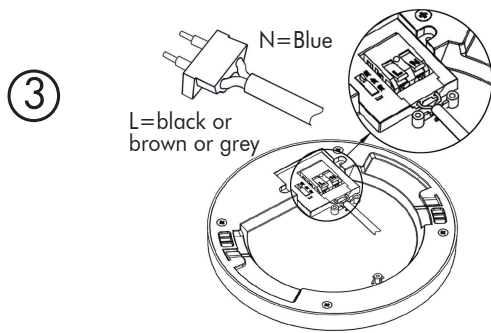
105156 Trans DL 14 White Incl.LED CCT  
105158 Trans DL 22 White Incl.LED CCT

105157 Trans DL 18 White Incl.LED CCT  
105159 Trans DL 30 White Incl.LED CCT

## Surface mounting installation



Turn off the power

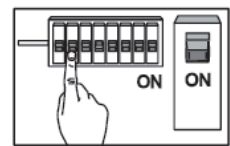


PANEL LIGHT 105156  
incl.LED QL7001145  
650lm Module  
450lm Lamp  
6W LED  
220-240V~50Hz  
3000K/4000K/6500K  
Selectable  
CRI>80  
30000 h  
15000 ON/OFF

PANEL LIGHT 105157  
incl.LED QL7001162  
1200lm Module  
960lm Lamp  
12W LED  
220-240V~50Hz  
3000K/4000K/6500K  
Selectable  
CRI>80  
30000 h  
15000 ON/OFF

PANEL LIGHT 105158  
incl.LED QL7001164  
1850lm Module  
1440lm Lamp  
18W LED  
220-240V~50Hz  
3000K/4000K/6500K  
Selectable  
CRI>80  
30000 h  
15000 ON/OFF

PANEL LIGHT 105159  
incl.LED QL7001165  
2500lm Module  
1920lm Lamp  
24W LED  
220-240V~50Hz  
3000K/4000K/6500K  
Selectable  
CRI>80  
30000 h  
15000 ON/OFF



Turn on the power

Step 1: Draw the boreholes in the appropriate places, drill the holes and insert the dowels. Used on Suitable material such as wooden walls or lightweight walls. The metal holder with the 2 screws and the 2 washers screw on.

Step 2: Open the lid of the connection box on the back of the luminaire

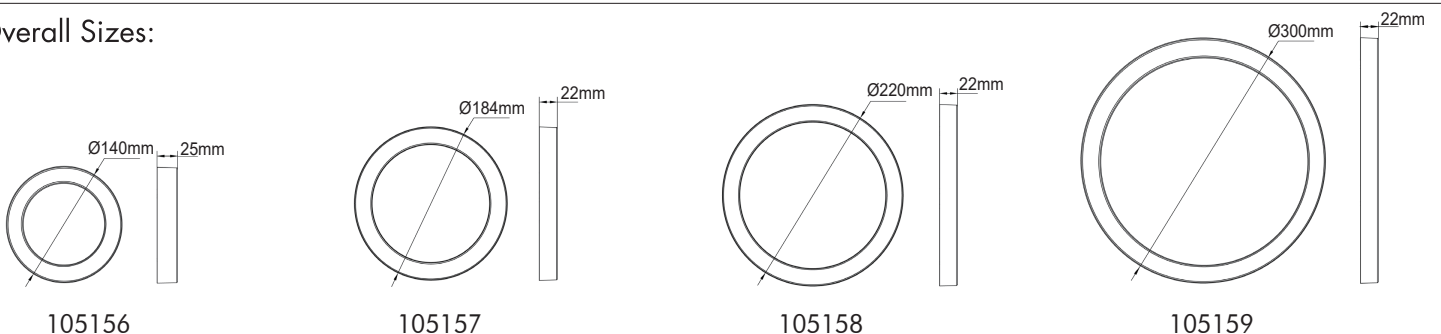
Step 3: Prepare the powerless supply line according to the legal guideline. The line ends through the supplied silicone seal. The cable according to marking connect. Insert the silicone seal into the connection box.

Step 4: Set the DIP switch to the desired light color(3K = 3000 K = warm white, 4K = 4000 K = neutral white, 6K = 6500 K = cold white).

Step 5: The lid of the connection box and the strain relief with the 4 screws fasten. Make sure that the silicone seal fits properly to the ensure splash water protection (IP44).

Step 6: Place the lamp on the metal holder and with a short right turn lock.

### Overall Sizes:

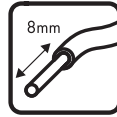
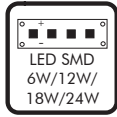
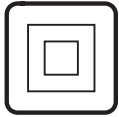


**FittinQ B.V.**

Smaragdweg 52, 5527 LB Hapert, The Netherlands  
www.qazqa.nl

QAZQA

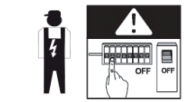
# INSTRUCTION MANUAL



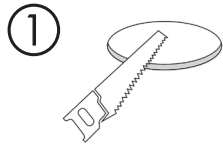
105156 Trans DL 14 White Incl.LED CCT  
105158 Trans DL 22 White Incl.LED CCT

105157 Trans DL 18 White Incl.LED CCT  
105159 Trans DL 30 White Incl.LED CCT

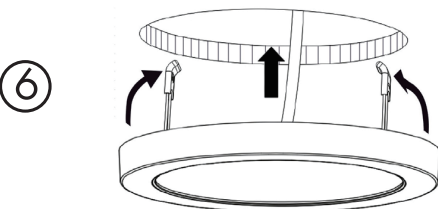
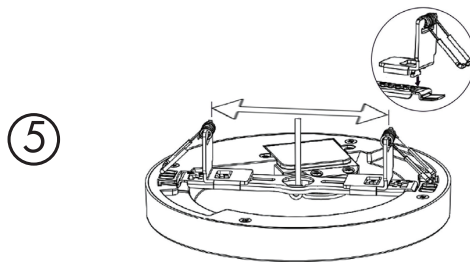
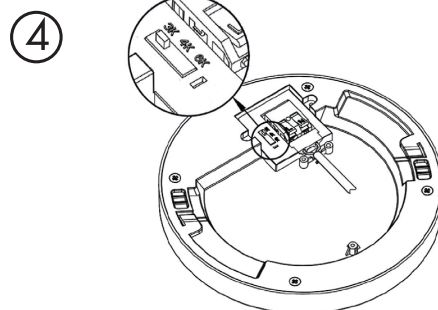
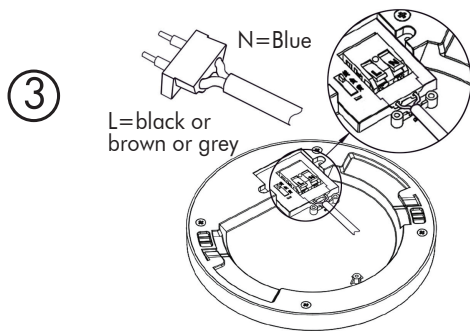
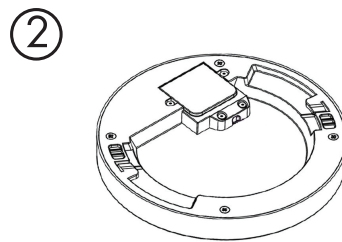
## Recessed mounting installation



Turn off the power



Hole size:  
105156: Ø55~110mm  
105157: Ø55~160mm  
105158: Ø55~200mm  
105159: Ø55~270mm

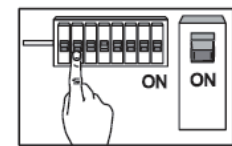


PANEL LIGHT 105156  
incl.LED QL7001145  
650lm Module  
450lm Lamp  
6W LED  
220-240V~50Hz  
3000K/4000K/6500K  
Selectable  
CRI>80  
30000 h  
15000 ON/OFF

PANEL LIGHT 105157  
incl.LED QL7001162  
1200lm Module  
960lm Lamp  
12W LED  
220-240V~50Hz  
3000K/4000K/6500K  
Selectable  
CRI>80  
30000 h  
15000 ON/OFF

PANEL LIGHT 105158  
incl.LED QL7001164  
1850lm Module  
1440lm Lamp  
18W LED  
220-240V~50Hz  
3000K/4000K/6500K  
Selectable  
CRI>80  
30000 h  
15000 ON/OFF

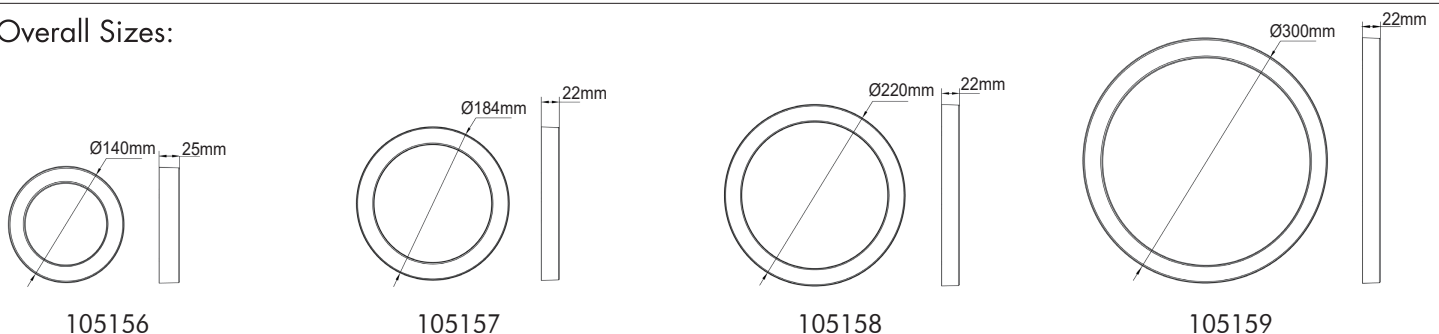
PANEL LIGHT 105159  
incl.LED QL7001165  
2500lm Module  
1920lm Lamp  
24W LED  
220-240V~50Hz  
3000K/4000K/6500K  
Selectable  
CRI>80  
30000 h  
15000 ON/OFF



Turn on the power

- Step 1: Cut out the ceiling hole with the appropriate size.
- Step 2: Open the lid of the connection box on the back of the luminaire.
- Step 3: Prepare the powerless supply line according to the legal guideline. The line ends through the supplied silicone seal. The cable according to marking connect. Insert the silicone seal into the connection box.
- Step 4: Set the DIP switch to the desired light color(3K = 3000 K = warm white, 4K = 4000 K = neutral white, 6K = 6500 K = cold white).
- Step 5: Insert the metal holder into the recess of the lamp and turn it to the right of the metal holder. The 2 spring holders in the outer opening of the insert metal holder, lift the spring slightly. The 2 spring holders on the set the required dimension.
- Step 6: Push the two springs up and insert the lamp into the ceiling hole. Make sure that the cable is not jammed.

## Overall Sizes:



**FittinQ B.V.**

Smaragdweg 52, 5527 LB Hapert, The Netherlands  
www.qazqa.nl

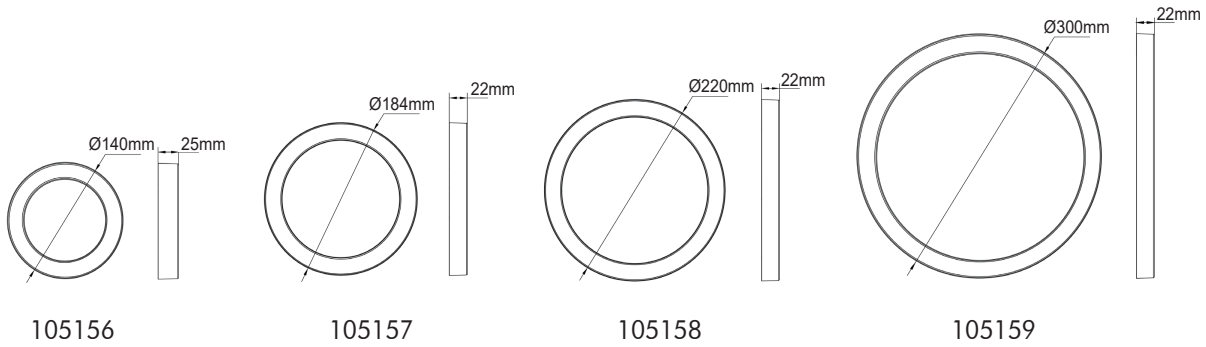
QAZQA

105156/105157/105158/105159

6W/12W/18W/24W LED

incl.LED Board: QL7001145/7001162/7001164/7001165

220-240V~50Hz




	QR	EAN
<p>(DE) Dieses Produkt enthält eine Lichtquelle der Energieeffizienzklasse F                      (EN) This product contains a light source of energy efficiency class F                      (FR) Ce produit comprend une source de lumière de classe d'efficacité énergétique F                      (NL) Dit product bevat een lichtbron van energie-efficiëntieklasse F                      (PL) Produkt ten zawiera źródło światła o klasie efektywności energetycznej F                      (NO) Dette produktet inneholder en lyskilde i energieeffektivitetsklasse F                      (DK) Dette produkt indeholder en lyskilde af energieeffektklasse F                      (SE) Denna produkt innehåller en ljuskälla i energieffektivitetsklass F                      (FI) Tämä tuote sisältää energiatehokkuusluokan F valonlähteen                      (IT) Questo prodotto contiene una sorgente luminosa della classe di efficienza energetica F                      (ES) Este producto contiene una fuente de luz de la clase de eficiencia energética F                      (CZ) Tento výrobek obsahuje světelný zdroj třídy energetické účinnosti F                      (PT) Este produto contém uma fonte de luz da classe de eficiência energética F                      (GR) Αυτό το προϊόν περιέχει μια φωτεινή πηγή ενεργειακής απόδοσης κλάσης F                      (SK) Tento výrobok obsahuje zdroj svetla triedy energetickej efektivity F</p>		105156: 8718881134951
		105157: 8718881134968
		105158: 8718881134975
		105159: 8718881134982

(DE) Durch einen Fachmann austauschbare Lichtquelle (nur LED)  
 (EN) Replaceable (LED only) light source by a professional.  
 (FR) Source de lumière remplaçable (LED uniquement) par un professionnel.  
 (NL) Lichtbron (alleen led) te vervangen door een professional.  
 (PL) Wymienne (tylko LED) źródło światła wykonane przez profesjonalistę.  
 (NO) Utskiftbar (kun LED) lyskilde av en profesjonell.  
 (DK) Udskiftelig lyskilde (kun LED), udskiftes af en elektriker.  
 (SE) Ljuskälla (endast LED) utbyttbar genom fackman.  
 (FI) Ammattilainen voi vaihtaa vaihdettavan (vain LED) valonlähteen.  
 (IT) Sorgente luminosa (solo LED) sostituibile da un professionista.  
 (ES) Fuente de luz (solo LED) sustituible por un profesional.  
 (CZ) Vyměnitelný (pouze LED) světelný zdroj odborníkem.  
 (PT) Luz LED (apenas LED) substituível por um profissional.  
 (GR) Η πηγή φωτός (μόνο LED) να αντικαθίσταται από επαγγελματία.  
 (SK) Zdroj svetla (iba LED) vymeniteľný prostredníctvom odborníka.

(DE) Durch einen Fachmann austauschbares Betriebsgerät.  
 (EN) Replaceable control gear by a professional.  
 (FR) Contrôleur remplaçable par un professionnel.  
 (NL) Voorschakelapparatuur te vervangen door een professional.  
 (PL) Wymienny układ sterujący przez profesjonalistę.  
 (NO) Utskiftbar kontrollutstyr av en profesjonell.  
 (DK) Udskiftelig igangsætter, udskiftes af en elektriker.  
 (SE) Styrdon utbyttbart genom fackman.  
 (FI) Ammattilainen voi vaihtaa vaihdettavat ohjauslaitteet.  
 (IT) Dispositivo di controllo sostituibile da un professionista.  
 (ES) Dispositivo de control sustituible por un profesional.  
 (CZ) Vyměnitelný předradník odborníkem.  
 (PT) Dispositivo de controlo substituível por um profissional.  
 (GR) Ο εξοπλισμός ελέγχου να αντικαθίσταται από επαγγελματία.  
 (SK) Predradník vymeniteľný prostredníctvom odborníka.

# SAFETY INSTRUCTION

Please study the instruction manual and below information carefully before installing or using this product. Please keep this user manual for further reference

1. The luminaires may only be installed by authorized and qualified technicians according the valid regulations for electrical installation.
2. Maintenance of the luminaires is limited to their surfaces. During maintenance no moisture can come into contact with any areas of the terminal connections or voltage control parts.
3. The electrical supply must be switched off at the outset, preferably by means of a switch in the distribution box, before any installation, maintenance or repair work is undertaken.
4. Exterior lighting must not be installed during rain.
5. Take account of the minimal separation distance from other objects and the room required around the fitting.
6. If in any doubt, consult a professional, taking local installation requirements into account. Some countries stipulate that lighting may be installed only by registered installers.
7. Clamping screws in electrical connections must be adequately tightened. This is particularly the case with 12V low voltage conductors.
8. When replacing a halogen lamp, wait for it to cool, for a minimum of 5 minutes.
9. Clean with a clean, dry cloth or brush, use no solvents or abrasives. Avoid dampness on all electrical components
10. Take account of all available technical information.
11. Take note of the symbols when connecting wires:  
**N** = Neutral    **L** = Live     = Earth
12. Meaning of symbols:



For indoor use only, where direct contact with water is impossible



This icon indicates the level of water-proof and dust-proof



Protection Class I: the fitting must be earthed



Protection Class II: the fitting is doubled insulated and does not require earthing



Protection Class III: the fitting is low voltage



Minimum distance from lighted objects (meters)



Only the self-shielded halogen lamp should be used with the luminaire



Strip the wire to the indicated length (mm); different items require different length



Connect using the specified cable; different items require different cables



The type of lamp and maximum size and wattage indicated in each lighting unit must not be exceed; different items require different kind of light sources with different bulb icons



The armature is designed to work only with the indicated voltage. Different items require different working voltage.



The luminaire can be used in combination with a dimmer



The luminaire can be dimmed by wall switch



The reference light angle and light space of the luminaire



This luminaire cannot be disposed together with normal domestic waste in standard rubbish can, but you have to bring it to a staging area for electrical waste

**FittinQ B.V.**

Smaragdweg 52, 5527 LB Hapert, The Netherlands  
www.qazqa.nl

QAZQA

