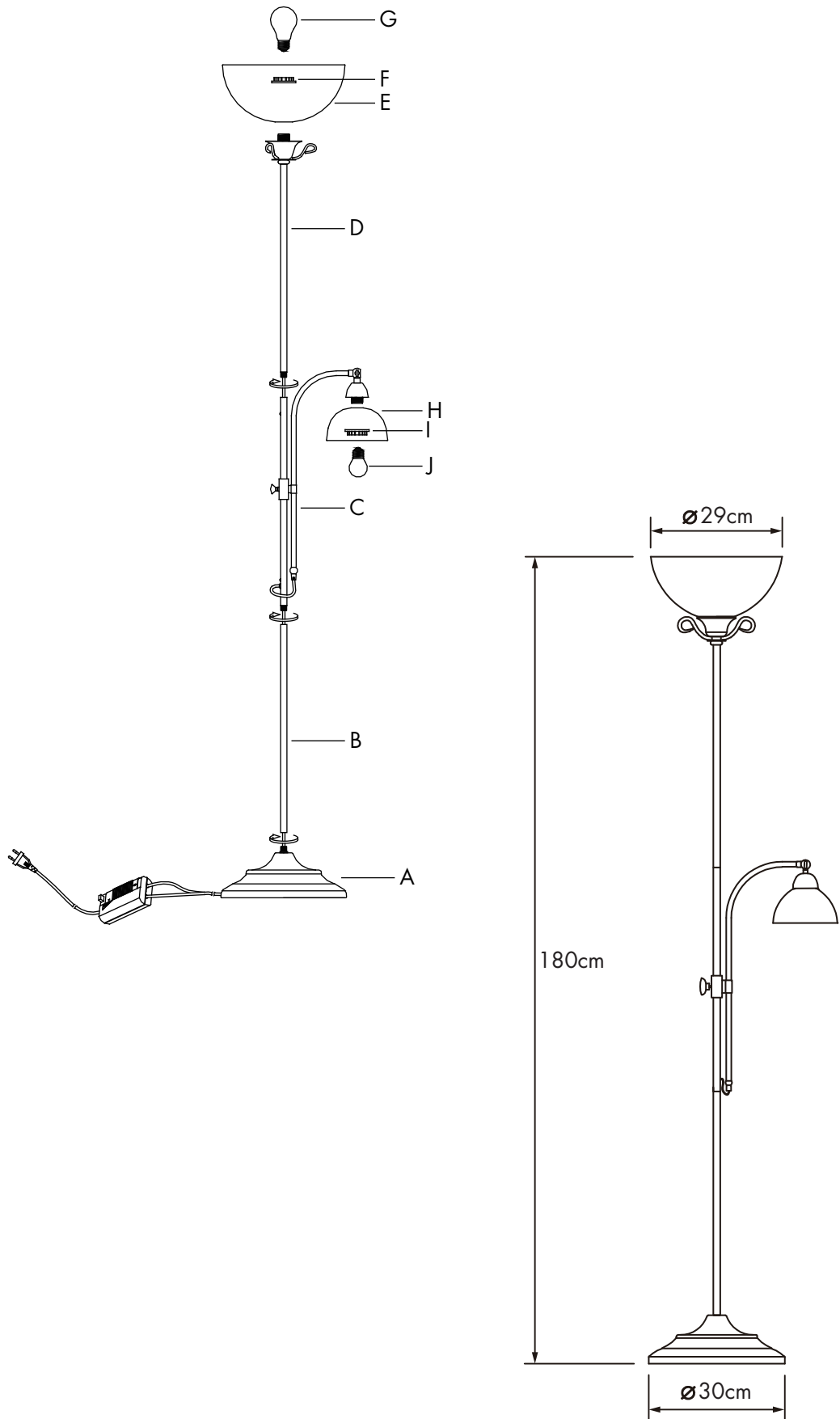


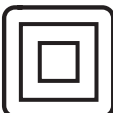
# INSTRUCTION MANUAL

Dallas FL 2 Brown  
93311



1xE27+1xE14  
Max. 100W+  
Max. 40W  
Bulb is changeable  
Foot dimmer+  
on/off switch

220~240V  
50~60HZ



QAZQA

WWW.QAZQA.COM