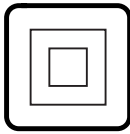
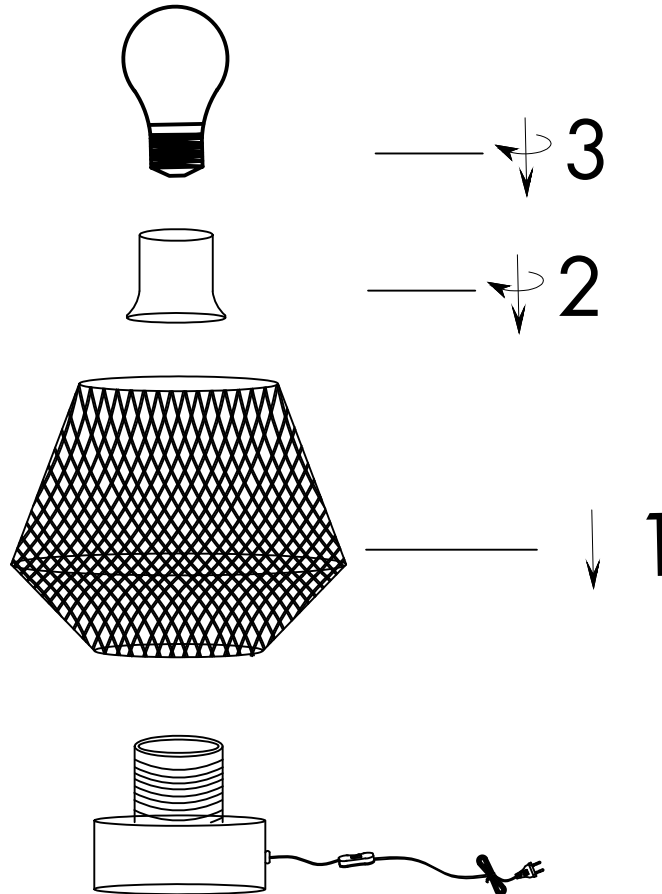


INSTRUCTION MANUAL



Karce TL
103547, 103548



Overall Sizes:

