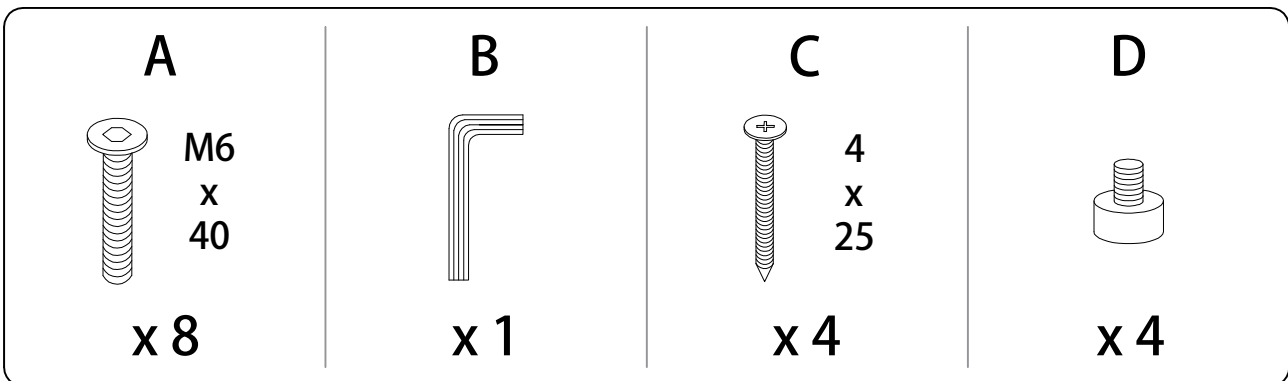
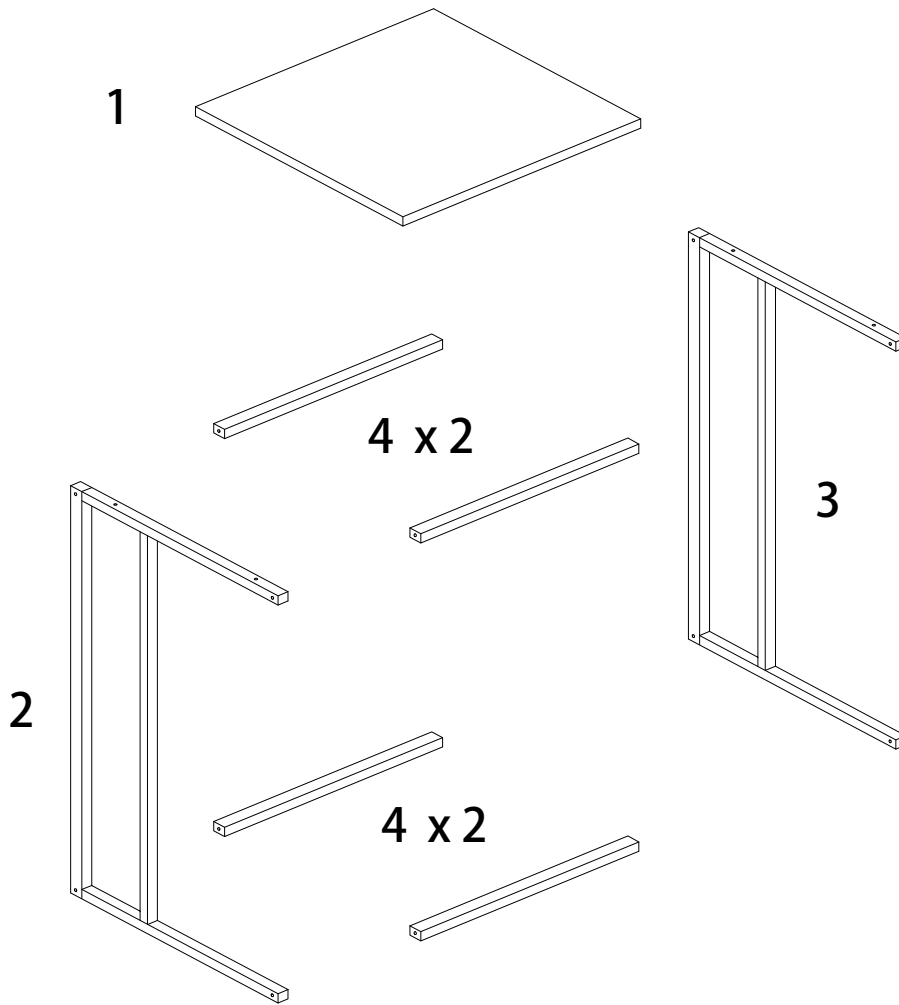
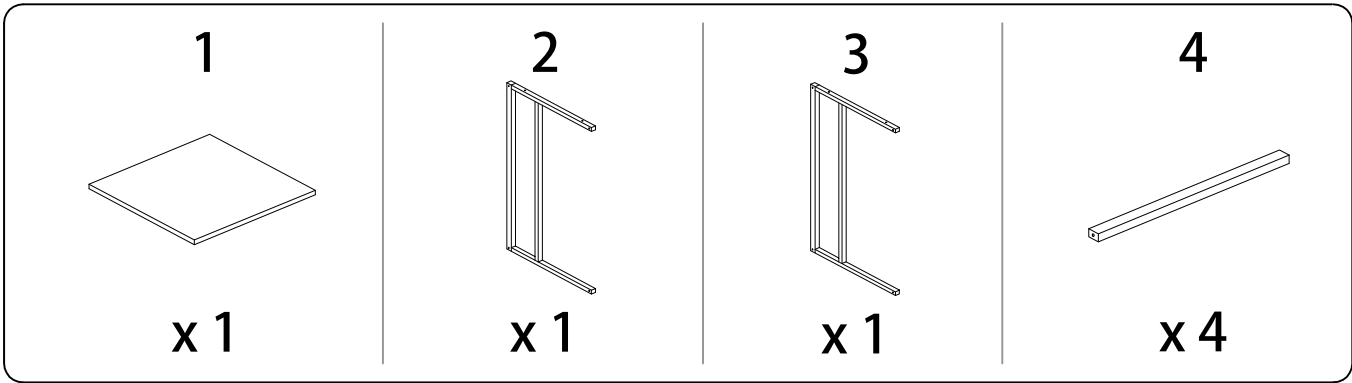
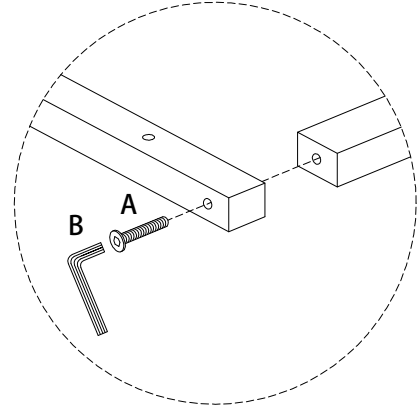
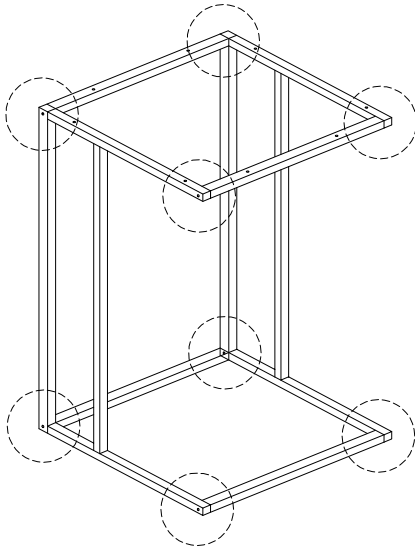
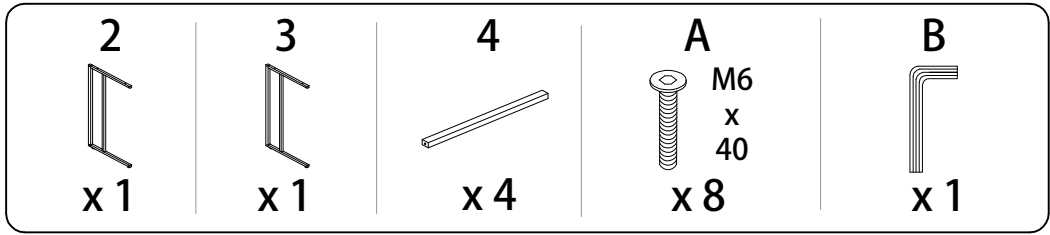


Assembly instructions for step 1/3:

- Tools:** A circle containing an L-shaped Allen key and a screwdriver. A power drill is shown with a diagonal line through it, indicating it should not be used.
- Warning:** A triangle with an exclamation mark.
- Time:** A clock icon with the number 25' below it, indicating a 25-minute assembly time.
- Personnel:** A stick figure icon with the number 1 below it, indicating that one person is required for assembly.
- Diagram:** A circle showing a rectangular panel being placed on a surface with a hatched pattern. A diagonal line through the panel indicates it should not be placed on the hatched surface.



1



2

