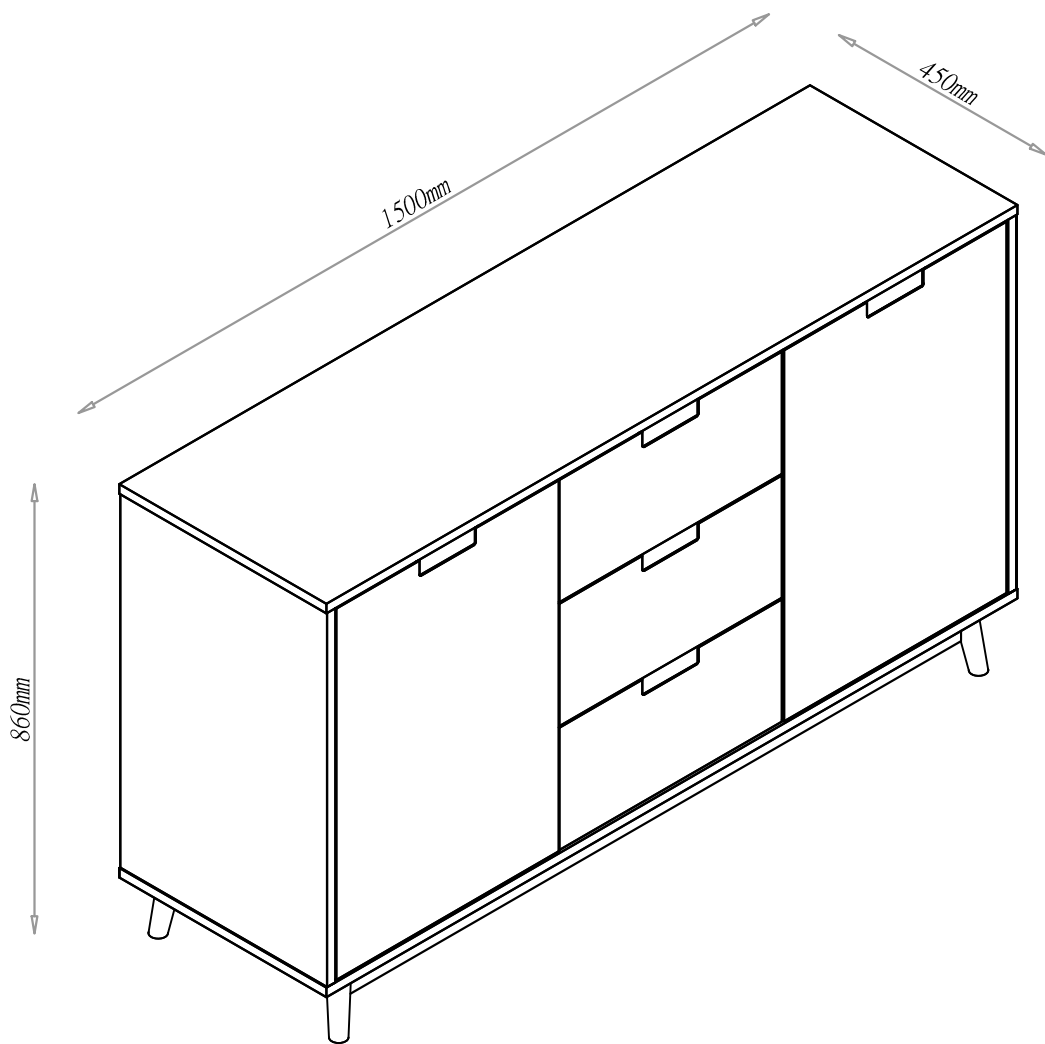
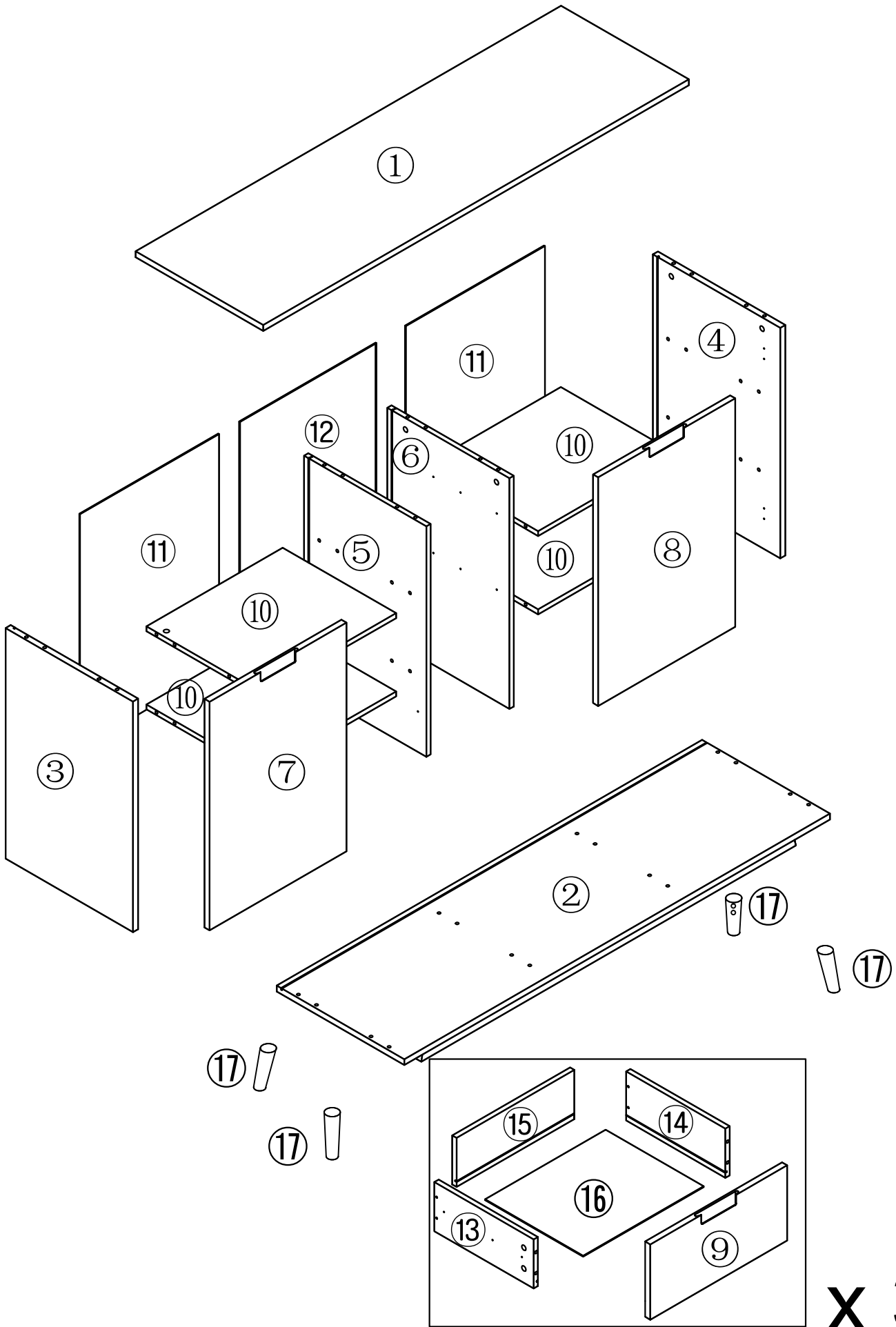
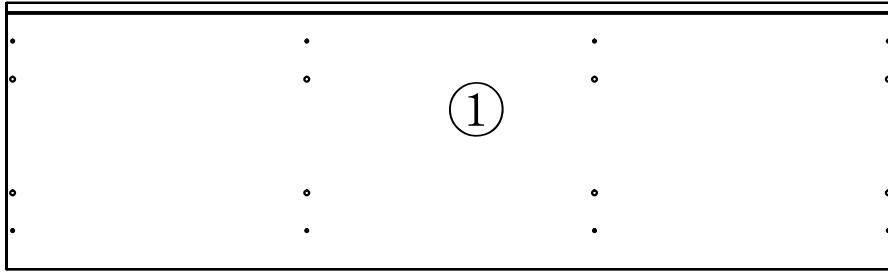


# Copenhagen Sideboard

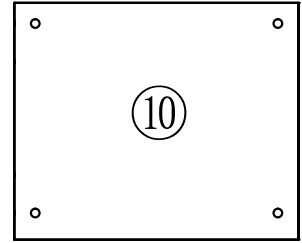
3101001  
3101002



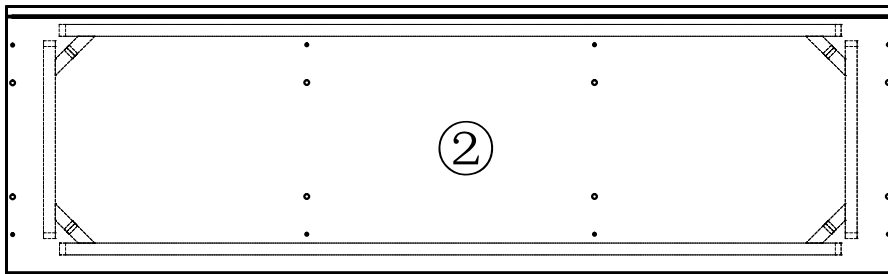




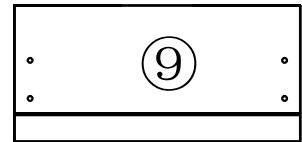
450x1500x18mm(x1)



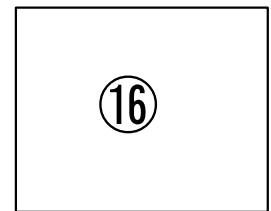
400x480x15mm(x4)



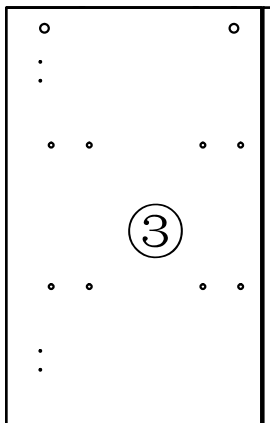
450x1500x68mm(x1)



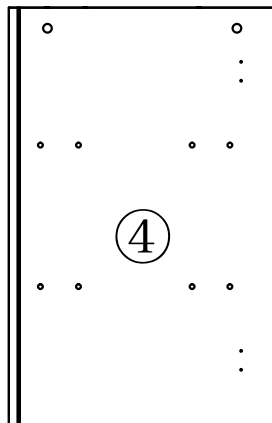
230x483x18mm(x3)



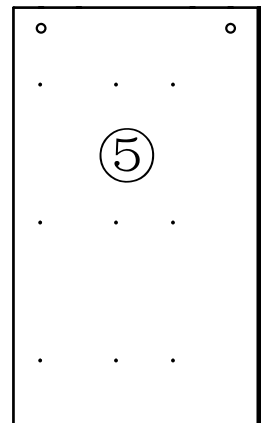
345x425x3.9mm(x3)



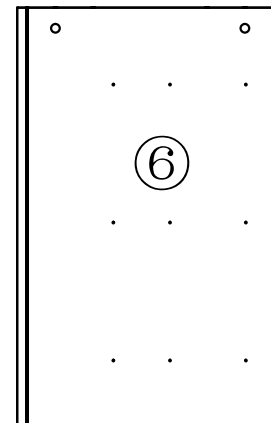
449x704x15mm(x1)



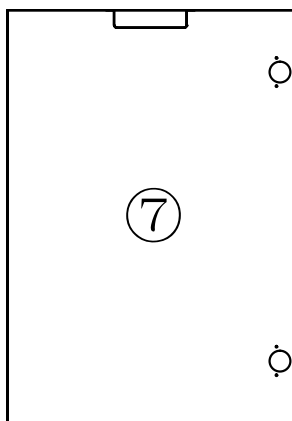
449x704x15mm(x1)



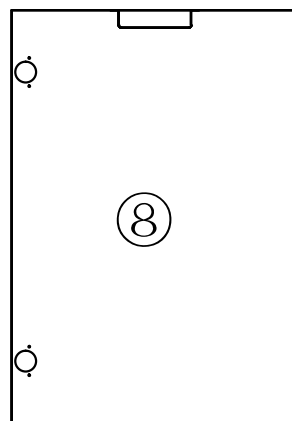
431x704x15mm(x1)



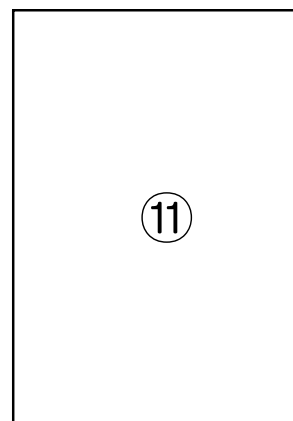
431x704x15mm(x1)



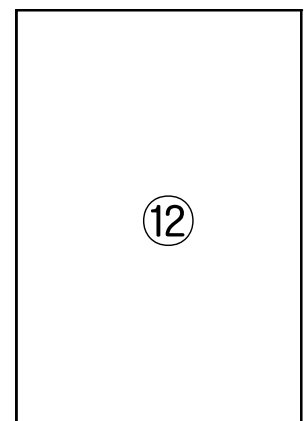
483x698x18mm(x1)



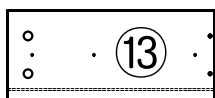
483x698x18mm(x1)



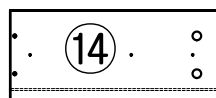
490x714x3.9mm(x2)



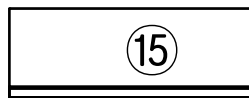
481x714x3.9mm(x1)



150x350x15mm(x3)



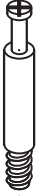





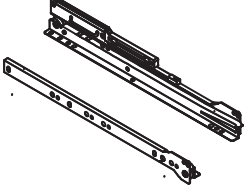
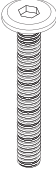

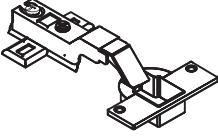


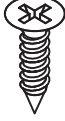
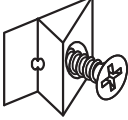
150x350x15mm(x3)



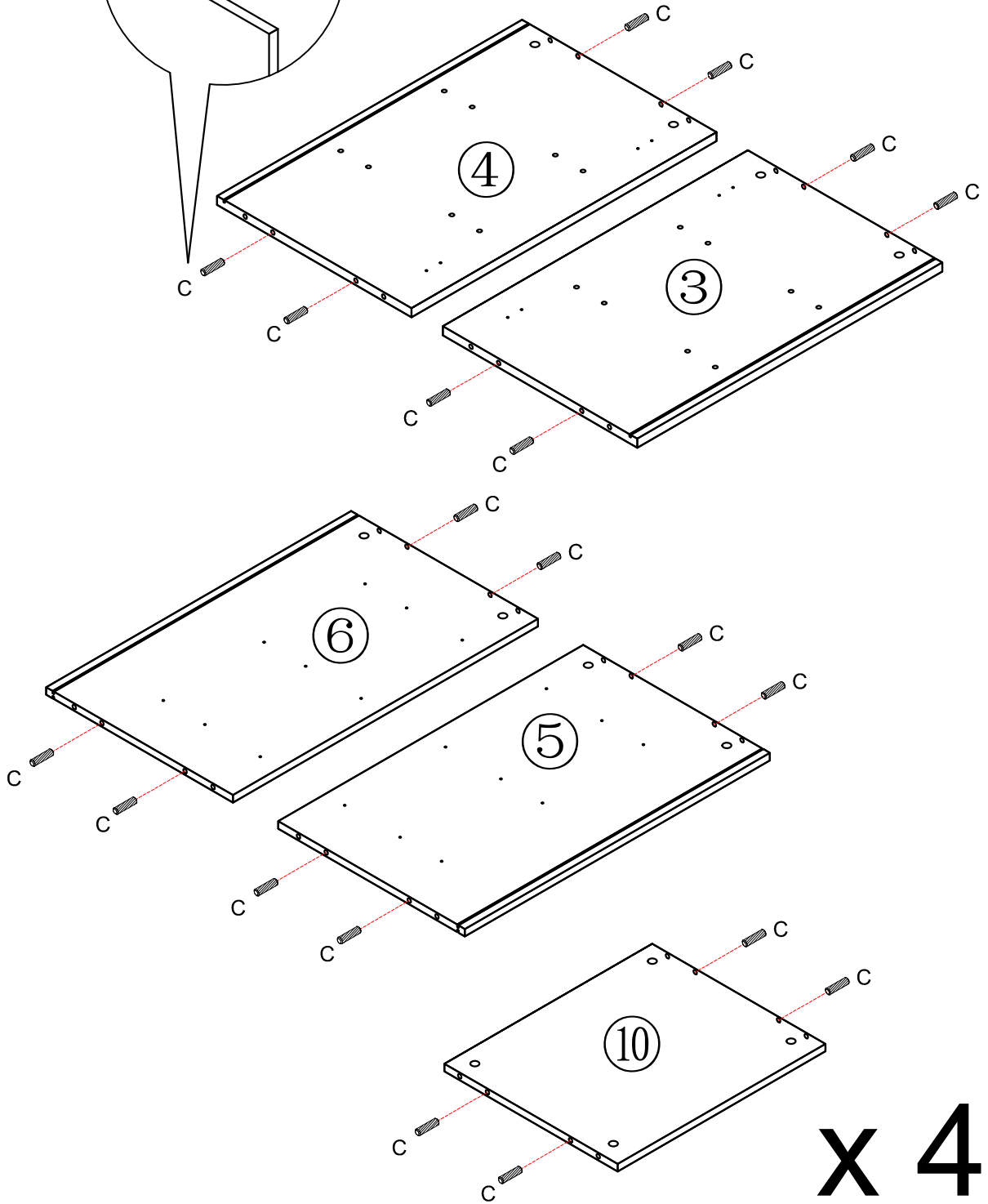
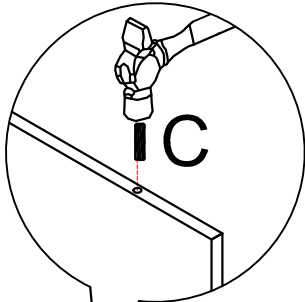
150x415x15mm(x3)



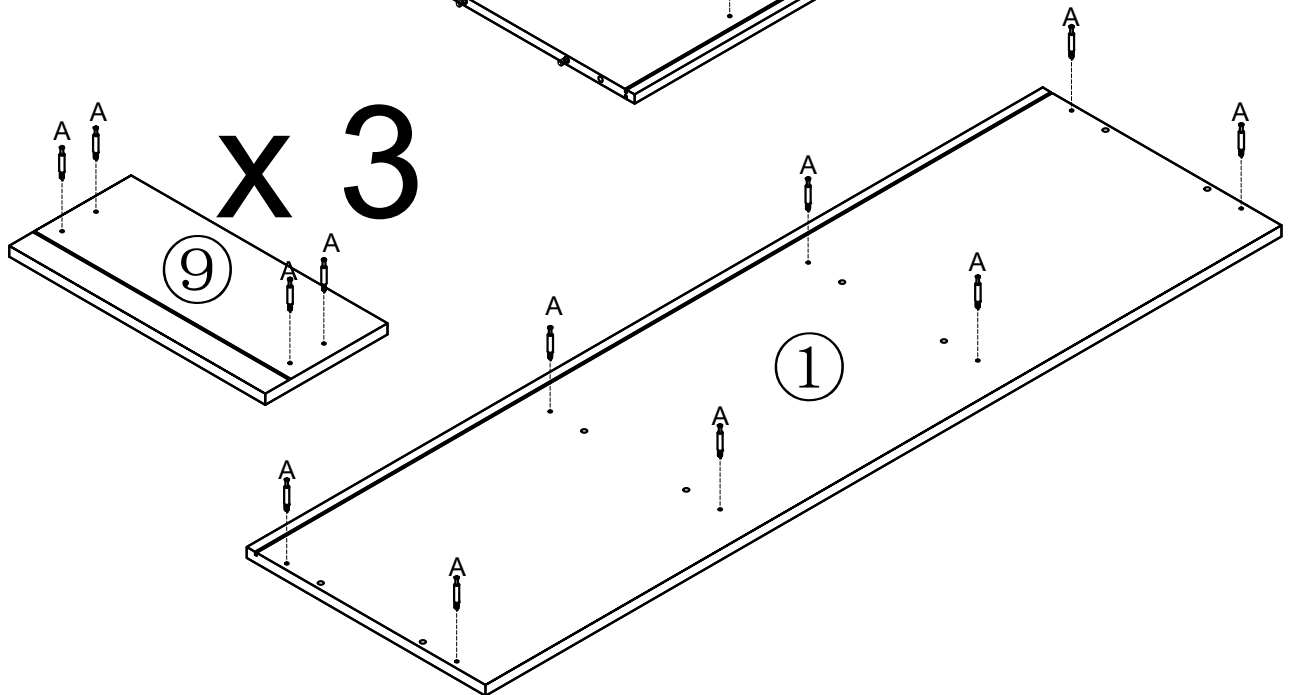
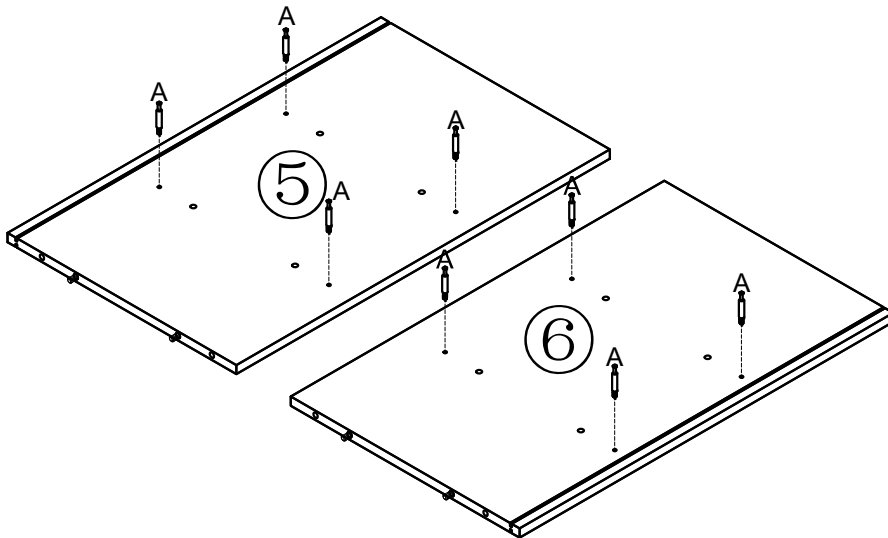
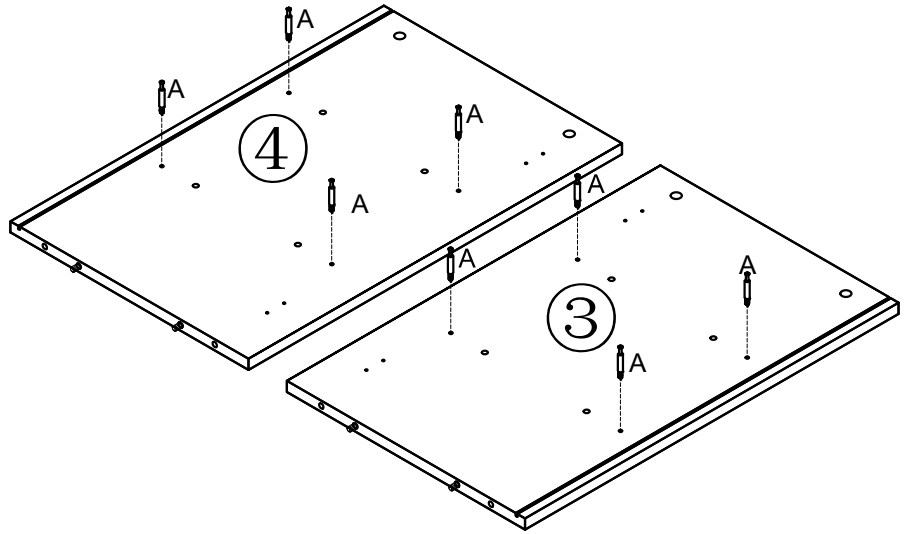
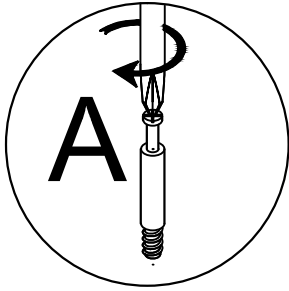
40x40x120mm(x4)

 $\phi 7 \times 43 \text{mm}$ 36xA	 $\phi 15 \times 11.5 \text{mm}$ 36xB	 $\phi 8 \times 30 \text{mm}$ 32xC	 M4x30mm    12xD
 $\phi 3.5 \times 12 \text{mm}$ 24xE	 $\phi 5 \times 38 \text{mm}$ 8xF	 L:350mm    3xG	 M6x70mm    8xH
 $\phi 18 \text{mm}$ 8xJ	 4xK	 $\phi 4 \times 16 \text{mm}$ 16xL	 M4    1xM
 $\phi 4 \times 20 \text{mm}$ 6xN	 4xO		

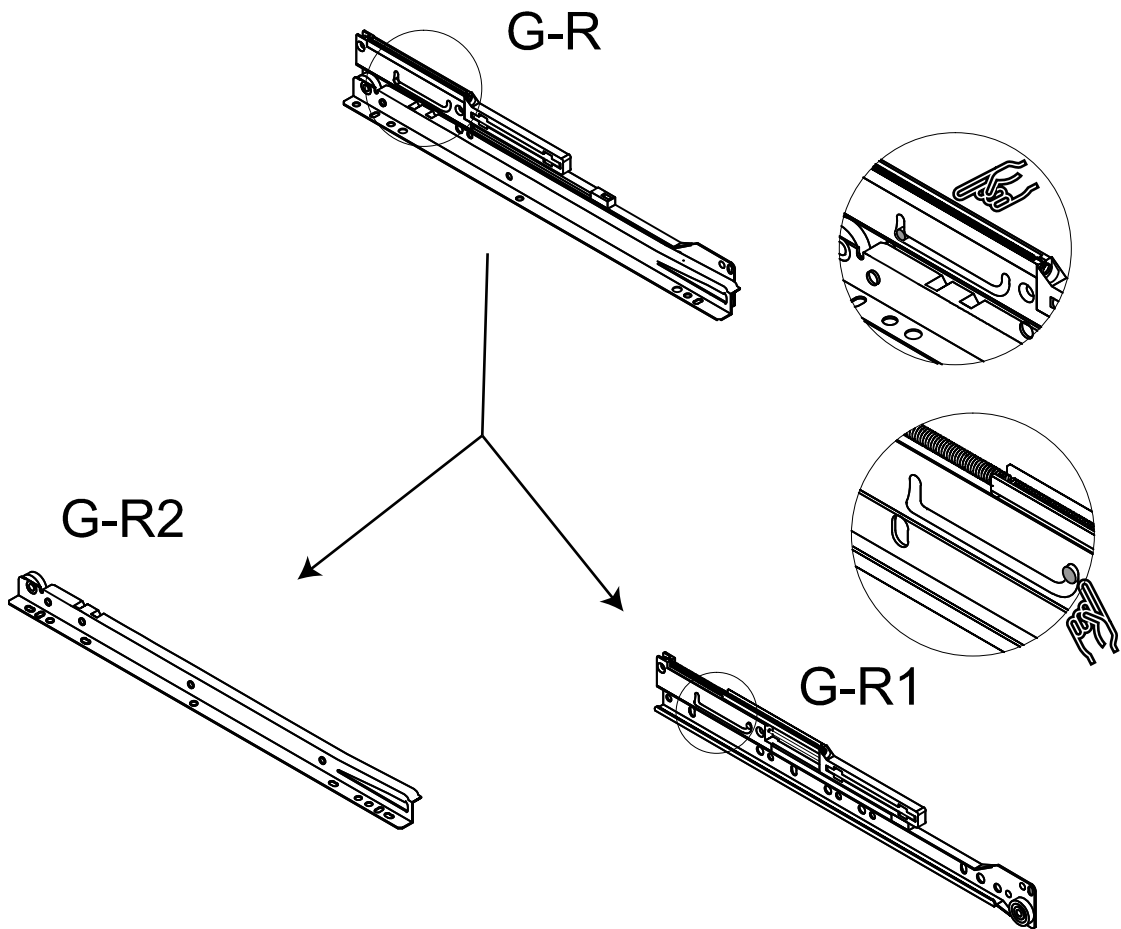
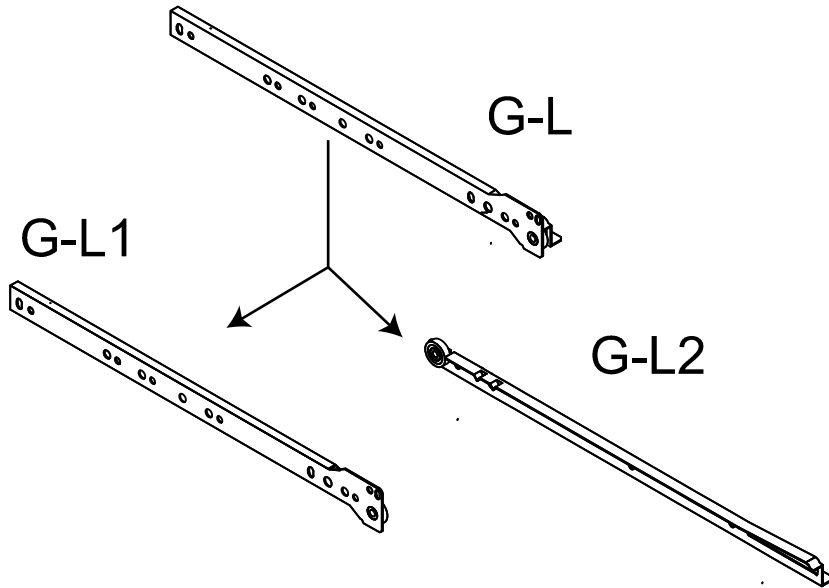
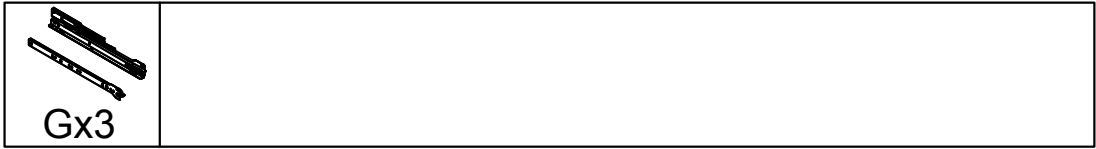
# 1



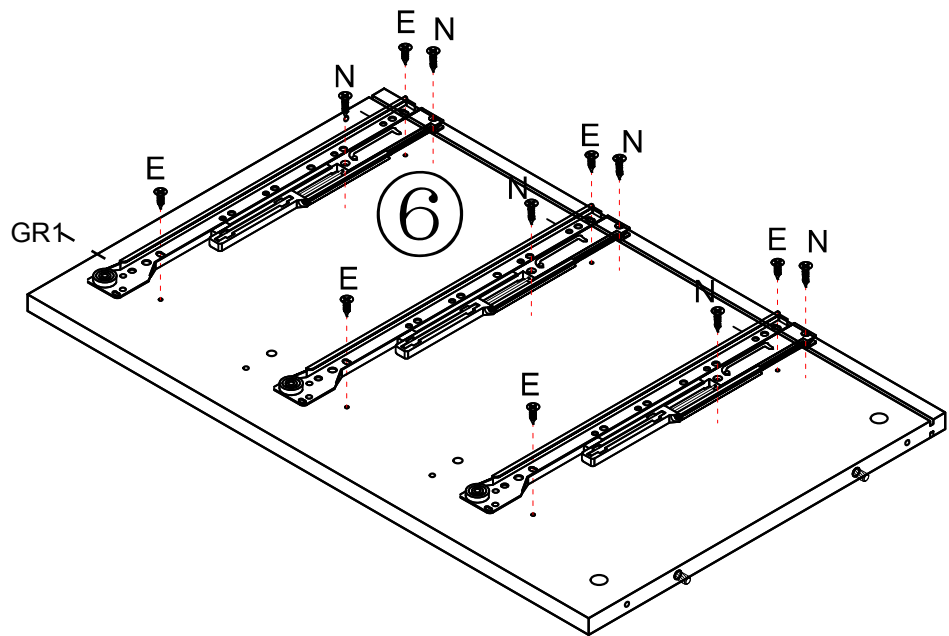
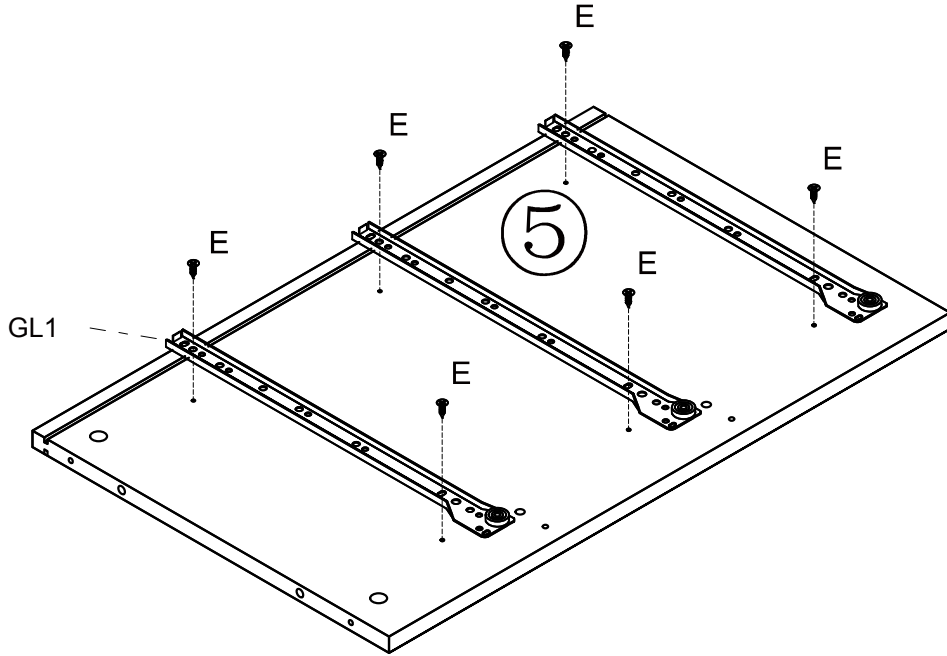
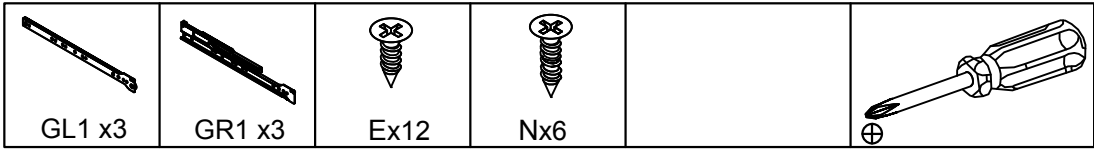
# 2



3






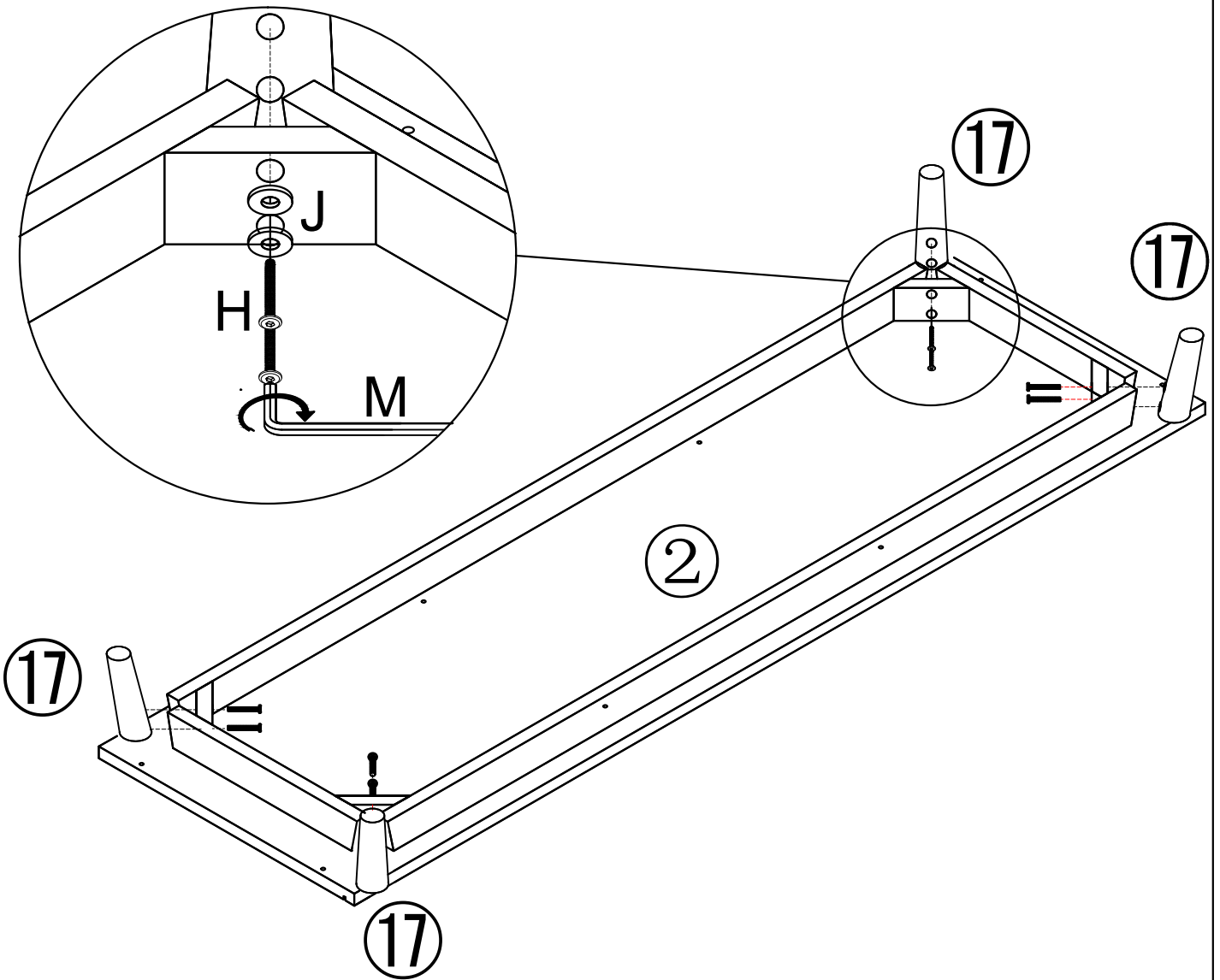
# 4



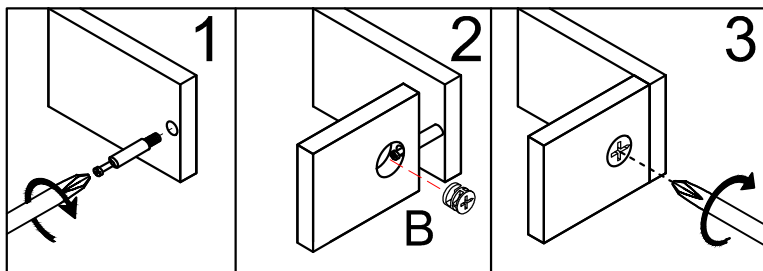
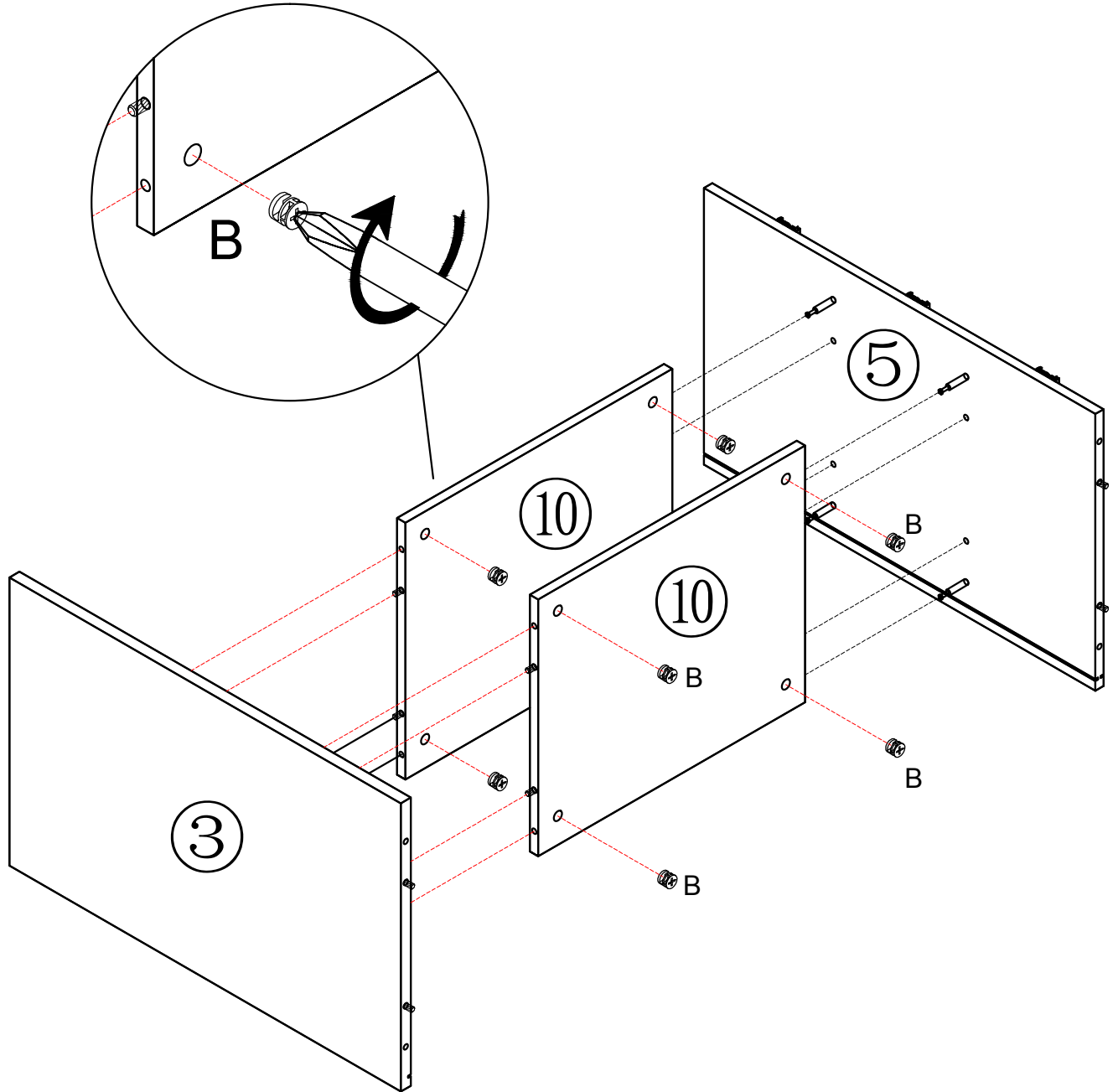


# 5

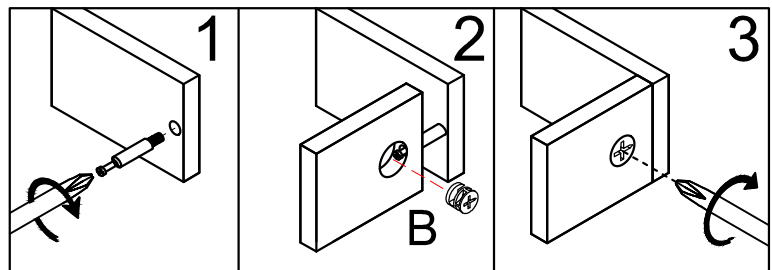
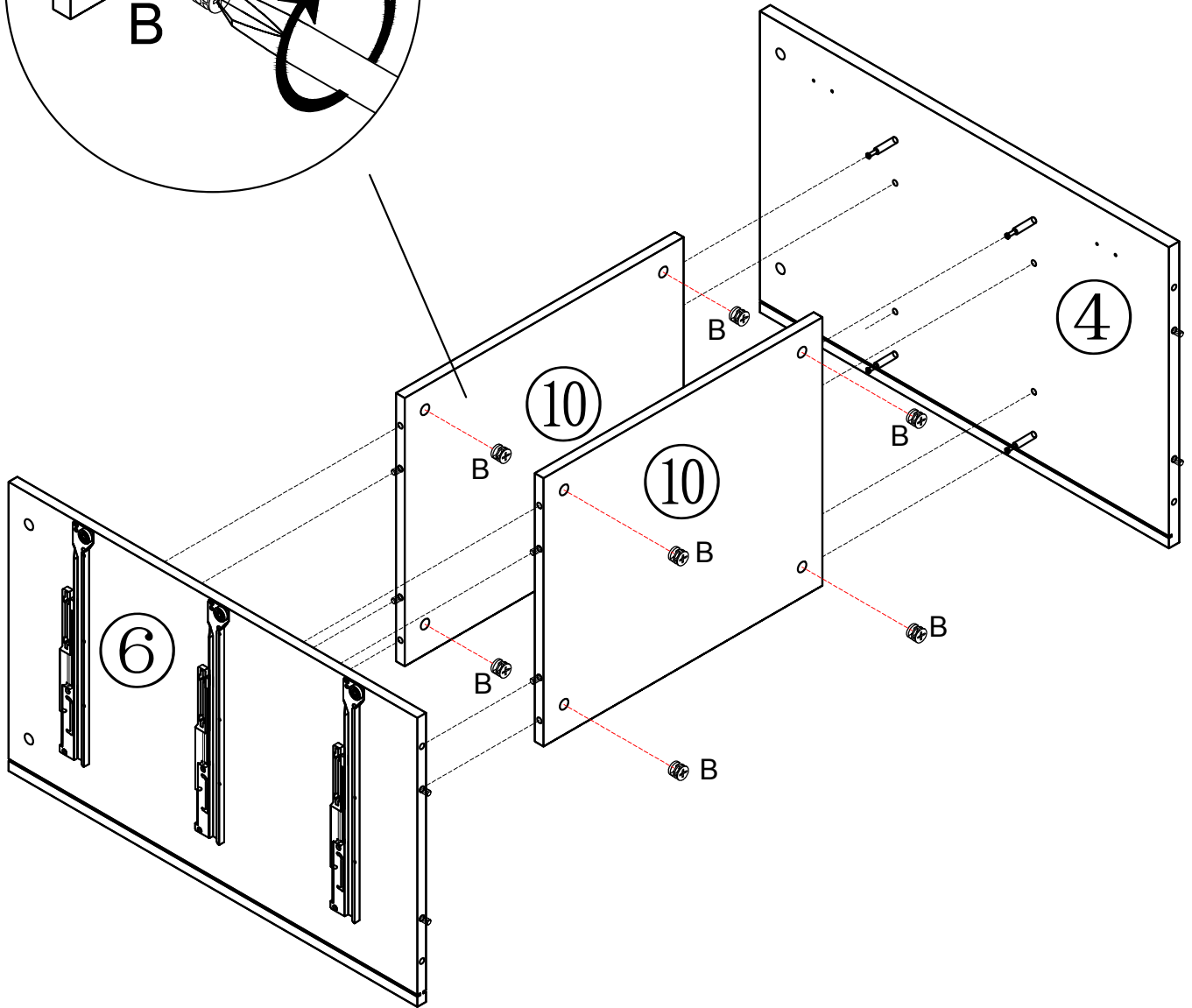
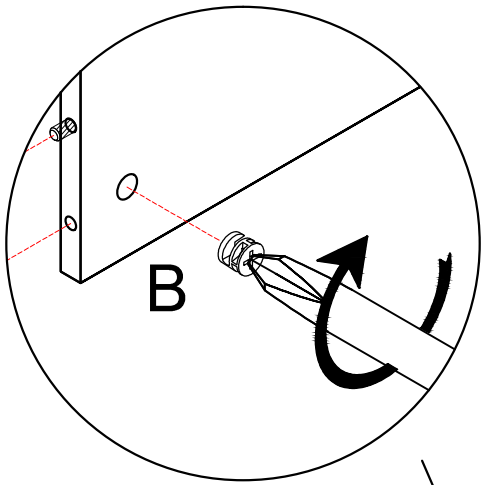
 Hx8	 Jx8	 Mx1		
--	--	--	--	--



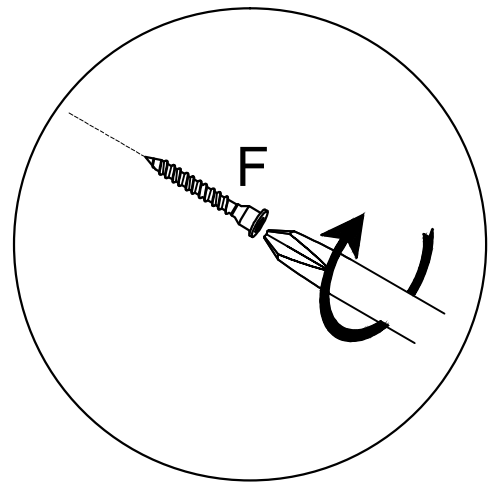
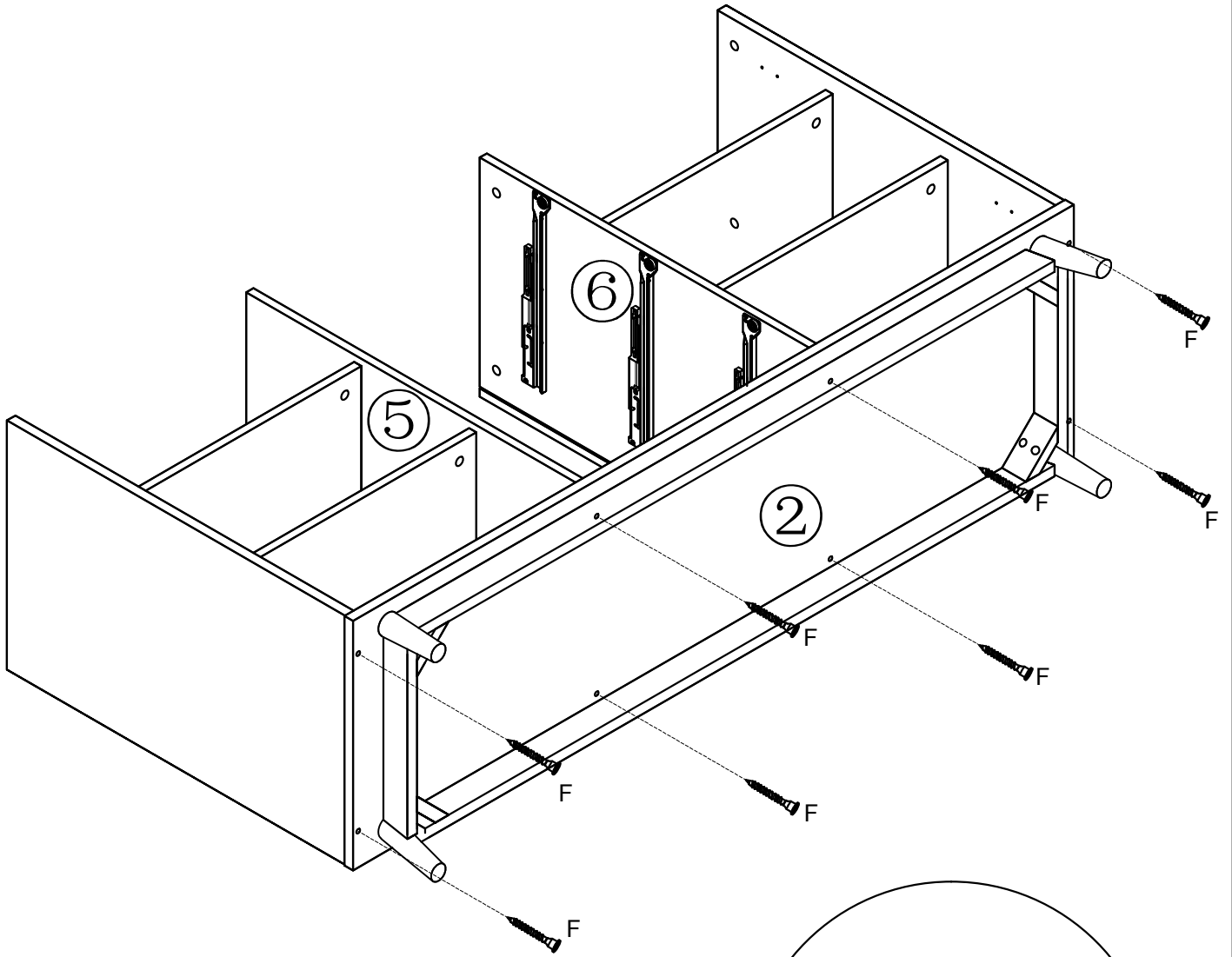
# 6



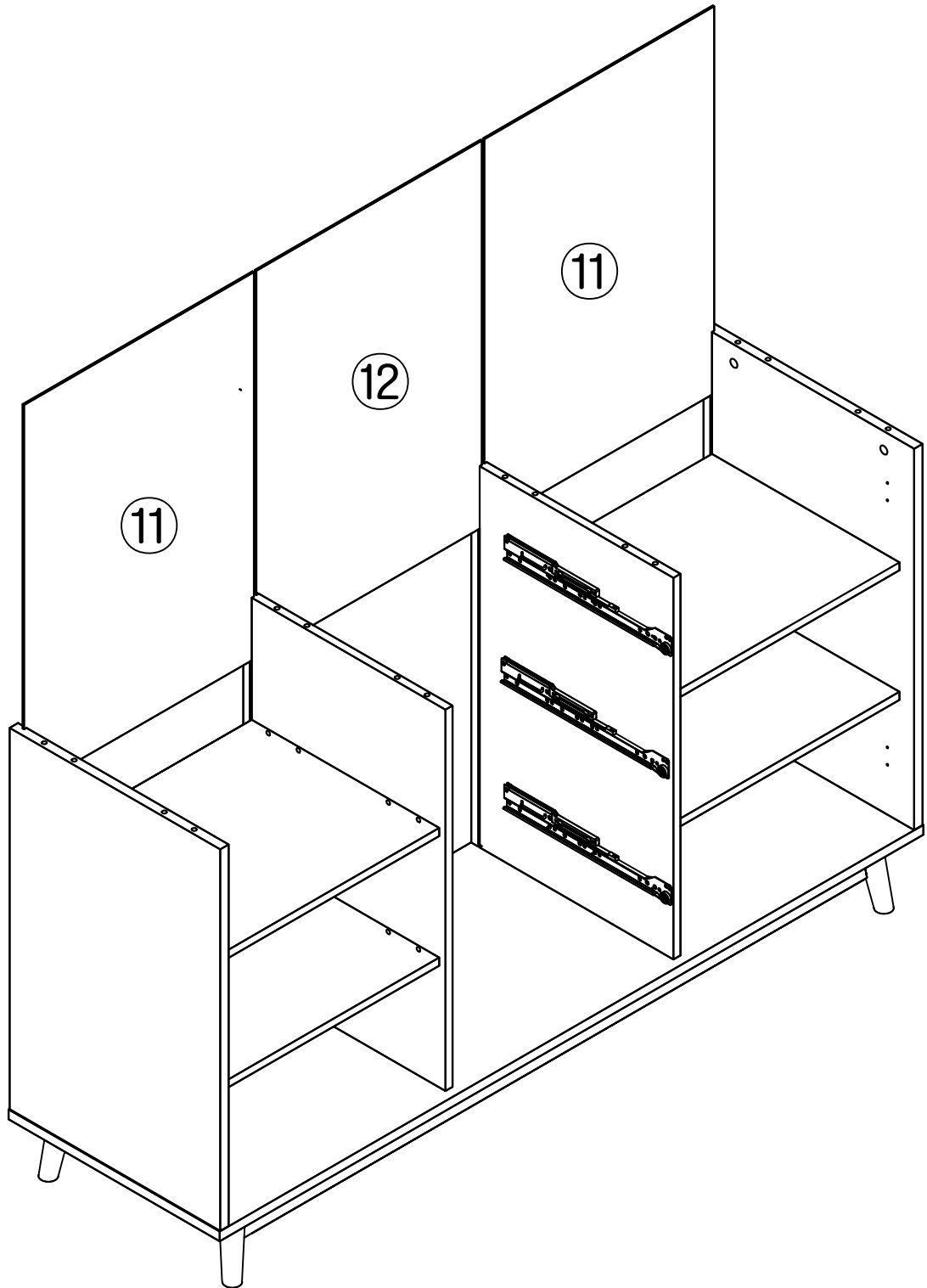
7



8



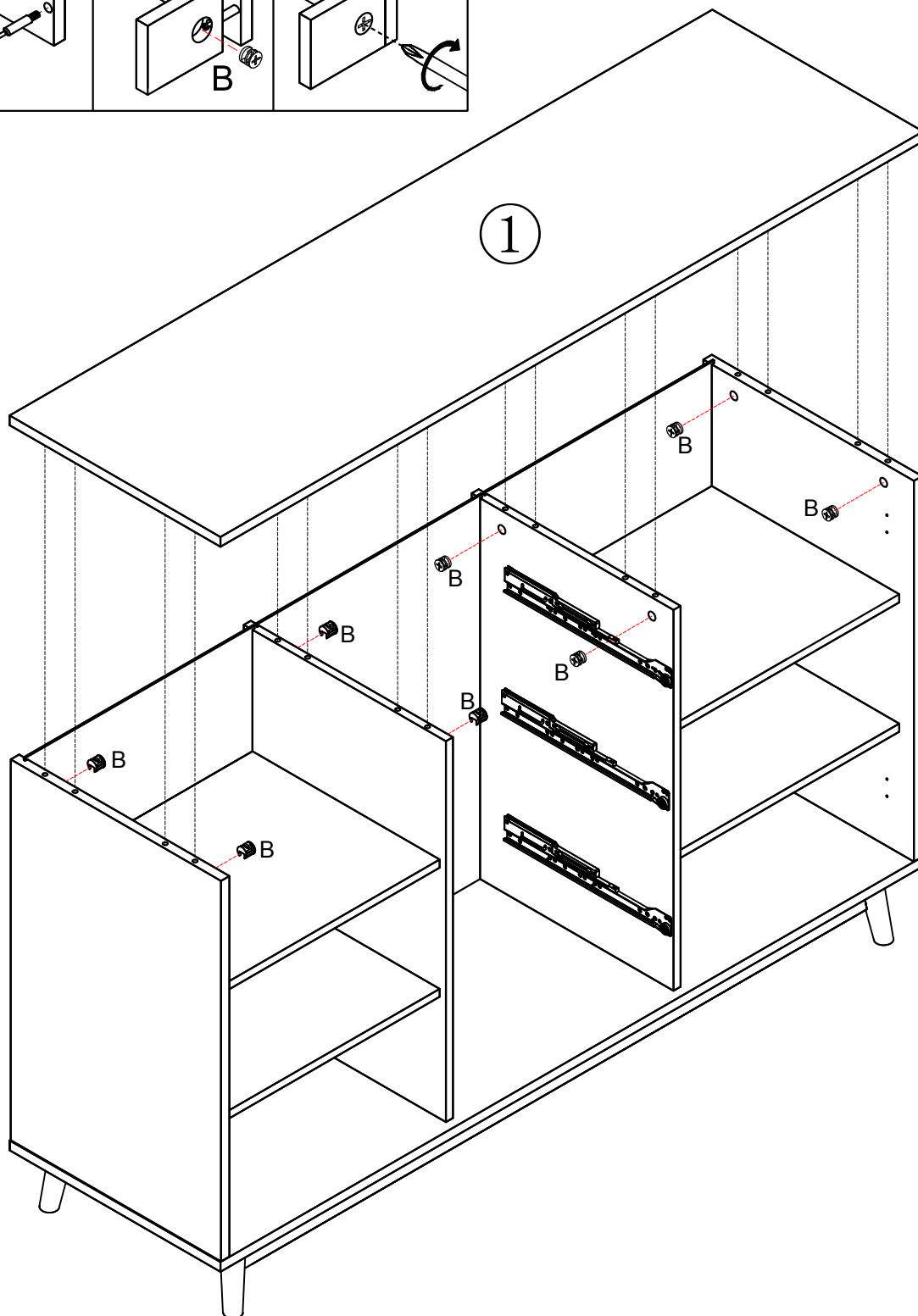
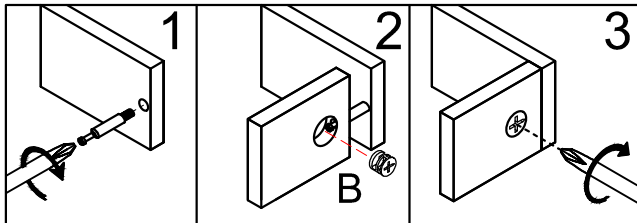
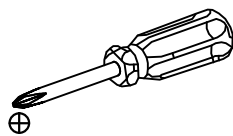
9



# 10



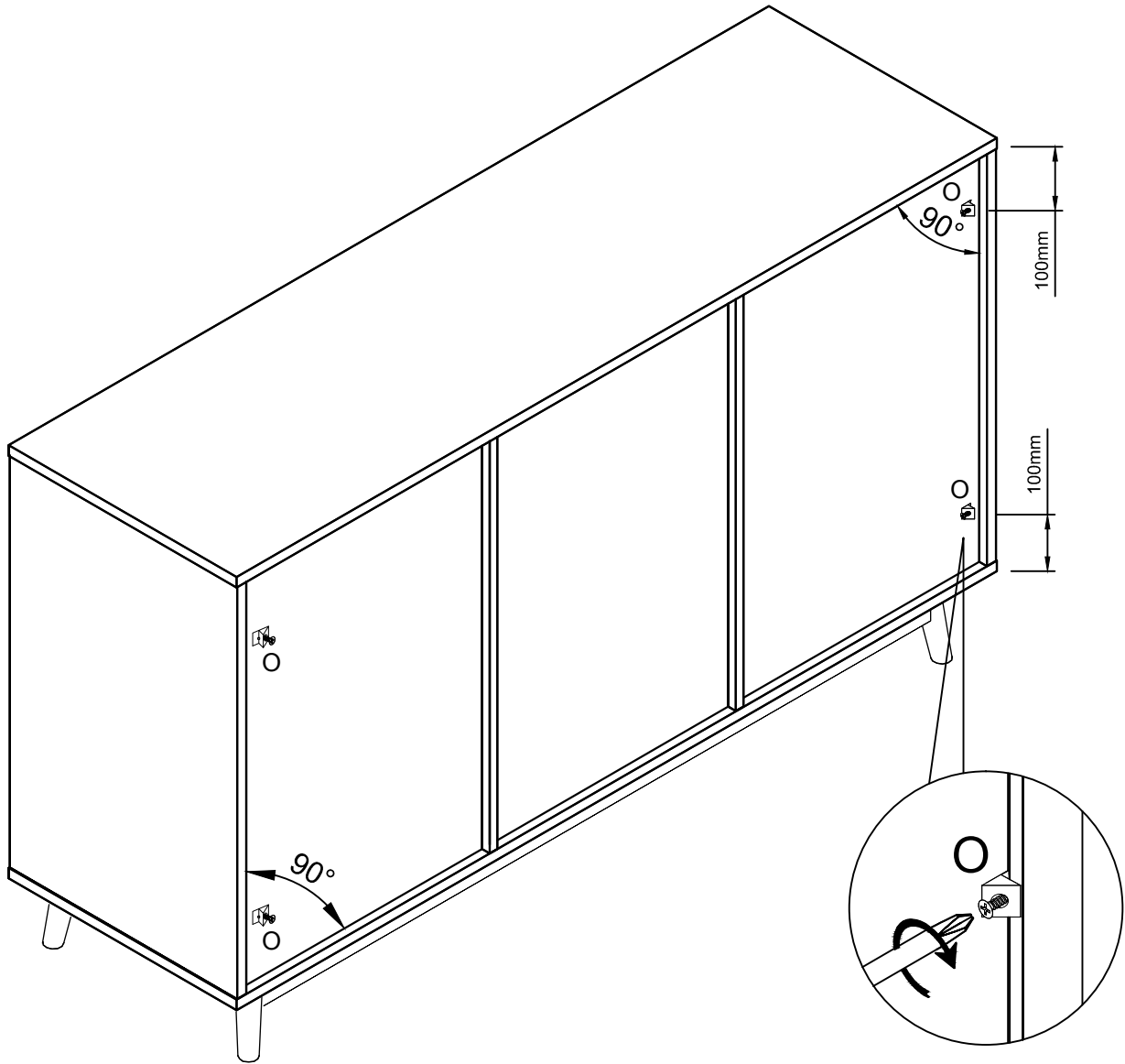
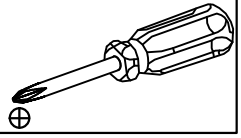
Bx8



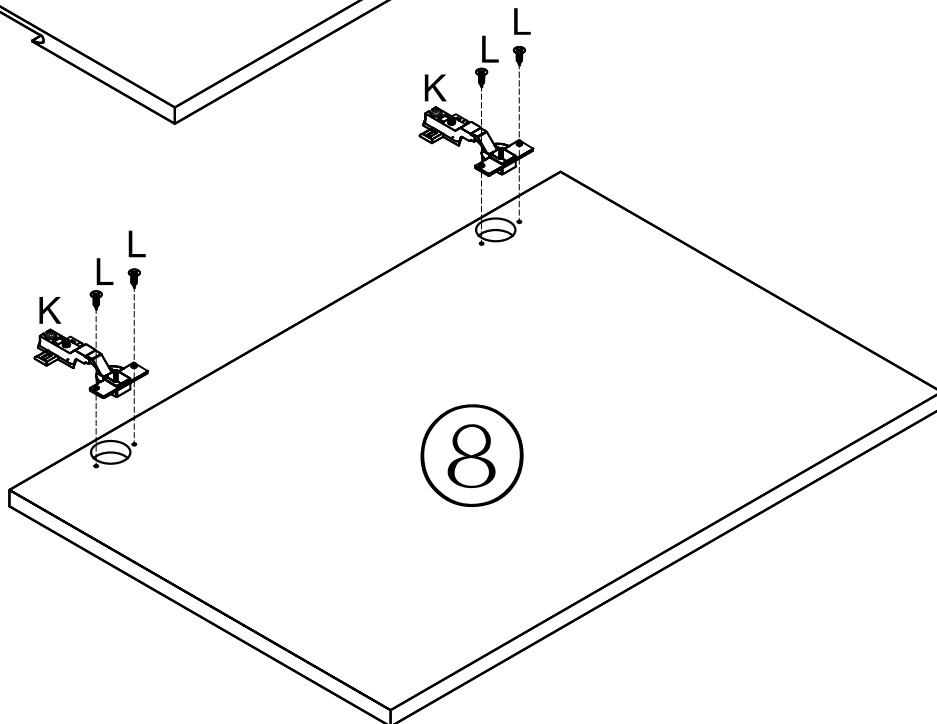
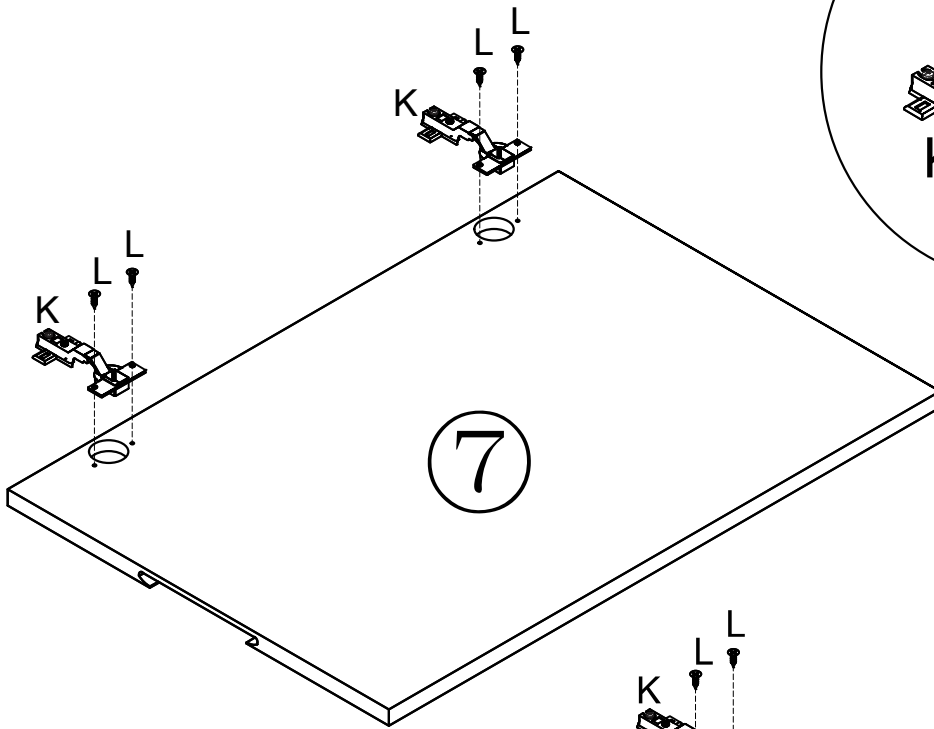
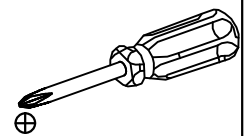
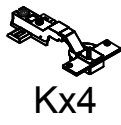
# 11



Ox4



# 12

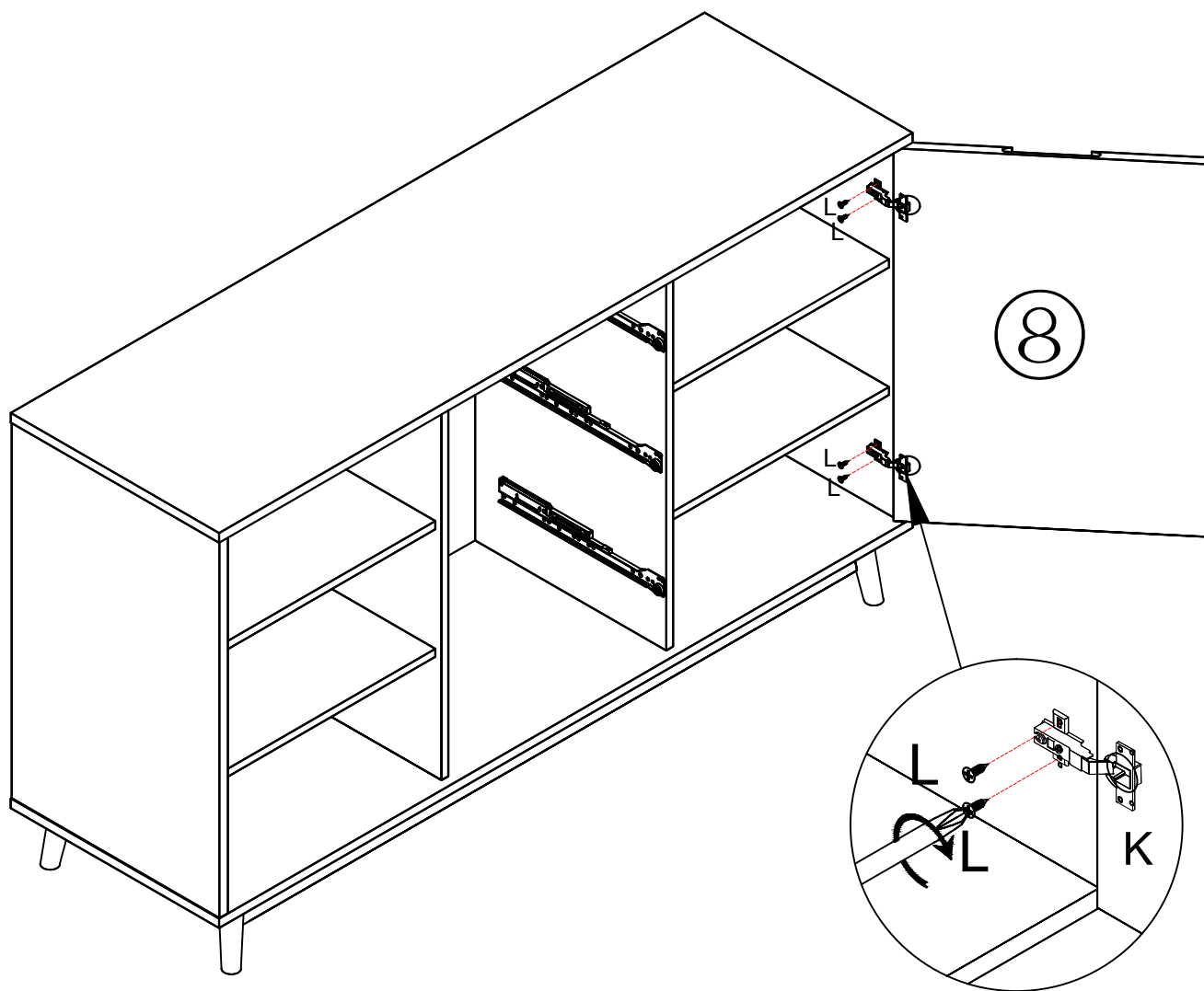
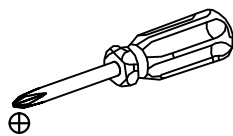




# 13



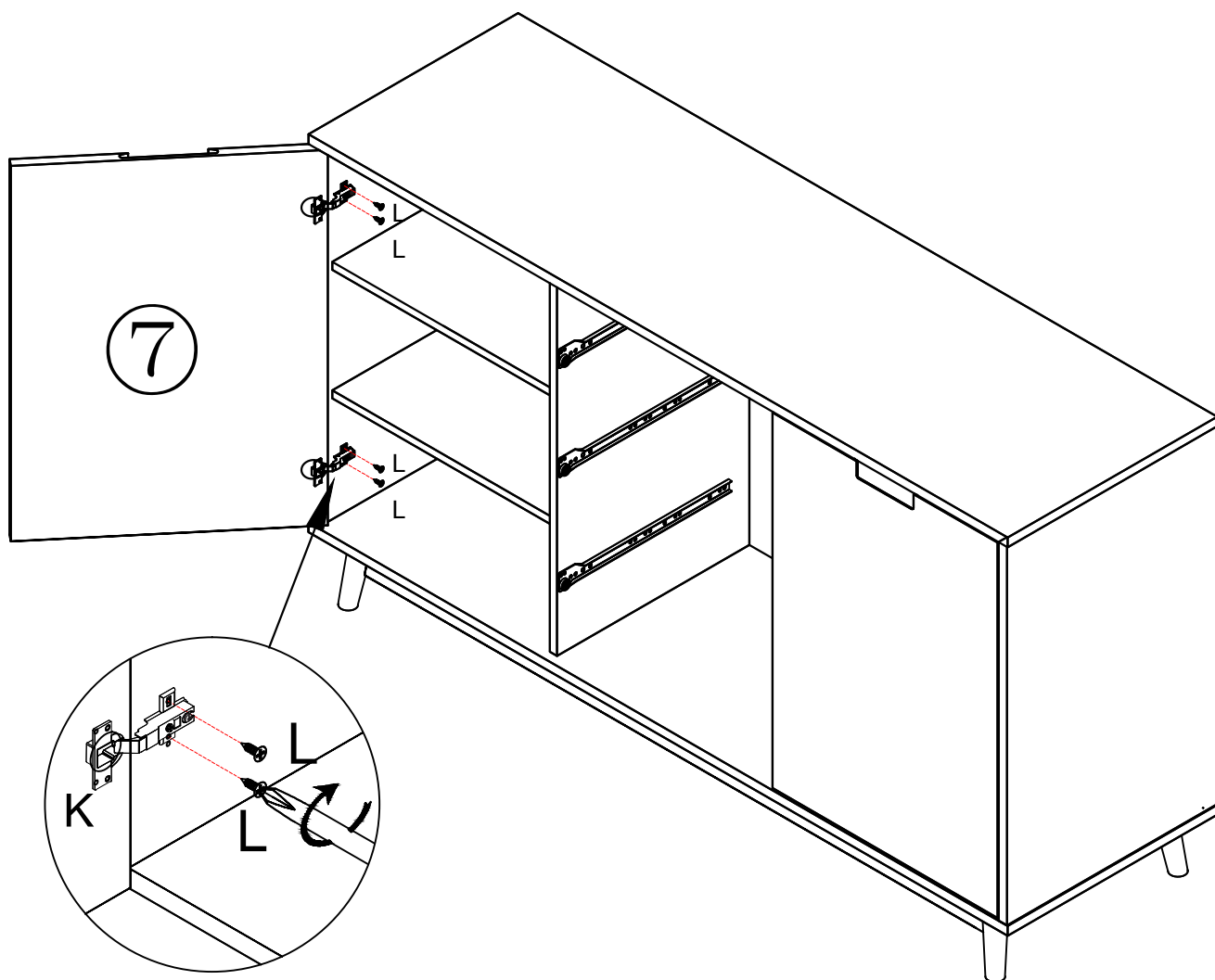
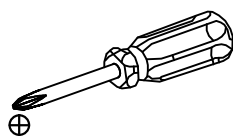
Lx4



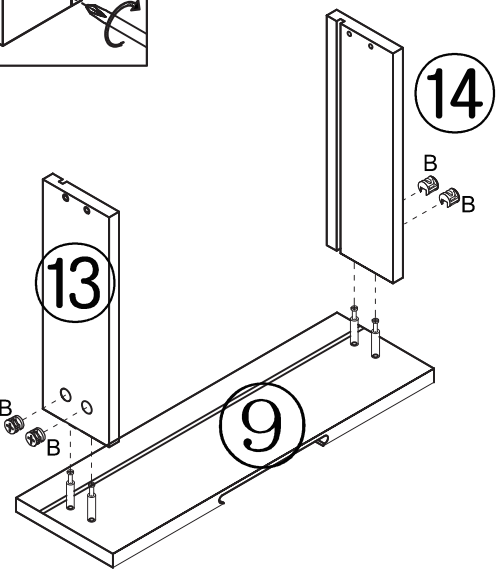
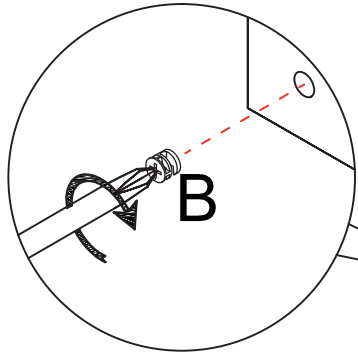
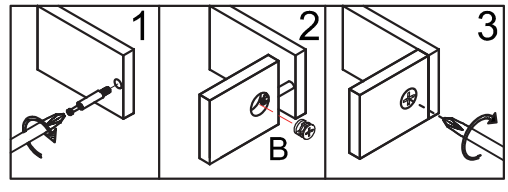
# 14



Lx4

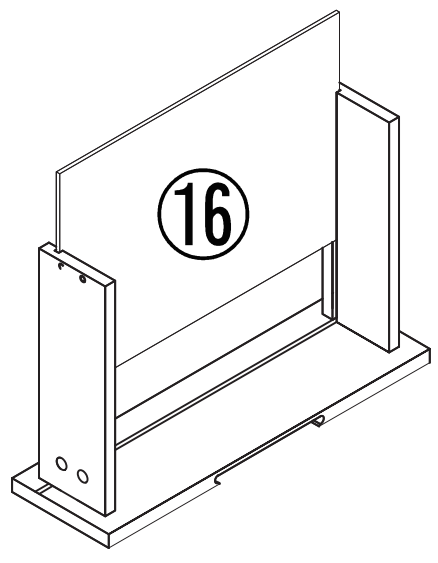


# 15



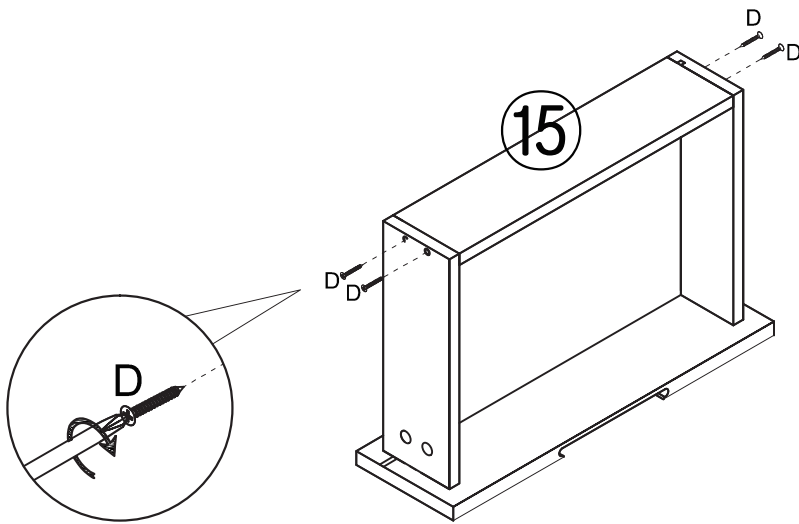
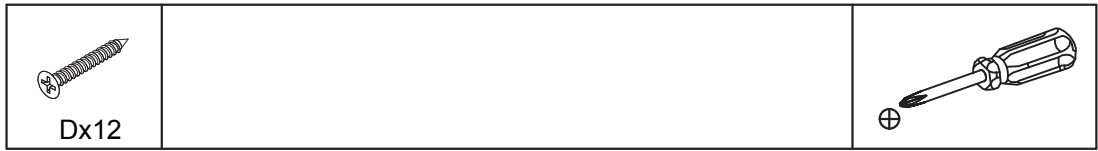
# x3

# 16



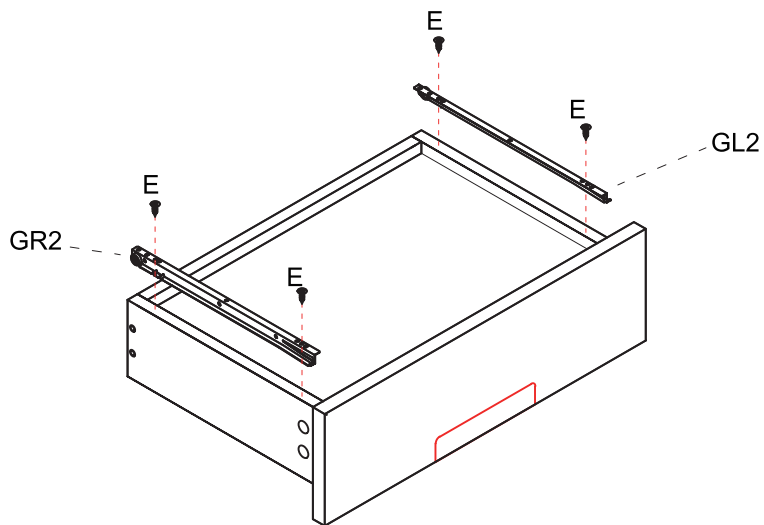
# x3

# 17



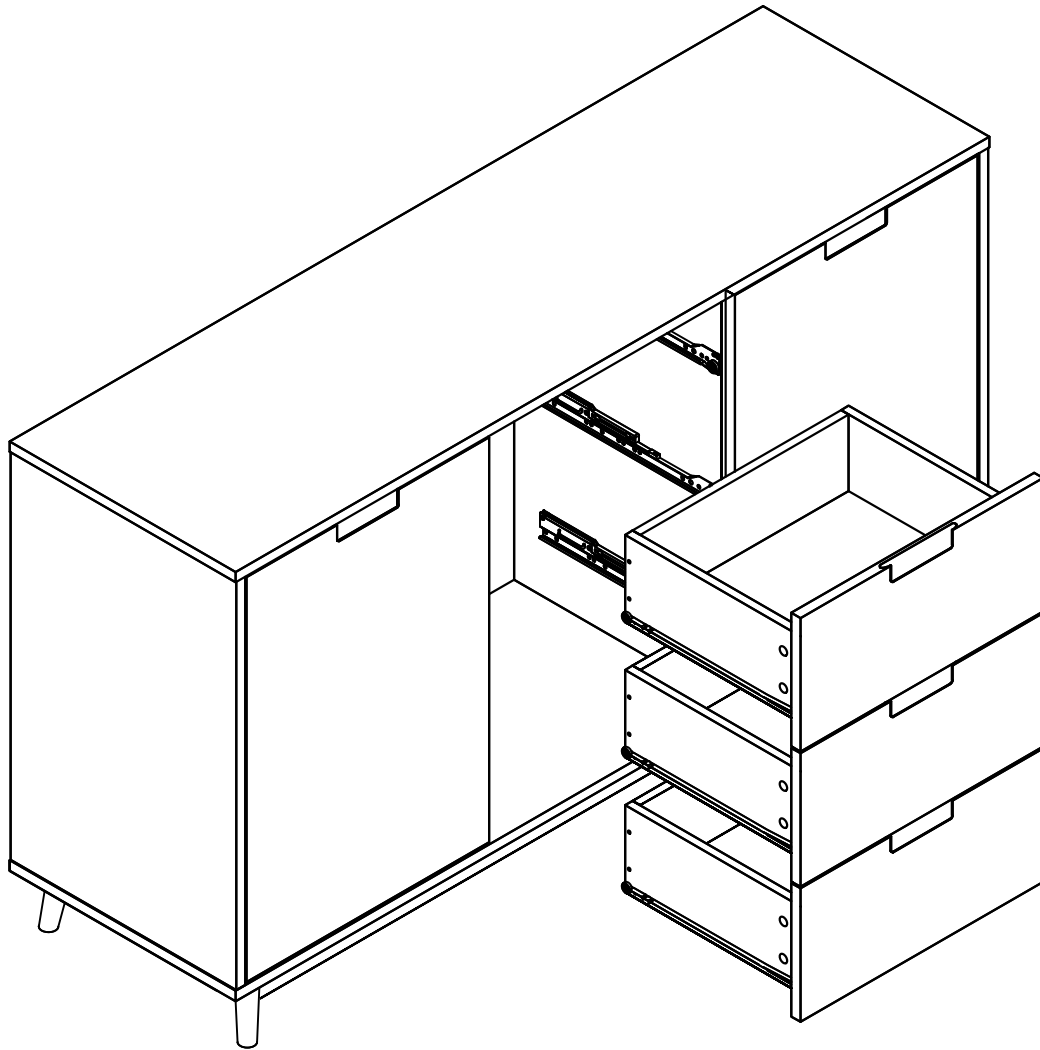
# x3

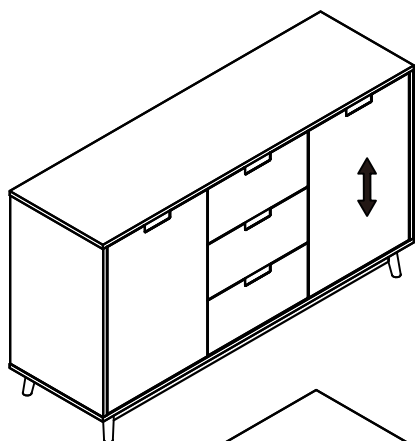
# 18



# x3

19

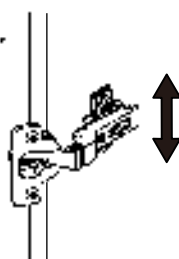




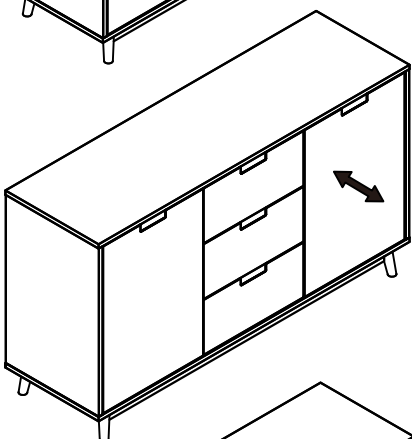
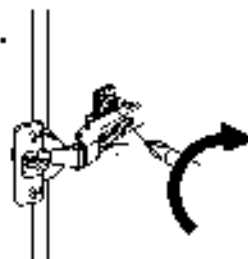
1.



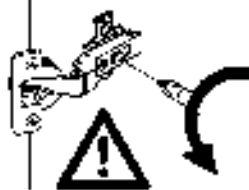
2.



3.



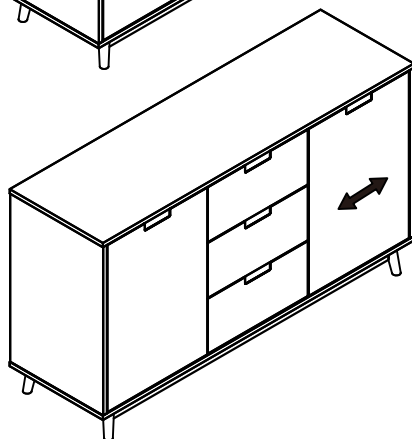
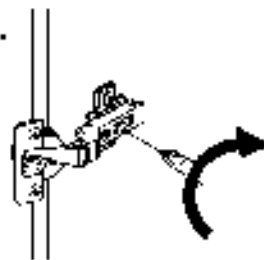
1.



2.



3.



1.



2.



3.

