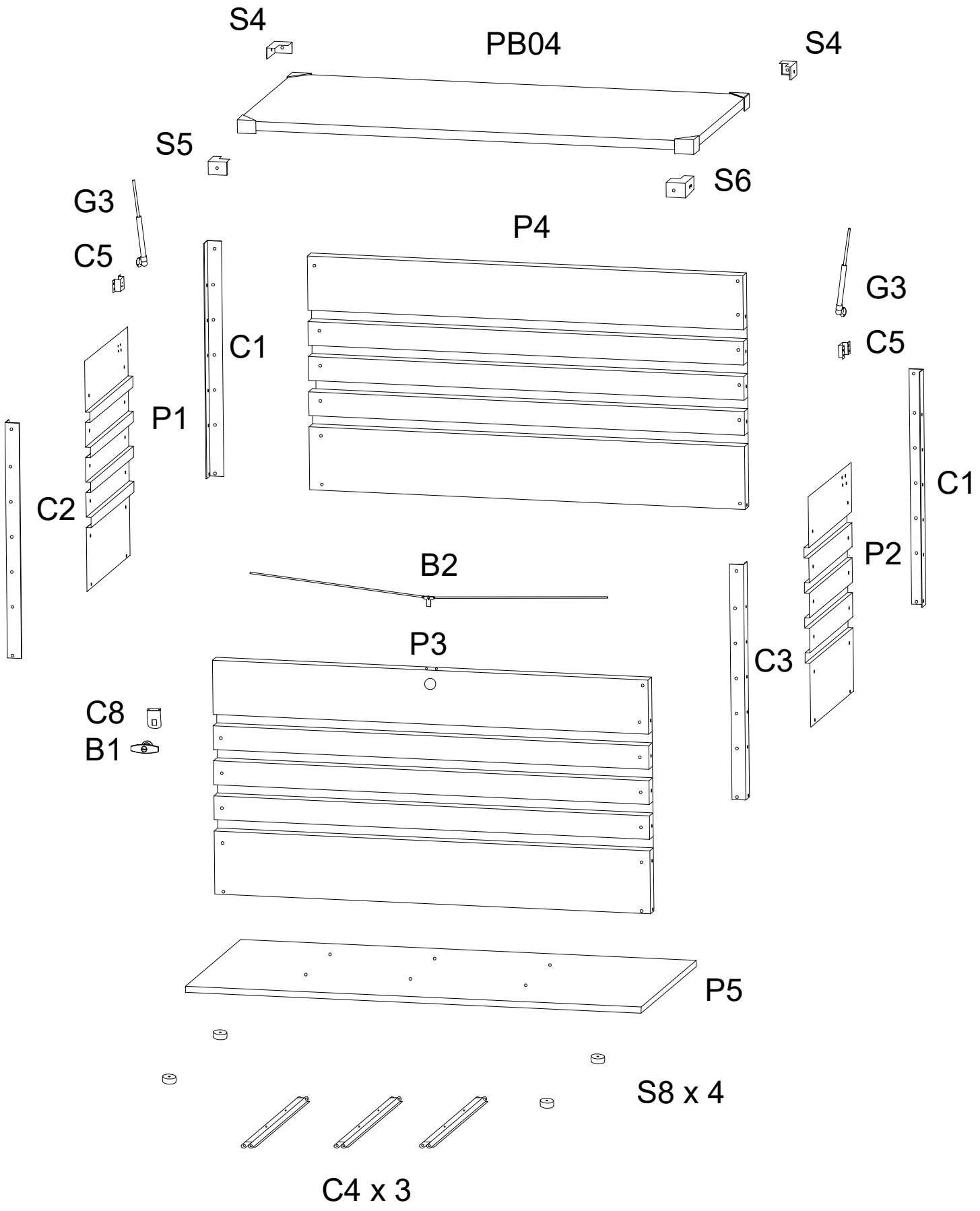
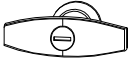




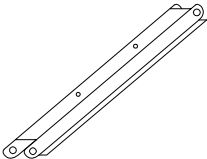
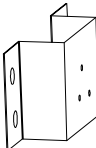
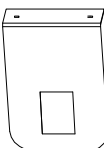
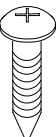
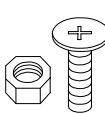
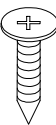



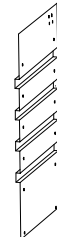
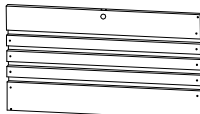


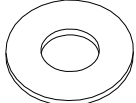
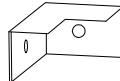
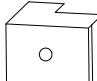
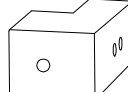
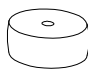




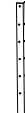
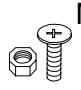

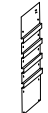
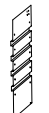
Assembly instructions for step 1/12:

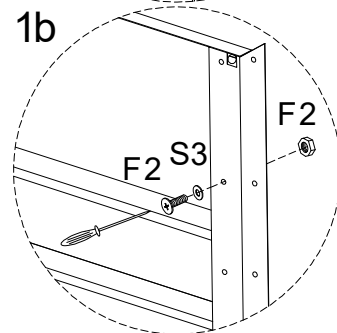
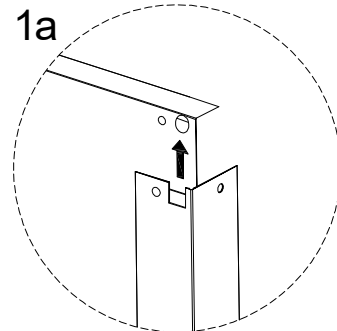
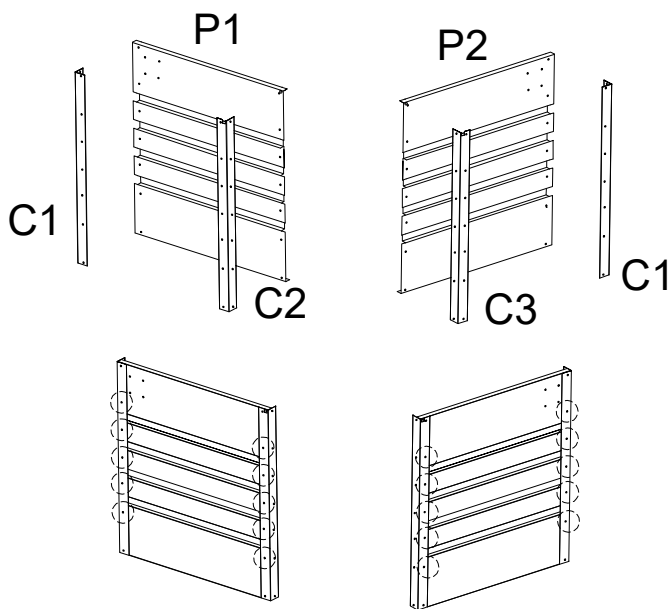
- Tools:** A screwdriver is required (shown in a circle). A power drill is not required (shown with a diagonal line through it).
- Warnings:** Two warning triangles with exclamation marks are present, one above each tool icon.
- Time:** A clock icon indicates a 90-minute assembly time.
- Personnel:** An icon of a person indicates that 2 people are required for assembly.



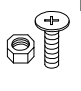

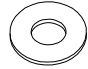
<p><b>B1</b></p>  <p>x 1</p>	<p><b>B2</b></p>  <p>x 1</p>	<p><b>C1</b></p>  <p>x 2</p>	<p><b>C2</b></p>  <p>x 1</p>	
<p><b>C3</b></p>  <p>x 1</p>	<p><b>C4</b></p>  <p>x 3</p>	<p><b>C5</b></p>  <p>x 2</p>	<p><b>C8</b></p>  <p>x 1</p>	
<p><b>F1</b></p>  <p>M4 x 10</p> <p>x 50</p>	<p><b>F2</b></p>  <p>M4 x 12</p> <p>x 65</p>	<p><b>F8</b></p>  <p>M4 x 15</p> <p>x 6</p>	<p><b>G3</b></p>  <p>x 2</p>	<p><b>PB04</b></p>  <p>x 1</p>
<p><b>P1</b></p>  <p>x 1</p>	<p><b>P2</b></p>  <p>x 1</p>	<p><b>P3</b></p>  <p>x 1</p>	<p><b>P4</b></p>  <p>x 1</p>	<p><b>P5</b></p>  <p>x 1</p>
<p><b>S3</b></p>  <p>x 84</p>	<p><b>S4</b></p>  <p>x 2</p>	<p><b>S5</b></p>  <p>x 1</p>	<p><b>S6</b></p>  <p>x 1</p>	<p><b>S8</b></p>  <p>x 4</p>

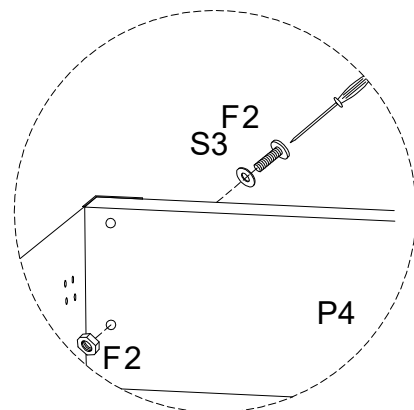
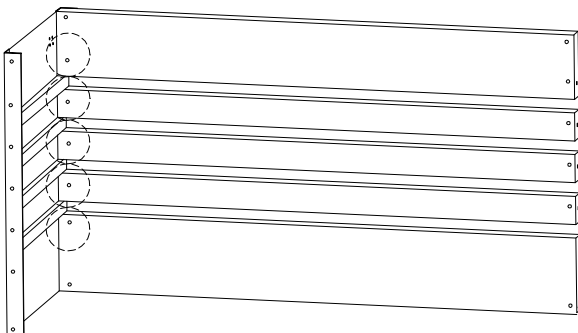
1

<b>C1</b>  x 2	<b>C2</b>  x 1	<b>C3</b>  x 1	<b>F2</b>  M4 x 12 x 20	<b>S3</b>  x 20	<b>P1</b>  x 1	<b>P2</b>  x 1
---	---	---	--	---	---	---

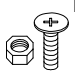

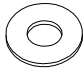


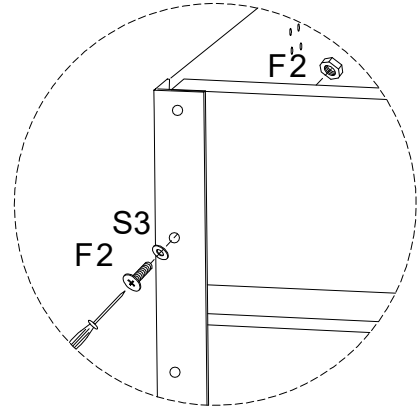
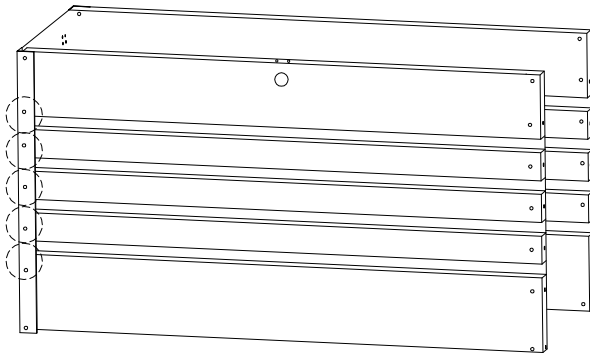
2

<b>F2</b>  M4 x 12 x 5	<b>P4</b>  x 1	<b>S3</b>  x 5
---	---	---

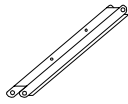


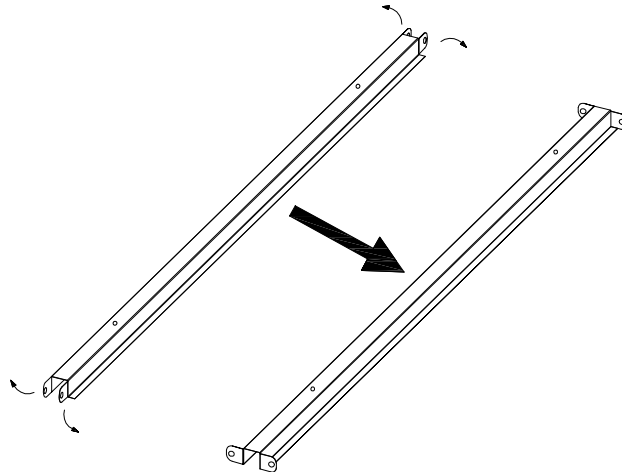
3

<p>F2</p>  <p>M4 x 12 x 5</p>	<p>P3</p>  <p>x 1</p>	<p>S3</p>  <p>x 5</p>
--	--	--



4

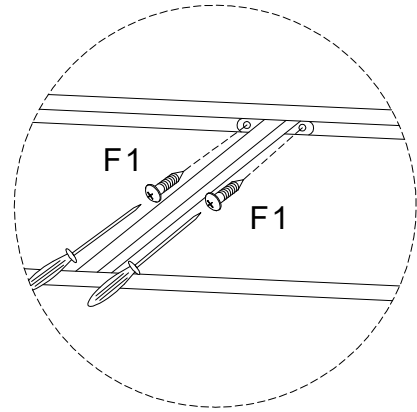
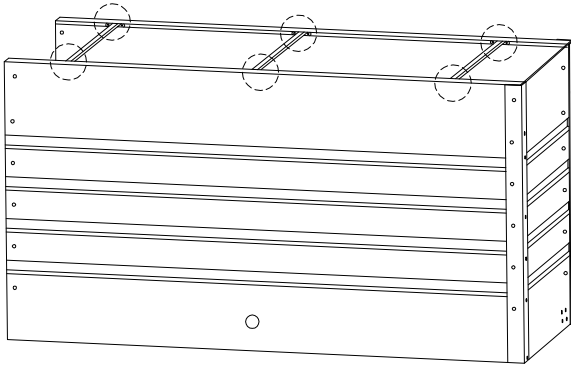
<p>C4</p>  <p>x 3</p>
--



5

F1

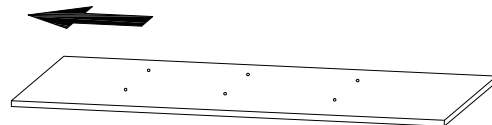
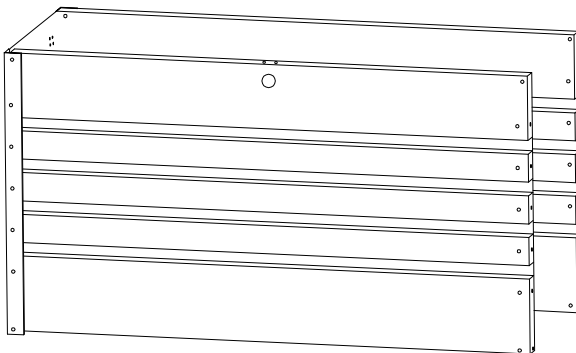
M4  
x  
10  
x 12



6

P5

x 1



7

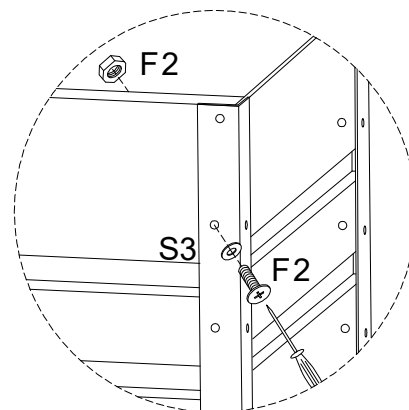
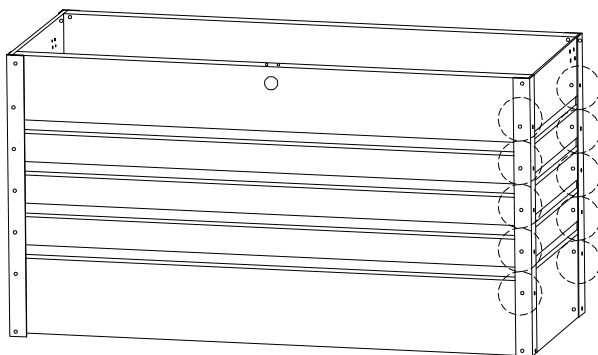
F2

M4  
x  
12  
x 10

S3



x 10



8

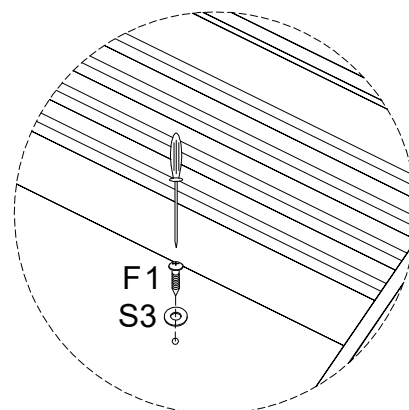
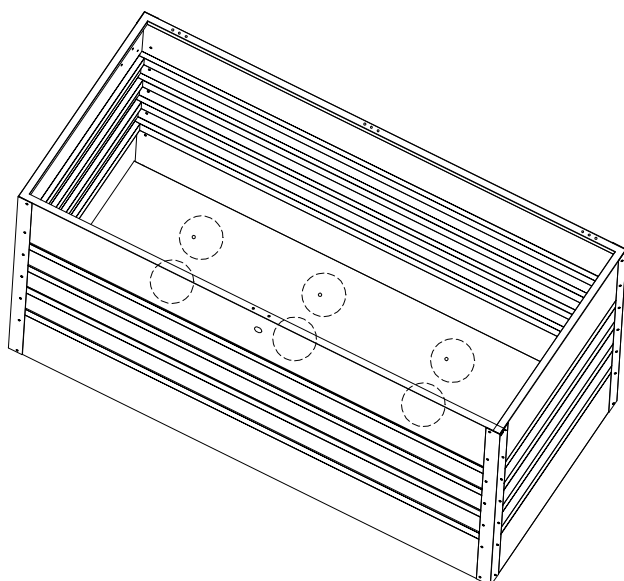
F1

M4  
x  
10  
x 6

S3

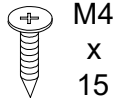


x 6



9

F8

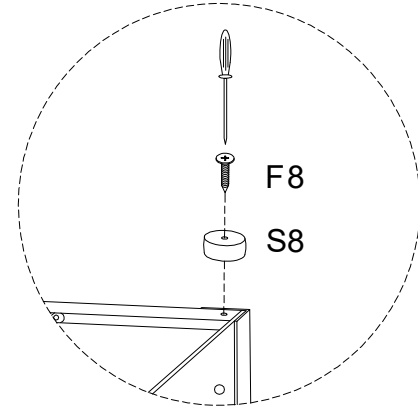
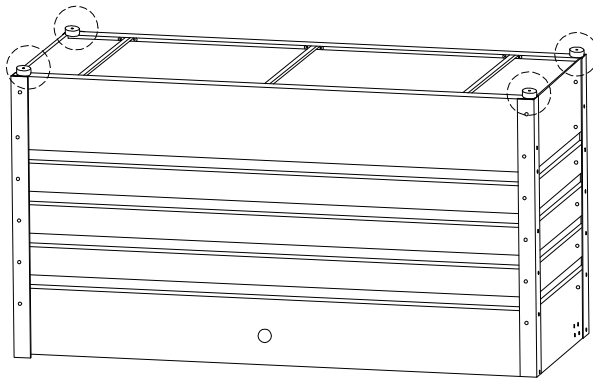


x 4

S8

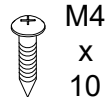


x 4



10

F1

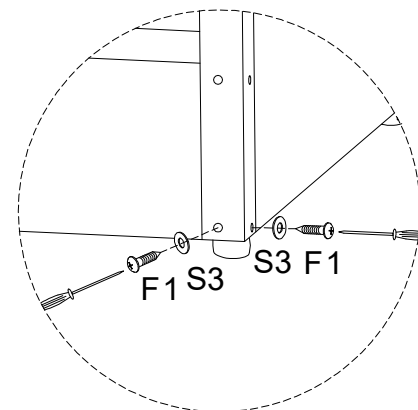
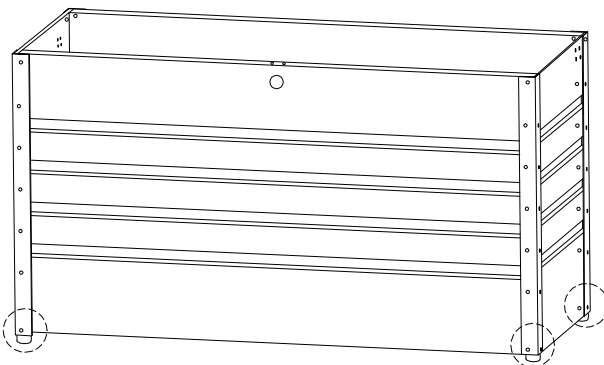


x 8

S3

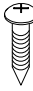

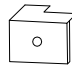
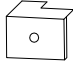
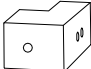


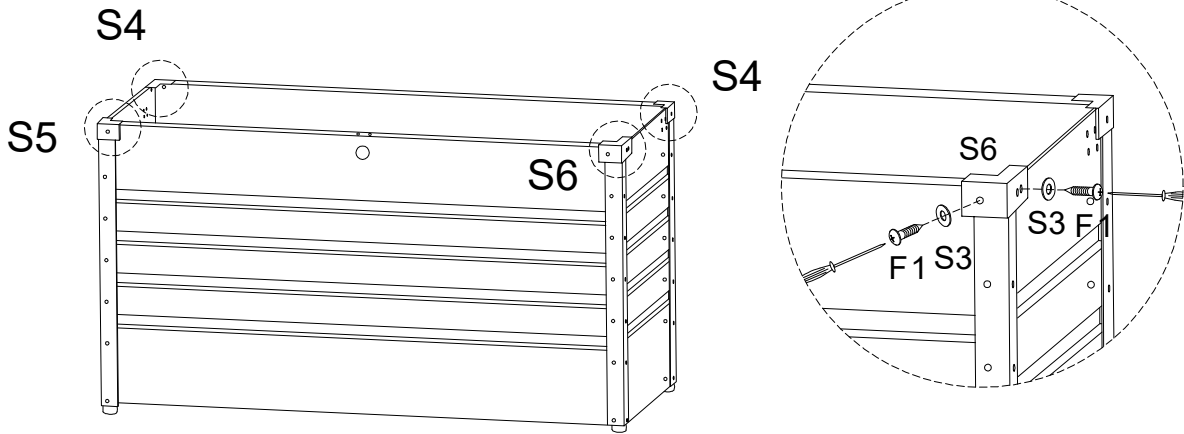
x 8







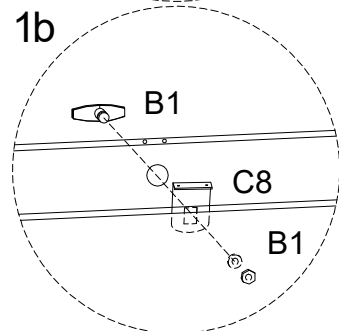
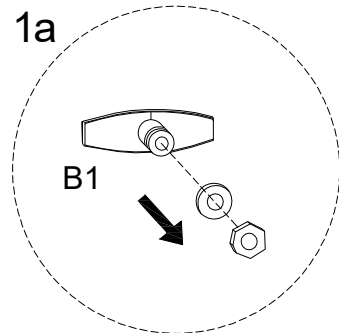
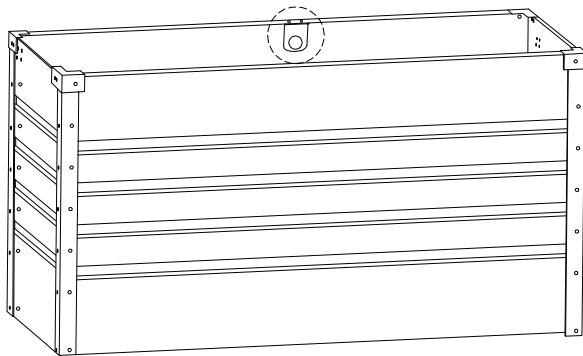
11

F1  M4 x 10 x 8	S3  x 8	S4  x 2	S5  x 1	S6  x 1
--	--	--	--	--



12

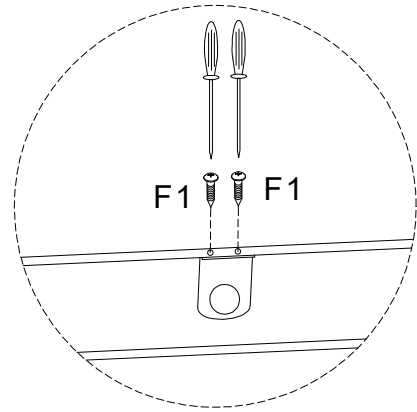
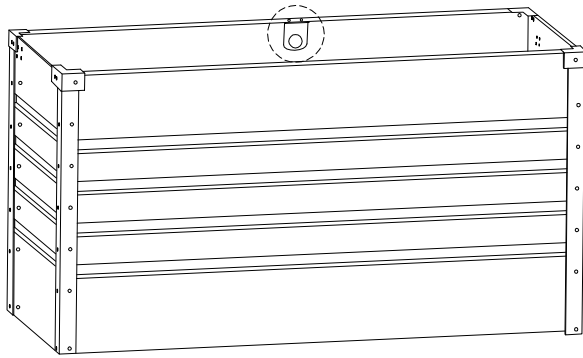
B1  x 1	C8  x 1
--	--



13

F1

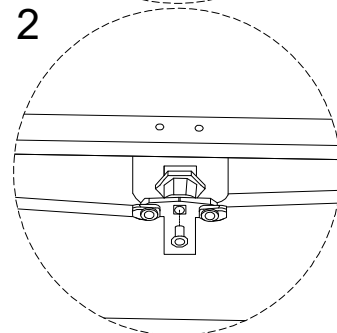
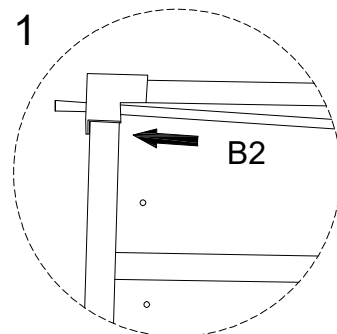
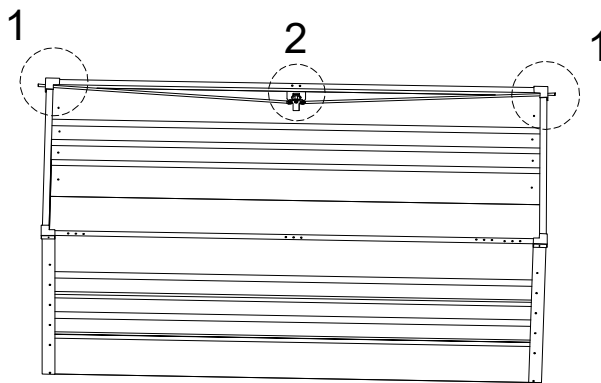
M4  
x  
10  
x 2



14

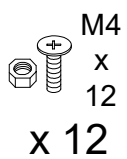
B2

x 1



15

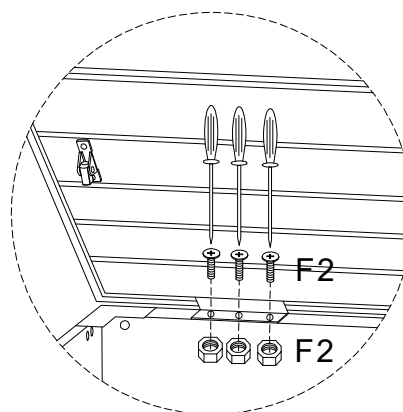
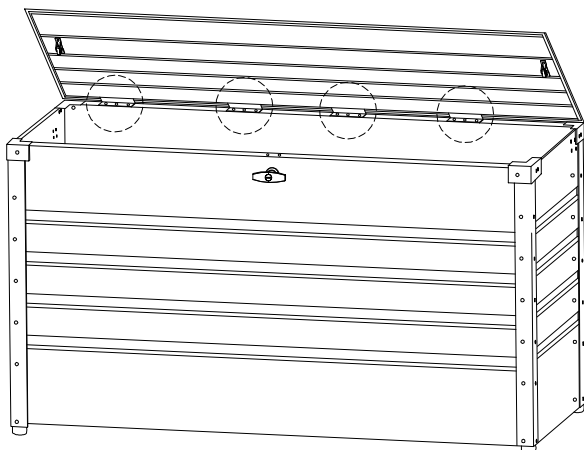
F2



Pb04



x 1



16 x 2

C5



x 1

G3

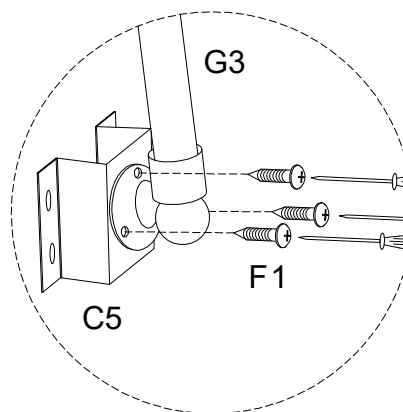
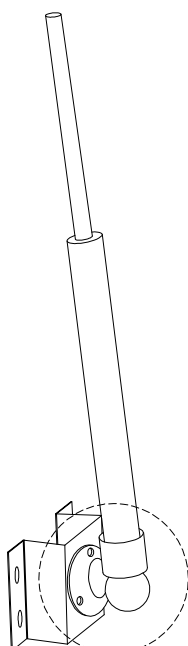


x 1

F1



x 3



17

F2

M4  
x  
12  
x 8

