

★★★ TRISTAR

AC-5517
AC-5519
AC-5517CH
AC-5519CH



EN | Instruction manual

NL | Gebruiksaanwijzing

FR | Mode d'emploi

DE | Bedienungsanleitung

ES | Manual de usuario

PT | Manual de utilizador

IT | Manuele utente

SV | Bruksanvisning

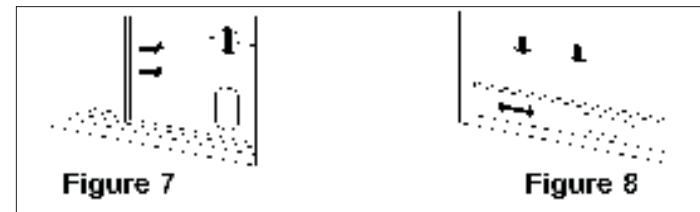
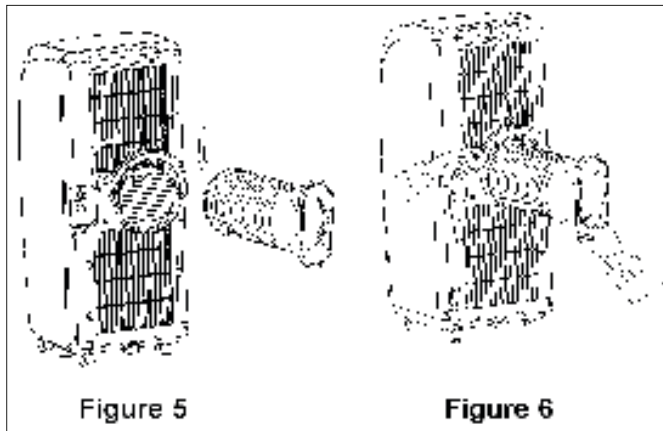
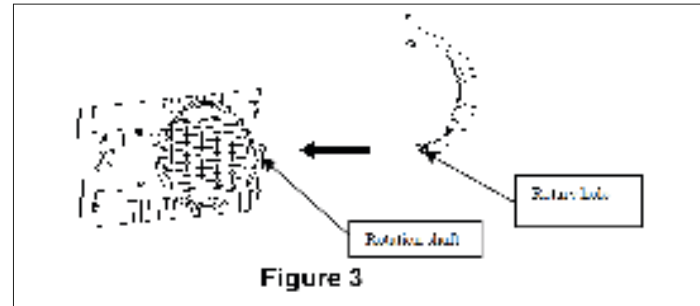
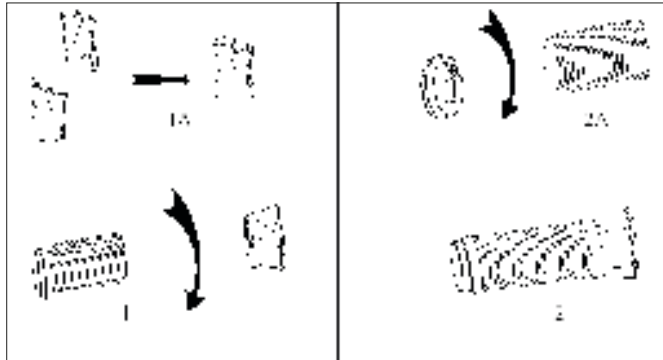
PL | Instrukcja obsługi

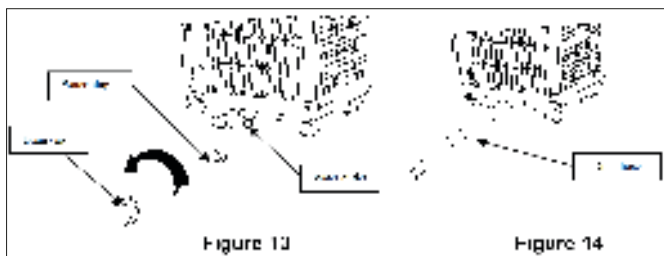
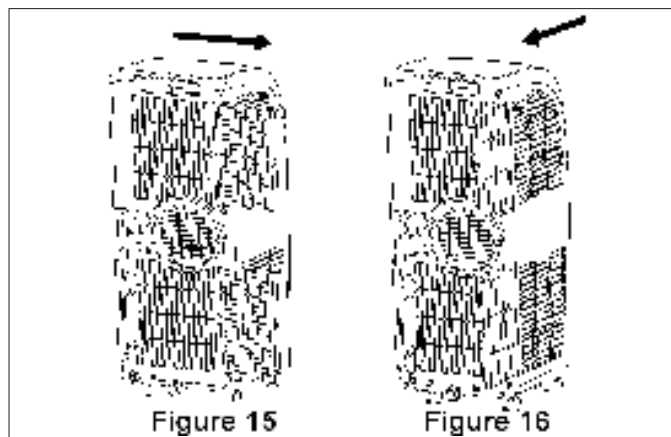
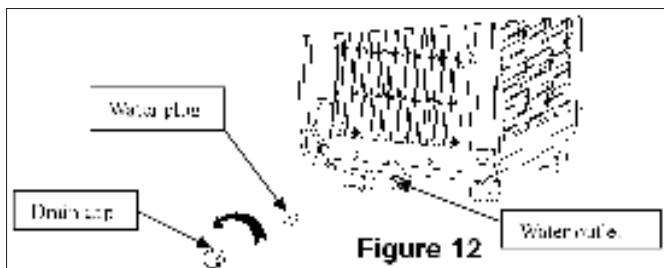
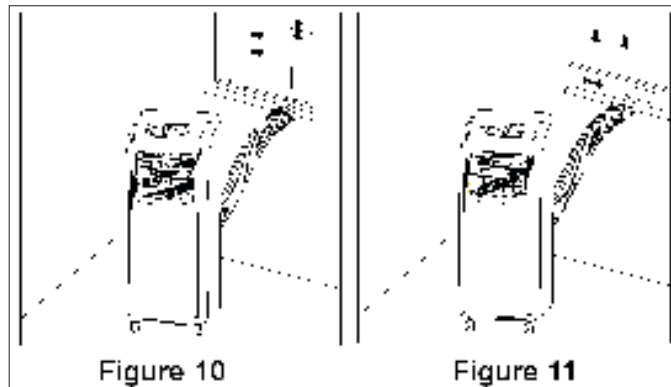
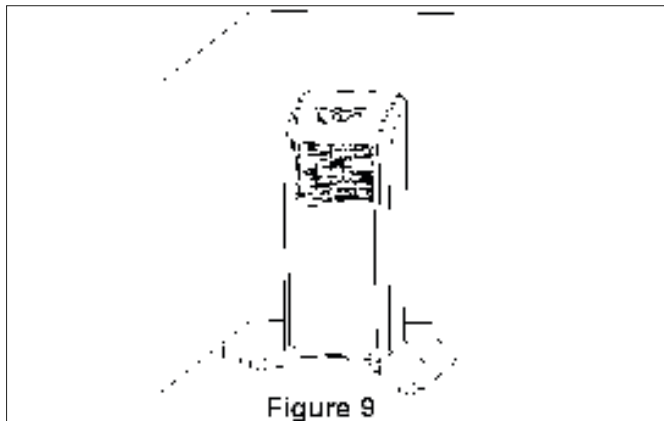
CS | Návod na použití

SK | Návod na použitie




service
.tristar.eu





IMPORTANT SAFEGUARDS

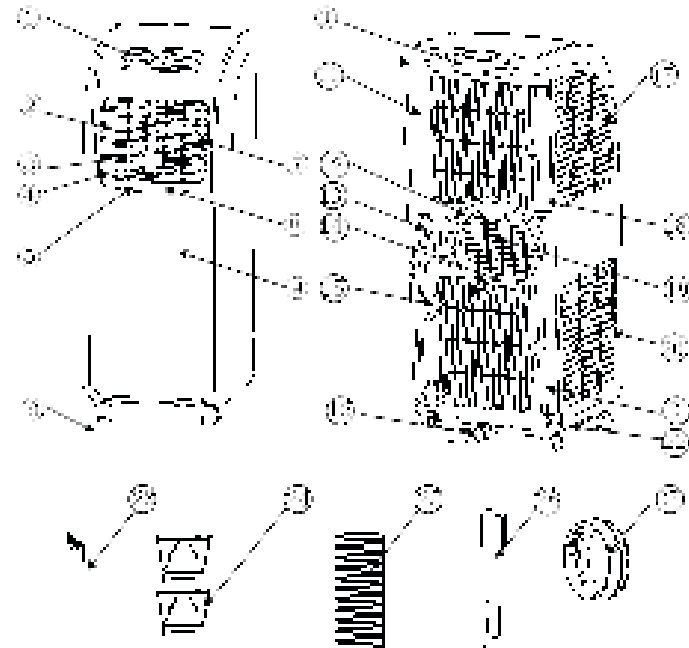
- This air-conditioner is suitable for indoor use only rather than for other occasions.
- Rated operating range: this unit shall be connected to 220-240V / 50Hz power output end.
- The air-conditioner shall be installed in accordance with the wiring rules of local grid to ensure proper grounding. Should you have any question about electrical installation, follow the User's Manual or have the installation done by professional electrician whenever necessary.
- Please put this unit in a flat and dry place and keep it at least 50cm away from surrounding objects or walls.
- Once the air-conditioner is installed, ensure that the plug wire is in good condition and inserted firmly into the power socket and always ensure that the power cord is arranged in order to prevent the personnel from stumbling over it or the plug from being pulled out.
- Do not insert any object into the air inlet/outlet of the air-conditioner. Be sure to keep the air inlet/outlet of the air-conditioner unblocked.
- Where there is the need to install a drain pipe, ensure that the connection of the drain pipe is in good condition without flexure.
- When adjusting the horizontal/vertical louver at the air outlet, turn it slightly by hand to avoid damage of the louver.
- Keep the unit in an upright position when moving it.
- Keep this unit away from gasoline, flammable gases, oven or other heat sources.
- Do not dismantle, inspect or modify the unit without authorization as this may result in fault of the unit, and even bodily injury & property damage; to avoid dangers, if the unit is faulty, be sure to have it repaired by the manufacturer or professionals.
- Do not install and operate this air-conditioner in a bathroom or other wet environments.
- Do not allow the children to play with this machine. Closely supervise the children or disabled people when this unit is in use.
- Do not turn off this unit by removing the plug.
- Do not place such objects as cups on the unit to prevent water or other liquids from spilling into the air-conditioner.
- Do not use pest control aerosol or other flammable substances near the air-conditioner.
- Do not wipe or wash the unit with chemical solvents such as gasoline and alcohols, etc. Before cleaning the air-conditioner, be sure to turn off the power supply and wipe it with soft semi-wet cloth; if the machine is indeed very dirty, wipe it with neutral cleaner
- Do not operate this unit if the ambient temperature is higher than 35°C in the cooling mode.
- The appliance can be used by children aged from 8 years and above and persons with reduced physical, sensory or mental capabilities or lack of experience and knowledge if they have been given supervision

or instruction concerning use of the appliance in a safe way and understand the hazards involved. Children shall not play with the appliance. Cleaning and user maintenance shall not be made by children unless they are older than 8 and supervised.

- Keep the appliance and its cord out of reach of children less than 8 years.

PARTS

1. Control panel
2. Horizontal louver
3. Vertical louver
4. Air outlet frame
5. Vertical Louvre connecting lever
6. Caster
7. Horizontal louver connecting lever
8. Main vertical louver
9. Front shell
10. Handle position
11. Back shell
12. C shape buckle of the heat exhaust
13. Power cord
14. Lower air duct bottom
15. Wire-winding post
16. Drain cap
17. Evaporator filter mesh
18. Evaporator filter frame
19. Radiating fine mesh
20. Condenser filter mesh
21. Condenser filter frame
22. Base plate (Right side: remote control storage area)
23. Remote control
24. Heat exhaust hose outer connector
25. Heat exhaust hose exhaust hose snap
26. Window sealing board assembly
27. Round Connector



INSTALLATION

- Warning: leave this mobile air-conditioner in an upright position for at least 2 hours before first use.
- This air-conditioner may be moved indoor conveniently; leave the air-conditioner in an upright position while moving it. The air-conditioner shall be placed on a flat ground surface. Do not install or operate this air-conditioner in a bathroom or other wet environments.

ASSEMBLY

Heat exhausts hose

- Heat exhausts outer connector (Figure 1A)
- Heat exhaust hose short connector (Figure 2A)
- Heat exhausts outer connector (Figure 1)
- Take out the two pieces of the heat exhaust hose outer connector, these two pieces are the same in structure.
- Hold one piece with each hand, put the joint of one piece toward the other one's groove, and press them to make them snap tightly (Figure 1A).
- Take out the heat exhaust hose both connectors, screw both connectors into the heat exhaust hose (Figure 1 + 2A).

Installation of the C shape buckle of the heat exhaust hose

Place the rotatory hole of the C shape buckle over the rotation shaft on the back of the unit (as shown in Figure 3).

Installation of the heat exhaust hose

- Lift up the C shape buckle with one hand and place with your other hand the short connector of the heat exhaust hose in the recess on the back of the unit. (as shown in Figure 5).
- Lock exhaust hose firmly by pushing the C shape buckle downwards until it clicks. (as shown in Figure 5).

Installation of the window sealing board assembly

- Open the window and mount the window sealing board assembly onto the window, either vertically or horizontally (as shown in Figure 7 and 8).
- Pull apart the parts of the window sealing board assembly, adjust the distance of the assembly so the two ends of the assembly will come into contact with the window frame, fasten the parts of the assembly with copper screws.

Installation of the unit

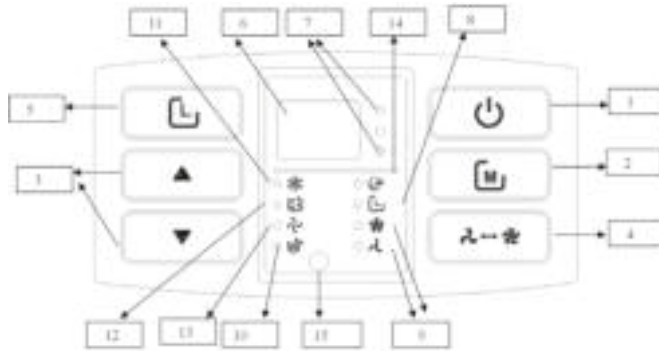
- Make sure the unit is placed with at least 50cm away between the walls or other objects. (As shown in Figure 9).
- Snap the flat end of the heat exhaust hose into the elliptical hole of the window sealing board assembly (as shown in Figure 10 and 11).

Important notes

- The exhaust hose is 280mm-1500mm long and this length is determined based on the specification of the air-conditioner (s). Do not use prolonged hose or replace with other different hoses as this may affect the functions of the air-conditioner. The exhaust must be smooth and the air-conditioner may overheat if the exhaust is obstructed.
- The heat exhaust hose may not be bent and shall be free from significant (greater than 45°) flexure, the heat exhaust hose shall be ventilated properly.

OPERATION INSTRUCTIONS OF THE CONTROL PANEL

- | | |
|---|-----------------------------------|
| 1. On/Off Button | 9. High/Low indicator |
| 2. Mode Button | 10.Full water indicator |
| 3. Up/Down Button | 11.Cool indicator |
| 4. Fan Button | 12.Dehumidify indicator |
| 5. Timer Button | 13.Fan indicator |
| 6. Double 88 display area | 14.Sleep mode indicator |
| 7. Celsius/ Fahrenheit degree indicator | 15.Remote control sensor location |
| 8. Timer indicator | |



OPERATION INSTRUCTIONS:

- When the unit be plugged in for the first time, the buzzer will beep, the display will show the ambient temperature and the temperature display range is 10—35 °C. The unit enters the standby mode.
- Press the on off button to start or shut down the unit. The unit will enter in the cooling mode. The fan speed is high and the set temperature is 23°C.
- Press the mode button to switch among cooling, air supplying, and drying modes. In the meanwhile, corresponding indicators will illuminate.
- Cooling mode: Press Mode Button to choose this mode. In this mode,

press the Up/Down Button to set desired temperature. The temperature range is 17~ 30°C. One press makes the temperature rise or fall 1°C. Press Fan Button to choose suitable fan speed. Press Timer Button + Down Button together and to choose Sleep mode. Under this mode, after the unit operates for 2 hours, the setting temperature raises 1°C automatically. After operating for another 2 hours, the setting temperature raises 1°C again. After that, the setting temperature won't change.

- In the dry mode, if the ambient temperature is higher than 17°C, the compressor will start. When the ambient temperature will come below 15°C, the compressor shuts down. When the ambient temperature rises to be higher than 17°C, the compressor starts again.
- In the air supply mode, only the fan motor works.

Fan button

The fan will operate in the following manners in the cooling mode (except the sleep mode) and air supply mode: high > low > high.

Timer button

- During operation press the Timer button to enter the shutdown time.
- During standby press the Timer button to enter the start time. In the meanwhile, the timer indicator will illuminate.
- Press the Timer button to enter the timing function (start/ shutdown). Use the up or down button to set the desired time in hours.
- After the start or shutdown time is set, the timer indicator will extinguish and the ambient temperature is displayed.

Up/ down button

- Press the up button or down button when displaying the ambient temperature, the ambient temperature will change to the desired temperature (the unit will not respond to this operation in the air supply and dry modes).
- In the cooling mode, the temperature setting range is 17~30°C.
- Press the up and down button simultaneously to switch between the Fahrenheit degree and Celsius degree. When the Celsius degree is displayed, the Celsius degree indicator illuminates.

WATER DRAINAGE

Manual (Figure 12)

- Once the unit shuts down upon full water, turn off the unit and unplug the power plug.
- Put a tray for the water below the water outlet at the back of the unit.
- Screw off the drain cap, unplug the water plug and water will flow out.
- Tilt the unit slightly backward when draining.
- If the water tray is full before the unit is empty block the water outlet with the water plug as soon as possible to prevent the water from flowing onto the ground or carpet.
- Once the water is fully drained, insert the water plug and screw on the water cap tightly.
- Turn on the unit only after the water plug and drain cap are installed properly; otherwise, the condensate of the unit will flow onto the ground or carpet.

Continuous drain (Figure 13 + 14)

1. Screw off the water cap insert a 13mm PVC drain hose 8mm-10mm into the water outlet.
2. Connect the drain hose to the toilet or outdoor.
3. When operating in the heating mode, adopt continuous drain; otherwise, the unit may shut down due to full water.
4. Put the drain hose in an inaccessible place at a height not above the water outlet and keep the drain hose free from flexure.

Maintenance and Servicing

Prior to maintenance and servicing of the unit, turn off the power and unplug the plug.

- Clean the surface of the unit with wet soft cloth. Do not use chemical solvents such as alcohol and gasoline; otherwise, the surface of the air-conditioner may be damaged.
- Clean the filters once every two weeks. If the filter frame and filter are clogged with dust, the function of the air-conditioner may decrease
- Take out the filter frame gently in the direction shown by the arrow (as shown in Figure 15 + 16).
- Put the filters into warm water (about 40°C) to which neutral cleaner is added for cleaning and then dry them in the shade.
- Make sure the filters are completely dry before placing them back in the unit.

TROUBLESHOOTING

Problem/fault indication	Cause	Remedy
The air-conditioner does not work	<ul style="list-style-type: none"> • No power • Full water indicator illuminates? • Ambient temperature too low ? • The room temperature is lower than the set temperature in the cooling mode. 	<ul style="list-style-type: none"> • Connect the unit to a live socket and turn it on. • Drain the water stored in the unit. • It is recommended that this unit be operated at 10-35°C. • Change the set temperature
Bad cooling or heating effects	<ul style="list-style-type: none"> • There is direct sunlight • The doors and windows are open, the room is crowded or there are other heat sources in the cooling mode • Filter mesh very dirty • Air inlet or air outlet clogged 	<ul style="list-style-type: none"> • Draw the curtain on. • Close the door and window and add new air-conditioners • Clean or replace the filter mesh • Remove the obstruction
Large noise	<ul style="list-style-type: none"> • Air-conditioner not put on a flat surface 	<ul style="list-style-type: none"> • Put the air-conditioner in a flat and firm place (may reduce noise)
The compressor does not work	<ul style="list-style-type: none"> • Initiation of overheat protection. 	<ul style="list-style-type: none"> • Wait 3 minutes until the temperature decreases and then turn on the unit
The remote control does not work	<ul style="list-style-type: none"> • Too long a distance • The remote control does not point toward the receiving head of the remote control • The batteries have no electricity 	<ul style="list-style-type: none"> • Bring the remote control close to the air-conditioner and ensure that the remote control points toward the receiving head of the remote control. • Replace the batteries
Display E1	<ul style="list-style-type: none"> • Pipe temperature sensor failure 	<ul style="list-style-type: none"> • Check the pipe temperature sensor and related circuits
Display E2	<ul style="list-style-type: none"> • Room temperature sensor failure 	<ul style="list-style-type: none"> • Check the room temperature sensor and related circuits
Display E4	<ul style="list-style-type: none"> • Anti-freeze protection 	<ul style="list-style-type: none"> • Restore the functions automatically once defrozen.
Full water indicator illuminates	<ul style="list-style-type: none"> • The water in the baseplate of the unit reaches the full water level 	<ul style="list-style-type: none"> • Drain the water in the baseplate.

GUARANTEE

- This product is guaranteed for 24 months granted. Your warranty is valid if the product is used in accordance to the instructions and for the purpose for which it was created. In addition, the original purchase (invoice, sales slip or receipt) is to be submitted with the date of purchase, the name of the retailer and the item number of the product.
- For the detailed warranty conditions, please refer to our service website: www.service.tristar.eu



ENVIRONMENT

This appliance should not be put into the domestic garbage at the end of its durability, but must be offered at a central point for the recycling of electric and electronic domestic appliances. This symbol on the appliance, instruction manual and packaging puts your attention to this important issue. The materials used in this appliance can be recycled. By recycling of used domestic appliances you contribute an important push to the protection of our environment. Ask your local authorities for information regarding the point of recollection.

SUPPORT

You can find all available information and spare parts at service.tristar.eu!

BELANGRIJKE VEILIGHEIDSMATREGELEN

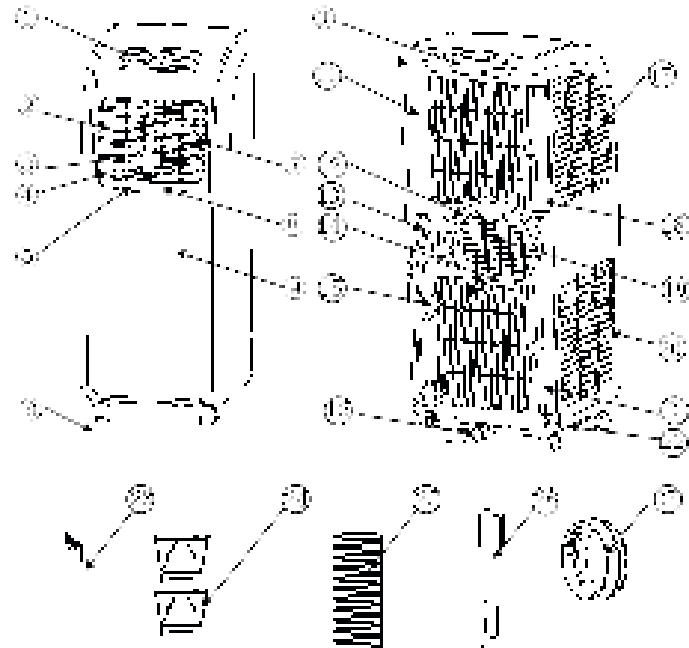
- Deze airconditioner is geschikt voor gebruik binnenshuis, en niet onder andere omstandigheden.
- Gebruik: dit apparaat moet worden aangesloten op stopcontact met 220-240V / 50Hz.
- De airconditioner moet worden geplaatst volgens de plaatselijk geldende regels, om een goede aarding te bewerkstelligen. Als u vragen heeft over de elektrische installatie, volg dan de Gebruiksaanwijzing of besteed de installatie indien mogelijk uit aan een professionele elektriciën.
- Plaats het apparaat op een vlakke, droge plek op tenminste 50cm afstand van voorwerpen of muren.
- Als de airconditioner is geïnstalleerd, zorg dan dat de stekker in goede conditie is, en goed in het stopcontact zit, en zorg er altijd voor dat het snoer weggestopt is, zodat niemand erover struikelt, of dat de stekker uit het stopcontact wordt getrokken.
- Druk geen voorwerpen in de lucht in/uitlaten van de airconditioner. Zorg ervoor dat de lucht in/uitlaten van de airconditioner niet geblokkeerd zijn.
- Als er een afvoerbuis geïnstalleerd moet worden, zorg dan dat de afvoerbuis in goede conditie verkeert, en niet kan bewegen.
- Als u de horizontale/verticale ventilatiejalouzie van de uitblaasopening aanpast, draai deze dan een klein beetje met de hand, om schade eraan te voorkomen.
- Houd bij het verplaatsen het apparaat rechtop.
- Houd dit apparaat uit de buurt van benzine, onvlambare gassen, ovens en andere hittebronnen.
- Demonteer, inspecteer of wijzig het apparaat niet zonder toestemming, dit kan storing in het apparaat en zelfs verwondingen & schade aan bezittingen veroorzaken; om gevaar te voorkomen dient u, als het apparaat defect is, deze te laten repareren door de fabrikant of professionals.
- Plaats en gebruik deze airconditioner niet in een badkamer of andere natte omgevingen.
- Sta kinderen niet toe met dit apparaat te spelen. Houd kinderen of gehandicapten goed in de gaten als het apparaat in gebruik is.
- Schakel dit apparaat niet uit door de stekker uit het stopcontact te trekken.
- Plaats geen voorwerpen zoals kopjes op het apparaat, zodat er geen water of andere vloeistoffen in de airconditioner terecht kunnen komen.
- Gebruik geen anti-insecten spuitbussen of andere ontvlambare materialen in de buurt van de airconditioner.
- Gebruik geen chemische oplosmiddelen zoals benzine en alcohol om het apparaat af te vegen of te wassen. Zorg ervoor dat u de stekker uit het stopcontact trekt voordat u het apparaat schoonmaakt, veeg het af met een zachte, vochtige doek; als het apparaat erg vies is, neem het dan af met een neutraal schoonmaakmiddel.
- Gebruik het apparaat niet in de koelmode, als de omgevingstemperatuur hoger is dan 35°C.
- Dit apparaat kan door kinderen in de leeftijd vanaf 8 jaar en ouder en personen met verminderde lichamelijke, zintuiglijke of geestelijke vermogens of

gebrek aan ervaring en kennis worden gebruikt als zij onder toezicht staan of worden geïnstrueerd over het veilige gebruik van het apparaat en de betrokken gevaren begrijpen. Kinderen mogen niet met het apparaat spelen. Reiniging en onderhoud door de gebruiker mag niet door kinderen worden uitgevoerd, tenzij zij ouder dan 8 jaar zijn en onder toezicht staan.

- Houd het apparaat en het snoer buiten bereik van kinderen jonger dan 8 jaar.

ONDERDELEN

1. Bedieningspaneel
2. Horizontale jalouzie
3. Verticale jalouzie
4. Frame uitblaasopening
5. Verticale jalouzie vastzethendel
6. Zwenkwiel
7. Horizontale jalouzie vastzethendel
8. Hoofdjalouzie verticaal
9. Behuizing voor
10. Handgreep
11. Behuizing achter
12. C-vormige sluiting van de warmte uitlaat
13. Stroomsnoer
14. Onderste luchtkanaal
15. Snoer opwindbeugel
16. Afvoerklapje
17. Filtergaas verdamper
18. Filterframe verdamper
19. Fijn gaas radiator
20. Filtergaas condensator
21. Filterframe condensator
22. Basisplaat (Rechterzijde: afstandsbediening opbergvak)
23. Afstandsbediening
24. Warmte afvoerslang buitenste aansluiting
25. Warmte afvoerslang afvoerslangkous
26. Raam afdichtbord
27. Ronde Aansluiting



INSTALLATIE

- Waarschuwing: laat deze mobiele airconditioner voor het eerste gebruik eerst 2 uur lang rechtop staan.
- Deze airconditioner kan eenvoudig binnen verplaatst worden; houd hem tijdens het verplaatsen rechtop. De airconditioner dient op een vlakke ondergrond geplaatst te worden. Plaats en gebruik deze airconditioner niet in een badkamer of andere natte omgevingen.

MONTAGE

Warmte afvoerslang

- Warmte afvoer buitenste aansluiting (Afbeelding 1A)
- Warmte afvoerslang korte aansluiting (Afbeelding 2A)
- Warmte afvoer buitenste aansluiting (Afbeelding 1)
- Haal de twee delen van de buitenste aansluiting van de warmte afvoerslang eruit, deze twee delen horen bij elkaar.
- Houd in iedere hand een deel, en steek het koppelstuk van het ene deel in de groef van het andere, druk ze in elkaar tot ze vastklikken (Afbeelding 1A).
- Haal de twee warmte afvoerslangaansluitingen eruit, schroef ze beide in de warmte afvoerslang (Afbeelding 1 + 2A).

Installatie van de C-vormige sluiting van de warmte afvoerslang

Plaats het ronde gat van de C-vormige sluiting over de rotatiebeugel aan de achterzijde van het apparaat (als in Afbeelding 3).

Installatie van de warmte afvoerslang

- Til de C-vormige sluiting met één hand op en leg uw andere hand op de korte aansluiting van de warmte afvoerslang in de geul aan de achterzijde van het apparaat. (zoals in Afbeelding 5).
- Vergrendel de afvoerslang goed door de C-vormige sluiting naar beneden te drukken tot deze vastklikt (zoals in Afbeelding 5).

Installatie van het raam afdichtbord

- Open het raam en plaats het raam afdichtbord in het raam, verticaal of horizontaal (zoals in Afbeelding 7 en 8).
- Trek de delen van het raam afdichtbord uit elkaar, en pas de breedte van het bord zo aan, dat de twee zijden van het board in contact staan met het raamkozijn, zet de delen van het bord vast met koperen schroeven.

Installatie van het apparaat

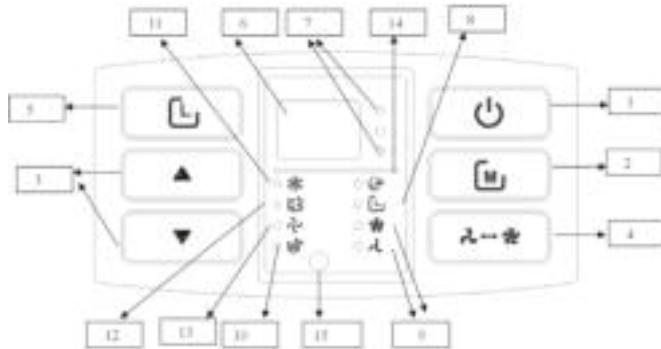
- Zorg ervoor dat het apparaat wordt neergezet op tenminste 50cm afstand van muren of andere objecten. (Zoals in Afbeelding 9).
- Klik het platte einde van de warmte afvoerslang in het elipsvormige gat van het raam afdichtbord (zoals in Afbeelding 10 en 11).

Belangrijke opmerkingen

- De afvoerslang is 280-1500mm lang en de lengte is afgesteld op de specificaties van de airconditioner(s). Gebruik geen verlengde slang, en vervang deze niet door een andere omdat dit het functioneren van de airconditioner kan beïnvloeden. De luchtafvoer moet ononderbroken zijn, en de airconditioner kan oververhit raken als de afvoer is geblokkeerd.
- De warmte afvoerslang mag niet gebogen worden, en dient vrij te zijn van scherpe hoeken (groter dan 45°), de warmte afvoerslang dient voldoende geventileerd te worden.

GEbruik VAN HET BEDIENINGSPANEEL

- | | |
|---|--------------------------------------|
| 1. Aan/Uit Knop | 9. Hoog/Laag indicatie |
| 2. Mode Knop | 10. Vol water indicatie |
| 3. Omhoog/Omlaag Knop | 11. Koel indicatie |
| 4. Ventilator Knop | 12. Vochtabsorbtie indicatie |
| 5. Timer Knop | 13. Ventilator indicatie |
| 6. Dubbel 88 scherm gedeelte | 14. Slaapmode indicatie |
| 7. Celsius/ Fahrenheit graden indicatie | 15. Afstandsbediening sensor locatie |
| 8. Timer indicatie | |

**GEbruikSAANWIJZING:**

- Als het apparaat voor het eerst wordt aangezet dan gaat de zoemer af, het scherm toont de omgevingstemperatuur en het temperatuurbereik op het scherm is 10—35 °C. Het apparaat schakelt in de standby mode.
- Druk op de aan/uit knop om het apparaat in of uit te schakelen. Het apparaat begint in de koelmode. De ventilatorsnelheid is hoog en de temperatuur is ingesteld op 23°C.
- Druk op de mode knop om te schakelen tussen koelen, luchtverversing en drogen. Tijdens het schakelen lichten de betreffende indicaties op.
- Koelmode: Druk op de Mode Knop om deze mode te selecteren. Druk in deze mode op de Omhoog/Omlaag Knop om de gewenste

temperatuur in te stellen. Het temperatuurbereik is 17~ 30°C. Een druk op de knop verhoogt of verlaagt de temperatuur met 1°C. Druk op de Ventilator Knop een de gewenste ventilatorsnelheid te kiezen. Druk tegelijk op de Timer knop en de Omlaag knop om de Slaapmode te kiezen. In deze mode wordt, nadat het apparaat 2 uur heeft aangestaan, de temperatuur automatisch met 1°C verhoogd. Na nogmaals 2 uur wordt de temperatuur opnieuw met 1°C verhoogd. Daarna verandert de ingestelde temperatuur niet meer.

- In droogmode start de compressor, als de omgevingstemperatuur hoger is dan 17°C. Als de omgevingstemperatuur lager wordt dan 15°C, schakelt de compressor zich uit. Als de omgevingstemperatuur weer hoger wordt dan 17°C, dan wordt de compressor weer ingeschakeld.
- In de luchtverversingsmode werkt alleen de ventilator.

Ventilator knop

De ventilator werkt op de volgende manier in koelmode (behalve de slaapmode) en luchtverversingsmode: hoog > laag > hoog.

Timer knop

- Druk tijdens het gebruik de Timer knop in om de uitschakeltijd in te voeren.
- Druk tijdens de standby de Timer knop in om de starttijd in te voeren. Gedurende deze periode wordt de timer indicatie zichtbaar.
- Druk op de Timer knop om de timerfunctie te starten (in/uitschakelen). Gebruik de omhoog/omlaag knop om de gewenste tijd in uren in te geven.
- Nadat de in- of uitschakeltijd is ingesteld gaat de timer indicatie uit, en wordt de omgevingstemperatuur weergegeven.

Omhoog /omlaag knop

- Druk op de omhoog of omlaag knop als de omgevingstemperatuur wordt weergegeven om de omgevingstemperatuur verandert in de gewenste temperatuur (het apparaat reageert hier niet op in de luchtverversings- of droogmode).
- In de koelmode is het temperatuurbereik 17~ 30°C.
- Druk de omhoog en omlaag knoppen tegelijkertijd in, om te wisselen tussen Fahrenheit en Celcius aanduiding. Als Celcius wordt weergegeven dan is de Celcius indicatie zichtbaar.

WATERAFVOER

Handmatig (Afbeelding 12)

- Als het apparaat uitgaat als het waterreservoir vol is, schakel het dan uit en trek de stekker uit het stopcontact.
- Zet een opvangschaal voor het water onder de waterafvoer aan de achterzijde van het apparaat.
- Schroef de afvoerdop eraf, trek de plug eruit en het water loopt eruit.
- Houd het apparaat iets achterover tijdens het afvoeren van het water.
- Als de opvangschaal vol raakt voordat het apparaat leeg is, blokkeer dan zo snel mogelijk de waterstroom met de plug, zodat er geen water op de grond of het tapijt terechtkomt.
- Als het water volledig is afgevoerd, plaats dan de plug terug en schroef de afvoerdop goed vast.
- Schakel het apparaat pas weer in, als de plug en de afvoerdop op hun plaats zitten; anders kan het condenswater van het apparaat op de grond of het tapijt terechtkomen.

Voortdurend afvoeren (Afbeelding 13 + 14)

- Schroef de afvoerdop los en steek een 13mm PVC afvoerslang 8-10mm in de waterafvoer.
- Leid de afvoerslang naar een toilet of naar buiten.
- Als de verwarmingsmode wordt gebruikt, zorg dan voor voortdurend afvoeren; het apparaat kan anders stoppen vanwege een vol waterreservoir.
- Leg de afvoerslang op een makkelijk te bereiken plaats, op een hoogte onder die van de waterafvoer, en zorg ervoor dat er geen scherpe bochten in de slang zitten.

ONDERHOUD EN SERVICE

- Schakel voor onderhoud of service het apparaat uit en trek de stekker uit het stopcontact.
- Reinig de buitenkant van het apparaat met een zachte, vochtige doek. Gebruik geen chemische oplosmiddelen zoals alcohol of benzine; de behuizing van de airconditioner kan dan beschadigd raken.
- Maak de filters één keer in de twee weken schoon. Als het filterframe en het filter verstopt zijn door stof, dan neemt de werking van de airconditioner af.

- Verwijder het filterframe voorzichtig in de richting van de pijl (zoals in Afbeelding 15 + 16).
- Doe de filters in warm water (ongeveer 40°C) waaraan een neutraal schoonmaakmiddel is toegevoegd, en droog ze in de schaduw.
- Zorg ervoor dat de filters volledig droog zijn voordat u ze weer terugplaatst in het apparaat.

PROBLEEMOPLOSSING

Probleem/ foutindicatie	Oorzaak	Oplossing
De airconditioner werkt niet	<ul style="list-style-type: none"> • Geen stroom • Waterreservoir vol indicatie is zichtbaar? • Omgevingstemperatuur te laag? • De kamertemperatuur is lager dan de ingestelde temperatuur in koelmode. 	<ul style="list-style-type: none"> • Steek de stekker in een werkend stopcontact en schakel het apparaat in. • Laat het water uit het reservoir weglopen. • Het wordt aangeraden om dit apparaat te gebruiken bij 10-35°C. • Verander de ingestelde temperatuur
Slechte koeling of verwarming	<ul style="list-style-type: none"> • Er is sprake van direct zonlicht • De deuren en ramen staan open, de ruimte is vol met mensen of er zijn andere warmtebronnen in koelmode • Filtergaas erg vies • Luchtinlaat of -uitlaat is geblokkeerd 	<ul style="list-style-type: none"> • Doe de gordijnen dicht. • Doe ramen en deuren dicht en zet meer airconditioners neer. • Reinig of vervang het filtergaas • Verwijder de blokkade
Veel geluid	<ul style="list-style-type: none"> • De airconditioner staat niet op een vlakke ondergrond 	<ul style="list-style-type: none"> • Plaats de airconditioner op een vlakke en stabiele ondergrond (kan het geluidsniveau verlagen)
De compressor werkt niet	<ul style="list-style-type: none"> • De oververhittingsbescherming is in werking getreden 	<ul style="list-style-type: none"> • Wacht 3 minuten tot de temperatuur lager wordt en doe dan het apparaat aan
De afstandsbediening werkt niet	<ul style="list-style-type: none"> • Te ver weg • De afstandsbediening is niet gericht op de ontvanger in het apparaat • De batterijen zijn leeg 	<ul style="list-style-type: none"> • Breng de afstandsbediening dichterbij de airconditioner en zorg ervoor dat de afstandsbediening in de richting van het apparaat wijst. • Vervang de batterijen
Scherf E1	<ul style="list-style-type: none"> • Buistemperatuur sensorfout 	<ul style="list-style-type: none"> • Controleer de buistemperatuursensor en bedrading
Scherf E2	<ul style="list-style-type: none"> • Kamertemperatuur sensorfout 	<ul style="list-style-type: none"> • Controleer de kamertemperatuursensor en bedrading

Probleem/ foutindicatie	Oorzaak	Oplossing
Scherm E4	• Vorstbescherming	• De functies keren automatisch terug zodra er ontdooid is.
Waterreservoir vol indicatie is zichtbaar	• Het water in het waterreservoir heeft een te hoog niveau bereikt	• Laat het water uit het reservoir weglopen.

GARANTIE

- Op dit product zit een garantie van 24 maanden. U garantie is geldig als het product wordt gebruikt volgens de instructies, en voor het doel waar het voor gemaakt is. Daarnaast dient het origineel van de factuur, rekening of bon meegestuurd te worden, met de datum van aankoop, de naam van de leverancier en het productnummer van het artikel.
- Voor gedetailleerde garantievoorwaarden kunt u onze website raadplegen: www.service.tristar.eu



MILEU

Dit toestel mag aan het einde van de levensduur niet met het huishoudelijk afval worden weggeworpen, maar moet bij een centraal punt voor het hergebruiken van elektrische en elektronische toestellen voor huishoudelijk gebruik worden aangeboden. Dit symbool op het toestel, in de gebruikshandleiding en op de verpakking vestigt uw aandacht op deze belangrijke kwestie. De gebruikte materialen in dit toestel kunnen worden gerecycled. Door gebruikte toestellen voor huishoudelijk gebruik te recyclen, levert u een belangrijke bijdrage aan de bescherming van ons milieu. Vraag uw lokale autoriteiten voor informatie met betrekking tot de inzamelpunten.

ONDERSTEUNING

U kunt alle beschikbare informatie en reserveonderdelen vinden op service.tristar.eu!

CONSIGNES DE SÉCURITÉ IMPORTANTES

- Ce climatiseur est conçu pour un usage en intérieur plutôt que pour d'autres usages.
- Plage de fonctionnement nominale : cet appareil doit être connecté à une prise d'alimentation de 220-240V / 50Hz.
- Le climatiseur doit être installé conformément aux règles de câblage du secteur afin d'assurer une mise à la terre appropriée. Si vous avez des questions sur l'installation électrique, suivez le mode d'emploi ou confiez l'installation à un électricien professionnel si nécessaire.
- Placez cet appareil sur une surface plane et sèche et éloignez-le d'au moins 50 cm de tout objet et des murs.
- Une fois que le climatiseur est installé, vérifiez que le cordon d'alimentation est en bon état et bien branché à la prise électrique et vérifiez toujours que le cordon d'alimentation est placé de manière à ce que personne ne risque de trébucher dessus et que la fiche ne risque pas d'être arrachée.
- N'introduisez aucun objet dans les orifices de ventilation du climatiseur. N'obstruez jamais les orifices de ventilation du climatiseur.
- En cas d'installation d'un tuyau de purge, vérifiez que le raccord du tuyau de purge est en bon état sans flexion.
- En ajustant le déflecteur horizontal/vertical au niveau de la sortie d'air, tournez-le légèrement à la main afin d'éviter d'endommager le déflecteur.
- Gardez l'appareil debout tout en le déplaçant.
- Éloignez cet appareil de l'essence, des gaz inflammables, des fours ou d'autres sources de chaleur.
- Ne démontez pas, n'inspectez pas et ne modifiez pas l'appareil sans autorisation, sous risque de défaillance de l'appareil, voire de dommages corporels ou matériels. Pour éviter tout risque, si l'appareil est défectueux, faites-le réparer par le fabricant ou des professionnels.
- N'installez pas et n'utilisez pas ce climatiseur dans une salle de bain ou dans des environnements humides.
- Ne laissez pas les enfants jouer avec cet appareil. Surveillez de près les enfants ou les personnes handicapées lorsque cet appareil est en usage.
- N'éteignez pas cet appareil en débranchant la fiche.
- Ne placez pas des objets tels que des bols sur l'appareil afin d'éviter que de l'eau ou d'autres liquides ne se déversent dans le climatiseur.
- N'utilisez pas de bombe antiparasite ni d'autres substances inflammables à proximité du climatiseur.
- N'essuyez pas et ne lavez pas l'appareil avec des solvants chimiques tels que de l'essence et de l'alcool, etc. Avant de nettoyer le climatiseur, coupez l'alimentation électrique et essuyez l'appareil avec un chiffon à moitié humide. Si l'appareil est très sale, essuyez-le avec un nettoyant neutre.
- Ne faites pas fonctionner cet appareil si la température ambiante est supérieure à 35 °C en mode de refroidissement.
- Cet appareil peut être utilisé par des enfants de plus de 8 ans et des personnes dont les capacités physiques, sensorielles ou mentales sont réduites, ou n'ayant pas d'expérience ni de connaissances si elles sont surveillées ou ont été instruites concernant l'utilisation

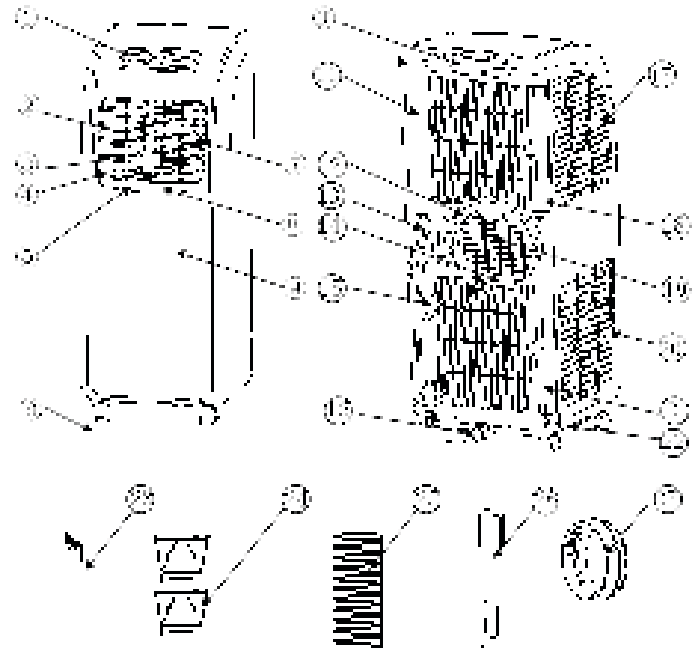
de l'appareil d'une manière sûre et comprennent les risques encourus. Ne laissez pas les enfants jouer avec l'appareil. Le nettoyage et l'entretien par l'utilisateur ne peuvent pas être effectués par des enfants de moins de 8 ans sans surveillance.

- Tenez l'appareil et son cordon hors de portée des enfants de moins de 8 ans.

FR

PIÈCES

1. Panneau de commande
2. Déflecteur horizontal
3. Déflecteur vertical
4. Bouche de sortie d'air
5. Poignée du déflecteur vertical
6. Chasse
7. Poignée du déflecteur horizontal
8. Déflecteur vertical principal
9. Coque avant
10. Position de poignée
11. Coque arrière
12. Boucle en forme de C de l'évacuation de la chaleur
13. Cordon d'alimentation
14. Fond de conduite d'air inférieure
15. Montant d'enroulement de câble
16. Bouchon de purge
17. Grille de filtre d'évaporateur
18. Plateau drainant d'évaporateur
19. Grille à petites mailles rayonnante
20. Grille de filtre de condenseur
21. Plateau drainant de condenseur
22. Plaque de base (côté droit : zone de rangement de télécommande)
23. Télécommande
24. Connecteur externe de tuyau d'évacuation de la chaleur
25. Clip de rétention de tuyau d'évacuation de la chaleur
26. Ensemble de panneau d'étanchéité de fenêtre
27. Connecteur rond



INSTALLATION

- Avertissement : laissez ce climatiseur mobile debout au moins 2 heures avant la première utilisation.
- Ce climatiseur peut être déplacé à l'intérieur en toute facilité, laissez ce climatiseur mobile debout tout en le déplaçant. Le climatiseur doit être posé sur une surface au sol plane. N'installez pas et n'utilisez pas ce climatiseur dans une salle de bain ou dans des environnements humides.

MONTAGE

Tuyau d'évacuation de la chaleur

- Connecteur extérieur d'évacuation de la chaleur (Figure 1A)
- Connecteur court du tuyau d'évacuation de la chaleur (Figure 2A)
- Connecteur extérieur d'évacuation de la chaleur (Figure 1)
- Démontez les deux pièces du connecteur externe du tuyau d'évacuation de la chaleur, ces deux pièces sont les mêmes dans la structure.
- Tenez une pièce dans chaque main, mettez le raccord d'une pièce vers la rainure de l'autre pièce, puis appuyez dessus pour les enclencher fermement (Figure 1A).
- Démontez les deux connecteurs du tuyau d'évacuation de la chaleur, vissez les deux connecteurs dans le tuyau d'évacuation de chaleur (Figure 1 + 2A).

Installation de la boucle en forme de C du tuyau d'évacuation de la chaleur

Placez le trou rotatif de la boucle en forme de C sur l'arbre rotatif à l'arrière de l'appareil (comme sur la Figure 3).

Installation du tuyau d'évacuation de la chaleur

- Soulevez la boucle en forme de C d'une main et placez avec l'autre main le raccord court du tuyau d'évacuation de la chaleur dans le creux à l'arrière de l'appareil (comme sur la Figure 5).
- Verrouillez fermement le tuyau d'évacuation en poussant la boucle en forme de C vers le bas jusqu'à ce qu'elle s'enclenche (comme sur la Figure 5).

Installation de l'ensemble de panneau d'étanchéité de fenêtre

- Ouvrez la fenêtre et montez l'ensemble de panneau d'étanchéité de fenêtre sur la fenêtre, soit verticalement soit horizontalement (comme sur les figures 7 et 8).
- Séparez les pièces de l'ensemble de panneau d'étanchéité de fenêtre, ajustez la distance de l'ensemble de sorte que les deux extrémités de l'ensemble entrent en contact avec le cadre de fenêtre, serrez les pièces de l'ensemble grâce à des vis en cuivre.

Installation de l'appareil

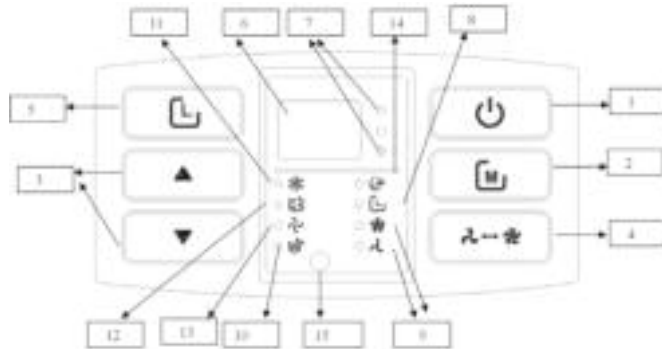
- Vérifiez que l'appareil est éloigné d'au moins 50 cm des murs ou d'autres objets (comme sur la Figure 9).
- Enclenchez l'extrémité plate du tuyau d'évacuation de la chaleur dans le trou elliptique de l'ensemble de panneau d'étanchéité de fenêtre (comme sur les figures 10 et 11).

Remarques importantes

- Le tuyau d'évacuation mesure entre 280 mm et 1500 mm de long, selon les caractéristiques du climatiseur. N'utilisez pas d'extension de tuyau ni de tuyau de remplacement différent car cela pourrait altérer les fonctions du climatiseur. L'évacuation doit être fluide et le climatiseur peut surchauffer si l'évacuation est obstruée.
- Le tuyau d'évacuation de chaleur ne peut pas être plié et doit être sans flexion importante (supérieure à 45°), le tuyau d'évacuation de la chaleur doit être ventilé correctement.

INSTRUCTIONS D'UTILISATION DU PANNEAU DE COMMANDE

- | | |
|--|--|
| 1. Bouton Marche/Arrêt | 9. Indicateur Haut/Bas |
| 2. Bouton Mode | 10. Indicateur de réservoir d'eau plein |
| 3. Bouton Haut/Bas | 11. Indicateur de refroidissement |
| 4. Bouton Ventilateur | 12. Indicateur de déshumidification |
| 5. Bouton Minuteur | 13. Indicateur de ventilateur |
| 6. Double affichage 88 | 14. Indicateur du mode veille |
| 7. Indicateur de degrés Celsius/Fahrenheit | 15. Emplacement du capteur de télécommande |
| 8. Indicateur Minuteur | |



CONSIGNES D'UTILISATION :

- Lors du premier branchement de l'appareil, la sonnerie retentira, la température ambiante s'affiche dans une plage de 10 à 35 °C. L'appareil passe en mode veille.
- Appuyez sur le bouton Marche/Arrêt pour mettre en marche ou arrêter l'appareil. L'appareil passe en mode de refroidissement. Le ventilateur tourne rapidement et la température de consigne est de 23 °C.
- Appuyez sur le bouton Mode pour basculer entre les modes Refroidissement, Ventilation et Séchage. Entre temps, les indicateurs correspondants s'allumeront.
- Mode Refroidissement : Appuyez sur le bouton Mode pour choisir ce mode. Dans ce mode, appuyez sur le bouton Haut/Bas pour régler la

- température voulue. La plage de température est comprise entre 17 et 30 °C. Un appui permet d'augmenter ou de réduire la température de 1 °C. Appuyez sur le bouton Ventilateur en même temps que le bouton Bas pour choisir une vitesse de ventilation adéquate. Appuyez sur le bouton Minuteur et choisissez le mode Veille. Dans ce mode, après 2 heures de fonctionnement, l'appareil élève la température d'1 °C automatiquement. Après 2 autres heures de fonctionnement, l'appareil élève encore le réglage de température d'1 °C. Ensuite, la température de consigne ne change plus.
- En mode Séchage, si la température ambiante est supérieure à 17 °C, le compresseur démarre. Lorsque la température ambiante passe sous 15 °C, le compresseur s'arrête. Lorsque la température ambiante dépasse 17 °C, le compresseur redémarre.
 - En mode Ventilation, seul le moteur du ventilateur fonctionne.

Bouton Ventilateur

Le ventilateur fonctionne comme suit en mode Refroidissement (sauf en mode veille) et en mode Ventilation : haut > bas > haut.

Bouton Minuteur

- Pendant le fonctionnement, appuyez sur le bouton Minuteur pour accéder au temps d'arrêt.
- Pendant le fonctionnement, appuyez sur le bouton Minuteur pour accéder au temps d'arrêt. Entre-temps, l'indicateur du minuteur s'allume.
- Appuyez sur le bouton Minuteur pour accéder à la fonction de minutage (démarrage/arrêt). Utilisez les boutons Haut ou Bas pour régler le temps en heures.
- Une fois que le temps de démarrage ou d'arrêt est réglé, l'indicateur du minuteur s'éteint et la température ambiante s'affiche.

Bouton Haut/Bas

- Pendant l'affichage de la température ambiante, appuyez sur le bouton Haut ou Bas, la température ambiante passe à la température voulue (l'appareil ne répond pas à cette action dans les modes Ventilation et Séchage).
- En mode Refroidissement, la plage de réglage de température est comprise entre 17 et 30°C.
- Appuyez sur les boutons Haut et Bas simultanément pour basculer entre les degrés Fahrenheit et les degrés Celsius. Lorsque les degrés Celsius s'affichent, l'indicateur de degrés Celsius s'allume.

PURGE D'EAU

Manuel (Figure 12)

- Une fois que l'appareil s'éteint car le réservoir d'eau est plein, éteignez l'appareil et débranchez la prise d'alimentation.
- Mettez un bac pour collecter l'eau sous la sortie d'eau à l'arrière de l'appareil.
- Dévissez le bouchon de purge, enlevez le bouchon d'eau et l'eau s'écoulera.
- Penchez l'appareil légèrement vers l'arrière pendant la purge.
- Si le bac d'eau est plein avant que l'appareil ne soit vide, bloquez la sortie d'eau grâce au bouchon d'eau dès que possible pour empêcher l'eau de s'écouler sur le sol ou la moquette.
- Une fois que l'eau est entièrement vidée, insérez le bouchon d'eau et vissez fermement le bouchon d'eau.
- Allumez l'appareil seulement après que le bouchon d'eau et le bouchon de purge soient correctement installés, sinon le condensat de l'appareil s'écoulera sur le sol ou la moquette.

Égouttage en continu (figures 13 et 14)

- Dévissez le capuchon d'eau, insérez un tuyau de 13 mm en PVC à 8-10 mm dans la sortie d'eau.
- Raccordez le tuyau de purge aux toilettes ou à l'extérieur.
- En actionnant le mode Chauffage, adoptez l'égouttage en continu, sinon l'appareil risque de s'éteindre si le réservoir d'eau est plein.
- Mettez le tuyau de purge dans un endroit inaccessible à une hauteur qui ne soit pas au-dessus de la sortie d'eau et ne pliez pas le tuyau de purge.

MAINTENANCE ET ENTRETIEN

- Avant la maintenance et l'entretien de l'appareil, éteignez l'appareil et débranchez le cordon d'alimentation.
- Nettoyez la surface de l'appareil avec un chiffon doux humide. N'utilisez pas de solvants chimiques tels que de l'alcool et de l'essence, sinon la surface du climatiseur risque d'être endommagée.
- Nettoyez les filtres une fois toutes les deux semaines. Si le plateau drainant et le filtre sont encrassés de poussière, la performance du climatiseur peut diminuer.
- Sortez le plateau drainant délicatement dans le sens de la flèche (voir figures 15 et 16).

- Mettez les filtres dans l'eau chaude (environ 40 °C), à laquelle vous ajoutez un nettoyant neutre, nettoyez les filtres puis séchez-les à l'ombre.
- Vérifiez que les filtres sont complètement secs avant de les remettre en place dans le climatiseur.

DÉPANNAGE

Indication de problème/défaut	Cause	Solution
Le climatiseur ne fonctionne pas	<ul style="list-style-type: none"> • Aucune alimentation • L'indicateur de réservoir d'eau plein s'allume ? • Température ambiante trop basse ? • La température ambiante est inférieure à la température de consigne en mode Refroidissement. 	<ul style="list-style-type: none"> • Branchez l'appareil sur une prise électrique et mettez-le en marche. • Videz l'eau collectée dans l'appareil. • Il est recommandé de faire fonctionner cet appareil entre 10 et 35 °C. • Changez la température de consigne
Mauvais effet de refroidissement ou de chauffage	<ul style="list-style-type: none"> • Il y a une lumière du soleil directe • Les portes et fenêtres sont ouvertes, la pièce est occupée par beaucoup de personnes ou il y a d'autres sources de chaleur en mode Refroidissement • La grille de filtre est très encrassée • Entrée d'air ou sortie d'air bouchée 	<ul style="list-style-type: none"> • Tirez les rideaux. • Fermez les portes et les fenêtres et ajoutez de nouveaux climatiseurs • Nettoyez ou remplacez la grille de filtre • Enlevez l'obstruction
Climatiseur très bruyant	<ul style="list-style-type: none"> • Le climatiseur n'est pas posé sur une surface plane 	<ul style="list-style-type: none"> • Mettez le climatiseur sur une surface plane et ferme (ceci peut réduire le bruit)
Le compresseur ne fonctionne pas	<ul style="list-style-type: none"> • Initiation de la protection de surchauffe. 	<ul style="list-style-type: none"> • Attendez 3 minutes jusqu'à ce que la température diminue puis mettez en marche l'appareil
La télécommande ne fonctionne pas	<ul style="list-style-type: none"> • La distance est trop grande • La télécommande n'atteint pas le capteur • Les piles sont vides 	<ul style="list-style-type: none"> • Rapprochez la télécommande du climatiseur et vérifiez que la télécommande pointe vers son capteur. • Changez les piles
E1 s'affiche	<ul style="list-style-type: none"> • Défaillance du capteur de température de la tuyauterie 	<ul style="list-style-type: none"> • Inspectez le capteur de température de la tuyauterie et les circuits correspondants

Indication de problème/défaut	Cause	Solution
E2 s'affiche	<ul style="list-style-type: none"> Défaillance du capteur de température ambiante 	<ul style="list-style-type: none"> Inspectez le capteur de température ambiante et les circuits correspondants
E4 s'affiche	<ul style="list-style-type: none"> Protection anti-gel 	<ul style="list-style-type: none"> Les fonctions se rétablissent après dégel.
L'indicateur de réservoir d'eau plein s'allume	<ul style="list-style-type: none"> L'eau dans la plaque de base de l'appareil atteint le niveau d'eau plein 	<ul style="list-style-type: none"> Videz l'eau dans la plaque de base.

GARANTIE

- Ce produit est garanti 24 mois. Votre garantie est valable si le produit est utilisé conformément aux instructions et aux fins pour lesquelles il a été prévu. De plus, la preuve d'achat originale (facture, ticket de caisse ou reçu) doit être soumise avec la date d'achat, le nom du détaillant et le numéro d'identification du produit.
- Pour connaître les conditions de garantie détaillées, veuillez consulter notre site web d'assistance : www.service.tristar.eu



ENVIRONNEMENT

Cet appareil ne doit pas être jeté avec les déchets ménagers à la fin de sa durée de vie, il doit être remis à un centre de recyclage pour les appareils électriques et électroniques. Ce symbole sur l'appareil, le manuel d'utilisation et l'emballage attire votre attention sur ce sujet important. Les matériaux utilisés dans cet appareil peuvent être recyclés. En recyclant les appareils domestiques usagés, vous contribuerez de manière considérable à la protection de notre environnement. Renseignez-vous auprès des autorités locales pour connaître les centres de collecte des déchets.

ASSISTANCE

Vous trouverez toutes les informations disponibles et les pièces détachées sur service.tristar.eu !

WICHTIGE SICHERHEITSVORKEHRUNGEN

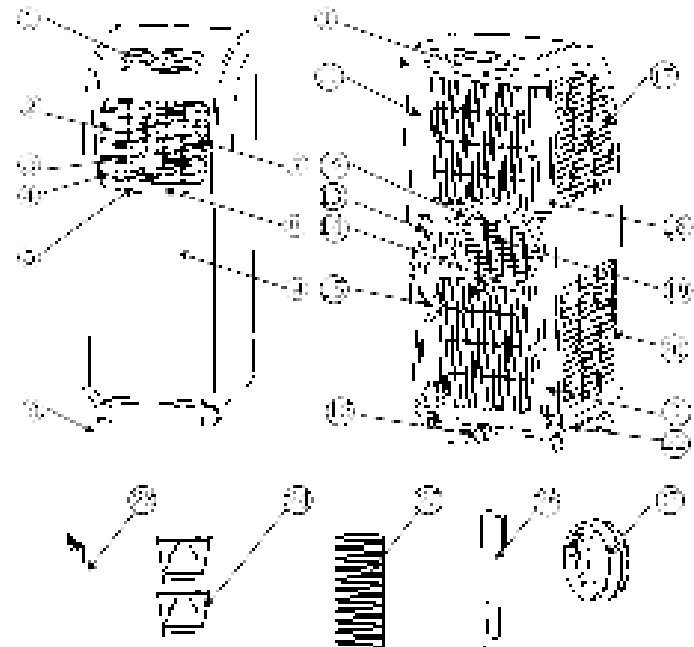
- Diese Klimaanlage ist nur für den Einsatz in Innenräumen geeignet.
- Nennbetriebsbereich: Diese Einheit ist für 220-240 V / 50 Hz geeignet.
- Die Klimaanlage muss in Übereinstimmung mit den Anschlussvorschriften des lokalen Netzes installiert werden, um eine ordnungsgemäße Erdung sicherzustellen. Bei Fragen zur Elektroinstallation nehmen Sie das Handbuch zu Rate oder lassen Sie die Installation von einer Elektrofachkraft durchführen.
- Bitte stellen Sie das Gerät an einem ebenen und trockenen Ort auf und halten Sie mindestens 50 cm Abstand zu umliegenden Objekten oder Wänden.
- Stellen Sie nach Installation der Klimaanlage sicher, dass das Kabel in gutem Zustand und fest in die Steckdose gesteckt ist. Achten Sie immer darauf, dass das Netzkabel nicht zu einer Stolperfalle für das Personal wird oder versehentlich aus der Steckdose gezogen werden kann.
- Führen Sie keine Gegenstände in den Luftein-/auslass der Klimaanlage. Achten Sie darauf, den Luftein-/auslass der Klimaanlage nicht zu blockieren.
- Sollte eine Ablaufleitung installiert werden müssen, dann achten Sie darauf, dass der Anschluss des Ablaufrohres in gutem Zustand und nicht geknickt ist.
- Drehen Sie bei Einstellung des horizontalen/vertikalen Lüftungsschlitzes am Luftaustritt diese vorsichtig von Hand, um eine Beschädigung des Lüftungsschlitzes zu vermeiden.
- Halten Sie das Gerät beim Transport in aufrechter Position.
- Halten Sie das Gerät von Benzin, brennbaren Gasen, Öfen oder anderen Wärmequellen fern.
- Versuchen Sie nicht, das Gerät ohne Genehmigung auseinanderzubauen, zu überprüfen oder zu ändern, da dies zu einer Fehlfunktion des Gerätes, sogar zu Personen- und Sachschaden führen kann. Wenn das Gerät fehlerhaft ist, stellen Sie sicher, dass es vom Hersteller oder von Fachkräften repariert wird, um Gefahren zu vermeiden.
- Stellen Sie diese Klimaanlage nicht im Badezimmer oder in anderen feuchten Umgebungen auf.
- Lassen Sie keine Kinder mit diesem Gerät spielen. Beaufsichtigen Sie Kinder oder behinderte Menschen, wenn dieses Gerät in Betrieb ist.
- Schalten Sie das Gerät nicht durch Herausziehen des Steckers aus.
- Stellen Sie keine Objekte wie Tassen auf das Gerät, um zu verhindern, dass Wasser oder andere Flüssigkeiten verschüttet und in die Klimaanlage gelangen.
- Verwenden Sie keine Aerosole zur Schädlingsbekämpfung oder andere brennbare Substanzen in der Nähe der Klimaanlage.
- Wischen oder reinigen Sie das Gerät nicht mit chemischen Lösungsmitteln wie Benzin und Alkohol usw. Stellen Sie vor der Reinigung der Klimaanlage sicher, dass die Stromversorgung getrennt ist. Wischen Sie das Gerät mit einem weichen, halbfleuchten Tuch ab. Wenn die Maschine sehr schmutzig ist, reinigen Sie sie mit einem Neutralreiniger.
- Benutzen Sie dieses Gerät nicht, wenn die Umgebungstemperatur höher als 35 °C im Kühlbetrieb ist.
- Dieses Gerät kann von Kindern ab 8 Jahren und

Personen mit verringertem physischen, sensorischen oder geistigen Leistungsvermögen oder einem Mangel an Erfahrung und Fachkenntnis verwendet werden, wenn sie unter Aufsicht stehen oder Anweisungen hinsichtlich der sicheren Verwendung des Geräts erhalten haben und die damit verbundenen Gefahren kennen. Kinder dürfen mit dem Gerät nicht spielen. Reinigungs- und Wartungsarbeiten dürfen nicht von Kindern ausgeführt werden, es sei denn, sie sind älter als 8 Jahre und werden beaufsichtigt.

- Halten Sie dieses Gerät und sein Kabel außerhalb der Reichweite von Kindern, die jünger als 8 Jahre sind.

TEILE

1. Bedienerkonsole
2. Horizontaler Lüftungsschlitz
3. Vertikaler Lüftungsschlitz
4. Luftauslass-Rahmen
5. Verbindungshebel des vertikalen Lüftungsschlitzes
6. Laufrolle
7. Verbindungshebel des horizontalen Lüftungsschlitzes
8. Vertikaler Lüftungsschlitz
9. Vorderes Gehäuse
10. Handgriff
11. Rückwärtiges Gehäuse
12. C-förmiges Verbindungsstück der Wärmeabluft
13. Netzkabel
14. Untere Lüftungskanalaste
15. Kabelaufwicklung
16. Ablasskappe
17. Verdampfer-Filtereinheit
18. Verdampfer-Filterrahmen
19. Feinmaschige Strahleinheit
20. Kondensator-Filtereinheit
21. Kondensator-Filtereinheit
22. Basisplatte (rechte Seite; Aufbewahrung Fernbedienung)
23. Fernbedienung
24. Wärmeabluftschlauch/ äußeres Verbindungsstück
25. Wärmeabluftschlauch Klickanschluss
26. Fensterbankbaugruppe
27. Rundsteckverbinder



INSTALLATION

- **Warnung:** Lassen Sie diese mobile Klimaanlage vor dem Erstgebrauch mindestens 2 Stunden lang in aufrechter Position stehen.
- Diese Klimaanlage kann im Innenbereich bequem bewegt werden. Lassen Sie die Klimaanlage in einer aufrechten Position, während Sie sie bewegen. Die Klimaanlage muss auf einer ebenen, stabilen Fläche aufgestellt werden. Stellen Sie diese Klimaanlage nicht im Badezimmer oder in anderen feuchten Umgebungen auf bzw. bedienen Sie sie nicht an diesen Orten.

ZUSAMMENBAU

Wärmeabluftschläuche

- Wärmeabluftschläuche/äußeres Verbindungsstück (Abb. 1A)
- Wärmeabluftschläuche/Kurzes Verbindungsstück (Abb. 2A)
- Wärmeabluftschläuche/äußeres Verbindungsstück (Abb. 1)
- Nehmen Sie beide Teile des Wärmeabluftschlauches/äußeres Verbindungsstück; diese beiden Teile haben dieselbe Struktur.
- Halten Sie in jeder Hand ein Stück, führen Sie ein Teil in die Nut des anderen Teils ein und drücken Sie sie zusammen, so dass sie fest einrasten (Abb. 1A).
- Nehmen Sie die Wärmeabluftschläuche beider Verbindungsstücke heraus und schrauben Sie beide Verbindungsstücke in den Wärmeabluftschlauch (Abb. 1 + 2 A).

Installation des C-förmigen Verbindungsstücks des Wärmeabluftschlauches

Platzieren Sie das Drehloch des C-förmigen Verbindungsstücks über den Drehstift an der Rückseite des Gerätes (wie in Abb. 3 gezeigt).

Installation des Wärmeabluftschlauches

- Heben Sie mit einer Hand das C-förmige Verbindungsstück an und platzieren Sie mit der anderen Hand das kurze Verbindungsstück des Wärmeabluftschlauches in die Aussparung an der Rückseite des Gerätes (wie in Abb. 5 gezeigt).
- Befestigen Sie den Abluftschlauch, indem Sie das C-förmige Verbindungsstück nach unten drücken, bis es einrastet (wie in Abb. 5 gezeigt).

Installation der Fensterbankbaugruppe

- Öffnen Sie das Fenster und montieren Sie die Fensterbankbaugruppe am Fenster, entweder vertikal oder horizontal (wie in Abbildung 7 und 8 gezeigt).
- Ziehen Sie die Teile der Fensterbankbaugruppe auseinander, passen Sie den Abstand der Baugruppe an, so dass die zwei Enden der Baugruppe den Fensterrahmen berühren. Ziehen Sie die Teile der Baugruppe mit Kupferschrauben fest.

Installation des Gerätes

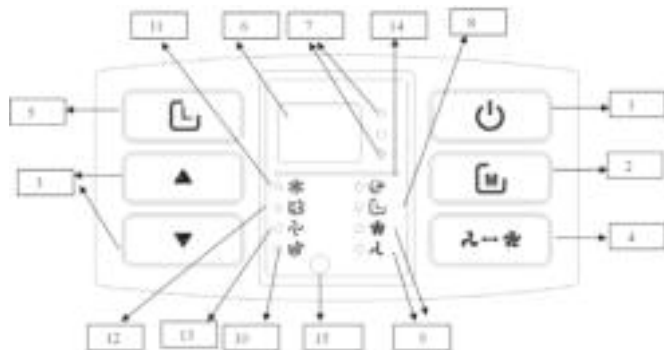
- Achten Sie darauf, dass das Gerät mit einem Abstand von mindestens 50 cm Abstand zwischen den Wänden oder anderen Gegenständen installiert wird (wie in Abb. 9 gezeigt).
- Lassen Sie das flache Ende des Wärmeabluftschlauches in das elliptische Loch der Fensterbankbaugruppe einrasten (wie in Abbildung 10 und 11 dargestellt).

Wichtige Hinweise

- Der Abluftschlauch ist 280 mm bis 1500 mm lang. Die Länge wird auf der Basis der Spezifikation der Klimaanlage(n) bestimmt. Verwenden Sie keine Verlängerungsschläuche oder ersetzen Sie diese nicht durch andere verschiedenartige Schläuche, da dies die Funktion der Klimaanlage beeinflussen könnte. Der Auslass muss glatt sein. Die Klimaanlage kann sich überhitzen, wenn der Auslass verstopft ist.
- Der Wärmeabluftschlauch darf nicht gebogen oder geknickt werden (über 45 °). Der Wärmeabluftschlauch muss richtig belüftet werden.

FUNKTIONEN DES BEDIENFELDS

- | | |
|--|--------------------------|
| 1. An-/Aus-Schalter | 8. Timer-Anzeiger |
| 2. Mode(Modus)-Taste | 9. Anzeige hoch/niedrig |
| 3. Up/Down(hoch/runter)Taste | 10. Anzeige Wasser voll |
| 4. Fan(Ventilator)Taste | 11. Anzeige kühl |
| 5. Timer-Taste | 12. Anzeige Entfeuchtung |
| 6. Double 88 display(Doppelter 88 Display)-Bereich | 13. Anzeige Ventilator |
| 7. Gradanzeiger Celsius/Fahrenheit | 14. Anzeige Sleep-Modus |
| | 15. Fernbedienungssensor |



BEDIENUNGSANLEITUNG:

- Wenn das Gerät zum ersten Mal angeschlossen wird, piept der Summer und auf der Anzeige erscheint die Umgebungstemperatur (Temperaturbereich 10-35 °C). Das Gerät wechselt in den Standby-Modus.
- Drücken Sie die Ein-/Aus-Taste, um das Gerät ein- oder auszuschalten. Das Gerät wird in den Kühlmodus geschaltet. Die Ventilatorzahl ist hoch und die eingestellte Temperatur beträgt 23 °C.
- Drücken Sie die Mode(Modus)-Taste, um zwischen Kühlluftversorgungs- und Trocknungsmodi zu wechseln. In der Zwischenzeit leuchten entsprechende Anzeigen.
- Kühlmodus: Durch Drücken der Mode-Taste gelangen Sie in diesen Modus. Drücken Sie in diesem Modus auf die Up-/Down-Taste, um

die gewünschte Temperatur einzustellen. Der Temperaturbereich ist 17~30 °C. Durch einmaliges Drücken wird die Temperatur um 1 °C erhöht oder verringert. Drücken Sie die Ventilator-Taste, um die passende Lüfterdrehzahl zu wählen. Drücken Sie die Timer-Taste und die Down-Taste zusammen, um den Sleep-Modus zu wählen. In diesem Modus - nachdem das Gerät bereits 2 Stunden in Betrieb ist - wird die eingestellte Temperatur automatisch um 1 °C erhöht. Nach weiteren 2 Stunden Betrieb wird die eingestellte Temperatur um weitere 1 °C erhöht. Danach wird die eingestellte Temperatur nicht mehr erhöht.

- Wenn im Trockenmodus die Umgebungstemperatur höher als 17 °C ist, startet der Kompressor. Wenn die Umgebungstemperatur unter 15 °C fällt, schaltet der Kompressor ab. Wenn die Umgebungstemperatur auf über 17 °C steigt, startet der Kompressor erneut.
- Im Luftzufuhr-Modus funktioniert nur der Ventilatormotor.

Taste Ventilator

Der Lüfter funktioniert im Kühlmodus (außer dem Sleep-Modus) und Luftzufuhrmodus auf die folgende Art und Weise: hoch > niedrig > hoch.

Timer-Taste

- Drücken Sie während des Betriebs die Timer-Taste, um die Abschaltzeit einzugeben.
- Drücken Sie im Standby die Timer-Taste, um die Startzeit einzugeben. In der Zwischenzeit leuchtet die Timer-Anzeige.
- Drücken Sie die Timer-Taste, um die Timing-Funktion einzugeben (Start/Herunterfahren). Stellen Sie mit der Up-/Down-Taste die gewünschte Zeit in Stunden ein.
- Nachdem die Start- oder Abschaltzeit eingestellt ist, erlischt die Timer-Anzeige und die Umgebungstemperatur wird angezeigt.

Up-/Down-Taste

- Drücken Sie bei Anzeige der Umgebungstemperatur die Up- oder Down-Taste. Die Temperatur ändert sich dann auf die gewünschte Temperatur (das Gerät reagiert nicht auf diesen Betrieb im Luftzufuhr- und Trocknungsmodus).
- Im Kühlmodus beträgt die Temperatureinstellung 17 ~ 30 °C.
- Drücken Sie gleichzeitig die Up- und Down-Taste, um zwischen Fahrenheit und Celsius zu wechseln. Wenn Grad Celsius angezeigt wird, leuchtet die Anzeige Grad Celsius.

WASSERABLAUF

Manuell (Abbildung 12)

- Schalten Sie das Gerät aus und ziehen Sie den Stecker aus der Steckdose, sobald das Gerät aufgrund Erreichung des höchsten Wasserstandes abschaltet.
- Stellen Sie unter dem Wasserauslass an der Rückseite der Einheit einen Wasserbehälter für das Wasser auf.
- Schrauben Sie die Ablasskappe ab, ziehen Sie den Wasserstöpsel heraus und das Wasser fängt an, abzulaufen.
- Kippen Sie das Gerät beim Ablassen leicht nach hinten.
- Wenn der Wasserbehälter voll ist, bevor das Gerät leer ist, blockieren Sie so schnell wie möglich den Wasserauslass mit dem Wasserstecker, um zu verhindern, dass Wasser auf den Boden oder Teppich fließt.
- Sobald das Wasser vollständig abgelassen ist, stecken Sie den Wasserstöpsel wieder ein und ziehen Sie die Wasserkappe fest.
- Schalten Sie das Gerät erst dann ein, wenn der Wasserstecker und die Ablasskappe richtig installiert sind; andernfalls fließt Kondenswasser von der Einheit auf den Boden oder den Teppich.

Fortlaufender Abfluss (Abb. 13 + 14)

- Schrauben Sie die Wasserkappe ab und stecken Sie einen 13 mm PVC-Ablaufschlauch (8 mm - 10 mm) in den Wasserauslauf.
- Schließen Sie den Ablaufschlauch an die Toilette oder das Freie an.
- Lassen Sie im Heizmodus kontinuierlich Abfluss ab; andernfalls kann das Gerät aufgrund vollem Füllstand ausschalten.
- Legen Sie den Ablaufschlauch an einen unzugänglichen Ort auf einer Höhe, die nicht über dem Wasserablauf sein darf, und knicken Sie den Ablaufschlauch nicht.

WARTUNG UND SERVICE

- Schalten Sie vor der Wartung und Instandhaltung das Gerät aus und ziehen Sie den Stecker aus der Steckdose.
- Reinigen Sie die Oberfläche der Einheit mit einem nassen, weichen Tuch. Verwenden Sie keine chemischen Reinigungsmittel wie Alkohol und Benzin; dies kann die Oberfläche der Klimaanlage beschädigen.
- Reinigen Sie die Filter einmal alle zwei Wochen. Wenn der Filterrahmen

und der Filter mit Staub verstopft sind, lässt die Funktion der Klimaanlage unter Umständen nach

- Nehmen Sie den Filterrahmen vorsichtig in Pfeilrichtung heraus (siehe Abbildung 15 + 16).
- Legen Sie die Filter in warmes Wasser (ca. 40 °C). Fügen Sie Neutralreiniger für die Reinigung hinzu und lassen Sie ihn danach im Schatten trocknen.
- Achten Sie darauf, dass die Filter vollständig trocken sind, bevor Sie sie wieder in das Gerät einsetzen.

FEHLERBEHEBUNG

Problem-/ Fehleranzeige	Ursache	Abhilfe
Die Klimaanlage funktioniert nicht	<ul style="list-style-type: none"> • Kein Strom • Leuchtet Anzeige „Wasser voll“? • Umgebungstemperatur zu niedrig? • Die Raumtemperatur ist im Kühlmodus niedriger als die eingestellte Temperatur. 	<ul style="list-style-type: none"> • Schließen Sie das Gerät an eine Steckdose an und schalten Sie es ein. • Lassen Sie das im Gerät befindliche Wasser ab. • Es wird empfohlen, dieses Gerät bei 10-35 °C zu bedienen. • Ändern Sie die eingestellte Temperatur.
Schlechte Kühl- bzw. Heizleistung	<ul style="list-style-type: none"> • Direkte Sonneneinstrahlung • Die Türen und Fenster sind geöffnet, der Raum ist überfüllt oder es gibt weitere Wärmequellen im Kühlbetrieb. • Filternetz sehr schmutzig • Lufterin- oder -auslass verstopft 	<ul style="list-style-type: none"> • Ziehen Sie die Vorhänge zu. • Schließen Sie die Tür und das Fenster und bedienen Sie mehrere Klimaanlagen. • Reinigen oder ersetzen Sie das Filternetz • Machen Sie sie wieder frei
Hoher Lärmpegel	<ul style="list-style-type: none"> • Die Klimaanlage steht nicht auf einer flachen Oberfläche. 	<ul style="list-style-type: none"> • Stellen Sie die Klimaanlage auf einen flachen und festen Untergrund (kann Geräusche reduzieren).
Der Kompressor funktioniert nicht	<ul style="list-style-type: none"> • Einleitung des Überhitzungsschutzes. 	<ul style="list-style-type: none"> • Warten Sie 3 Minuten, bis die Temperatur sinkt und schalten Sie dann das Gerät ein

Problem-/ Fehleranzeige	Ursache	Abhilfe
Die Fernbedienung funktioniert nicht	<ul style="list-style-type: none"> • Zu große Entfernung • Die Fernbedienung zeigt nicht Richtung Empfangskopf der Fernbedienung. • Die Batterien funktionieren nicht 	<ul style="list-style-type: none"> • Bringen Sie die Fernbedienung näher zur Klimaanlage und stellen Sie sicher, dass die Fernbedienung zum Empfangskopf der Fernbedienung zeigt. • Ersetzen Sie die Batterien
Display E1	<ul style="list-style-type: none"> • Rohrtemperatursensorausfall 	<ul style="list-style-type: none"> • Überprüfen Sie den Rohrtemperatursensor und die zugehörigen Leitungen
Display E2	<ul style="list-style-type: none"> • Raumtemperatursensorausfall 	<ul style="list-style-type: none"> • Überprüfen Sie den Raumtemperatursensor und die zugehörigen Leitungen
Display E4	<ul style="list-style-type: none"> • Anti-Frost-Schutz 	<ul style="list-style-type: none"> • Stellen Sie die Funktionen automatisch nach dem Auftauen her.
Anzeige „Wasser voll“ leuchtet	<ul style="list-style-type: none"> • Das Wasser in der Bodenplatte des Gerätes erreicht den vollen Wasserstand 	<ul style="list-style-type: none"> • Lassen Sie das in der Basis befindliche Wasser ab.

GARANTIE

- Dieses Produkt hat eine 24-monatige Garantie. Ihre Garantie ist gültig, wenn das Produkt gemäß den Anweisungen und für die Zwecke, für die es geschaffen wurde, benutzt wird. Darüber hinaus muss der ursprüngliche Kaufbeleg (Rechnung, Kassenbon oder Quittung) mit dem Kaufdatum, dem Namen des Händlers und der Artikelnummer des Produkts eingereicht werden.
- Detaillierte Garantiebedingungen entnehmen Sie bitte unserer Service-Webseite unter www.service.tristar.eu



UMWELT

Dieses Gerät darf nach Ablauf des Lebenszyklus nicht im Hausmüll entsorgt werden, sondern muss an einer Zentralstelle zum Recycling von elektrischen und elektronischen Haushaltsgeräten abgegeben werden. Dieses Symbol am Gerät, das Betriebshandbuch und die Verpackung beziehen sich auf diesen wichtigen Punkt. Die beim Gerät verwendeten Materialien können recycelt werden. Durch das Recycling von gebrauchten Haushaltsgeräten leisten Sie einen wichtigen Beitrag zum Schutz unserer Umwelt. Fragen Sie örtliche Behörden nach Informationen bezüglich der Sammelstelle.

DE

UNTERSTÜTZUNG

Sie finden alle verfügbaren Informationen und Ersatzteile unter service.tristar.eu!

PRECAUCIONES IMPORTANTES

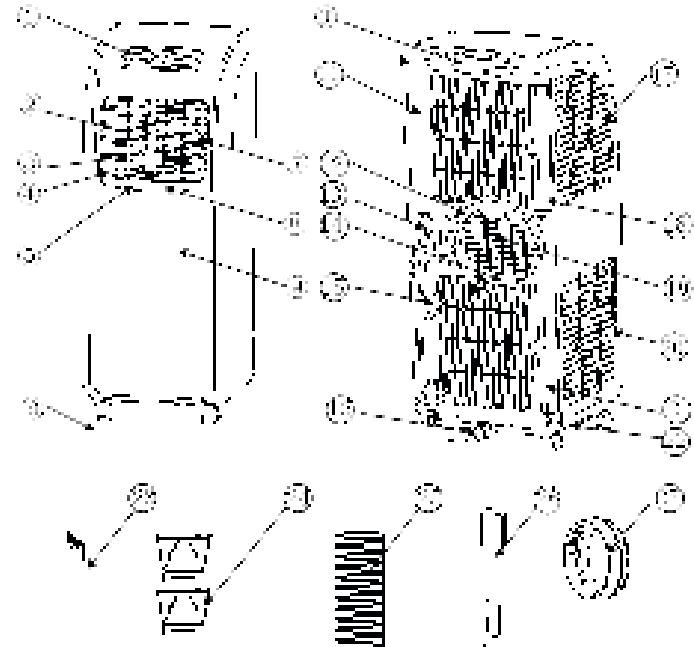
- Este aire acondicionado está diseñado para ser usado solamente en interiores, y no en otras situaciones.
- Potencia nominal de funcionamiento: esta unidad deberá conectarse a una toma de corriente de 220-240V / 50Hz.
- El aire acondicionado deberá instalarse según las regulaciones locales de cableado eléctrico para asegurar que tenga una toma de tierra correcta. Si tuviera alguna pregunta sobre la instalación eléctrica, siga el manual de instrucciones o pida a un técnico electricista que realice la instalación siempre que fuera necesario.
- Sitúe esta unidad sobre un lugar plano y seco y manténgala al menos a 50cm de los objetos y paredes circundantes.
- Una vez que el aire acondicionado esté instalado, asegúrese de que el cable del enchufe esté en buenas condiciones e insertado firmemente en la toma de corriente, y asegúrese siempre de que el cable de alimentación esté desplegado de forma que se evite que las personas tropiecen con él o lo desenchufen al tirar.
- No introduzca ningún objeto en las tomas/salidas de aire del aire acondicionado. Asegúrese de mantener despejadas las tomas/salidas de aire del aire acondicionado.
- Cuando sea necesaria la instalación de un tubo de drenaje, asegúrese de que la conexión del tubo esté en buenas condiciones y sin dobladuras.
- Cuando ajuste la rejilla de ventilación horizontal/vertical de salida de aire, gírela levemente a mano para evitar daños a la rejilla.
- Mantenga la unidad en posición vertical cuando la desplace.
- Mantenga la unidad alejada de la gasolina, gases inflamables, hornos u otras fuentes de calor.
- No desmonte, inspeccione o modifique la unidad sin autorización, puesto que podría provocar averías en la unidad, e incluso lesiones físicas y daños materiales. Para evitar peligros, deje que sean el fabricante o profesionales los que reparen la unidad en caso de avería.
- No instale ni utilice este aire acondicionado en un cuarto de baño u otros entornos húmedos.
- No permita que jueguen los niños con esta máquina. Vigile de cerca a los niños o a las personas con minusvalía cuando esté usándose la unidad.
- No apague la unidad quitando el enchufe.
- No coloque objetos tales como vasos sobre la unidad, para evitar que se derramen agua u otros líquidos dentro del aire acondicionado.
- No utilice aerosoles insecticidas u otras sustancias inflamables cerca del aire acondicionado.
- No limpie ni lave la unidad con disolventes químicos como son la gasolina, el alcohol, etc. Antes de limpiar el aire acondicionado, asegúrese de haberlo apagado y pase un paño suave y semihúmedo. Si la máquina estuviera muy sucia, limpie con un limpiador neutro.
- No utilice esta unidad si la temperatura ambiente fuera superior a 35°C en modo de refrigeración.
- El aparato deberá instalarse según las regulaciones nacionales de cableado eléctrico.
- Este aparato puede ser utilizado por niños de 8 años

o más, así como por personas con capacidades físicas, sensoriales o mentales reducidas o con falta de experiencia y conocimientos, siempre que estén supervisados o formados sobre el uso seguro del aparato y comprendan los peligros implicados. Los niños no deben jugar con la unidad. Los niños no harán la limpieza y el mantenimiento del usuario, a menos que sean mayores de 8 años y estén supervisados.

- Mantenga el aparato y su cable lejos del alcance de niños menores de 8 años.

PIEZAS

1. Panel de mandos
2. Rejilla de ventilación horizontal
3. Rejilla de ventilación vertical
4. Bastidor de salida de aire
5. Manivela de conexión de la rejilla de ventilación vertical
6. Ruedas
7. Manivela de conexión de la rejilla de ventilación horizontal
8. Rejilla de ventilación vertical principal
9. Panel delantero
10. Posición del asa
11. Panel trasero
12. Enganche en forma de C del escape de aire caliente
13. Cable de corriente
14. Parte inferior del conducto de aire
15. Soporte para enrollar cable
16. Tapón de drenaje de rosca
17. Malla del filtro evaporador
18. Bastidor del filtro evaporador
19. Malla fina de radiador
20. Malla del filtro condensador
21. Bastidor del filtro condensador
22. Bancada (Lado derecho: lugar de almacenamiento del mando a distancia)
23. Mando a distancia
24. Conector exterior del tubo de escape de aire caliente
25. Agarre del tubo de escape de aire caliente
26. Conjunto de la tabla-junta para ventana
27. Anillo conector



INSTALACIÓN

- Advertencia: mantenga este aire acondicionado móvil en posición vertical al menos 2 horas antes de usarlo por primera vez.
- Es posible mover cómodamente este aire acondicionado. Manténgalo en posición vertical al moverlo. El aire acondicionado deberá colocarse sobre un suelo plano. No instale ni utilice este aire acondicionado en un cuarto de baño u otros entornos húmedos.

MONTAJE

Tubo de escape de aire caliente

- Conector externo de escape de aire caliente (Figura 1A)
- Conector corto del tubo de escape de aire caliente (Figura 2A)
- Conector externo de escape de aire caliente (Figura 1)
- Extraiga las dos piezas del conector externo del tubo de escape de aire caliente. Estas dos piezas son iguales en estructura.
- Sostenga una pieza con cada mano, ponga la junta de una pieza en los surcos de la otra y presione hasta que encajen con firmeza (Figura 1A).
- Extraiga ambos conectores del tubo de escape de aire caliente y atornille ambos conectores en el tubo de escape de aire caliente (Figura 1 + 2A).

Instalación del enganche en forma de C del tubo de escape de aire caliente

Coloque el orificio giratorio del enganche en forma de C sobre el eje giratorio de la parte trasera de la unidad (como se muestra en la Figura 3).

Instalación del tubo de escape de aire caliente

- Levante el enganche en forma de C con una mano y coloque con la otra el conector corto del tubo de escape de aire caliente en la cavidad de la parte trasera de la unidad. (como se muestra en la Figura 5).
- Ajuste con firmeza el tubo de escape presionando el enganche en forma de C hacia abajo hasta que escuche un clic. (como se muestra en la Figura 5).

Instalación de la tabla-junta para ventana

- Abra la ventana y monte la tabla-junta para ventana sobre la misma, ya sea en vertical o en horizontal (como se muestra en las Figuras 7 y 8).
- Separe las piezas de la tabla-junta para ventana, ajuste la distancia de la tabla para que los dos extremos de la misma entren en contacto con el marco de la ventana; sujete las piezas de la tabla con tornillos de cobre.

Instalación de la unidad

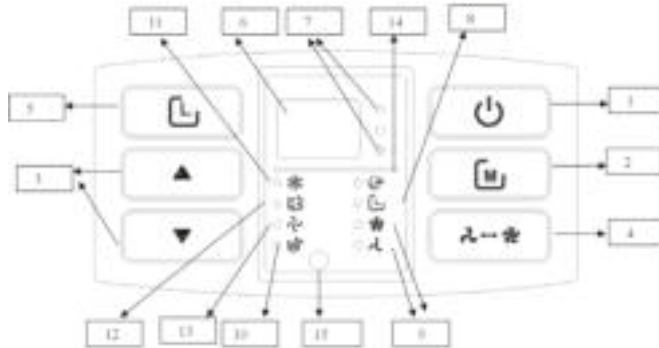
- Asegúrese de que la unidad esté colocada al menos a 50cm de las paredes u otros objetos. (como se muestra en la Figura 9).
- Ajuste el extremo plano del tubo de escape de aire caliente en el orificio elíptico de la tabla-junta para ventana (como se muestra en las Figuras 10 y 11).

Notas importantes

- El tubo de escape mide 280mm-1.500 mm y esta longitud se determina en función de las especificaciones del/de los aire/s acondicionado/s. No utilice un prolongador de tubo ni lo sustituya por tubos diferentes, ya que esto podría afectar al funcionamiento del aire acondicionado. El escape deberá estar despejado puesto que el aire acondicionado podría sobrecalentarse si se obstruye.
- el tubo de escape de aire caliente no deberá doblarse y no deberá someterse a una flexión significativa (mayor de 45°); el tubo de escape de aire caliente deberá ventilarse apropiadamente.

INSTRUCCIONES DE MANEJO DEL PANEL DE MANDOS

- | | |
|---|--|
| 1. Botón Encender/Apagar | 9. Indicador de Alta/Baja |
| 2. Botón Modo | 10. Indicador de lleno de agua |
| 3. Botón Subir/Bajar | 11. Indicador de frío |
| 4. Botón Ventilador | 12. Indicador de deshumidificar |
| 5. Botón Temporizador | 13. Indicador de ventilador |
| 6. Pantalla de doble 88 | 14. Indicador de modo Dormir |
| 7. Indicador de grados Celsius/Fahrenheit | 15. Ubicación del sensor del mando a distancia |
| 8. Indicador del temporizador | |



INSTRUCCIONES DE FUNCIONAMIENTO

- Cuando la unidad se enchufa por primera vez, se escuchará el zumbador, la pantalla mostrará la temperatura ambiente y el intervalo de indicación de temperatura es 10-35 °C. La unidad entrará en modo de espera.
- Presione el botón Encender/Apagar para poner en marcha o parar la unidad. La unidad entrará en modo de refrigeración. La velocidad del ventilador es alta y la temperatura establecida es 23°C.
- Presione el botón Modo para alternar entre los modos de refrigeración, suministro de aire y secado. Mientras tanto, los indicadores correspondientes se iluminarán.
- Modo de refrigeración: Presione el botón Modo para escoger este modo. En este modo, presione el botón Subir/Bajar para establecer la temperatura deseada. El intervalo de temperatura es 17-30°C. Una pulsación hará que la

- temperatura aumente o baje en 1°C. Presione el botón Ventilador para elegir una velocidad de ventilador apropiada. Presione el botón Temporizador + el botón Bajar a la vez para elegir el modo Dormir. En este modo, después de que la unidad haya funcionado durante 2 horas, la configuración de temperatura subirá automáticamente 1°C. Después de otras 2 horas de funcionamiento, la configuración de temperatura volverá a subir 1°C. Después de eso, la configuración de temperatura no volverá a cambiar.
- En el modo de secado, si la temperatura ambiente es mayor de 17°C, se arrancará el compresor. Cuando la temperatura ambiente baje de 15°C, el compresor se apagará. Si la temperatura ambiente se eleva por encima de 17°C, el compresor volverá a arrancar.
- En el modo de suministro de aire, solo funciona el motor del ventilador.

Botón Ventilador

El ventilador funcionará de las siguientes maneras en el modo de refrigeración (excepto en modo Dormir) y en modo de suministro de aire: alta > baja > alta.

Botón Temporizador

- Durante el funcionamiento, presione el botón Temporizador para introducir el tiempo de parada.
- Durante el modo de espera, presione el botón Temporizador para introducir el tiempo de arranque. Mientras tanto, el indicador del temporizador se iluminará.
- Presione el botón Temporizador para acceder a la función de temporizado (arranque/parada). Utilice el botón Subir o Bajar para establecer el tiempo deseado en horas.
- Una vez establecido el tiempo de arranque o parada, el indicador del temporizador se apagará y se mostrará la temperatura ambiente.

Botón Subir/Bajar

- Presione el botón Subir o botón Bajar cuando se muestre la temperatura ambiente, la temperatura ambiente cambiará a la temperatura deseada (la unidad no responderá a esta operación en los modos de suministro de aire y secado).
- En el modo de refrigeración, el intervalo de configuración de temperatura es 17-30°C.
- Presione los botones Subir y Bajar simultáneamente para cambiar entre grados Fahrenheit y Celsius. Cuando se muestren los grados en Celsius, el indicador de grados Celsius se iluminará.

ES

DRENAJE DE AGUA

Manual (Figura 12)

- Una vez que la unidad se apague al estar llena de agua, apague la unidad y desenchúfela.
- Coloque una bandeja bajo el escape de agua en la parte trasera de la unidad.
- Quite el tapón de drenaje de rosca, extraiga el tapón de presión y el agua saldrá al exterior.
- Incline levemente la unidad hacia atrás cuando la drene.
- Si la bandeja de agua se llena antes de que la unidad esté vacía, bloquee el escape con el tapón de presión lo antes posible para evitar que el agua llegue al suelo o a la moqueta.
- Una vez drenada toda el agua, inserte el tapón de presión y coloque el tapón de rosca con firmeza.
- Encienda la unidad únicamente después de que tanto el tapón de presión como el de rosca hayan sido debidamente colocados; si no, el condensado de la unidad goteará sobre el suelo o la moqueta.

Drenaje continuo (Figuras 13 + 14)

- Quite el tapón de drenaje de rosca e inserte una manguera de drenaje de PVC de 13mm entre 8mm-10mm en el escape de agua.
- Conecte la manguera de drenaje a un inodoro o al exterior.
- Cuando funcione en modo de calefacción, utilice el drenaje continuo; de lo contrario, la unidad podría apagarse si se llena de agua.
- Ponga la manguera de drenaje en un lugar inaccesible a una altura no superior a la del escape de agua y mantenga la manguera libre de dobladuras.

MANTENIMIENTO Y SERVICIO

Antes de proceder al mantenimiento y servicio de la unidad, apáguela y desenchúfela.

- Limpie la superficie de la unidad con un paño húmedo y suave. No utilice disolventes químicos como son alcohol y gasolina; de lo contrario, la superficie del aire acondicionado podría verse dañada.
- Limpie los filtros una vez cada dos semanas. Si el bastidor del filtro y este mismo se congestionan de polvo, el funcionamiento del aire acondicionado podría verse reducido.

- Retire con suavidad el bastidor del filtro en la dirección indicada por la flecha (como se muestra en las Figuras 15 + 16).
- Sumerja los filtros en agua caliente (unos 40°C) a la que se añadirá limpiador neutro y después se secarán a la sombra.
- Asegúrese de que los filtros estén totalmente secos antes de volver a ponerlos en la unidad.

RESOLUCIÓN DE PROBLEMAS

Indicación del problema/ avería	Causa	Remedio
El aire acondicionado no funciona	<ul style="list-style-type: none"> • No hay corriente • ¿Se ilumina el indicador de lleno de agua? • ¿Temperatura ambiente muy baja? • La temperatura en la habitación es inferior a la temperatura establecida en el modo de refrigeración. 	<ul style="list-style-type: none"> • Conecte la unidad a una toma de pared con corriente y enciéndala. • Drene el agua contenida en la unidad. • Se recomienda que la unidad sea utilizada entre 10-35°C. • Cambie la temperatura establecida
Efectos negativos de refrigeración o calefacción	<ul style="list-style-type: none"> • Hay luz solar directa • Las puertas y ventanas están abiertas, la habitación está llena de personas o hay otras fuentes de calor en el modo de refrigeración • La malla del filtro está muy sucia • La toma o el escape de aire están congestionados 	<ul style="list-style-type: none"> • Corra la cortina. • Cierre la puerta y la ventana y añada más aires acondicionados • Limpie o sustituya la malla del filtro • Elimine la obstrucción
Mucho ruido	<ul style="list-style-type: none"> • El aire acondicionado no está sobre una superficie plana 	<ul style="list-style-type: none"> • Ponga el aire acondicionado sobre una superficie plana y firme (podría reducir el ruido)
El compresor no funciona	<ul style="list-style-type: none"> • Inicio de la protección contra sobrecalentamientos. 	<ul style="list-style-type: none"> • Espere 3 minutos hasta que la temperatura descienda y después encienda la unidad
El mando a distancia no funciona	<ul style="list-style-type: none"> • La distancia es muy larga • El mando a distancia no apunta hacia el cabezal receptor del mando a distancia • Las pilas están descargadas 	<ul style="list-style-type: none"> • Acerque el mando a distancia al aire acondicionado y asegúrese de que el mando apunta hacia el cabezal receptor del mando a distancia. • Sustituya las pilas

Indicación del problema/ avería	Causa	Remedio
Pantalla E1	<ul style="list-style-type: none"> Fallo del sensor de temperatura del conducto 	<ul style="list-style-type: none"> Compruebe el sensor de temperatura del conducto y sus circuitos relacionados
Pantalla E2	<ul style="list-style-type: none"> Fallo del sensor de temperatura de la habitación 	<ul style="list-style-type: none"> Compruebe el sensor de temperatura de la habitación y sus circuitos relacionados
Pantalla E4	<ul style="list-style-type: none"> Protección anticongelante 	<ul style="list-style-type: none"> Devuelve las funciones automáticamente una vez descongelado.
Se ilumina el indicador de lleno de agua	<ul style="list-style-type: none"> El agua en la bancada de la unidad alcanza el nivel de lleno 	<ul style="list-style-type: none"> Drene el agua en la bancada.

ES

GARANTÍA

- Este producto tiene una garantía de 24 meses. Su garantía será válida si el producto se usa según las instrucciones y con el fin para el que ha sido creado. Además, deberá mandarse el documento original de compra (factura, tique o recibo) con la fecha de compra, el nombre del vendedor y el código de artículo del producto.
- Para consultar las condiciones completas de la garantía, rogamos que se dirija a nuestra web: www.service.tristar.eu



MEDIOAMBIENTE

Este aparato no debe desecharse con la basura doméstica al final de su vida útil, sino que se debe entregar en un punto de recogida para el reciclaje de aparatos eléctricos y electrónicos. Este símbolo en el aparato, manual de instrucciones y embalaje quiere atraer su atención sobre esta importante cuestión. Los materiales utilizados en este aparato se pueden reciclar. Al reciclar los aparatos domésticos usados, contribuye de manera importante a la protección de nuestro medioambiente. Consulte a sus autoridades locales para obtener información acerca del punto de recogida.

ATENCIÓN

¡Podrá encontrar toda la información conocida y recambios disponibles en service.tristar.eu!

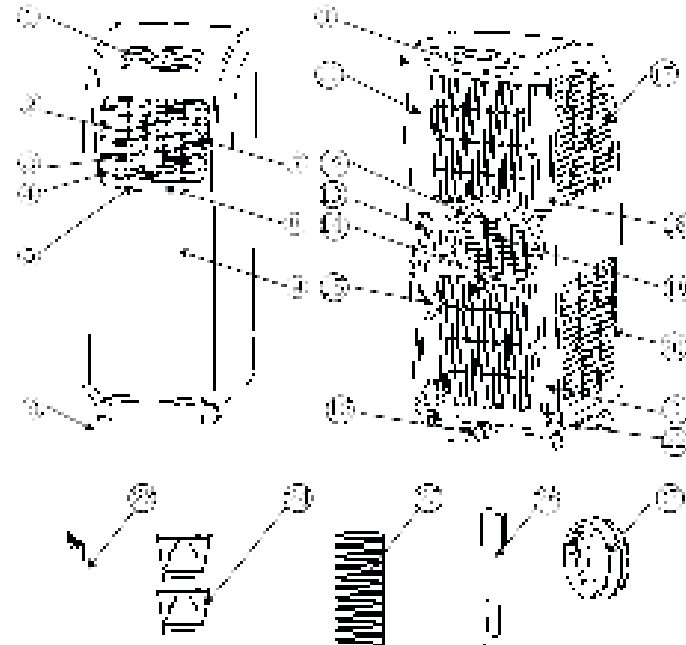
SALVAGUARDAS IMPORTANTES

- Este ar condicionado destina-se apenas a ser usado no interior e não para em outras ocasiões.
- Gama de funcionamento classificada: esta unidade deverá estar ligada a uma potência de saída de 220-240V/50Hz.
- O ar condicionado deverá estar instalado de acordo com as regras de ligação da grelha local para garantir uma ligação à terra adequada. Caso tenha qualquer questão acerca da instalação elétrica, siga o Manual do Utilizador ou solicite a execução da instalação a um eletricista profissional sempre que for necessário.
- Por favor, coloque esta unidade num local plano e seco e mantenha-a a, pelo menos, 50 cm dos objetos circundantes e paredes.
- Quando o ar condicionado estiver instalado, certifique-se de que a ficha se encontra em boas condições e inserida firmemente na tomada de alimentação e certifique-se sempre de que o cabo de alimentação está organizado de forma a impedir que as pessoas tropecem no mesmo ou que a ficha seja desligada.
- Não insira nenhum objeto na entrada/saída de ar do ar condicionado. Certifique-se de que mantém a entrada/saída de ar do ar condicionado desbloqueada.
- Sempre que houver necessidade de instalar uma conduta de drenagem, certifique-se de que a ligação da mesma se encontra em boas condições e sem flexão.
- Ao ajustar a persiana horizontal/vertical na saída de ar, rode-a ligeiramente com a mão para evitar danos na mesma.
- Mantenha a unidade numa posição vertical quando a deslocar.
- Mantenha esta unidade longe da gasolina, gases inflamáveis, fornos ou outras fontes de calor.
- Não desmonte, inspecione ou modifique a unidade sem autorização, uma vez que poderá resultar em falha na unidade ou até em ferimentos físicos e danos na propriedade; para evitar perigos, se a unidade apresentar falhas, certifique-se de que a envia para reparação para o fabricante ou profissionais.
- Não instale nem opere este ar condicionado numa casa de banho ou noutros ambientes húmidos.
- Não deixe as crianças brincarem com esta máquina. Supervisione de perto as crianças ou pessoas com deficiências quando esta unidade estiver a ser utilizada.
- Não desligue esta unidade retirando a ficha.
- Não coloque objetos, como chávenas, na unidade para impedir o derramamento de água ou outros líquidos no ar condicionado.
- Não use aerossóis de controlo de pragas nem outras substâncias inflamáveis perto do ar condicionado.
- Não limpe nem lave a unidade com solventes químicos, tais como, gasolina e álcool, etc. Antes de limpar o ar condicionado, certifique-se de que desliga a fonte de alimentação e limpe-o com um pano macio e semi-húmido; se a máquina estiver muito suja, limpe-a com um detergente neutro.
- Não opere esta unidade se a temperatura ambiente for superior a 35°C no modo de refrigeração.
- O aparelho deverá ser instalado de acordo com os regulamentos de ligação nacionais.

- O aparelho pode ser utilizado por crianças com idade igual ou superior a 8 anos de idade e por pessoas com capacidades físicas, sensoriais ou mentais reduzidas, ou com falta de experiência e conhecimento, se receberem supervisão ou instruções relacionadas com a utilização do aparelho de uma forma segura e compreenderem os perigos envolvidos. As crianças não devem brincar com o aparelho. A limpeza e manutenção pelo utilizador não deverão ser feitas por crianças a não ser que tenham mais de 8 anos de idade e estejam sob vigilância.
- Mantenha o aparelho e o cabo fora do alcance de crianças com idade inferior a 8 anos.

PEÇAS

1. Painel de controlo
2. Persiana horizontal
3. Persiana vertical
4. Estrutura de saída do ar
5. Alavanca de ligação da Persiana Vertical
6. Rodas
7. Alavanca de ligação da Persiana Horizontal
8. Persiana vertical principal
9. Prateleira frontal
10. Posição do manipulo
11. Prateleira traseira
12. Fivela em forma de C de exaustão de calor
13. Cabo de alimentação
14. Parte inferior da conduta de ar inferior
15. Local de enrolamento dos cabos
16. Cobertura de escoamento
17. Rede do filtro do evaporador
18. Estrutura do filtro do evaporador
19. Rede fina de radiação
20. Rede do filtro do condensador
21. Estrutura do filtro do condensador
22. Placa base (Lado direito: área de armazenamento do control remoto)
23. Controlo remoto
24. Conetor externo do tubo de exaustão de calor
25. Encaixe do tubo de exaustão de calor
26. Montagem da placa de vedação da janela
27. Conetor Redondo



PT

INSTALAÇÃO

- Aviso: deixe este ar condicionado móvel numa posição vertical durante, pelo menos, 2 horas antes de o usar pela primeira vez.
- Este ar condicionado poderá ser movido para o interior de forma conveniente; deixe o ar condicionado numa posição vertical enquanto o move. O ar condicionado deverá ser colocado numa superfície terrestre plana. Não instale nem opere este ar condicionado numa casa de banho ou noutros ambientes húmidos.

MONTAGEM

Tubo de exaustão do calor

- Conetor exterior de exaustão do calor (Figura 1A)
- Conetor curto do tubo de exaustão do calor (Figura 2A)
- Conetor exterior de exaustão do calor (Figura 1)
- Retire as duas peças do conetor exterior do tubo de exaustão do calor com estrutura idêntica.
- Segure uma peça em cada mão, coloque a junta de uma peça na direção da ranhura da outra peça e pressione-as para as encaixar firmemente (Figura 1A).
- Retire os dois conectores do tubo de exaustão do calor e aparafuse-os no tubo de exaustão do calor (Figura 1 + 2A).

Instalação da fivela em forma de C do tubo de exaustão do calor

Coloque o orifício rotativo da fivela em forma de C sobre o eixo de rotação na parte posterior da unidade (conforme ilustrado na Figura 3).

Instalação do tubo de exaustão do calor

- Levante a fivela em forma de C com uma mão e, com a outra mão, o conetor curto do tubo de exaustão do calor na folga na parte posterior da unidade. (conforme ilustrado na Figura 5).
- Tranque firmemente o tubo de exaustão empurrando a fivela em forma de C para baixo até encaixar com um clique. (conforme ilustrado na Figura 5).

Instalação da placa de vedação da janela

- Abra a janela e monte a placa de vedação da janela na janela, na vertical ou na horizontal (conforme ilustrado nas Figuras 7 e 8).
- Separe as peças da placa de vedação da janela, ajuste a distância de montagem de modo a que as duas extremidades entrem em contacto com a estrutura da janela e aperte as peças com parafusos de cobre.

Instalação da unidade

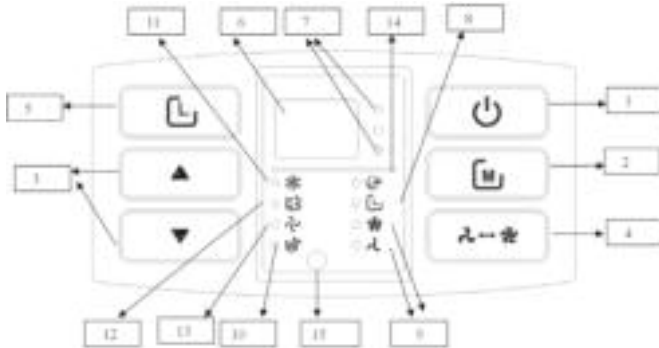
- Certifique-se de que a unidade está colocada a, pelo menos, 50 cm de distância entre as paredes e os outros objetos. (Conforme ilustrado na Figura 9).
- Encaixe a extremidade plana do tubo de exaustão do calor no orifício elíptico da placa de vedação da janela (conforme ilustrado nas Figuras 10 e 11).

Notas importantes

- O tubo de exaustão possui um comprimento de 280 mm-1500 mm que é determinado com base na especificação do(s) sistema(s) de ar condicionado. Não use um tubo prolongado nem substitua por outros tubos diferentes, uma vez que poderá afetar as funções do ar condicionado. A exaustão tem de ser suave e o ar condicionado poderá sobreaquecer caso a exaustão esteja obstruída.
- O tubo de exaustão do calor não pode ser dobrado, não pode ter uma flexão significativa (mais de 45°) e deverá estar apropriadamente ventilado.

INSTRUÇÕES DE FUNCIONAMENTO DO PAINEL DE CONTROLO

- | | |
|---|--|
| 1. Botão Ligar/Desligar | 9. Indicador Alto/Baixo |
| 2. Botão Modo | 10. Indicador de Água cheia |
| 3. Botão Para cima/Para baixo | 11. Indicador de Refrigeração |
| 4. Botão Ventoinha | 12. Indicador de Desumidificação |
| 5. Botão Temporizador | 13. Indicador de Ventoinha |
| 6. Área de apresentação Duplo 88 | 14. Indicador de modo de Suspensão |
| 7. Indicador de Graus Celsius/ Fahrenheit | 15. Localização do sensor do controlo remoto |
| 8. Indicador do temporizador | |

**INSTRUÇÕES DE FUNCIONAMENTO:**

- Quando a unidade é ligada pela primeira vez, a campainha emite um sinal sonoro, o visor mostra a temperatura ambiente e a gama de apresentação da temperatura é de 10—35 °C. A unidade entra no modo de espera.
- Prima o botão ligar/desligar para ligar ou desligar a unidade. A unidade entra no modo de refrigeração. A velocidade da ventoinha está alta e a temperatura definida é de 23°C.
- Prima o botão de modo para alternar entre os modos de refrigeração, fornecimento de ar e secagem. Entretanto, os indicadores correspondentes acenderão.
- Modo de refrigeração: Prima o botão Modo para escolher este modo.

- Neste modo, prima o botão Para cima/Para baixo para definir a temperatura pretendida. A faixa de temperatura é de 17-30°C. Se premir uma vez, a temperatura aumentará ou diminuirá 1°C. Prima o botão Ventoinha para escolher uma velocidade da ventoinha adequada. Prima o botão Temporizador + e o botão Temporizador – em conjunto para escolher o modo Suspensão. Neste modo, após a unidade funcionar durante 2 horas, a temperatura definida aumenta 1°C automaticamente. Após funcionar durante mais 2 horas, a temperatura definida aumenta novamente 1°C. Depois disso, a temperatura definida não mudará.
- No modo de secagem, se a temperatura ambiente for superior a 17°C, o compressor iniciará. Quando a temperatura ambiente fica abaixo dos 15°C, o compressor desliga. Quando a temperatura ambiente fica acima dos 17°C, o compressor liga novamente.
 - No modo de fornecimento de ar, apenas o motor da ventoinha funciona.

Botão Ventoinha

A ventoinha irá funcionar das seguintes formas no modo de refrigeração (exceto no modo de suspensão) e no modo de fornecimento de ar: alto>baixo>alto.

Botão Temporizador

- Durante o funcionamento, prima o botão Temporizador para introduzir a hora de desligamento.
- Durante o modo de espera, prima o botão Temporizador para introduzir a hora de início. Entretanto, o indicador do temporizador acenderá.
- Prima o botão Temporizador para entrar na função de temporização (início/desligamento). Use o botão Para cima ou Para baixo para definir o tempo pretendido em horas.
- Após a definição do tempo de início ou desligamento, o indicador do temporizador desaparecerá e a temperatura ambiente será apresentada.

Botão Para cima/Para baixo

- Prima o botão Para cima ou Para baixo quando estiver a visualizar a temperatura ambiente e esta mudará para a temperatura pretendida (a unidade não responderá a esta operação nos modos de fornecimento de ar e secagem).
- No modo de refrigeração, a faixa de definição de temperatura é de 17-30°C.

- Prima os botões Para cima e Para baixo em simultâneo para alternar entre graus Fahrenheit e graus Celsius. Quando são apresentados os graus Celsius, o indicador de graus Celsius acende.

DRENAGEM DA ÁGUA

Manual (Figura 12)

- Quando a unidade parar de funcionar após ficar cheia de água, desligue-a e retire a respetiva ficha da tomada de alimentação.
- Coloque um tabuleiro para a água por baixo da saída de água, na parte posterior da unidade.
- Desaparafuse a cobertura do escoamento, desligue a tomada de água e deixe a água escorrer.
- Incline ligeiramente a unidade para trás durante a drenagem.
- Se o tabuleiro da água ficar cheio antes de a unidade esvaziar, tape a saída de água com a tomada de água o mais depressa possível para impedir que a água escorra para o chão ou tapete.
- Quando a água estiver totalmente drenada, insira a tomada de água e aparafuse-a ligeiramente.
- Ligue a unidade apenas depois de instalar corretamente a tomada de água e a cobertura de escoamento; caso contrário, a condensação da unidade escorrerá para o chão ou tapete.

Drenagem contínua (Figura 13 + 14)

- Desaparafuse a tomada de água e insira um tubo de drenagem de PVC de 13 mm, 8 mm-10 mm na saída de água.
- Ligue o tubo de drenagem à sanita ou ao exterior.
- Quando estiver a funcionar no modo de aquecimento, adote a drenagem contínua; caso contrário, a unidade poderá desligar quando a água encher.
- Coloque o tubo de drenagem num local acessível, a uma altura não superior à saída de água, e mantenha-o livre de flexão.

Manutenção e Reparação

Antes de executar qualquer manutenção ou reparação na unidade, desligue-a e retire a ficha da tomada.

- Limpe a superfície da unidade com um pano macio e húmido. Não use solventes químicos, tais como, álcool e gasolina; caso contrário, a superfície do ar condicionado poderá ficar danificada.
- Limpe os filtros uma vez a cada duas semanas. Se a estrutura do filtro e o filtro ficarem obstruídos com pó, o funcionamento do ar condicionado poderá ficar diminuído.
- Retire cuidadosamente a estrutura do filtro na direção indicada pela seta (conforme ilustrado na Figura 15 + 16).
- Coloque os filtros em água quente (cerca de 40°C), adicione detergente neutro e, em seguida, seque-os à sombra.
- Certifique-se de que os filtros estão completamente secos antes de os voltar a colocar na unidade.

RESOLUÇÃO DE PROBLEMAS

Indicação de problema/falha	Causa	Solução
O ar condicionado não funciona	<ul style="list-style-type: none"> • Não existe alimentação • O indicador de Água cheia acende? • A temperatura ambiente está demasiado baixa? • A temperatura ambiente é inferior à temperatura definida no modo de refrigeração. 	<ul style="list-style-type: none"> • Ligue a unidade a uma tomada com alimentação e ligue-a. • Escorra a água armazenada na unidade. • Recomenda-se que esta unidade funcione a uma temperatura de 10-35°C. • Altere a temperatura definida
Efeitos negativos de refrigeração ou aquecimento	<ul style="list-style-type: none"> • Existe luz solar direta • As portas e as janelas estão abertas, a sala está cheia de gente ou existem outras fontes de calor no modo de refrigeração • A rede do filtro está bastante suja • A entrada ou saída de ar está obstruída 	<ul style="list-style-type: none"> • Feche a cortina • Feche a porta e as janelas e adicione novos sistemas de ar condicionado • Limpe ou substitua a rede do filtro • Remova a obstrução
Grande ruído	<ul style="list-style-type: none"> • O ar condicionado não está colocado numa superfície plana 	<ul style="list-style-type: none"> • Coloque o ar condicionado numa superfície plana e firme (poderá reduzir o ruído)

Indicação de problema/falha	Causa	Solução
O compressor não funciona	<ul style="list-style-type: none"> Iniciação da proteção de sobreaquecimento. 	<ul style="list-style-type: none"> Aguarde 3 minutos até a temperatura diminuir e, em seguida, ligue a unidade
O controlo remoto não funciona	<ul style="list-style-type: none"> Está demasiado distante O controlo remoto não aponta em direção ao recetor do mesmo As pilhas estão gastas 	<ul style="list-style-type: none"> Aproxime o controlo remoto do ar condicionado e certifique-se de que o mesmo aponta na direção do recetor do controlo remoto Substitua as pilhas
Visor E1	<ul style="list-style-type: none"> Falha no sensor de temperatura do tubo 	<ul style="list-style-type: none"> Verifique o sensor de temperatura do tubo e os circuitos relacionados
Visor E2	<ul style="list-style-type: none"> Falha no sensor de temperatura ambiente 	<ul style="list-style-type: none"> Verifique o sensor de temperatura ambiente e os circuitos relacionados
Visor E4	<ul style="list-style-type: none"> Proteção anti-congelamento 	<ul style="list-style-type: none"> Restaure as funções automaticamente após o descongelamento.
O indicador de Água cheia acende	<ul style="list-style-type: none"> A água na placa de base da unidade atingiu o nível máximo 	<ul style="list-style-type: none"> Escorra a água na placa de base.

GARANTIA

- Este produto possui uma garantia de 24 meses. A garantia apenas é válida se o produto for utilizado de acordo com as instruções e para os fins para o qual foi concebido. Além disso, o comprovativo original da compra (fatura, talão ou recibo) deve vir com a data da compra, o nome do comerciante e o código do produto.
- Para obter os detalhes sobre as condições da garantia, por favor visite o nosso website de serviço: www.service.tristar.eu



AMBIENTE

Este aparelho não deve ser depositado no lixo doméstico no fim da sua vida útil, mas deve, sim, ser entregue num ponto central de reciclagem de aparelhos domésticos elétricos e eletrónicos. Este símbolo indicado no aparelho, no manual de instruções e na embalagem chama a sua atenção para a importância desta questão. Os materiais utilizados neste aparelho podem ser reciclados. Ao reciclar aparelhos usados está a contribuir para dar um importante passo na proteção do nosso meio ambiente. Peça às autoridades locais informações relativas aos pontos de recolha.

APOIO

Podem encontrar toda a informação e peças de reserva disponíveis em service.tristar.eu!

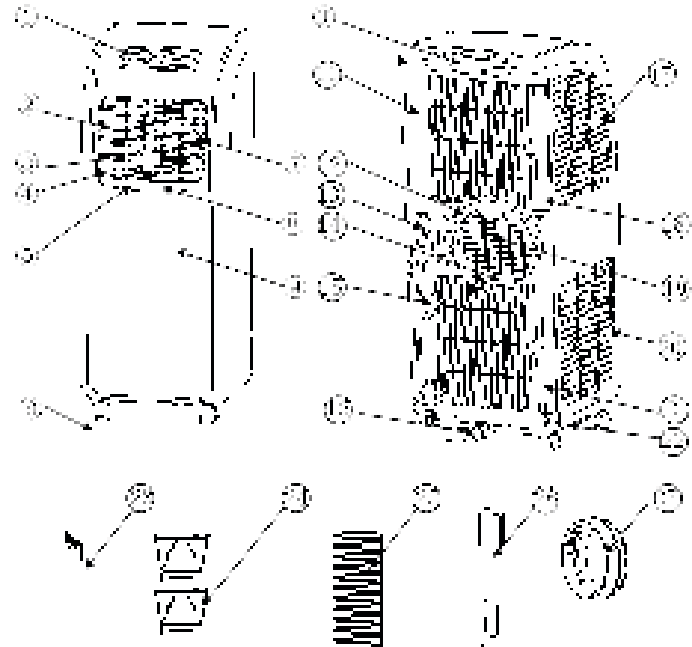
WAŻNE UWAGI DOTYCZĄCE BEZPIECZEŃSTWA

- Klimatyzator ten nadaje się do stosowania jedynie w pomieszczeniach zamkniętych.
- Znamionowy zakres roboczy: to urządzenie należy podłączać do gniazdka sieciowego 220-240V / 50Hz.
- Klimatyzator należy zainstalować zgodnie z przepisami elektrycznymi dotyczącymi lokalnej sieci zasilania, tak aby zapewnić prawidłowe uziemienie. W przypadku wątpliwości dotyczących instalacji elektrycznej należy postępować według Instrukcji Użytkownika lub w razie konieczności zlecić instalację zawodowemu elektrykowi.
- Urządzenie ustawić na płaskim i suchym miejscu oraz w odległości co najmniej 50 cm od otaczających je przedmiotów i ścian.
- Po zainstalowaniu klimatyzatora sprawdzić, czy wtyczka z przewodem zasilania elektrycznego są w dobrym stanie i prawidłowo włożone do gniazdka zasilania i zawsze upewniać się, że przewód zasilający został tak poprowadzony, aby uchronić personel przed potknięciem się o niego lub czy wtyczka jest wyciągnięta z gniazdka zasilania.
- Nie wkładać żadnych przedmiotów w światło wlotu/wylotu powietrza klimatyzatora. Sprawdzić, czy wlot/wylot powietrza klimatyzatora nie jest zablokowany.
- Tam gdzie jest konieczność instalacji rurki spustowej, sprawdzić, czy złączka rurki spustowej jest w dobrym stanie, bez zgięcia.
- Ustawiając poziomą/pionową żaluzję nawiewu powietrza, obrócić ją lekko ręką, uważając, aby jej nie uszkodzić.
- Przesuwając urządzenie, utrzymywać je w pozycji pionowej.
- Trzymać urządzenie z dala od benzyny, gazów łatwopalnych, pieca czy innych źródeł ciepła.
- Nie demontować, nie sprawdzać ani nie modyfikować urządzenia bez upoważnienia, gdyż może to spowodować jego uszkodzenie a nawet obrażenia ciała i zniszczenie mienia; aby uniknąć niebezpieczeństwa, jeśli urządzenie jest uszkodzone, należy zapewnić jego naprawę przez producenta lub przez uprawnionego fachowca.
- Tego klimatyzatora nie wolno instalować ani obsługiwać w łazience lub w innych wilgotnych środowiskach.
- Nie pozwalać dzieciom bawić się tym urządzeniem. Ścisłe nadzorować dzieci lub osoby niepełnosprawne, gdy urządzenie pracuje.
- Nie wolno wyłączać urządzenia poprzez wyjęcie wtyczki z gniazdka zasilania.
- Na urządzeniu nie wolno stawiać takich przedmiotów jak filizanki, aby uniknąć przedostania się do klimatyzatora wody lub innych rozlanych płynów.
- W pobliżu klimatyzatora nie używać aerozoli do zwalczania szkodników lub innych substancji palnych.
- Nie wycierać ani nie czyścić urządzenia rozpuszczalnikami chemicznymi, takimi jak benzyna czy alkohole itp. Przed przystąpieniem do czyszczenia klimatyzatora upewnić się, czy jest wyłączony i przetrzeć go miękką, wilgotną ściereką; jeśli urządzenie jest bardzo zabrudzone, wytrzeć go z użyciem obojętnego środka czyszczącego.
- Urządzenia nie wolno używać, gdy temperatura otoczenia jest wyższa niż 35°C.
- Urządzenie musi być zainstalowane zgodnie z

- krajowymi przepisami elektrycznymi.
- Urządzenie może być używane przez dzieci powyżej 8 lat lub przez osoby z ograniczonymi zdolnościami fizycznymi, czuciowymi i umysłowymi lub brakiem doświadczenia i wiedzy, o ile odbywa się to pod nadzorem lub otrzymały instrukcje odnośnie używania urządzenia w bezpieczny sposób i rozumieją związane z tym zagrożenia. Urządzenie nie jest przeznaczone do zabawy dla dzieci. Czyszczenie i konserwacja urządzenia nie mogą być dokonywana przez dzieci, chyba że mają ukończone 8 lat są pod nadzorem.
- Urządzenie wraz z przewodem trzymać z dala od dzieci w wieku poniżej 8 lat.

CZĘŚCI

1. Panel sterowania
2. Żaluzja pozioma
3. Żaluzja pionowa
4. Ramka nadmuchu powietrza
5. Dźwignia łącząca żaluzję pionową
6. Kółko samonastawne
7. Dźwignia łącząca żaluzję poziomą
8. Główna żaluzja pionowa
9. Osłona przednia
10. Położenie uchwytu
11. Osłona tylna
12. Sprzączka w kształcie C węża wylotu ciepła
13. Przewód zasilania elektrycznego
14. Spód dolnego kanału powietrza
15. Uchwyt do nawijania kabla
16. Zaślepka odpływu
17. Siatka filtra parownika
18. Ramka filtra parownika
19. Promienista siatka drobna
20. Siatka filtra skraplacza
21. Ramka filtra skraplacza
22. Płyta podstawy (prawa strona: miejsce na pilota)
23. Pilot
24. Zewnętrzny łącznik węża odprowadzania ciepłego powietrza
25. Zatrząsk węża odprowadzania ciepła
26. Zespół płyty uszczelnienia okna
27. Złączka okrągła



INSTALACJA

- Ostrzeżenie: Pozostawić ten klimatyzator przenośny w położeniu pionowym na 2 godziny przed pierwszym użyciem.
- Klimatyzator ten można przestawiać w dogodnym położeniu; po przestawieniu pozostawić go w pozycji pionowej. Klimatyzator należy umieszczać na płaskiej powierzchni posadzki. Nie wolno instalować go ani obsługiwać w łazience czy w innych wilgotnych środowiskach.

MONTAŻ

Wąż odprowadzania ciepła

- Złącze zewnętrzne węża odprowadzania ciepła (Rysunek 1A)
- Złącze krótkie węża odprowadzania ciepła (Rysunek 2A)
- Złącze zewnętrzne węża odprowadzania ciepła (Rysunek 1)
- Wyjąć dwa elementy zewnętrznego złącza węża odprowadzania ciepła, oba elementy mają tę samą budowę.
- Przytrzymać jeden element jedną ręką umieścić złącze jednego elementu w kierunku rowka drugiego elementu i ścisnąć je tak, aby zatrzasnęły się (Rysunek 1A).
- Wyjąć oba złącza węża odprowadzania ciepła, przykręcić oba załącza do węża odprowadzania ciepła (Rysunek 1 + 2A).

Sprzączka w kształcie C węża wylotu ciepła

Otwór obrotowy sprzączki w kształcie C umieścić występie obrotowym w tylnej ścianie urządzenia (jak pokazano na Rysunku 3).

Montaż przewodu odprowadzania ciepła

- Jedną ręką unieść sprzączkę w kształcie C, a drugą ręką umieścić krótkie złącze węża odprowadzania ciepła w zagłębieniu z tyłu urządzenia (jak pokazano na Rysunku 5).
- Zablockować nieruchomo wąż odprowadzania ciepła, wciskając złączkę w kształcie C aż do zatrzaśnięcia. (Jak pokazano na Rysunku 5).

Montaż zespołu płyty uszczelnienia okna

- Otworzyć okno i na oknie zamocować zespół płyty uszczelniającej okno, pionowo lub poziomo (jak pokazano na Rysunku 7 i 8).
- Rozłączyć części zespołu uszczelnienia okna, wyregulować odległość zespołu tak, aby oka końce zespołu zetknęły się z framugą okna, przymocować części zespołu za pomocą miedzianych wkrętów.

Montaż urządzenia

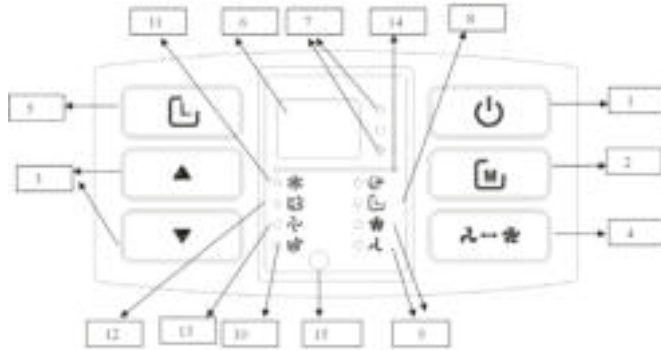
- Sprawdzić, czy urządzenie znajduje się w odległości co najmniej 50 cm od ścian czy innych przedmiotów. (Jak pokazano na Rysunku 9).
- Płaski koniec węża odprowadzania ciepła zatrzasnąć w otworze eliptycznym zespołu płyty uszczelnienia okna (jak pokazano na Rysunku 10 i 11).

Ważne uwagi

- Wąż odprowadzający ma długość 280mm-1500mm, a tak długość wynika ze specyfikacji klimatyzatora (s). Nie stosować dłuższego węża lub nie wymieniać go na inne, gdyż to wpłynie niekorzystnie na funkcje klimatyzatora. Wylot musi być gładki, gdyż klimatyzator może się przegrzewać, jeśli wylot będzie o mniejszej średnicy lub będzie zatkany.
- Wąż odprowadzania ciepła nie może być zgięty i będzie wolny od większych zagięć (powyżej 45°), wąż odprowadzania ciepła musi być właściwie wentylowany.

INSTRUKCJA OBSŁUGI PANELU STERUJĄCEGO

- | | |
|--|---------------------------------|
| 1. Przycisk włączania/wyłączania | 9. Kontrolka w górę/w dół |
| 2. Przycisk trybu | 10. Kontrolka napełnienia wodą |
| 3. Przycisk w górę/w dół | 11. Kontrolka chłodzenia |
| 4. Przycisk wentylatora | 12. Kontrolka osuszania |
| 5. Przycisk czasomierza (timer) | 13. Kontrolka wentylatora |
| 6. Obszar wyświetlacza podwójnego 88 | 14. Kontrolka trybu uśpienia |
| 7. Kontrolka stopni Celsjusza/ Fahrenheita | 15. Lokalizacja czujnika pilota |
| 8. Kontrolka czasomierza (timer) | |



INSTRUKCJA UŻYTKOWANIA:

- Podczas włączania urządzenia do sieci po raz pierwszy, zabrzęczy brzęczyk, wyświetlacz wskaże temperaturę otoczenia, a zakres temperatury wyświetlacza wynosi 10—35 °C. Urządzenie przechodzi do trybu czuwania.
- Aby włączyć lub wyłączyć urządzenie, należy nacisnąć przycisk włączania/wyłączania (ON/OFF). Urządzenie przejdzie do trybu chłodzenia. Prędkość wentylatora jest duża a ustawiona temperatura wynosi 23°C.
- Nacisnąć przycisk trybu (MODE), aby przełączyć pomiędzy chłodzeniem a nadmuchem powietrza i trybami suszenia. W

- międzyczasie zaświecą się odpowiednie kontrolki.
- Tryb chłodzenia: Nacisnąć przycisk trybu, aby wybrać ten tryb. W tym trybie nacisnąć przycisk w górę/ w dół w celu ustawienia żądanej temperatury. Zakres temperatury wynosi 17-30°C. Jedno naciśnięcie zwiększa lub zmniejsza temperaturę zadaną o 1°C. Wcisnąć przycisk wentylatora (FAN) w celu wybrania stosownej prędkości jego obrotów. Nacisnąć przycisk czasomierza (TIMER) oraz przycisk kierunkowy w dół jednocześnie, aby wybrać ten tryb uśpienia (Sleep). W tym trybie, po upływie 2 godzin pracy urządzenia temperatura ustawienia wzrasta automatycznie o 1°C. Po upływie następnych 2 godzin pracy urządzenia temperatura ustawienia ponownie wzrasta o 1°C. Później temperatura ustawienia nie zmienia się.
- W trybie suchym, jeśli temperatura otoczenia jest powyżej 17°C, włączy się sprężarka. Gdy temperatura otoczenia opadnie poniżej 15°C, sprężarka wyłączy się. Kiedy temperatura otoczenia wzrośnie powyżej 17°C, sprężarka zostanie uruchomiona ponownie.
- W trybie nadmuchu pracuje jedynie silnik wentylatora.

Przycisk wentylatora (FAN)

Wentylator będzie pracował w trybie chłodzenia (za wyjątkiem trybu uśpienia) i w trybie nadmuchu: duży>mały>duży.

Przycisk czasomierza (TIMER)

- Podczas pracy urządzenia nacisnąć przycisk czasomierza (TIMER), aby wprowadzić czas wyłączenia.
- W trybie czuwania nacisnąć przycisk czasomierza (TIMER), aby wprowadzić czas włączenia. W międzyczasie zaświeci się kontrolka czasomierza (Timer).
- Nacisnąć przycisk czasomierza (TIMER) w celu wprowadzenia funkcji odmierzenia czasu (włączenia/wyłączenia). Przyciskiem w górę/w dół ustawić żądany czas w godzinach.
- Po ustawieniu czasu włączenia lub wyłączenia kontrolka czasomierza (Timer) zgaśnie i wyświetli się temperatura otoczenia.

PRZYCISK W GÓRĘ/W DÓŁ

- Naciśnij przycisk w górę lub przycisk w dół podczas wyświetlania temperatury otoczenia, temperatura otoczenia zmieni się na żądaną temperaturę (urządzenie nie zareaguje na tę operację w trybach nadmuchu powietrza i suszenia).
- W trybie chłodzenia zakres regulacji temperatury wynosi 17-30°C.
- Nacisnąć przycisk w górę i w dół jednocześnie w celu przełączania między jednostkami stopni Fahrenheita i Celsjusza. W przypadku wyświetlania temperatury w stopniach Celsjusza świeci się kontrolka stopni Celsjusza.

ODPŁYW WODY

Ręczny (Rysunek 12)

- Gdy urządzenie zatrzyma się z powodu pełnego zbiornika wody, należy odłączyć urządzenie z sieci zasilania, wyjmując wtyczkę kabla z gniazdka sieciowego.
- Podłożyć tackę na wodę pod wylot wody z tyłu urządzenia.
- Odkręcić zaślepkę spustu wody, woda wypłynie.
- W trakcie opróżniania pochylić urządzenie lekko do tyłu.
- Jeśli tacka z wodą napełni się, zanim urządzenie się opróżni, zatkać otwór wypływu wody, aby zapobiec wylaniu się wody na posadzkę lub dywan.
- Po całkowitym opróżnieniu urządzenia z wody, założyć zaślepkę i dokręcić ją do oporu.
- Urządzenie włączać tylko wtedy, gdy zaśleпка spustu wody jest prawidłowo dokręcona i założona jej nasadka; inaczej skropliny będą się wylewać z urządzenia na posadzkę lub dywan.

Odplyw stały (Rysunek 13 + 14)

- Odkręcić Nasadkę odpływu wody; w wylot odpływu włożyć wąż odprowadzający wodę 13mm PCW 8mm-10mm.
- Wąż odpływu odprowadzić do toalety lub na zewnątrz.
- Podczas pracy w trybie ogrzewania założyć odpływ ciągły; w przeciwnym razie urządzenie może się wyłączać ze względu na napełnienie wodą.
- Wąż spustowy umieścić w niedostępnym miejscu na wysokości nie wyższej niż wylot wody i nie dopuszczać do zgięcia węża.

Konserwacja i serwis

Przed przystąpieniem do konserwacji i obsługi urządzenia wyłączyć zasilanie i wyjąć szmatkę z gniazdka zasilania.

- Miękką szmatką oczyścić powierzchnię urządzenia. Nie wolno używać rozpuszczalników takich jak alkohol czy benzyna; w przeciwnym razie powierzchnia klimatyzatora może ulec uszkodzeniu.
- Filtry czyścić co dwa tygodnie. Jeśli w ramka filtra wraz filtrem są zanieczyszczone pyłem, funkcja klimatyzatora może się osłabić.
- Wyjąć ramkę filtra delikatnie w kierunku wskazanym przez strzałkę (patrz Rysunek 15 + 16).
- Filtry włożyć do ciepłej wody (ok. 40°C) z dodatkiem obojętnego środka do mycia, następnie osuszyć je w cieniu.
- Przed ich ponownym zamontowaniem w urządzeniu sprawdzić, czy filtry są całkowicie suche.

ROZWIĄZYWANIE PROBLEMÓW

Problem/usterka	Przyczyna	Środek zaradczy
Klimatyzator nie działa	<ul style="list-style-type: none"> • Brak zasilania • Czy świeci się kontrolka napełnienia wodą? • Czy nie jest zbyt niska temperatura otoczenia? • Temperatura w pomieszczeniu jest niższa niż temperatura zadana w trybie chłodzenia. 	<ul style="list-style-type: none"> • Urządzenie podłączyć do sprawnego gniazdka zasilania i włączyć go. • Spuścić wodę z urządzenia. • Zaleca się, aby urządzenie pracowało w temp. 10-35°C. • Zmienić temperaturę zadaną.
Złe skutki chłodzenia lub ogrzewania	<ul style="list-style-type: none"> • Czy pada na urządzenie bezpośrednie światło słoneczne? • Otwarte są drzwi i okna, pokój jest załoczonny lub występują inne źródła ciepła w trybie chłodzenia. • Siatka filtra jest bardzo zabrudzona. • Zatkany jest dopływ lub odpływ powietrza. 	<ul style="list-style-type: none"> • Zasłonić okno. • Zamknąć drzwi i okna i wstawić nowe klimatyzatory. • Oczyszczyć lub wymienić siatkę filtra. • Usunąć zator.
Duży hałas	<ul style="list-style-type: none"> • Klimatyzator nie stoi na płaskiej powierzchni. 	<ul style="list-style-type: none"> • Ustawić klimatyzator na płaskim i twardym miejscu (to może zmniejszyć poziom hałasu).
Nie działa sprężarka	<ul style="list-style-type: none"> • Włączyło się zabezpieczenie przed przegrzaniem. 	<ul style="list-style-type: none"> • Odczekać 3 minuty aż temperatura opadnie, a następnie włączyć urządzenie.

Problem/ usterka	Przyczyna	Środek zaradczy
Nie działa pilot	<ul style="list-style-type: none"> Zbyt duża odległość. Pilot nie jest skierowany w stronę czujnika odbiorczego nadajnika pilota. Baterie są rozładowane. 	<ul style="list-style-type: none"> Przybliżyć pilot do klimatyzatora i upewnić się, że pilot jest skierowany w stronę czujnika odbiorczego nadajnika pilota na urządzeniu. Wymienić baterie
Wyświetlacz E1	<ul style="list-style-type: none"> Usterka czujnika temperatury przewodu. 	<ul style="list-style-type: none"> Sprawdzić czujnik temperatury przewodu i związane z nim obwody.
Wyświetlacz E2	<ul style="list-style-type: none"> Usterka czujnika temperatury w pomieszczeniu. 	<ul style="list-style-type: none"> Sprawdzić czujnik temperatury w pomieszczeniu i związane z nim obwody.
Wyświetlacz E4	<ul style="list-style-type: none"> Zabezpieczenie przed zamrożeniem. 	<ul style="list-style-type: none"> Automatycznie przywraca się sprawność funkcji po odmrożeniu.
Czy świeci się kontrolka napełnienia wodą?	<ul style="list-style-type: none"> Woda w płycie podstawy urządzenia osiąga najwyższy poziom. 	<ul style="list-style-type: none"> Spuścić wodę z płyty podstawy urządzenia.

GWARANCJA

- Ten produkt posiada gwarancję ważną przez okres 24 miesięcy. Gwarancja jest ważna, jeśli produkt jest używany zgodnie z instrukcjami i do celu, dla którego został stworzony. Ponadto musi być przedłożony dokument pierwszego zakupu (faktura lub paragon dowód sprzedaży) wraz z datą zakupu, nazwą sklepu i numerem pozycji danego produktu.
- Szczegółowe warunki gwarancji znajdują się na naszej stronie internetowej: www.service.tristar.eu



ŚRODOWISKO

Urządzenia nie wolno wyrzucać wraz z odpadami domowymi, ale należy je zanieść do centralnego punktu recyklingu domowych urządzeń elektrycznych i elektronicznych. Ten symbol na urządzeniu, instrukcjach użytkownika i opakowaniu zwraca uwagę na ważne kwestie. Materiały zastosowane w tym urządzeniu mogą być poddane odzyskowi. Poprzez odzysk zastosowany w urządzeniach gospodarstwa domowego użytkownik wnosi istotny wkład w ochronę środowiska. Aby uzyskać informacje dotyczące punktów zbiórki, należy skontaktować się z lokalnymi władzami.

WSPARCIE

Wszystkie dostępne informacje i części zamienne można znaleźć na stronie: service.tristar.eu!

MISURE DI SICUREZZA IMPORTANTI

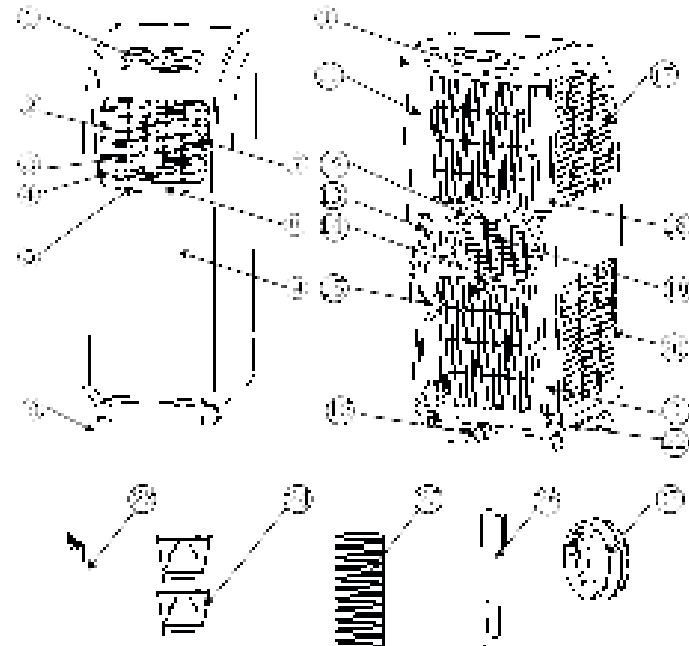
- Il presente impianto per aria condizionata deve essere utilizzato soltanto in interni e non è destinato a usi diversi da questo.
- Range funzionamento: il presente gruppo deve essere collegato a una presa di corrente da 220-240 V / 50 Hz.
- Installare il presente impianto per aria condizionata conformemente alla normativa sulle installazioni elettriche locale per assicurare una corretta messa a terra. In caso di domande sull'installazione elettrica, consultare il manuale istruzioni o far effettuare l'installazione da un elettricista professionista qualificato all'occorrenza.
- Collocare il gruppo su una superficie piana e asciutta con una luce minima di 50 cm da oggetti o pareti.
- Quando l'impianto per aria condizionata è stato installato, controllare che la presa sia in buone condizioni e inserire fermamente la spina nella presa controllando che il cavo di alimentazione sia collocato correttamente per evitare che il personale inciampi in essa o che la spina venga estratta dalla presa.
- Non inserire oggetti nell'ingresso/uscito dell'impianto per aria condizionata. Non bloccare l'ingresso/l'uscita dell'impianto per aria condizionata.
- Se è necessario installare un tubo di scarico, controllare che il tubo sia in buone condizioni senza piegature.
- Quando si regola la feritoia orizzontale/verticale dell'uscita dell'aria, girarla leggermente a mano per non danneggiarla.
- Tenere il gruppo in posizione verticale quando la si sposta.
- Tenere il gruppo lontano da benzina, gas infiammabili, forno o altre sorgenti di calore.
- Non smontare, controllare o modificare il gruppo senza autorizzazione per non provocare anomalie nel gruppo, lesioni personali e danni alle cose; se l'unità è difettosa, farla riparare dal produttore o da tecnici qualificati professionisti per evitare pericoli.
- Non installare e mettere in funzione l'impianto per aria condizionata in una stanza da bagno o altro ambiente umido.
- Non permettere ai bambini di giocare con l'apparecchio. Sorvegliare attentamente i bambini o persone con handicap quando l'apparecchio è in funzione.
- Non spegnere l'apparecchio sfilando la spina.
- Non collocare oggetti come tazze sul gruppo per impedire che acqua o altri liquidi rovesciati finiscano all'interno dell'impianto per aria condizionata.
- Non utilizzare insetticida o altre sostanze infiammabili vicino all'impianto.
- Non pulire o lavare l'apparecchio con solventi chimici come benzina e alcool. Prima di pulire l'impianto, scollegare l'alimentazione e pulire l'impianto con un panno morbido leggermente umido: se l'apparecchio è molto sporco, pulirlo con detergente neutro.
- Non mettere in funzione l'apparecchio se la temperatura ambiente supera 35°C nel modo raffreddamento.
- Installare l'apparecchio secondo la normativa locale per il collegamento elettrico.
- Quest'apparecchio può essere usato da bambini dagli 8 anni in su e da persone con ridotte capacità fisiche, sensoriali o mentali o che manchino di esperienza e di conoscenza, se hanno ricevuto

la supervisione o istruzioni riguardo all'uso dell'apparecchio in modo sicuro e comprendono gli eventuali pericoli. I bambini non devono giocare con l'apparecchio. Pulizia e manutenzione non possono essere eseguite da bambini inferiori a 8 anni. I bambini di almeno 8 anni devono essere sorvegliati se eseguono pulizia e manutenzione.

- Conservare apparecchio e cavo di alimentazione fuori dalla portata dei bambini di età inferiore a 8 anni.

PARTI

1. Pannello di comando
2. Feritoia orizzontale
3. Feritoia verticale
4. Telaio uscita aria
5. Leva collegamento feritoia verticale
6. Rotella
7. Leva collegamento feritoia inferiore
8. Leva verticale principale remoto
9. Involucro anteriore
10. Posizione impugnatura
11. Involucro posteriore
12. Curvatura a C del tubo di scarico calore
13. Cavo alimentazione
14. parte inferiore condotto aria inferiore
15. Palo avvolgicavo
16. Cappuccio di scarico
17. Maglie filtro evaporatore
18. Telaio filtro evaporatore
19. Maglie fine radianti
20. Maglie filtro condensatore
21. Telaio filtro condensatore
22. Piastra base (Lato destro: Controllo area rimessaggio)
23. Controllo remoto
24. Connettore esterno flessibile di scarico calore
25. Fascetta flessibile di scarico calore
26. Gruppo montaggio tenuta finestra
27. Connettore rotondo



INSTALLAZIONE

- Avvertenza: lasciare questo impianto per aria condizionata in posizione verticale per almeno 2 ore prima dell'uso.
- Il presente impianto per aria condizionata può essere spostato in interni; lasciare l'impianto per aria condizionata in posizione verticale durante lo spostamento. Collocare l'impianto per aria condizionata su una superficie piana. Non installare e mettere in funzione l'impianto per aria condizionata in una stanza da bagno o altro ambiente umido.

MONTAGGIO

Tubo di scarico calore

- Connettore esterno scarico calore (Figura 1 A)
- Connettore corto tubo di scarico calore (Figura 2 A)
- Connettore esterno scarico calore (Figura 1)
- Estrarre i due pezzi del connettore esterno tubo di scarico calore, questi due pezzi si trovano nella stessa struttura.
- Tenere un pezzo con una mano, inserire il giunto di un pezzo verso la scanalatura dell'altro e premerli per fissarli fermamente l'uno all'altro (Figura 1 A).
- Estrarre entrambi i connettori del tubo di scarico calore e avvitarli entrambi al tubo di scarico calore (Figura 1 + 2 A).

Installazione della curva a C del tubo di scarico calore

Collocare il foro rotante della curva a C sopra l'asse di rotazione sulla parte posteriore del gruppo (come mostrato nella figura 3).

Installazione del tubo di scarico calore

- Sollevare la curva a C con una mano e collocare con l'altra mano il connettore corto del tubo di scarico calore nella rientranza nella parte posteriore del gruppo. (come mostrato nella figura 5).
- Fissare fermamente il tubo di scarico spingendo la curva a C verso il basso finché non scatta in posizione. (come mostrato nella figura 5).

Installazione del gruppo montaggio tenuta finestra

- Aprire la finestra e installare il gruppo di montaggio tenuta finestra sulla finestra, verticalmente oppure orizzontalmente (come mostrato nelle figure 7 e 8).
- Smontare le parti del gruppo di montaggio tenuta finestra, regolare la distanza del gruppo in modo che le due estremità del gruppo vengano in contatto con il telaio della finestra e fissare le parti del gruppo con viti in rame.

Installazione del gruppo

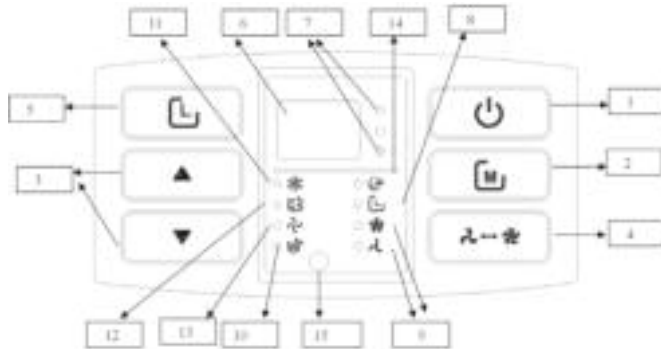
- Controllare che il gruppo sia collocata ad almeno 50 cm dal parete e altri oggetti. (come mostrato nella figura 9).
- Fissare l'estremità del flessibile tubo di scarico calore nel foro ellittico del gruppo di montaggio tenuta finestra (come mostrato nelle figure 10 e 11).

Note importanti

- Il tubo di scarico è lungo tra 280 mm e 1500 mm e la sua lunghezza è determinata in base alle specifiche dell'impianto/degli impianti per aria condizionata Non utilizzare prolunga né sostituire con tubi di tipo diverso per non provocare anomalie nell'impianto per l'aria condizionata. Lo scarico deve essere uniforme; l'impianto per aria condizionata può surriscaldarsi se lo scarico è ostruito.
- Il tubo di scarico calore non deve essere piegato e non deve presentare curve (maggiori di 45°), il tubo di scarico calore deve essere ventilato correttamente.

ISTRUZIONI DI FUNZIONAMENTO DEL PANNELLO DI COMANDO

- | | |
|---|---------------------------------|
| 1. Pulsante Acceso/Spento | 9. Indicatore Elevato/Ridotto |
| 2. Tasto Modo | 10. Indicatore acqua pieno |
| 3. Tasto Su/Giù | 11. Indicatore fresco |
| 4. Tasto Ventola | 12. Indicatore deumidificazione |
| 5. Tasto Timer | 13. Indicatore ventola |
| 6. Area display 88 doppia | 14. Indicatore modo Sleep |
| 7. Indicatore gradi Celsius/ Fahrenheit | 15. Posizione telecomando |
| 8. Indicatore Timer | |

**ISTRUZIONI PER L'USO:**

- Quando il gruppo viene collegato all'alimentazione per la prima volta, il cicalino suona, il display mostra la temperatura ambiente e il range display temperatura è 30—15 °C. Il gruppo passa al modo standby.
- Premere il tasto acceso/spento per accendere o spegnere il gruppo. Il gruppo passa al modo raffreddamento. La velocità della ventola è elevata e la temperatura impostata è 23°C.
- Premere il tasto modo per scorrere tra raffreddamento, alimentazione aria e modi di essiccazione. Nel frattempo si illumina il corrispondente indicatore.
- Modo raffreddamento: premere il tasto modo per selezionare questo modo. In questo modo, premere il tasto Su/Giù per impostare la

temperatura desiderata. Il range temperatura è 17-30°C. A ogni pressione la temperatura sale o scende di 1°C. Premere il tasto Ventola per selezionare la velocità della ventola adeguata. Premere contemporaneamente i tasti Timer + Giù per selezionare il modo Sleep. In questo modo, dopo che il gruppo è stato in funzione per 2 ore, la temperatura d'impostazione sale automaticamente di 1°C. Dopo che il gruppo è rimasto in funzione per altre 2 ore, la temperatura d'impostazione sale nuovamente di 1°C. Dopo di ciò, la temperatura d'impostazione non cambia.

- Nel modo essiccazione, il compressore si accende se la temperatura ambiente è maggiore di 17°C. Il compressore si spegne quando la temperatura ambiente scende al di sotto di 15°C. Il compressore si riavvia quando la temperatura ambiente sale oltre i 17°C.
- Nel modo alimentazione aria soltanto il motorino della ventola è in funzione.

Tasto ventola

La ventola funziona nei modi seguenti nel modo raffreddamento (escluso il modo Sleep) e nel modo Alimentazione aria. alto>basso>alto.

Tasto Timer

- Mentre l'apparecchio è in funzione, premere il tasto Timer per inserire il tempo di spegnimento.
- Mentre l'apparecchio è in standby, premere il tasto Timer per inserire il tempo di accensione. Nel frattempo si illumina il corrispondente indicatore.
- Premere il tasto Timer per inserire la funzione di temporizzazione (avvio/ spegnimento). Inserire l'orario desiderato in ore con i tasti Su e Giù.
- Dopo aver impostato l'orario di accensione o spegnimento, l'indicatore timer si spegne e la temperatura ambiente viene visualizzata.

Tasto su/giù

- Premere il tasto Su/Giù quando viene visualizzata la temperatura ambiente; la temperatura ambiente viene modificata alla temperatura ambiente desiderata (il gruppo non risponde quando si trova nel modo Alimentazione o Essiccazione).
- Nel modo raffreddamento, il range impostazione temperatura è 17-30°C.
- Premere contemporaneamente i tasti Su e Giù per passare da gradi Fahrenheit a Celsius e viceversa. Quando vengono visualizzati i gradi

Celsius, si illumina l'indicatore gradi Celsius.

SCARICO ACQUA

Manuale (Figura 12)

- Quando il gruppo si spegne per contenitore acqua pieno, spegnere il gruppo e sfilare la spina.
- Collocare un contenitore per la raccolta dell'acqua sotto lo scarico dell'acqua nella parte posteriore del gruppo.
- Svitare il cappuccio di scarico, togliere il tappo dell'acqua e lasciar fuoriuscire l'acqua.
- Inclinare leggermente il gruppo all'indietro quando si effettua lo scarico.
- Se il contenitore dell'acqua diventa pieno prima che il gruppo sia stato svuotato, bloccare lo scarico dell'acqua inserendo il tappo dell'acqua il più in fretta possibile per impedire che l'acqua fuoriesca sul pavimento o sulla moquette.
- Quando l'acqua è stata scaricata completamente, rimettere il tappo dell'acqua e avvitarlo bene sul cappuccio dell'acqua.
- Accendere il gruppo soltanto dopo aver installato correttamente il tappo dell'acqua e il cappuccio di scarico; in caso contrario, la condensa del gruppo fuoriesce sul pavimento o sulla moquette.

Scarico continuo (Figura 13 + 14)

- Svitare il cappuccio dell'acqua e inserire un tubo di scarico in PVC da 13 mm per 8-10 mm nello scarico acqua.
- Collegare il tubo di scarico al water o all'esterno.
- Quando l'apparecchio funziona nel modo di riscaldamento, adottare lo scarico continuo; in caso contrario, il gruppo può spegnersi a causa di serbatoio dell'acqua pieno.
- Collocare il tubo di scarico in un luogo inaccessibile a un'altezza non superiore allo scarico dell'acqua e non piegare il tubo di scarico.

Manutenzione e assistenza

Prima di effettuare manutenzione e assistenza dell'unità, scollegare l'alimentazione e togliere il tappo.

- Pulire la superficie dell'unità con un panno morbido inumidito. Non utilizzare solventi chimici come alcool e benzina per non danneggiare la superficie dell'impianto per aria condizionata.
- Pulire i filtri una volta ogni due settimane. Se il telaio del filtro e il filtro

sono intasati a causa della polvere, il funzionamento dell'impianto per aria condizionata può peggiorare.

- Estrarre delicatamente il telaio del filtro nella direzione della freccia (come mostrato nelle figure 15 e 16).
- Lavare i filtri in acqua calda (circa 40°C) e detergente neutro e lasciarli asciugare all'ombra.
- Controllare che i filtri siano completamente asciutti prima di rimontarli nel gruppo.

RICERCA DEI GUASTI

Problema/ indicazione di anomalia	Causa	Rimedio
L'impianto per aria condizionata non funziona	<ul style="list-style-type: none"> • Nessuna alimentazione • Indicatore acqua pieno? • È la temperatura ambiente troppo bassa? • la temperatura ambiente è inferiore alla temperatura impostata nel modo raffreddamento. 	<ul style="list-style-type: none"> • Collegare il gruppo a una presa e accendere l'apparecchio. • Scaricare l'acqua accumulata nel gruppo. • Si consiglia di far funzionare il gruppo a 10-35°C. • Come modificare la temperatura impostata
Raffreddamento insufficiente o effetti di riscaldamento	<ul style="list-style-type: none"> • L'apparecchio è esposto alla luce diretta del sole • Le porte e le finestre sono aperte, la stanza è affollata o ci sono altre sorgenti di calore nel modo raffreddamento • Maglie del filtro molto sporche • Ingresso aria o uscita aria intasati 	<ul style="list-style-type: none"> • Tirare la tenda. • Chiudere porte e finestre e aggiungere nuovi impianti per aria condizionata • Pulire o sostituire le maglie del filtro • Rimuovere l'ostruzione
Rumore eccessivo	<ul style="list-style-type: none"> • L'impianto per aria condizionata non è stato posizionato su una superficie piana 	<ul style="list-style-type: none"> • Attendere 3 minuti finché la temperatura non si abbassa e riaccendere il gruppo
Il compressore non funziona	<ul style="list-style-type: none"> • È scattata la termica. 	<ul style="list-style-type: none"> • Odczekać 3 minuty aż temperatura opadnie, a następnie włączyć urządzenie.
Il telecomando non funziona	<ul style="list-style-type: none"> • Distanza eccessiva • Il telecomando non è puntato dalla parte della testina di ricezione • Le batterie sono scariche 	<ul style="list-style-type: none"> • Collocare il telecomando vicino all'impianto per aria condizionata e controllare che il telecomando sia puntato dalla parte della testina di ricezione. • Sostituire le batterie

Problema/ indicazione di anomalia	Causa	Rimedio
Display E1	• Anomalia sensore temperatura tubo	• Controllare il sensore temperatura tubi e i circuiti correlati
Display E2	• Anomalia sensore temperatura ambiente	• Controllare il sensore temperatura ambiente e i circuiti correlati
Display E4	• Protezione anticongelamento	• Le funzioni vengono resettate automaticamente al termine dello scongelamento.
Indicatore acqua pieno	• L'acqua nella piastra di base del gruppo ha raggiunto il livello massimo	• Scaricare l'acqua nella piastra di base.

GARANZIA

- Il presente apparecchio è coperto da due anni di garanzia. La garanzia è valida se l'apparecchio viene utilizzato in conformità alle istruzioni e per lo scopo per il quale è stato realizzato. Inoltre, l'acquisto originale (fattura, ricevuta o scontrino) deve essere presentato con la data di acquisto, il nome del rivenditore e il numero articolo dell'apparecchio.
- Per le condizioni dettagliate della garanzia, fare riferimento al nostro sito di assistenza: www.service.tristar.eu



AMBIENTE

Questo apparecchio non deve essere gettato tra i rifiuti domestici alla fine del suo ciclo di vita, ma deve essere smaltito in un centro di riciclaggio per dispositivi elettrici ed elettronici domestici. Questo simbolo sull'apparecchio, il manuale d'istruzioni e la confezione mettono in evidenza questo problema importante. I materiali usati in questo apparecchio possono essere riciclati. Riciclando i dispositivi domestici puoi contribuire alla protezione del nostro ambiente. Contattare le autorità locali per informazioni in merito ai punti di raccolta.

SUPPORTO

È possibile trovare tutte le informazioni e i ricambi disponibili alla pagina service.tristar.eu!

VIKTIG SÄKERHETSINFORMATION

- Denna luftkonditionerare är endast avsedd för att användas inomhus.
- Spänningsintervall: enheten ska anslutas till en strömförsörjning på 220–240 V/50 Hz.
- Luftkonditioneraren ska installeras i enlighet med bestämmelserna för det lokala elnätet, för att säkerställa korrekt jordning. Om du har frågor om den elektriska installationen, följ Användarhandboken eller låt en kvalificerad elektriker utföra installationen, om nödvändigt.
- Placera enheten på en plan och torr plats, och lämna ett avstånd på minst 50 cm till föremål eller väggar i närheten.
- När luftkonditioneraren har installerats, se till att kontakten är i gott skick och ordentligt isatt i eluttaget, och se alltid till att dra strömkabeln så att ingen snubblar på den och så att kontakten inte dras ut.
- För inte in föremål i luftinloppet/-utloppet på luftkonditioneraren. Se till att luftinloppet/-utloppet på luftkonditioneraren inte blockeras.
- Om ett dräneringsrör behöver installeras, se till att rörets anslutning är i gott skick och att det inte är böjt.
- När du justerar det horisontella/vertikala ventilationsgallret vid luftutloppet, vrid det försiktigt för hand, för att undvika att det skadas.
- Håll enheten upprätt läge när du flyttar den.
- Håll enheten borta från bensen, lättantändliga gaser, ugnar och andra värmekällor.
- Demontera, inspektera eller modifiera inte enheten utan tillstånd, då detta kan orsaka fel på enheten, eller till och med person- eller egendomsskador; för att undvika risker, låt alltid tillverkaren eller en kvalificerad person reparera enheten om det är fel på den.
- Installera eller använd inte denna enhet i ett badrum eller på andra fuktiga platser.
- Låt inte barn leka med maskinen. Övervaka barn eller personer med funktionshinder noggrant när enheten används.
- Stäng inte av enheten genom att dra ut kontakten.
- Placera inte koppar eller liknande föremål på enheten, för att undvika att vatten eller annan vätska spills och hamnar i maskinen.
- Använd inte aerosoler för skadedjursbekämpning eller andra brandfarliga ämnen i närheten av luftkonditioneraren.
- Torka eller tvätta inte enheten med kemiska lösningsmedel såsom bensen, alkohol eller liknande. Innan du rengör luftkonditioneraren, se till att stänga av strömförsörjningen och torka den med en mjuk fuktad trasa; om maskinen är mycket smutsig, torka av den med ett neutralt rengöringsmedel.
- Använd inte enheten i kylningsläge om den omgivande temperaturen är över 35 °C.
- Utrustningen ska installeras i enlighet med nationella elinstallationsbestämmelser.
- Utrustningen kan användas av barn från 8 år och uppåt och personer med nedsatt fysisk, sensorisk eller mental förmåga eller brist på erfarenhet och kunskap

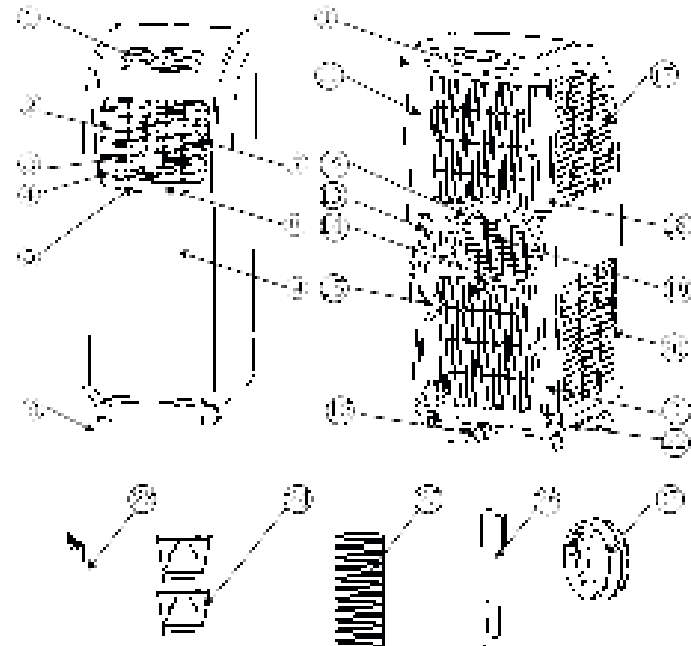
om de övervakas eller får instruktioner angående användning av mixern på ett säkert sätt och förstår riskerna. Barn ska inte leka med utrustningen.

Rengöring och underhåll ska inte utföras av barn om de inte är äldre än 8 år och övervakas.

- Håll utrustningen och dess sladd oåtkomliga för barn under 8 år.

DELAR

1. Kontrollpanel
2. Horisontellt ventilationsgaller
3. Vertikalt ventilationsgaller
4. Luftutloppshållare
5. Anslutningsspak för vertikalt ventilationsgaller
6. Hjul
7. Anslutningsspak för horisontellt
8. Vertikalt huvudventilationsgaller
9. Främre hölje
10. Handtagsposition
11. Bakre hölje
12. C-format spänne för värmeutlopp
13. Ström kabel
14. Botten på undre luftkanal
15. Plats för kabeln
16. Dräneringslock
17. Avdunstarfilternät
18. Avdunstarfilterhållare
19. Fint utstrålningsnät
20. Kondenserarfilternät
21. Kondenserarfilterhållare
22. Basplatta (Höger sida: ventilationsgaller förvaringsutrymme för fjärrkontroll)
23. Fjärrkontroll
24. Yttre anslutning för värmeutloppsslang Bakre hölje
25. Slanghake för värmeutloppsslang
26. Fönstertätningseenhet
27. Rund anslutning



INSTALLATION

- Varning: lämna denna mobila luftkonditionerare i upprätt läge i minst 2 timmar innan du använder den för första gången.
- Denna luftkonditionerare kan enkelt flyttas inomhus; håll luftkonditioneraren i upprätt läge när den flyttas. Placera luftkonditioneraren på en plan golvyta. Installera eller använd inte denna enhet i ett badrum eller på andra fuktiga platser.

MONTERING

Värmeutloppsslang

- Yttre anslutning för värmeutloppsslang (Bild 1A)
- Kort anslutning för värmeutloppsslang (Bild 2A)
- Yttre anslutning för värmeutloppsslang (Bild 1)
- Ta ut de två delarna av den yttre anslutningen för värmeutloppsslangen. Dessa två delar har samma struktur på ytan.
- Håll en del i varje hand, sätt kopplingen på ena delen mot spåret på den andra och tryck ihop dem tills de klickar fast ordentligt (Bild 1A).
- Ta ut båda anslutningarna för utloppsslangen och skruva fast båda anslutningarna på utloppsslangen (Bild 1 + 2A).

Installera det C-formade spännet för värmeutloppsslangen

Placera rotationshålet på det C-formade spännet över rotationsaxeln bak på enheten (såsom det visas i Bild 3).

Installera värmeutloppsslangen

- Lyft upp det C-formade spännet med en hand och placera med andra handen den korta anslutningen på värmeutloppsslangen i utskärningen bak på enheten. (såsom det visas på Bild 5).
- Lås fast utloppsslangen ordentligt genom att trycka det C-formade spännet nedåt tills det klickar på plats. (såsom det visas på Bild 5).

Installera fönstertätningseenheten

- Öppna fönstret och montera fönstertätningseenheten på fönstret, antingen vertikalt eller horisontellt (såsom det visas på Bild 7 och 8).
- Dra isär fönstertätningseenhetens delar, justera enhetens avstånd så att de två ändarna kommer i kontakt med fönsterkarmen och fäst enhetens delar med kopparskruvar.

Installera enheten

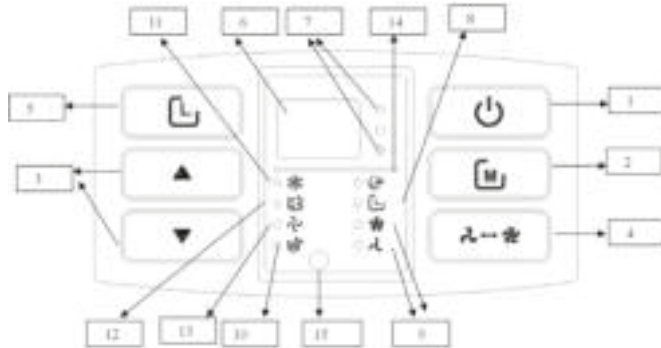
- Se till att placera enheten minst 50 cm från väggar och andra föremål. (Såsom det visas på Bild 9).
- Klicka fast den platta änden på värmeutloppsslangen in i det elliptiska hålet på fönstertätningseenheten (såsom det visas på Bild 10 och 11).

Viktiga anmärkningar

- Utloppsslangen är 280 mm – 1 500 mm lång och denna längd fastställs beroende på specifikationerna för luftkonditioneraren. Använd inte en förlängd slang, och byt inte ut mot andra slangar, då detta kan påverka luftkonditionerarens funktion. Utloppet måste fungera smidigt och luftkonditioneraren kan överhettas om utloppet blockeras.
- Värmeutloppsslangen får inte vikas och får inte ha stora böjar (större än 45°). Värmeutloppsslangen måste ventileras ordentligt.

ANVÄNDARINSTRUKTIONER FÖR KONTROLLPANELEN

- | | |
|--|---|
| 1. På/Av-knapp | 9. High/Low-indikator |
| 2. Lägesknapp (Mode) | 10. Vatten fullt-indikator (Water Full) |
| 3. Upp/Ner-knapp | 11. Kylnings-indikator (Cool) |
| 4. Fläktnapp (Fan) | 12. Avfuktning-indikator (Dehumidify) |
| 5. Timer-knapp | 13. Fläkt-indikator (Fan) |
| 6. Dubbelt 88-visningsområde för siffror | 14. Sleep-lägerindikator |
| 7. Indikator för Celsius/Fahrenheit-grader | 15. Fjärrkontrollsensorns placering |
| 8. Timer-indikator | |

**ANVÄNDARINSTRUKTIONER:**

- När enheten kopplas in första gången piper summern, displayen visar den omgivande temperaturen och temperaturdisplayens intervall är 10—35 °C. Enheten går in i standby-läge.
- Tryck på på/av-knappen för att slå på eller stänga av enheten. Enheten går in i kylningsläge. Fläkthastigheten är hög och den inställda temperaturen är 23 °C.
- Tryck på lägesknappen för att växla mellan lägena kylning, luftförsörjning och avfuktning. Samtidigt tänds motsvarande indikatorlampor.
- Kylningsläge: Tryck på lägesknappen för att välja detta läge. I detta läge, tryck på Upp/Ner-knappen för att ställa in önskad temperatur.

Temperaturintervallet är 17-30 °C. Ett tryck ökar eller minskar temperaturen med 1 °C. Tryck på fläktnappen (Fan) för att välja en lämplig fläkthastighet. Tryck på Timer-knappen och nerknappen samtidigt för att välja Sleep-läge. I detta läge, efter att enheten körts i 2 timmar, höjs den inställda temperaturen automatiskt 1 °C. Efter att ha körts i ytterligare 2 timmar höjs temperaturen 1 °C igen. Efter detta ändras inte den inställda temperaturen.

- I avfuktningläge startar kompressorn om den omgivande temperaturen är över 17 °C. Kompressorn stängs av när den omgivande temperaturen sjunker under 15 °C. Kompressorn startar igen när den omgivande temperaturen stiger över 17 °C.
- I luftförsörjningsläge körs endast fläktmotorn.

Fläktnappen (Fan)

Fläkten körs på följande sätt i kylningsläget (förutom sleep-läget) och luftförsörjningsläget: hög>låg>hög.

Timer-knappen

- Tryck på Timer-knappen när enheten körs för att ange avstängningstiden.
- Tryck på Timer-knappen under standby-läge för att ange starttiden. Under tiden lyser timer-indikatorn.
- Tryck på Timer-knappen för att gå till timerfunktionen (start/avstängning). Använd upp- eller ner-knappen för att ställa in önskad tid i timmar.
- Efter att start- eller avstängningstiden är inställd slocknar timer-indikatorn och den omgivande temperaturen visas.

Upp/Ner-knapp

- Tryck på upp- eller ner-knappen när den omgivande temperaturen visas. Temperaturen ändras till den önskade temperaturen (enheten svarar inte på denna åtgärd i lägena luftförsörjning och avfuktning).
- I kylningsläge är temperaturinställningsintervallet 17-30 °C.
- Tryck på upp- och ner-knappen samtidigt för att växla mellan Fahrenheit- och Celsius-grader. När Celsius-grader visas tänds Celsius-indikatorn.

VATTENTÖMNING

Manuell (Bild 12)

- När enheten är full med vatten och stängs av, stäng av enheten och koppla bort strömkontakten.
- Placera en bricka för vattnet under vattenutloppet bak på enheten.
- Skruva bort dräneringslocket och koppla bort vattenpluggen så rinner vattnet ut.
- Luta enheten bakåt något under tömningen.
- Om vattenbrickan blir full innan enheten är tom, blockera vattenutloppet med vattenpluggen så fort som möjligt för att förhindra att vatten rinner ut på golvet eller mattan.
- När allt vatten har tömts ut, sätt i vattenpluggen och skruva åt dräneringslocket ordentligt.
- Slå inte på enheten om vattenpluggen och dräneringslocket inte är korrekt monterade; annars rinner det kondenserade vattnet från enheten ut på golvet eller mattan.

Kontinuerlig dränering (Bild 13 + 14)

- Skruva bort vattenlocket och sätt i en 13 mm PVC-dräneringsslang 8 mm–10 mm in i vattenutloppet.
- Anslut dräneringsslangen till ett avlopp eller dra den utomhus.
- När du kör enheten i uppvärmningsläge, använd kontinuerlig dränering; annars kan enheten stängas av när den blir full med vatten.
- Placera dräneringsslangen på en oåtkomlig plats, inte högre upp än vattenutloppet, och bøj den inte.

Underhåll och service

Innan du utför underhåll och service på enheten, stäng av strömmen och koppla bort kontakten.

- Rengör enhetens yta med en fuktig, mjuk trasa. Använd inte kemiska lösningsmedel såsom alkohol eller bensin; detta kan skada luftkonditionerarens yta.
- Rengör filtren varannan vecka. Om filterhållaren och filtret är tilltäppta med damm kan luftkonditionerarens prestanda påverkas.
- Ta ut filterhållaren försiktigt i pilens riktning (såsom visas på Bild 15 + 16).
- Lägg filtren i varmt vatten (ungefär 40 °C) med ett neutralt rengöringsmedel för rengöring och torka dem sedan i skuggan.
- Se till att filtren är helt torra innan du sätter tillbaka dem i enheten.

FELSÖKNING

Problem/felindikering	Orsak	Lösning
Luftkonditioneraren fungerar inte	<ul style="list-style-type: none"> • Ingen ström • Lyser Vatten fullt-indikatorn (Water Full)? • Är den omgivande temperaturen för låg? • Rumstemperaturen är lägre än den inställda temperaturen i kylningsläge. 	<ul style="list-style-type: none"> • Anslut till ett aktivt eluttag och slå på den. • Töm ut vattnet från enheten. • Vi rekommenderar att enheten används i 10–35 °C. • Ändra den inställda temperaturen
Dålig kylnings- eller uppvärmningseffekt	<ul style="list-style-type: none"> • Direkt solljus förekommer • Dörrar och fönster är öppna, många personer befinner sig i rummet, eller andra värmekällor finns när kylningsläget används • Filternätet är mycket smutsigt • Luftinloppet eller -utloppet är igensatt 	<ul style="list-style-type: none"> • Dra för gardinerna. • Stäng dörrar och fönster och skaffa flera luftkonditionerare • Rengör eller byt ut filternätet • Ta bort hindret
Kraftigt buller	<ul style="list-style-type: none"> • Luftkonditioneraren står inte på en plan yta 	<ul style="list-style-type: none"> • Ställ luftkonditioneraren på en plan och stabil plats (detta kan minska bullret)
Kompressorn fungerar inte	<ul style="list-style-type: none"> • Överhettningsskyddet aktiverat. 	<ul style="list-style-type: none"> • Vänta 3 minuter tills temperaturen sjunker och slå sedan på enheten
Fjärrkontrollen fungerar inte	<ul style="list-style-type: none"> • För långt avstånd • Fjärrkontrollen är inte riktad mot fjärrkontrollsmottagaren • Batterierna är urladdade 	<ul style="list-style-type: none"> • Ta fjärrkontrollen närmare luftkonditioneraren och se till att fjärrkontrollen är riktad mot fjärrkontrollsmottagaren. • Byt batterier
Displayen visar E1	<ul style="list-style-type: none"> • Fel på rörtemperatursensorn 	<ul style="list-style-type: none"> • Kontrollera rörtemperatursensorn och dess kretsar
Displayen visar E2	<ul style="list-style-type: none"> • Fel på rumstemperatursensorn 	<ul style="list-style-type: none"> • Kontrollera rumstemperatursensorn och dess kretsar
Displayen visar E4	<ul style="list-style-type: none"> • Frysskydd 	<ul style="list-style-type: none"> • Funktionerna återställs automatiskt efter avfrostring.
Vatten fullt-indikatorn (Water Full) lyser	<ul style="list-style-type: none"> • Vattnet i basplattan har nått full vattennivå 	<ul style="list-style-type: none"> • Töm ut vattnet i basplattan.

GARANTI

- Denna produkt har 24 månaders garanti. Din garanti gäller om produkten används i enlighet med instruktionerna och det syfte för vilket den konstruerats. Dessutom måste originalköpehandling (faktura eller kvitto) uppvisas, med inköpsdatum, namnet på återförsäljaren och produktens serienummer.
- För detaljerade garantivillkor, se vår servicewebsite: www.service.tristar.eu



MILJÖ

Denna utrustning får inte kastas i hushållssoporna när den slitits ut, utan måste lämnas in på en återvinningsanläggning för elektrisk och elektronisk hushållsutrustning. Denna symbol på utrustningen, instruktionshandboken och förpackningen informerar dig om denna viktiga fråga. Materialet som använts i denna utrustning kan återvinnas. Genom att återvinna förbrukad hushållsutrustning bidrar du till skyddet av miljön. Kontakta dina lokala myndigheter för information om återvinningsställen.

SUPPORT

Du hittar all tillgänglig information och reservdelar på service.tristar.eu!

DŮLEŽITÁ UPOZORNĚNÍ

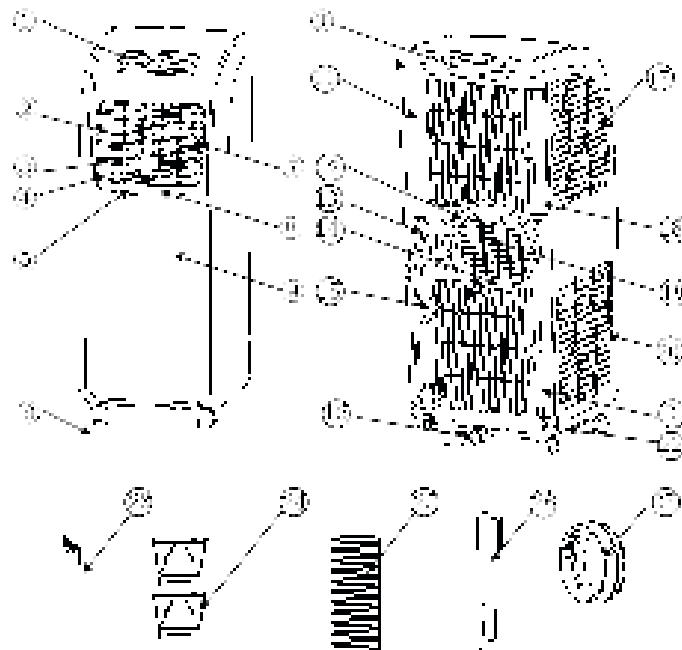
- Toto klimatizační zařízení je vhodné pouze pro vnitřní použití, pro jiný druh použití není vhodné.
- Jmenovitý provozní rozsah: toto zařízení musí být připojeno k napájení 220-240 V / 50 Hz.
- Toto klimatizační zařízení musí být nainstalováno v souladu s elektroinstalačními předpisy platnými pro místní síť, aby bylo zajištěno náležité uzemnění. Pokud máte v souvislosti s elektrickou instalací jakékoli dotazy, postupujte podle uživatelské příručky, nebo je-li to nutné, nechte si instalaci provést odborným elektrikářem.
- Postavte prosím toto zařízení na rovné a suché místo nejméně 50 cm od okolních předmětů nebo stěn.
- Po instalaci klimatizačního zařízení zajistěte, aby byl kabel v dobrém stavu a zástrčka pevně zasunutá do zásuvky a vždy dbejte na to, aby byl kabel veden tak, že o něj nikdo nemůže zakopnout, a aby nemohla být vytažena zástrčka.
- Nevkládejte žádné předměty do vstupního/výstupního otvoru vzduchu klimatizačního zařízení. Dbejte na to, aby byl vstupní/výstupní otvor vzduchu klimatizačního zařízení volný.
- Pokud je nutné instalovat odtokovou hadici, dbejte na to, aby zapojení hadice bylo v dobrém stavu a bez ohybů.
- Při nastavování horizontálních/vertikálních lamel u otvoru pro výstup vzduchu lamely lehce otočte rukou, abyste zabránili jejich poškození.
- Zařízení přemísťujte ve vzpřímené poloze.
- Zařízení udržujte v dostatečné vzdálenosti od benzínu, hořlavých plynů, trouby či jiných zdrojů tepla.
- Zařízení nedemontujte, neprohližejte ani neupravujte, pokud k tomu nemáte oprávnění, protože by mohlo dojít k závadě zařízení a dokonce k tělesnému zranění a poškození majetku. Abyste těmto nebezpečným situacím předešli, nechte si zařízení v případě jeho poškození opravit u výrobce nebo příslušného odborníka.
- Toto klimatizační zařízení neinstalujte do koupelny nebo jiného vlhkého prostředí, ani je tam nepoužívejte.
- Nenechávejte děti, aby si se zařízením hrály. Je-li toto zařízení v provozu, děti a postižené osoby pečlivě hlídejte.
- Zařízení nevypínejte vytažením zástrčky.
- Na klimatizační zařízení nepokládejte předměty, jako jsou hrnky, aby nedošlo k rozlítí vody nebo jiných tekutin do zařízení.
- V blízkosti klimatizačního zařízení nepoužívejte pesticidy ve formě aerosolu ani jiné hořlavé látky.
- Neotírejte ani neumývejte zařízení chemickými rozpouštědly, jako je benzín či alkohol, atd. Před čištěním klimatizačního zařízení vždy vypněte napájení a zařízení otřete měkkým navlhčeným hadříkem. Pokud je zařízení opravdu velmi znečištěné, otřete je neutrálním čističem.
- Zařízení nepoužívejte, pokud jev režimu chlazení teplota okolního prostředí vyšší než 35°.
- Zařízení je nutno instalovat v souladu s vnitrostátními předpisy pro elektroinstalace.
- Toto zařízení směji používat osoby s omezenými tělesnými, smyslovými či mentálními schopnostmi nebo s nedostatkem zkušeností a znalostí, pokud jsou pod

dohledem nebo pokud byly poučeny o bezpečném použití tohoto zařízení a uvědomují si možná nebezpečí. Děti si nesmějí se zařízením hrát. Čištění a údržbu nesmějí provádět děti mladší 8 let a bez dozoru.

- Uchovávejte zařízení a jeho kabel mimo dosah dětí mladších 8 let.

SOUČÁSTI

1. Ovládací panel
2. Horizontální lamely
3. Vertikální lamely
4. Rám otvoru pro výstup vzduchu
5. Páka spojující vertikální lamely
6. Kolečka
7. Páka spojující horizontální lamely
8. Hlavní vertikální lamela
9. Přední kryt
10. Umístění rukojeti
11. Zadní kryt
12. Spona ve tvaru C pro odvodní hadici
13. Napájecí kabel
14. Spodek vzduchového kanálu
15. Sloupek k navinutí kabelu
16. Uzávěr výpustě
17. Mřížka filtru výparníku
18. Rám filtru výparníku
19. Jemná mřížka radiátoru
20. Mřížka filtru kondenzátoru
21. Rám filtru kondenzátoru
22. Sběrná nádoba (Pravá strana: oblast uložení dálkového ovládače)
23. Dálkový ovládač
24. Vnější konektor hadice pro odvod tepla
25. Konektor hadice pro odvod tepla
26. Jednotka těsnícího okenního panelu
27. Kulatý konektor



INSTALACE

- Upozornění: před prvním použitím nechejte zařízení alespoň 2 hodiny ve vzpřímené poloze.
- Toto klimatizační zařízení lze pohodlně přemísťovat. Při přemísťování nechejte klimatizační zařízení ve vzpřímené poloze. Zařízení je třeba položit na rovný povrch. Toto klimatizační zařízení neinstalujte do koupelny nebo jiného vlhkého prostředí, ani je tam nepoužívejte.

SESTAVENÍ

Hadice pro odvod tepla

- Vnější konektor odvodu tepla (Obr. 1A)
- Krátký konektor hadice pro odvod tepla (Obr. 2A)
- Vnější konektor odvodu tepla (Obr. 1)
- Vezměte dvě části vnějšího konektoru hadice pro odvod tepla. Tyto dvě části jsou stejné.
- V každé ruce podržte jednu část, vsadte spoj jedné části do drážky druhé a stiskněte je, až pevně zapadnou do sebe (Obr. 1A).
- Vezměte oba konektory hadice pro odvod tepla a přišroubujte je k hadici pro odvod tepla (Obr. 1 + 2A).

Instalace spony ve tvaru C hadice pro odvod tepla

Umístěte rotační otvor spony ve tvaru C na rotační hřídel v zadní části zařízení (jak je znázorněno na obr. 3).

Instalace hadice pro odvod tepla

- Jednou rukou zvedněte sponu ve tvaru C a druhou rukou vložte krátký konektor hadice pro odvod tepla do prohlubně v zadní části zařízení (jak je znázorněno na obr. 5).
- Hadici pevně zajistěte stlačením spony ve tvaru C dolů, až zaklapne (jak je znázorněno na obr. 5).

Instalace jednotky těsnicího okenního panelu

- Otevřete okno a namontujte na ně jednotku těsnicího okenního panelu, buď svisle, nebo vodorovně (jak je znázorněno na obr. 7 a 8).
- Roztáhněte součásti jednotky těsnicího okenního panelu, nastavte jejich vzdálenost tak, aby jeho oba konce byly v kontaktu s rámem okna, a připevněte součásti jednotky měděnými šrouby.

Instalace zařízení

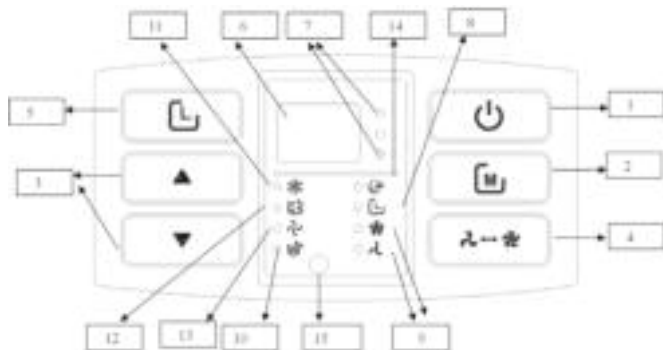
- Dbejte na to, aby bylo zařízení umístěno nejméně 50 cm od stěn či dalších předmětů. (Jak je znázorněno na obr. 9).
- Zaklapněte plochý konec hadice pro odvod tepla do eliptického otvoru jednotky těsnicího okenního panelu (jak je znázorněno na obr. 10 a 11).

Důležitá upozornění

- Odvodní hadice je dlouhá 280-1500 mm a tato délka je dána specifikacemi klimatizačního zařízení (s). Nepoužívejte prodlouženou hadici ani hadici nenahrazujte jinými hadicemi, mohlo by to ovlivnit funkčnost klimatizačního zařízení. Odvodní hadice musí být hladká, a pokud je zablokována, může se klimatizační zařízení přehřívat.
- Hadice pro odvod tepla nesmí být ohnutá a nesmí na ní být velké záhyby (větší než 45°), musí být náležitě ventilovaná.

NÁVOD K OBSLUZE OVLÁDACÍHO PANELU

- | | |
|--|---|
| 1. Tlačítko Zap/Vyp | 8. Ukazatel časovače |
| 2. Tlačítko Režimu | 9. Ukazatel vysoké/nízké intenzity |
| 3. Tlačítko Nahoru/Dolů | 10. Ukazatel maximálního stavu vody |
| 4. Tlačítko Ventilátoru | 11. Ukazatel chlazení |
| 5. Tlačítko Časovače | 12. Ukazatel odvlhčování |
| 6. Oblast displeje se dvěma 88 | 13. Ukazatel ventilátoru |
| 7. Ukazatel teploty ve stupních Celsia/
Fahrenheita | 14. Ukazatel režimu spánku |
| | 15. Umístění snímače dálkového ovládání |



NÁVOD K OBSLUZE:

- Když je zařízení poprvé zapnuto do zásuvky, ozve se pípnutí bzučáku, na displeji se zobrazí teplota okolního prostředí a rozsah teploty na displeji je 35—10 °C. Zařízení přejde do pohotovostního režimu.
- Stiskem tlačítka ZAP/VYP zařízení zapnete nebo vypnete. Zařízení přejde do režimu chlazení. Otáčky ventilátoru jsou vysoké a nastavená teplota je 23°C.
- Stiskem tlačítka režimu můžete přepínat mezi režimy chlazení, přívodu vzduchu a vysoušení. Při tom se vždy rozsvítí příslušný ukazatel.
- Režim chlazení: Stiskem tlačítka režimu zvolíte režim. V tomto režimu nastavte tlačítkem Nahoru/Dolů požadovanou teplotu. Teplotní rozpětí

je 17-30°C. Jedním stiskem tlačítka teplota stoupne nebo klesne o 1°C. Stiskem tlačítka ventilátoru zvolíte vhodnou rychlost ventilátoru. Současným stiskem tlačítka časovače a směrového tlačítka dolů zvolíte režim spánku. V tomto režimu se po 2 hodinách činnosti zařízení automaticky zvýší nastavená teplota o 1°C. Po dalších 2 hodinách činnosti se nastavená teplota znovu automaticky zvýší o 1°C. Poté se už teplota nastavení nezmění.

- V režimu vysoušení, pokud je teplota okolního prostředí vyšší než 17°C, se spustí kompresor. Pokud teplota okolního prostředí klesne pod 15°C, kompresor se vypne. Pokud teplota okolního prostředí stoupne nad 17°C, kompresor se spustí znovu.
- V režimu přívodu vzduchu běží jen motor ventilátoru.

Tlačítko ventilátoru

Ventilátor poběží v následujících režimech: v režimu chlazení (s výjimkou režimu spánku) a v režimu přívodu vzduchu: vysoké>nízké>vysoké (otáčky).

Tlačítko časovače

- Stiskem tlačítka časovače během činnosti zařízení zadáte dobu vypnutí.
- Stiskem tlačítka časovače během pohotovostního režimu zadáte dobu zapnutí. Mezitím bude ukazatel časovače svítit.
- Stiskem tlačítka časovače spustíte funkci časování (zapnutí/ vypnutí). Požadovanou dobu v hodinách nastavíte stiskem tlačítka nahoru nebo dolů.
- Po nastavení doby zapnutí a vypnutí ukazatel časovače zhasne a zobrazí se teplota okolního prostředí.

Tlačítko nahoru/dolů

- Stiskem tlačítka NAHORU nebo DOLŮ při zobrazení teploty okolního prostředí se teplota okolního prostředí změní na požadovanou teplotu (v režimu přívodu vzduchu a vysoušení jednotka na tuto operaci odpovídat nebude).
- V režimu chlazení je rozsah nastavení teploty 17-30 °C.
- Současným stiskem tlačítka NAHORU a DOLŮ přepínáte mezi stupni Fahrenheita a Celsia. Pokud jsou zobrazeny stupně Celsia, svítí ukazatel stupňů Celsia.

CS

VYPUŠTĚNÍ VODY

Manuální (Obr. 12)

- Jakmile se zařízení vypne z důvodu maximálního stavu vody, vypněte je a odpojte ze zásuvky.
- Do zadní části zařízení pod výpust' vody položte táč na vodu.
- Odmontujte uzávěr výpustě, vyjměte vodní zátka a voda vyteče.
- Při vypouštění nakloňte zařízení mírně dozadu.
- Pokud bude táč na vodu plný dříve, než se zařízení vyprázdní, co nejdříve utěsněte výpust' vody zátka, abyste zabránili rozliti vody na zem nebo koberec.
- Když je voda úplně vypuštěná, nasadte vodní zátka a pevně našroubujte uzávěr výpustě.
- Vodu zapněte teprve po důkladném nasazení vodní zátka a uzávěru. Jinak by kondenzát ze zařízení vytekl na zem nebo na koberec.

Průběžné vypouštění (Obr. 13 + 14)

- Odšroubujte uzávěr výpustě a do výpustě zasuňte 13mm odtokovou hadici z PVC do hloubky 8-10 mm.
- Odtokovou hadici připojte k toaletě nebo vyvedte ven.
- Při provozu v režimu vytápění zvolte průběžné vypouštění, jinak může zařízení vypnout z důvodu maximální hladiny vody.
- Odtokovou hadici dejte na nepřístupné místo ve výšce nepřesahující výpust' vody a dbejte na to, aby na ní nebyly ohyby.

Údržba a servis

Před prováděním údržby a servisu vypněte napájení zařízení a odpojte je ze zásuvky.

- Povrch zařízení vyčistěte měkkým navlhčeným hadříkem. Nepoužívejte chemická rozpouštědla, jako je alkohol nebo benzín, mohlo by dojít k poškození povrchu klimatizačního zařízení.
- Filtry čistěte každé dva týdny. Pokud jsou rám filtru a filtr zanesené prachem, funkce klimatizačního zařízení se může zhoršit.
- Opatrně vyjměte rám filtru ve směru znázorněném šipkou (jak je znázorněno na obr. 15 + 16).
- Filtry dejte vyčistit do teplé vody (asi 40 °C), do které jste přidali neutrální čisticí prostředek, a pak je nechte ve stínu uschnout.
- Než filtry nasadíte zpět do zařízení, přesvědčte se, zda jsou úplně suché.

ODSTRAŇOVÁNÍ ZÁVAD


Problém/indikace závady	Příčina	Opatření
Klimatizační zařízení nefunguje	<ul style="list-style-type: none"> • Chybí napájení • Svítí ukazatel max. stavu vody? • Příliš nízká teplota okolního prostředí? • Pokojová teplota je nižší než teplota nastavená teplota v režimu chlazení. 	<ul style="list-style-type: none"> • Připojte zařízení do zásuvky, která je pod napětím, a zapněte je. • Vypusťte vodu nahromaděnou v zařízení. • Doporučujeme toto zařízení používat při teplotách 10-35°C. • Změňte nastavenou teplotu.
Špatný účinek chlazení nebo vytápění	<ul style="list-style-type: none"> • Přímé sluneční světlo • Dveře a okna jsou otevřená, místnost je přelidněná nebo jsou v ní jiné tepelné zdroje v režimu chlazení • Mřížka filtru velmi znečištěná • Otvor pro přívod nebo odvod vzduchu je ucpaný 	<ul style="list-style-type: none"> • Zatáhněte závěsy. • Zavřete dveře a okna a přidejte další klimatizační zařízení. • Vyčistěte nebo vyměňte mřížku filtru • Odstraňte překážku
Velká hlučnost	<ul style="list-style-type: none"> • Klimatizační zařízení není postaveno na rovném povrchu 	<ul style="list-style-type: none"> • Postavte klimatizační zařízení na rovný a pevný povrch (může snížit hlučnost)
Kompresor nefunguje	<ul style="list-style-type: none"> • Spuštění ochrany proti přehřátí. 	<ul style="list-style-type: none"> • Počkejte 3 minuty, až se teplota sníží a pak zařízení zapněte
Dálkový ovladač nefunguje	<ul style="list-style-type: none"> • Příliš velká vzdálenost • Dálkový ovladač nemíří na čidlo dálkového ovládání. • V bateriích není elektrina. 	<ul style="list-style-type: none"> • Přemístěte dálkový ovladač do blízkosti klimatizačního zařízení a dbejte na to, aby mířil na čidlo dálkového ovládání. • Vyměňte baterie.
Displej E1	<ul style="list-style-type: none"> • Chyba snímače teploty potrubí 	<ul style="list-style-type: none"> • Zkontrolujte snímač teploty potrubí a příslušné obvody
Displej E2	<ul style="list-style-type: none"> • Chyba snímače pokojové teploty 	<ul style="list-style-type: none"> • Zkontrolujte snímač pokojové teploty a příslušné obvody
Displej E4	<ul style="list-style-type: none"> • Ochrana proti zamrznutí 	<ul style="list-style-type: none"> • Po rozmrazení se funkce automaticky obnoví.
Svítí ukazatel max. stavu vody	<ul style="list-style-type: none"> • Voda ve sběrné nádobě zařízení dosáhla maximální hladiny 	<ul style="list-style-type: none"> • Vypusťte vodu ze sběrné nádoby.

ZÁRUKA

- Záruka na tento výrobek je 24 měsíců. Záruka je platná, pokud je výrobek používán v souladu s návodem a k účelu, ke kterému je určen. Navíc je třeba předložit originální doklad o nákupu (fakturu, paragon nebo stvrzenku) s datem nákupu, názvem prodejce a výrobním číslem výrobku.
- Podrobné záruční podmínky naleznete na našich servisních stránkách: www.service.tristar.eu



ŽIVOTNÍ PROSTŘEDÍ

Tento spotřebič by se po ukončení životnosti neměl vyhazovat do  domovního odpadu, ale je třeba ho dopravit na centrální sběrné místo k recyklaci elektroniky a domácích elektrických spotřebičů. Tento symbol na přístroji, v návodu k obsluze a na obalovém materiálu vás na tento důležitý pokyn upozorňuje. Materiály použité na toto zařízení lze recyklovat. Recyklací použitých domácích spotřebičů významnou měrou přispíváte k ochraně našeho životního prostředí. Informace o sběrném místě získáte na místním obecním úřadě.

PODPORA

Všechny dostupné informace a náhradní díly naleznete na service.tristar.eu!

DÔLEŽITÉ BEZPEČNOSTNÉ POKYNY

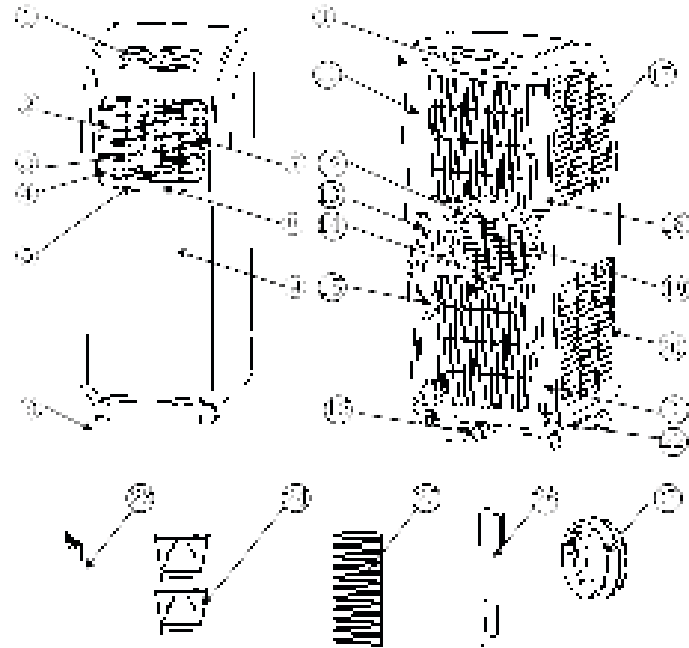
- Táto klimatizácia je vhodná len pre používanie v interiéroch, skôr ako na iné príležitosti.
- Menovitý prevádzkový rozsah: táto jednotka sa má pripojiť ku koncu výstupu zdroja energie 220-240 V / 50 Hz.
- Klimatizácia sa má nainštalovať v súlade s pravidlami zapojenia miestnej mriežky pre zabezpečenie správneho uzemnenia. Ak by ste mali nejaké otázky ohľadom elektrickej inštalácie, nasledujte Užívateľský manuál alebo si nechajte inštaláciu vykonať profesionálnym elektrikárom, kedykoľvek je to potrebné.
- Prosím, položte túto jednotku na rovné a suché miesto a udržiavajte ju aspoň 50 cm mimo okolitých objektov alebo stien.
- Keď sa klimatizácia nainštaluje, zabezpečte, aby bola zástrčka s káblom v dobrom stave a aby bola pevne vložená do zásuvky a vždy zabezpečte, aby bol napájací kábel usporiadaný, aby personál nemohol oň zakopnúť alebo aby sa zástrčka nemohla vytiahnuť.
- Nevkladajte žiadny predmet do vstupu/výstupu vzduchu klimatizácie. Buďte si istý, aby bol vstup/výstup vzduchu klimatizácie vždy odblokovaný.
- Kde je potrebné nainštalovať výtokové potrubie, zabezpečte, aby bolo pripojenie výtokového potrubia v dobrom stave bez ohybu.
- Pri nastavení horizontálnej/vertikálnej mriežky pri výstupe vzduchu ju jemne otočte rukou, aby sa zamedzilo poškodeniu mriežky.
- Jednotku udržiavajte vo vztýčenej polohe, keď ju presúvate.
- Túto jednotku udržiavajte mimo dosahu benzínu, horľavých plynov, rúry alebo tepelných zdrojov.
- Jednotku nerozmontujte, neprehliadajte ani neupravujte bez oprávnenia, keďže by to mohlo mať za následok chybu jednotky, a dokonca telesné poranenie a poškodenie majetku; aby sa zabránilo nebezpečenstvám, ak je jednotka chybná, zabezpečte, aby ju opravil výrobca alebo odborníci.
- Túto klimatizáciu neinštalujte ani neprevádzkujte v kúpeľni alebo iných mokrých prostrediach.
- Nedovoľte deťom hrať sa s týmto zariadením. Keď sa jednotka používa, vykonávajte dozor nad deťmi alebo postihnutými ľuďmi.
- Nevypínajte túto jednotku tak, že vyberiete zástrčku zo zásuvky.
- Neukladajte na jednotku také predmety ako poháre, aby ste zabránili vyliatiu vody alebo iných tekutín na klimatizáciu.
- Nepoužívajte v blízkosti klimatizácie sprej na hubenie škodcov alebo iné horľavé látky.
- Jednotku neutierajte ani neumývajte s chemickými rozpúšťadlami, ako sú benzín a alkoholy atď. Pred čistením klimatizácie zabezpečte, aby bolo napájanie vypnuté a utrite ho s mäkkou navlhčenou handričkou; ak je zariadenie skutočne veľmi znečistené, utrite ho s neutrálnym čističom.
- Neprevádzkujte jednotku, ak je okolitá teplota vyššia ako 35 °C v chladiacom režime.
- Zariadenie sa má nainštalovať v súlade s národnými nariadeniami pre pripojenie.
- Zariadenie môžu používať deti vo veku od 8 rokov a

staršie a osoby so zníženými fyzickými, duševnými alebo mentálnymi schopnosťami alebo s nedostatkom skúseností a vedomostí, ak sú pod dozorom alebo ak im boli poskytnuté pokyny ohľadom používania zariadenia bezpečným spôsobom a rozumejú zahrnutým rizikám. Deti sa nemajú hrať so zariadením. Čistenie a užívateľskú údržbu nemajú vykonávať deti, ak nie sú staršie ako 8 rokov a pod dozorom.

- Zariadenie a jeho kábel udržiavajte mimo dosahu detí mladších ako 8 rokov.

ČASTI

1. Ovládací panel
2. Horizontálna mriežka
3. Vertikálna mriežka
4. Rám výstupu vzduchu
5. Pripájacia páčka vertikálnej mriežky
6. Valček
7. Pripájacia páčka horizontálnej mriežky
8. Hlavná vertikálna mriežka
9. Predný kryt
10. Poloha rúčky
11. Zadný kryt
12. Spona v tvare písmena C výstupu tepla
13. Napájací kábel
14. Tlačidlo dolného chladiaceho kanálu
15. Stĺpik na vinutie kábla
16. Viečko výpustu
17. Sieťka filtra odparovača
18. Rám filtra odparovača
19. Vyzarovacia jemná sieťka
20. Sieťka filtra kondenzátora
21. Rám filtra kondenzátora
22. Doska základne (pravá strana: oblasť pre uloženie diaľkového ovládača)
23. Diaľkový ovládač
24. Vonkajší konektor hadice na odvod teplého vzduchu
25. Úchytka hadice na odvod teplého vzduchu
26. Súprava tesniacej dosky okna
27. Okrúhly konektor



INŠTALÁCIA

- Upozornenie: nechajte túto prenosnú klimatizáciu vo vztýčenej polohe aspoň 2 hodiny pred prvým použitím.
- Táto klimatizácia sa môže pohodlne presúvať v interiéri; nechajte klimatizáciu vo vztýčenej polohe, keď ju presúvate. Klimatizácia sa má položiť na rovný podkladový povrch. Neinštalujte ani neprevádzkujte túto klimatizáciu v kúpeľni alebo iných mokrých prostrediach.

MONTÁŽ

Hadica odvodu teplého vzduchu

- Vonkajší konektor odvodu teplého vzduchu (Obrázok 1A)
- Krátky konektor hadice odvodu teplého vzduchu (Obrázok 2A)
- Vonkajší konektor odvodu teplého vzduchu (Obrázok 1)
- Vyberte dva kusy vonkajšieho konektoru hadice odvodu teplého vzduchu, tieto dva kusy sú konštrukciou rovnaké.
- Podržte jeden kus v každej ruke, položte spoj jedného kusa smerom k drážke druhého kusa, a stlačte ich, aby sa natesno cvakli (Obrázok 1A).
- Vyberte obidva konektory hadice odvodu teplého vzduchu, priskrutkujte obidva konektory do hadice odvodu teplého vzduchu (Obrázok 1 + 2A).

Inštalácia spony v tvare písmena C hadice odvodu teplého vzduchu

Umiestnite otočný otvor spony v tvare C nad rotačný hriadeľ na zadnej strane jednotky (ako je to zobrazené na Obrázku 3).

Inštalácia hadice odvodu teplého vzduchu

- Nadvihnite sponu v tvare C jednou rukou a položte druhou rukou krátky konektor hadice odvodu teplého vzduchu do preliačiny na zadnej strane jednotky. (ako je to zobrazené na Obrázku 5).
- Uzamknite pevne hadicu odvodu teplého vzduchu zatlačením spony v tvare C smerom dolu, pokým neklikne. (ako je to zobrazené na Obrázku 5).

Inštalácia súpravy tesniacej dosky okna

- Otvorte okno a namontujte súpravu tesniacej dosky na okno, buď vertikálne alebo horizontálne (ako je to zobrazené na Obrázku 7 a 8).
- Odtiahnite časti súpravy tesniacej dosky okna, upravte vzdialenosť súpravy tak, aby dva konce súpravy prišli do kontaktu s rámom okna, upevnite časti súpravy s medenými skrutkami.

Inštalácia jednotky

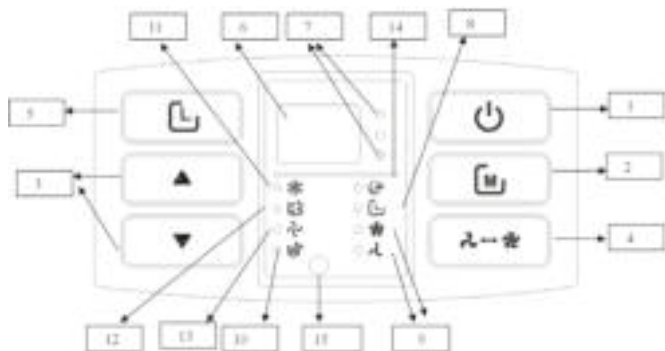
- Zabezpečte, aby bola jednotka umiestnená aspoň 50 cm od stien alebo iných predmetov. (Ako je to zobrazené na Obrázku 9).
- Zacvaknite rovný koniec hadice odvodu teplého vzduchu do elipsovitého otvoru súpravy tesniacej dosky okna (ako je to zobrazené na Obrázku 10 a 11).

Dôležité poznámky

- Hadica odvodu teplého vzduchu je 280 mm – 1 500 mm dlhá a táto dĺžka je určená na základe špecifikácie klimatizácie (i). Nepoužívajte predĺženú hadicu, ani ju nenahradzujte inými hadicami, pretože to môže ovplyvniť funkcie klimatizácie. Odvod musí byť hladký a klimatizácia sa môže prehriať, ak je odvod zablokovaný.
- Hadica odvodu teplého vzduchu nesmie byť ohnutá a má byť bez značného (väčší ako 45 °) ohybu, hadica odvodu teplého vzduchu má byť správne vetraná.

PREVÁDZKOVÉ POKYNY PRE OVLÁDACÍ PANEL

- | | |
|---|--|
| 1. Tlačidlo zapnutia/vypnutia | 9. Ukazovateľ vysokého/nízkeho |
| 2. Tlačidlo režimu | 10. Ukazovateľ plnej vody |
| 3. Tlačidlo hore/dolu | 11. Ukazovateľ chladu |
| 4. Tlačidlo ventilátora | 12. Ukazovateľ odvlhčovania |
| 5. Tlačidlo časovača | 13. Ukazovateľ ventilátora |
| 6. Oblasť zobrazenia dvojitej 88 | 14. Ukazovateľ spánkového režimu |
| 7. Ukazovateľ stupňov Celzia/ Fahrenheita | 15. Snímač umiestnenia diaľkového ovládača |
| 8. Ukazovateľ časovača | |



POKYNY NA PREVÁDZKU:

- Keď sa má jednotka prvý krát zapojiť, pípne bzučiak, displej ukáže okolitú teplotu a rozsah teploty na displeji je 10—35 °C. Jednotka prejde do pohotovostného režimu.
- Stlačte tlačidlo zapnutia vypnutia pre spustenie alebo vypnutie jednotky. Jednotka prejde do chladiaceho režimu. Rýchlosť ventilátora je vysoká a nastavená teplota je 23°C.
- Stlačte tlačidlo režimu pre prepínanie medzi chladením, režimami dodávania a sušenia vzduchu. Medzitým sa rozsvietia príslušné indikátory.
- Chladiaci režim: Stlačte Tlačidlo režimu, aby ste si zvolili tento režim. V tomto režime stlačte Tlačidlo hore/dolu pre nastavenie želanéj teploty.

Teplotný rozsah je 17-30°C. Jedno stlačenie spôsobí nárast alebo pokles teploty o 1 °C. Stlačte Tlačidlo ventilátora, aby ste zvolili vhodnú rýchlosť ventilátora. Stlačte spolu Tlačidlo časovača + Tlačidlo dolu a zvolte Spánkový režim. Pod týmto režimom, potom ako sa jednotka prevádzkuje po dobu 2 hodín, nastavená teplota stúpne automaticky o 1 °C. Po prevádzke po dobu ďalších 2 hodín nastavená teplota stúpne znovu o 1 °C. Potom sa nastavenie teploty nezmení.

- V suchom režime, ak je okolitá teplota vyššia ako 17 °C, spustí sa kompresor. Keď sa okolitá teplota dostane pod 15 °C, kompresor sa vypne. Keď okolitá teplota vystúpi nad 17 °C, kompresor sa znovu spustí.
- V režime dodávania vzduchu funguje len motor ventilátora.

Tlačidlo ventilátora

Ventilátor sa bude prevádzkovať nasledujúcimi spôsobmi v chladiacom režime (okrem spánkového režimu) a režime dodávania vzduchu: vysoký>nízky>vysoký.

Tlačidlo časovača

- Počas prevádzky stlačte Tlačidlo časovača pre zadanie času vypnutia.
- Počas pohotovosti stlačte Tlačidlo časovača pre zadanie času spustenia. Medzitým sa rozsvieti indikátor času.
- Stlačte Tlačidlo časovača pre zadanie funkcie časovania (spustenie/vypnutie). Použite tlačidlo hore alebo dolu pre nastavenie želaného času v hodinách.
- Po nastavení času spustenia alebo vypnutia zhasne indikátor časovača a zobrazí sa okolitá teplota.

Tlačidlo hore/dolu

- Stlačte tlačidlo hore alebo dolu, keď sa zobrazuje okolitá teplota, okolitá teplota sa zmení na želanú teplotu (jednotka nebude odpovedať na túto prevádzku v režime dodávania vzduchu a suchom režime).
- V chladiacom režime je rozsah nastavenia teploty 17-30°C.
- Stláčajte tlačidlo hore a dolu súčasne pre prepínanie medzi stupňom Celzia a Fahrenheita. Keď sa zobrazí stupeň Celzia, rozsvietí sa indikátor stupňa Celzia.

ODVOD VODY

Manuálne (Obrázok 12)

- Keď sa už jednotka vypne pri plnej vode, jednotku vypnite a odpojte napájaci kábel.
- Položte vaničku na vodu pod výpusť vody na zadnej strane jednotky.
- Odskrutkujte viečko výpustu, vypojte zátku vody a voda vytečie.
- Pri vypúšťaní jednotku jemne nakloňte smerom dozadu.
- Ak je vanička na vodu plná predtým, ako sa jednotka vyprázdni, zablokujte výpusť vody so zátkou vody hneď, ako je to možné, aby ste zabránili vytekaniu vody na zem alebo koberec.
- Keď je už voda celkom vypustená, vložte zátku vody a tesne priskrutkujte viečko vody.
- Jednotku zapnite, len ak sú zátky vody a viečko výpustu správne nainštalované; inak kondenzát jednotky vytečie na zem alebo koberec.

Súvislý výpusť (Obrázok 13 + 14)

- Odskrutkujte viečko vody a vložte 13 mm PVC hadicu odvádzajúcu vodu 8 mm – 10 mm do vývodu vody.
- Pripojte hadicu odvádzajúcu vodu k toalete alebo smerom do exteriéru.
- Pri prevádzke v režime zohrievania zvolte súvislý výpusť; inak sa jednotka môže vypnúť kvôli plnej vode.
- Položte hadicu odvádzajúcu vodu na neprístupné miesto vo výške, ktorá nie je nad vývodom vody a udržujte ju bez ohybu.

Údržba a servis

- Pred údržbou a servisom jednotku vypnite napájanie a vypojte zástrčku.
- Povrch jednotky vyčistíte s mokrou mäkkou handričkou. Nepoužívajte chemické rozpúšťadlá ako alkohol a benzín; inak sa povrch klimatizácie môže poškodiť.
 - Filtre čistíte raz za dva týždne. Ak sú rám filtra a filter zanesené s prachom, funkcia klimatizácie sa môže znížiť
 - Jemne vyberte rám filtra v smere, ktorý ukazuje šípka (ako je to zobrazené na Obrázku 15 + 16).
 - Filtre vložte do teplej vody (okolo 40 °C), do ktorej sa pridá neutrálny čistiaci prostriedok na čistenie a potom ich vysušte v tieni.
 - Uistite sa, či sú filtre úplne suché, predtým ako ich vložíte naspäť do jednotky.

RIEŠENIE PROBLÉMOV

Problém/ určenie chyby	Príčina	Riešenie
Klimatizácia nefunguje	<ul style="list-style-type: none"> • Žiadna energia • Rozsvieti sa indikátor plnej vody? • Okolité teplota je príliš nízka ? • Teplota v miestnosti je nižšia ako nastavená teplota v chladiacom režime. 	<ul style="list-style-type: none"> • Jednotku pripojte k zásuvke pod prúdom a zapnite ju. • Vypustite vodu uskladnenú v jednotke. • Odporúča sa, aby sa táto jednotka prevádzkovala pri 10-35 °C. • Zmeňte nastavenú teplotu
Zlé chladiace alebo vyhrievacie účinky	<ul style="list-style-type: none"> • Nie je priame slnečné svetlo • Dvere a okná sú otvorené, miestnosť je preplnená alebo tam sú iné tepelné zdroje v chladiacom režime • Sieťka filtra je veľmi znečistená • Prívod alebo vývod vzduchu je zanesený 	<ul style="list-style-type: none"> • Vytiahnite záclonu. • Zatvorte dvere a okno a pridajte nové klimatizácie • Vyčistite alebo vymeňte sieťku filtra • Odstráňte prekážku
Veľký hluk	<ul style="list-style-type: none"> • Klimatizácia nie je položená na rovnom povrchu 	<ul style="list-style-type: none"> • Položte klimatizáciu na rovné a pevné miesto (môže to znížiť hluk)
Kompresor nefunguje	<ul style="list-style-type: none"> • Spustenie ochrany proti prehriatiu 	<ul style="list-style-type: none"> • Počkajte 3 minúty, pokým sa zníži teplota a potom jednotku zapnite
Dialkový ovládač nefunguje	<ul style="list-style-type: none"> • Príliš dlhá vzdialenosť • Dialkový ovládač neukazuje smerom k prijímacej hlave diaľkového ovládania • Batérie nemajú elektrinu 	<ul style="list-style-type: none"> • Prineste diaľkový ovládač bližšie ku klimatizácii a zabezpečte, aby smeroval k prijímacej hlave diaľkového ovládania. • Vymeňte batérie
Displej E1	<ul style="list-style-type: none"> • Porucha snímača teploty potrubia 	<ul style="list-style-type: none"> • Skontrolujte snímač teploty potrubia a príslušné obvody
Displej E2	<ul style="list-style-type: none"> • Porucha snímača teploty miestnosti 	<ul style="list-style-type: none"> • Skontrolujte snímač teploty miestnosti a príslušné obvody
Displej E4	<ul style="list-style-type: none"> • Ochrana proti zamrznutiu 	<ul style="list-style-type: none"> • Funkcie sa po rozmrazení automaticky obnovia.
Rozsvieti sa indikátor plnej vody	<ul style="list-style-type: none"> • Voda v základnej doske jednotky dosahuje plnú úroveň vody 	<ul style="list-style-type: none"> • Vypustite vodu zo základnej dosky.

ZÁRUKA

- Tento výrobok má udelenú záruku 24 mesiacov. Vaša záruka je platná, ak sa výrobok používa v súlade s pokynmi a na účel, pre ktorý bol vytvorený. Okrem toho sa má predložiť pôvodná kúpa (faktúra, účtenka alebo účet) s dátumom zakúpenia, názvom maloobchodníka a číslom položky výrobku.
- Pre detailné podmienky záruky si, prosím, pozrite našu servisnú webovú stránku: www.service.tristar.eu



ŽIVOTNÉ PROSTREDIE

Toto zariadenie by sa nemalo vyhadzovať s domovým odpadom na konci svojej životnosti, ale sa musí ponúknuť na centrálnom mieste pre recykláciu elektrických a elektronických domácich spotrebičov. Tento symbol na zariadení, manuáli s pokynmi a balení smeruje vašu pozornosť na túto dôležitú vec. Materiály použité v tomto zariadení sa môžu recyklovať. Recyklovaním použitých domácich spotrebičov prispievate dôležitou mierou k ochrane nášho životného prostredia. Požiadajte vaše miestne úrady o informácie týkajúce sa miesta opätovného zberu.

PODPORA

Všetky dostupné informácie a náhradné diely pre servis môžete nájsť na service.tristar.eu!



Quality shouldn't be a luxury!



service.tristar.eu

Tristar Europe B.V. | Jules Verneweg 87 | 5015 BH Tilburg | The Netherlands