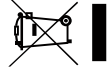


# VIOMI

Viomi Robot Vacuum Cleaner SE

RoHS

CE



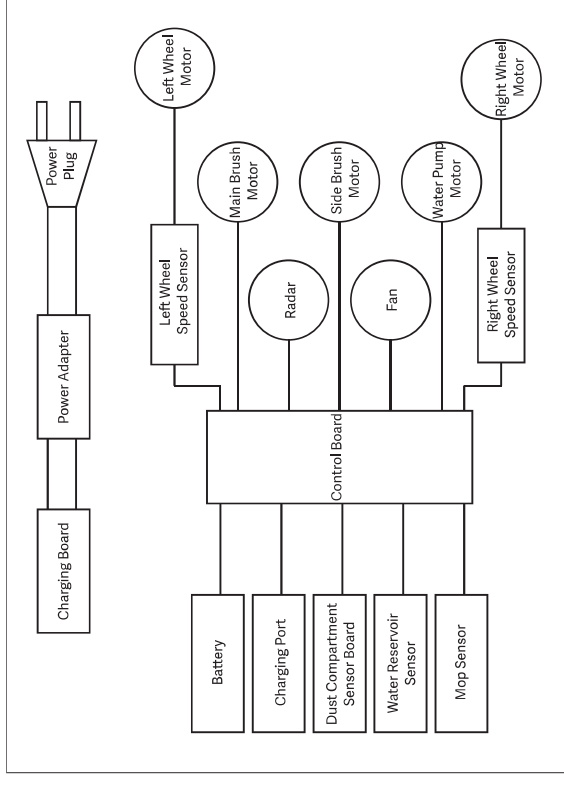


# Safety Information

## Usage Restrictions

- This appliance is not intended for use by persons (including children) with reduced physical, sensory or mental capabilities, or lack of experience and knowledge, unless they have been given supervision or instruction concerning use of the appliance by a person responsible for their safety.
  - Children should be supervised to ensure that they do not play with the appliance.
  - Cleaning and user maintenance shall not be made by children without supervision (EU).
  - Please keep the main brush cleaning tools out of reach of children.
  - Keep hair, loose clothing, fingers, and all parts of body away from openings and moving parts.
  - Do not use the vacuum-mop to clean any burning substances.
  - Do not pick up the vacuum-mop by its laser radar cover.
  - Make sure the vacuum-mop is turned off and the charging dock is unplugged before cleaning or performing maintenance.
  - This vacuum-mop is only intended to clean floors in a home environment. Please do not use it outdoors such as on an open balcony or on a surface that is not a floor like a sofa, or in a commercial or industrial setting.
  - Do not use the vacuum-mop in an area suspended above ground level, such as a loft, open balcony, or on top of furniture, unless a protective barrier is present.
  - Do not use the vacuum-mop at an ambient temperature above 40°C or below 0°C or on a floor with liquids or sticky substances.
  - Pick up any cables from the floor before using the vacuum-mop to prevent it from dragging them while cleaning.
  - Pick up any fragile or loose items from the floor, such as vases or plastic bags, to prevent the vacuum-mop from being obstructed or bumping into them and causing damage.
  - Do not place children, pets, or any item on top of the vacuum-mop while it is stationary or moving.
  - Do not use the vacuum-mop to clean the carpet.
  - Do not allow the vacuum-mop to pick up hard or sharp objects such as building materials, glass, or nails.
- Do not spray any liquid into the vacuum-mop (make sure the dust compartment is thoroughly dry before its reinstalling).
  - Do not place the vacuum-mop upside down (laser radar housing should never touch the ground).
  - Only use this product as directed in the user manual or quick start guide. Users are responsible for any loss or damage arising from improper use of this product.

## Electrical Diagram



### Batteries and Charging

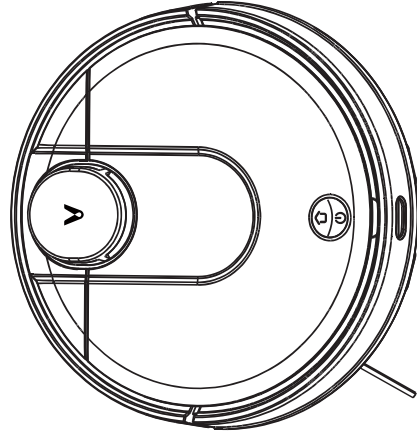
- Do not use any third-party battery, charger, or charging dock. Use only with <NLD120200W1U4> supply unit.
- The appliance must be disconnected from the supply mains when removing the battery.
- This appliance contains batteries that are only replaceable by skilled persons.
- Do not place the charging dock near a heat source, such as a radiator.
- Do not wipe any part of the vacuum-mop with a wet cloth or other liquid.
- If the supply cord is damaged, it must be replaced by the manufacturer, its service agent or qualified persons in order to avoid a hazard.
- Do not improperly dispose of old batteries. Before discarding the vacuum-mop, make sure the vacuum-mop is unplugged and the battery must be removed and disposed of in an environmentally safe manner.
- Make sure the vacuum-mop is turned off when being transported and kept in its original packaging if possible.
- If the vacuum-mop will not be used for an extended period, fully charge it, then turn it off and store it in a cool, dry place. Recharge the vacuum-mop at least once a month to prevent battery damage.

This product's laser radar meets the IEC 60825-1:2014 Standard for Class 1 laser product safety and does not produce laser radiation hazardous to the human body.



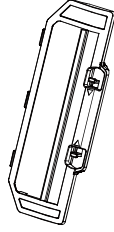
# Product Overview

## Product & Accessories List



Viomi SE

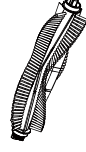
### Vacuum-Mop Accessories



Main Brush Guard

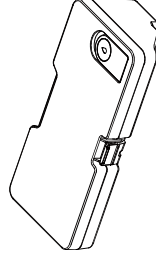


Cleaning Brush

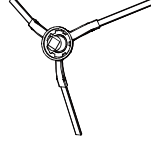


Main Brush

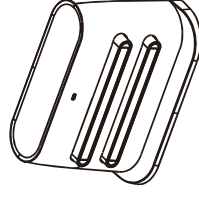
### Accessory Box Contents



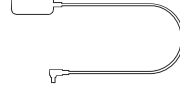
2-in-1 Dust Compartment with Water Reservoir (for vacuuming and mopping modes)



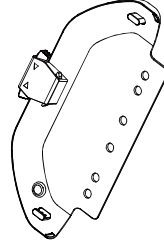
Side Brush (\*2)



Charging Dock



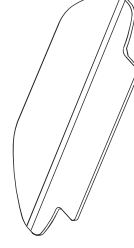
Power Adapter



Mop Holder

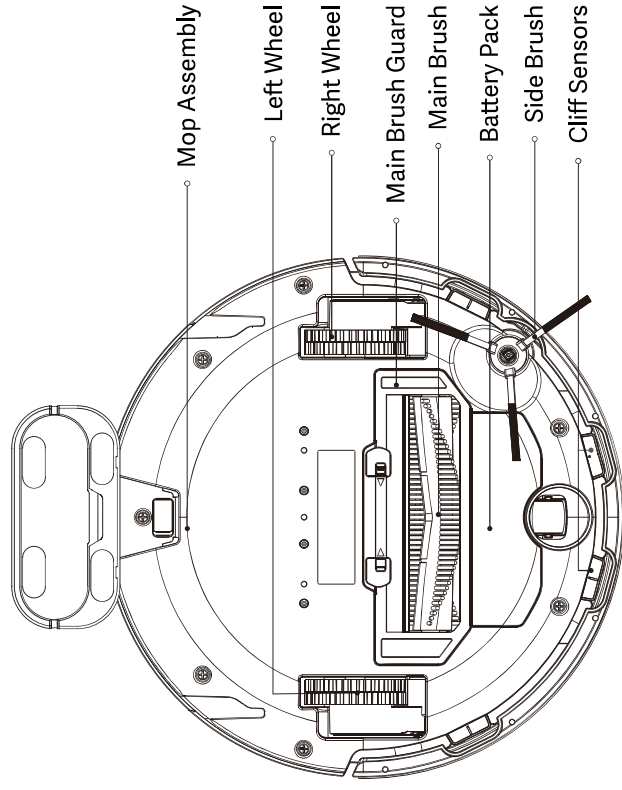
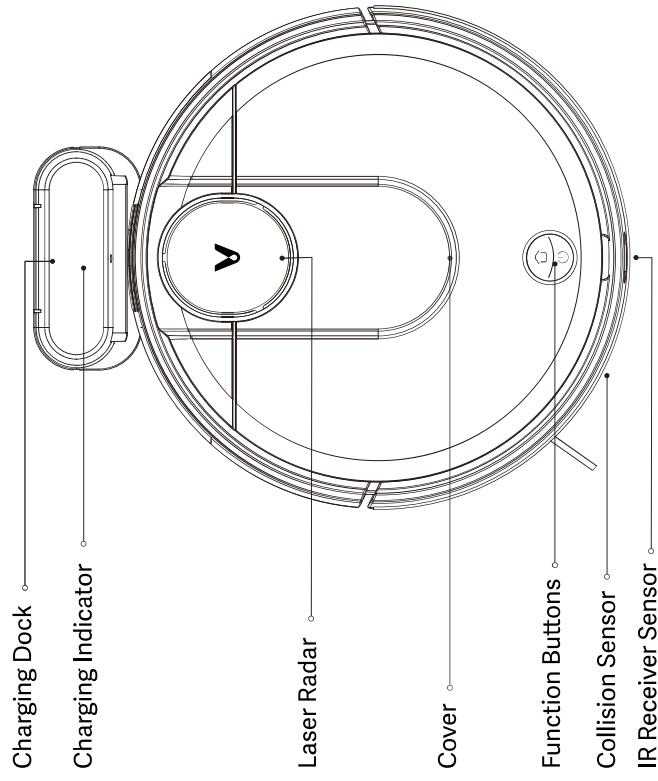


Wet Mop



Moist Mop

Note: Illustrations of product, accessories, and user interface in the user manual are for reference purposes only. Actual product and functions may vary due to product enhancements.



## Dock

Press to send vacuum-mop back to charging dock.

## Power/Cleanup Button

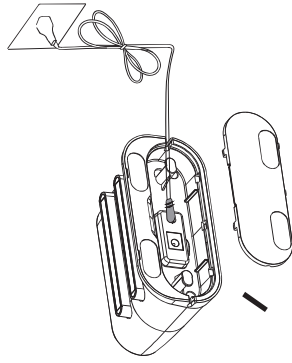
Press to start or pause cleaning.  
Press and hold for 3 seconds to turn the vacuum-mop on or off.

## Indicator Status

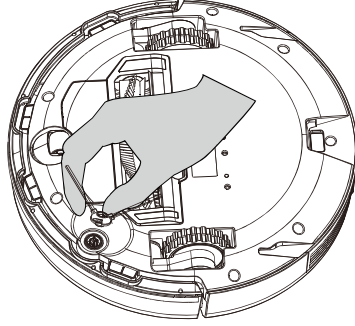
Slowly blinking yellow	Returning to dock to charge/Low battery	Blinking blue	Wi-Fi not connected
Breathing yellow	Charging	Slowly blinking blue	Waiting for the network configuration
Blinking red	Error	Breathing blue	Tuning on/Updating firmware
Blue	Turned on/Working normally/Fully charged/Wi-Fi Connected		

## Installation

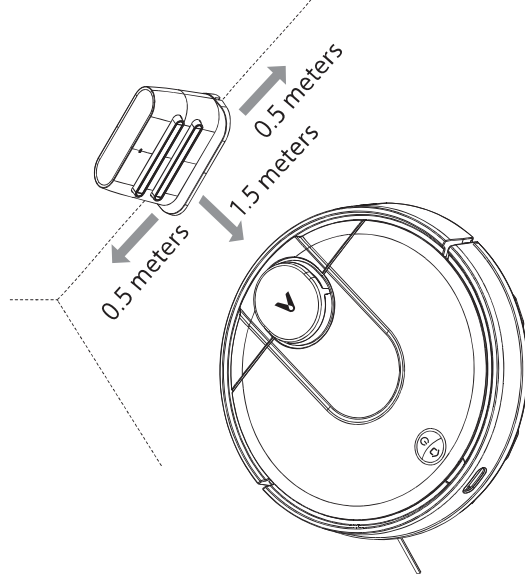
1. Connect the charging dock to the power outlet.





2. Install the side brush on the upper-left corner of the vacuum-mop, as shown in the figure. An extra side brush in the package is provided as a spare and does not need to be installed.



3. Place the charging dock on a level ground against a wall.

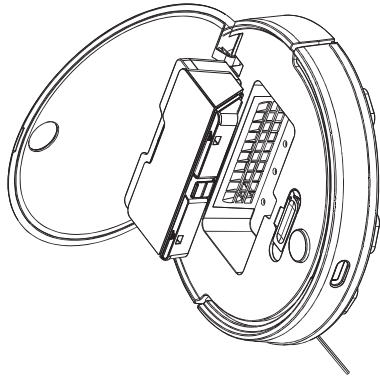


4. When using the vacuum-mop for the first time, press and hold the button  for 3 seconds to turn on the vacuum-mop. Once the indicator lights up, manually place the vacuum-mop onto the charging dock to charge. Then just press the button  when the vacuum-mop is cleaning, it will automatically go to the charging dock to recharge.

Blue: Turned on/Working normally/Fully charged/Wi-Fi Connected  
Breathing yellow: Charging  
Blinking red: Error

## Installing Accessories for Desired Mode

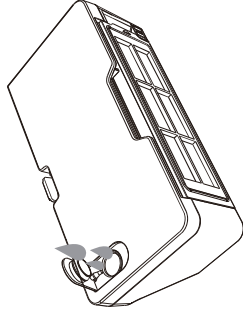
**Cleanup mode: Install 2-in-1 dust compartment with water reservoir.**



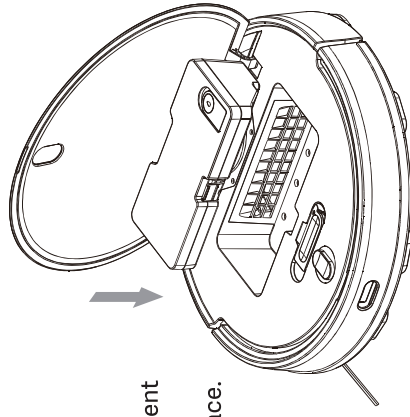
1. Open the cover of the vacuum-mop and place 2-in-1 dust compartment with water reservoir in the direction shown until it locks into place.

2. Turn on the vacuum-mop. It is now ready to start cleaning.

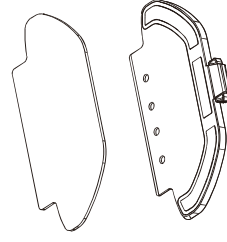
**Vacuuming and mopping mode: Install 2-in-1 dust compartment with water reservoir, mop holder, and mop.**



1. Open the water reservoir lid, fill up the reservoir, then reattach the lid.

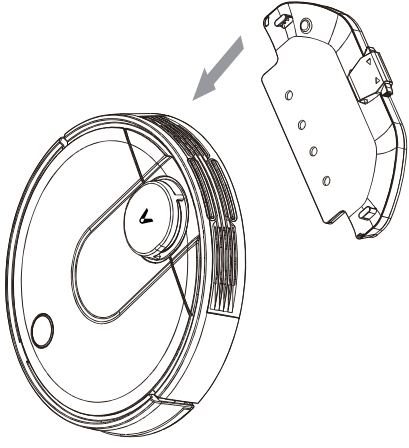


2. Install the 2-in-1 dust compartment with water reservoir into the vacuum-mop until it locks into place.



3. Attach the mop to the holder and press the velcro strips firmly together.

4. Pinch the clips, install the mop holder horizontally into the bottom of the vacuum-mop, as illustrated.





5. Turn on the vacuum-mop. It is now ready to start vacuuming and mopping.

### Precautions:

1. Do not place the charging dock in an area with direct sunlight.
2. Make sure there are 0.5 meters or more of open space on either side of the charging dock and more than 1.5 meters in front.
3. If the vacuum-mop is unable to turn on due to low battery, place it directly onto the charging dock to recharge.
4. The vacuum-mop will automatically turn on when it is on the charging dock.
5. The vacuum-mop cannot be turned off when it is on the charging dock.
6. Remove 2-in-1 dust compartment with water reservoir and mop holder when the vacuum-mop is charging or not in use.
7. Use the virtual wall or set restricted areas for carpeted areas to prevent the vacuum-mop from getting caught on the carpet.
8. Regularly clean the 2-in-1 dust compartment to prevent excess dirt accumulation. This can avoid reducing the cleaning performance of the vacuum-mop.

## How to Use


### Turning On/Off

When the vacuum-mop is on the charging dock, it will automatically turn on and cannot be turned off. To manually turn on the vacuum-mop, press and hold the button  until the indicator lights up. When the vacuum-mop is in standby mode and not on the charging dock, press and hold the button  to turn it off.

### Cleaning

Turn the vacuum-mop on, then press the button . Depending on the accessory installed, the vacuum-mop will automatically begin vacuuming or mopping.

### Recharging

Turn the vacuum-mop on, then press the button  to send the vacuum-mop to the dock to recharge. When the vacuum-mop completes the cleaning task, it will automatically return to the dock for recharging, and the indicator is blinking yellow. If the vacuum-mop starts running low battery during a cleaning task, it will automatically return to the charging dock to recharge. Once the vacuum-mop is fully charged, it will resume cleanup where it left off. If the vacuum-mop automatically shuts down due to low battery, manually place it onto the charging dock, and make sure the charging terminals have a good contact.

### Pausing

While the vacuum-mop is running, press any button to pause it, then press the button  to resume cleaning. Pressing the button  will end the current cleaning task and send the vacuum-mop back to the charging dock.

### Sleep Mode

The vacuum-mop will automatically enter sleep mode after 5 minutes of inactivity. To wake it up, press any button or use the app.

- The vacuum-mop will not enter sleep mode while on the charging dock.
- The vacuum-mop will automatically turn off after being in sleep mode for 12 hours.

### Fault Status

If the vacuum-mop encounters an error during operation, the indicator will blink red and you will hear a voice alert. To check for a solution, please refer to the Troubleshooting section.

If no action is taken within 5 minutes, the vacuum-mop will automatically enter sleep mode.

### Adding Water or Cleaning Mop During Cleaning

If you need to add more water to the vacuum-mop or clean the mop during a cleaning task, press any button to pause the vacuum-mop, then remove the water reservoir. After adding water or cleaning the mop, reinstall the water reservoir and mop, then press the button  to resume the cleaning task.

## Cleaning Preferences

Four suction modes are available in the Mi Home/Xiaomi Home app: Silent, Standard, Medium, and Turbo. The default mode is Standard.

## Do Not Disturb Mode

In the Do Not Disturb mode, the vacuum-mop will not resume cleanup, perform scheduled cleanup, or issue voice alerts. Do Not Disturb Mode is enabled by default and can be disabled via the app.

## Resuming Cleanup

The vacuum-mop has a feature of resuming cleanup. If the vacuum-mop starts running low battery during a cleaning task, it will automatically return to the charging dock to recharge. Once the vacuum-mop is fully charged, it will resume cleanup where it left off. If the cleaning task is manually ended while the vacuum-mop is charging, cleanup will not be resumed.

## Zoned Area

You can use the app to set up the zoned area, then the vacuum-mop will clean up within the zoned area you selected.

## Clean There

You can set a specified area on the map via the app, then the vacuum-mop will automatically navigate to the area and clean a square-shaped area of 2 × 2 meters.

## Scheduled Cleanup

You can schedule cleaning times in the app. The vacuum-mop will automatically start cleaning at the scheduled times, then return to the charging dock after the cleaning is completed.

Note: The vacuum-mop will not do the scheduled cleanup during the Do Not Disturb period if Do Not Disturb mode is enabled.

## Virtual Walls/Restricted Areas

You can set up virtual walls and restricted areas in the app to prevent the vacuum-mop from entering areas you wish not to clean.

## Smart Mapping

You can use the app to enable smart mapping. This allows the vacuum-mop to automatically update its map after completing a cleaning task and recharging.

## Connect with Mi Home/Xiaomi Home App

This product works with Mi Home/Xiaomi Home app<sup>\*</sup>. Control your device, and interact it and other smart home devices with Mi Home/Xiaomi Home app.





Scan the QR code to download and install the app. You will be directed to the connection setup page if the app is installed already. Or search "Mi Home/Xiaomi Home" in the app Store to download and install it.

Open Mi Home/Xiaomi Home app, tap "+" on the upper right, and then follow prompts to add your device.

<sup>\*</sup> The app is referred to as Xiaomi Home app in Europe (except for Russia). The name of the app displayed on your device should be taken as the default.  
Note:

The version of the app might have been updated, please follow the instructions based on the current app version.

### Resetting Wi-Fi

When switching to a new router or changing your Wi-Fi password, you will need to reset the vacuum-mop's Wi-Fi connection. Turn on the vacuum-mop, then simultaneously press and hold the buttons  and  for 3 seconds until you hear a voice saying "Waiting for the network configuration". Once the Wi-Fi connection is successfully reset, you can reconnect the vacuum-mop.

Note: Only 2.4 GHz Wi-Fi networks are supported.

### Restoring Factory Settings

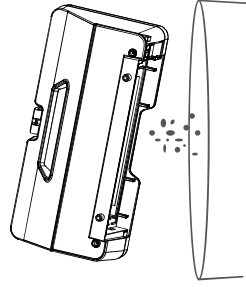
Press and hold the button  for 5 seconds. When you hear a voice saying "Factory settings will be restored", press and hold the button  again for 5 seconds until it says "Restoring factory settings". When the settings are successfully restored, all user data will be cleared, and you will hear a voice saying "Factory settings restored successfully".



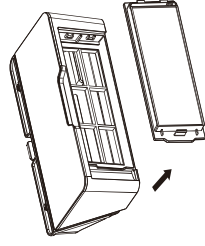
# Care & Maintenance

## 2-in-1 Dust Compartment with Water Reservoir

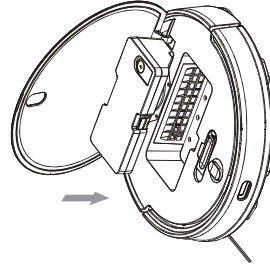
1. Open the cover of vacuum-mop, remove the 2-in-1 dust compartment with water reservoir, then remove the filter as shown in the figure.



2. Empty the contents of the dust compartment. Clean the compartment using the cleaning brush, then align and reinstall the filter.

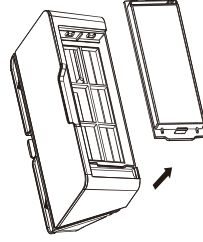


3. Reinstall the 2-in-1 dust compartment with water reservoir into the vacuum-mop until it clicks into place, then close the cover of the vacuum-mop.



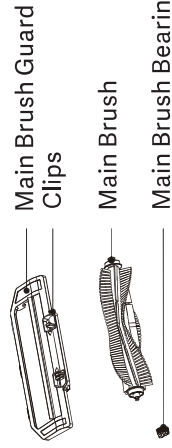
## Filter

To clean the filter in 2-in-1 dust compartment with water reservoir, remove it as indicated in the diagram.

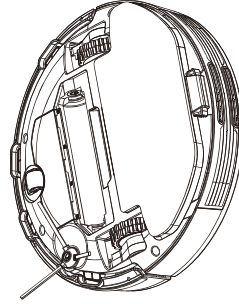


- After rinsing the filter with water, make sure it is thoroughly dry when reinstalling the filter into 2-in-1 dust compartment with water reservoir.
- To prevent the filter from becoming clogged, it is recommended to regularly clean the filter using the cleaning brush.
- It is recommended to replace the filter every 3 to 6 months.

## Main Brush



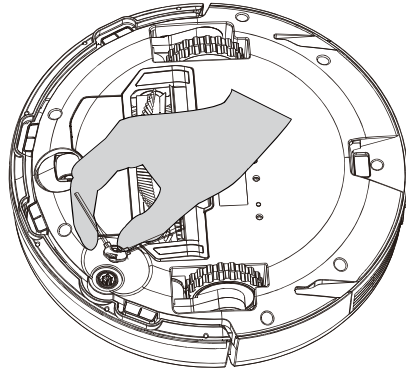
1. Flip the vacuum-mop over and pinch the clips to remove the main brush guard.
2. Remove the main brush and the main brush bearing.
3. Use the cleaning brush to clean the main brush.
4. Reinstall the main brush and its bearing, then put back and press down the main brush guard until it locks into place.



Note: It is recommended to replace the main brush every 6–12 months for optimal cleaning effectiveness.

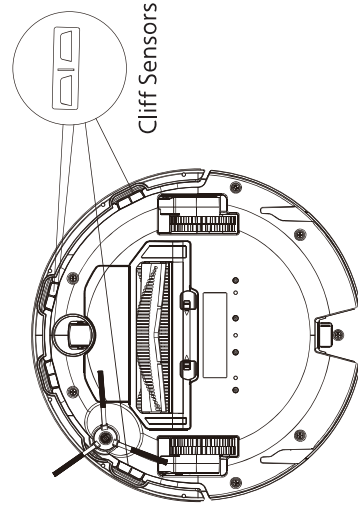
## Side Brush

Periodically remove and clean the side brush. It is recommended to replace the side brush every 3–6 months for optimal cleaning effectiveness.



## Cliff Sensors

Clean the cliff sensors every three months using a soft cloth.



## FAQ

Fault	Possible Causes	Fault	Possible Causes
Vacuum-mop does not turn on	<ol style="list-style-type: none"><li>1. The battery level is low. Recharge the vacuum-mop, then try again.</li><li>2. The ambient temperature is too low (below 0°C) or too high (above 40°C).</li></ol>	Vacuum-mop does not resume cleanup	<ol style="list-style-type: none"><li>1. Make sure the vacuum-mop is not in Do Not Disturb mode, which will prevent it from resuming cleaning.</li><li>2. The vacuum-mop will not resume cleaning if it is manually recharged or placed onto the charging dock.</li></ol>
Vacuum-mop does not start cleaning	The battery level is low. Recharge the vacuum-mop, then try again.	Vacuum-mop does not return to charging dock after being moved	Moving the vacuum-mop a considerable distance may cause it to re-map its surroundings. If the vacuum-mop is too far from the charging dock, it might not be able to automatically return on its own, in which case you will need to manually place the vacuum-mop onto the charging dock.
Vacuum-mop does not return to charging dock	<ol style="list-style-type: none"><li>1. There are too many obstructions around the charging dock. Place the charging dock in a more open area.</li><li>2. The vacuum-mop is too far away from the charging dock. Move it nearer to the charging dock and try again.</li></ol>	Vacuum-mop does not recharge	Make sure there is enough open space around the charging dock and its charging contacts are free of dust and other debris.
Vacuum-mop is malfunctioning	Turn off the vacuum-mop, then turn it on again.	Vacuum-mop does not perform scheduled cleanup	Make sure the vacuum-mop is connected to the network, otherwise it will be unable to sync with the app and perform scheduled cleanups.
Vacuum-mop makes a strange noise	A foreign object might be caught in the main brush, side brush, or the left/right wheel. Turn off the vacuum-mop and remove any debris.	Vacuum-mop keeps going offline	Make sure the vacuum-mop is connected to the network and stays in range of Wi-Fi at all times.
Vacuum-mop no longer cleans efficiently, or leaves dust behind	<ol style="list-style-type: none"><li>1. The dust compartment is full. Please empty the contents.</li><li>2. The filter is blocked. Please clean it.</li><li>3. A foreign object is caught in the main brush. Please clean it.</li></ol>	Vacuum-mop cannot be connected with "viomi-vacuum-v19_miapXXXX" in the app	Make sure the charging dock and vacuum-mop are in the range of Wi-Fi and have a good signal. Follow the instructions in the user manual to reset the Wi-Fi connection and pair the vacuum-mop again.
Vacuum-mop cannot connect to Wi-Fi	<ol style="list-style-type: none"><li>1. Wi-Fi signal is weak. Make sure the vacuum-mop is in an area with good Wi-Fi coverage.</li><li>2. There is something wrong with the Wi-Fi connection. Reset the Wi-Fi and download the latest version of the app, then try reconnecting.</li></ol>		

# Troubleshooting

Fault	Solution	Fault	Solution
Error 1: Make sure that the laser distance sensor is not obstructed.	Clear any foreign objects which may block or obstruct the laser distance sensor, or move the vacuum-mop to a new location and reactivate it.	Error 8: Reinstall the dust compartment and filter.	Make sure the dust compartment and filter are installed correctly. If the error persists, try replacing the filter.
Error 2: Wipe the cliff sensor clean, move the vacuum-mop to a new location, and reactivate it.	Part of the vacuum-mop may be off the ground, re-position the vacuum-mop and reactivate it. The cliff sensor is dirty, wipe off the dirt from the cliff sensor.	Error 9: Move the vacuum-mop to a new location and reactivate it.	A wheel may be off the ground. Re-position the vacuum-mop and reactivate it.
Error 3: Strong magnetic field detected. Reactivate the vacuum-mop away from any virtual walls.	The vacuum-mop may be too close to a virtual wall. Move the vacuum-mop to a new location and reactivate it.	Error 10: Clear any obstacles around the vacuum-mop.	The vacuum-mop may be caught or stuck. Clear away any obstructions around it.
Error 4: Clear the collision sensor of any foreign objects.	The collision sensor may be stuck. Gently tap it several times to remove any foreign objects. If nothing falls out, move the vacuum-mop to a different location and reactivate it.	Error 11: Make sure the water reservoir is installed properly.	Make sure the water reservoir or 2-in-1 dust compartment with water reservoir is securely installed.
Error 5: Vacuum-mop is operating at an abnormal temperature.	The operating temperature of the vacuum-mop is too high or too low. Wait until the temperature normalizes, then try again.	Error 12: Make sure the mop is installed properly.	Make sure the mop holder and mop are securely installed.
Error 6: Charging error. Try cleaning the charging contacts.	Wipe the charging contacts both on the charging dock and the vacuum-mop with a dry cloth.	Error 13: Unable to return to the charging dock.	Place the vacuum-mop onto the charging dock.
Error 7: Place the vacuum-mop on level ground and reactivate it.	The vacuum-mop is tilted at startup. Move the vacuum-mop to a level surface and reactivate it. You can also reset the level of vacuum-mop in the app, then reactivate it.	Error 14: Low battery. Please recharge.	Place the vacuum-mop onto the charging dock, then reactivate it after it is fully charged.
		Error 15: Remove the mop.	Remove the mop and holder, then reactivate the vacuum-mop.

## Specifications

### Vacuum-Mop

Model	V-RVCLM21A
Dimensions	φ 350 × 94.5 mm
Rated Input Voltage	20 V $\overline{=}$
Rated Input Current	1.2 A
Rated Power	33 W
Battery Capacity	3200 mAh
Battery Voltage	14.8 V $\overline{=}$ / 14.6 V $\overline{=}$
Net Weight	4.4 kg
Wireless Connectivity	Wi-Fi IEEE 802.11b/g/n 2.4 GHz

### Charging Dock

Model	V-RVCLM21A
Rated Output Voltage	20 V $\overline{=}$
Rated Output Current	1.2 A
Dimensions	152 × 74.6 × 99.5 mm

### Power Adapter

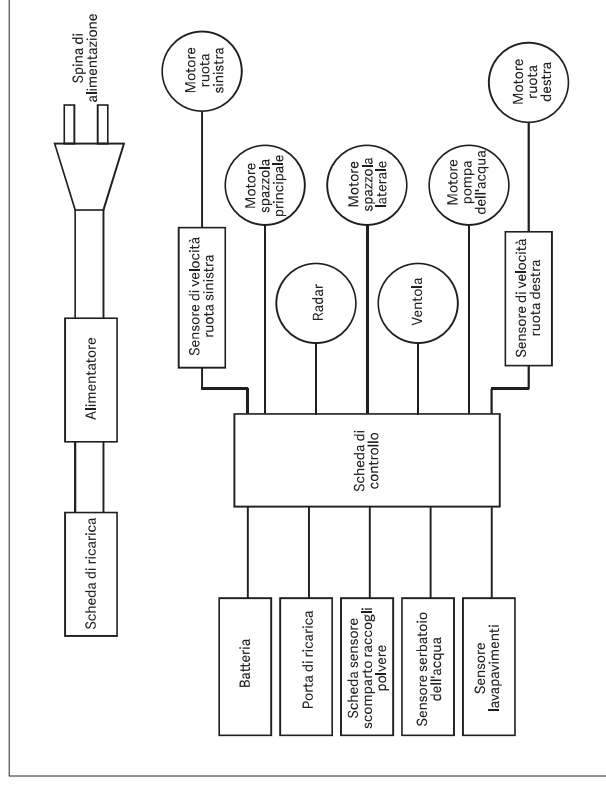
Model	NLD120200W1U4
Input	100–240 V $\sim$ , 50/60 Hz, 0.6 A
Output	20 V $\overline{=}$ 1.2 A

## Precauzioni

### Restrizioni per l'utilizzo

- Questo apparecchio non è destinato all'utilizzo da parte di persone (inclusi bambini) con capacità fisiche, sensoriali o mentali ridotte, oppure con mancanza di esperienza e conoscenza, a meno che non ricevano supervisione e istruzione riguardo l'utilizzo dell'apparecchio da parte di una persona responsabile della loro incolumità.
- Non consentire ai bambini di giocare con l'apparecchio.
- Le operazioni di pulizia e manutenzione non devono essere effettuate da bambini, a meno che non siano sorvegliati (UE).
- Tenere gli strumenti per la pulizia della spazzola principale lontano dalla portata dei bambini.
- Assicurarsi di tenere eventuali abiti larghi, capelli, dita e qualsiasi altra parte del corpo lontani dalle aperture e dalle parti in movimento.
- Non usare l'aspirapolvere/lavapavimenti per pulire eventuali sostanze infiammabili.
- Non sollevare l'aspirapolvere/lavapavimenti afferrandolo per il coperchio del radar laser.
- Accertarsi che l'aspirapolvere/lavapavimenti sia spento e che la stazione di ricarica sia scollegata prima di pulirlo o effettuare operazioni di manutenzione.
- Questo aspirapolvere/lavapavimenti è inteso per la pulizia di pavimenti in ambienti domestici. Non utilizzarlo all'aperto, per esempio su balconi, su superfici che non sono pavimenti, quali divani, o in ambienti commerciali o industriali.
- Non utilizzare l'aspirapolvere/lavapavimenti in ambienti sospesi sopra il livello del suolo, quali soppalchi, balconate aperte o sopra a mobili se non è presente una barriera di protezione.
- Non utilizzare l'aspirapolvere/lavapavimenti a una temperatura ambiente superiore a 40 °C o inferiore a 0 °C, né su pavimenti dove sono presenti liquidi o sostanze appiccicose.
- Togliere da terra eventuali cavi prima di utilizzare l'aspirapolvere/lavapavimenti, per evitare che vengano trascinati durante la pulizia.
- Togliere da terra oggetti fragili o non sciolti, quali vasi o sacchetti di plastica, per impedire che l'aspirapolvere/lavapavimenti sia bloccato o colpisca tali oggetti danneggiandoli.
- Non posizionare bambini, animali domestici o nessun altro oggetto sopra l'aspirapolvere/lavapavimenti, sia quando è fermo, sia quando è in movimento.
- Non utilizzare l'aspirapolvere/lavapavimenti per pulire tappeti.
- Non consentire all'aspirapolvere/lavapavimenti di aspirare oggetti duri o taglienti (ad esempio materiali da costruzione, vetro, chiodi)
- Non spruzzare liquidi nell'aspirapolvere/lavapavimenti (prima di reinstallare lo scomparto raccogli polvere, controllare che sia perfettamente asciutto).
- Non posizionare l'aspirapolvere/lavapavimenti in posizione capovolta (!alloggiamento del radar laser non deve mai toccare il pavimento).
- Utilizzare il prodotto solo secondo le istruzioni fornite nel manuale utente o nella guida rapida. Gli utenti sono responsabili di eventuali perdite o danni derivanti dall'uso improprio dell'apparecchio.

## Schema elettrico



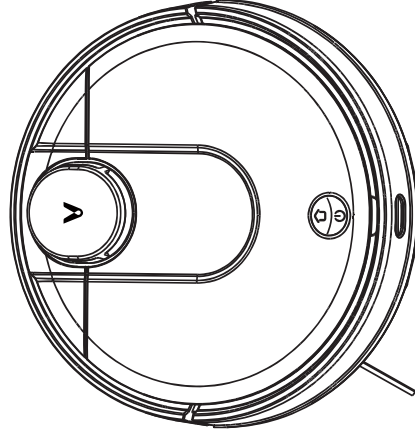
## Batteries and Charging

- Non utilizzare batterie, alimentatori o stazioni di ricarica non originali. Utilizzare soltanto con l'unità di alimentazione <NLD120200WTU4>.
- L'apparecchio deve essere scollegato dalla rete elettrica quando si rimuove la batteria.
- Questo apparecchio contiene batterie sostituibili solo da personale adeguatamente formato.
- Non pulire nessuna parte dell'aspirapolvere/lavapavimenti con panni umidi o con liquidi.
- Non utilizzare batterie, alimentatori o stazioni di ricarica non originali.
- Se il cavo di alimentazione è danneggiato, deve essere sostituito dal produttore, dal suo agente di servizio o da una persona analogamente qualificata al fine di evitare rischi.
- Non smontare, riparare o modificare la batteria o la stazione di ricarica per proprio conto.
- Non posizionare la stazione di ricarica vicino a fonti di calore, quali termosifoni.
- Non smaltire in modo improprio le batterie usate. Prima di disfarsi dell'aspirapolvere/lavapavimenti, verificare che sia scollegato. La batteria deve essere rimossa e smaltita in modo ecologico.
- Accertarsi che l'aspirapolvere/lavapavimenti sia spento durante il trasporto e, se possibile, conservarlo nella confezione originale.
- Se l'aspirapolvere/lavapavimenti non viene utilizzato per un lungo periodo, ricaricarlo completamente, quindi spegnerlo e conservarlo in un luogo fresco e asciutto. Ricaricare l'aspirapolvere/lavapavimenti almeno una volta al mese per evitare che la batteria si danneggi.

Il radar laser del prodotto soddisfa lo standard IEC 60825-1:2014 per la sicurezza dei prodotti laser di classe 1 e non genera radiazioni laser pericolose per il corpo umano.

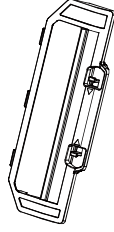
# Panoramica sul prodotto

## Prodotto ed elenco accessori



Viomi SE

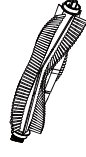
## Accessori per Vacuum-Mop



Protezione spazzola principale

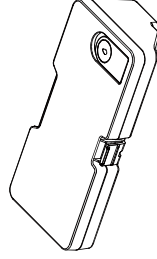


Spazzola di pulizia

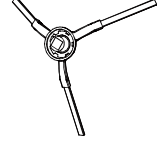


Spazzola principale

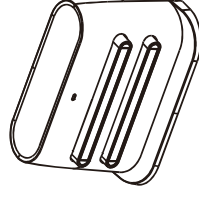
## Contenuto della scatola degli accessori



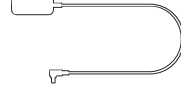
Scomparto raccogli polvere 2 in 1 con serbatoio acqua (per le modalità di aspirazione e lavaggio)



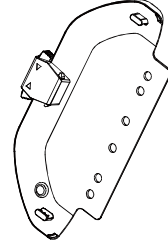
Spazzola laterale (2)



Stazione di ricarica



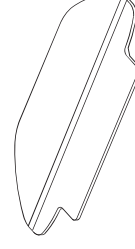
Alimentatore



Supporto per lavapavimenti



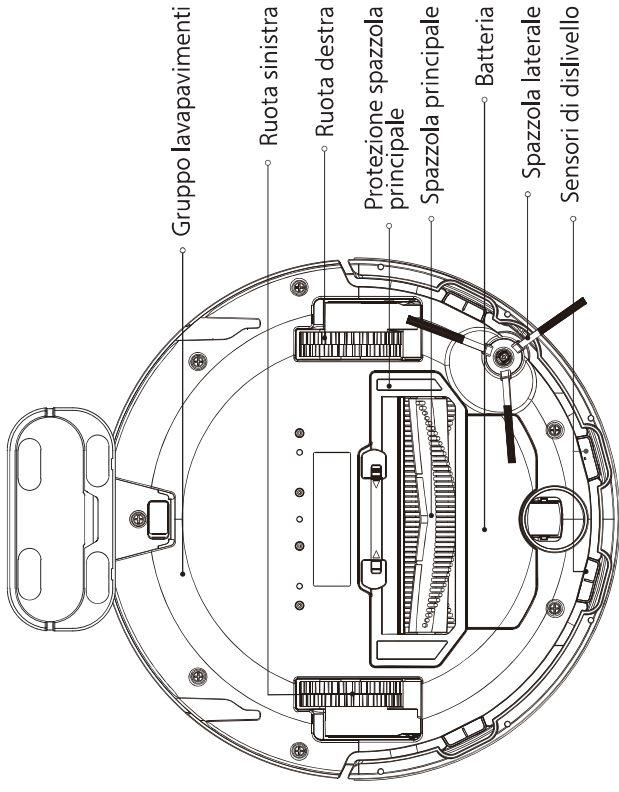
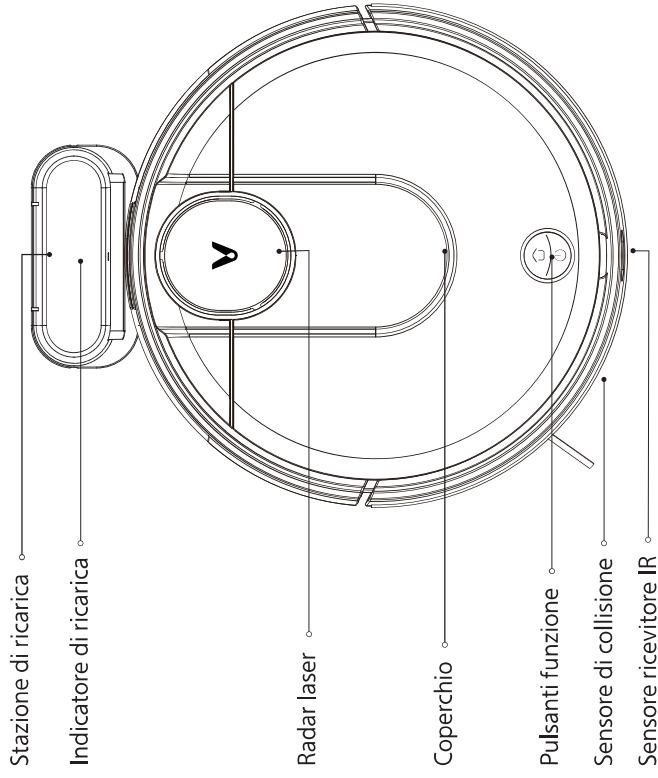
Lavapavimenti bagnato



Lavapavimenti umido

Nota: le illustrazioni del prodotto, degli accessori e dell'interfaccia utente nel manuale utente sono esclusivamente a scopo di riferimento. Il prodotto effettivo e le relative funzioni possono variare a causa dei miglioramenti apportati al prodotto stesso.





## 🏠 Stazione

Premere per rimandare l'aspirapolvere/lavapavimenti alla stazione di ricarica.

## 🔄 Pulsante di accensione/pulizia

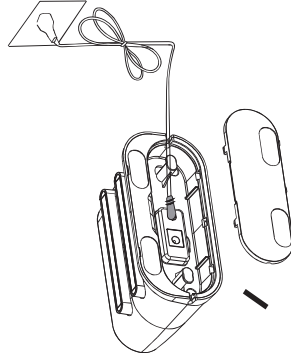
Premere per avviare o arrestare la pulizia  
 Tenere premuto per 3 secondi per accendere o spegnere l'aspirapolvere/lavapavimenti.

## 🔌 Stato della spia

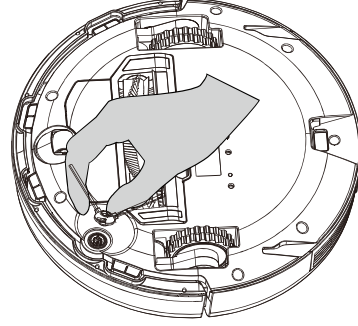
Giallo lampeggiante lentamente	Ritorno alla stazione di ricarica per caricare/batteria scarica	Blu lampeggiante	Wi-Fi non connesso
Giallo a "effetto respiro"	Carica in corso	Blu lampeggiante lentamente	In attesa della configurazione di rete
Rosso lampeggiante	Errore	Blu a "effetto respiro"	Accensione in corso/aggiornamento firmware in corso
Blu	accesso/funzionamento normale/carica completa/connesso a Wi-Fi		

## Installazione

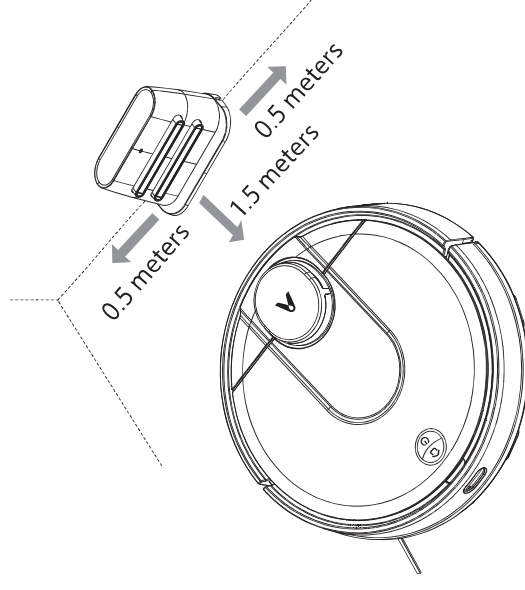
1. Collegare la stazione di ricarica alla presa di corrente.





2. Installare la spazzola laterale nell'angolo superiore sinistro dell'aspirapolvere/lavapavimenti come mostrato nella figura. Nella confezione è presente una spazzola laterale extra di ricambio che non deve essere installata.



3. Posizionare la stazione di ricarica su un pavimento piano contro una parete.

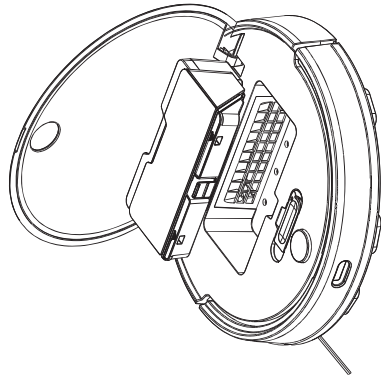


4. Quando si utilizza l'aspirapolvere/lavapavimenti per la prima volta, tenere premuto il pulsante  per 3 secondi per accendere l'elettrodomestico. Quando la spia si accende, posizionare manualmente l'aspirapolvere/lavapavimenti sulla stazione di ricarica per caricarlo. In seguito, quando si preme il pulsante  quando l'aspirapolvere/lavapavimenti è in fase di pulizia, questo si porta automaticamente sulla stazione di ricarica per ricaricarsi.

Blu: accesso/funzionamento normale/carica completa/connesso a Wi-Fi  
Giallo a "effetto respiro": carica in corso  
Rosso lampeggiante: errore

## Installazione degli accessori per la modalità desiderata

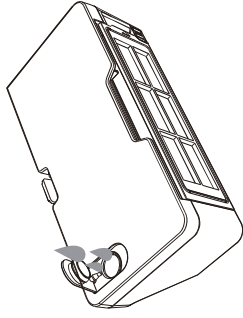
Modalità di pulizia: installare lo scomparto raccogli polvere 2 in 1 con il serbatoio



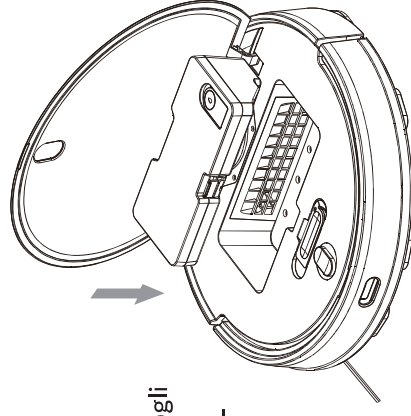
1. Aprire il coperchio dell'aspirapolvere/lavapavimenti e inserire lo scomparto raccogli polvere 2 in 1 con serbatoio dell'acqua nella direzione mostrata fino a quando si blocca in posizione.

2. Accendere l'aspirapolvere/lavapavimenti. È pronto per iniziare la pulizia.

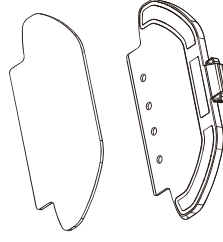
Modalità aspirazione e lavaggio: installare lo scomparto raccogli polvere 2 in 1 con serbatoio dell'acqua, il supporto per lavapavimenti e il lavapavimenti.



1. Aprire il coperchio del serbatoio dell'acqua, riempire il serbatoio e chiudere il coperchio.

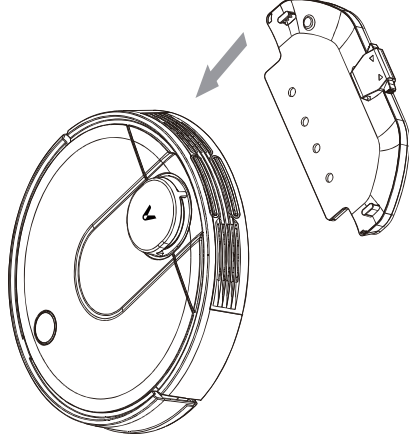


2. Installare lo scomparto raccogli polvere 2 in 1 con serbatoio dell'acqua nell'aspirapolvere/lavapavimenti fino a bloccarlo in posizione.



3. Fissare il lavapavimenti al supporto e unire le strisce di velcro.

4. Premere i fermi, installare il supporto per lavapavimenti orizzontalmente nella parte inferiore dell'aspirapolvere/lavapavimenti come illustrato.




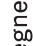
5. Accendere l'aspirapolvere/lavapavimenti. È pronto per iniziare l'aspirazione e il lavaggio.

### Precauzioni:

1. Non esporre la base di ricarica alla luce solare diretta.
2. Verificare che sia presente uno spazio libero di 0,5 metri o più su ogni lato della stazione di ricarica e di oltre 1,5 metri nella parte anteriore.
3. Se non è possibile accendere l'aspirapolvere/lavapavimenti perché la batteria è scarica, posizionarlo direttamente sulla stazione di ricarica per ricaricarlo.
4. Quando si trova sulla stazione di ricarica, l'aspirapolvere/lavapavimenti si accende automaticamente.
5. Non è possibile spegnere l'aspirapolvere/lavapavimenti quando si trova sulla stazione di ricarica.
6. Quando l'aspirapolvere/lavapavimenti è in carica o non viene utilizzato, rimuovere il serbatoio dell'acqua e il supporto per lavapavimenti.
7. Per impedire che l'aspirapolvere/lavapavimenti si incastri su un tappeto, utilizzare la parete virtuale o impostare aree vietate per le zone con tappeti.
8. Pulire regolarmente lo scomparto raccogli polvere per impedire un accumulo eccessivo di sporcizia. In tal modo si evita di ridurre le prestazioni di pulizia dell'aspirapolvere/lavapavimenti.

## Modalità d'utilizzo


### Accensione/spegnimento

Quando l'aspirapolvere/lavapavimenti si trova sulla stazione di ricarica, si accende automaticamente e non può essere spento. Per accendere manualmente l'aspirapolvere/lavapavimenti, tenere premuto il pulsante  fino a quando si accende la spia. Quando l'aspirapolvere/lavapavimenti è in modalità di standby e non si trova sulla stazione di ricarica, tenere premuto il pulsante  per spegnerlo.

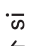
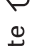
### Pulizia

Accendere l'aspirapolvere/lavapavimenti, quindi premere il pulsante . Secondo l'accessorio installato, l'aspirapolvere/lavapavimenti inizia automaticamente ad aspirare o a lavare.

### Ricarica

Accendere l'aspirapolvere/lavapavimenti, quindi premere il pulsante  per inviarlo alla stazione per la ricarica. Quando l'aspirapolvere/lavapavimenti completa l'operazione di pulizia, torna automaticamente alla stazione per la ricarica e la spia lampeggia in giallo. Se durante un'attività di pulizia la batteria dell'aspirapolvere/lavapavimenti inizia a scaricarsi, l'apparecchio torna automaticamente alla stazione di ricarica per ricaricarsi. Quando l'aspirapolvere/lavapavimenti è completamente carico, riprende la pulizia dal punto in cui l'aveva interrotta. Se l'aspirapolvere/lavapavimenti si spegne automaticamente perché la batteria è scarica, posizionarlo manualmente sulla stazione di ricarica e verificare che i terminali di ricarica siano in contatto correttamente.

### Pausa

Durante il funzionamento dell'aspirapolvere/lavapavimenti, premere qualsiasi pulsante per metterlo in pausa, quindi premere il pulsante  per riprendere la pulizia. Premere il pulsante  si termina l'attività di pulizia corrente e si invia l'aspirapolvere/lavapavimenti alla stazione di ricarica.

### Modalità risparmio energetico

L'aspirapolvere/lavapavimenti entra automaticamente in modalità di risparmio energetico dopo 5 minuti di inattività. Per farlo tornare in funzione, premere qualsiasi pulsante o utilizzare l'app.


- L'aspirapolvere/lavapavimenti non entra in modalità risparmio energetico se si trova sulla stazione di ricarica.
- L'aspirapolvere/lavapavimenti si spegne automaticamente dopo 12 ore di modalità risparmio energetico.

### Stato di anomalia

Se durante il funzionamento dell'aspirapolvere/lavapavimenti si verifica un errore, la spia lampeggia in rosso e viene emesso un avviso vocale. Per cercare una soluzione, consultare la sezione relativa alla risoluzione dei problemi.

Se non viene intrapresa alcuna azione entro 5 minuti, l'aspirapolvere/lavapavimenti entra automaticamente in modalità risparmio energetico.

### Aggiunta di acqua o pulizia del lavapavimenti durante la pulizia

Se occorre aggiungere acqua all'aspirapolvere/lavapavimenti o pulire il lavapavimenti durante un'attività di pulizia, premere qualsiasi pulsante per mettere in pausa l'aspirapolvere/lavapavimenti, quindi rimuovere il serbatoio dell'acqua. Dopo avere aggiunto acqua o avere pulito il lavapavimenti, reinstallare il serbatoio dell'acqua, quindi premere il pulsante  per riprendere l'attività di pulizia.

### Preferenze di pulizia

Nell'app Mi Home/Xiaomi Home sono disponibili quattro modalità di aspirazione: Silenzioso, Standard, Medio e Turbo. La modalità predefinita è Standard.

## **Modalità Non disturbare**

Nella modalità Non disturbare, l'aspirapolvere/lavapavimenti non riprende la pulizia, non effettua la pulizia pianificata e non emette avvisi vocali. La modalità Non disturbare viene abilitata per impostazione predefinita e può essere disabilitata mediante l'app.

## **Ripresa della pulizia**

L'aspirapolvere/lavapavimenti dispone di una funzione per la ripresa della pulizia. Se durante un'attività di pulizia la batteria dell'apparecchio si scarica, questo torna automaticamente alla stazione di ricarica per ricaricarsi. Quando l'aspirapolvere/lavapavimenti è completamente carico, riprende la pulizia da dove l'aveva interrotta. Se l'attività di pulizia viene terminata manualmente mentre l'aspirapolvere/lavapavimenti è in ricarica, la pulizia non viene ripresa.

## **Zona circoscritta**

È possibile utilizzare l'app per impostare una zona circoscritta. L'aspirapolvere/lavapavimenti effettua la pulizia all'interno della zona circoscritta.

## **Pulisci li**

Mediante l'app è possibile impostare sulla mappa un'area specifica: l'aspirapolvere/lavapavimenti si porta automaticamente sull'area e pulisce un'area quadrata di 2 x 2 metri.

## **Pulizia programmata**

Nell'app è possibile programmare orari di pulizia. L'aspirapolvere/lavapavimenti inizia automaticamente la pulizia negli orari programmati, quindi torna sulla stazione di ricarica al termine della pulizia.

Nota: se è abilitata la modalità Non disturbare, l'aspirapolvere/lavapavimenti non effettua la pulizia programmata durante il periodo Non disturbare.

## **Pareti virtuali/aree limitate**

Nell'app è possibile impostare pareti virtuali e aree limitate per impedire all'aspirapolvere/lavapavimenti di entrare in aree che non si desidera siano pulite.

## **Mappatura intelligente**

È possibile utilizzare l'app per abilitare la mappatura intelligente. In tal modo l'aspirapolvere/lavapavimenti aggiorna automaticamente la propria mappa dopo avere completato un'attività di pulizia ed essersi ricaricato.

## Connessione con l'app Mi Home

Questo prodotto funziona con l'app Mi Home/Xiaomi Home\*. Controllo del dispositivo e interazione con altri dispositivi domotici intelligenti con l'app Mi Home/Xiaomi Home.





Eseguire la scansione del codice QR per scaricare e installare l'app. Se l'app è già installata, si verrà indirizzati alla pagina di configurazione della connessione. In alternativa, cercare l'app "Mi Home/Xiaomi Home" nell'App Store per scaricarla e installarla.

Aprire l'app Mi Home/Xiaomi Home, toccare il simbolo "+" nell'angolo in alto a destra e seguire le istruzioni fornite per aggiungere il dispositivo.

\* In Europa, eccetto che in Russia, l'app si chiama Xiaomi Home. Si consiglia di tenere per impostazione predefinita il nome dell'app visualizzato sul dispositivo.



Nota: poiché la versione dell'app potrebbe essere stata aggiornata, seguire le istruzioni della versione dell'app corrente.

## Reimpostazione Wi-Fi

Quando si passa su un nuovo router o si cambia la password del Wi-Fi è necessario reimpostare la connessione Wi-Fi dell'aspirapolvere/lavapavimenti. Accendere l'aspirapolvere/lavapavimenti, quindi tenere premuti contemporaneamente il pulsante  e  per 3 secondi fino a sentire una voce che dice "In attesa della configurazione di rete". Quando la connessione Wi-Fi è stata reimpostata correttamente, è possibile ricollegare l'aspirapolvere/lavapavimenti.

Nota: sono supportate solo reti Wi-Fi da 2,4 GHz.

## Ripristino delle impostazioni di fabbrica

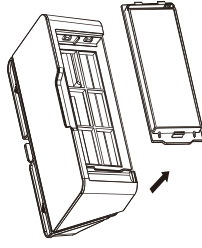
Tenere premuto il pulsante  per 5 secondi. Quando si sente una voce che dice "Le impostazioni predefinite verranno ripristinate", tenere nuovamente premuto il pulsante  per 5 secondi fino a sentire "Ripristino delle impostazioni di fabbrica". Quando le impostazioni sono state ripristinate correttamente, tutti i dati utente sono stati cancellati e si sente una voce che dice "Impostazioni di fabbrica ripristinate correttamente".



## Cura e manutenzione

### Scomparto raccogli polvere 2 in 1 con serbatoio dell'acqua

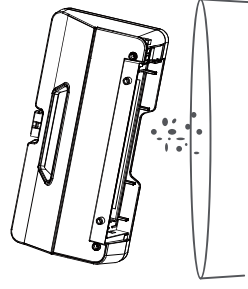
1. Aprire il coperchio dell'aspirapolvere/lavapavimenti, rimuovere lo scomparto raccogli polvere 2 in 1 con serbatoio dell'acqua, quindi rimuovere il filtro come mostrato nella figura.



### Filtro

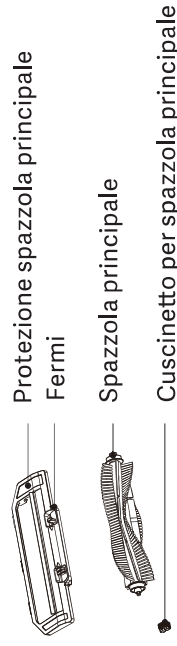
Per pulire il filtro nello scomparto raccogli polvere e nello scomparto raccogli polvere 2 in 1 con serbatoio dell'acqua, rimuoverlo come indicato nella figura.

- Dopo avere sciacquato il filtro con acqua, verificare che sia completamente asciutto quando si reinstalla il filtro nello scomparto raccogli polvere o nello scomparto raccogli polvere 2 in 1 con serbatoio dell'acqua.
- Per impedire l'intasamento del filtro, si consiglia di pulirlo regolarmente utilizzando la spazzola per la pulizia.
- Si consiglia di sostituire il filtro ogni 3-6 mesi.

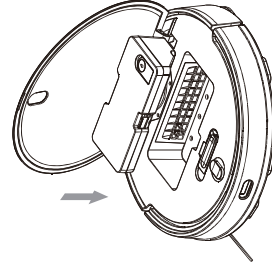


2. Svuotare lo scomparto raccogli polvere. Pulire lo scomparto utilizzando la spazzola per la pulizia, quindi allineare e reinstallare il filtro.

### Spazzola principale



3. Reinstallare lo scomparto raccogli polvere 2 in 1 con serbatoio dell'acqua nell'aspirapolvere/lavapavimenti fino a quando scatta in posizione, quindi chiudere il coperchio dell'aspirapolvere/lavapavimenti.



1. Capovolgere l'aspirapolvere/lavapavimenti e premere sui fermi per rimuovere la protezione della spazzola principale.
2. Rimuovere la spazzola principale e pulire il relativo cuscinetto principale.
3. Per pulire la spazzola principale, utilizzare la spazzola per la pulizia.
4. Reinstallare la spazzola principale e il relativo cuscinetto, quindi spingere indietro e verso il basso la protezione della spazzola principale fino a bloccarla in posizione.

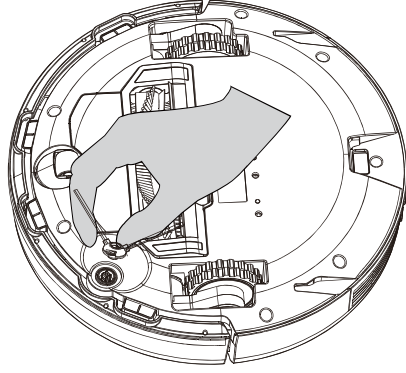
Nota: si consiglia di sostituire la spazzola principale ogni 6-12 mesi per un'efficacia ottimale di pulizia.



## Spazzola laterale

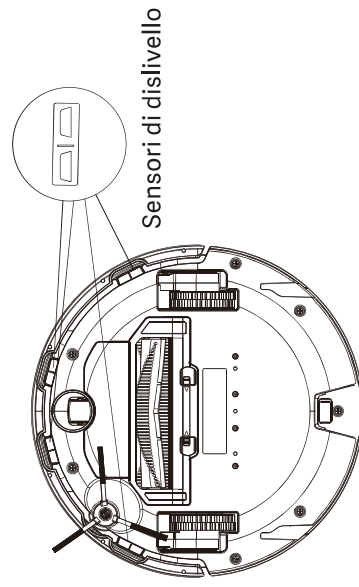
Rimuovere e pulire la spazzola laterale a intervalli regolari.

Si consiglia di sostituire la spazzola laterale ogni 3-6 mesi per un'efficacia ottimale di pulizia.



## Sensori di dislivello

Pulire i sensori di dislivello ogni tre mesi utilizzando un panno morbido.



## Guasto

L'aspirapolvere/lavapavimenti non si accende

1. Il livello della batteria è basso. Ricaricare l'aspirapolvere/lavapavimenti, quindi riprovare.
2. La temperatura ambiente è troppo bassa (meno di 0 °C) o troppo alta (oltre 40 °C).

L'aspirapolvere/lavapavimenti non inizia a pulire

Il livello della batteria è basso. Ricaricare l'aspirapolvere/lavapavimenti, quindi riprovare.

L'aspirapolvere/lavapavimenti non ritorna alla stazione di ricarica

1. Sono presenti troppi ostacoli intorno alla stazione di ricarica. Posizionare la stazione di ricarica in una zona più aperta.
2. L'aspirapolvere/lavapavimenti è troppo lontano dalla stazione di ricarica. Spostarlo più vicino alla stazione di ricarica e riprovare.

L'aspirapolvere/lavapavimenti non funziona bene

Spegnere l'aspirapolvere/lavapavimenti, quindi riaccenderlo.

L'aspirapolvere/lavapavimenti fa uno strano rumore

Potrebbe essersi incastrato un corpo estraneo nella spazzola principale, in quella laterale o nella ruota destra/sinistra. Spegnere l'aspirapolvere/lavapavimenti e rimuovere eventuali detriti.

L'aspirapolvere/lavapavimenti non pulisce più in modo efficiente o lascia polvere dietro di sé

1. Lo scomparto raccogli polvere è pieno. Svuotarlo.
2. Il filtro è ostruito. Pulirlo.
3. Un corpo estraneo si è incastrato nella spazzola principale. Eliminarlo.

## Guasto

L'aspirapolvere/lavapavimenti non riesce a collegarsi al Wi-Fi

1. Il segnale Wi-Fi è troppo debole. Assicurarsi che l'aspirapolvere/lavapavimenti si trovi in una zona con una buona copertura Wi-Fi.
2. C'è qualcosa che non va con il collegamento Wi-Fi. Effettuare un reset del Wi-Fi e scaricare la versione più recente dell'app, quindi provare a riconnettersi.

L'aspirapolvere/lavapavimenti non riprende la pulizia

1. Accertarsi che l'aspirapolvere/lavapavimenti non sia impostato sulla modalità Non disturbare, che impedisce la ripresa della pulizia.
2. L'aspirapolvere/lavapavimenti non riprende la pulizia quando viene caricato manualmente o posto manualmente sulla stazione di ricarica.

L'aspirapolvere/lavapavimenti non ritorna sulla stazione di ricarica dopo essere stato spostato

Lo spostamento dell'aspirapolvere/lavapavimenti per una distanza considerevole può portare quest'ultimo a ridefinire ciò che gli sta intorno. Se l'aspirapolvere/lavapavimenti è troppo lontano dalla stazione di ricarica, può non riuscire a tornare automaticamente alla stazione di ricarica da solo. In tal caso è necessario posizionarlo manualmente su di essa.

L'aspirapolvere/lavapavimenti non si ricarica

Verificare che sia presente spazio libero sufficiente intorno alla stazione di ricarica e che i contatti di ricarica siano puliti.

## Risoluzione dei problemi

Guasto	Cause possibili	Guasto	Soluzione
L'aspirapolvere/lavapavimenti non effettua la pulizia programmata	Verificare che l'aspirapolvere/lavapavimenti sia collegato alla rete, altrimenti non è in grado di sincronizzarsi con l'app ed effettuare le pulizie programmate.	Errore 1: verificare che non siano presenti ostacoli per il sensore di distanza laser.	Eliminare eventuali corpi estranei che possano bloccare od ostruire il sensore di distanza laser, oppure spostare l'aspirapolvere/lavapavimenti in una nuova posizione e riattivarlo.
L'aspirapolvere/lavapavimenti continua a portarsi offline	Verificare che l'aspirapolvere/lavapavimenti sia collegato alla rete e resti sempre entro la portata del Wi-Fi.	Errore 2: pulire il sensore di dislivello e spostare l'aspirapolvere/lavapavimenti in una nuova posizione, quindi riattivarlo.	Parte dell'aspirapolvere/lavapavimenti può essere sollevata dal pavimento, spostare l'aspirapolvere/lavapavimenti e riattivarlo. Se il sensore di dislivello è sporco, pulirlo.
Non è possibile collegare l'aspirapolvere/lavapavimenti a "viomi-vacuum-v19_miapXXXX" nell'app	Verificare che la stazione di ricarica e l'aspirapolvere/lavapavimenti si trovino entro la portata del Wi-Fi e dispongano di un segnale sufficiente. Seguire le istruzioni nel manuale utente per ripristinare la connessione Wi-Fi ed effettuare nuovamente l'accoppiamento dell'aspirapolvere/lavapavimenti.	Errore 3: è stato rilevato un campo magnetico forte. Tenere l'aspirapolvere/lavapavimenti lontano da eventuali pareti virtuali.	L'aspirapolvere/lavapavimenti è troppo vicino a una parete virtuale. Spostarlo in una nuova posizione e riattivarlo.
		Errore 4: eliminare eventuali oggetti estranei dal sensore di collisione.	Il sensore di collisione può essere bloccato. Picchiettarlo delicatamente per eliminare eventuali corpi estranei. Se non esce niente, spostare l'aspirapolvere/lavapavimenti in una posizione diversa e riattivarlo.
		Errore 5: l'aspirapolvere/lavapavimenti funziona a una temperatura anomala.	La temperatura di funzionamento dell'aspirapolvere/lavapavimenti è troppo elevata o troppo bassa. Attendere che la temperatura torni a livelli normali, quindi riprovare.
		Errore 6: errore di ricarica. Cercare di pulire i contatti di ricarica.	Pulire i contatti di ricarica sulla stazione di ricarica e sull'aspirapolvere/lavapavimenti con un panno asciutto.

Guasto	Soluzione	Guasto	Soluzione
<p>Errore 7: posizionare l'aspirapolvere/lavapavimenti su un pavimento piano e riattivarlo.</p>	<p>Al momento dell'avviamento l'aspirapolvere/lavapavimenti è inclinato. Spostarlo su una superficie piana e riattivarlo. È anche possibile ripristinare il livello dell'aspirapolvere/lavapavimenti nell'app, quindi riattivarlo.</p>	<p>Errore 14: batteria scarica, ricaricarla.</p>	<p>Posizionare l'aspirapolvere/lavapavimenti sulla stazione di ricarica, quindi riattivarlo quando è completamente carico.</p>
<p>Errore 8: reinstallare lo scomparto raccogli polvere ed il filtro.</p>	<p>Accertarsi che lo scomparto raccogli polvere e il filtro siano installati correttamente. Se l'errore persiste, provare a sostituire il filtro.</p>	<p>Errore 15: rimuovere il lavapavimenti.</p>	<p>Rimuovere il lavapavimenti e il supporto, quindi riattivare l'aspirapolvere/lavapavimenti.</p>
<p>Errore 9: spostare l'aspirapolvere/lavapavimenti in una nuova posizione e riattivarlo.</p>	<p>È possibile che una ruota sia sollevata: spostare l'aspirapolvere/lavapavimenti e riattivarlo.</p>		
<p>Errore 10: rimuovere eventuali ostacoli intorno all'aspirapolvere/lavapavimenti.</p>	<p>L'aspirapolvere/lavapavimenti può essere incastrato o bloccato. Eliminare eventuali ostruzioni intorno ad esso.</p>		
<p>Errore 11: verificare che il serbatoio dell'acqua sia installato correttamente.</p>	<p>Verificare che il serbatoio dell'acqua o lo scomparto raccogli polvere 2 in 1 con serbatoio dell'acqua siano installati correttamente.</p>		
<p>Errore 12: verificare che il lavapavimenti sia installato correttamente.</p>	<p>Verificare che il supporto del lavapavimenti e il lavapavimenti siano installati correttamente.</p>		
<p>Errore 13: impossibile tornare alla stazione di ricarica.</p>	<p>Posizionare l'aspirapolvere/lavapavimenti sulla stazione di ricarica.</p>		

## Specifiche tecniche

### Vacuum-Mop

Modello	V-RVCLM21A
Dimensioni	φ 350 × 94,5 mm
Tensione nominale di ingresso	20 V $\overline{\text{=}}$
Corrente in ingresso nominale	1,2 A
Potenza nominale	33 W
Capacità della batteria	3200 mAh
Tensione della batteria	14,8 V $\overline{\text{=}}$ / 14,6 V $\overline{\text{=}}$
Peso netto	4,4 kg
Connettività wireless	Wi-Fi IEEE 802.11b/g/n 2,4 GHz

### Stazione di ricarica

Modello	V-RVCLM21A
Tensione nominale di uscita	20 V $\overline{\text{=}}$
Corrente nominale di uscita	1,2 A
Dimensioni	152 × 74,6 × 99,5 mm

### Alimentatore

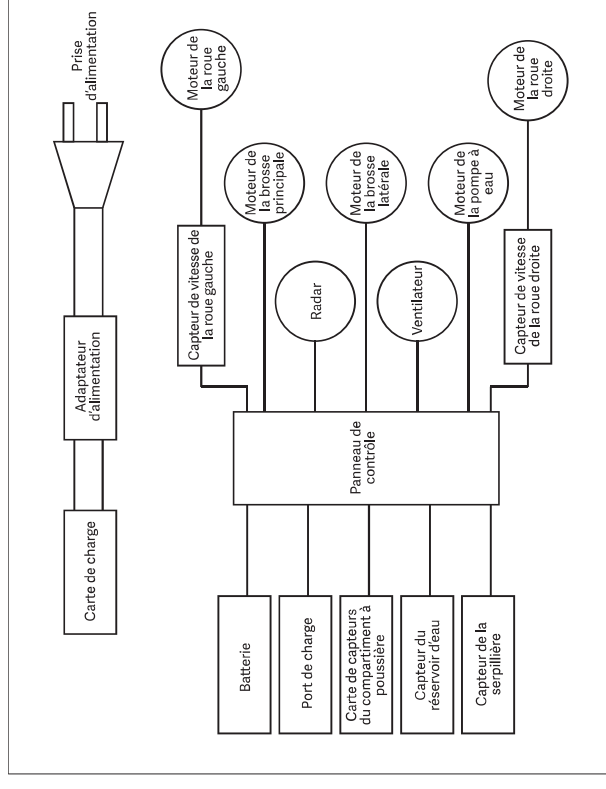
Modello	NLD120200W1U4
Ingresso	100-240 V $\sim$ , 50/60 Hz, 0,6 A
Uscita	20 V $\overline{\text{=}}$ 1,2 A

## Précautions

### Restrictions d'utilisation

- Cet appareil n'a pas été conçu pour être utilisé par des personnes (y compris des enfants) ayant des capacités physiques, sensorielles ou mentales réduites, ou ne disposant pas de l'expérience ou des connaissances nécessaires, sauf sous la supervision d'une personne responsable de leur sécurité, qui doit leur donner des instructions sur l'utilisation de l'appareil.
- Les enfants doivent être placés sous surveillance pour qu'ils ne jouent pas avec l'appareil.
- Le nettoyage et l'entretien ne doivent pas être effectués par un enfant sans surveillance (EU).
- Veuillez conserver le nettoyeur de brosse principal hors de la portée des enfants.
- Gardez les cheveux, les vêtements, les doigts ou toute autre partie du corps à l'écart des éléments mobiles ou pouvant s'ouvrir.
- N'utilisez pas le robot aspirateur laveur pour nettoyer des substances brûlées.
- Ne soulevez pas le robot aspirateur laveur en saisissant le capot de son radar laser.
- Assurez-vous que le robot aspirateur laveur est éteint et que le socle de charge est débranché avant de procéder au nettoyage ou à l'entretien.
- Ce robot aspirateur laveur est uniquement destiné au nettoyage des sols dans un environnement domestique. Ne l'utilisez pas à l'extérieur comme sur un balcon ouvert, pour une surface qui n'est pas un sol tel qu'un canapé, ni dans un environnement commercial ou industriel.
- N'utilisez pas l'aspirateur dans une zone suspendue au-dessus du sol, notamment un plancher en duplex, un balcon ouvert ou sur le dessus du meuble, sans protection.
- N'utilisez pas l'aspirateur dans des environnements où la température ambiante est supérieure à 40 °C ou inférieure à 0 °C, ni sur le sol avec des liquides ou des substances collantes.
- Retirez tous les câbles sur le sol avant d'utiliser le robot aspirateur laveur pour éviter qu'il ne s'emmêle dedans pendant le nettoyage.
- Enlevez tous les objets fragiles ou souples, tels que les vases et les sacs en plastique, pour éviter toute obstruction du robot aspirateur laveur ou toute collision pouvant provoquer des dégâts.
- Ne mettez pas d'enfants, d'animaux ou d'objets sur le robot aspirateur laveur, qu'il soit à l'arrêt ou en mouvement.
- N'utilisez pas le robot aspirateur laveur pour nettoyer des tapis.
- Ne laissez pas le robot aspirateur laveur aspirer des objets rigides ou pointus, tels que des matériaux de construction, du verre et des clous.
- Ne vaporisez pas de liquide dans le robot aspirateur laveur (assurez-vous que le compartiment à poussière est bien sec avant de le réinstaller).
- Ne posez pas le robot aspirateur laveur à l'envers (le radar laser ne doit pas toucher le sol).
- Utilisez uniquement ce produit conformément aux instructions du manuel d'utilisation. Les utilisateurs sont responsables des pertes ou dommages découlant d'une mauvaise utilisation de ce produit.

## Diagramme électrique



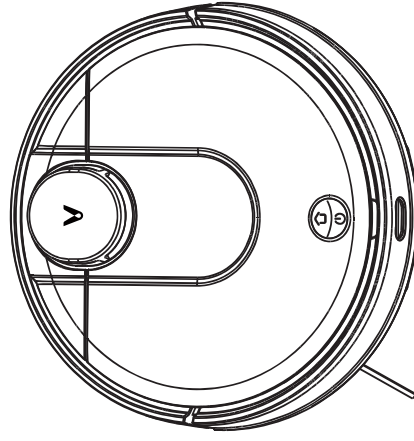
### Batteries et charge

- N'utilisez pas de batterie, de chargeur ou de socle de charge tiers. N'utilisez que l'unité d'approvisionnement <NLD120200W1U4>.
- L'appareil doit être déconnecté de toute alimentation électrique avant le retrait de la batterie.
- Ce produit contient des batteries ne pouvant être remplacées que par des personnes compétentes.
- Ne nettoyez aucune partie de ce robot aspirateur laveur avec un chiffon humide ou un liquide.
- N'utilisez pas de batterie, d'adaptateur d'alimentation ou de socle de charge tiers.
- Si le cordon d'alimentation est endommagé, ce dernier doit être remplacé par le fabricant, son agent de maintenance ou des personnes qualifiées afin d'éviter tout danger.
- Veuillez ne pas démonter, réparer ou modifier vous-même la batterie ou le socle de charge.
- Ne placez pas le socle de charge près d'une source de chaleur, telle qu'un radiateur.
- Ne jetez pas vos batteries usagées de façon inappropriée. Avant de jeter le robot aspirateur laveur, assurez-vous qu'il est débranché et que la batterie a été retirée et jetée d'une manière respectueuse de l'environnement.
- Dans la mesure du possible, assurez-vous que le robot aspirateur laveur est éteint lorsque vous le transportez et rangez-le dans son emballage d'origine.
- Si vous ne prévoyez pas d'utiliser le robot aspirateur laveur pendant une période prolongée, chargez-le entièrement, éteignez-le, puis entreposez-le dans un endroit frais et sec. Chargez le robot aspirateur laveur au moins une fois par mois pour éviter que la batterie ne soit endommagée.

Le radar laser de ce produit est conforme à la norme IEC 60825-1:2014 relative à la sécurité des produits lasers de classe 1 et il n'émet aucun rayonnement laser dangereux pour le corps humain.

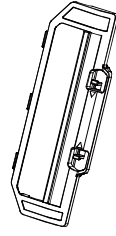
# Présentation du produit

## Liste des produits et accessoires



Viomi SE

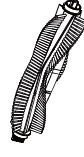
### Accessoires du robot aspirateur laveur



Grillage de protection de la brosse principale

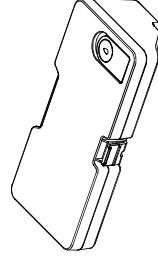


Brosse de nettoyage

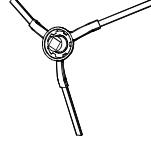


Brosse principale

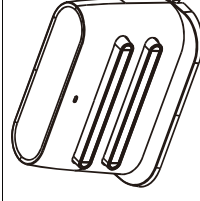
### Contenu de la boîte d'accessoires



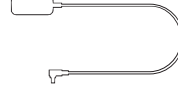
Compartment à poussière avec réservoir d'eau 2-en-1 (modes aspirateur et serpillière)



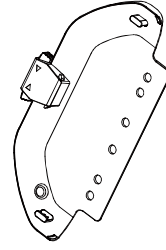
Brosses latérales (\*2)



Socle de charge



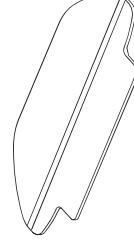
Adaptateur d'alimentation



Support de la serpillière



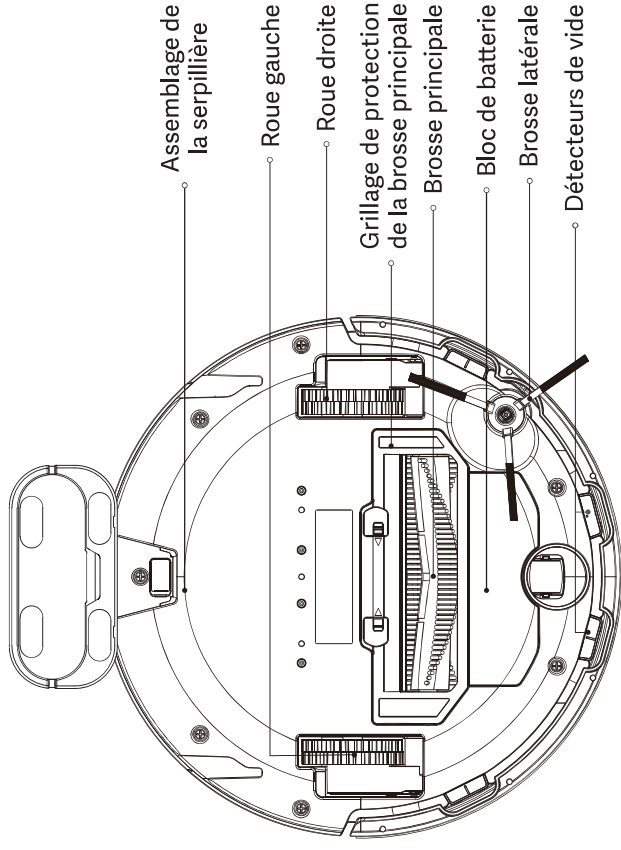
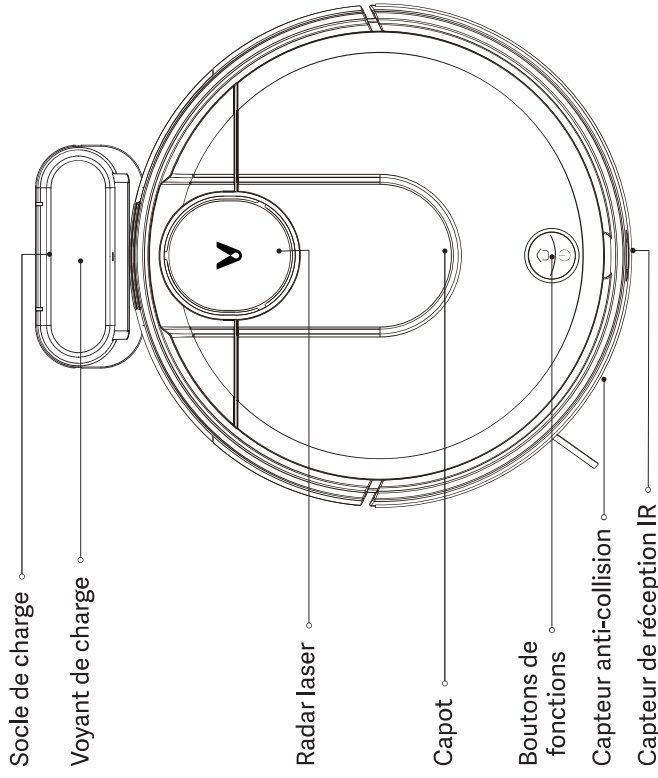
Serpillère mouillée



Serpillère humide

Remarque: les images, les accessoires et l'interface utilisateur qui figurent dans le manuel ne sont donnés qu'à titre de référence. Le produit actuel et les fonctions effectives peuvent varier en raison des améliorations apportées au produit.





## Socle

Appuyez pour renvoyer le robot aspirateur laveur au socle de charge.

## Bouton d'alimentation/nettoyage

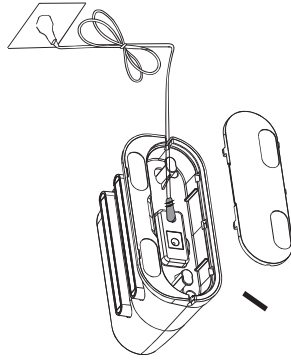
Appuyez pour démarrer ou suspendre le nettoyage.  
Maintenez le bouton enfoncé pendant 3 secondes pour allumer ou éteindre le robot aspirateur laveur.

## État du voyant

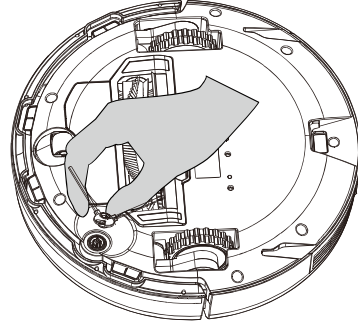
Jaune qui clignote lentement	Retour au socle pour charger/batterie faible	Bleu clignotant	Non connecté au Wi-Fi
Jaune intermittent	Recharge en cours	Bleu qui clignote lentement	En attente de la configuration du réseau
Rouge clignotant	Erreur	Bleu intermittent	Démarrage/mise à jour du micrologiciel en cours
Bleu	allumé/fonctionnement normal/entièrement chargé/connecté au Wi-Fi		

## Installation

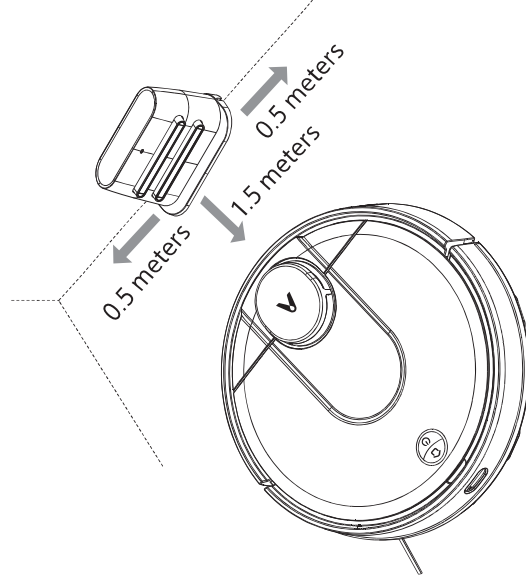
1. Connectez le socle de charge à la prise électrique.





2. Installez la brosse latérale dans le coin supérieur gauche du robot aspirateur laveur, comme indiqué sur la figure. Une brosse latérale supplémentaire est fournie dans l'emballage. Il s'agit d'une pièce de rechange, il n'est donc pas nécessaire de l'installer.



3. Placez le socle de charge sur une surface plane contre un mur.

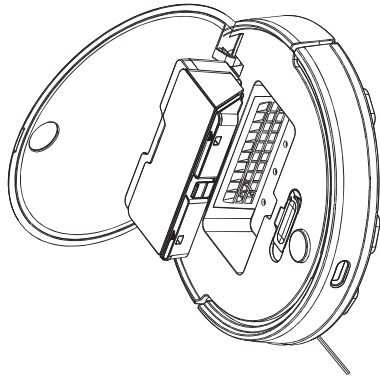


4. Lorsque vous utilisez le robot aspirateur laveur pour la première fois, maintenez le bouton  enfoncé pendant 3 secondes pour le mettre sous tension. Une fois les voyants allumés, placez-le manuellement sur le socle de charge pour le charger. Ensuite, il suffit d'appuyer sur le bouton  pendant le nettoyage pour renvoyer le robot aspirateur laveur au socle de charge automatiquement.

Bleu : allumé/fonctionnement normal/entièrement chargé/connecté au Wi-Fi  
Jaune intermittent : recharge en cours  
Rouge clignotant : erreur

## Installation des accessoires en fonction du mode souhaité

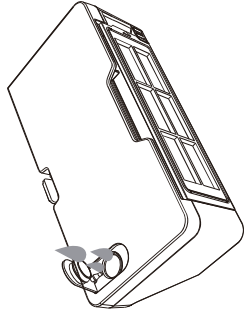
Mode nettoyage : installez le compartiment à réservoir d'eau 2-en-1.



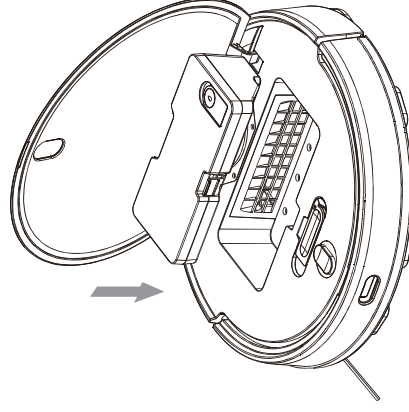
1. Ouvrez le capot du robot aspirateur laveur, puis installez le compartiment à poussière avec réservoir d'eau 2-en-1 en suivant les indications jusqu'à ce qu'il soit bien fixé.

2. Allumez le robot aspirateur laveur. Il est maintenant prêt à nettoyer.

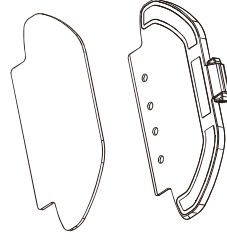
Mode aspirateur et serpillière : installez le compartiment à poussière avec réservoir d'eau 2-en-1, le support de la serpillière et la serpillière.



1. Ouvrez le couvercle du réservoir d'eau, remplissez le réservoir, puis remettez le couvercle en place.

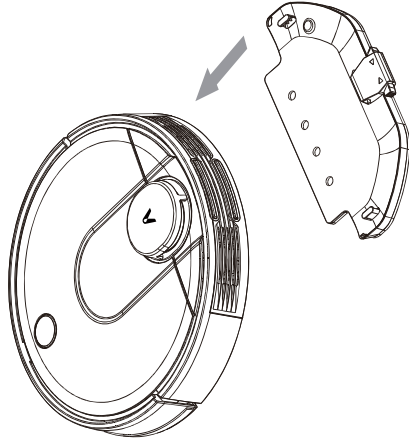


2. Installez le compartiment à poussière avec réservoir d'eau 2-en-1 dans le robot aspirateur laveur jusqu'à ce qu'il soit bien fixé.



3. Fixez la serpillière à son support, puis appuyez sur les bandes Velcro pour bien les attacher.

4. Pincez les clips, installez le support de la serpillière horizontalement au fond du robot aspirateur laveur, comme indiqué sur l'illustration.



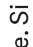

5. Allumez le robot aspirateur laveur. Il est maintenant prêt à aspirer et nettoyer.

### Précautions :


1. N'installez pas le socle de charge dans une zone exposée à la lumière directe du soleil.
2. Assurez-vous de laisser un espace libre de 0,5 mètre ou plus sur les côtés du socle de charge, et de plus de 1,5 mètre à l'avant.
3. Si le robot aspirateur laveur ne peut pas s'allumer parce que la batterie est faible, placez-le directement sur le socle de charge pour le charger.
4. Le robot aspirateur laveur s'allumera automatiquement lorsqu'il sera placé sur le socle de charge.
5. Le robot aspirateur laveur ne peut pas être éteint sur le socle de charge.
6. Retirez le réservoir d'eau et le support de la serpillière lorsque vous rechargez le robot aspirateur laveur ou que vous ne l'utilisez pas.
7. Si un endroit comprend des tapis, utilisez le mur virtuel ou définissez des zones restreintes pour éviter que le robot aspirateur laveur ne se coince dans les tapis.
8. Nettoyez régulièrement le compartiment à poussière pour éviter l'accumulation de saletés, car cela risque de nuire aux performances de nettoyage du robot aspirateur laveur.

# Utilisation

## Allumer/éteindre

Lorsque le robot aspirateur laveur est sur le socle de charge, il est automatiquement allumé et ne peut pas être éteint. Pour mettre manuellement le robot aspirateur laveur sous tension, maintenez le bouton  enfoncé jusqu'à ce que le voyant s'allume. Si le robot aspirateur laveur est en mode veille et n'est pas sur le socle de charge, maintenez le bouton  enfoncé pour l'éteindre.

## Nettoyage

Allumez le robot aspirateur laveur, puis appuyez sur le bouton . Selon l'accessoire installé, le robot aspirateur laveur commencera automatiquement le nettoyage en mode aspirateur ou serpillière.

## Recharge



Allumez le robot aspirateur laveur, puis appuyez sur le bouton  pour le renvoyer au socle de charge.

Une fois le nettoyage terminé, le robot aspirateur laveur retourne automatiquement au socle de charge pour charger. Le voyant clignote en jaune.

Si le niveau de la batterie devient faible pendant le nettoyage, le robot aspirateur laveur revient automatiquement au socle de charge pour charger. Une fois le robot aspirateur laveur entièrement chargé, il reprend le nettoyage là où il s'est arrêté.

Si le robot aspirateur laveur s'éteint automatiquement parce que sa batterie est faible, placez-le manuellement sur le socle de charge en vous assurant que les bornes de charge sont bien branchées.

## Pause

Lorsque le robot aspirateur laveur est en cours d'utilisation, appuyez sur n'importe quel bouton pour le mettre en pause, puis sur le bouton  pour reprendre le nettoyage. Si vous appuyez sur le bouton , vous mettez fin à la tâche de nettoyage en cours et renverrez le robot aspirateur laveur au socle de charge.

## Mode Veille

Le robot aspirateur laveur entrera automatiquement en mode Veille après 5 minutes d'inactivité. Pour le réveiller, appuyez sur n'importe quel bouton ou utilisez l'application.


- Le robot aspirateur laveur n'entrera pas en mode Veille pendant qu'il est sur le socle de charge.
- Le robot aspirateur laveur s'éteindra automatiquement après 12 heures en mode Veille.

## Statut d'erreur

Si le robot aspirateur laveur rencontre une erreur pendant l'opération, le voyant clignotera en rouge et vous entendrez un message d'alerte. Pour rechercher une solution, veuillez consulter la section Dépannage ci-dessous.

Si vous n'effectuez aucune action pendant 5 minutes, le robot aspirateur laveur entre automatiquement en mode Veille.

## Ajouter de l'eau ou nettoyer la serpillière pendant le nettoyage

Si vous devez ajouter de l'eau au robot aspirateur laveur ou nettoyer la serpillière pendant un nettoyage, appuyez sur n'importe quel bouton pour mettre le robot en pause, puis retirez le réservoir d'eau. Après avoir ajouté de l'eau ou nettoyé la serpillière, réinstallez le réservoir d'eau, puis appuyez sur le bouton  pour reprendre le nettoyage.

## Préférences de nettoyage

Quatre modes de nettoyage sont disponibles sur l'application Mi Home/Xiaomi Home : silencieux, standard, medium et turbo. Le mode Standard est défini par défaut.

## Mode Ne pas déranger

En mode Ne pas déranger, le robot aspirateur laveur ne prend pas le nettoyage, n'effectue pas de nettoyage programmé et n'émet aucune alerte vocale. Le mode Ne pas déranger est activé par défaut et peut être désactivé via l'application.

## Reprise du nettoyage

Le robot aspirateur laveur dispose d'une fonctionnalité pour reprendre le nettoyage. Si le niveau de la batterie devient faible pendant le nettoyage, le robot aspirateur laveur revient automatiquement au socle de charge pour charger. Une fois le robot aspirateur laveur entièrement chargé, il reprend le nettoyage là où il s'est arrêté. Le robot aspirateur laveur ne reprendra pas le nettoyage s'il est arrêté manuellement pendant qu'il est en charge.

## Zone prédéfinie

Vous pouvez délimiter une zone prédéfinie grâce à l'application. Le robot aspirateur laveur nettoiera ensuite la zone prédéfinie sélectionnée.

## Nettoyer un endroit

Vous pouvez définir une zone spécifique sur la carte via l'application. Ensuite, le robot aspirateur laveur se déplacera automatiquement dans la zone et nettoiera dans un carré de 2 x 2 mètres.

## Nettoyage programmé

Vous pouvez programmer des horaires de nettoyage via l'application. Le robot aspirateur laveur commencera automatiquement le nettoyage à l'heure définie, puis il retournera au socle de charge une fois qu'il aura terminé.

Remarque : le robot aspirateur laveur ne procédera pas au nettoyage programmé si le mode Ne pas déranger est activé à ce moment.

## Murs virtuels/zones restreintes

Vous pouvez définir des murs virtuels et des zones restreintes via l'application afin d'éviter que le robot aspirateur laveur n'entre dans des zones que vous ne souhaitez pas nettoyer.

## Cartographie intelligente

Vous pouvez activer la cartographie intelligente via l'application. Cette fonction permet de mettre à jour automatiquement la carte du robot aspirateur laveur une fois le nettoyage terminé et le robot rechargé.

## Connexion avec l'application Mi Home/Xiaomi Home

Ce produit fonctionne avec l'application Mi Home/Xiaomi Home\*. Contrôlez et interagissez avec votre appareil ainsi que d'autres appareils domotiques intelligents avec l'application Mi Home/Xiaomi Home.



Scannez le code QR pour télécharger et installer l'application. Vous serez redirigé vers la page de configuration si l'application est déjà installée. Sinon, recherchez « Mi Home/Xiaomi Home » dans l'App Store pour la télécharger et l'installer.

Ouvrez l'application Mi Home/Xiaomi Home, touchez l'icône « + » en haut à droite et suivez les invites pour ajouter votre appareil.

\* Cette application est appelée l'application Xiaomi Home en Europe (sauf en Russie). Le nom de l'application qui s'affiche sur votre appareil devrait être utilisé comme nom par défaut.

Remarque :

la version de l'application a été mise à jour. Suivez les instructions basées sur la version actuelle de l'application.

### Réinitialisation du Wi-Fi

Lorsque vous changez votre routeur ou le mot de passe du Wi-Fi, vous devez réinitialiser la connexion Wi-Fi du robot aspirateur laveur. Allumez le robot aspirateur laveur, puis maintenez enfoncés simultanément les boutons  et  pendant 3 secondes jusqu'à ce que vous entendiez le message vocal « en attente de la configuration du réseau ». Une fois la connexion Wi-Fi réinitialisée, vous pouvez reconnecter le robot aspirateur laveur.

Remarque : seuls les réseaux Wi-Fi 2,4 GHz sont pris en charge.

### Restauration des paramètres d'usine

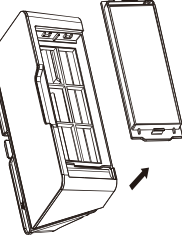
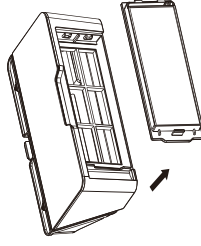
Maintenez le bouton  enfoncé pendant 5 secondes. Lorsque vous entendez le message vocal « les paramètres d'usine vont être restaurés », maintenez à nouveau le bouton  enfoncé pendant 5 secondes jusqu'à ce que vous entendiez « restauration des paramètres d'usine ». Une fois les paramètres d'usine restaurés, toutes les données d'utilisateur seront effacées et vous entendrez le message vocal « restauration des paramètres d'usine réussie ».



# Entretien et maintenance

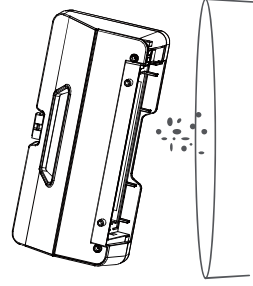
## Compartiment à poussière avec réservoir d'eau 2-en-1

1. Ouvrez le capot du robot aspirateur laveur, retirez le compartiment à poussière avec réservoir d'eau 2-en-1, puis retirez le filtre comme indiqué sur la figure.



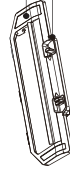
Pour nettoyer le filtre du compartiment à poussière et du compartiment à poussière avec réservoir d'eau 2-en-1, retirez-le en suivant les indications du diagramme.

- Après avoir nettoyé le filtre avec de l'eau, assurez-vous de soigneusement le sécher avant de le réinstaller sur le compartiment à poussière ou le compartiment à poussière avec réservoir d'eau 2-en-1.
- Afin d'éviter toute obstruction du filtre, il est recommandé de le nettoyer régulièrement à l'aide de la brosse de nettoyage.
- Il est recommandé de remplacer le filtre tous les 3 à 6 mois.



2. Videz le contenu du compartiment à poussière. Nettoyez-le à l'aide de la brosse de nettoyage, puis réinstallez le filtre en l'alignant correctement.

## Brosse principale



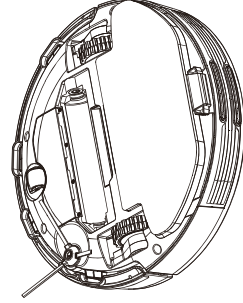
Grillage de protection de la brosse principale  
Clips



Brosse principale



Paliers de la brosse principale



1. Retournez le robot aspirateur laveur et pincez les clips pour retirer le grillage de protection de la brosse principale.
2. Retirez la brosse principale et nettoyez ses paliers.
3. Utilisez la brosse de nettoyage pour nettoyer la brosse principale.
4. Réinstallez la brosse principale et ses paliers, puis remplacez le grillage de protection en appuyant dessus pour bien le fixer.

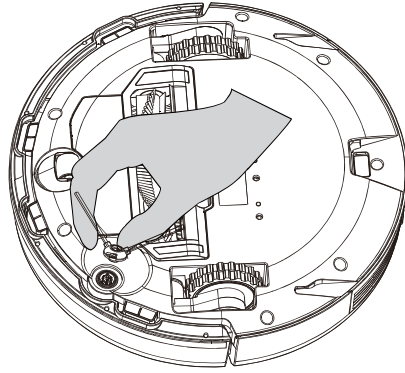
Remarque : il est recommandé de remplacer la brosse principale tous les 6 à 12 mois pour un nettoyage optimal.



## Brosses latérales

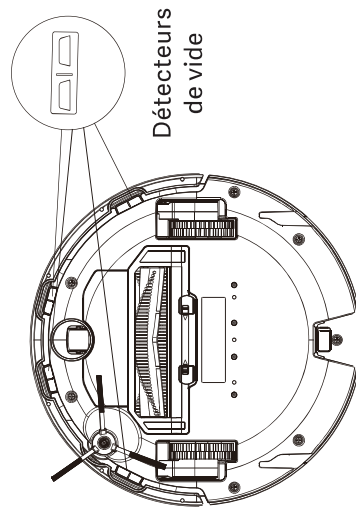
Retirez et nettoyez régulièrement la brosse latérale.

Il est recommandé de remplacer la brosse latérale tous les 3 à 6 mois pour un nettoyage optimal.



## Détecteurs de vide

Nettoyez les détecteurs de vide tous les trois mois à l'aide d'un chiffon doux.



Panne	Causes possibles
Le robot aspirateur laveur ne s'allume pas	<ol style="list-style-type: none"> <li>1. Le niveau de batterie est faible. Chargez le robot aspirateur laveur, puis réessayez.</li> <li>2. La température ambiante est trop basse (inférieure à 0 °C) ou trop élevée (supérieure à 40 °C).</li> </ol>
Le robot aspirateur laveur ne commence pas le nettoyage	Le niveau de batterie est faible. Chargez le robot aspirateur laveur, puis réessayez.
Le robot aspirateur laveur ne retourne pas au socle de charge	<ol style="list-style-type: none"> <li>1. Il y a trop d'obstacles autour du socle de charge. Placez le socle de charge dans une zone plus ouverte.</li> <li>2. Le robot aspirateur laveur est trop éloigné du socle de charge. Rapprochez-le du socle de charge et réessayez.</li> </ol>
Le robot aspirateur laveur ne fonctionne pas correctement	Éteignez le robot aspirateur laveur, puis rallumez-le.
Le robot aspirateur laveur émet un bruit étrange	Un objet étranger peut être coincé dans la brosse principale, la brosse latérale ou la roue gauche/droite. Éteignez le robot aspirateur laveur et enlevez les débris.
Le robot aspirateur laveur ne nettoie plus correctement ou n'élimine pas toute la poussière	<ol style="list-style-type: none"> <li>1. Le compartiment à poussière est plein. Veuillez vider son contenu.</li> <li>2. Le filtre est obstrué. Veuillez le nettoyer.</li> <li>3. Un objet étranger est coincé dans la brosse principale. Veuillez la nettoyer.</li> </ol>
Panne	Causes possibles
Le robot aspirateur laveur ne peut pas se connecter au Wi-Fi	<ol style="list-style-type: none"> <li>1. Le signal Wi-Fi est faible. Assurez-vous que le robot aspirateur laveur est dans une zone offrant une bonne couverture Wi-Fi.</li> <li>2. Un problème avec la connexion Wi-Fi est survenu. Réinitialisez le Wi-Fi et téléchargez la dernière version de l'application, puis essayez de vous reconnecter.</li> </ol>
Le robot aspirateur laveur ne reprend pas le nettoyage	<ol style="list-style-type: none"> <li>1. Assurez-vous que le robot aspirateur laveur n'est pas en mode Ne pas déranger, car cela l'empêcherait de reprendre le nettoyage.</li> <li>2. Le robot aspirateur laveur ne reprend pas le nettoyage après avoir été placé sur le socle de charge ou chargé manuellement.</li> </ol>
Le robot aspirateur laveur ne retourne pas au socle de charge après avoir été déplacé	Déplacer le robot aspirateur laveur sur une trop longue distance peut l'obliger à cartographier à nouveau ses environs. Si le robot aspirateur laveur est trop éloigné du socle de charge, il ne pourra pas y retourner automatiquement. Vous devez alors le placer manuellement sur le socle de charge.
Le robot aspirateur laveur ne charge pas	Veillez à laisser suffisamment d'espace autour du socle de charge. Assurez-vous également que ses contacts de charge ne contiennent pas de saletés ou d'autres débris.

---

## Panne Causes possibles

---

<p>Le robot aspirateur laveur n'effectue pas le nettoyage programmé</p>	<p>Vérifiez que le robot aspirateur laveur est connecté au réseau. Dans le cas contraire, il ne pourra pas se synchroniser avec l'application et effectuer des nettoyages programmés.</p>
<p>Le robot aspirateur laveur se déconnecte systématiquement</p>	<p>Vérifiez que le robot aspirateur laveur est connecté au réseau et qu'il reste toujours à portée du Wi-Fi.</p>
<p>Le robot aspirateur laveur ne peut pas être connecté à « viomi-vacuum-v19_miapXXXX » via l'application</p>	<p>Assurez-vous que le socle de charge et le robot aspirateur laveur sont à portée du Wi-Fi et qu'ils bénéficient d'un signal correct. Suivez les instructions du manuel d'utilisation si vous souhaitez réinitialiser la connexion Wi-Fi et apparier à nouveau le robot aspirateur laveur.</p>

---

# Dépannage

Panne	Solution	Panne	Solution
Erreur 1 : Assurez-vous que le capteur laser de distance n'est pas obstrué.	Enlevez tous les objets étrangers susceptibles de bloquer ou obstruer le capteur laser de distance, ou déplacez le robot aspirateur laveur à un autre endroit, puis réactivez-le.	Erreur 7 : Posez le robot aspirateur laveur sur un sol plat, puis réactivez-le. Vous pouvez également réinitialiser le niveau du robot aspirateur laveur via l'application, puis le réactiver.	Le robot aspirateur laveur est incliné au démarrage. Posez le robot aspirateur laveur sur un sol plat, puis réactivez-le. Vous pouvez également réinitialiser le niveau du robot aspirateur laveur via l'application, puis le réactiver.
Erreur 2 : Essuyez le détecteur de vide, déplacez le robot aspirateur laveur à un autre endroit, puis réactivez-le.	Une partie du robot aspirateur laveur n'est pas en contact avec le sol, repositionnez-le, puis réactivez-le. Le détecteur de vide est sale, essuyez-le.	Erreur 8 : Réinstallez le compartiment à poussière et le filtre.	Assurez-vous que le compartiment à poussière et le filtre sont bien installés. Si l'erreur persiste, essayez de remplacer le filtre.
Erreur 3 : Un champ magnétique puissant est détecté. Éloignez le robot aspirateur laveur de tout mur virtuel, puis réactivez-le.	Le robot aspirateur laveur est peut-être trop proche d'un mur virtuel. Déplacez-le à un autre endroit, puis réactivez-le.	Erreur 9 : Déplacez le robot aspirateur laveur à un autre endroit, puis réactivez-le.	Une roue ne touche peut-être pas le sol. Repositionnez le robot aspirateur laveur, puis réactivez-le.
Erreur 4 : Retirez tous les objets étrangers du capteur anti-collision.	Le capteur anti-collision est peut-être bloqué. Tapotez-le délicatement plusieurs fois pour retirer les objets étrangers. Si rien ne tombe, déplacez le robot aspirateur laveur à un autre endroit, puis réactivez-le.	Erreur 10 : Retirez tous les obstacles autour du robot aspirateur laveur.	Le robot aspirateur laveur peut être bloqué. Retirez tous les obstacles qui se trouvent autour.
Erreur 5 : La température de fonctionnement du robot aspirateur laveur est anormale.	La température de fonctionnement du robot aspirateur laveur est trop élevée ou trop basse. Attendez que la température redevienne normale, puis réessayez.	Erreur 11 : Assurez-vous que le réservoir d'eau est correctement installé.	Assurez-vous que le réservoir d'eau ou le compartiment à poussière avec réservoir d'eau 2-en-1 est correctement installé.
Erreur 6 : Erreur de charge. Essayez de nettoyer les contacts de charge.	Nettoyez les contacts de charge sur le socle de charge et le robot aspirateur laveur à l'aide d'un chiffon sec.	Erreur 12 : Assurez-vous que la serpillière est correctement installée.	Assurez-vous que le support de la serpillière et la serpillière sont correctement installés.
		Erreur 13 : Impossible de revenir au socle de charge.	Placez le robot aspirateur laveur sur le socle de charge.
		Erreur 14 : Batterie faible. Veuillez la recharger.	Placez le robot aspirateur laveur sur le socle de charge, puis réactivez-le une fois qu'il est entièrement chargé.
		Erreur 15 : Retirez la serpillière.	Retirez la serpillière et le support, puis réactivez le robot aspirateur laveur.

## Caractéristiques

### Robot aspirateur laveur

Modèle	V-RVCLM21A
Dimensions	φ 350 × 94,5 mm
Tension d'entrée nominale	20 V $\overline{\text{---}}$
Courant nominal à l'entrée	1,2 A
Potenza nominale	33 W
Puissance nominale	3200 mAh
Tension de batterie	14,8 V $\overline{\text{---}}$ / 14,6 V $\overline{\text{---}}$
Poids net	4,4 kg
Connectivité sans fil	Wi-Fi IEEE 802.11 b g/n 2,4 GHz

### Socle de charge

Modèle	V-RVCLM21A
Tension de sortie nominale	20 V $\overline{\text{---}}$
Courant de sortie nominal	1,2 A
Dimensions	152 × 74,6 × 99,5 mm

### Adaptateur d'alimentation

Modèle	NLD120200W1U4
Entrée	100-240 V $\overline{\text{---}}$ , 50/60 Hz, 0,6 A
Sortie	20 V $\overline{\text{---}}$ 1,2 A

## Vorsichtsmaßnahmen

### Nutzungseinschränkungen

- Dieses Gerät ist nicht für die Nutzung durch Personen (inklusive Kinder) mit eingeschränkten körperlichen, sensorischen oder mentalen Fähigkeiten, oder für Personen mit einem Mangel an Erfahrung und Wissen geeignet, es sei denn, diese werden beaufsichtigt oder erhalten von einer Person, die für die Sicherheit dieser Person(en) verantwortlich ist, eine Anleitung bezüglich der Bedienung des Gerätes.
- Kinder sollten beaufsichtigt werden, damit sichergestellt ist, dass diese nicht mit dem Gerät spielen.
- Die Reinigung und Wartung darf von Kindern nur unter Aufsicht vorgenommen werden (EU).
- Halten Sie den Hauptbürstenreiniger von Kindern fern.
- Halten Sie Ihre Haare, Kleidung, Finger und sämtliche anderen Körperteile von den Öffnungen und beweglichen Teilen fern.
- Benutzen Sie den Staubsauger-Wischer nicht zum Entfernen brennender Substanzen.
- Heben Sie den Staubsauger-Wischer nicht an seiner Laserradarabdeckung an.
- Stellen Sie sicher, dass der Staubsauger-Wischer ausgestellt und die Ladestation vom Netz abgetrennt ist, bevor Sie Reinigungs- oder Wartungsarbeiten durchführen.
- Dieser Staubsauger-Wischer ist nur für die Bodenreinigung in Hausumgebung geeignet. Nutzen Sie ihn nicht außerhalb, beispielsweise auf Balkonen oder Oberflächen, welche kein Boden sind wie z. B. ein Sofa, oder in gewerblichen oder industriellen Umgebungen.
- Nutzen Sie den Staubsauger-Wischer nicht in einer über dem Boden liegenden Ebene, wie auf Dachböden, offenen Balkonen oder Möbeln, es sei denn, es ist eine Schutzbarriere vorhanden.
- Nutzen Sie den Staubsauger-Wischer nicht in Umgebungen, in denen die Temperaturen über 40 °C oder unter 0 °C liegen, und auch nicht auf Böden mit Flüssigkeiten oder klebrigen Substanzen.
- Heben Sie Kabel vom Boden auf, bevor Sie den Staubsauger-Wischer benutzen, um zu verhindern, dass diese während der Reinigung mitgezogen werden.
- Heben Sie zerbrechliche oder lose Gegenstände vom Boden auf, beispielsweise Vasen oder Plastiktüten, um zu verhindern, dass der Staubsauger-Wischer behindert wird oder gegen diese läuft und Schaden verursacht werden.
- Kinder, Haustiere oder andere Gegenstände dürfen weder auf dem stillstehenden noch dem sich bewegenden Staubsauger-Wischer positioniert werden.
- Benutzen Sie den Staubsauger-Wischer nicht zum Reinigen von Teppichboden.
- Lassen Sie nicht zu, dass der Staubsauger-Wischer harte oder spitze Gegenstände wie z. B. Baumaterial, Glas und Nägel aufsaugt.
- Sprühen Sie keine Flüssigkeiten in das Innere des Staubsauger-Wischers (achten Sie darauf, dass der Staubbehälter ganz trocken ist, bevor Sie ihn wieder einsetzen).
- Stellen Sie den Staubsauger-Wischer nicht auf den Kopf (das Gehäuse des Laserradars darf den Boden niemals berühren).
- Bitte verwenden Sie dieses Produkt gemäß den Anweisungen in der Bedienungsanleitung oder dem Schnellstartleitfaden. Der Benutzer ist für jeglichen Verlust oder Schaden verantwortlich, der aufgrund einer unsachgemäßen Verwendung dieses Produkts entsteht.