

ELECTRIC GRINDER

USER MANUAL

Important Safety Information Inside!

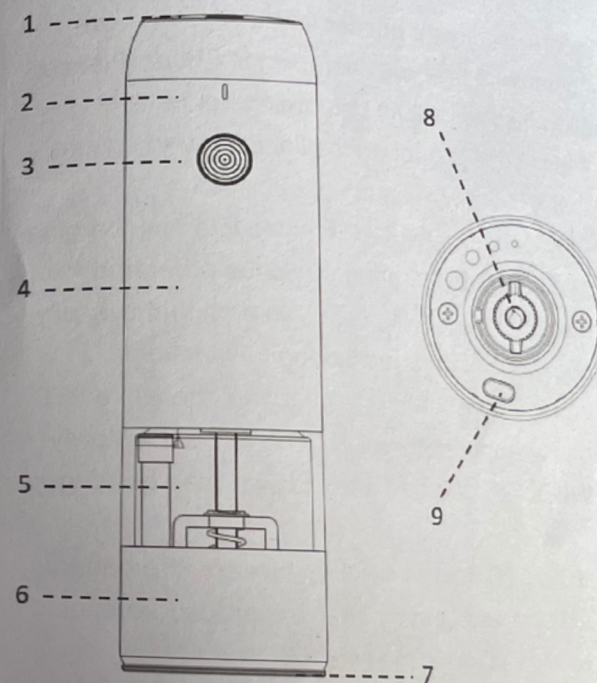
Read all instructions before using.
Use only as directed.

IMPORTANT SAFE GUIDE

When using electrical appliances, basic safety precautions should always be followed including the following:

- Do not put the appliance in water or any other liquid, this may cause personal injury and/or flammable fumes.
- To protect against fire, do not operate the unit in the presence of hazardous materials and/or extreme temperatures.
- This product is intended for normal domestic household use only. Do not use the grinder for anything other than for its intended use.
- For indoor use only. Do not expose this product to rain or other extreme conditions.
- Never force the grinder to tighten or twist it or attempt to speed up the mechanism.
- Do not attempt to disassemble the product by yourself, otherwise warranty will be invalid.
- When recharging the electric grinder keep your workspace free from potential hazards.
- The product is designed for grinding pepper and salt only, please do not use for other purposes.
- Keep the grinder out of the reach of children.

PRODUCT DESCRIPTION



- | | |
|------------------|---------------|
| 1. Charging Port | 6. Lower Body |
| 2. LED Indicator | 7. Cover |
| 3. On/Off Button | 8. Adjuster |
| 4. Upper Body | 9. Light |
| 5. Container | |

RECHARGING YOUR GRINDER

Before using your grinder for the first time, we recommend that you charge it for 1 hour. Please follow instructions for recharging below:

- Place your grinder on the flat table and ensure that it is firmly in an upright position.
- Plug one end of the USB cable into the charging port on the top of grinder and the other end into a USB Type A receptacle. Confirm that it is fully engaged with the recharging connections.
- When your grinder is in charging, the white LED on the upper body will light up and blink slowly.
- When fully charged, the LED will stop blinking.

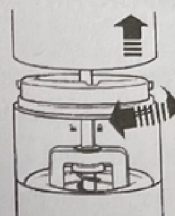
* If the LED flashes quickly, it means the battery almost used up. The charging procedure should be carried out immediately.

* When the LED flashes quickly, the grinder can still work for about 2 minutes.

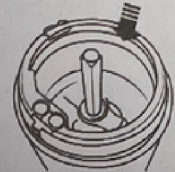
* Please charge the battery to 50%-80% capacity every 3 months if you do not use it for a long time.

HOW TO USE

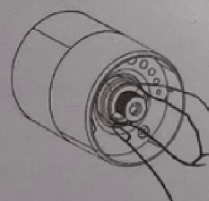
Rotate and open the container according to the indication icons



Fill salt or pepper into container, connect and lock the upper and lower bodies rotate in reverse.

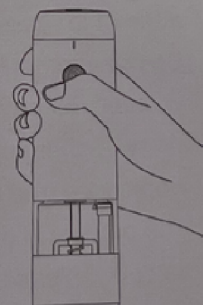


Remove the cover and rotate the adjuster to adjust the grinding coarseness according to personal needs.



Press the button and the grinder will start working.

Release the button and the grinder stops working.



TROUBLE SHOOTING

If the grinder does not work or stops during the grinding process, please confirm if there is sufficient battery power left.

If the LED is always on when the button is pressed, and the grinder still does not work normally, please contact the seller for maintenance.

PARAMETERS

Product Dimensions	Φ48*168 mm
Product Weight	260g±10g
Battery Type	500 mAh Lithium battery
Battery Life	Grind pepper for 20 min when fully charged
Input Voltage /Power	DC 5V 10W
Charging Time	1 Hour
Container Capacity	28g (white pepper)
Unload Noise	<65 dB