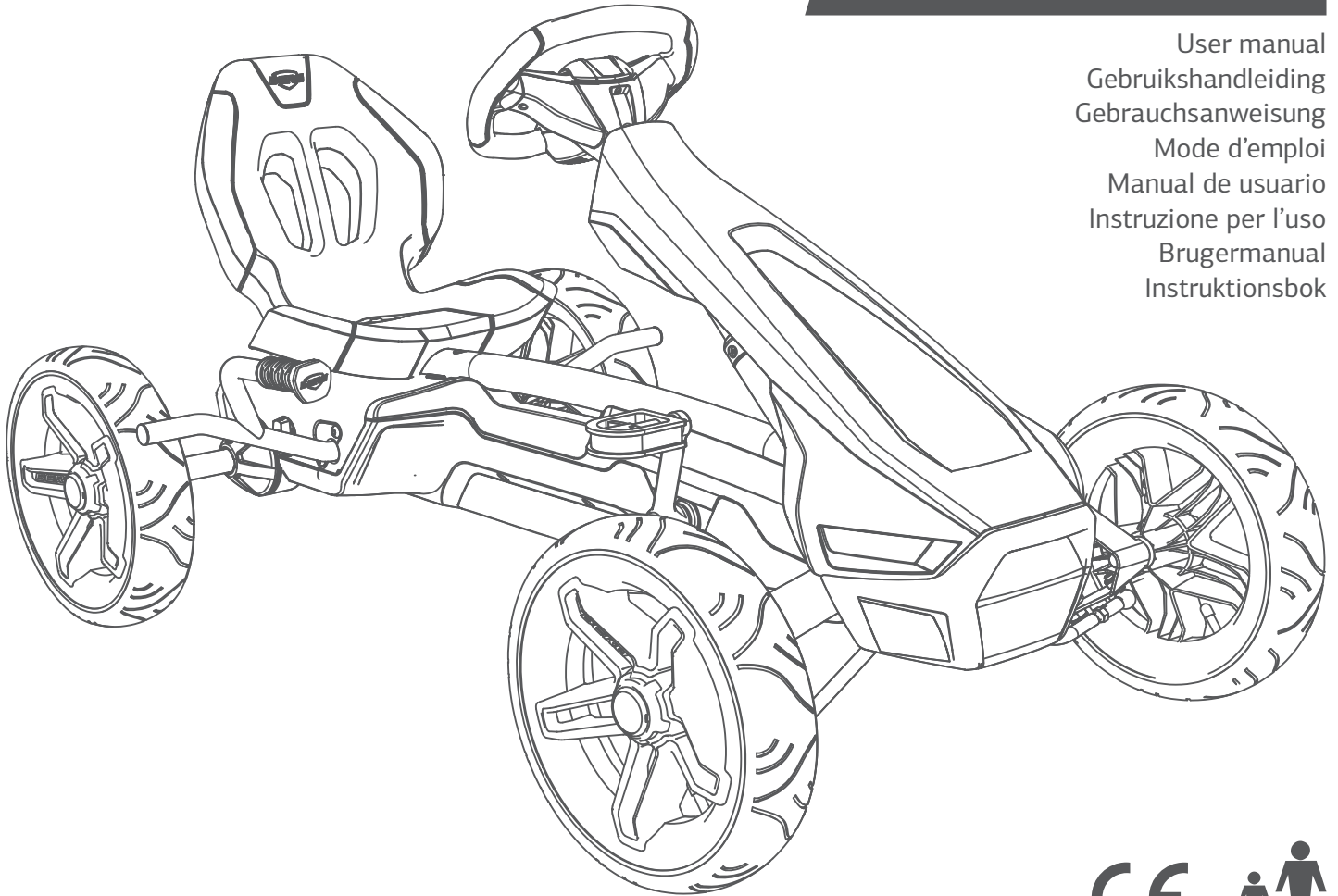




BERG Rally NRG Orange



User manual
Gebruikshandleiding
Gebrauchsanweisung
Mode d'emploi
Manual de usuario
Istruzione per l'uso
Brugermanual
Instruktionsbok



⚠ WARNING

Not suitable for children under three years
Choking hazard - Small parts
Adult assembly required
Keep the user manual for future reference

⚠ ADVERTENCIAS

No conviene para niños menores de tres años.
Peligro de atragamiento - Partes pequeñas
Se requiere ensamblaje por un adulto
Conservar las instrucciones para uso futuro

⚠ WAARSCHUWING

Niet geschikt voor kinderen jonger dan drie jaar
Verstikkingsgevaar - Kleine delen
Te monteren door een volwassene
Bewaar de gebruikshandleiding voor toekomstig gebruik

⚠ ATTENZIONE

Non adatto a bambini di età inferiore a 3 anni
Rischio di soffocamento - Piccole parti
Richiesto assemblaggio da parte di un adulto
Conservare le istruzioni per un uso future.

⚠ ACHTUNG

Nicht für Kinder unter drei Jahren geeignet
Erstickungsgefahr - Kleine Teile
Der Zusammenbau ist durch einen Erwachsenen vorzunehmen
Bewahren Sie die Anleitung für die zukünftige Verwendung

⚠ ADVARSLER

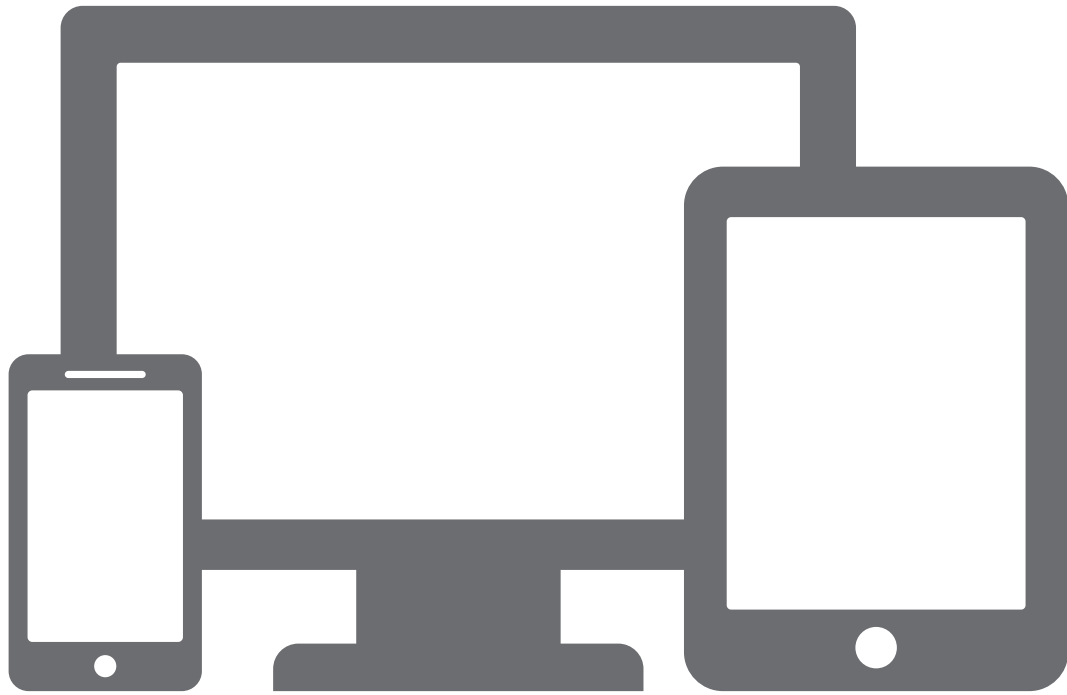
Ikke egnet til børn under 3 år
Kvælningsfare - Små dele
Skal samles af en voksen
Gem brugervejledningen til fremtidig reference

⚠ ATTENTION

Ne convient pas aux enfants de moins de trois ans
Danger d'étouffement - Petits éléments
Assemblage par un adulte requis
Conserver la mode d'emploi pour utilisation future

⚠ VARNINGAR

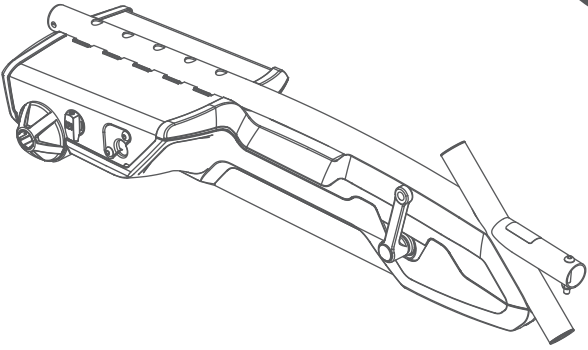
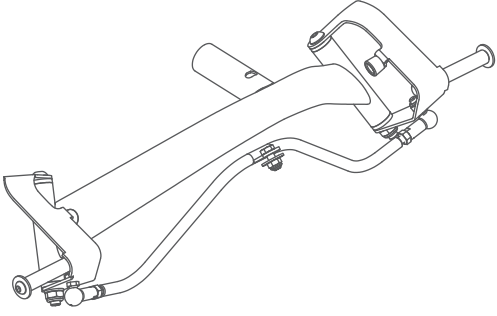
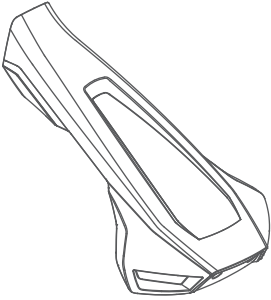
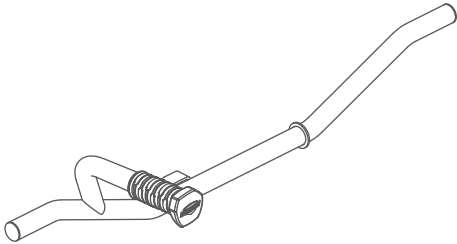
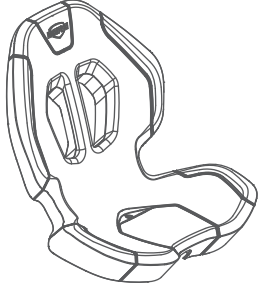
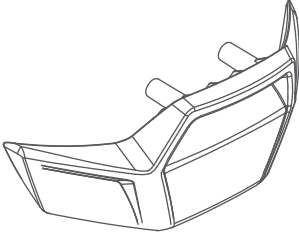
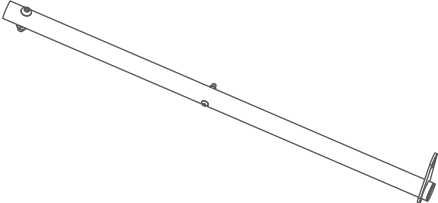
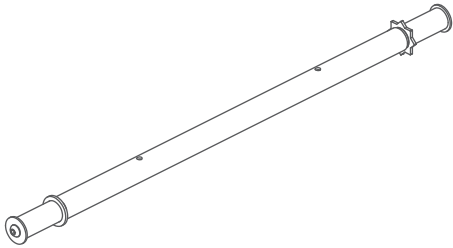

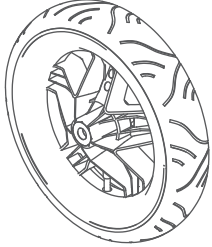
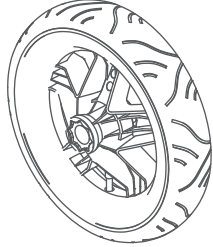
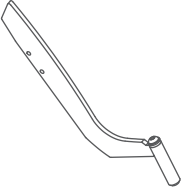
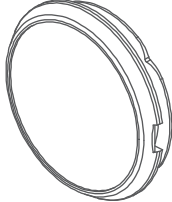
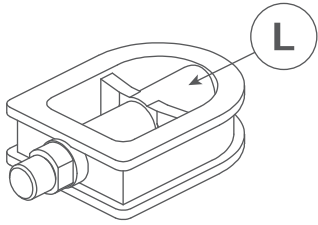
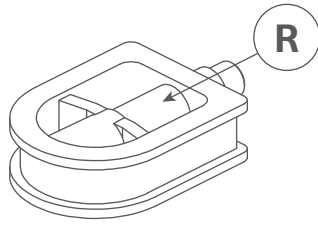

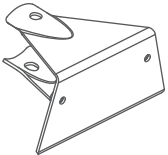
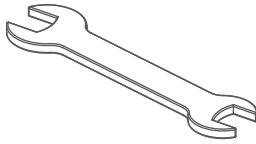
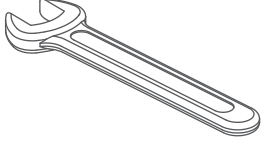
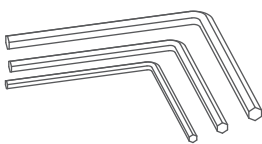
Inte lämplig för barn under tre år
Kvävningrisk - Små delar
Montering av en vuxen krävs
Behåll användarmanualen för framtida bruk



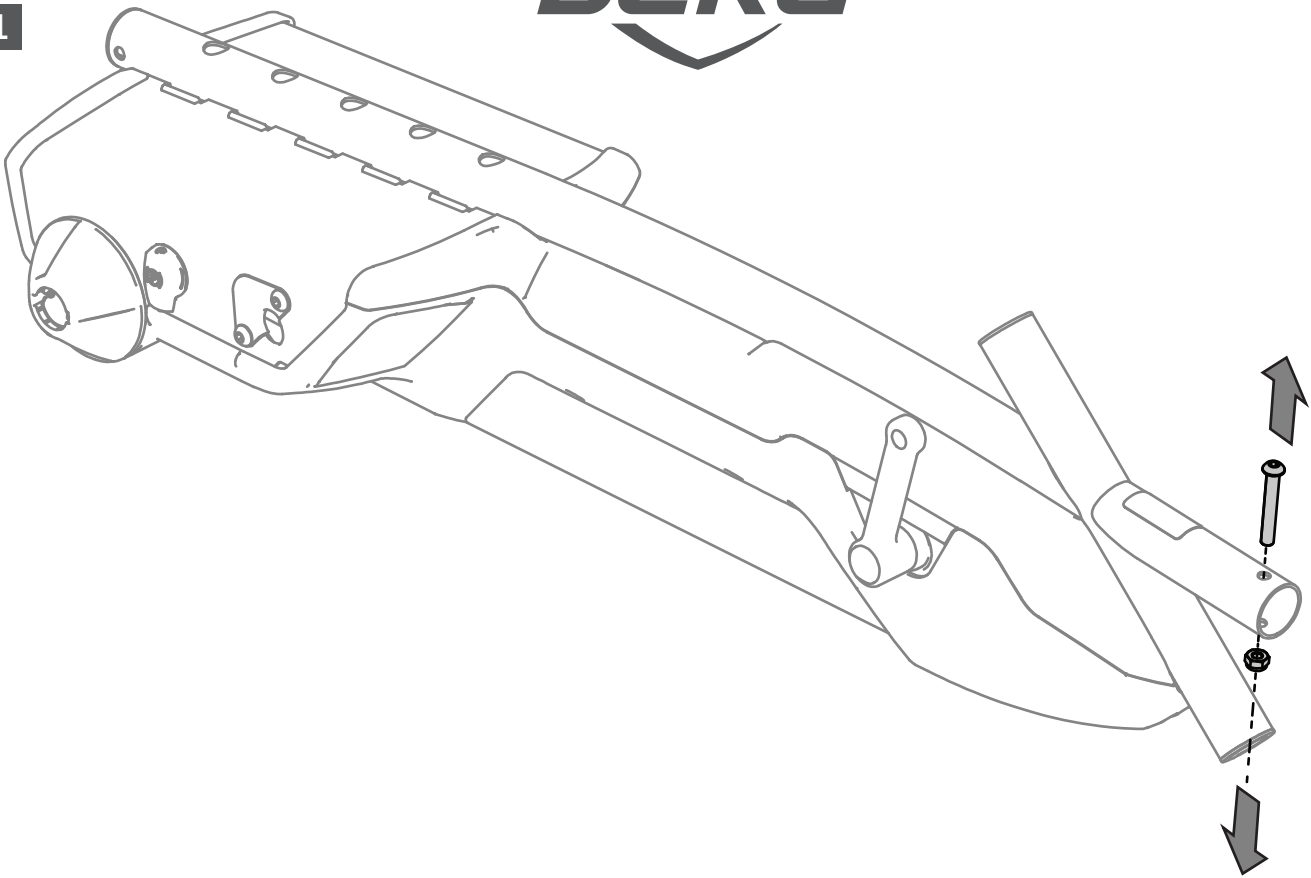
Go to the BERG toys channel on



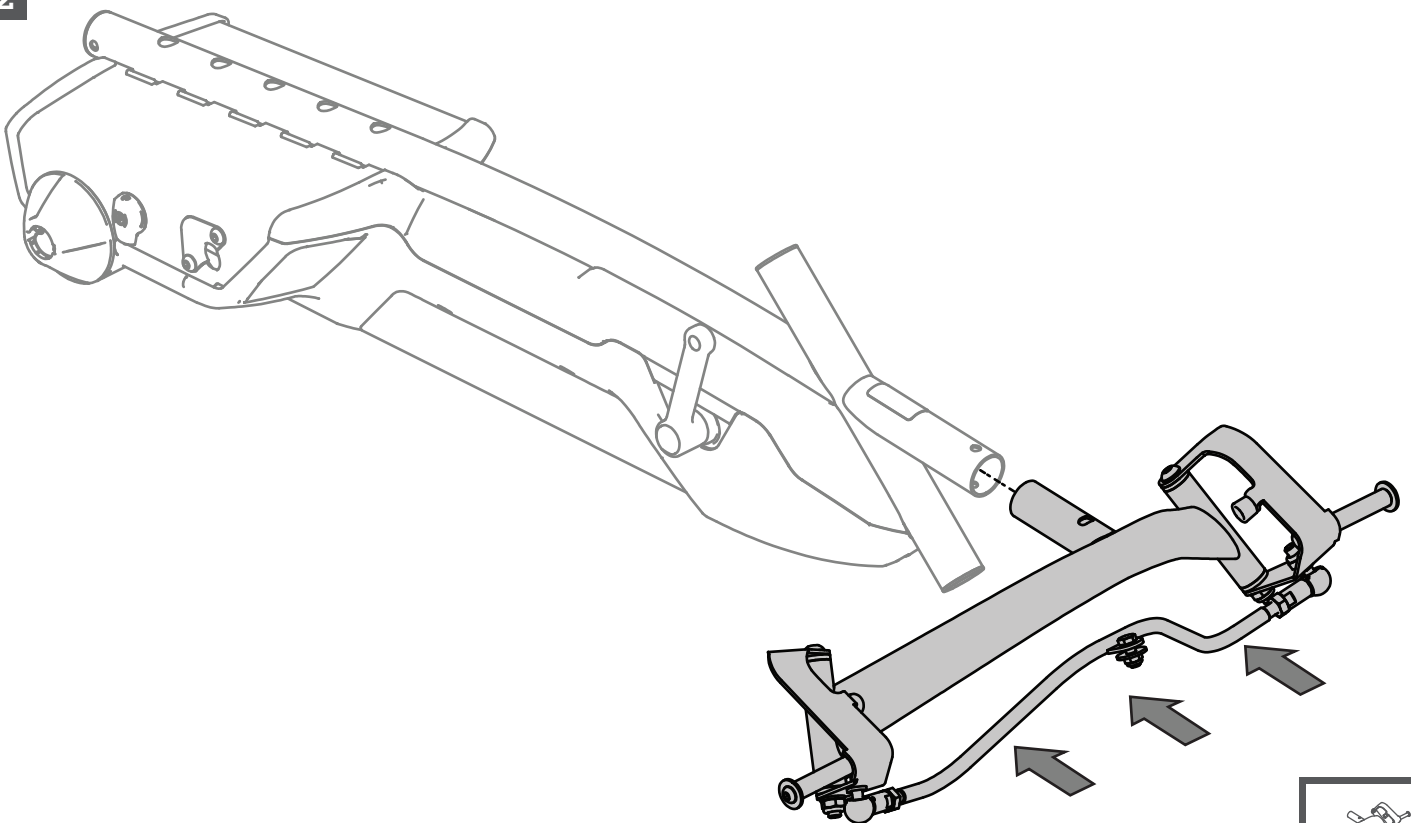
for installation instruction video's
www.youtube.com/bergtoys

				
1	1x	2	1x	
				
3	1x	4	1x	
				
6	1x	7	1x	
				
9	1x	10	2x	
				
12	1x	13	4x	
				
16	1x	17	1x	
18	1x	19	1x	
20	3x			

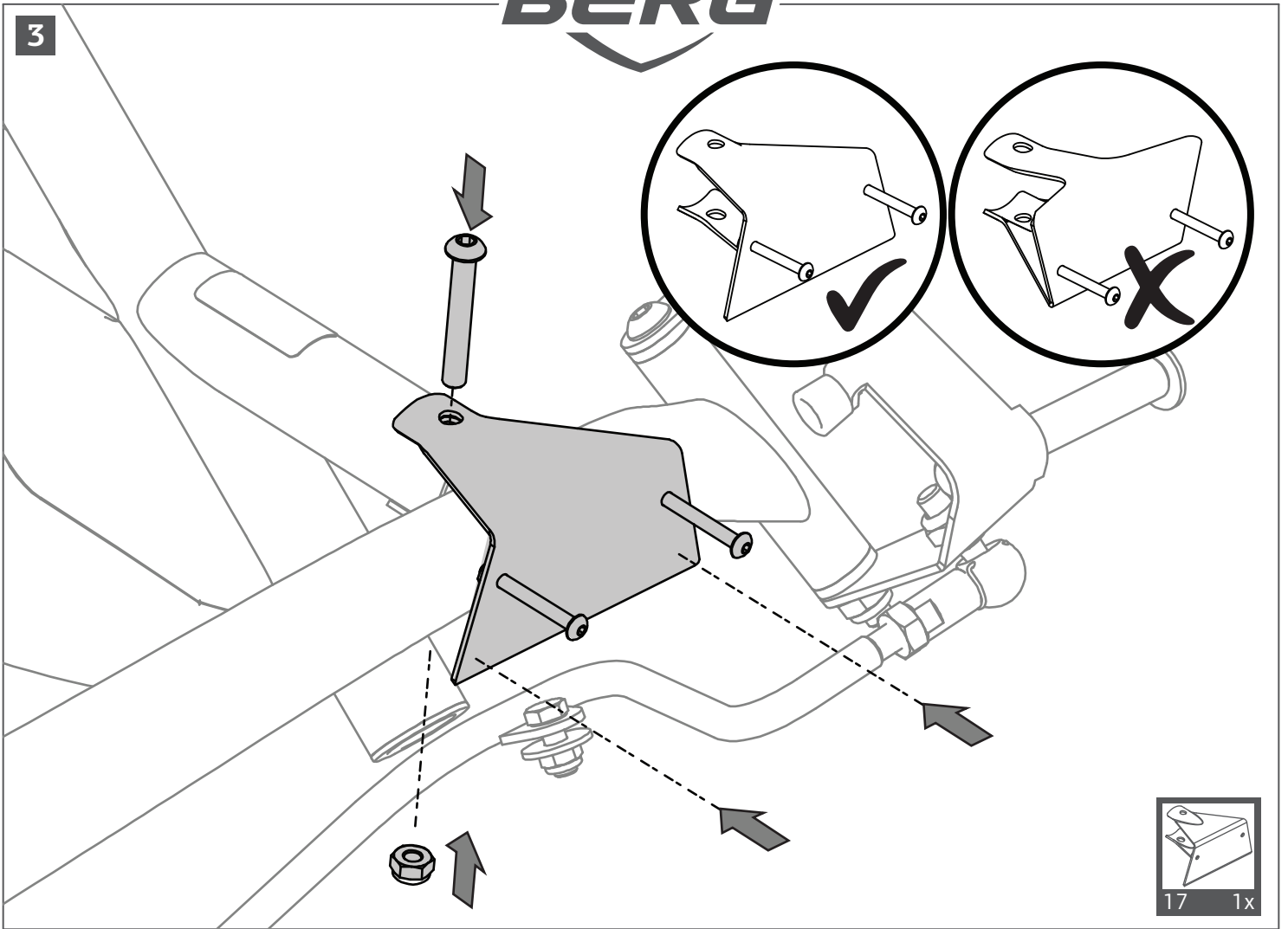
1



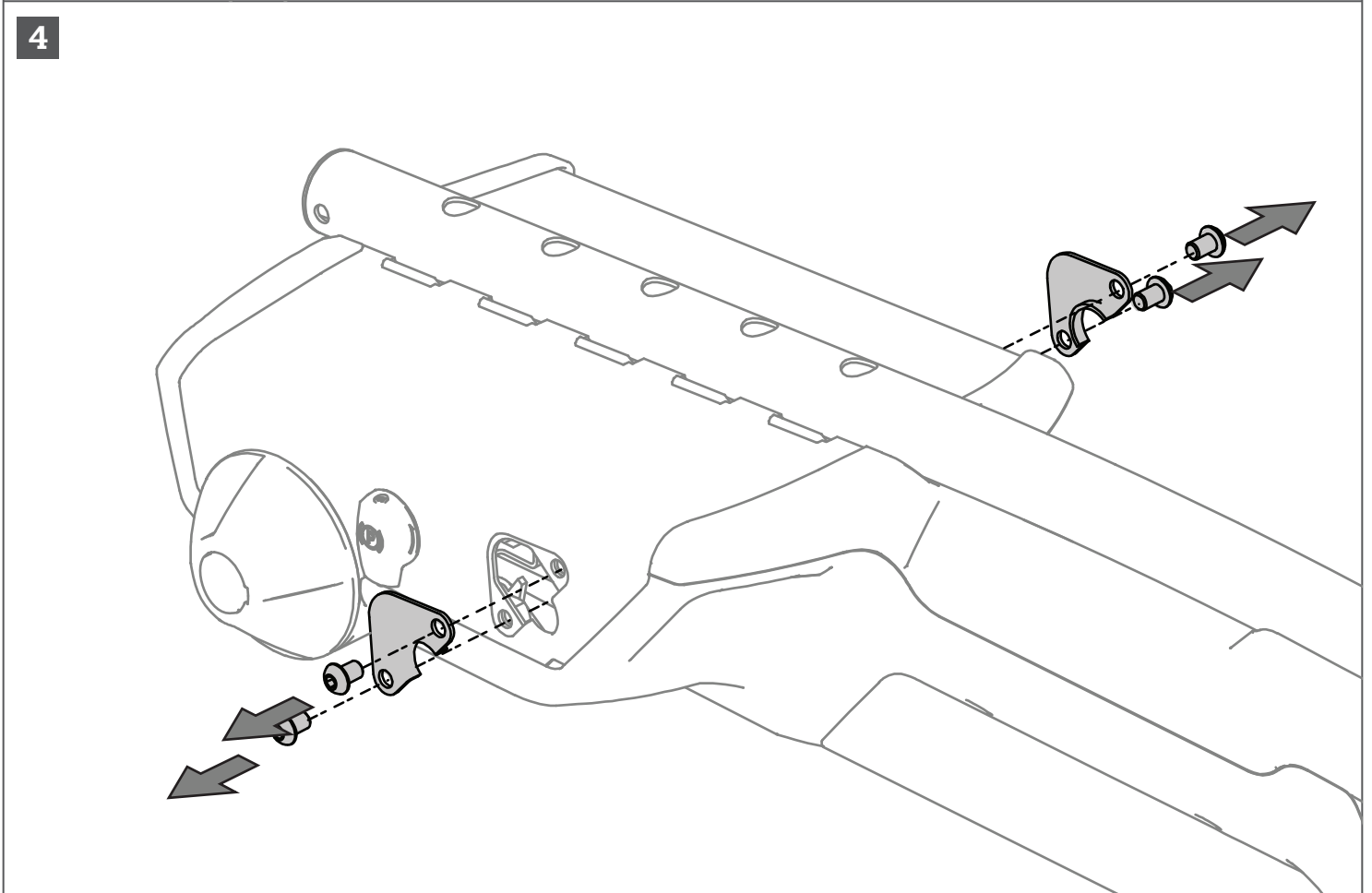
2



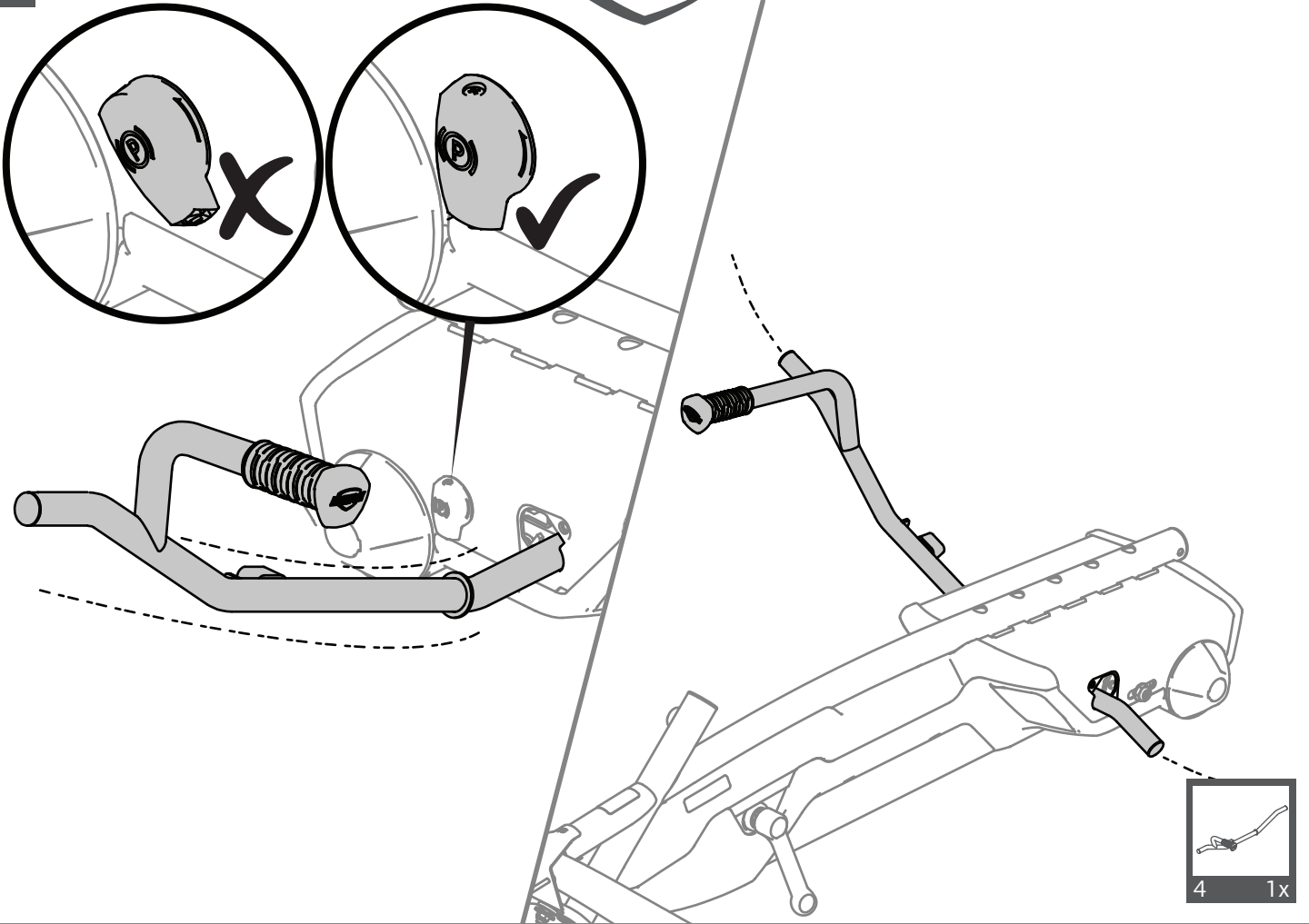
3



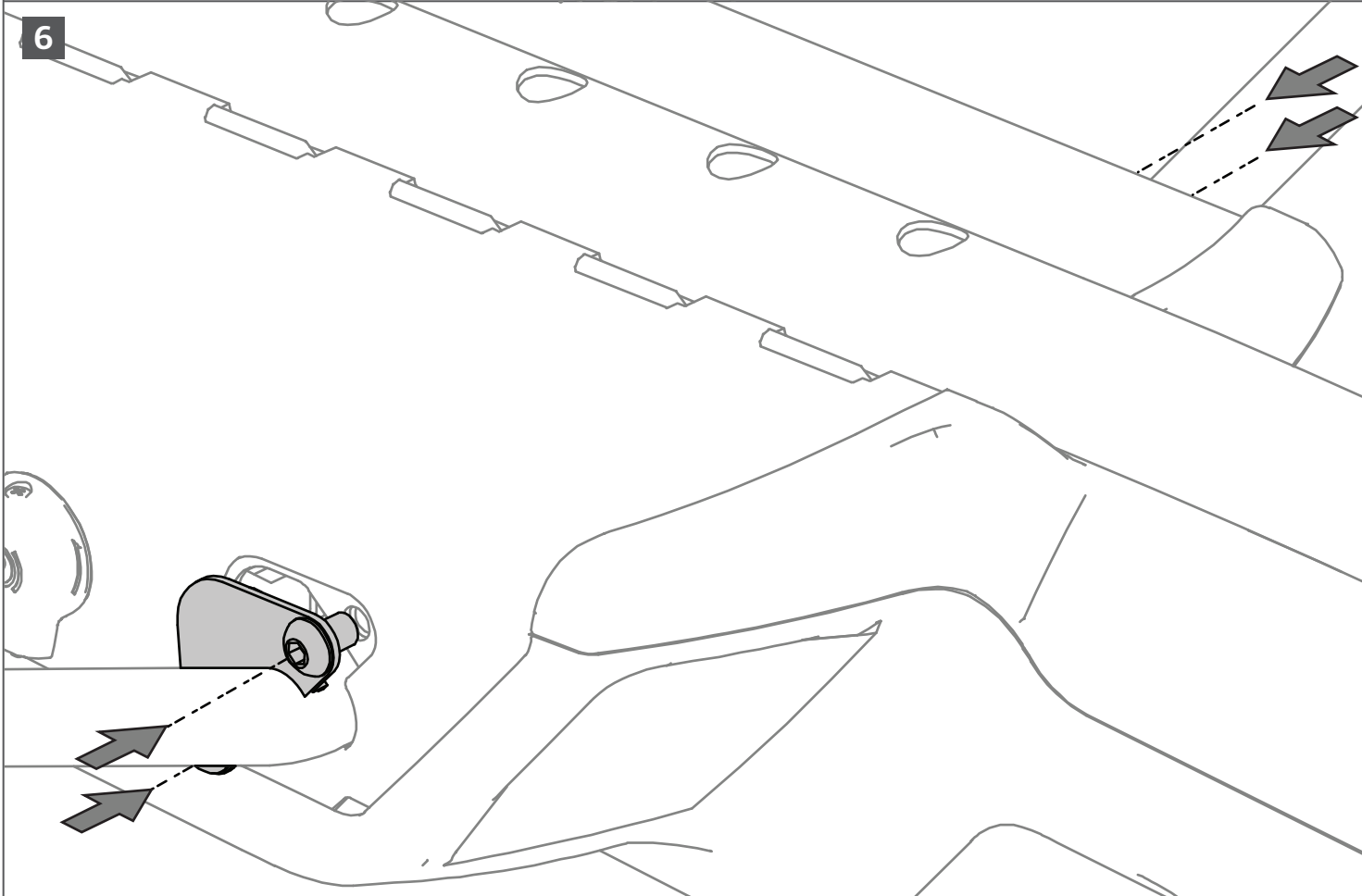
4



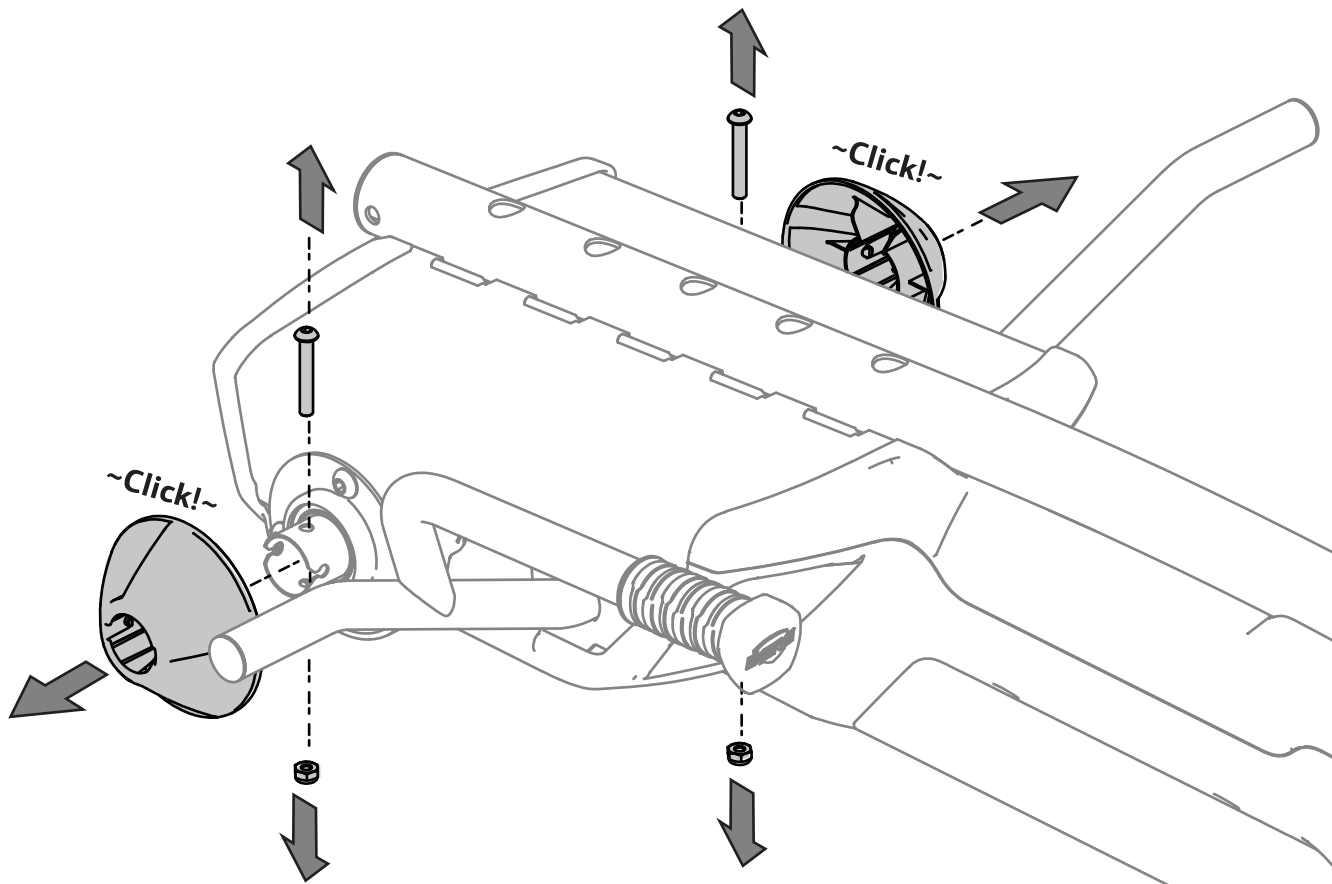
5



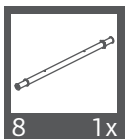
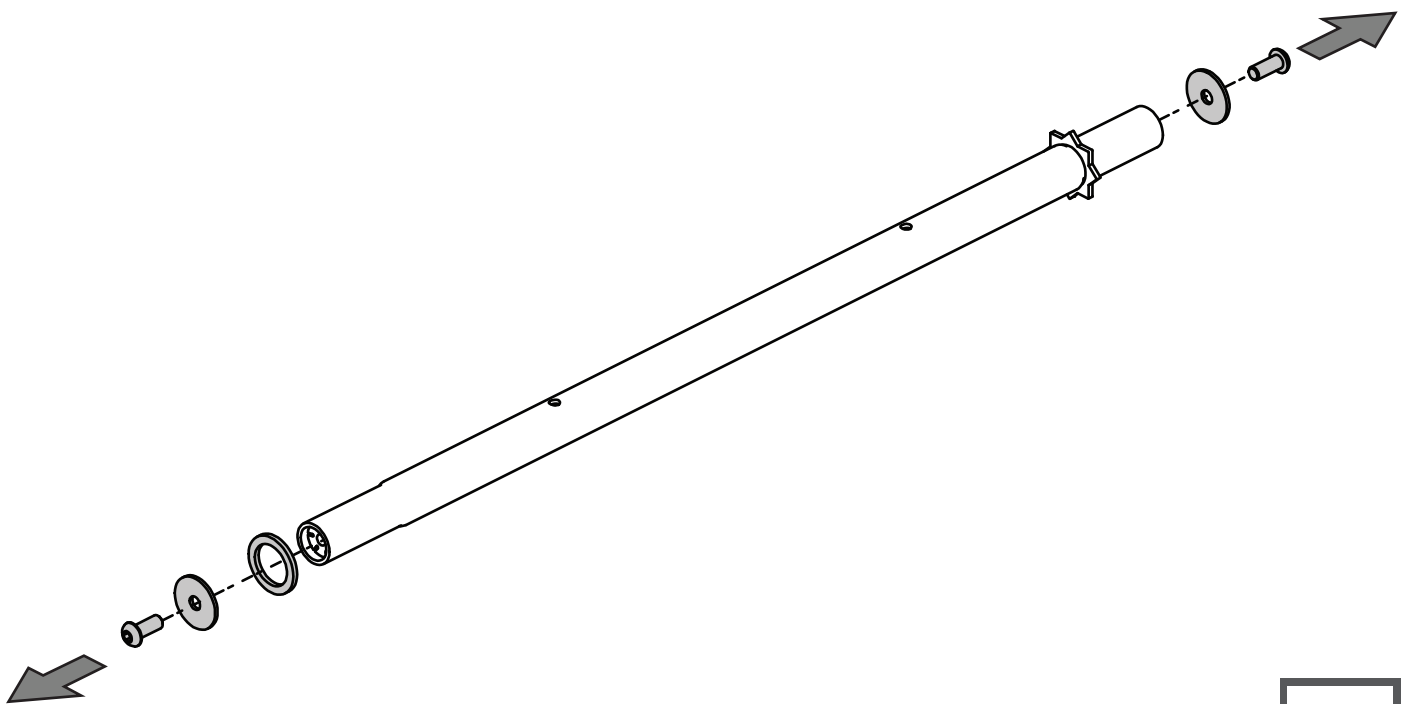
6



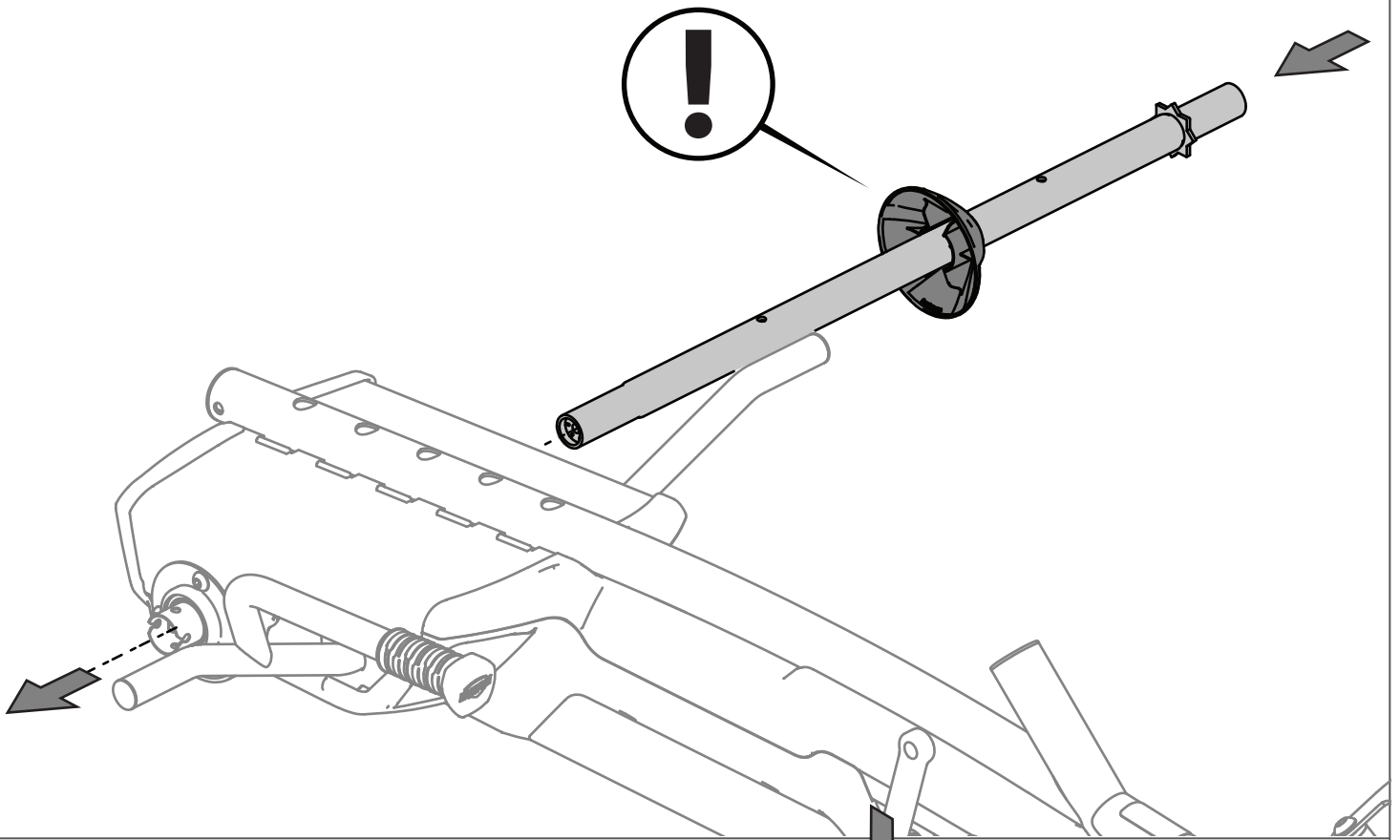
7



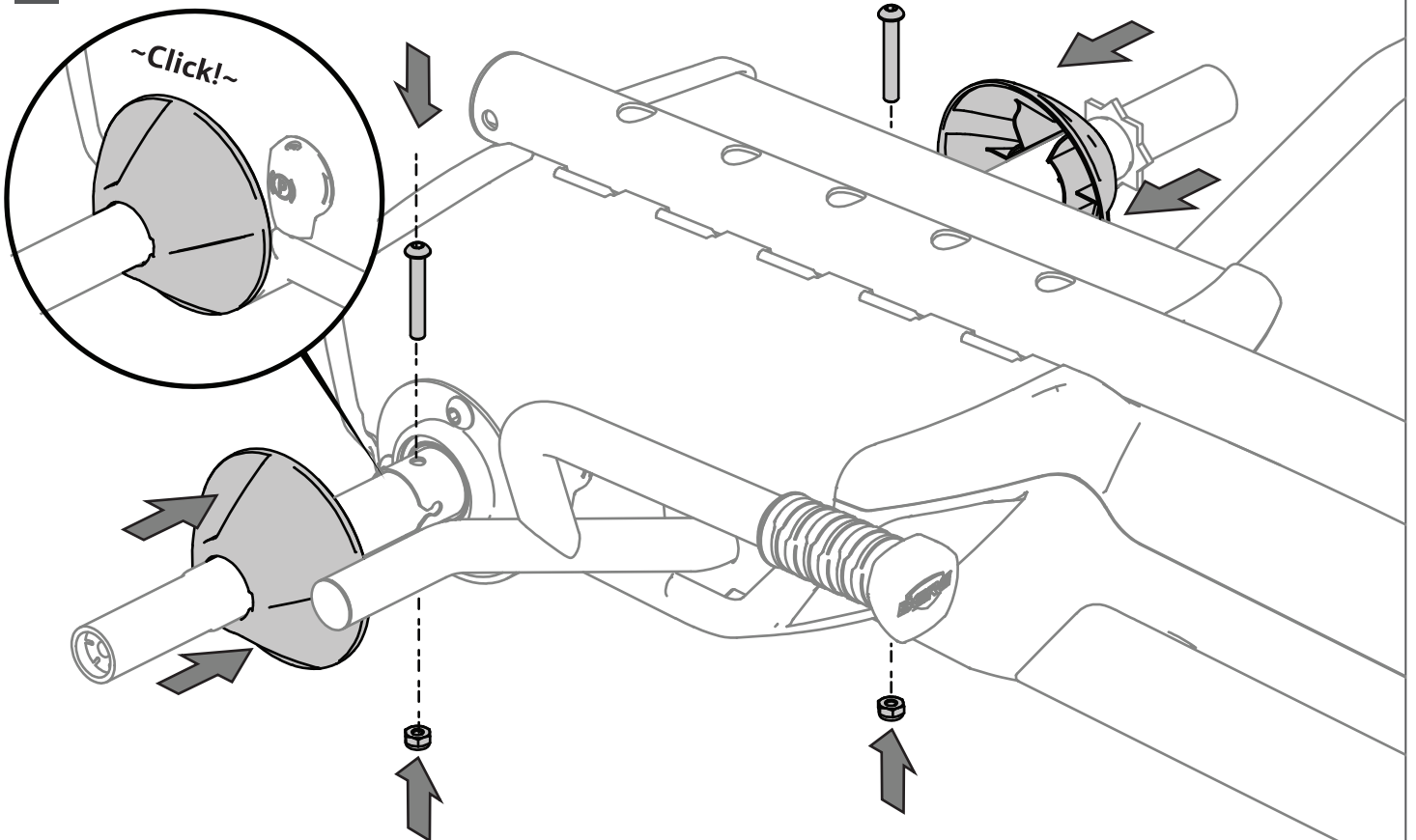
8



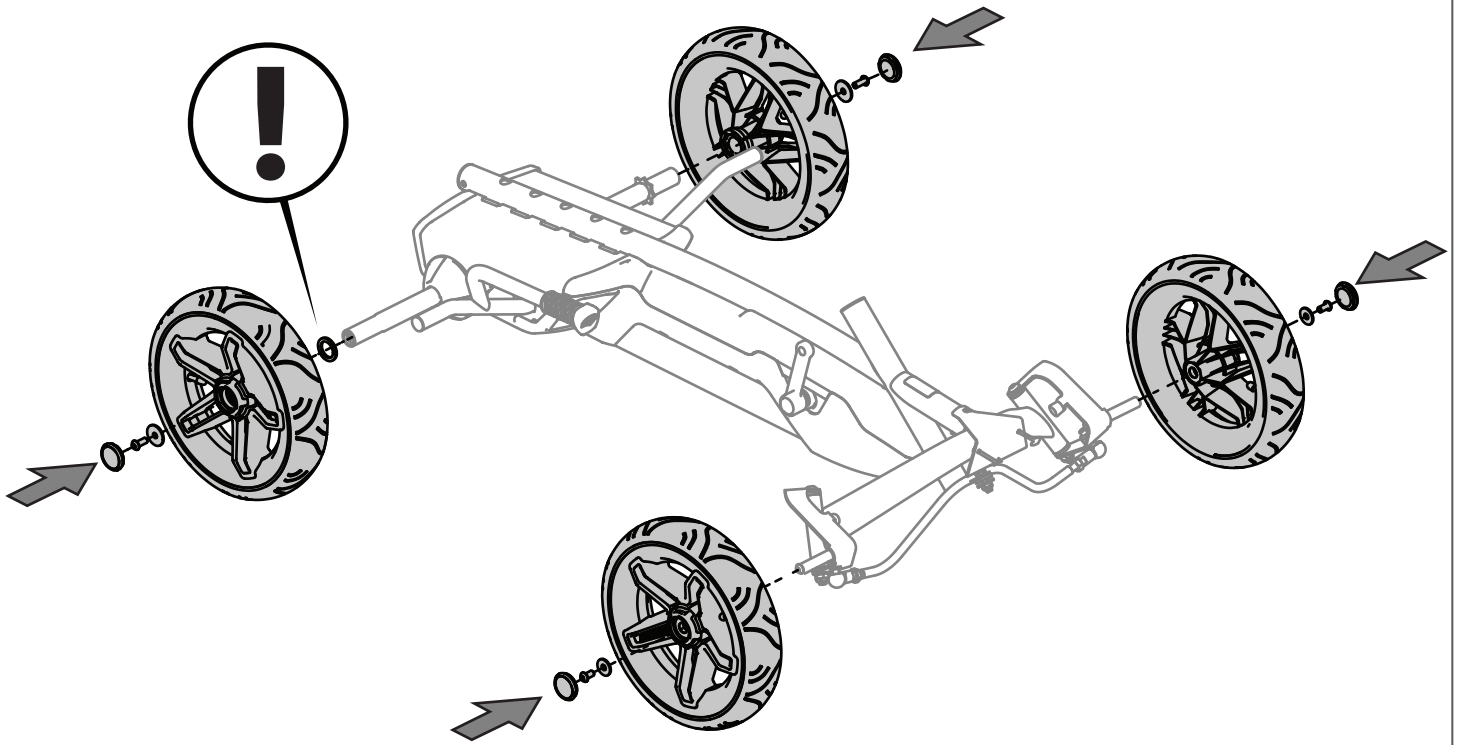
9



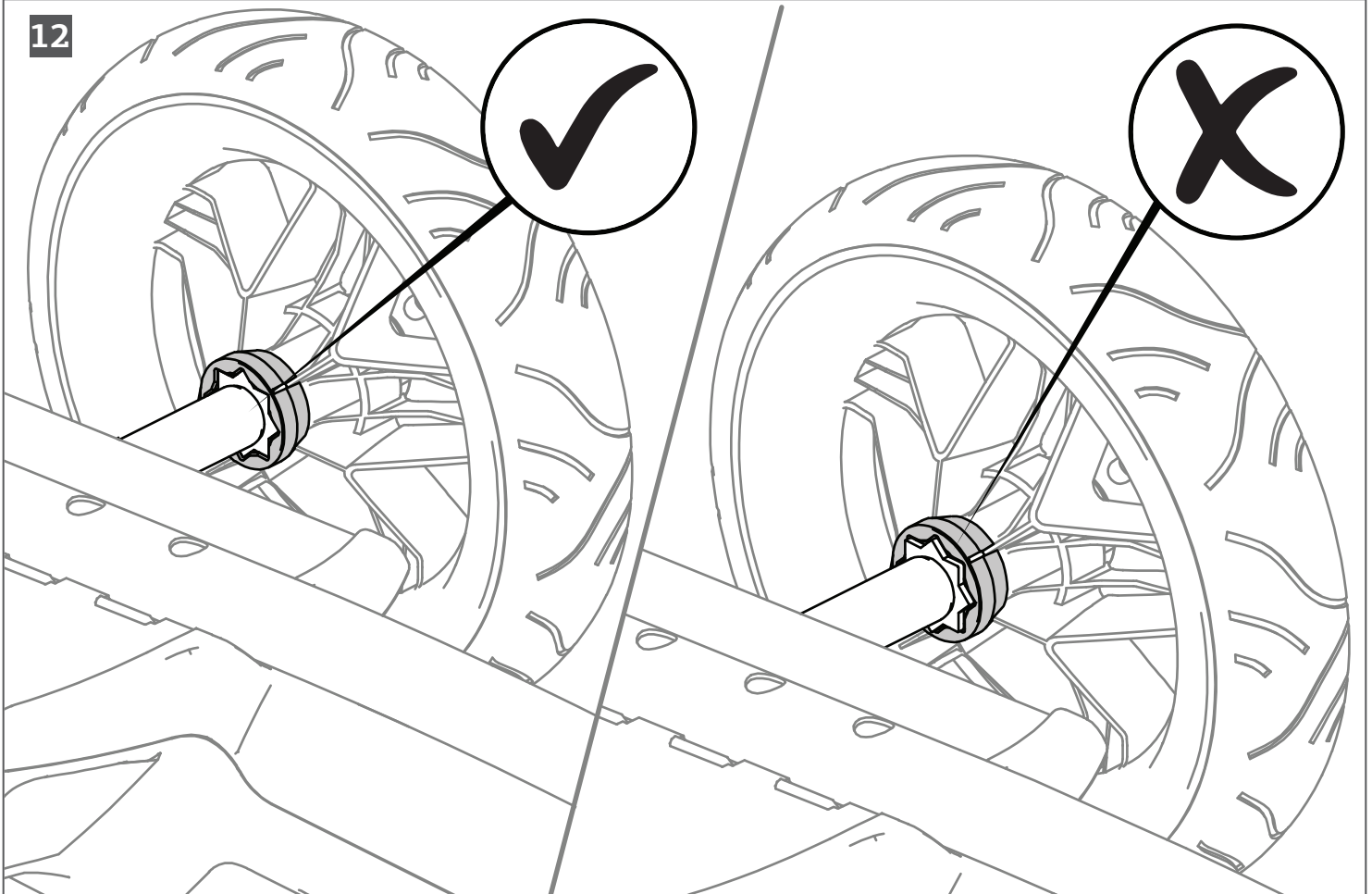
10



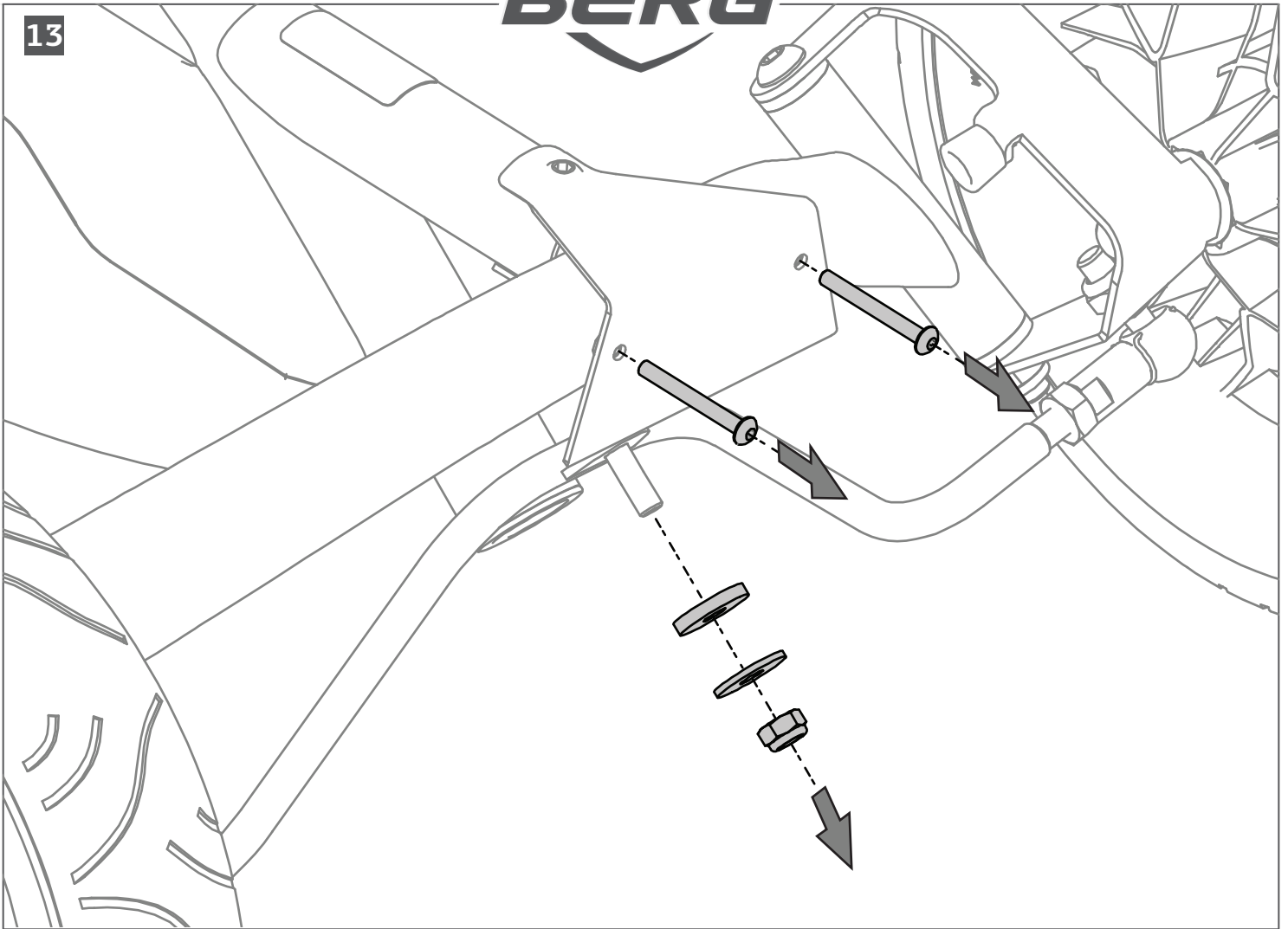
11



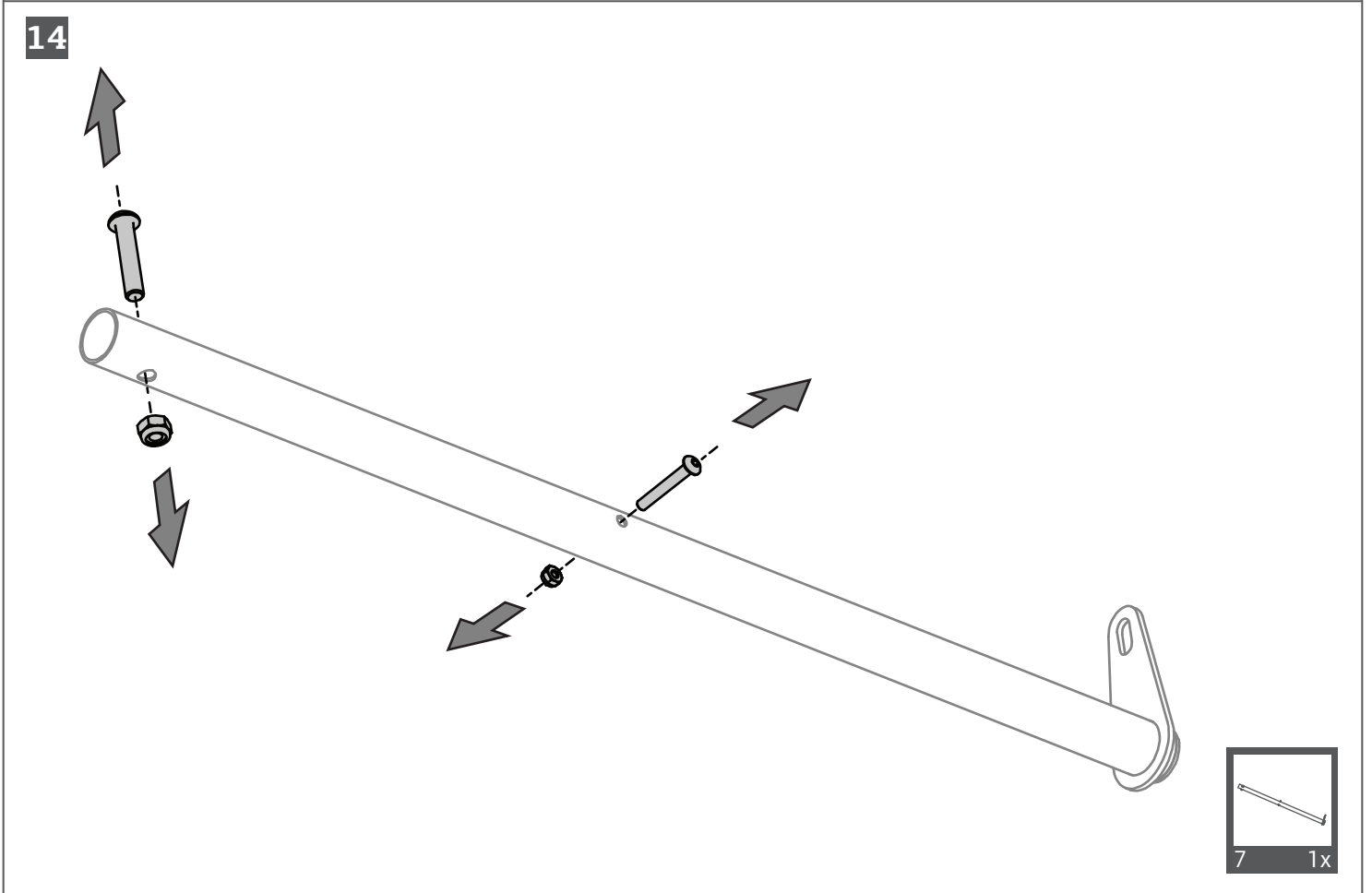
12



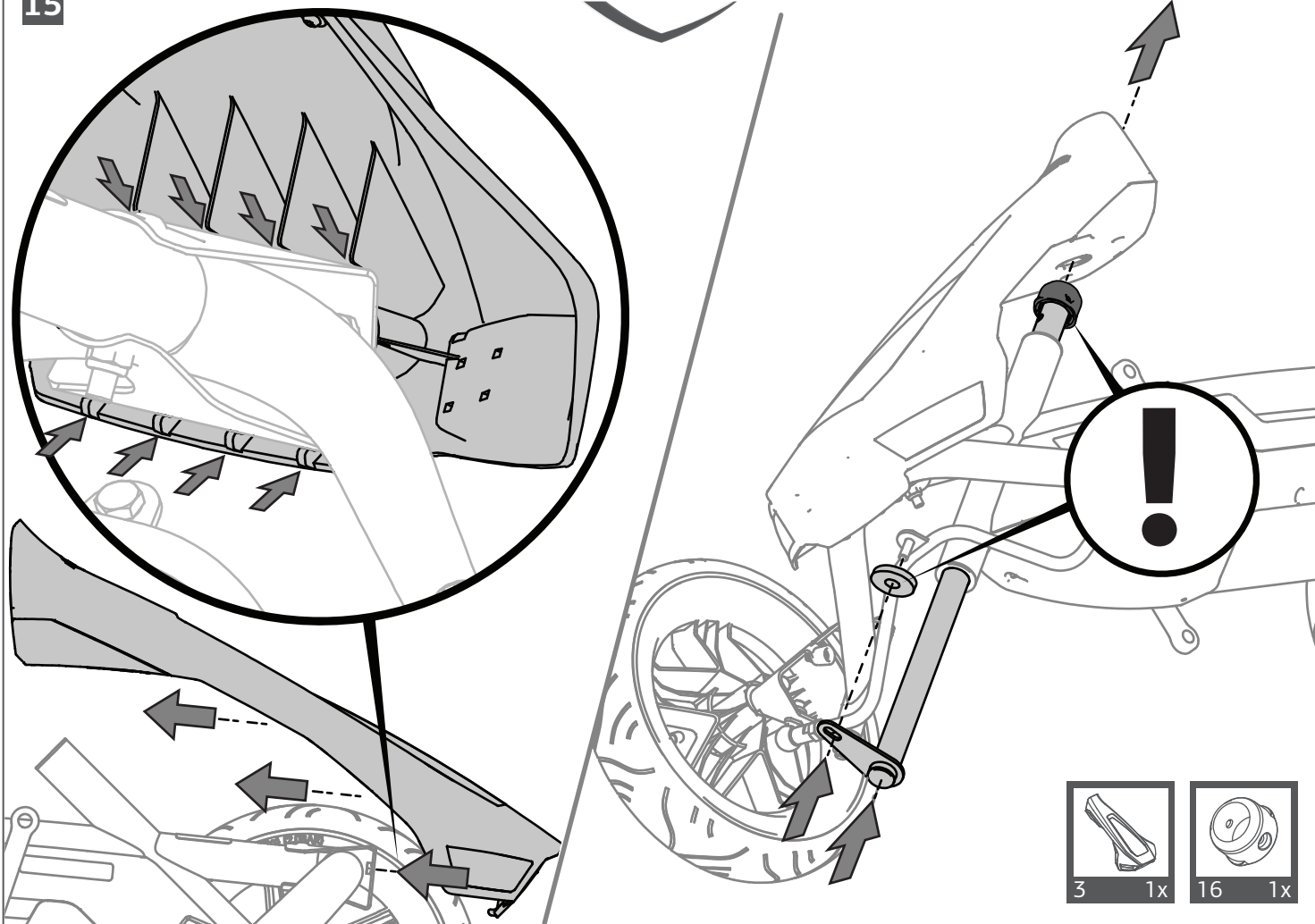
13



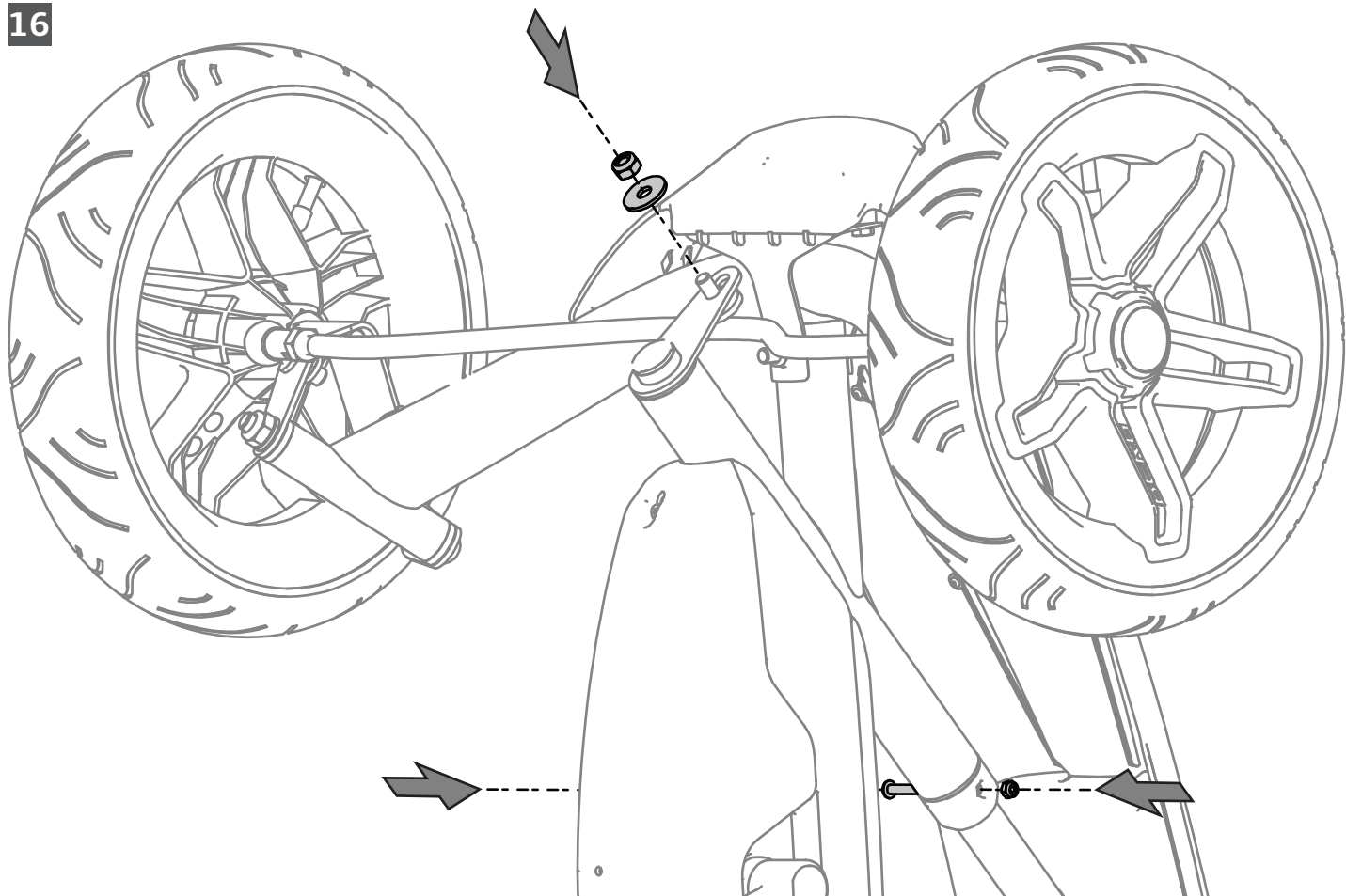
14



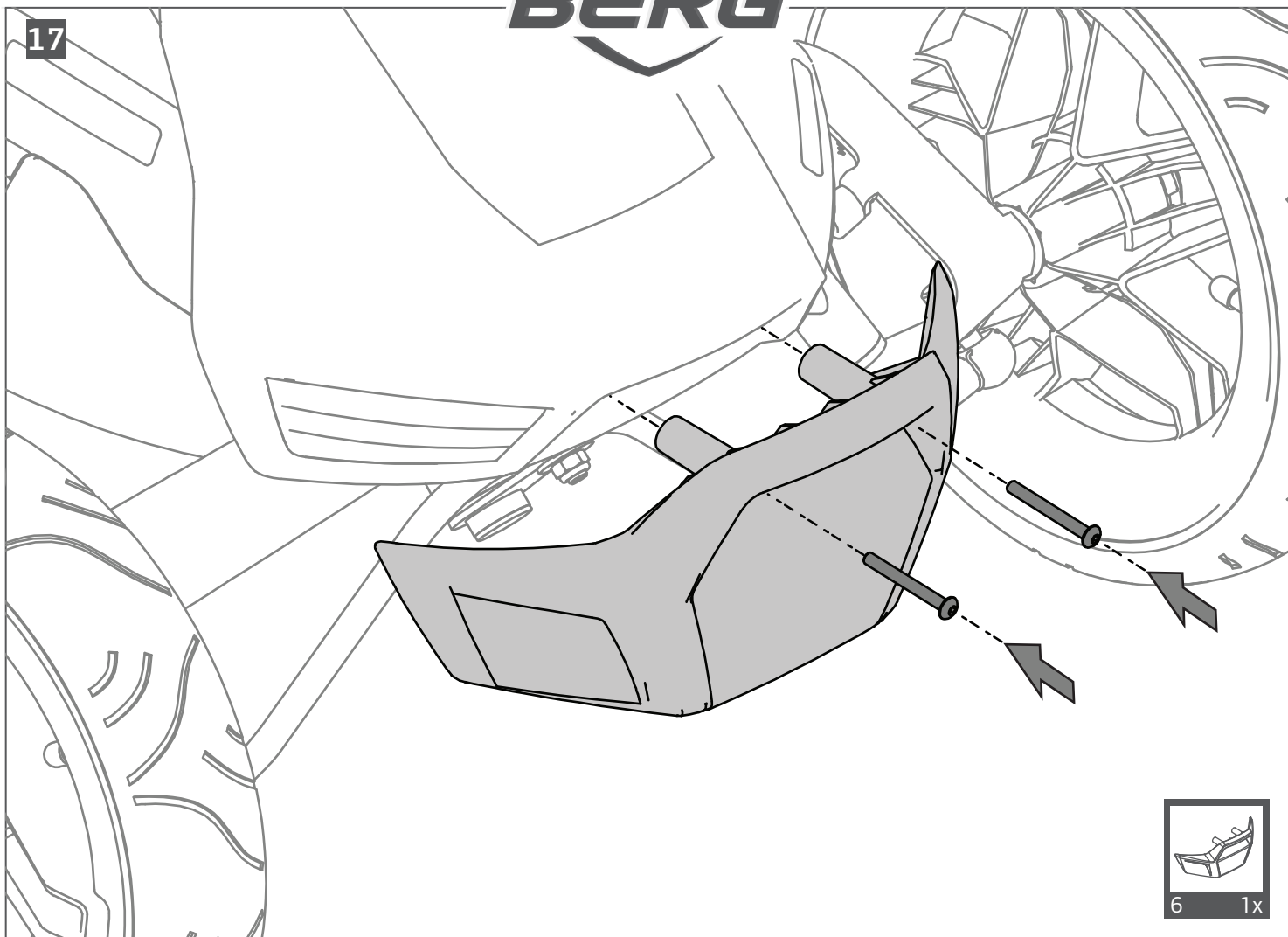
15



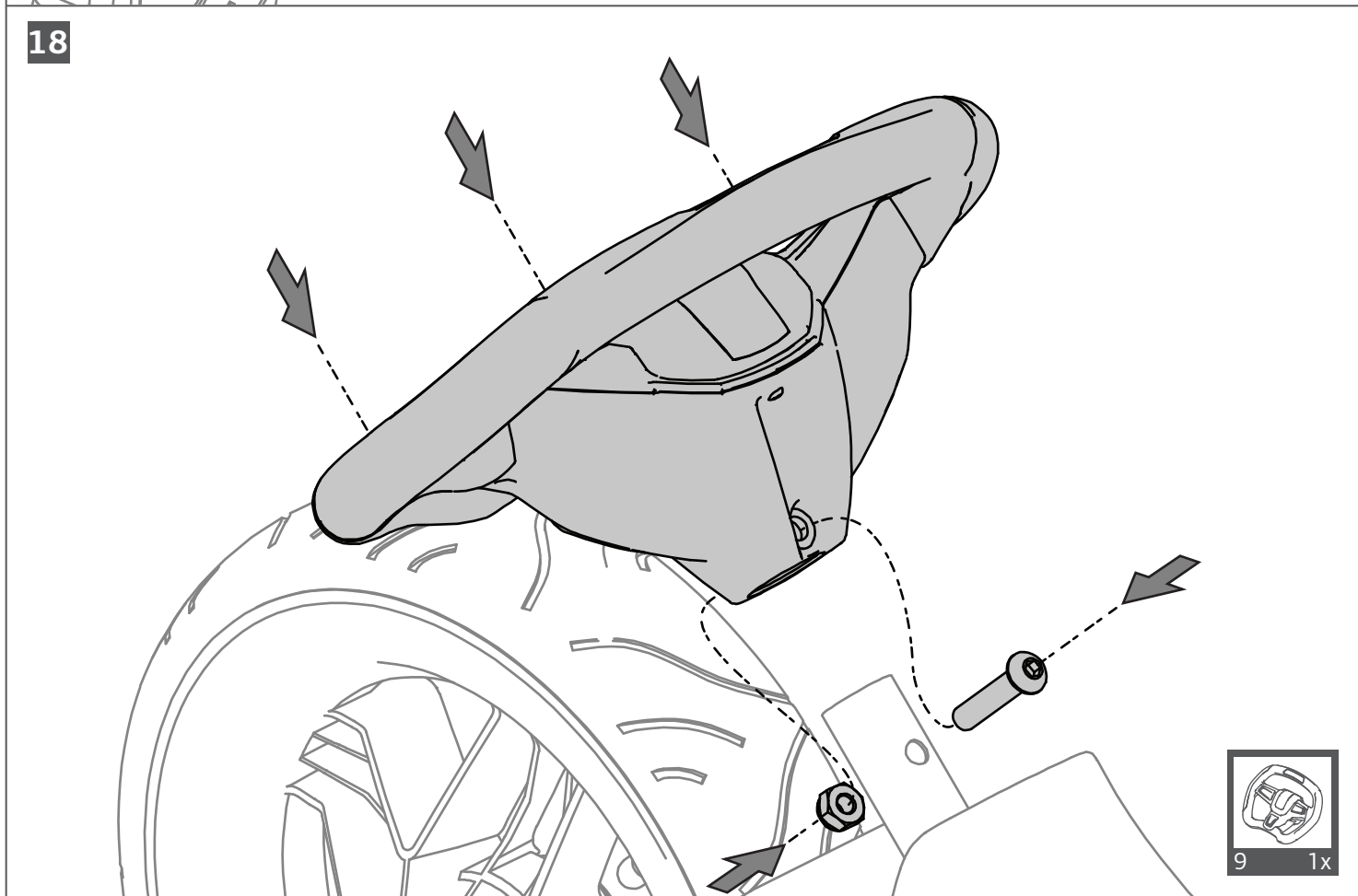
16



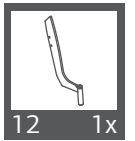
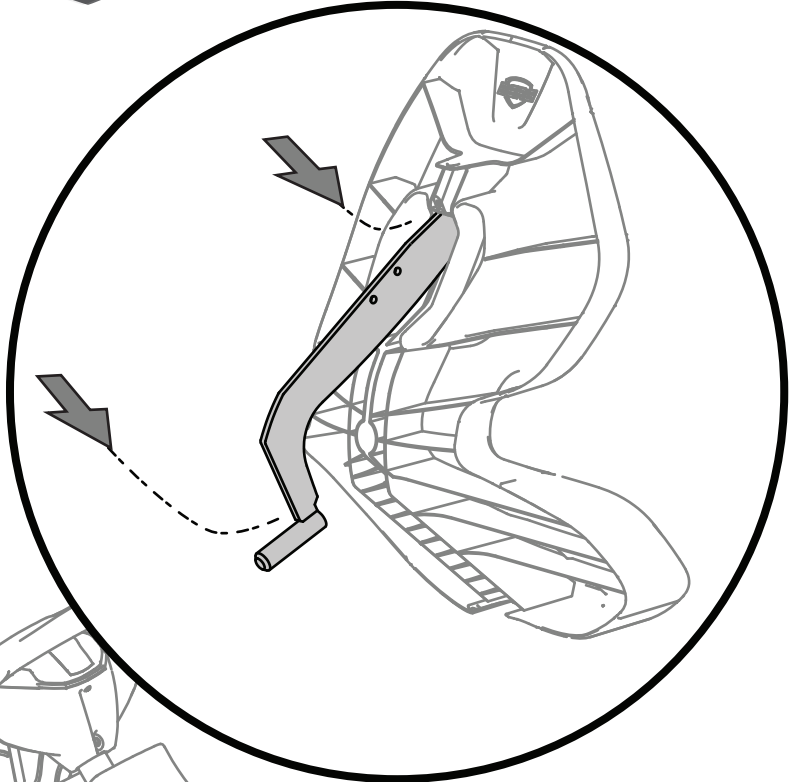
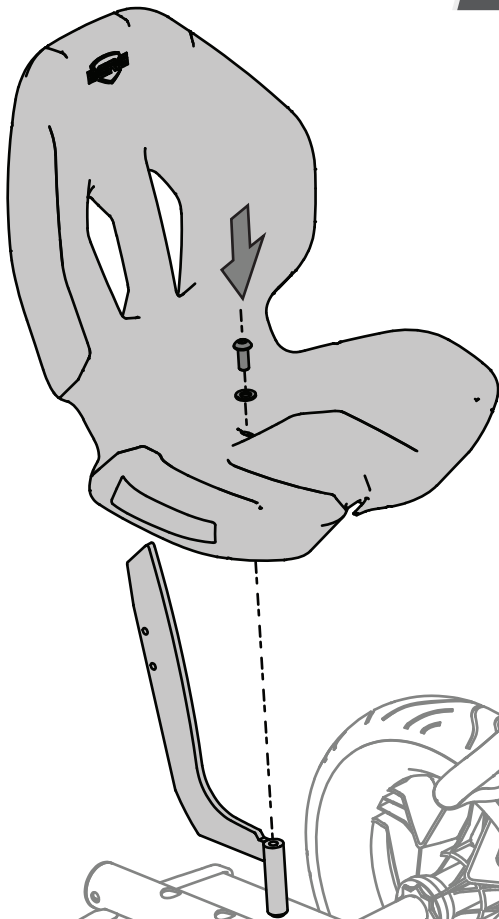
17



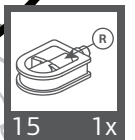
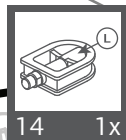
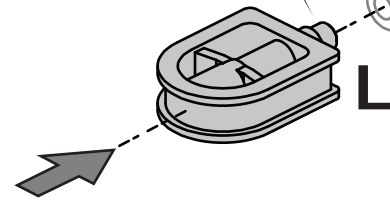
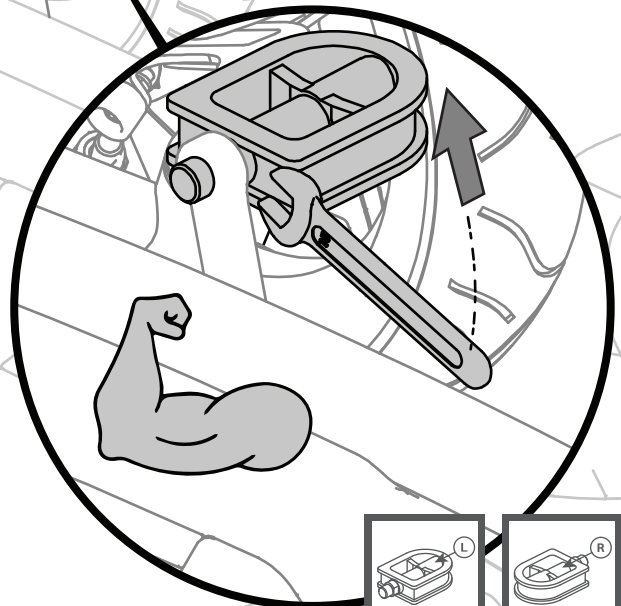
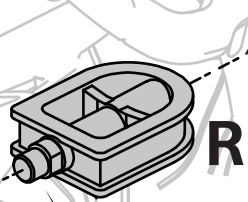
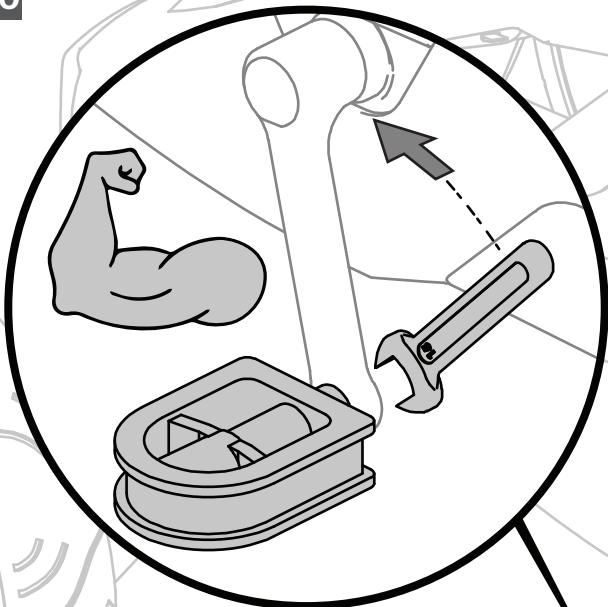
18



19



20





Introduction

Congratulations on your purchase of a BERG go-kart.

BERG strives to design and produce robust and safe products. Your choice for a BERG product means you have chosen a product that will give years of pleasure. Because of the continuous development of our products we retain the right to change product specifications without giving any notice.

Read the manual carefully for the required safety and maintenance instructions.

The BERG product has a long life span, but will need some maintenance from time to time. You will find the instructions for maintenance in this User's Manual. People who keep this in mind are guaranteed of a hardwearing toy that will last for many years.

Visit our homepage at www.bergtoys.com to find out more about BERG and see our products and accessories. You are warmly invited to send an e-mail to BERG, with your suggestions for improvement and other experiences. You can send these to info@bergtoys.com.

Content

1. Warnings

2. User guidelines

2.1 Safety

2.2 User instructions

2.2.1 Before Use

2.2.2 During use

2.2.3 Trailer

2.2.4 Brakes

2.3 Restrictions for use

2.4 Accessories

3. Maintenance

3.1 Maintenance scheme

3.2 Maintenance activities

3.2.1. Frame

3.2.2. Wheels / Tires

3.2.3. Steering

3.2.4. Chain

3.2.5. Plastic Parts

3.2.6. Crank adjustment

4. Warranty

4.1 Warranty period

4.2 Warranty regulation

1. Warnings

- Adult supervision required.
- This product may not be used on public roads.
- Do not turn sharp when driving with high speed. The go-kart can tip!
- Store the product in a dry and moisture free environment.
- Be aware of loose hanging pieces of clothing such as scarves and shoelaces. These can become entangled in moving parts, which can lead to accidents.
- Never ride if you are under the influence of alcohol, drugs or medicines that can negatively affect your reaction time or powers of observation.

2. User guidelines

BERG or the dealer cannot be held responsible for improper use of this product. Read these guidelines before use to properly and safely use this product. BERG cannot be held responsible for any omissions in this manual.

2.1 Safety

Children (under 12) may only use the product under the guidance of an adult. Always pay attention to the highest possible safety measures. If you have questions or are not sure of something, then visit your local dealer or contact BERG.

2.2 User instructions

Only use your BERG product as instructed below. Any unauthorized use could result in serious injuries to the user and/or the product.

2.2.1 Before Use

- Adjust the seat and steering wheel to the correct position, according to the size of the user.
- Make sure the steering, brakes and tires are functioning correctly and the bolts and nuts are fixed.
- Protective covers, which have been removed for maintenance purposes, should always be put back in the original state before use.
- Check if the tire pressures meet the safety norms as shown on the tire. The function of the brake and the steering depend on these being correct.
- The adult is responsible for instructing the child how to operate this product.

2.2.2 During use

- Ride at a suitable speed where you have control.
- Always pay attention to the environment.
- Brake the product always using the handbrake / back pedal brake.
- Always ride on a smooth surface without obstacles.
- Wearing protective gear is not mandatory but in the interest of safety it is advised.
- Make sure that the product cannot run away when the product is parked. This is possible by using the parking brake.
- Do not place any unnecessary objects on or against the steering. Make sure that the steering always functions properly.

2.2.3 Trailer

If a trailer is connected to the go-kart, you must remember that the braking distance will be longer. The trailers from BERG may not be hooked on the go-kart while standing on steep slopes. No people are allowed in the trailer. For the maximum load weight for the trailer please refer to the trailer User's Guide.



2.2.4 Brakes

The go-kart is equipped with a special hub. With this hub it is possible while riding forwards to pedal backwards so that the braking function in the rear wheel comes into action. While doing so, the brake function is being operated. Besides that it is also possible to ride backwards.

2.3 Restrictions for use

- Protect the product from moisture, do not use outside when it's raining.
- This product may not be used on public roads.
- Do not ride backwards at great speeds. Doing this could make you lose control.
- Collisions or other stunts increase the chance of injury to both the user and the product and are not allowed.
- Avoid contact with moving parts while riding the product.
- Do not get on or off the product while it is moving.
- Do not overload the product. Maximum user weight is 60 kg.
- Never ride in the dark without lights.
- Do not ride across a slope (rather than up or down) and make sharp turns during high speed, there is a risk the product can tip over.
- Going downhill considerably increases your speed and accidents can occur. The braking distance will also be longer! It is not allowed to use this product on hills or slopes (up and downhill).

2.4 Accessories

- Only original BERG accessories may be used. BERG has a range of accessories with which you can adapt the go-kart entirely to your own wishes. You can find all the accessories at www.bergtoys.com.
- For correct use and installation of an accessory please refer to the accompanying manual.
- All accessories should be assembled by an adult and supervised by an adult during use.

3. Maintenance

Some maintenance is necessary in order to use the BERG product and have fun with it for a long time. This chapter describes how, how often, and which maintenance must be carried out.

3.1 Maintenance scheme

Daily	Monthly	Half Yearly	Yearly
Wheels / Tires <ul style="list-style-type: none"> • Check for wear • Check the tire pressure and if necessary increase the pressure. 	Frame <ul style="list-style-type: none"> • Clean and check all nuts and bolts. • Check the frame for any cracks and fractures. Driving Mechanism <ul style="list-style-type: none"> • Check chain for correct tension. • Chain greasing. • Check for sand or dirt and clean if necessary. • Check and tighten bolts. Steering <ul style="list-style-type: none"> • Check all nuts and bolts. • Lubricate the moving parts. • Clean and oil the chains. • Check all screws and bolts. • Check for sand or dirt and clean if necessary. 	Driving Mechanism <ul style="list-style-type: none"> • Check for correct functioning of bearings, chain, hub, sprockets and axles. Plastic parts <ul style="list-style-type: none"> • Clean the plastic parts and check damage 	Plastic Parts <ul style="list-style-type: none"> • Clean the plastic parts and check for damage.

3.2 Maintenance activities

3.2.1 Frame

- The frame is powder-coated or black zinc plated. To prevent rust forming it's important to not keep the pedal go-kart outside for a long time during rain and clean the frame regularly. If you want to conserve the frame with grease, only use acid free substances. You can treat damaged areas with paint.
- Check the bolts and nuts for rust and replace them to prevent them from breaking which can cause injuries.

3.2.2 Wheels / Tires

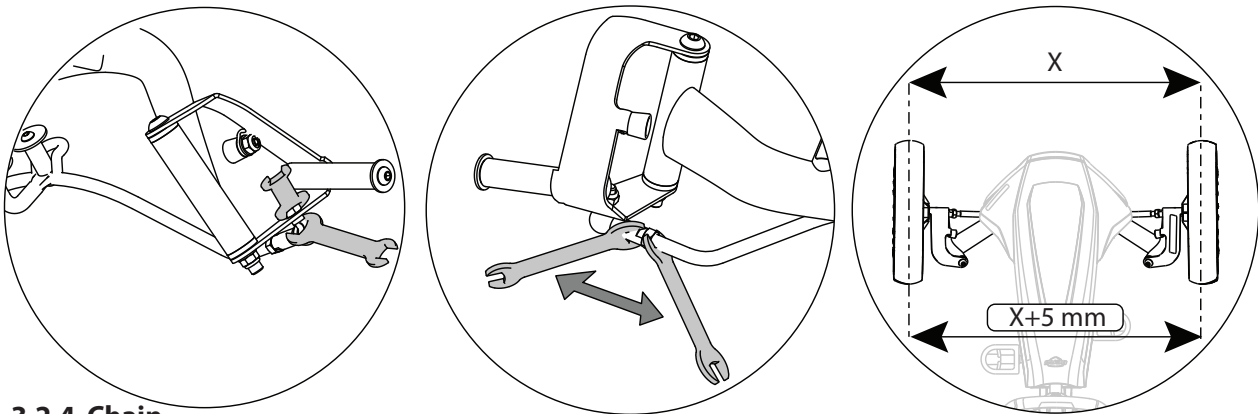
- Regularly check the rims and tires for any damage (for example cuts, cracks and bulges). Attention: damaged rims and tires can lead to accidents! The tires must not come into contact with oil, grease or fuel.

- The correct tire pressure is shown on the outside of the tire. If the tires are at the correct pressure the product will be light and easy to handle. If the pressure is too low, the tires will leak quicker and will suffer excessive wear and tear. If the tire pressure is too high, the tire can for example come loose from the rim, resulting in dangerous situations. Attention: remember that in bright sunlight and at high temperatures the tire pressure increases! The tires must not come into contact with oil, grease or fuel. Make sure that the valve caps are always fitted on the valves.
- Incorrect tire pressure will negatively affect the functionality and safety of the hand brake and parking brake. The brake bar is designed to function optimally at the correct tire pressure.

3.2.3 Steering

The steering equipment must be checked every month for the following:

- Damage, rust, wear and tear.
- All the nuts and bolts must be tightened.
- Check if the front wheels are properly aligned. If necessary, adjust according to attached scheme.



3.2.4 Chain

The go-kart has a driving mechanism with two chains.

Make sure that the chains are sufficiently oiled so that they can travel freely .

If a chain is too tightly tensioned, the product will be more difficult to pedal and there is a big chance that wear and tear of the chain and sprocket, among other things, will occur faster. If a chain is not tight enough, the chain can easily come off the sprocket, or there is a chance of damage to the chain housing.

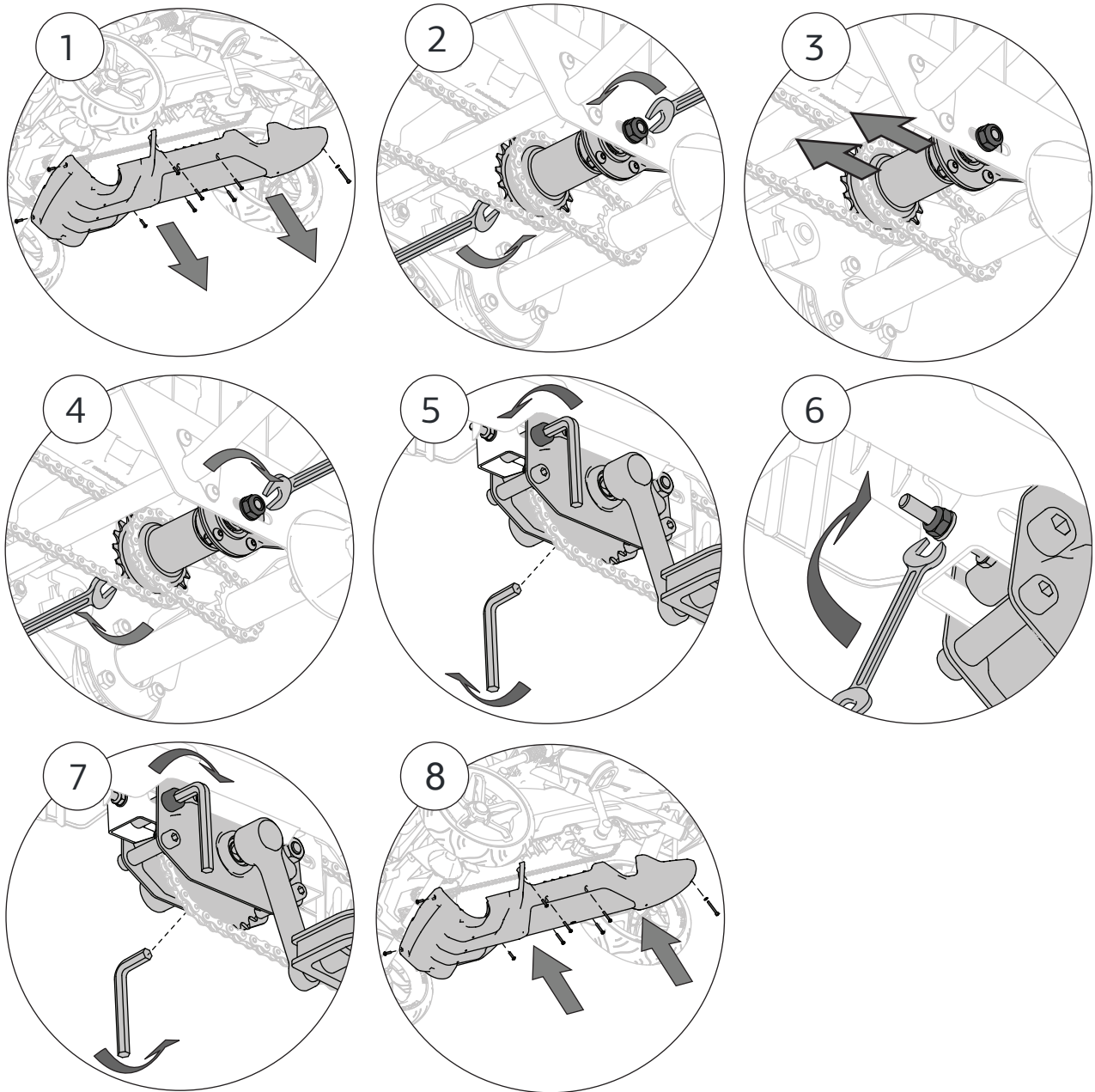
When both chains must be tensioned, always begin with the rear/short chain.

To tension the rear chain:

- Remove the protective hood.
- Loosen the nuts of the hub.
- Tension the chain by moving the hub forwards.
- Make sure that the hub remains exactly parallel to the rear axle.
- Tighten the hub nuts again.
- The chain has the correct tension if the middle can be pushed 6 millimeters downwards.

Tensioning the front chain:

- Loosen the bolts of the crank axle at the bottom of the frame.
- Tension the chain by turning the tensioning nut clockwise.
- Tighten the bolts again. It must be possible to push the middle of the chain downwards by 1 centimeter. Check this before you install the protective hood back in its place.
- Install the protective hood back in its place.



3.2.5 Plastic parts

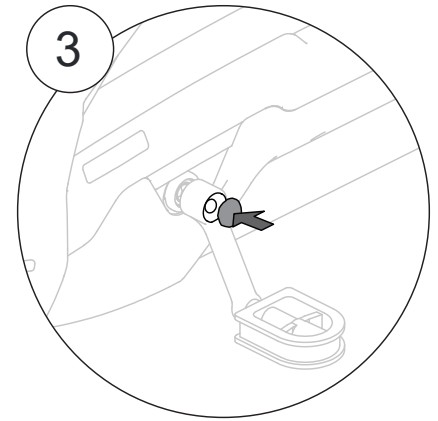
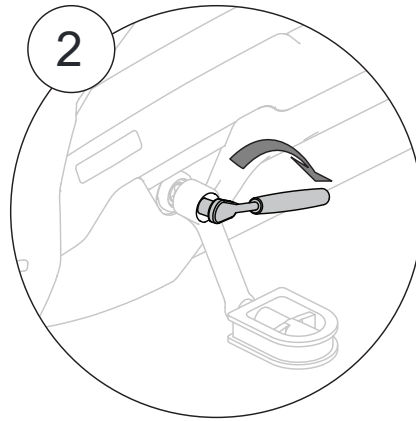
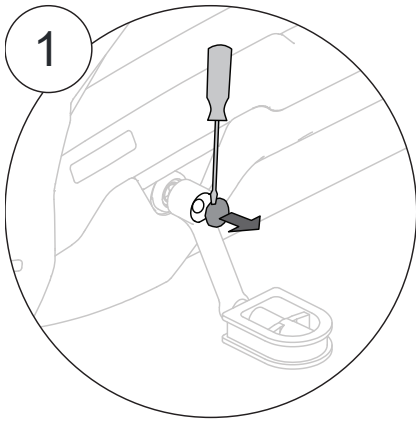
The plastic parts must be checked regularly for damage and breakage.

In the case of breakage you must immediately replace the part concerned with an original part, in order to guarantee the safety of the user.

3.2.6 Crank adjustment

After using the new product for several days (intensive use) or for up to two weeks (normal use) after purchase, the mounting bolts with which the left and right cranks are mounted must be tightened again (see illustration below). Note that they must be 'hand tightened', that is to say with a tightening moment of 30Nm at the maximum (it is a normal effect that after a short period of use, as a result of the force applied to the pedals, the crank assembly settles).

An effect when this isn't done regularly, is that a certain amount of play can occur, which can lead to damage to the crank and the crank axle. This play can be taken up by tightening the bolts further.



4. Warranty

4.1 Warranty period

The owner of this BERG product has the following warranty on this product:

- The frame has a warranty of 2 years from the date of purchase.
- Other parts have a warranty of 2 years from the date of purchase.
- Parts that are liable to wear and tear (such as chains and tires) are excluded from warranty.
- Check www.bergtoys.com for extensive warranty regulations.

4.2 Warranty regulations

The owner of the product can only claim a warranty by presenting the original bill of the purchase. The warranty only applies to material and construction faults and with respect to this product or parts thereof. The warranty lapses if:

- The product is incorrectly and/or carelessly used.
- Use of the product is not in accordance with its purpose.
- The product is not assembled and maintained in conformance with the user manual.
- Technical repairs to the product are not carried out in a professional way.
- Parts mounted afterwards do not meet technical specifications of the product involved or have not been mounted correctly.
- Added parts or replaced parts are no official BERG spare parts or accessories.
- Deficiencies arise as a result of climate influences, such as rust or normal weathering of the paint work.
- The product has been used for rental purposes or in any other way made available to several unspecified persons.

Under no circumstances can BERG be held responsible for damage to the products (of parts thereof) as a result of:

- Incorrect adjustment/tightening of the steering, the steering mechanism, chain and tires.
- Replacement of parts such as the chain and tires not being carried out in time.

During the warranty period, all material and construction faults assessed by BERG will be repaired or replaced at the discretion of BERG.

The owner of the product can only lay claim under this warranty by returning to the company where the product was bought. Besides the complaint, take the product serial number and original purchase receipt with you. You can find the serial number on the frame of the product.

If the claim under the warranty is refused, all costs incurred must be paid by the owner.

The warranty is not transferable to third parties.

Introductie

Gefeliciteerd met uw aankoop van een BERG skelter.

BERG streeft ernaar om robuuste en veilige producten te ontwerpen en produceren. Uw keuze voor een BERG product betekent dat u gekozen heeft voor een product dat een garantie is voor jaren van speelplezier. In verband met constante ontwikkeling van onze producten behouden wij het recht om productspecificaties te wijzigen zonder verdere berichtgeving.

Lees deze gebruikshandleiding zorgvuldig door voor de benodigde veiligheids- en onderhoudsinstructies.

Het BERG product heeft een lange levensduur, maar zal van tijd tot tijd onderhoud nodig hebben. U kunt de instructies om het product te onderhouden vinden in deze handleiding. Mensen die deze instructies volgen kunnen zeker zijn van een degelijk product dat vele jaren mee gaat.

Bezoek onze website op www.bergtoys.com om meer informatie over BERG, onze producten en accessoires te vinden. U bent welkom om een e-mail naar BERG te sturen met eventuele suggesties voor verbeteringen en andere ervaringen. U kunt deze naar info@bergtoys.com sturen.

Inhoud

1. Waarschuwingen
2. Gebruiksrichtlijnen
 - 2.1 Veiligheid
 - 2.2 Gebruiksaanwijzingen
 - 2.2.1 Voor gebruik
 - 2.2.2 Tijdens gebruik
 - 2.2.3 Aanhangertje
 - 2.2.4 Remmen
 - 2.3 Regels voor gebruik
 - 2.4 Accessoires
3. Onderhoud
 - 3.1 Onderhoudsschema
 - 3.2 Onderhoudswerkzaamheden
 - 3.2.1. Frame
 - 3.2.2. Wielen/banden
 - 3.2.3. Stuurinrichting
 - 3.2.4. Ketting
 - 3.2.5. Kunststof onderdelen
 - 3.2.6. Cranks bijstellen
4. Garantie
 - 4.1 Garantie periode
 - 4.2 Garantie verordening



1. Waarschuwingen

- Kinderen (onder 12 jaar) mogen het product alleen gebruiken onder toezicht van een volwassene.
- De skelter mag niet op de openbare weg gebruikt worden.
- Maak geen scherpe bochten op hoge snelheid. De skelter kan kantelen.
- Bewaar het product op een droge en vochtvrije plaats.
- Pas op voor loshangende delen aan kleren zoals losse koordjes, sjaals, schoenveters e.d. Deze kunnen verstrikt raken in bewegende delen wat kan leiden tot ongelukken.
- Rijd nooit onder invloed van alcohol, drugs of medicijnen die een negatief effect kunnen hebben op uw reactietijd of oplettenheid.

2. Gebruiksrichtlijnen

BERG of de dealer kan niet verantwoordelijk gehouden worden voor ongepast gebruik. Lees deze richtlijnen voor gebruik, als een instructie om het product op een gepaste en veilige manier te gebruiken. BERG kan niet aansprakelijk gesteld worden voor weglatingen in deze gebruikshandleiding.

2.1 Veiligheid

Kinderen (onder 12 jaar) mogen het product alleen gebruiken onder toezicht van een volwassen persoon. Besteed altijd aandacht aan de hoogst geldende veiligheidsinstructies. Als u vragen hebt of niet zeker bent van de informatie, kunt u contact opnemen met uw lokale BERG dealer of BERG.

2.2 Gebruiksaanwijzingen

Gebruik uw BERG product alleen zoals aangegeven in de onderstaande instructies. Afwijkend gebruik kan leiden tot serieuze letsels aan de gebruiker of beschadiging van het product.

2.2.1 Voor gebruik

- Verstel het stuur en de stoel naar de correcte positie aan de hand van de afmetingen van de gebruiker.
- Zorg dat het stuur, rem en de wielen correct functioneren en dat bouten en moeren goed aangedraaid zijn.
- Wanneer beschermkappen voor onderhoud worden verwijderd, monteer deze dan altijd voor gebruik weer op de originele manier.
- Check de bandenspanning en zorg ervoor dat die altijd aan de norm voldoet zoals deze weergegeven is op de band (28 psi/1,9 bar). Het functioneren van de rem en het stuur hangt hier van af.
- Volwassenen zijn verplicht om het kind te instrueren hoe het product veilig gebruikt kan worden.

2.2.2 Tijdens gebruik

- Rijd op een gepaste snelheid waarbij u genoeg controle over de skelter hebt
- Let altijd goed op de omgeving tijdens het gebruik.
- Rem altijd op de voorgeschreven wijze door gebruik te maken van de handrem/terugtraprem.
- Rijd altijd op een vlak oppervlak zonder obstakels.
- Het dragen van beschermende kleren is niet verplicht maar wordt om veiligheidsredenen aangeraden.
- Zorg dat het product, wanneer het geparkeerd is, niet weg kan rollen. Dit kan door het inschakelen van een parkeerrem.
- Plaats geen onnodige voorwerpen op of aan het stuur. Zorg dat het stuur altijd goed blijft functioneren.

2.2.3 Aanhangertrek

Wanneer een aanhanger aan het product hangt, moet de gebruiker erop bedacht zijn dat de remweg langer zal zijn. De aanhangers van BERG mogen niet aangesloten worden wanneer de skelter op een steile helling staat. Er mogen geen personen plaatsnemen in de aanhanger. Het maximale gewicht dat in de aanhanger mag, is te vinden in de handleiding van de specifieke aanhanger.

2.2.4 Remmen

De skelter is uitgerust met een speciale naaf. Met deze naaf is het mogelijk om, terwijl de zich skelter in voorwaardse beweging bevindt, terug te trappen om te remmen middels de remfunctie van de achterwielen. Daarnaast kunt u middels deze naaf toch achteruit rijden.

2.3 Regels voor gebruik

- Bescherm het product tegen vocht en gebruik het niet wanneer het regent.
- Dit product mag niet op de openbare weg gebruikt worden.
- Rijd niet achteruit met hoge snelheid. Dit kan leiden tot verlies van controle.
- Botsingen of andere stunts zorgen voor een hogere kans op letsel aan de bestuurder en het product en zijn niet toegestaan.
- Voorkom contact met de bewegende delen tijdens het rijden.
- Stap niet op of af als het product in beweging is.
- Overschrijd het maximaal toegestane gewicht niet van 60 kg.
- Rijd nooit in het donker zonder goede verlichting.
- Rijd niet schuin over een helling of maak geen scherpe bochten bij hoge snelheid, er is een risico dat het product om kan slaan!
- Bergafwaarts rijden verhoogt de snelheid en kan ongelukken veroorzaken. De remafstand zal hierbij ook langer zijn! Het is daarom niet toegestaan dit product op heuvels en hellingen te gebruiken, zowel heuvel op als afwaarts.

2.4 Accessoires

- Alleen originele BERG accessoires mogen gebruikt worden op de skelters. BERG heeft verschillende accessoires waarmee u uw skelter volledig aan kan passen aan uw wensen. U kan de accessoires vinden op www.bergtoys.com
- Voor correct gebruik en installatie van een accessoire verwijzen wij naar de bijbehorende handleiding.
- Alle accessoires dienen te worden gemonteerd door een volwassene en te worden gebruikt onder toezicht van een volwassene.



3. Onderhoud

Onderhoud is noodzakelijk om het BERG product te gebruiken en er plezier van te hebben voor een lange tijd. Dit hoofdstuk beschrijft hoe, hoe vaak en welk onderhoud gedaan moet worden.

3.1 Onderhoudsschema

Dagelijks	Maandelijks	Halfjaarlijks	Jaarlijks
<p>Wielen / Banden</p> <ul style="list-style-type: none"> Controleer op beschadigingen en slijtage. Controleer op bandenspanning en wanneer noodzakelijk verhoog de bandenspanning. 	<p>Frame</p> <ul style="list-style-type: none"> Controleer en maak alle bouten en moeren schoon. Controleer het frame op scheuren en beschadigingen. <p>Behuizing</p> <ul style="list-style-type: none"> Reinig en controleer alle schroeven en bouten en draai ze stevig aan. Controleer de behuizing op eventuele scheuren en breuken. <p>Aandrijving</p> <ul style="list-style-type: none"> Kettingspanning controleren. Ketting invetten. Controleer op zand en viezigheid en maak, indien nodig, schoon. Controleer alle schroeven en bouten en draai ze stevig vast. <p>Stuurinrichting</p> <ul style="list-style-type: none"> Controleer alle bouten en moeren. Vet de bewegende delen in. Controleer alle schroeven en bouten. Controleer op zand en viezigheid en maak schoon. 	<p>Aandrijving</p> <ul style="list-style-type: none"> Controleer op correct functioneren van de lagers, ketting, naaf, tandwiel en assen. <p>Kunststof delen</p> <ul style="list-style-type: none"> Maak de plastic delen schoon en controleer op schade. 	<p>Kunststof delen</p> <ul style="list-style-type: none"> Maak de plastic delen schoon en controleer op schade.

3.2 Onderhoudswerkzaamheden

3.2.1 Frame

- Het frame is gepoedercoat of zwart verzinkt. Om roestvorming te voorkomen is het belangrijk om de skelter niet langdurig buiten te laten staan tijdens regen en om het frame regelmatig schoon te maken. Indien u het frame wilt conserveren met vet, gebruik dan uitsluitend zuurvrije vaseline. Kleine beschadigingen kunt u met lak bijwerken.
- Controleer de bouten en moeren op roest en vervang deze onderdelen tijdig om te voorkomen dat deze tijdens gebruik breken waardoor ongewenst letsel kan ontstaan.

3.2.2 Wielen / Banden

Controleer regelmatig de velgen en banden op beschadigingen (zoals butsen en slijtage). Pas op: beschadigingen aan velgen en banden kunnen leiden tot ongelukken! Banden mogen niet in aanraking komen met olie, vet en brandstof.

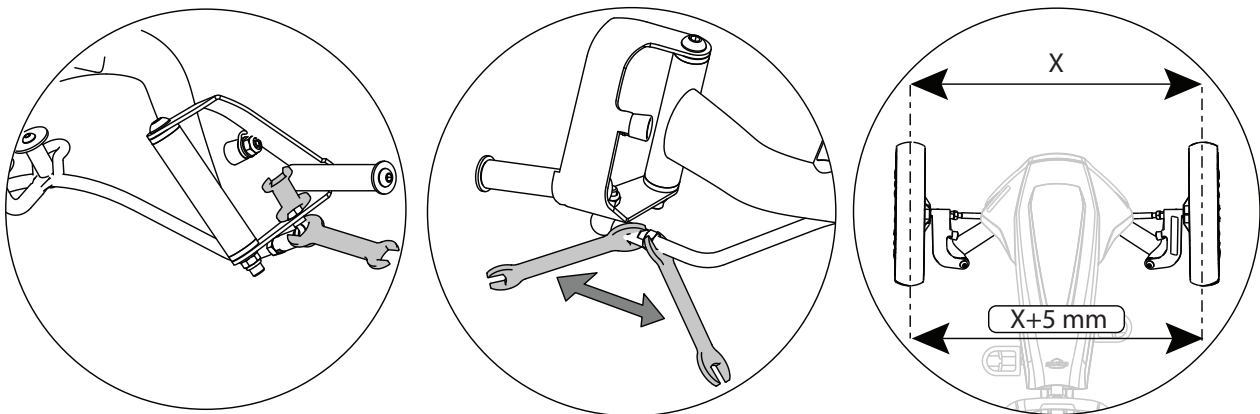
De correcte bandenspanning is te vinden op de buitenkant van de band. Indien de banden de juiste spanning hebben, dan zal het product wendbaarder en sneller zijn. Wanneer de spanning laag is, zullen de banden sneller lucht lekken en zullen ze sneller slijten. Echter, indien de bandenspanning te hoog is kan de band los komen van de velg, wat kan resulteren in gevaarlijke situaties. Let op: in felle zon en met hoge temperaturen wordt de bandenspanning verhoogd. De banden mogen niet in contact komen met olie, vet of brandstof. Verzekert dat de ventieldopjes altijd strak op de ventielen zitten.

Incorrecte bandenspanning heeft slechte invloed op het functioneren en de veiligheid van de handrem en parkeerrem. De handremstang is ontworpen om optimaal te functioneren bij de correcte bandenspanning.

3.2.3 Stuurinrichting

De stuurinrichting moet elke maand op deze punten gecontroleerd worden:

- Breuk, slijtage, roest en beschadiging.
- Alle schroeven en bouten moeten vast zitten.
- De schroef op de achterkant van het stuur moet worden aangedraaid.
- Controleer of de voorwielen correct staan uitgelijnd. Wanneer nodig, stel bij volgens schema.



3.2.4 Ketting

Het product is uitgerust met 2 kettingen, die het nodige onderhoud nodig hebben.

Verzekert dat de kettingen zijn ingevet zodat ze soepel lopen.

Als een ketting te strak gespannen is, zal de skelter zwaar trappen. Dit vergroot de kans versnelde slijtage van o.a. ketting en tandwielen. Is een ketting niet strak genoeg gespannen, dan loopt de ketting gemakkelijk van de tandwielen af en is er kans op beschadiging aan de kettingkast.

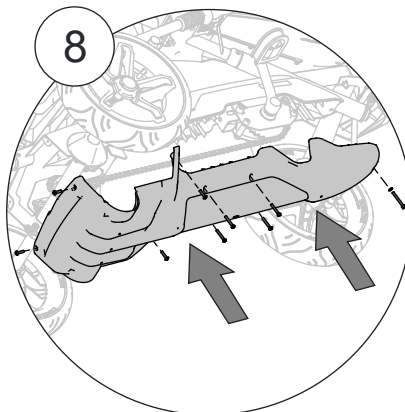
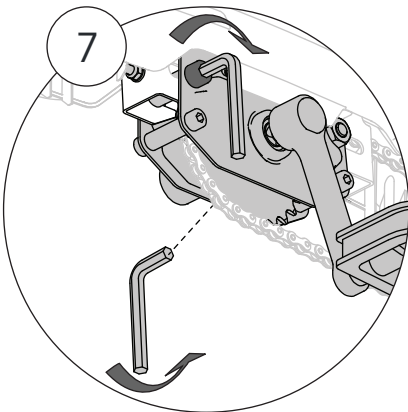
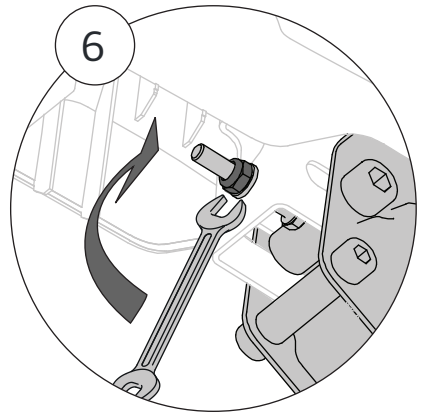
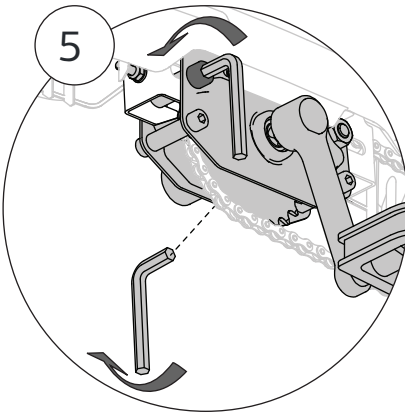
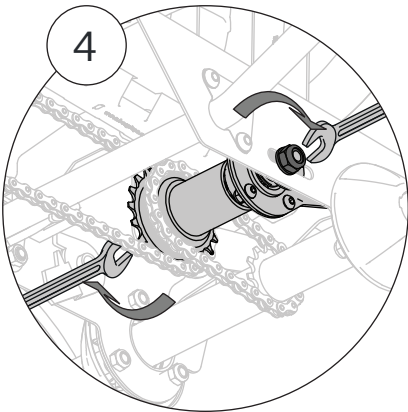
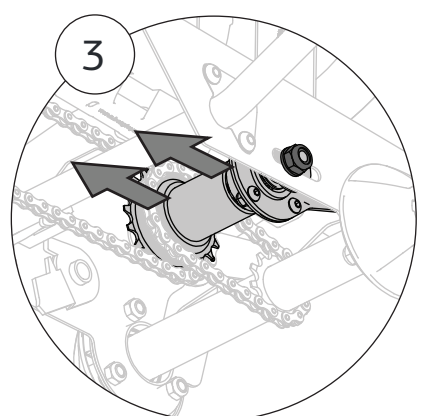
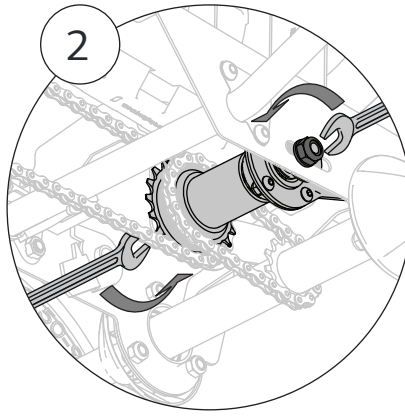
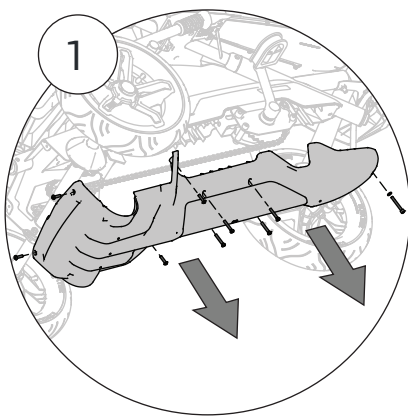
Wanneer beide kettingen gespannen moeten worden begin dan altijd eerst met de achterste/korte ketting.

Het spannen van de achterste ketting:

- Verwijder de beschermkap en draai de moeren van de naaf los.
- Span de ketting door de naaf naar voren te trekken.
- Zorg ervoor dat de naaf exact parallel blijft liggen met de achteras.
- Draai de moeren weer vast.
- De ketting heeft de juiste spanning als deze in het midden nog 6mm naar beneden geduwd kan worden.

Het spannen van de voorste ketting:

- Draai de bouten van de trapas aan de onderzijde van het frame los.
- Span de ketting door de spanmoer met de klok mee te draaien.
- Draai de bouten weer vast. De ketting moet in het midden 10mm naar beneden gedrukt kunnen worden. Controleer dit voordat de kettingkast weer teruggeplaatst wordt.
- Plaats de kettingkast terug.



3.2.5 Kunststof onderdelen

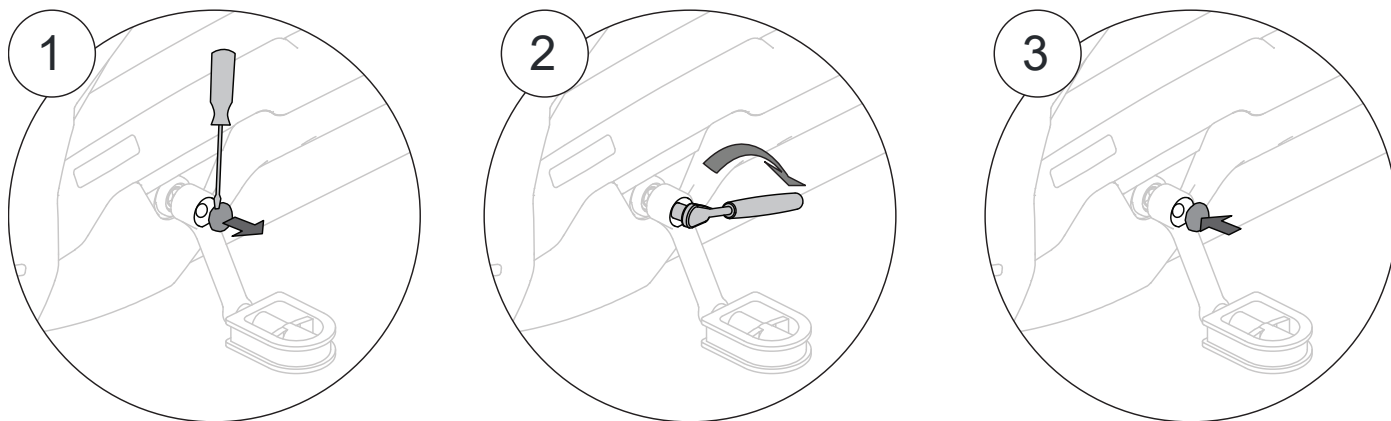
De kunststof onderdelen moeten regelmatig gecontroleerd worden op schade en scheuren.

In het geval van scheuren moet het kunststof onderdeel meteen vervangen/verwijderd worden, om de veiligheid van de gebruiker te garanderen.

3.2.6 Crankstel bijstellen

Na een gebruikperiode van enkele dagen (bij intensief gebruik) tot twee weken (bij normaal gebruik) na aankoop, dienen de bevestigingsbouten waarmee de linker- en rechter cranks bevestigd zijn, nog eens te worden vastgedraaid (zie onderstaande afbeelding). Let u er op dat dit 'handvast' gebeurt, dat wil zeggen met een aandraaimoment van maximaal 30Nm. (Het is een normaal effect dat na een korte periode van gebruik, door het uitoefenen van kracht op de pedalen, de cranks zichzelf gaan zetten).

Een gevolg van wanneer dit niet regelmatig gedaan wordt, is dat er speling kan ontstaan, die vervolgens kan leiden tot beschadiging van de crank en de trapas. Deze speling kan worden weggenomen door de bouten verder aan te draaien.





4. Garantie

4.1 Garantie periode

De eigenaar van dit BERG product heeft de volgende garantie op dit product:

- Gedurende twee jaar na datum op de aankoopnota op het frame.
- Gedurende twee jaar na datum op de aankoopnota op overige onderdelen.
- Op onderdelen die aan slijtage onderhevig zijn (zoals ketting en banden) wordt in het geheel geen garantie gegeven.
- Voor uitgebreide garantiebepalingen, zie www.bergtoys.com.

4.2 Garantie Verordening

De eigenaar van het product kan slechts aanspraak maken op de garantie door de originele aankoopnota aan te bieden. De garantie geldt alleen voor materiaal- en constructiefouten met betrekking tot dit product en de onderdelen. De garantie vervalt wanneer:

- Dit product onjuist en/of onzorgvuldig gebruikt is.
- Het gebruik niet in overeenstemming met de bestemming is.
- Dit product niet conform het instructieboekje geassembleerd en onderhouden is.
- Technische reparaties aan dit product niet op vakkundige wijze verricht zijn.
- Naderhand gemonteerde onderdelen gebruikt zijn die niet overeen komen met de technische specificaties van het betreffende product, of onjuist gemonteerd zijn.
- Naderhand toegevoegde onderdelen of vervangen onderdelen geen officiële BERG onderdelen of accessoires zijn.
- Gebreken ontstaan als gevolg van klimatologische invloeden, zoals roest of normale verwerking van de lak.
- Het product wordt gebruikt voor verhuur of op ander wijze aan meerdere ongespecificeerde personen ter beschikking staat.

Onder geen enkele omstandigheden kan BERG verantwoordelijk worden gehouden voor de schade van producten (of onderdelen) als gevolg van:

- Foutieve afstelling/spanning van stuur, stuurmechanisme, ketting, banden en versnellingsnaaf.
- Niet tijdig vervangen van onderdelen zoals ketting en banden.

Gedurende de garantieperiode zullen alle door BERG vastgestelde materiaal- of constructiefouten ter keuze van BERG worden gerepareerd, dan wel worden vervangen.

De eigenaar kan van dit product slechts aanspraak maken op de garantie door terug te keren naar het bedrijf waar het product gekocht is. Hierbij is het cruciaal dat naast de klacht, ook de originele verkoopbon en het serienummer aangeleverd wordt. Het serienummer is te vinden op het frame van je skelter.

Indien de garantieaanvraag afgewezen wordt, zijn alle gemaakte kosten voor rekening van de eigenaar van het product.

Deze garantie is niet overdraagbaar aan derden.

Einführung

Herzlichen Glückwunsch zum Erwerb Ihres neuen BERG-Produkts!

BERG entwirft und produziert robuste und sichere Produkte. Ihre Wahl für ein BERG Produkt bedeutet, dass sie sich für ein Produkt entschieden haben, das ihnen jahrelang Freude bereiten wird. Durch die konsequente Weiterentwicklung unserer Produkte behalten wir uns allerdings das Recht vor, Produktspezifikationen ohne vorherige Ankündigung zu ändern.

Lesen Sie diese Gebrauchsanweisung sorgfältig durch, damit Sie über alle notwendigen Sicherheits- und Wartungshinweise informiert sind.

Ein BERG Produkt hat eine lange Lebensdauer, benötigt aber von Zeit zu Zeit kleine Wartungsarbeiten. Sie finden die Anleitung für die Wartungsarbeiten in der Bedienungsanleitung. Wenn sie dies berücksichtigen, haben sie ein strapazierfähiges Spielzeug, das viele Jahre halten wird.

Besuchen sie unsere Webseite www.bergtoys.com, um mehr über BERG, unsere Produkte und unser Zubehör zu erfahren. Auch freuen wir uns über eine Mail mit ihren Optimierungsvorschlägen oder anderen Erfahrungen. Sie können diese Mail an info@bergtoys.com senden.

Inhaltsverzeichnis

1. Warnungen!

2. Benutzerhinweise

2.1 Sicherheit

2.2. Benutzeranweisungen

2.2.1 Vor der Benutzung

2.2.2 Bei der Benutzung

2.2.3 Anhänger

2.2.4 Bremsen

2.3 Benutzungseinschränkungen

2.4 Zubehör

3. Wartung

3.1 Wartungsplan

3.2 Wartungsaktivitäten

3.2.1. Rahmen

3.2.2. Räder / Reifen

3.2.3. Lenkung

3.2.4. Kette

3.2.5. Kunststoffteile

3.2.6. Kurbeleinstellung

4. Garantie

4.1 Garantiezeitraum

4.2 Garantieregelung



1. Warnungen

- Beaufsichtigung durch einen Erwachsenen erforderlich.
- Dieses Produkt darf nicht auf öffentlichen Straßen verwendet werden.
- Beim Fahren mit hoher Geschwindigkeit nicht scharf abbiegen. Das Gokart kann umkippen!
- Lagern Sie das Produkt an einem trockenen Ort ohne Feuchtigkeit.
- Achten Sie auf lose herabhängende Kleidungsstücke wie z. B. Schals und Schnürsenkel. Diese können sich in beweglichen Teilen verfangen, was zu Unfällen führen kann.
- Fahren Sie niemals, wenn Sie unter dem Einfluss von Alkohol, von Drogen oder von Medikamenten stehen, die sich negativ auf Ihre Reaktionszeit oder Ihr Auffassungsvermögen auswirken können.

2. Benutzerhinweise

BERG oder der Händler können nicht für eine unsachgemäße Benutzung dieses Produkt verantwortlich gemacht werden. Lesen Sie vor der Benutzung die Hinweise durch, um eine sachgemäße und sichere Benutzung dieses Produkts sicherzustellen. BERG kann nicht für Versäumnisse hinsichtlich der Einhaltung dieser Anleitung verantwortlich gemacht werden.

2.1 Sicherheit

Kinder (unter 12 Jahren) dürfen das Produkt ausschließlich unter der Aufsicht eines Erwachsenen benutzen. Halten Sie stets die größtmöglichen Sicherheitsmaßnahmen ein. Suchen Sie bei Fragen oder Unklarheiten Ihren lokalen Händler auf oder kontaktieren Sie BERG.

2.2 Benutzeranweisungen

Benutzen Sie Ihr BERG-Produkt ausschließlich entsprechend der unten stehenden Anweisungen. Eine unzulässige Benutzung kann schwere Verletzungen des Benutzers und/oder Beschädigungen des Produkts nach sich ziehen.

2.2.1 Vor der Benutzung

- Stellen Sie Sitz und Lenkrad entsprechend der Größe des Benutzers auf die korrekte Position ein.
- Stellen Sie sicher, dass Lenkung, Bremsen und Reifen richtig funktionieren und dass die Schrauben und Muttern fest sitzen.
- Schutzabdeckungen, die zu Wartungszwecken entfernt worden sind, müssen vor der Benutzung stets wieder in dem ursprünglichen Zustand montiert werden.
- Vergewissern Sie sich, dass die elektrischen Teile intakt sind und richtig funktionieren.
- Prüfen Sie, ob der Reifendruck den auf den Reifen angezeigten Sicherheitsnormen entspricht. Die Funktion von Bremse und Lenkung hängt von der richtigen Druckeinstellung ab.
- Erwachsene sind dafür verantwortlich, Kinder in der Bedienung dieses Produkts zu unterweisen.
- Weisen Sie das Kind an, wie man die Bremse benutzt.

2.2.2 Bei der Benutzung

- Fahren Sie mit einer angemessenen Geschwindigkeit, die Sie kontrollieren können.
- Das Bremsen hat immer auf die vorgeschriebene Weise mithilfe der Handbremse/Rücktrittbremse zu erfolgen
- Das Fahrzeug darf nur auf ebenen, hindernisfreien Flächen gefahren werden.
- Schutzkleidung ist nicht vorgeschrieben, wird jedoch empfohlen.
- Stellen Sie sicher, dass ein abgestelltes Fahrzeug nicht unbeabsichtigt wegrollen kann. Verwenden Sie dazu die Handbremse.
- Befestigen Sie keine Gegenstände am oder auf dem Lenkrad. Sorgen Sie dafür, dass das Lenkrad jederzeit uneingeschränkt funktionsfähig ist.

2.2.3 Anhänger

Bedenken Sie beim Anschließen eines Anhängers an das Gokart, dass sich der Bremsweg verlängert. Anhänger von BERG dürfen nicht an steilen Abhängen an das Gokart angeschlossen werden. In dem Anhänger dürfen sich keine Personen aufhalten. Konsultieren Sie die Benutzerhinweise für Anhänger, um die maximale Gewichtslast für den Anhänger in Erfahrung zu bringen.

2.2.4 Bremsen

Das Gokart ist mit einer Spezialnabe ausgestattet. Mit dieser Nabe ist es möglich, während des Vorwärtsfahrens rückwärts in das Pedal zu treten, um am Hinterrad die Bremsfunktion in Gang zu setzen. Hierdurch wird die Bremsfunktion betätigt. Außerdem ist es hierdurch möglich, rückwärts zu fahren.

2.3 Benutzungseinschränkungen

- Schützen Sie das Produkt vor Feuchtigkeit und verwenden Sie es nicht im Freien, wenn es regnet.
- Dieses Produkt darf nicht auf öffentlichen Straßen verwendet werden.
- Unterlassen Sie das Rückwärtsfahren bei hohen Geschwindigkeiten, da Sie hierdurch die Kontrolle verlieren könnten.
- Kollisionen oder sonstige Stunts erhöhen sowohl das Risiko für Verletzungen des Benutzers als auch für Schäden am Produkt und sind untersagt.
- Vermeiden Sie während des Fahrens mit dem Produkt den Kontakt mit beweglichen Teilen.
- Steigen Sie nicht aus dem Produkt aus oder in das Produkt ein, während dieses in Bewegung ist.
- Überladen Sie das Produkt nicht. Das maximale Benutzergewicht beträgt 60 kg.
- Fahren Sie niemals im Dunkeln ohne Beleuchtung.
- Fahren Sie bei hoher Geschwindigkeit keine scharfen Kurven, da das Fahrzeug sonst kippen kann.
- Dieses Produkt darf nicht auf hügeligem oder abschüssigem Gelände benutzt werden. Fahren Sie weder auf- oder abwärts noch schräg über geneigte Flächen.

2.4 Zubehör

- Es dürfen ausschließlich Original-Zubehörteile von BERG verwendet werden. BERG hat eine Vielzahl von Zubehörteilen, mit denen Sie Ihr Gokart ganz nach eigenen Wünschen anpassen können. Sie finden alle Zubehörteile unter www.bergtoys.com.
- Für den korrekte Verwendung und Montage des Zubehörs lesen Sie bitte die beiliegende Bedienungs- oder Montageanleitung
- Alle Zubehörteile müssen von einem Erwachsenen zusammengebaut werden und während der Verwendung von einem Erwachsenen beaufsichtigt werden.



3. Wartung

Bestimmte Wartungsaktivitäten sind erforderlich, damit das BERG-Produkt für lange Zeit benutzt werden kann und Freude bereitet. In diesem Abschnitt ist beschrieben, wie oft welche Wartungsaktivitäten durchzuführen sind.

3.1 Wartungsplan

Täglich	Monatlich	Halbjährlich	Jährlich
Räder / Reifen <ul style="list-style-type: none"> • Auf Verschleiß prüfen. • Reifendruck prüfen und Druck gegebenenfalls erhöhen. 	Rahmen <ul style="list-style-type: none"> • Alle Muttern und Schrauben reinigen und prüfen. • Den Rahmen auf Risse und Bruchstellen prüfen. Kunststoffgehäuse <ul style="list-style-type: none"> • Alle Schrauben und Bolzen reinigen, kontrollieren und festziehen. • Kunststoffgehäuse auf Risse und Brüche kontrollieren. Antriebsmechanismus <ul style="list-style-type: none"> • Die Kette auf korrekte Spannung prüfen. • Kette schmieren. • Auf Sand oder Verschmutzung prüfen und wenn notwendig reinigen. • Schrauben überprüfen und anziehen. Lenkung <ul style="list-style-type: none"> • Alle Muttern und Schrauben prüfen. • Bewegliche Teile schmieren. • Auf Sand oder Verschmutzung prüfen und wenn notwendig reinigen. 	Antriebsmechanismus <ul style="list-style-type: none"> • Lager, Kette, Nabe, Kettenräder und Achsen auf korrekte Funktion hin prüfen. Kunststoffteile <ul style="list-style-type: none"> • Kunststoffteile reinigen und auf Schäden prüfen. 	Kunststoffteile <ul style="list-style-type: none"> • Kunststoffteile reinigen und auf Schäden prüfen.

3.2 Wartungsaktivitäten

3.2.1 Rahmen

Der Rahmen ist pulverbeschichtet oder mit schwarzen Platten verzinkt. Zur Vermeidung von Korrosion ist es wichtig, den Pedal-Gokart nicht für längere Zeit im Regen stehen zu lassen und den Rahmen regelmäßig zu reinigen. Zur Pflege des Rahmens mit Schmierfett ausschließlich säurefreie Substanzen verwenden. Beschädigte Bereiche können mit Lack überstrichen werden.

Prüfen Sie Schrauben und Muttern auf Korrosion, um vorsorglich ein Brechen der Schrauben und die damit verbundenen Verletzungen oder Schäden zu vermeiden.

3.2.2 Räder / Reifen

Die Felgen und Reifen regelmäßig auf Schäden (z. B. Einschnitte, Risse und Beulen) prüfen. Achtung: Beschädigte Felgen und Reifen können zu Unfällen führen! Die Reifen dürfen nicht mit Öl, Schmierfett oder Kraftstoff in Kontakt kommen.

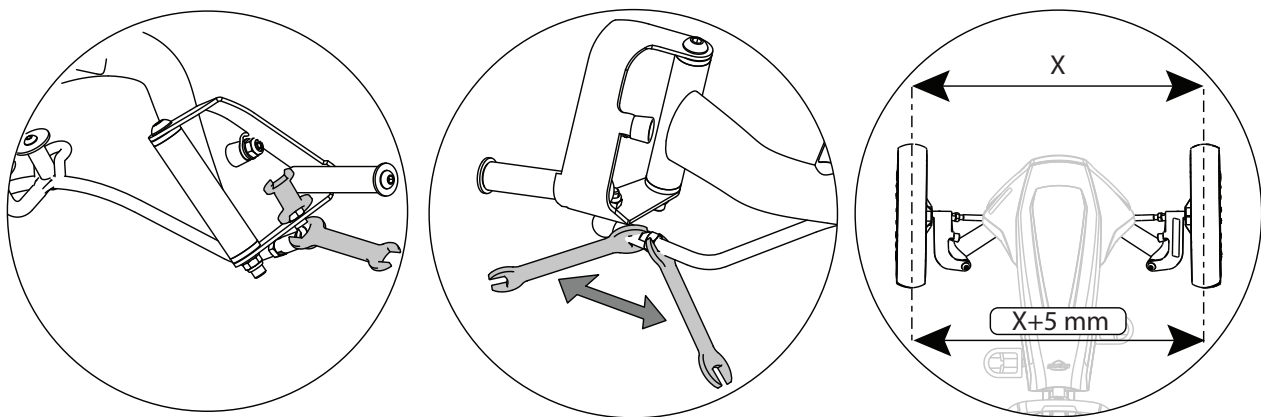
Der korrekte Reifendruck wird auf dem Reifenäußeren angezeigt. Falls die Reifen den richtigen Druck haben, kann das Produkt leicht und einfach gesteuert werden. Bei zu geringem Druck werden die Reifen schneller undicht und diese sind übermäßigem Verschleiß und übermäßiger Abnutzung ausgesetzt. Bei zu hohem Druck kann sich der Reifen z. B. von der Felge lösen, was zu Gefahrensituationen führen kann. Achtung: Bedenken Sie, dass bei direkter Sonneneinstrahlung und bei hohen Temperaturen der Reifendruck ansteigt! Die Reifen dürfen nicht mit Öl, Schmierfett oder Kraftstoff in Kontakt kommen. Stellen Sie sicher, dass die Ventilkappen stets auf den Ventilen befestigt sind.

Ein falscher Reifendruck beeinträchtigt die Funktionsfähigkeit und Sicherheit der Handbremse und Feststellbremse. Die Bremsleiste ist so konstruiert, dass sie beim richtigen Reifendruck optimal funktioniert.“

3.2.3 Lenkung

Die Lenkanlage muss monatlich auf folgende Faktoren hin geprüft werden:

- Schaden, Korrosion, Verschleiß und Abnutzung.
- Alle Muttern und Schrauben müssen festgezogen sein.
- Prüfen Sie, ob die Vordräder richtig ausgerichtet sind. Falls erforderlich, stellen Sie sie gemäß dem beigefügten Schema ein.



3.2.4 Kette

Das Gokart verfügt über einen Antriebsmechanismus mit zwei Ketten.

Stellen Sie sicher, dass die Ketten ausreichend geölt sind, sodass diese sich reibungslos bewegen können. Falls eine Kette zu eng gespannt ist, wird die Betätigung des Pedals erschwert und es besteht ein hohes Risiko dafür, dass unter anderem an Kette und Kettenrad schneller Verschleiß und Abnutzung eintritt. Falls eine Kette nicht eng genug gespannt ist, kann sich die Kette leicht von dem Kettenrad lösen oder das Kettengehäuse kann beschädigt werden.

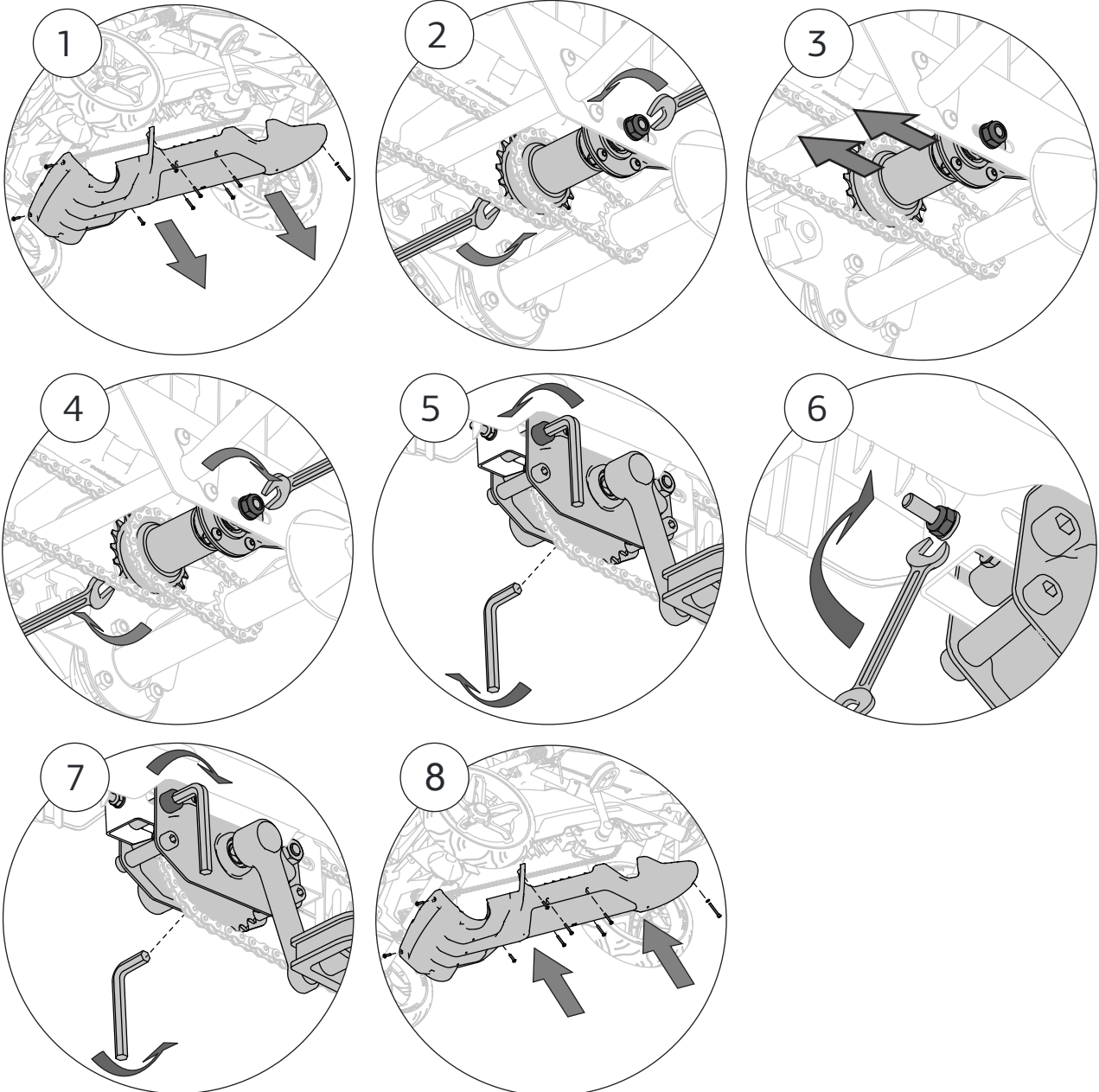
Beginnen Sie stets mit der hinteren/kurzen Kette, wenn beide Ketten gespannt werden müssen.

Zur Spannung der hinteren Kette:

- Entfernen Sie die Schutzhaube.
- Lösen Sie die Nabenmutter.
- Spannen Sie die Kette, indem Sie die Nabe nach vorne bewegen.
- Stellen Sie sicher, dass die Nabe genau parallel zu der Hinterachse bleibt.
- Ziehen Sie die Nabenmutter wieder fest.
- Die Kette ist richtig gespannt, wenn sich das Mittelteil sechs Millimeter nach unten ziehen lässt.

Spannung der vorderen Kette:

- Lösen Sie die Schrauben der Kurbelachse an der Unterseite des Rahmens.
- Spannen Sie die Kette, indem Sie die Befestigungsmutter im Uhrzeigersinn drehen.
- Ziehen Sie die Schrauben wieder fest. Die Mitte der Kette muss sich um 1 Zentimeter nach unten schieben lassen. Überprüfen Sie dies, bevor Sie die Schutzhaube wieder anbringen.
- Bringen Sie die Schutzhaube wieder an ihrem Platz an.



3.2.5 Kunststoffteile

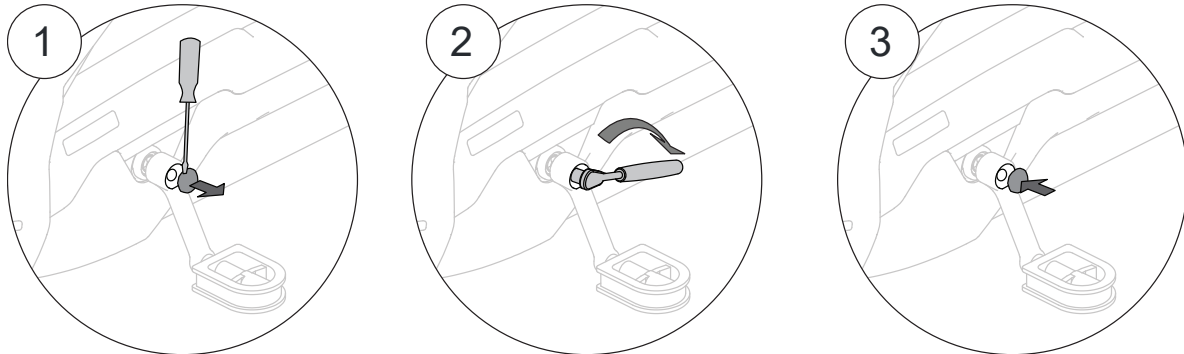
Die Kunststoffteile müssen regelmäßig auf Schäden und Bruchstellen hin geprüft werden.

Im Falle einer Bruchstelle muss das betreffende Teile umgehend mit einem Originalteil ausgetauscht werden, damit die Sicherheit des Benutzers gewährleistet ist.

3.2.6 Kurbeleinstellung

Nach Benutzung des neuen Produkts für mehrere Tage (intensive Benutzung) oder für bis zu zwei Wochen (normale Benutzung) im Anschluss an den Kauf, müssen die Befestigungsschrauben zur Befestigung der linken und rechten Kurbeln nachgezogen werden (siehe Abbildung unten). Achten Sie auf eine „handfeste“ Spannung, d. h. einen Anzugdrehmoment von maximal 30 Nm (es ist ein normaler Effekt, dass aufgrund der auf die Pedale ausgeübten Kraft die Handkurbeleinheit nach kurzer Benutzungszeit einrastet).

Wenn dies nicht regelmäßig durchgeführt wird, kann ein bestimmtes Ausmaß an Spiel entstehen, was zu Beschädigungen der Kurbel und der Kurbelachse führen kann. Dieses Spiel kann durch Festziehen der Schrauben ausgeglichen werden.



4. Garantie

4.1 Garantiezeitraum

Für dieses Produkt gewährt BERG dem Eigentümer die folgenden Garantien:

- Während zwei Jahren nach dem Datum der Kaufrechnung Garantie auf den Rahmen.
- Während zwei Jahren nach dem Datum der Kaufrechnung Garantie auf die übrigen Teile.
- Für Verschleißteile (z. B. Kette und Reifen) wird keine Garantie gewährt.
- Prüfen Sie www.bergtoys.com für umfangreiche warranty Vorschriften.

4.2 Garantiebestimmungen

Die Garantie für dieses Produkt kann nur vom Eigentümer unter Vorlage der Original-Kaufrechnung in Anspruch genommen werden. Die Garantie erstreckt sich ausschließlich auf Material- und Konstruktionsfehler an diesem Produkt und seinen Teilen. Die Garantie erlischt, wenn:

- das Produkt unsachgemäß oder unsorgfältig verwendet wird;
- das Produkt zweckentfremdet genutzt wird;
- das Produkt nicht gemäß der Gebrauchsanweisung montiert und gewartet wird;
- an dem Produkt unsachgemäße technische Reparaturen vorgenommen werden;
- nachträglich Teile montiert werden, die nicht den technischen Spezifikationen des Produkts entsprechen, oder nachträglich auf unsachgemäße Weise Teile montiert werden;
- nachträglich montierte Teile oder Ersatzteile kein offizielles BERG-Zubehör bzw. keine offiziellen BERG-Teile;
- witterungsbedingte Schäden wie Korrosion oder normale Lackverwitterung entstehen;
- das Produkt vermietet oder auf andere Weise mehreren un spezifizierten Personen zur Verfügung gestellt wird.

BERG haftet in keinem Fall für Schäden am Produkt oder an Teilen des Produkts, die die Folge sind:

- einer fehlerhaften Einstellung/Spannung des Lenkrades, des Lenkmechanismus, der Kette, der Reifen oder der Gangnabe;
- des nicht rechtzeitig erfolgten Austausches von Verschleißteilen wie Kette und Reifen.

Während des Garantiezeitraums werden alle von BERG festgestellten Material- oder Konstruktionsfehler nach Wahl von BERG repariert oder ausgetauscht."

Der Eigentümer dieses Produkts kann Anspruch auf Garantie erheben, indem er sich an den Händler wendet, bei dem er dieses Produkt gekauft hat. Neben der Beanstandung werden die Seriennummer des Produkts und der originale Kaufbeleg benötigt. Sie finden die Seriennummer auf dem Rahmen des Produkts.

Bei Ablehnung eines Garantieantrags trägt der Eigentümer des Produkts alle entstandenen Kosten.

Diese Garantie ist nicht auf Dritte übertragbar.



Introduction

Vous avez choisi un produit BERG et nous vous en félicitons.

BERG conçoit et fabrique des produits sûrs et robustes. Vous avez choisi un produit BERG. Cela signifie des années de plaisir. En raison du développement continu de nos produits, nous nous réservons le droit de modifier les spécifications du produit sans vous en avertir.

Lisez attentivement la présente notice d'utilisation afin de connaître les consignes de sécurité et d'entretien nécessaires.

Le produit BERG a une longue durée de vie mais il aura besoin d'entretien de temps en temps. Vous trouverez les instructions pour la maintenance dans le manuel de l'utilisateur. Les gens qui gardent cela à l'esprit ont la garantie d'un jouet solide, qui va durer pendant de nombreuses années.

Visitez notre page d'accueil www.bergtoys.com pour en savoir plus sur BERG et voir nos produits et accessoires. Vous êtes cordialement invités à envoyer un e-mail à BERG, avec vos suggestions d'amélioration ou autres remarques. Vous pouvez les envoyer à info@bergtoys.com.

Contenu

1. Avertissements
2. Directives destinées aux utilisateurs
 - 2.1 Sécurité
 - 2.2 Consignes pour les utilisateurs
 - 2.2.1 Avant utilisation
 - 2.2.2 Pendant utilisation
 - 2.2.3 Remorque
 - 2.2.4 Frein
 - 2.3 Limites d'utilisation
 - 2.4 Accessoires
3. Maintenance
 - 3.1 Schéma de maintenance
 - 3.2 Activités de maintenance
 - 3.2.1 Cadre
 - 3.2.2 Roues / Pneus
 - 3.2.3 Direction
 - 3.2.4 Chaîne
 - 3.2.5 Pièces en plastique
 - 3.2.6 Réglage de la manivelle
4. Garantie
 - 4.1 Durée de la garantie
 - 4.2 Règlement de la garantie

1. Avertissements

- Les enfants (de moins de 12 ans) ne sont pas autorisés à utiliser le produit que sous la surveillance d'un adulte.
- Ce produit ne doit pas être utilisé sur la voie publique.
- Ne pas tourner brusquement lors de la conduite à vitesse élevée. Le kart à pédale peut basculer !
- Stockez le produit dans un environnement sec et sans humidité.
- Faites attention aux vêtements volants tels que les écharpes ou lacets. Ces derniers peuvent s'entremêler dans les pièces en mouvements, pouvant causer ainsi des accidents.
- Ne jamais conduire si vous êtes sous l'influence de l'alcool, drogue ou médicament pouvant avoir un effet négatif sur votre temps de réaction ou votre capacité d'observation

2. Directives destinées aux utilisateurs

BERG ou le vendeur ne peuvent être tenus responsables de la mauvaise utilisation du présent produit. Veuillez lire les présentes directives afin d'utiliser ce produit correctement et en toute sécurité. BERG ne peut être tenu responsable pour toute omission dans le présent manuel.

2.1 Sécurité

Les enfants (moins de 12 ans) ne sont autorisés à utiliser ce produit que sous la surveillance d'un adulte. Veuillez toujours faire le plus attention possible aux mesures de sécurité. Si vous avez des questions ou n'êtes pas sûrs d'un point, veuillez rendre visite à votre vendeur ou contacter BERG.

2.2 Consignes pour les utilisateurs

Toujours utiliser le produit BERG comme indiqué plus bas. Toute autorisation non autorisée peut entraîner des blessures graves de l'utilisateur et/ou du produit.

2.2.1 Avant utilisation

- Ajustez le siège et le volant à la bonne position en fonction de la taille de l'utilisateur.
- Assurez-vous que le volant, les freins et les pneus fonctionnent correctement et que les boulons et écrous sont fixés.
- Les protections ayant été retirées pour la maintenance doivent toujours être replacées à leur emplacement original avant utilisation.
- Assurez-vous que les parties électriques sont intactes et fonctionnent correctement.
- Vérifiez la pression des pneus et assurez-vous qu'elle est conforme à la norme indiquée sur le pneu. Voir maintenance.
- L'adulte porte la responsabilité de donner les consignes à l'enfant pour utiliser ce produit.
- Instruire l'enfant de la façon d'utiliser le frein.

2.2.2 Pendant utilisation

- Roulez à une vitesse adaptée et contrôlable.
- Faites toujours bien attention à l'entourage pendant l'utilisation.
- Freinez toujours de la manière indiquée en utilisant le frein à main/ frein à rétro-pédalage.
- Roulez toujours sur une surface plane sans obstacles.
- Le port de vêtements de protection n'est pas obligatoire mais conseillé.
- Veillez à ce que le produit, lorsqu'il est stationné puisse pas rouler inopinément. Utilisez le frein de stationnement.
- Ne placez pas d'objets sur ou au volant. Veillez à ce que le volant puisse toujours bien fonctionner.



2.2.3 Remorque

Si une remorque est reliée au kart à pédale, souvenez-vous que la distance de freinage sera plus longue. Il est impossible d'attacher les remorques BERG sur le kart à roulette en se tenant sur des pentes raides. Personne ne doit monter sur la remorque. Veuillez consulter le guide d'utilisation de la remorque pour le poids de charge maximum.

2.2.4 Frein

Le kart à roulette est équipé d'un hub spécial. Avec ce hub, il est possible de pédaler à l'envers tout en roulant vers l'avant, afin d'utiliser la fonction de freinage dans la roue arrière. Ceci permet d'actionner la fonction de freinage. En outre, il est aussi possible de rouler vers l'arrière.

2.3 Limites d'utilisation

- Protégez le produit de l'humidité, ne l'utilisez pas à l'extérieur par temps de pluie.
- Ce produit ne doit pas être utilisé sur la voie publique.
- Ne pas rouler vers l'arrière à vitesse élevée. Vous pourriez perdre le contrôle de cette façon.
- Les collisions et autres cascades augmentent les chances de blesser l'utilisateur et d'endommager le produit et ne sont donc pas autorisées.
- Évitez tout contact entre les pièces en mouvement lorsque vous conduisez le produit.
- Ne pas monter ou descendre du produit lorsqu'il est en mouvement
- Ne pas surcharger le produit. Le poids maximum par utilisateur est 60 kg.
- Ne jamais conduire dans le noir sans éclairage
- Ne prenez pas de virages serrés à grande vitesse, le produit risque de se retourner.
- L'utilisation de ce produit n'est pas autorisée sur des terrains en pente et à forte déclivité. Ne montez pas ou ne descendez pas une pente ou ne roulez pas en travers d'une pente.

2.4 Accessoires

- Uniquement les accessoires BERG sont utilisables. BERG dispose d'une gamme d'accessoires permettant d'adapter entièrement le kart à pédale à vos envies. Tous les accessoires sont disponibles sur www.bergtoys.com.
- Pour une utilisation correctes d'un accessoire, veuillez vous référer au manuel correspondant.
- Tous les accessoires doivent être assemblés par un adulte et leur utilisation supervisée par un adulte.

3. Maintenance

Il est nécessaire d'effectuer de la maintenance pour utiliser le produit BERG et s'amuser sur le long terme. Le présent chapitre explique la méthode, la fréquence et le type de maintenance à effectuer.

3.1 Schéma de maintenance

Quotidien	Mensuel	Bi-annuel	Annuel
<p>Roues / Pneus</p> <ul style="list-style-type: none"> • Vérifier l'équipement. • Vérifier et augmenter si nécessaire la pression des pneus. 	<p>Cadre</p> <ul style="list-style-type: none"> • Nettoyer et vérifier tous les boulons et écrous. • Vérifier si le cadre présente des fissures ou cassures. <p>Boîtier en plastique</p> <ul style="list-style-type: none"> • Nettoyer, vérifier et serrez tous les vis et boulons. • Vérifier si le boîtier en plastique n'a pas de failles ou de fissures. <p>Mécanisme de conduite</p> <ul style="list-style-type: none"> • Vérifier la bonne tension de la chaîne. • Graissage de la chaîne. • Vérifier si le boîtier en plastique n'a pas de saleté ou de sable et nettoyez si nécessaire. • Vérifier et serrez les boulons. <p>Direction</p> <ul style="list-style-type: none"> • Vérifier tous les boulons et écrous. • Lubrifiez les pièces en mouvement. • Nettoyez et huilez les chaînes. • Vérifier tous les vis en boulons. • Vérifier si le boîtier contient pas de saleté ou de sable et nettoyez si nécessaire. 	<p>Mécanisme de conduite</p> <ul style="list-style-type: none"> • Vérifier le bon fonctionnement des paliers, la chaîne, le hub, les pignons et axes. <p>Les pièces en plastique</p> <ul style="list-style-type: none"> • Nettoyez les pièces en plastique et vérifiez les dégâts. 	<p>Les pièces en plastique</p> <ul style="list-style-type: none"> • Nettoyez les pièces en plastique et vérifiez les dégâts.

3.2 Activités de maintenance

3.2.1 Cadre

Le cadre est revêtu à la poudre ou plaqué au zinc noir. Afin de prévenir la corrosion, il est important de ne pas laisser le kart à pédales pendant une longue période à l'extérieur lorsqu'il pleut et également de nettoyer régulièrement le châssis. Si vous souhaitez conserver le cadre avec de la graisse, utilisez seulement des substances non acides. Vous pouvez traiter les zones abimées à la peinture. Vérifier la rouille sur les boulons et écrous et remplacez-les pour éviter qu'ils ne se brisent en engendrant des blessures.

3.2.2 Roues / Pneus

Vérifiez régulièrement si les rebords et pneus sont endommagés (par exemple coupés, fissurés ou bombés). Attention : des rebords et pneus endommagés peuvent entraîner des accidents ! Les pneus ne doivent pas entrer en contact avec l'huile, la graisse ou l'essence.

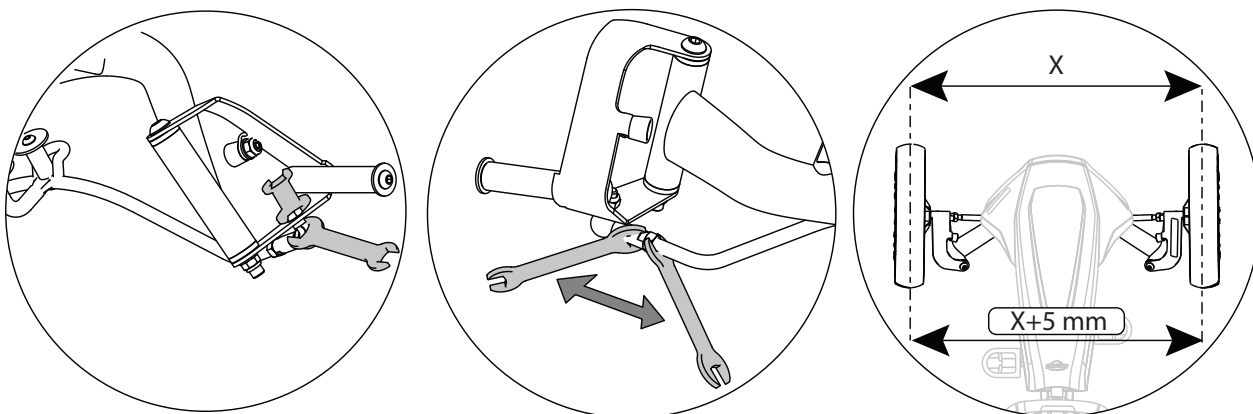
Le bonne pression des pneus est affichée en dessous du pneu. Si les pneus sont à la bonne pression, le produit sera léger et facile à manipuler. Si la pression est trop basse, les pneus vont fuir rapidement et subiront une usure et déchirure excessive. Si la pression est trop élevée, le pneu par exemple s'échapper du rebord, entraînant des situations dangereuses. Attention : n'oubliez pas que les rayons chauds du soleil et les températures élevées augmentent la pression des pneus. Les pneus ne doivent pas entrer en contact avec l'huile, la graisse ou l'essence. Assurez-vous que les capuchons des valves sont toujours mis sur les valves.

Une pression de pneu incorrecte affectera négativement la fonctionnalité et la sécurité du frein à main et du frein de stationnement. La barre de freinage est conçue pour fonctionner de manière optimale lorsque la pression des pneus est correcte.

3.2.3 Volant

L'équipement du volant doit être vérifié chaque mois sur les points suivants :

- Dégâts, rouilles, usure et déchirure.
- Dommages et usure.
- La vis se trouvant à l'arrière du fuidon doit être serrée.
- Tous les boulons et écrous doivent être serrés.
- Vérifiez si les poignées sont encore fixées en bonne position.
- Vérifiez si les roues avant sont correctement alignées. Si nécessaire, ajustez selon le schéma ci-joint.



3.2.4 Chaîne

Le kart à pédale dispose d'un mécanisme et conduite à deux chaînes.

Assurez-vous que les chaînes sont suffisamment huilées afin de pouvoir vous déplacer librement.

Si la chaîne est trop sous tension, le pédalage peut être plus difficile et il y a une forte chance que la chaîne et le pignon s'usent ou se brisent plus vite, parmi d'autres points. Si la chaîne n'est pas assez sous tension, cette dernière peut facilement passer sur le pignon ou il y a une forte chance d'endommager le boîtier de la chaîne.

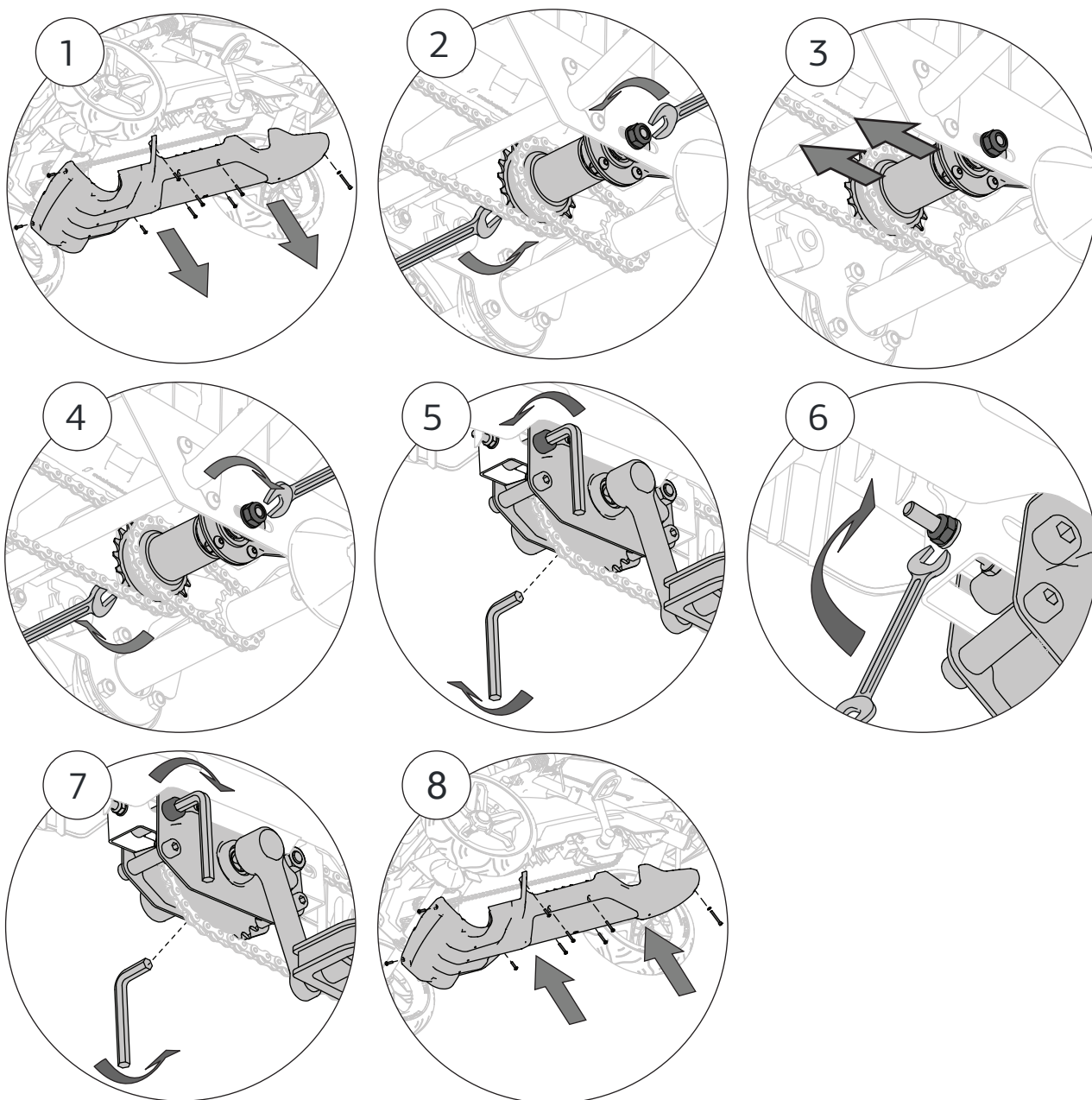
Lorsque les deux chaînes doivent être sous tension, commencez toujours par la chaîne arrière / courte.

Pour tendre la chaîne arrière :

- Retirez le capuchon de protection.
- Désserrez les écrous du hub.
- Tendez la chaîne en déplaçant le hub vers l'avant.
- Assurez-vous que le hub reste exactement parallèle à l'axe arrière.
- Retendez les écrous du hub.
- La chaîne dispose de la bonne tension s'il est possible de pousser le milieu de 6 millimètres vers le bas.

Tendre la chaîne avant :

- Désserrez les boulons de l'axe de la manivelle au bas du cadre.
- Tendez la chaîne en tournant l'écrou de tension dans le sens des aiguilles d'une montre
- Resserrez les vis. Il doit être possible de pousser le milieu de la chaîne vers le bas d'un centimètre. Vérifiez cela avant de remettre le capot de protection en place.
- Remettez le capot de protection en place.



3.2.5 Pièces en plastique

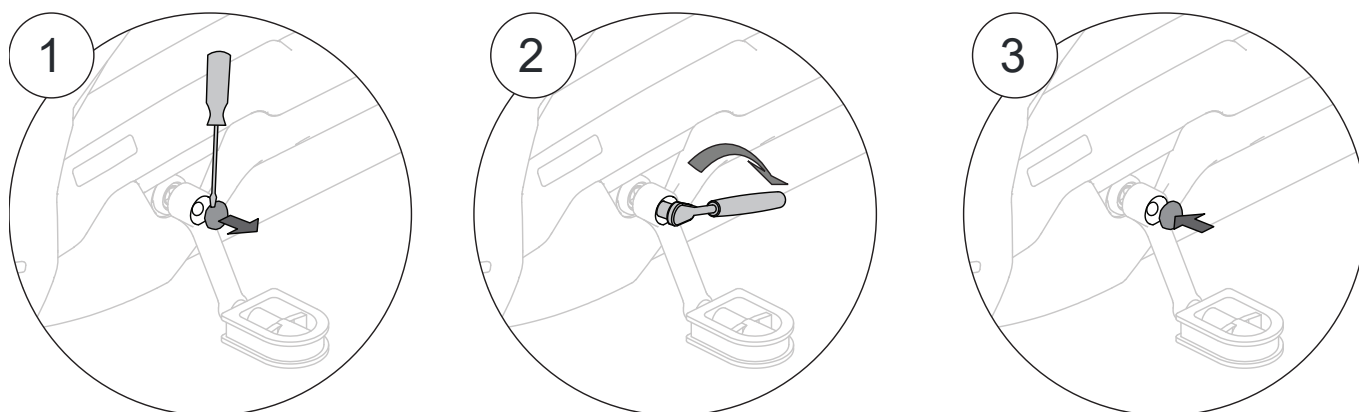
Il faut contrôler régulièrement la présence de dégâts de casse sur les pièces en plastique.

En cas de casse, vous devez immédiatement remplacer la pièce concernée avec une pièce originale afin de garantir la sécurité de l'utilisateur.

3.2.6 Ajustement de la manivelle

Après avoir utilisé le produit pendant plusieurs jours (utilisation intense) ou pendant deux semaines (utilisation normale) après l'achat, les boulons de montage avec lesquelles les manivelles de gauche et de droite sont montées doivent être serrés à nouveau (voir illustration ci-dessous). Veuillez noter qu'elles doivent être "serrées à la main", c'est-à-dire avec un serrage de 30 Nm au maximum (il est normal que l'assemblage de la manivelle se règle après une période d'utilisation en raison de la force appliquée aux pédales).

Si ceci n'est pas fait régulièrement, il est possible qu'une certaine dose de jeu peut survenir, engendrant des dégâts sur la manivelle et l'axe de la manivelle. Ce jeu peut être réduit en serrant davantage les boulons.



4. Garantie

4.1 Période de garantie

Le propriétaire de ce produit BERG bénéficie des garanties suivantes sur le produit:

- Garantie de 2 ans sur le châssis à compter de la date figurant sur la facture d'achat.
- Garantie de 2 ans sur les autres pièces à compter de la date figurant sur la facture d'achat.
- Aucune garantie n'est accordée sur les pièces soumises à usure (comme chaîne et pneus).
- Vérifiez www.bergtoys.com pour une vaste réglementation de Garantie retour.

4.2 Règlement relatif à la garantie

Le propriétaire de ce produit ne peut faire valoir la garantie que sur présentation de l'original de la facture d'achat. La garantie couvre uniquement les défauts de fabrication et les défauts liés aux matériaux, qui concernent ce produit et les pièces détachées. La garantie devient caduque lorsque:

- Ce produit a été utilisé de manière erronée et/ou inappropriée.
- L'utilisation n'est pas conforme à celle à laquelle le produit est destiné.
- Ce produit n'a pas été assemblé et entretenu conformément au manuel d'instructions.
- Des réparations techniques sur ce produit n'ont pas été effectuées de manière professionnelle.
- Des pièces qui ne sont pas conformes aux spécifications techniques du produit concerné ont été montées après-coup ou ont été montées de façon erronée.
- Les pièces détachées ajoutées après-coup ou remplacées ne sont pas des pièces détachées ou des accessoires officiels de BERG.
- Des défauts apparaissent suite aux conditions climatiques, comme rouille ou altération normale de la peinture.
- Le produit est utilisé à la location ou est mis d'une autre manière à la disposition de plusieurs personnes non spécifiées.

BERG ne peut en aucun cas être tenu responsable de dommages causés au (aux pièces détachées du) produit en conséquence:

- D'un réglage erroné de la direction, du mécanisme de direction ou du moyeu de la boîte de vitesse, d'une tension erronée de la chaîne ou d'une pression erronée des pneus.
- D'un remplacement tardif de pièces d'usure, comme chaîne et pneus.

Pendant la période de garantie, tous les défauts de fabrication ou défauts liés aux matériaux, constatés par BERG seront soit réparés soit remplacés, au choix de BERG.

Le propriétaire du produit peut seulement réclamer au titre de cette garantie en revenant à la société où le produit a été acheté. Outre la plainte, prendre le numéro de série du produit et le reçu d'achat original avec vous. Vous pouvez trouver le numéro de série sur le châssis du produit.

Si la demande de garantie est rejetée, tous les frais occasionnés sont à la charge du propriétaire du produit

Cette garantie n'est pas cessible à des tiers.



Introducción

Felicitaciones por haber elegido un producto de BERG.

BERG diseña y produce un producto resistente y seguro. Usted ha elegido un producto BERG, esto significa que ha elegido un producto que le durará muchos años. Debido al desarrollo continuo de nuestros productos, nos reservamos el derecho de cambiar las especificaciones sin dar ningún aviso.

Lea detenidamente este manual de usuario para las instrucciones necesarias de seguridad y mantenimiento.

El producto BERG tiene una larga vida útil, pero necesitará un poco de mantenimiento de vez en cuando. Encontrará las instrucciones para el mantenimiento en este manual del usuario. Las personas que mantienen los productos, están garantizando que sea un juguete resistente al desgaste y que va a durar muchos años.

Visita nuestra página web www.bergtoys.com para saber más acerca de BERG y ver nuestros productos y accesorios. Les invitamos a enviar un correo electrónico a BERG, con sus propuestas de mejora y otras experiencias. Los puede enviar a info@bergtoys.com.

Índice

1. Advertencias
2. Directrices para el usuario
 - 2.1 Seguridad
 - 2.2 Instrucciones de uso
 - 2.2.1 Antes del uso
 - 2.2.2 Durante el uso
 - 2.2.3 Remolque
 - 2.2.4 Frenos
 - 2.3 Restricciones de uso
 - 2.4 Accesorios
3. Mantenimiento
 - 3.1 Plan de mantenimiento
 - 3.2 Actividades de mantenimiento
 - 3.2.1 Cuadro
 - 3.2.2 Ruedas/Cubiertas
 - 3.2.3 Dirección
 - 3.2.4 Cadena
 - 3.2.5 Piezas de plástico
 - 3.2.6 Ajuste de las bielas
4. Garantía
 - 4.1 Periodo de garantía
 - 4.2 Regulación de la garantía

1. Advertencias

- Los niños (menores de 12 años) sólo podrán usar el producto bajo la supervisión de un adulto.
- Este producto no está autorizado para circular por carreteras públicas.
- No realizar giros bruscos a alta velocidad. El coche podría volcar.
- Guarde el producto en un lugar seco y sin humedad.
- Tenga cuidado con bufandas, cordones y similares. Podrían engancharse en las piezas móviles del coche y causar un accidente.
- No montar nunca bajo influencia del alcohol, drogas o medicinas que puedan afectar de forma negativa al tiempo de reacción o la capacidad de observación.

2. Directrices para el usuario

No se podrá responsabilizar a BERG ni al distribuidor del uso indebido de este producto. Lea estas directrices con antelación para un uso adecuado y seguro del producto. BERG no se responsabiliza de ninguna omisión en este manual.

2.1 Seguridad

Los niños menores de 12 años solo pueden usar el producto bajo la supervisión de un adulto. Tome siempre las mayores medidas de seguridad posibles. Si tiene preguntas o dudas sobre alguna cuestión, visite a su distribuidor local o póngase en contacto con BERG.

2.2 Instrucciones de uso

Utilice su producto BERG únicamente de acuerdo con las siguientes instrucciones. Tanto el usuario como el producto podrían sufrir graves daños a causa de cualquier uso no autorizado.

2.2.1 Antes del uso

- Ajuste el asiento y el volante a la posición adecuada para el tamaño del usuario.
- Compruebe que la dirección, los frenos y las ruedas funcionan correctamente y que los tornillos y tuercas están bien apretados.
- Las cubiertas protectoras que se hayan retirado para realizar tareas de mantenimiento, deberán volver a colocarse siempre en su posición original antes de usar el coche.
- Asegurarse de que las partes eléctricas están intactas y funcionan correctamente.
- Compruebe la presión de los neumáticos y asegúrese de que cumplen con la norma como se muestra en el neumático. Ver mantenimiento.
- El adulto es el responsable de explicarle al niño cómo usar este producto.
- Instruya al niño sobre cómo usar el freno.

2.2.2 Durante el uso

- El coche se debe conducir a una velocidad adecuada que permita mantener el control sobre el mismo.
- Prestar en todo momento atención al entorno durante el uso.
- Frenar siempre de la forma precrita, haciendo uso del freno de mano/freno contrapedal.
- Conducir siempre en una superficie llana sin obstáculos.
- Se recomienda llevar ropa protectora, aunque no es obligatorio.
- Asegurar que el producto, cuando está aparcado, no pueda salir rodando. Usa el freno de aparcamiento.
- No colocar objetos encima o colgar objetos del volante. Asegurar que el volante funcione correctamente en todo momento.



2.2.3 Remolque

Si hay un remolque enganchado al coche, debe recordar que la distancia de frenado será más larga. Los remolques de BERG no se deben enganchar al coche en pendientes pronunciadas. No está permitido llevar personas en el remolque. Para ver el peso máximo autorizado en el remolque, consulte el manual de usuario del mismo.

2.2.4 Frenos

El coche está equipado con un buje especial que permite activar el freno de las ruedas traseras pedaleando hacia atrás cuando se avanza hacia delante. Con esta acción se opera la función de freno. Además de frenar, también existe la posibilidad de dar marcha atrás.

2.3 Restricciones de uso

- Proteger el producto de la humedad, no usar en exterior cuando está lloviendo.
- Este producto no está autorizado para circular por carreteras públicas.
- No se debe ir marcha atrás a demasiada velocidad, pues se puede perder el control del coche.
- Las colisiones y otros trucos incrementan la probabilidad de que el usuario y el producto sufran daños y no están permitidos.
- Evitar el contacto con las piezas móviles del coche al conducir.
- No subir o bajar del coche cuando este se encuentre en movimiento.
- No sobrecargar el producto. El peso máximo del usuario es 60 kg.
- No montar nunca sin luces en un entorno oscuro.
- No tomar curvas cerradas a alta velocidad, existe el riesgo de que el producto se vuelque!
- No se permite usar este producto en cuestas y pendientes. No conducir cuesta arriba ocuesta abajo o en diagonal por una pendiente.

2.4 Accesorios

- Usar solo accesorios originales BERG. La gama de accesorios BERG permite adaptar el coche por completo a sus propios deseos. Todos los accesorios disponibles se encuentran en www.bergtoys.com.
- Para el uso e instalación correctos de un accesorio, consultar el manual suministrado.
- Todos los accesorios deben ser montados por un adulto y supervisados por un adulto durante su uso.

3. Mantenimiento

Para usar el producto BERG y disfrutar de él durante mucho tiempo, es necesario realizar algunas tareas de mantenimiento. Este capítulo describe cómo, con qué frecuencia y qué tipo de mantenimiento debe ejecutarse.

3.1 Plan de mantenimiento

Diario	Mensual	Semestral	Anual
Ruedas / Cubiertas <ul style="list-style-type: none"> Comprobar el desgaste. Comprobar la presión de las ruedas e hinchar en caso de necesidad. 	Cuadro <ul style="list-style-type: none"> Limpiar y revisar todos los tornillos y tuercas. Comprobar que el cuadro no tiene grietas ni fracturas. Cacasa de plástico <ul style="list-style-type: none"> limpiar, controlar y ajustar todos los tornillos y pernos. Comprobar si la carcasa de plástico presenta grietas y roturas. Mecanismo de tracción <ul style="list-style-type: none"> Comprobar la correcta tensión de la cadena. Engrasar la cadena. Comprobar si hay arena o suciedad y, si es necesario limpiar. Controlar y ajustar todos los pernos. Dirección <ul style="list-style-type: none"> Comprobar todos los tornillos y tuercas. Lubricar las partes móviles. Limpiar y engrasar las cadenas. Controlar todos los tornillos y pernos. 	Mecanismo de tracción <ul style="list-style-type: none"> Comprobar el correcto funcionamiento de rodamientos, cadenas, buje, piñones y ejes. Piezas de plástico <ul style="list-style-type: none"> Limpiar las piezas de plástico y comprobar que no hay daños. 	Piezas de plástico <ul style="list-style-type: none"> Limpiar las piezas de plástico y comprobar que no hay daños.

3.2 Actividades de mantenimiento

3.2.1 Cuadro

El cuadro lleva un recubrimiento pulverizado o cincado en negro. Para evitar que se oxide, no deje el coche durante mucho tiempo fuera cuando llueva y limpie el bastidor cada cierto tiempo. Si desea limpiar el cuadro con grasa, utilice únicamente productos sin ácido. Las partes dañadas se pueden tratar con pintura. Comprobar si los tornillos y tuercas tienen óxido y reemplazarlos para evitar que se rompan, pues podrían producirse accidentes.

3.2.2 Ruedas / Cubiertas

Comprobar con regularidad que las llantas y las cubiertas no presentan daños (por ejemplo cortes, grietas o bultos). Atención: las llantas y cubiertas dañadas pueden provocar accidentes. Las cubiertas no deben entrar en contacto con aceite, grasa o combustible.

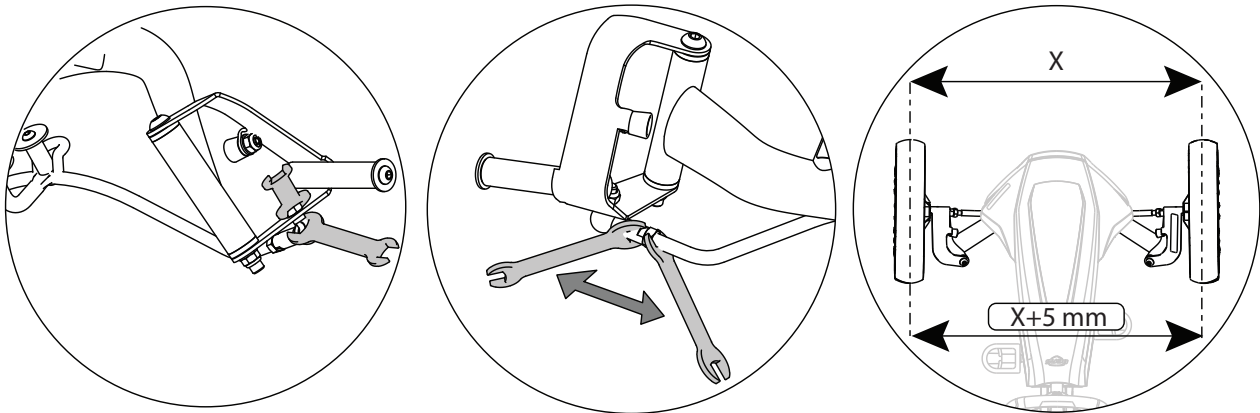
La presión correcta de las ruedas aparece en la parte exterior de las cubiertas. Si las ruedas tienen la presión correcta, el coche será ligero y fácil de manejar. Si la presión es demasiado baja, existirá mayor riesgo de pinchazo y las ruedas sufrirán mayor desgaste. Si la presión es demasiado alta, la cubierta, por ejemplo, podría desprenderse de la llanta, provocando situaciones peligrosas. Atención: recuerde que la presión de las ruedas aumenta con la exposición al sol y a temperaturas elevadas. Las cubiertas no deben entrar en contacto con aceite, grasa o combustible. Asegúrese de que los tapones de las válvulas están siempre bien apretados.

Una presión incorrecta de los neumáticos afectará negativamente a la funcionalidad y seguridad del freno de mano y del freno de estacionamiento. La barra de freno está diseñada para funcionar óptimamente con la presión correcta de los neumáticos.

3.2.3 Dirección

El mecanismo de dirección se debe revisar todos los meses para comprobar que no hay:

- Daños, óxido, desgaste.
- El tornillo en la parte trasera del volante tiene que estar ajustado.
- Deben apretarse todos los tornillos y tuercas.
- Comprobar si los mangos todavía están fijos en su posición.
- Compruebe si las ruedas delanteras están bien alineadas. Si es necesario, ajustar según el esquema adjunto



3.2.4 Cadena

El coche tiene un mecanismo de tracción con dos cadenas.

Asegúrese de que las cadenas están lo bastante engrasadas para deslizarse con facilidad.

Si una cadena está demasiado tensa, resultará más difícil pedalear y aumentará la probabilidad de que se produzca un desgaste rápido de, entre otras cosas, la cadena y los piñones. Si una cadena no está lo bastante tensa, podrá salirse fácilmente de los piñones y aumentará el riesgo de que se produzcan daños en la carcasa de la cadena.

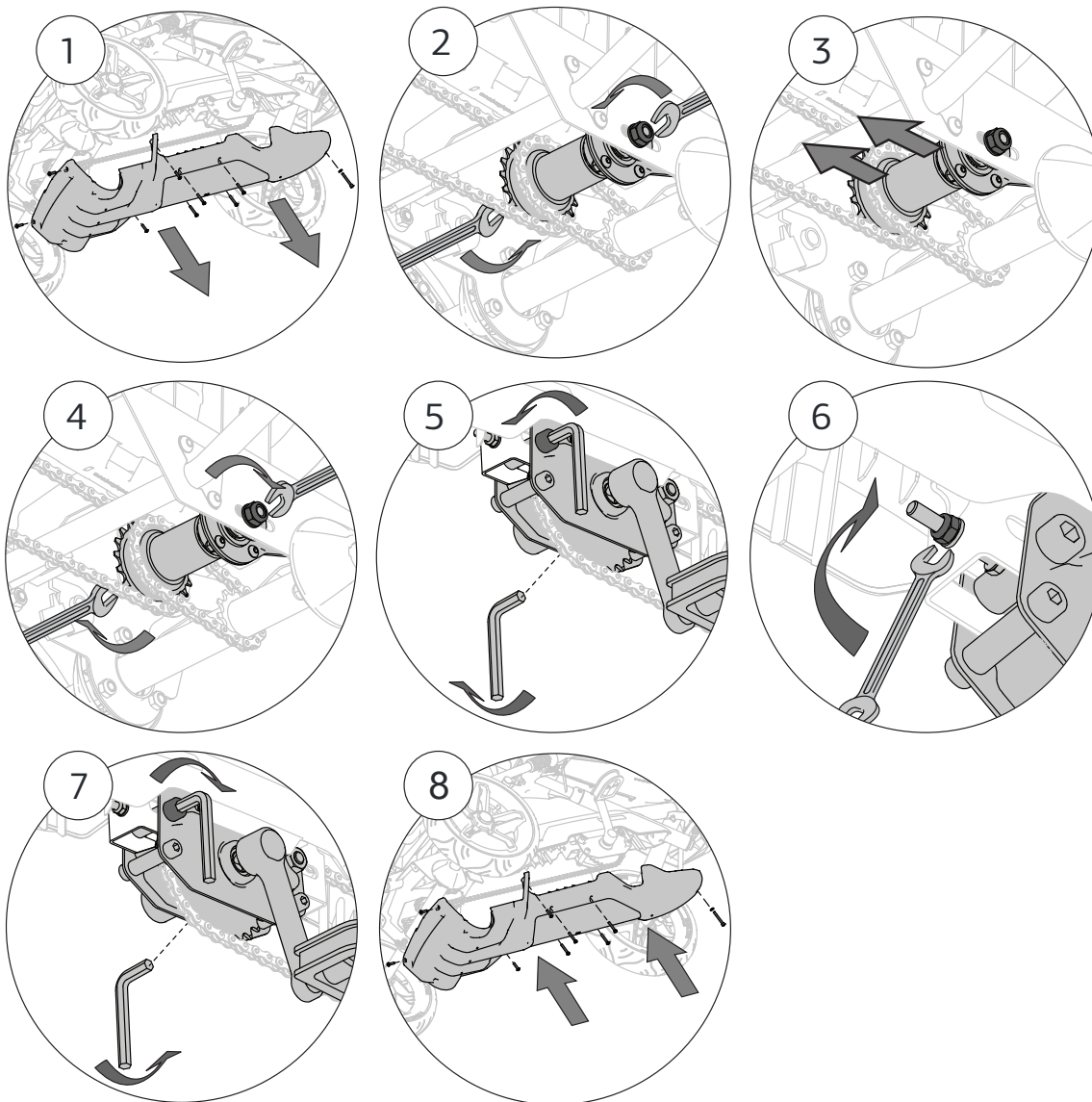
En caso de que hubiera que tensar ambas cadenas, empiece siempre por la cadena trasera (la más corta).

Para tensar la cadena trasera:

- Retire la carcasa protectora.
- Afloje las tuercas del buje.
- Tense la cadena moviendo el buje hacia delante.
- Asegúrese de que el buje queda exactamente en paralelo con el eje trasero.
- Vuelva a apretar las tuercas del buje.
- La cadena tiene la tensión adecuada si se puede empujar hacia abajo 6 milímetros por el centro.

Tensar la cadena frontal:

- Afloje los tornillos del eje de los pedales en la base del cuadro.
- Tensar la cadena girando la tuerca tensora en el sentido de las agujas del reloj
- Vuelva a apretar los tornillos. Debe ser posible empujar el centro de la cadena hacia abajo 1 centímetro. Compruebe esto antes de volver a instalar la cubierta protectora en su lugar
- Vuelva a instalar la campana protectora en su lugar.



3.2.5 Piezas de plástico

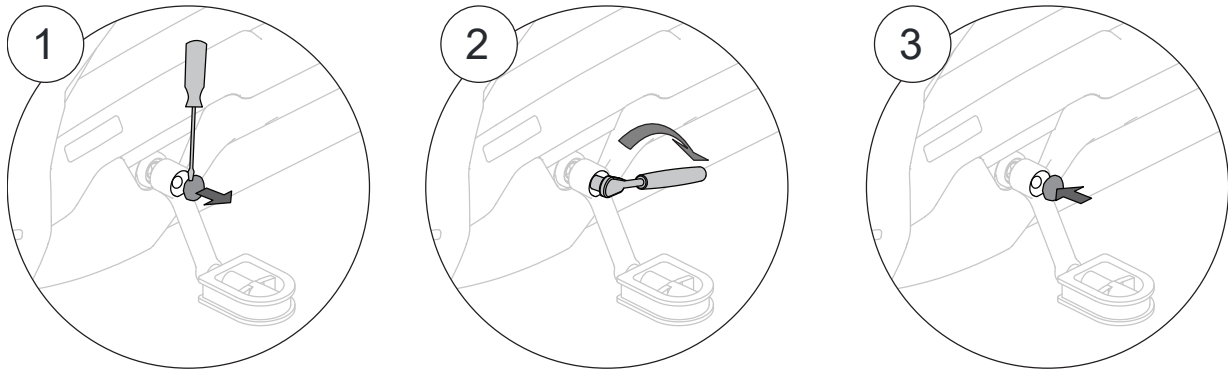
Se debe comprobar con regularidad que las piezas de plástico no tienen daños ni están rotas.

En caso de rotura, deberá reemplazar inmediatamente la pieza afectada por una pieza original para garantizar la seguridad del usuario.

3.2.6 Ajuste de las bielas

Tras usar el nuevo producto durante varios días (uso intensivo) o dos semanas (uso normal) después de la compra, se deben apretar de nuevo los tornillos con los que están montadas las bielas izquierda y derecha (ver ilustración más abajo). Tenga en cuenta que los tornillos se deben apretar "a mano", es decir, con una fuerza máxima de 30 Nm (es normal que tras un breve periodo de uso se asiente el conjunto de las bielas y su eje, como resultado de la fuerza aplicada sobre los pedales).

Una consecuencia de no hacer esto regularmente es la aparición de cierta holgura, lo cual puede resultar en daños en las bielas y en el eje de las mismas. Dicha holgura se puede eliminar apretando más los tornillos.



4. Garantía

4.1 Periodo de garantía

El propietario de este producto BERG dispone de las siguientes garantías sobre este producto:

- Durante 2 año(s) tras la fecha que figura en la factura sobre el cuadro.
- Durante 2 año(s) tras la fecha que figura en la factura sobre las demás partes.
- Sobre las partes expuestas al desgaste (como la cadena y los neumáticos) no se ofrece ninguna garantía.
- Compruebe www.bergtoys.com para las regulaciones de warranty extensas.

4.2 Reglamento de garantía

El propietario de este producto sólo puede reclamar la garantía presentando la factura original. La garantía se refiere únicamente a defectos de material y construcción en relación con este producto y las partes. La garantía queda sin efecto si:

- Este producto ha sido utilizado de forma incorrecta y/o negligente.
- El uso no es conforme al fin.
- El montaje y el mantenimiento de este producto no se han realizado conforme al folleto de instrucciones.
- Las reparaciones técnicas de este producto no se han realizado profesionalmente.
- Posteriormente, se han montado partes que no se corresponden con las especificaciones técnicas del producto en cuestión, o no han sido montadas correctamente.
- Las piezas añadidas o sustituidas posteriormente no comprenden piezas o accesorios oficiales de BERG.
- Los defectos son el efecto de influencias climáticas, como la oxidación o las alteraciones normales por exposición de la laca a la intemperie.
- El producto se utiliza para el alquiler o se encuentra a disposición de otra manera de múltiples personas sin especificar.

BERG no puede ser responsabilizado en ningún caso por daños en (partes d)el producto como consecuencia de:

- Un ajuste/tensión incorrectos del volante, el mecanismo de dirección, la cadena, los neumáticos y el buje con cambio integrado.
- El no cambiar a tiempo las partes expuestas al desgaste, como la cadena y los neumáticos.

Durante el periodo de garantía, todos los defectos de material o construcción constatados por BERG, serán reparados o serán sustituidos, ello a elección de BERG.

El propietario del producto sólo puede reclamar bajo esta garantía mediante la devolución, a la empresa donde compró el producto. Además de la reclamación, facilitar el número de serie del producto y el recibo de compra original. Puede encontrar el número de serie en el bastidor del producto.

Si la solicitud de garantía es rechazada, todos los gastos incurridos serán por cuenta del propietario del producto.

Esta garantía no es transferible a terceros.

Introduzione

Congratulazioni per avere scelto un prodotto BERG.

BERG progetta e produce prodotti robusti e sicuri. La vostra scelta per un prodotto BERG significa che avete scelto un prodotto che vi darà anni di divertimento. A causa del continuo sviluppo dei nostri prodotti ci riserviamo il diritto di modificare le specifiche del prodotto senza alcun preavviso.

Legga attentamente le presenti istruzioni per la sicurezza e la manutenzione.

Il prodotto BERG ha una lunga durata, ma ha bisogno di manutenzione di tanto in tanto. Troverete le istruzioni per la manutenzione nel manuale per l'utente. Rispettare queste indicazioni permetterà di preservare il giocattolo negli anni.

Visitate il nostro sito www.bergtoys.com per saperne di più su BERG e guardate i nostri prodotti ed accessori. Siete invitati ad inviare una mail a BERG, con le vostre proposte di miglioramento e altre esperienze. È possibile inviare il tutto a info@bergtoys.com

Indice

1. Avvertenze
2. Manuale d'istruzioni
 - 2.1 Sicurezza
 - 2.2 Istruzioni per l'uso
 - 2.2.1 Prima dell'uso
 - 2.2.2 Durante l'uso
 - 2.2.3 Rimorchio
 - 2.2.4 Freni
 - 2.3 Restrizioni per l'uso
 - 2.4 Accessori
3. Manutenzione
 - 3.1 Schema di manutenzione
 - 3.2 Attività di manutenzione
 - 3.2.1. Struttura
 - 3.2.2. Ruote / Pneumatici
 - 3.2.3. Sterzo
 - 3.2.4. Catena
 - 3.2.5. Parti in plastica
 - 3.2.6. Regolazione della manovella
4. Garanzia
 - 4.1 Periodo di garanzia
 - 4.2 Regolamento



1. Avvertenze

- I bambini (die età inferiore a 12 anni) sono autorizzati a utilizzare il prodotto soltanto sotto la supervisione di un adulto.
- Questo prodotto non può essere utilizzato su strade pubbliche.
- Non girare velocemente durante la guida ad alta velocità. Il go-kart può ribaltarsi!
- Depositare il prodotto in ambiente asciutto ed esente da umidità.
- Attenzione a pezzi di abbigliamento penzoloni come sciarpe e lacci delle scarpe. Questi possono impigliarsi nelle parti in movimento, che possono portare a incidenti.
- Non guidare mai se si è sotto l'effetto di alcool, droghe o medicine che possono influenzare negativamente il tempo di reazione o lo spirito di osservazione.

2. Manuale d'istruzioni

BERG o il rivenditore non possono essere ritenuti responsabili per l'uso improprio di questo prodotto. Leggere queste linee guida prima di utilizzarle correttamente ed usare in modo sicuro questo prodotto. BERG non può essere ritenuta responsabile di eventuali omissioni in questo manuale.

2.1 Sicurezza

I bambini (sotto i 12 anni) possono utilizzare il prodotto solo sotto la guida di un adulto. Fare sempre attenzione alle più alte misure di sicurezza possibili. Se avete domande o non siete sicuri di qualcosa, visitate il vostro rivenditore locale o contattate BERG.

2.2 Istruzioni per l'uso

Utilizzare il prodotto BERG solo come descritto di seguito. Qualsiasi utilizzo non autorizzato potrebbe causare lesioni serie per l'utente o danni al prodotto.

2.2.1 Prima dell'uso

- Regolare il sedile e il volante nella posizione corretta, a seconda delle dimensioni degli utenti.
- Assicurarvi che lo sterzo, freni e pneumatici funzionino correttamente e i bulloni e i dadi siano fissati.
- Le coperture di protezione, che sono state rimosse per la manutenzione, devono sempre essere messe di nuovo nello stato originale, prima dell'uso.
- Accertarsi che le parti elettriche siano intatte e funzionino correttamente.
- Controllare la pressione dei pneumatici e assicurarsi che soddisfi la norma, come indicato sul pneumatico stesso. Vedi manuale di manutenzione.
- L'adulto è tenuto ad istruire il bambino per il migliore utilizzo del prodotto.
- Istruisci il bambino su come utilizzare il freno.

2.2.2 Durante l'uso

- Guidare ad una velocità adeguata in cui si abbia il controllo.
- Prestare sempre attenzione all'ambiente circostante durante l'uso.
- Frenare sempre come prescritto utilizzando il freno a mano/ il contropedale.
- Prestare attenzione alle parti di indumenti pendenti, come cordoni, sciarpe, lacci slegati e affini. Essi possono rimanere incastrati nelle parti in movimento, provocando incidenti.
- L'uso di indumenti di protezione non è obbligatorio, ma è consigliato.
- Accertarsi che il prodotto non possa rotolare via quando è parcheggiato. Utilizzare il freno di stazionamento per questo.
- Non installare oggetti sullo sterzo. Accertarsi che lo sterzo funzioni sempre correttamente.

2.2.3 Rimorchio

Se un rimorchio è collegato al go-kart, si deve ricordare che la distanza di frenata sarà più lunga. I rimorchi da BERG non possono essere agganciati sul go-kart, quando il go-kart si trova su pendii ripidi. Non è ammesso il trasporto di persone sul rimorchio. Per il peso massimo del carico per il rimorchio fare riferimento alla Guida per l'utente.

2.2.4 Freni

Il go-kart è dotato di un perno speciale. Con questo perno è possibile durante la marcia avanti pedalare all'indietro in modo che la funzione di frenatura della ruota posteriore sia in azione. La funzione di frenatura si attiva. Oltre a ciò è anche possibile guidare all'indietro.

2.3 Prescrizioni per l'uso

- Proteggere il prodotto dall'umidità, non utilizzare all'aperto in caso di pioggia.
- Questo prodotto non può essere utilizzato su strade pubbliche.
- Non guidare all'indietro a grande velocità. Facendo questo si potrebbe perdere il controllo.
- Le collisioni o altre acrobazie non sono ammesse e possono aumentare il rischio di lesioni per l'utente e di danni per il prodotto.
- Evitare il contatto con parti in movimento durante la guida del prodotto.
- Non salire o scendere dal prodotto mentre è in movimento
- Non sovraccaricare il prodotto. Il peso massimo dell'utente deve essere da 60 kg.
- Non guidare mai al buio senza luci
- Non compiere curve strette ad alta velocità; il prodotto potrebbe ribaltarsi!
- Non è ammesso utilizzare questo prodotto in zone collinari e in pendenza. Non viaggiare in salita o in discesa o obliquamente in pendenza.

2.4 Accessori

- Solo accessori originali BERG possono essere utilizzati. BERG ha una gamma di accessori con cui è possibile adattare il go-kart interamente ai vostri desideri. Potete trovare tutti gli accessori su www.bergtoys.com.
- Per l'uso e il montaggio dell'accessorio vedi il manual ellegato.
- il montaggio degli accessori deve essere eseguito da persone adulte. Per l'uso degli accessori occorre la supervisione di una persona adulta.



3. Manutenzione

Alcune manutenzioni sono necessarie per utilizzare il prodotto BERG e divertirsi con esso per molto tempo. Questo capitolo descrive come, con quale frequenza e come la manutenzione deve essere effettuata.

3.1 Schema di manutenzione

Giornaliero	Mensile	Semestrale	Annuale
Ruote / Pneumatici <ul style="list-style-type: none"> Controllare l'usura. Controllare la pressione dei pneumatici e, se necessario, aumentare la pressione. 	Struttura <ul style="list-style-type: none"> Pulire e controllare tutti i dadi e bulloni. Controllare la struttura per eventuali crepe e rotture. Corpo in plastica <ul style="list-style-type: none"> Pulisci, controlla e blocca le viti e i dadi Controlla che il corpo in plastica non sia incrinato o rotto Meccanismo di azionamento <ul style="list-style-type: none"> Controllare la catena per la tensione corretta. Ingrassaggio catena. Controlla che non vi siano residui di sabbia e detriti ed eventualmente eliminarli. Controlla e blocca i bulloni Sterzo <ul style="list-style-type: none"> Controllare tutti i dadi e bulloni. Lubrificare le parti mobili. Pulire e lubrificare le catene. Controlla tutte le viti e i dadi 	Meccanismo di azionamento <ul style="list-style-type: none"> Verificare il corretto funzionamento dei cuscinetti, della catena, del perno, dei pignoni e degli assi. Parti in plastica <ul style="list-style-type: none"> Pulire le parti in plastica a verificare i danni. 	Parti in plastica <ul style="list-style-type: none"> Pulire le parti in plastica e verificare i danni

3.2 Attività di manutenzione

3.2.1 Struttura

La struttura è verniciata a polvere o zincata di nero. Per evitare la ruggine non lasciare a lungo il go-kart all'aperto sotto la pioggia e tenere sempre pulito il telaio. Se si desidera conservare la struttura con il grasso, utilizzare solo sostanze senza acido. Si possono trattare le aree danneggiate con vernice. Controllare i bulloni e i dadi e, in presenza di ruggine, sostituirli, per impedire una rottura che potrebbe causare lesioni.

3.2.2 Ruote / Pneumatici

Controllare regolarmente i cerchioni e gli pneumatici per eventuali danni (per esempio tagli, fessure e rigonfiamenti). Attenzione: cerchioni e pneumatici danneggiati possono causare incidenti! Gli pneumatici non devono entrare in contatto con olio, grasso o combustibile.

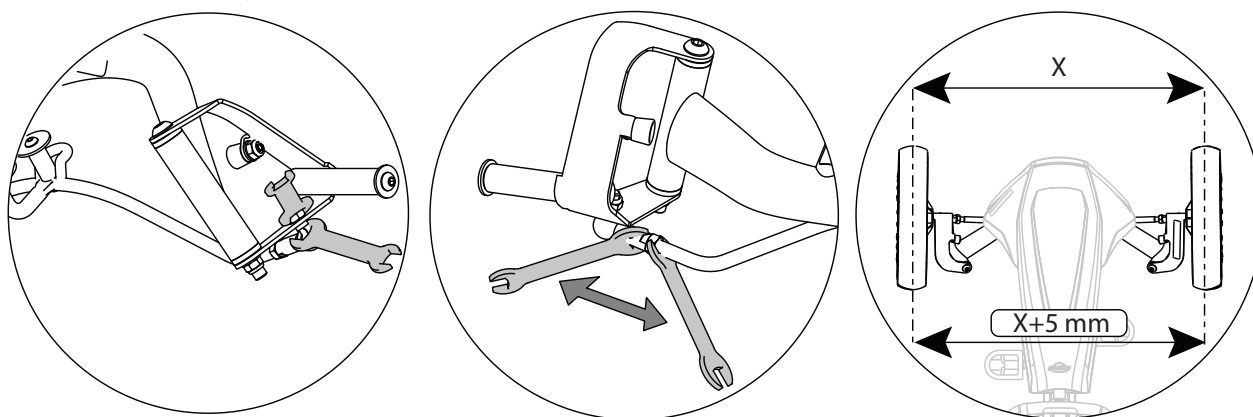
La corretta pressione degli pneumatici è indicata sulla parte esterna del pneumatico. Se gli pneumatici sono a giusta pressione il prodotto sarà leggero e maneggevole. Se la pressione delle gomme è troppo bassa, esse subiranno una eccessiva usura. Se la pressione è troppo elevata, lo pneumatico può per esempio venire sciolto dal cerchione, causando situazioni pericolose. Attenzione: ricordate che in pieno sole e a temperature elevate aumenta la pressione degli pneumatici! I pneumatici non devono entrare in contatto con olio, grasso o combustibile. Assicurarsi che i cappucci delle valvole siano sempre presenti sulle valvole.

Una pressione degli pneumatici non corretta inciderà negativamente sulla funzionalità e sulla sicurezza del freno a mano e del freno di stazionamento. La barra freno è progettata per funzionare in modo ottimale alla corretta pressione delle gomme.

3.2.3 Sterzo

Il dispositivo dello sterzo deve essere controllato ogni mese per i seguenti motivi a seguire:

- Danni, ruggine, usura.
- Tutti i dadi e i bulloni devono essere serrati.
- Controllate che le ruote anteriori siano correttamente allineate. Se necessario, regolarle secondo lo schema allegato.



3.2.4 Catena

Il go-kart ha un meccanismo di azionamento con due catene.

Assicurarsi che le catene siano sufficientemente oliate in modo che possano scorrere liberamente.

Se una catena è troppo stretta in tensione, il prodotto presenterà difficoltà nella pedalata e vi sarà una grande probabilità che l'usura della catena e del pignone, tra le altre cose, si verificherà più velocemente. Se una catena non sarà abbastanza stretta, la catena potrà facilmente uscire dalla corona dentata o vi sarà la possibilità di danneggiamento dell'alloggiamento della catena.

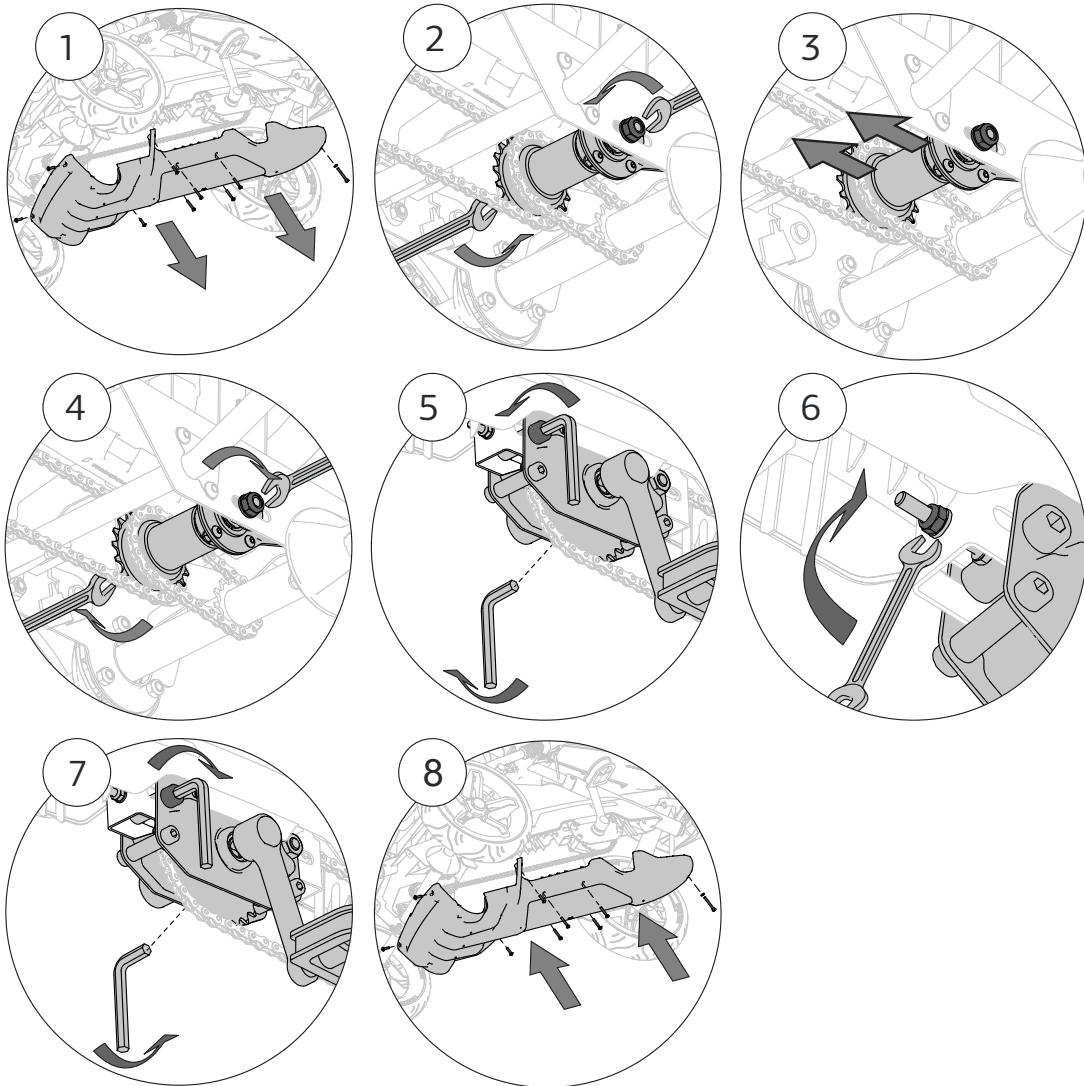
Nel caso in cui necessiti mettere in tensione entrambe le catene, iniziare sempre con la filiera corta/posteriore.

Per tendere la catena posteriore:

- Rimuovere il cappuccio protettivo.
- Allentare i dadi del perno.
- Tendere la catena spostando in avanti il perno del pedale e tenerlo stretto.
- Assicurarsi che il perno rimanga esattamente parallelo all'asse posteriore.
- Stringere di nuovo i dadi del perno.
- La catena ha la tensione corretta se nella parte centrale possa essere spinta verso il basso di 6 millimetri.

Tendere la catena anteriore:

- Allentare i bulloni della manovella nella parte inferiore della struttura.
- Mettere in tensione la catena ruotando il dado di tensionamento in senso orario.
- Serrare nuovamente i bulloni. Deve essere possibile spingere il centro della catena verso il basso di 1 centimetro. Controllare questo passaggio prima di installare il cappuccio di protezione al suo posto.
- Rimontare il cappuccio protettivo al suo posto.



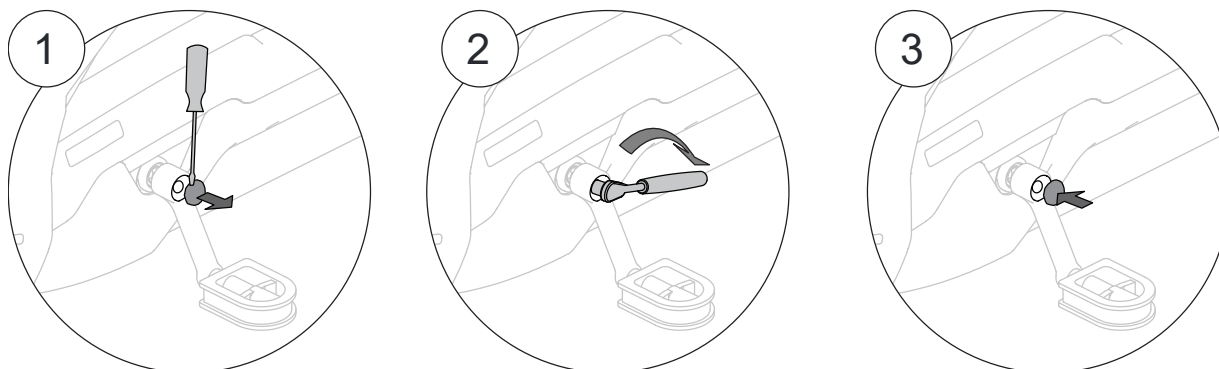
3.2.5 Parti in plastica

Le parti in plastica devono essere controllate regolarmente per rilevare eventuali rotture o altri danni. In caso di rottura è necessario sostituire immediatamente la parte interessata con una parte originale, al fine di garantire la sicurezza dell'utente.

3.2.6 Regolazione della manovella

Dopo aver utilizzato il nuovo prodotto per diversi giorni (uso intensivo) o per un massimo di due settimane (uso normale) dopo l'acquisto, i bulloni di montaggio delle manovelle sinistra e destra devono essere montati e serrati di nuovo (vedi figura in basso). Si noti che devono essere 'serrati a mano', vale a dire con un atto di serraggio di 30Nm al massimo (con effetto normale, dopo un breve periodo di utilizzo, come risultato della forza applicata ai pedali, la manovella si adatta).

Quando ciò non avviene regolarmente, si può produrre l'effetto di arrecare danno alla manovella centrale. Questo rischio può essere evitato serrando ulteriormente i bulloni.



4. Garanzia

4.1 Periodo di garanzia

Il proprietario di questo prodotto BERG usufruisce delle seguenti garanzie:

- Garanzia sul telaio di 2 anni dalla data riportata sullo scontrino di acquisto.
- Garanzia sugli altri componenti di 2 anni dalla data riportata sullo scontrino di acquisto.
- Non è prevista alcuna garanzia sui componenti soggetti a usura (come la catena e gli pneumatici).
- Controllare www.bergtoys.com per ampi regolamenti warranty.

4.2 Regolamento di garanzia

Il proprietario di questo prodotto può usufruire di garanzia soltanto dietro presentazione dello scontrino di acquisto originale. La garanzia copre soltanto i difetti dei materiali e di fabbricazione di questo prodotto e dei suoi componenti. La garanzia decade quando:

- il prodotto viene utilizzato in modo improprio e/o inaccurato;
- l'utilizzo non corrisponde alla destinazione prevista;
- il prodotto non è assemblato e sottoposto a manutenzione conformemente al libretto di istruzioni;
- le riparazioni tecniche di questo prodotto non sono eseguite da una persona esperta;
- vengono montati successivamente componenti non conformi alle specifiche tecniche del prodotto in questione, o in modo errato;
- i componenti aggiunti successivamente o sostituiti non sono componenti o accessori ufficiali di BERG;
- si verificano difetti conseguenti ad agenti climatici, come corrosione o normale usura della vernice;
- il prodotto viene utilizzato per il noleggio o viene messo a disposizione in altro modo di più persone non specificate.

BERG non può in alcun caso essere ritenuta responsabile per i danni a questo prodotto o parti di esso conseguenti a:

- regolazione/tensione/pressione errata dello sterzo, del meccanismo sterzante, della catena, degli pneumatici e del mozzo del cambio;
- sostituzione non tempestiva dei componenti soggetti a usura, come la catena e gli pneumatici.

Durante il periodo di garanzia, BERG provvederà alla riparazione o alla sostituzione dei componenti, a sua discrezione, per tutti i difetti dei materiali o di costruzione constatati da BERG.

Il proprietario del prodotto può richiedere la garanzia solo presso la struttura in cui è stato acquistato il prodotto. Oltre all'indicazione del danno documentato, prendere anche il numero di serie del prodotto e la fattura d'acquisto. Il numero di serie si trova sul telaio del prodotto.

Qualora la richiesta di garanzia sia respinta, tutti i costi sostenuti sono a carico del proprietario del prodotto.

Questa garanzia non può essere trasferita a terzi.



Introduktion

Tillykke med dit køb af en BERG gokart.

BERG bestræber sig på at designe og fremstille robuste og sikre produkter. Dit valg af et BERG-produkt betyder, at du har valgt et produkt, der vil give dig glæde i mange år. På grund af den løbende udvikling af vores produkter forbeholder vi os retten til at ændre produktspecifikationerne uden varsel.

Læs manualen omhyggeligt mht. de nødvendige sikkerheds- og vedligeholdelsesinstruktioner.

BERG-produktet har en lang levetid, men kræver lidt vedligeholdelse fra tid til anden. Du finder vedligeholdelsesinstruktionerne i denne brugervejledning. Når du følger dem, er du garanteret et slidstærkt legetøj, der holder i mange år.

Besøg vores hjemmeside på www.bergtoys.com og læs mere om BERG og se vores produkter og tilbehør. Du er meget velkommen til at sende en e-mail til BERG med dine forslag til forbedringer og andre oplevelser. Du kan skrive til info@bergtoys.com.

Indhold

1. Advarsler
2. Brugervejledning
 - 2.1 Sikkerhed
 - 2.2 Brugervejledning
 - 2.2.1 Før brug
 - 2.2.2 Under brug
 - 2.2.3 Trailer
 - 2.2.4 Bremseser
 - 2.3 Begrænsninger for brugen
 - 2.4 Tilbehør
3. Vedligeholdelse
 - 3.1 Vedligeholdelseskema
 - 3.2 Vedligeholdelsesaktiviteter
 - 3.2.1. Ramme
 - 3.2.2. Hjul / dæk
 - 3.2.2. Styretøj
 - 3.2.4. Kæde
 - 3.2.5. Plastdele
 - 3.2.6. Krank, justering
4. Garanti
 - 4.1 Garantiperiode
 - 4.2 Garantivilkår

1. Advarsler

- Børn (under 12) må kun bruge produktet under opsyn af en voksen.
- Dette produkt må ikke bruges på offentlige veje.
- Undgå at dreje skarpt, når du kører med høj hastighed. Go-karten kan vælte!
- Opbevar produktet et tørt sted uden fugt.
- Vær opmærksom på løsthængende dele af tøj som tørklæder og snørebånd. Disse kan vikles ind i bevægelige dele, hvilket kan føre til ulykker.
- Kør aldrig hvis du er påvirket af alkohol, narkotika eller medicin, der kan påvirke din reaktionstid eller synsevner negativt

2. Brugervejledning

Hverken BERG eller forhandleren kan holdes ansvarlig for forkert brug af dette produkt. Læs disse retningslinjer først, for at benytte dette produkt sikkert og korrekt. BERG kan ikke holdes ansvarlig for eventuelle udeladelser i denne vejledning.

2.1 Sikkerhed

Børn (under 12) må kun bruge produktet under vejledning af en voksen. Vær altid opmærksom på de højeste mulige sikkerhedsforanstaltninger. Hvis du har spørgsmål eller er i tvivl om noget, så besøg din lokale forhandler eller kontakt BERG.

2.2 Brugervejledning

Brug kun BERG-produktet, som anvist nedenfor. Enhver uautoriseret brug kan medføre alvorlige skader på brugeren og/eller produktet.

2.2.1 Før brug

- Juster sæde og rat til den korrekte position iht. brugerens størrelse.
- Sørg for, at styretøj, bremses og dæk fungerer korrekt og at bolte og møtrikker er spændte.
- Beskyttende paneler, som har været fjernet aht. vedligeholdelse, skal altid bringes tilbage i deres oprindelige tilstand før brug.
- Kontroller dæktrykket, og sørg for, at det opfylder den standard, som er vist på dækket. Se vedligeholdelse.
- Den voksne er ansvarlig for at instruere barnet i brugen af dette produkt.
- Oplys barnet om, hvordan man bruger bremsen.

2.2.2 Under brug

- Kør med en passende hastighed, så du har kontrol over karten.
- Vær altid opmærksom på omgivelserne.
- Brug altid fodbremsen, når du skal bremse produktet.
- Kør altid på en jævn overflade uden forhindringer.
- Det er ikke obligatorisk at have beskyttelsesudstyr på, men af hensyn til sikkerheden anbefales det.
- Sørg for, at produktet ikke kan rulle væk, når det er parkeret. Brug parkeringsbremsen til dette.
- Placer ikke unødvendige genstande på eller imod rattet. Sørg for, at rattet altid fungerer.

2.2.3 Trailer

Hvis go-karten er forsynet med en trailer, skal du huske på, at bremselængden bliver længere. BERG-trailere må ikke hænges på go-karten, mens den står på en stejl skråning. Der må ikke være personer i traileren. Mht. trailerens maksimale belastningsvægt henvises til trailerens brugervejledning.

2.2.4 Bremses

Go-kartet er udstyret med et specielt nav. Navet gør det muligt at køre fremad, mens pedalerne føres baglæns, og dermed udløser bremsen på baghjulet. Når du gør det, udløses bremsefunktionen. Derudover er det også muligt at køre baglæns.



2.3 Begrænsninger for brugen

- Beskyt produktet mod fugt, benyt det ikke udenfor, når det regner.
- Dette produkt må ikke bruges på offentlige veje.
- Kør ikke baglæns ved større hastigheder. Dermed kan du miste kontrollen.
- Kollisioner eller andre stunts øger chancen for skader både brugeren og produktet og er ikke tilladt.
- Undgå kontakt med bevægelige dele under kørsel med produktet.
- Stig ikke af og på produktet, mens det er i bevægelse
- Overbelast ikke produktet. Maksimal brugervægt er 60 kg.
- Kør aldrig i mørke uden lys
- Kør ikke på tværs af en skråning (i stedet for op og ned), og foretag ikke skarpe sving i høj hastighed. Der er en risiko for, at produktet kan vælte.
- Når du kører ned ad bakke, øges farten betydeligt, og der kan forekomme ulykker. Bremselængden bliver også længere! Det er ikke tilladt at bruge dette produkt på bakker eller skråninger (op eller ned).

2.4. Tilbehør

- Brug kun originalt BERG-tilbehør. BERG har et udvalg af tilbehør, som du kan bruge med go-karten helt som du vil. Du kan finde alt tilbehør på www.bergtoys.com.
- Læs den medfølgende vejledning for at få oplysninger om korrekt brug og montering af tilbehør.
- Al tilbehør skal monteres af en voksen og må kun bruges under opsyn af voksen.

3. Vedligeholdelse

En vis vedligeholdelse er påkrævet for at bruge BERG-produktet, og have glæde af det i lang tid. Dette kapitel beskriver, hvordan, hvor ofte og hvilken vedligeholdelse, der skal udføres.

3.1 Vedligeholdelsesskema

Dagligt	Månedlig	Halvårligt	Årligt
Hjul / Dæk <ul style="list-style-type: none"> Tjek for slitage. Kontrollér dæktrykket og øg eventuelt trykket. 	Ramme <ul style="list-style-type: none"> Rens og tjek alle møtrikker og bolte. Tjek rammen for eventuelle revner og brud. Plastafskærmning <ul style="list-style-type: none"> Rengør, efterse og stram alle skruer og bolte. Efterse plastafskærmningen for eventuelle revner og brud. Drivmekanisme <ul style="list-style-type: none"> Tjek om kæden har den korrekte spænding. Kæde, smøring. Se efter, om der er sand eller snavs, og rengør om nødvendigt. Efterse og stram boltene. Styretøj <ul style="list-style-type: none"> Rens og tjek alle møtrikker og bolte. Smør de bevægelige dele. Efterse alle skruer og bolte. 	Drivmekanisme <ul style="list-style-type: none"> Tjek korrekt funktion af lejer, kæde, nav, tandhjul og aksler. Plastdele <ul style="list-style-type: none"> Rengør plastdele og tjek for skader. 	Plastdele <ul style="list-style-type: none"> Rengør plastdele og tjek for skader.

3.2 Vedligeholdelsesaktiviteter

3.2.1 Ramme

Rammen er pulverlakeret eller belagt med sort zink. Med henblik på at forhindre rustdannelse bør gokarten ikke efterlades for længe udendørs i regnvejr, og stellet bør rengøres regelmæssigt. Hvis du vil vedligeholde rammen med fedt eller olie, brug da kun syrefri produkter. Du kan behandle beskadigede områder med maling.

Tjek bolte og møtrikker for rust og udskift dem for at forhindre dem i at knække, hvilket kan medføre skader.

3.2.2 Hjul / Dæk

Tjek regelmæssigt fælge og dæk for eventuelle skader (for eksempel snit, revner og buler). Advarsel: Beskadigede fælge og dæk kan medføre ulykker! Dækkene må ikke komme i kontakt med olie, fedt eller brændstof.

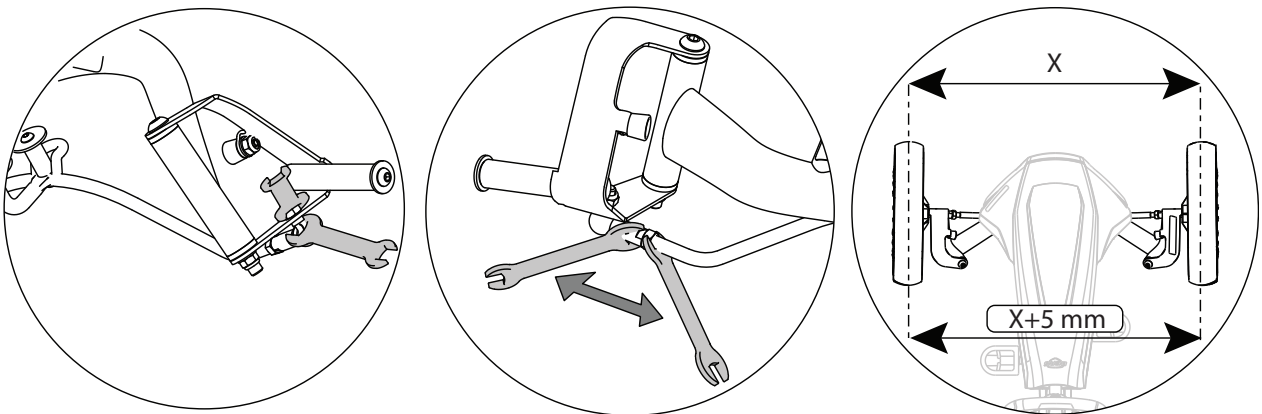
Den korrekte dæktryk er vist på ydersiden af dækkene. Når dækkene har det korrekte tryk, vil produktet være let og nemt at håndtere. Hvis trykket er for lavt, vil dækkene hurtigere blive utætte og slidte. Hvis dæktrykket er for højt, kan dækkene løsne sig fra fælgen, hvilket kan medføre farlige situationer. OBS: Husk at stærkt sollys og høje temperaturer øger dæktrykket! Dækkene må ikke komme i kontakt med olie, fedt eller brændstof. Sørg for, at ventilhætterne altid er monteret på ventilerne.

Forkert dæktryk vil påvirke funktionaliteten og sikkerheden af håndbremsen og parkeringsbremsen negativt. Bremsstangen er designet til at fungere optimalt ved det korrekte dæktryk.

3.2.3 Styretøj

Styretøjet skal hver måned tjekkes for følgende:

- Skader, rust, slid og ælde.
- Skruen på bigsiden af styret skal være strammet til.
- Alle møtrikker og bolte skal spændes efter.
- Kontrollér, at håndgrebene stadig sidder på plads.
- Kontroller, om forhjulene er korrekt justeret. Juster eventuelt efter vedlagte skema



3.2.4 Kæde

Go-karten har en drivmekanisme med to kæder.

Sørg for, at kæderne er tilstrækkeligt smurt, så de kan løbe frit.

Hvis en kæde er spændt for stramt, kan produktet blive vanskeligere at cykle/pedalere og der er en øget risiko for, at kæde(r) og tandhjul slides hurtigere. Hvis en kæde ikke er spændt nok, kan kæden lettere falde af tandhjulet, eller der er en risiko for beskadigelse af kædeskærmen. Når begge kæder skal spændes efter, så begynd altid med den bageste/korte kæde.

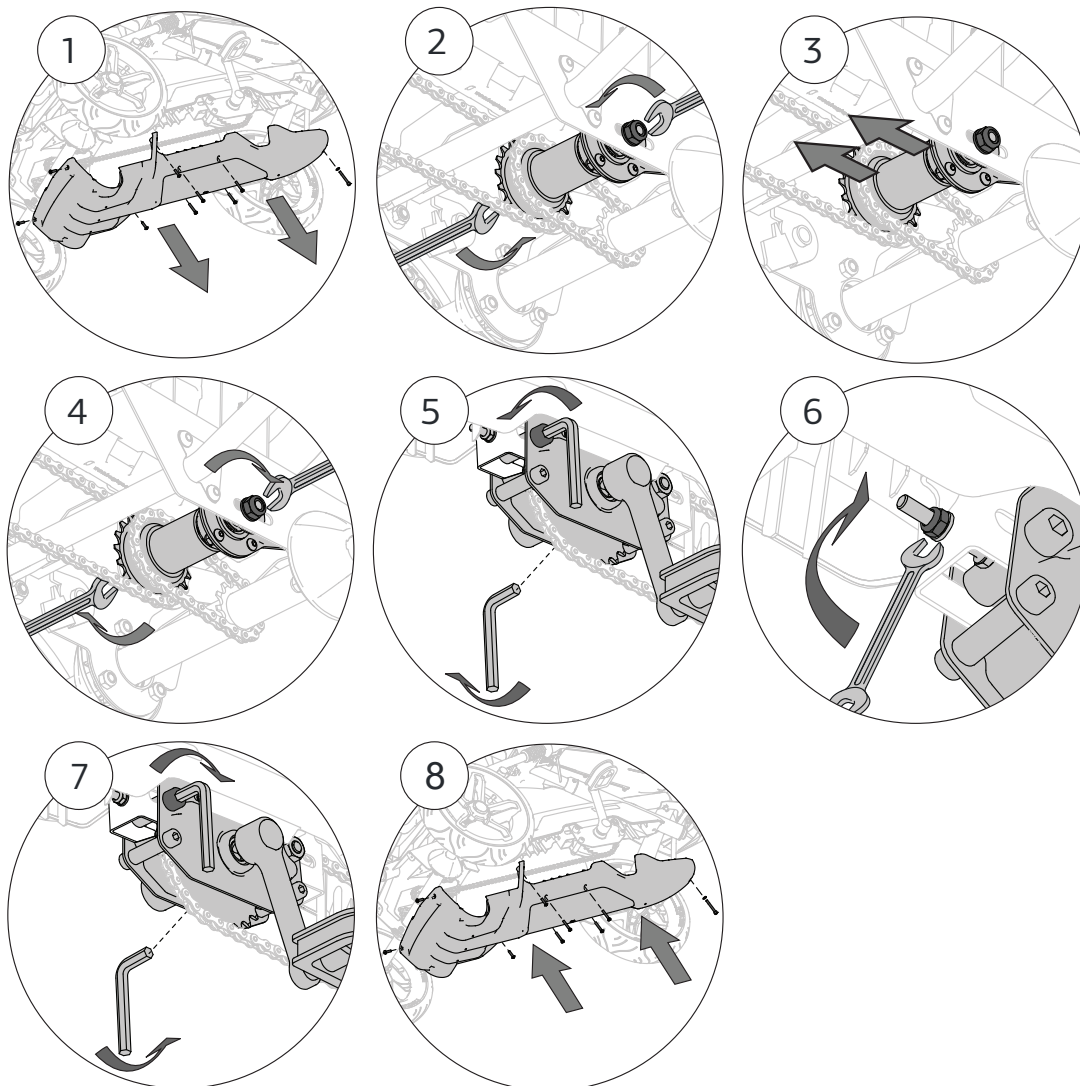
Sådan spændes den bageste kæde:

- Fjern den beskyttende hætte.
- Løsn navets møtrik.
- Spænd kæden ved at flytte navet fremad.
- Sørg for, at navet forbliver præcist parallelt med bagakslen.
- Spænd navets møtrikker igen.
- Kæden er korrekt spændt hvis midten af den kan trykkes 6 millimeter nedad.

Efterspænding af den forreste kæde:

- Løsn krankakslens bolte i bunden af rammen.
- Spænd kæden ved at dreje spændemøtrikken med uret.

- Spænd boltene igen. Det skal være muligt at skubbe midten af kæden nedad med 1 centimeter. Kontroller dette, før du sætter beskyttelseskappen tilbage på plads.
- Sæt beskyttelseshætten tilbage på plads.



3.2.5 Plastdele

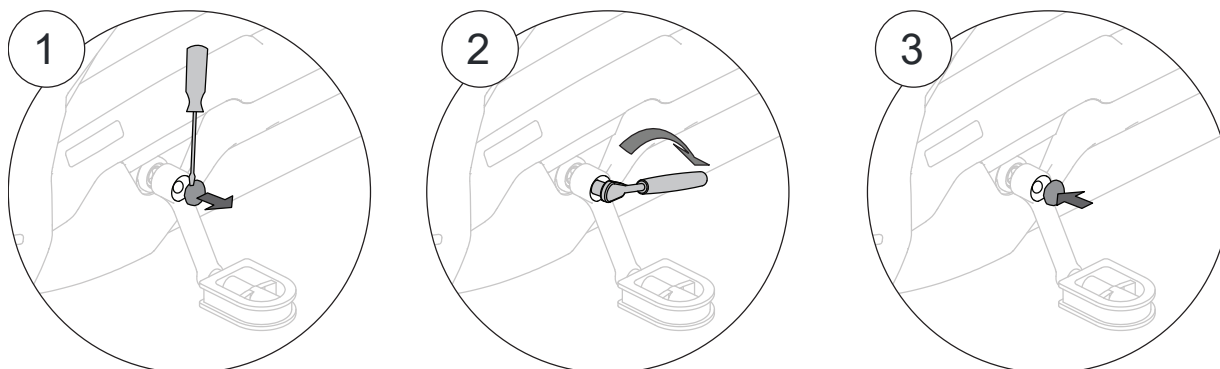
Plastdelene skal regelmæssigt tjekkes for skader og brud.

I tilfælde af brud skal du straks udskifte den pågældende del med en original del, for at garantere brugerens sikkerhed.

3.2.6 Krank, justering

Når du har brugt dit nye produkt nogle dage (intensiv brug) eller efter op til to uger (normal brug) efter købet, skal monteringsboltene, som den venstre og højre pedalarm er gjort fast med, spændes efter. (se illustrationen nedenfor). Bemærk at de skal "håndspændes". Det vil sige spændes med et moment på maks. 30Nm. (Det er en helt normal effekt, der optræder efter kortere brug, som følge af den kraft pedalerne og kranken omsætter.

Hvis dette ikke gøres regelmæssigt, vil der opstå en vis frigang eller løshed, som kan medføre skader på pedalarmen og krankakslen. Dette kan let undgås ved at spænde boltene efter.



4. Garanti

4.1 Garantiperiode

Ejeren af dette BERG-produkt har følgende garanti på dette produkt:

- Rammen har en garanti på 2 år fra købsdatoen.
- Andre dele har en garanti på 2 år fra købsdatoen.
- Dele, der påvirkes af slid og ælde (som kæder og dæk), er ikke omfattet af garantien.
- Tjek www.bergtoys.com for vores omfattende garantivilkår

4.2 Garantivilkår

Ejeren af produktet kan kun kræve garantidækning ved at fremlægge den originale kvittering for købet. Garantien gælder kun for materiale- og konstruktionsfejl, som er relateret til dette produkt eller dele deraf. Garantien bortfalder hvis:

- Produktet anvendes forkert og/eller skødesløst.
- Produktet ikke anvendes i overensstemmelse med dets formål.
- Produktet er ikke samlet og vedligeholdt i overensstemmelse med brugsanvisningen.
- Tekniske reparationer på produktet er ikke udført på en professionel måde.
- Eftermonterede dele opfylder ikke det relevante produkts tekniske specifikationer eller er ikke monteret korrekt.
- Tilføjede eller udskiftede dele er ikke originale BERG-reservedele eller -tilbehør.
- Fejl og mangler, som opstår som følge af klimapåvirkninger, som rust eller normal forvitring af lakeringen.
- Produktet har været brugt til udlejning eller på anden måde stillet til rådighed for flere uspecificerede personer.

BERG kan under ingen omstændigheder holdes ansvarlig for skader på produkter (eller dele heraf) som følge af:

- Forkert justering/stramning af styretøj, styretøjets mekanisme, kæde(r) og dæk.
- Udskiftning af dele som kæde(r) og dæk, der ikke er gennemført i tide.

Under garantiperioden vil alle materialer og konstruktionsrelaterede fejl blive repareret eller erstattet af BERG.

Ejeren af produktet kan kun gøre krav på denne garanti ved at henvende sig til den virksomhed, der solgte produktet. Medbring klage, produktets serienummer og original kvittering. Du kan finde serienummeret på produktets ramme.

Hvis garantikravet ikke anerkendes, skal alle udgifter betales af ejeren.

Garantien kan ikke overdrages til tredjemand

Introduktion

Gratulerar till att du har köpt en gokart från BERG!

BERG eftersträvar att utforma och tillverka robusta och säkra produkter. Att du har valt en produkt från BERG innebär att du nu har en produkt som kommer att ge dig år av nöje. Eftersom vi fortlöpande utvecklar våra produkter reserverar vi oss rätten att ändra produktspecifikationer utan att ge någon notis.

Läs manualen noggrant för att få de nödvändiga säkerhets- och underhållsinstruktionerna.

BERG-produkten har en lång livslängd, men kommer att behöva en del underhåll då och då. Du kommer att hitta instruktionerna för underhåll i denna användarmanual. Om man håller dem i åtanke är man garanterad en slitstark leksak som håller i många år.

Besök vår webbplats på www.bergtoys.com för att få veta mer om BERG och se våra produkter och tillbehör. Du är varmt välkommen att skicka ett e-mail till BERG med eventuella förslag för förbättring eller andra meddelanden. Du kan skicka dessa till: info@bergtoys.com.

Innehåll

1. Varningar

2. Användarriktlinjer

2.1 Säkerhet

2.2 Användarinstruktioner

2.2.1 Innan användning

2.2.2 Under användning

2.2.3 Släp

2.2.4 Bromsar

2.3 Användningsbegränsningar

2.4 Tillbehör

3. Underhåll

3.1 Underhållsschema

3.2 Underhållsaktiviteter

3.2.1. Chassi

3.2.2. Hjul/däck

3.2.3. Styrning

3.2.4. Kedja

3.2.5. Plastdelar

3.2.6. Justering av vevaxel

4. Garanti

4.1 Garantiperiod

4.2 Garantiregler



1. Varningar

- Barn (under 12 år) får endast använda produkten under tillsyn av vuxen.
- Denna produkt får inte användas på allmänna vägar.
- Sväng inte skarpt när du kör med hög hastighet. Då kan gokarten välta!
- Förvara produkten i en torr och fuktfri miljö.
- Ge akt på löst hängande delar från kläder, som halsdukar och skosnören. De kan trassla in sig i delar som rör sig, vilket kan leda till olyckor.
- Kör aldrig om du är påverkade av alkohol, droger eller läkemedel som negativt kan påverka din reaktionstid eller observationsförmåga.

2. Användarriktlinjer

BERG eller återförsäljaren kan inte hållas ansvarig för felaktig användning av denna produkt. Läs dessa riktlinjer innan användning för att korrekt och säkert använda denna produkt. BERG kan inte hållas ansvariga om något har utelämnats i denna manual.

2.1 Säkerhet

Barn (under 12 år) får endast använda produkten med vägledning från en vuxen. Var alltid aktsam på högsta möjliga säkerhetsåtgärder. Om du har några frågor eller är osäker på något, besök din lokala återförsäljare eller kontakta BERG.

2.2 Användarinstruktioner

Använd endast din BERG-produkt enligt instruktionerna nedan. Obehörigt användande kan resultera i allvarliga skador för användaren och produkten.

2.2.1 Innan användning

- Justera sätet och ratten till korrekt position, utifrån användarens storlek.
- Se till att styrningen, bromsarna och däcken fungerar korrekt och att skruvarna och muttrarna är fasta.
- Skyddande höljen som har tagits bort i underhållssyfte ska alltid sättas tillbaka på sin ursprungliga plats innan användning.
- Kontrollera däcktrycket och se till att det följer specifikationerna på däck. Se underhållsanvisningarna.
- Den vuxne är ansvarig för att instruera barnet i hur man använder denna produkt.
- Instruera barnet hur man använder bromsen.

2.2.2 Under användning

- Färdas i en lämplig hastighet där du har kontroll.
- Var alltid uppmärksam på omgivningen.
- Bromsa alltid produkten med hjälp av fotbromsen.
- Kör alltid på plan mark utan hinder.
- Skydd är inte obligatoriska men vi rekommenderar att de bärs för säkerhets skull.
- Se till att produkten inte kan rulla iväg när den är parkerad. Använd parkeringsbromsen för detta.
- Placera inga onödiga föremål på eller mot styrningen. Se till att styrningen alltid fungerar korrekt.

2.2.3 Släp

Om ett släp kopplas till gokarten måste du komma ihåg att bromssträckan blir längre. Släpen från BERG får inte krokas fast på gokarten om den står i en djup sluttning. Människor tillåts inte vara i släpet. För information om släpets högsta lastvikt var god se släpets användarhandbok.

2.2.4 Bromsar

Gokarten är utrustad med ett särskilt nav. Med detta nav är det möjligt att trampa bakåt när man färdas framåt, och på så sätt aktivera bromsfunktionen i bakhjulet. När man gör så används bromsfunktionen. Förutom det är det också möjligt att åka baklänges.

2.3 Användningsbegränsningar

- Skydda produkten från fukt, använd inte utomhus när det regnar.
- Denna produkt får inte användas på allmänna vägar.
- Färdas inte baklänges i höga hastigheter. Om du gör det kan du förlora kontrollen.
- Kollisioner eller andra trick ökar risken för skador på både användaren och produkten och är inte tillåtna.
- Undvik kontakt med rörliga delar medan du färdas på produkten.
- Ta dig inte av eller på produkten medan den rör sig.
- Överbelasta inte produkten. Den maximala vikten för användare är 60 kg.
- Färdas aldrig i mörkret utan lysen.
- Kör alltid rakt nedför sluttningar och undvik att göra tvära svängar i hög hastighet, eftersom det annars finns risk att produkten välter.
- Körning i nedförsbacke ökar hastigheten avsevärt, vilket kan leda till olyckor. Bromssträckan blir också längre! Produkten får inte användas i sluttningar eller backar (upp- och nedförsbackar).

2.4 Tillbehör

- Endast originaltillbehör från BERG får användas. BERG har en mängd tillbehör som låter dig anpassa gokarten helt efter dina egna önsknings. Du kan hitta alla tillbehör på www.bergtoys.com.
- Se den bifogade bruksanvisningen för korrekt användning och montering av tillbehör.
- Alla tillbehör ska moteras av en vuxen och användas under uppsikt av en vuxen.



3. Underhåll

En del underhåll är nödvändigt för att använda BERG-produkten och ha roligt med den en lång tid. Det här kapitlet beskriver hur, hur ofta och vilket underhåll som behöver göras.

3.1 Underhållsschema

Dagligen	Månadsvis	Varje halvår	Årligen
<p>Hjul / Däck</p> <ul style="list-style-type: none"> • Kolla efter slitage. • Kolla däcktrycket, och öka trycket om det är nödvändigt. 	<p>Chassi</p> <ul style="list-style-type: none"> • Rengör och kontrollera skruvar och muttrar. • Se över chassit efter sprickor. <p>Plasthölje</p> <ul style="list-style-type: none"> • Rengör, kontrollera och dra åt alla skruvar och bultar. • Kontrollera att plasthöljet inte har några sprickor eller hål. <p>Drivmekanism</p> <ul style="list-style-type: none"> • Kontrollera att kedjan har rätt spänning. • Smörj kedjan. • Kontrollera om det är sandigt eller smutsigt och rengör det vid behov. • Kontrollera och dra åt bultarna. <p>Styrning</p> <ul style="list-style-type: none"> • Kontrollera alla muttrar och skruvar. • Smörj de rörliga delarna. • Rengör och olja kedjorna. • Kontrollera alla skruvar och bultar. 	<p>Drivmekanism</p> <ul style="list-style-type: none"> • Kontrollera att kullager, kedja, nav, kedjehjul och axlar fungerar korrekt. <p>Plastdelar</p> <ul style="list-style-type: none"> • Rengör plastdelarna och kontrollera efter skador. 	<p>Plastdelar</p> <ul style="list-style-type: none"> • Rengör plastdelarna och kontrollera efter skador.

3.2 Underhållsaktiviteter

3.2.1 Chassi

Chassit är antingen pulverlackerat eller svart förzinkat. För att förhindra rostbildning ska trampbilen inte lämnas ute i regnet för länge, och ramen ska rengöras regelbundet. Om du vill bevara det med smörjfett, använd endast syrafria ämnen. Du kan behandla skadade ämnen med färg.

Se över skruvarna och muttrarna efter rost och ersätt dem för att förhindra att de går sönder, vilket kan orsaka skador.

3.2.2 Hjul / Däck

Undersök regelbundet fälgarna och däcken efter skador (till exempel jack, sprickor och bulor). OBS! Skadade fälgar och däck kan leda till olyckor! Däcken får inte komma i kontakt med olja, fett eller bränsle.

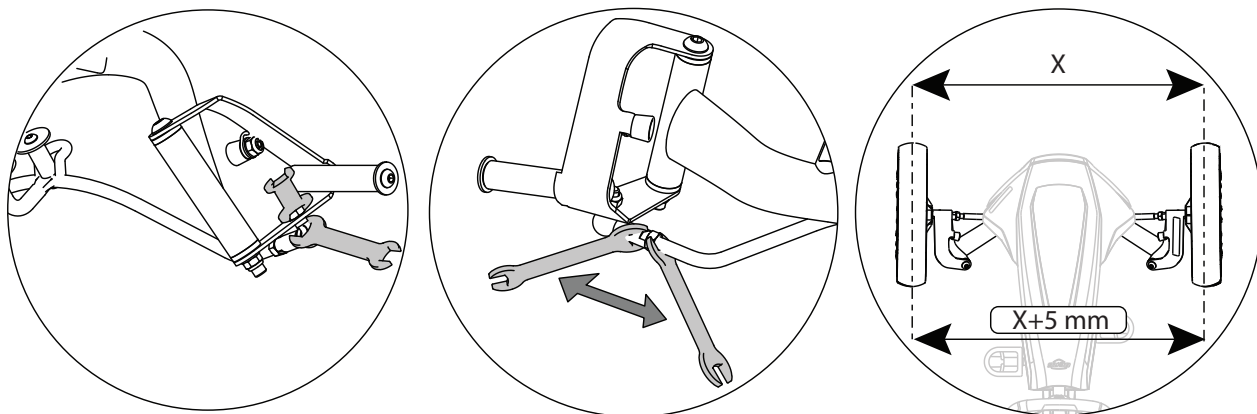
Det korrekta däcktrycket visas på utsidan av däckets. Om däckets har rätt tryck kommer produkten att vara lätt och enkel att hantera. Om trycket är för lågt kommer däckets att förlora luft snabbare och slitas mer. Om däcktrycket är för högt kan däckets till exempel lossna från fälgens, vilket kan leda till farliga situationer. OBS! Kom ihåg att i starkt solljus och vid höga temperaturer ökar däcktrycket! Däckets får inte komma i kontakt med olja, fett eller bränsle. Se till att ventilhattarna alltid sitter på ventilerna.

Felaktigt däcktryck påverkar handbromsens och parkeringsbromsens funktion och säkerhet negativt. Bromsstängens är konstruerad för att fungera optimalt vid rätt däcktryck.

3.2.3 Styrning

Styrningsutrustningen måste kontrolleras varje månad efter följande:

- Skada, rost och slitage.
- Skruven på baksidan av handteget måste dras åt.
- Alla skruvar och muttrar måste dras åt.
- Kontrollera om framhjulen är korrekt justerade. Justera vid behov enligt bifogat schema.



3.2.4 Kedja

Gokarten har en drivmekanism med två kedjor.

Se till att kedjorna är tillräckligt oljade så att de kan röra sig fritt.

Om en kedja är för hårt spänd blir produkten svårare att trampa och det är stor risk för att slitage på bland annat kedjan och kedjehjulet sker snabbare. Om en kedja inte är tillräckligt spänd kan den lätt lossna från kedjehjulet, och det är risk att kedjeskyddet tar skada.

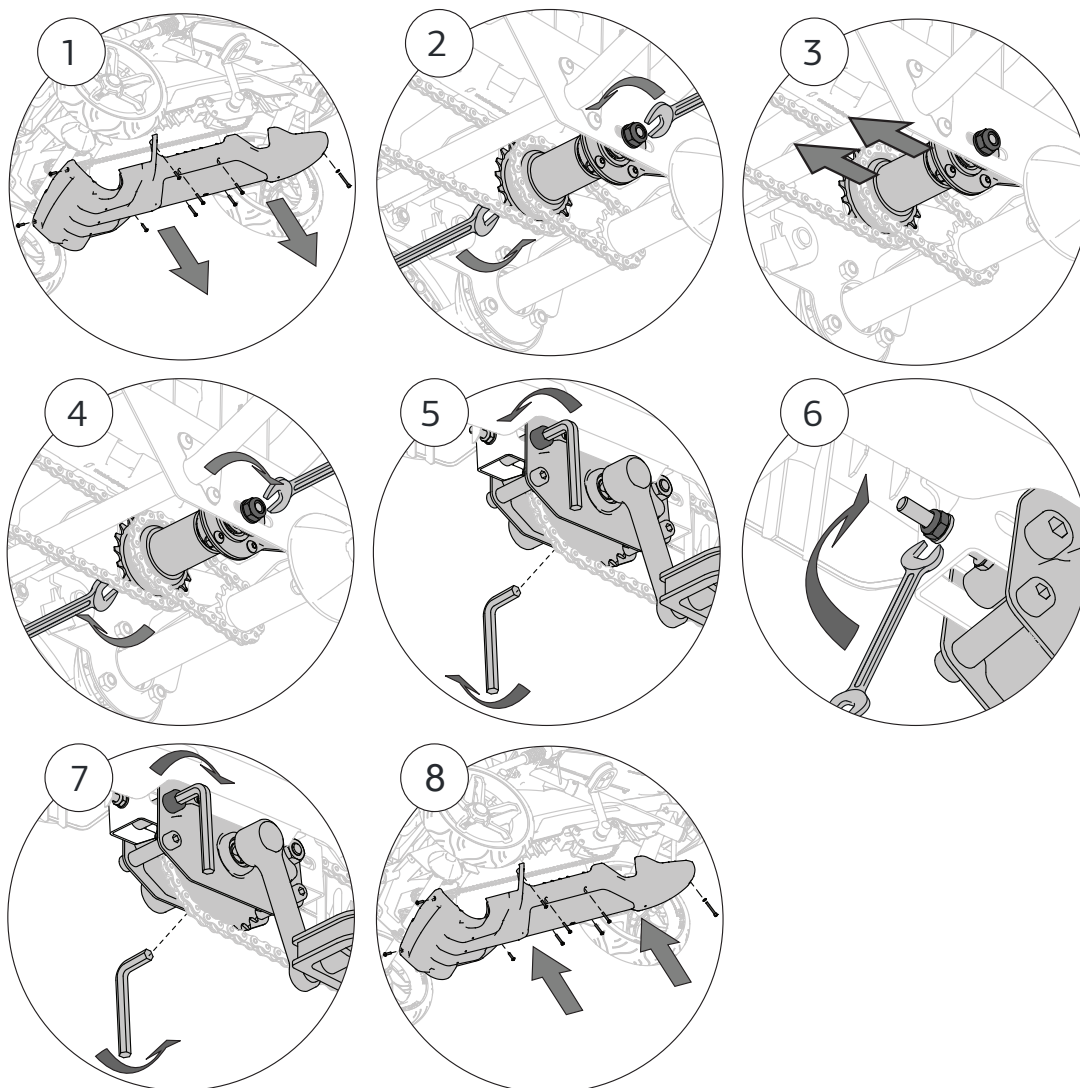
När båda kedjor behöver spännas, börja alltid med den bakre/korta kedjan.

För att spänna den bakre kedjan:

- Ta bort den skyddande huven.
- Lossa muttrarna på navet.
- Spänn kedjan genom att föra navet framåt.
- Se till att navet förblir exakt parallellt med den bakre axeln.
- Skruva åt navets muttrar igen.
- Kedjan har rätt spänning om mitten kan tryckas nedåt 6 millimeter.

Att spänna den främre kedjan:

- Lossa på skruvarna på vevaxeln på chassits undersida.
- Spänn kedjan genom att vrida spännmuttern medurs.
- Dra åt bultarna igen. Det måste vara möjligt att trycka mitten av kedjan nedåt med 1 centimeter. Kontrollera detta innan du installerar skyddshuven tillbaka på sin plats.
- Sätt tillbaka skyddsskåpan på sin plats.



3.2.5 Plastdelar

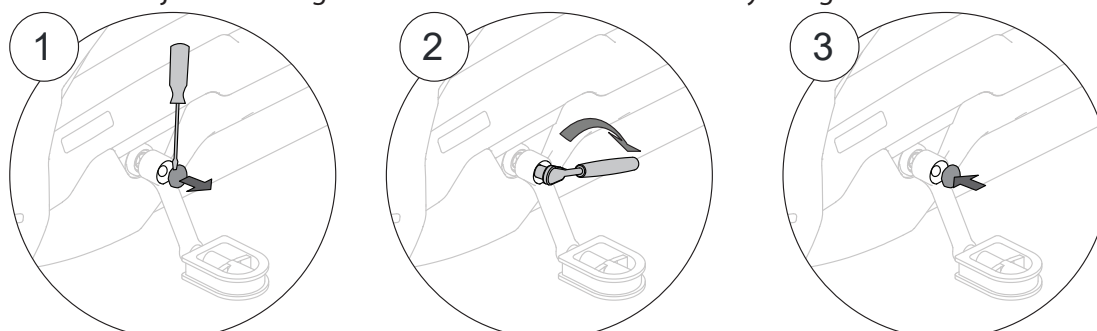
Plastdelarna måste inspekteras regelbundet för skador och sprickor.

Om någon del är sprucken måste du omedelbart byta ut den mot en originaldel, för att garantera användarens säkerhet.

3.2.6 Justering av vevaxel

Efter att produkten har används i flera dagar (intensiv användning) eller i upp till två veckor (normal användning) efter inköp behöver de skruvar som håller fast höger och vänster vevaxel skruvas åt på nytt (se illustrationen nedan). Observera att de måste dra åt "för hand", det vill säga med en kraft av högst 30 Nm. (Det är en normal effekt efter en kort periods användning att vevmekanismen sätter sig, som ett resultat av kraften mot tramporna.)

En effekt när detta inte görs regelbundet är att visst svajande kan inträffa, vilket kan skada veven och vevaxeln. Detta svajande kan åtgärdas av att man drar åt skruvarna ytterligare.



4. Garanti

4.1 Garantiperiod

Ägaren av denna BERG-produkt har följande garanti för produkten:

- Chassit har en garanti på 2 år från inköpsdatumet.
- Andra delar har en garanti på 2 år från inköpsdatumet.
- Delar som är mottagliga för slitage (som kedjor och däck) utesluts från garantin.
- Se www.bergtoys.com för utförliga garantivillkor.

4.2 Garantiregler

Produktens ägare kan endast göra anspråk på garantin genom att visa originalkvittot från köpet. Garantin gäller endast för fel i material och konstruktion med avseende till denna produkt och dess delar. Garantin gäller inte om:

- Produkten används oriktigt eller vårdslöst.
- Produkten används på ett sätt som inte stämmer överens med dess syfte.
- Produkten inte monteras och underhålls i enlighet med användarmanualen.
- Tekniska reparationer av produkten inte görs på ett professionellt vis.
- Delar monterade i efterhand inte möter tekniska specifikationer för den aktuella produkten eller inte har monterats korrekt.
- Tillagda eller ersatta delar inte är officiella reservdelar eller tillbehör från BERG.
- Brister uppstår som ett resultat av väder och klimat, som rost eller normalt slitage på färgen.
- Produkten har använts till uthyrning eller på något annat vis gjorts tillgänglig till flera ospecificerade personer.

BERG kan inte under några omständigheter hållas ansvariga för skador på produkten (eller dess delar) till följd av:

- Inkorrekt justering/åtskruvning av styrningen, styrningsmekanismen, kedjor och däck.
- Att byte av delar som kedjan och däcken inte har gjorts i tid.

Under garantiperioden kommer alla fel på material eller konstruktion som fastställts av BERG att repareras eller ersättas enligt BERGs godtycke.

Ägaren av produkten kan endast åberopa denna garanti genom att besöka det företag som sålde produkten. Förutom klagomålet, ta med dig produktens serienummer och det ursprungliga inköpskvittot. Du kan hitta serienumret på produktens ram.

Om garantibegäran inte godkänns måste alla kostnader som uppstått betalas av ägaren.

Garantin kan inte föras över till tredje part.

BERG



PRODUCT REGISTRATION

Would you like free supplementary guarantee?*

Don't forget to register your product online immediately! Go to www.bergtoys.com/registration. This will ensure your 3-year, 5-year (go-karts), 8-year or 13-year (trampolines) frame guarantee on your purchase.

*For the conditions, please visit www.bergtoys.com/registration

Wil je extra gratis garantie?*

Vergeet je product dan niet na aankoop direct online te registreren via www.bergtoys.com/nl/registration. Hiermee krijg je 3, 5 (skelters), 8 of 13 jaar (trampolines) framegarantie op jouw aankoop.

*Bekijk de voorwaarden op www.bergtoys.com/nl/registration

Möchtest du eine kostenlose Zusatzgarantie?*

Vergiss dann nicht, dein Produkt gleich nach dem Kauf unter www.bergtoys.com/de/registration online zu registrieren! Du erhältst dann eine Garantie von 3, 5 (Pedal-Gokarts), 8 oder 13 Jahren (Trampoline) auf den Rahmen deines neuen Produkts.

*Die Bedingungen findest du auf www.bergtoys.com/de/registration

Veux-tu une garantie supplémentaire gratuite?

N'oublie pas d'enregistrer ton produit en ligne directement après l'achat via www.bergtoys.com/fr/registration. Tu auras ainsi 3 ans, 5 ans (karts à pédales), 8 ou 13 ans (trampolines) de garantie sur le cadre du produit acheté.

*Consulte les conditions sur www.bergtoys.com/fr/registration

¿Quieres garantía adicional de forma gratuita?*

¡Entonces no olvides registrar el producto directamente online a través de www.bergtoys.com/es/registration. De esta manera obtendrás 3, 5 (coches de pedales), 8 o 13 años (camas elásticas) de garantía sobre la estructura/armazón.

*Consulta las condiciones en www.bergtoys.com/es/registration

Desideri la garanzia addizionale gratuita?*

Non dimenticarti di registrare immediatamente il prodotto online. Vai su www.bergtoys.com/registration. Otterrai la garanzia di 3 anni, 5 anni (go-kart), 8 anni o 13 anni (trampolini) sul tuo acquisto.

*Per le condizioni, visita www.bergtoys.com/registration

Er du interesseret i en gratis supplerende garanti?*

Glem ikke at registrere dit produkt online med det samme! Gå til www.bergtoys.com/registration. Dette vil sikre, at du får en rammegaranti på 3 år, 5 år (go-karts) samt 8 eller 13 år (trampolinerne).

*For at se betingelserne, så besøg www.bergtoys.com/registration

Vill du ha extra gratis garanti?*

Glöm då inte att direkt efter köpet registrera din produkt online via www.bergtoys.com/registration. Då får du 3, 5 (trampbilar), 8 eller 13 (studsmattor) års ramgaranti på ditt köp.

*Se alla villkor på www.bergtoys.com/registration



www.bergtoys.com/registration