

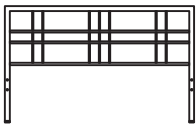
PAXOS BED

Simple Assembly Instruction - Please keep for future reference

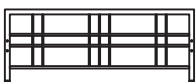


COMPONENTS

01 1 X HEADBOARD



02 1 X FOOTBOARD



03 2 X SIDE RAILS



04 1 X CENTER RAIL



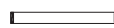
05 2 X SUPPORT RAIL



06 30 X SPRING SLAT



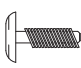
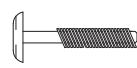
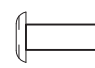
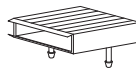


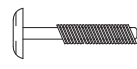

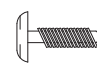
07 2 X KD LEG



IMPORTANT

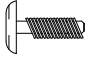
- 1) Read these instruction carefully and familiarise your self with the procedure before assembling the unit.
- 2) Check that you have all the component parts following the list on the back cover and familiarise yourself with each part before proceeding.
- 3) Take all the fitting out of the plastic bag and separate them into their groups.
- 4) Ensure you have enough space to layout all the parts before assembly.
- 5) To avoid scratching it is recommended that you assemble the unit on a soft level surface.

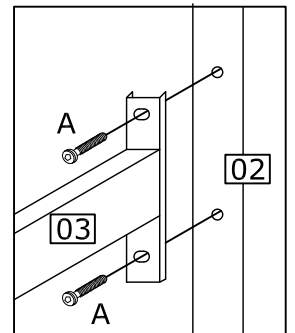
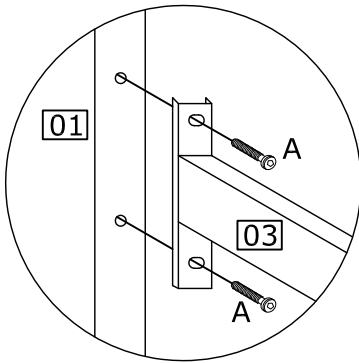
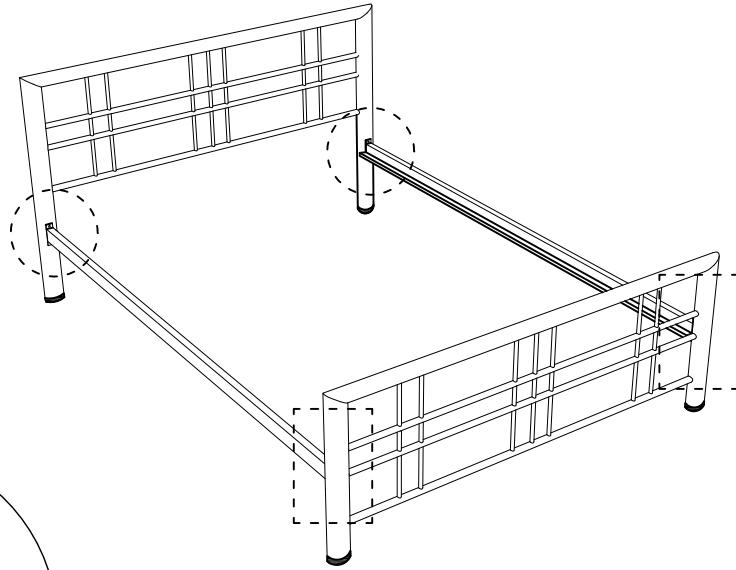
FITTINGS

<p>A</p>  <p>SCREW M6 x 15MM</p> <p>8 PCS</p>	<p>B</p>  <p>SCREW M6 x 45MM</p> <p>4 PCS</p>	<p>C</p>  <p>JCN NUT M6 x 20MM</p> <p>6 PCS</p>	<p>D</p>  <p>SIDE SLAT STOPPER</p> <p>30 PCS</p>	<p>E</p>  <p>CENTER SLAT STOPPER</p> <p>15 PCS</p>
<p>F</p>  <p>SQUARE STOPPER</p> <p>2 PCS</p>	<p>G</p>  <p>SCREW M6 x 35MM</p> <p>2 PCS</p>	<p>H</p>  <p>IM4 ALLEN KEY</p> <p>2 PCS</p>	<p>I</p>  <p>SCREW M6 x 20MM</p> <p>2 PCS</p>	

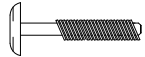
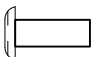
WE STRONGLY RECOMMEND THAT YOU **DO NOT** USE POWER TOOLS DURING ASSEMBLY. POWER TOOLS CAN OVERTIGHTEN AND **DAMAGE COMPONENTS** OR MAKE THE **PRODUCT UNSAFE**. AND DAMAGE DUE TO THE USE OF POWER TOOLS ARE AT THE CUSTOMERS OWN RISK AND WILL NOT BE ACCEPTED BACK BY THE SUPPLIER. WE RECOMMEND YOU USE THE TOOLS PROVIDED IN YOUR ASSEMBLY KIT.

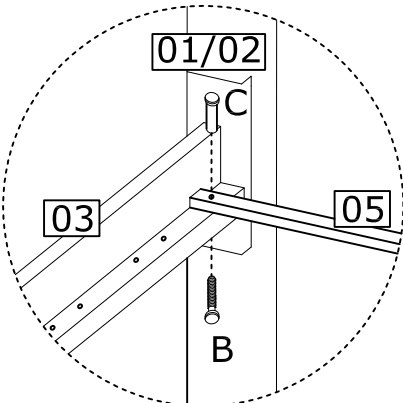
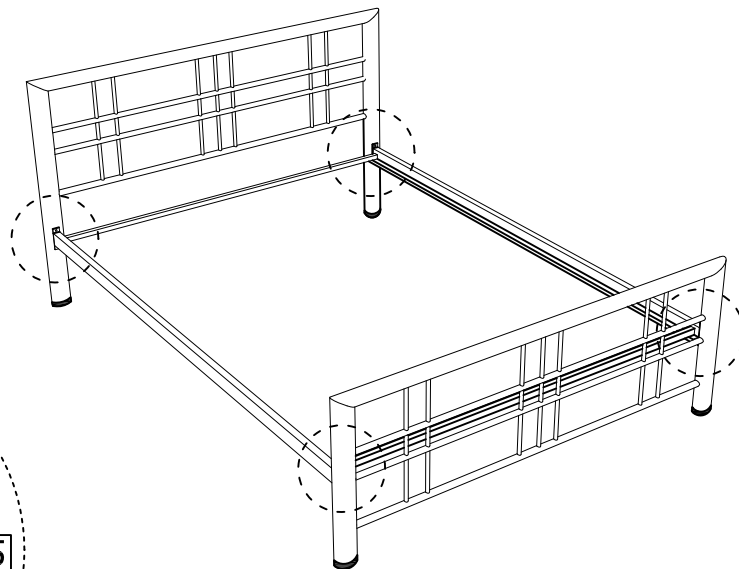
Step 1

A	
SCREW M6 x 15MM	
8 PCS	

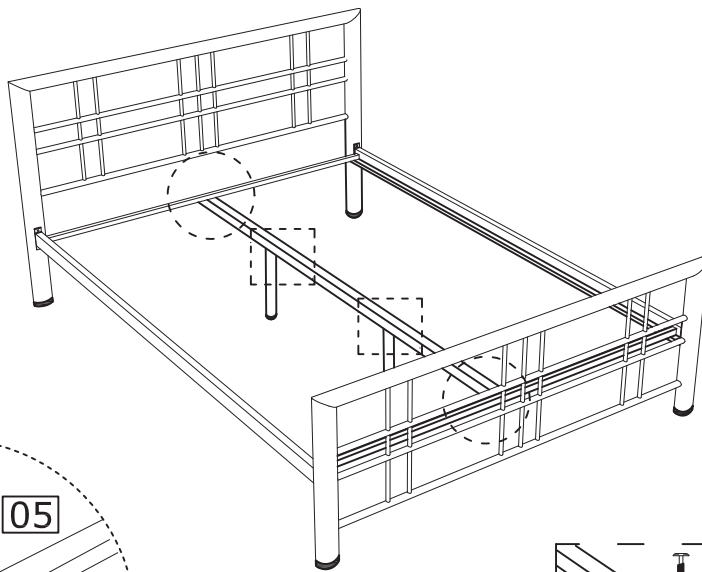


Step 2

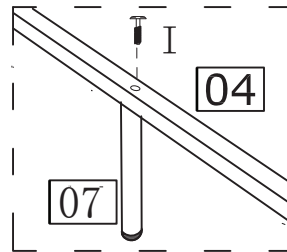
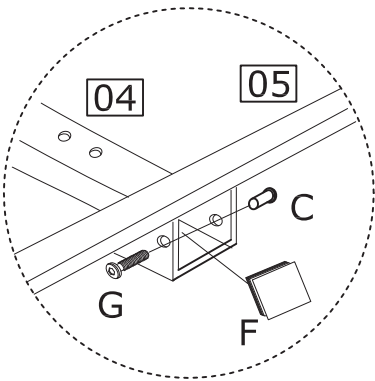
B	
SCREW M6 x 45MM	
4 PCS	
C	
JCN NUT M6 x 20MM	
4 PCS	



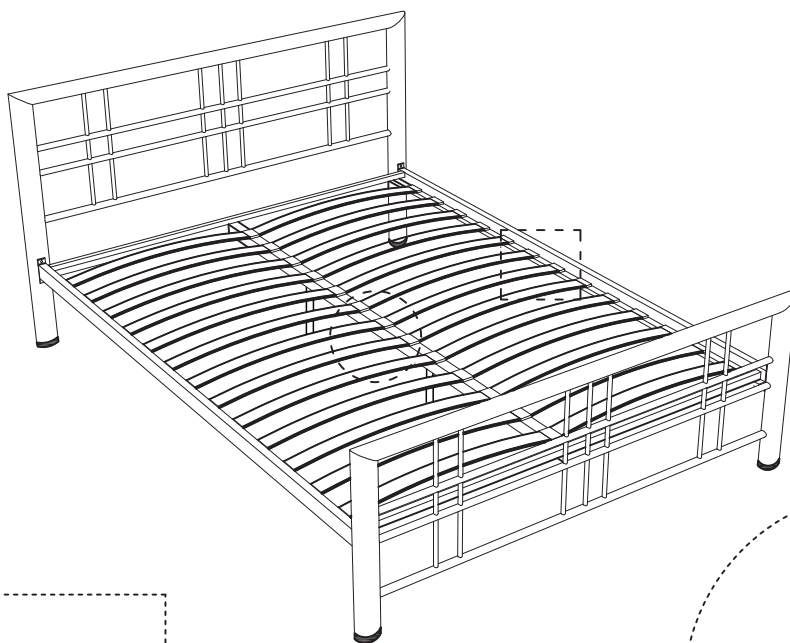
Step 3



C		2 PCS
F		2 PCS
G		2 PCS
I		2 PCS



Step 4



D		30 PCS
E		15 PCS

