

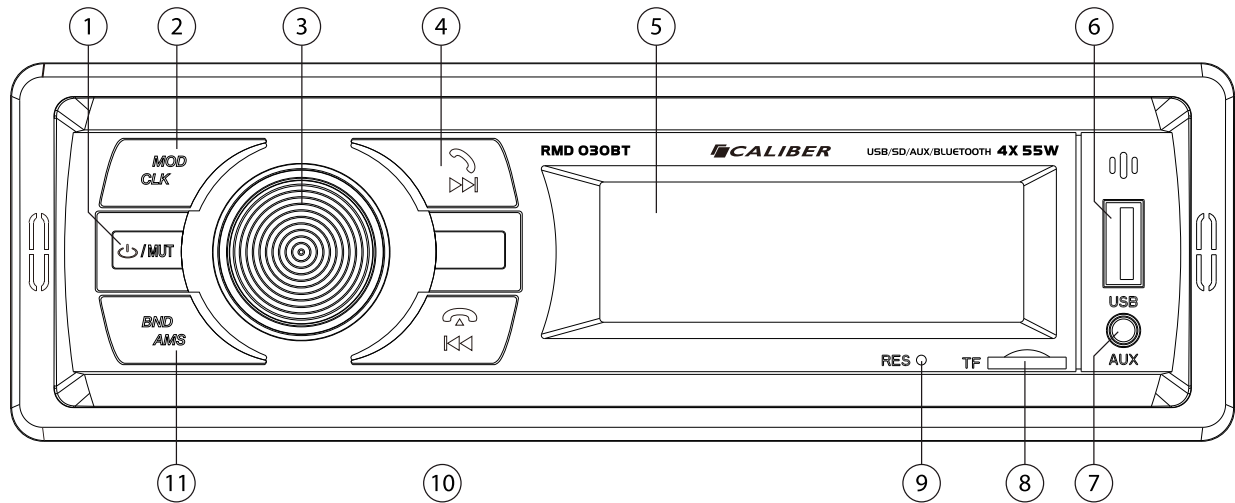
# **CALIBER**



## **RMD 030BT** Manual

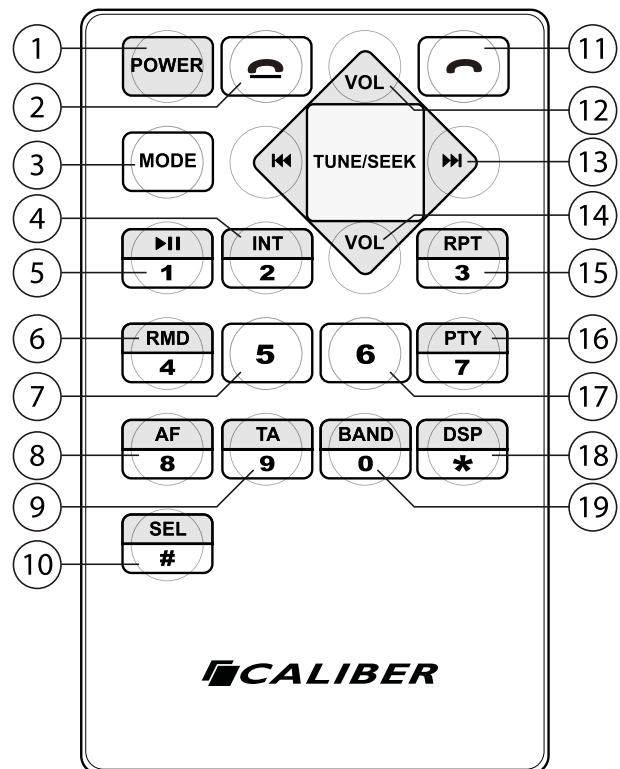
**GB**

# I. Control Panel



- |   |  |
|---|--|
| 1. Power switch/Mute/Pause                                | 8. AUX-IN jack   |
| 2. Mode switching/Clock button                            | 9. MicroSD card slot   |
| 3. Volume control/Function selection                      | 10. Reset button   |
| 4. Next track/Search radio station forwards/Answer button | 11. Previous track/Search radio station backwards/Hang-up button |
| 5. Display  | 12. Band switching/Automatic memory storage                      |
| 6. USB interface (No charge function)                     |  |
| 7. Built-in microphone                                    |  |

1. Power ON/OFF
2. End/ignore call
3. Mode switch (Tuner/AUX/Bluetooth)
4. Intro play / Preset 2 / No. 2
5. Play/Pause playback / Preset 1 / No. 1
6. Shuffle playback / Preset 4 / No. 4
7. Preset 5 / No. 5 / -10 tracks
8. RDS AF mode / Preset 8 / No. 8
9. RDS TA mode / Preset 9 / No. 9
10. Audio (settings) menu / Numeric #
11. Call pickup
12. Increase volume / + in menu
13. Next track / tune seek
14. Decrease volume / - in menu
15. Repeat mode / Preset 3 / No. 3
16. PTY / Preset 7 / No. 7
17. Preset 6 / No. 6 / +10 tracks
18. Display / Numeric \*
19. Band / Numeric 0



## II. Basic operations

### 1. Power switch/mute/pause button (⏻)

- Short press “⏻” button in the standby state and the radio will be started up; long press “⏻” in the ON state and the radio will be shut down.
- Short press this button in the radio or AUX state, and it is the “Mute” function. Short press this button when the MP3 is being played, and it is the “Pause/Play” function.

### 2. Mode switching/clock button (MOD/CLK)

- Short press this button to switch the mode (Radio/USB/SD/AUX/BT).
- Long press this button to display the clock which will automatically exit after 3 sec. When the clock is displayed, long press this button for 2 sec. to adjust the hour: the digit will flicker, and rotate the volume knob to adjust the time; short press this button again to adjust the minute: the digit will flicker, and rotate the volume knob to adjust the time. 5 sec. after completion of the operation, the system will automatically confirm the time and return to the state before entering the clock adjustment.

### 3. Volume control/function selection button / RDS features

- Adjust this button clockwise to increase the volume and counterclockwise to reduce the volume in the radio/playback state.
- Short press this button in the radio/playback state to enter function of BASS, TER (treble), BAL (balance), FAD (fader), EQ (equalizer), LOUD ALL (loudness), DX/LOC (distant/local), STEREO/MONO (stereo radio/force mono), CH/STEP (choose radio station/stepped frequency), CLOCK24/12 (24/12-hour clock), or AREA EU/US (European standard/American standard), and adjust the volume knob to select the corresponding function.
- When it is receiving or playing, long press it for functions selection (AF ON, TA OFF, TAVOL25, REG OFF, EON OFF). Select relative functions through the volume knob.

### 4. Next track/search radio station forwards/answer button (⏭)

- In the radio state, short press this button to select next radio station, and long press this button to semi-automatically search the radio stations forwards.
- In the MP3 playback state, short press this button to select the next song, and long press this button to fast forward the song.
- In the *Bluetooth* phone state, short press this button to “Answer” the call.

### 5. Display

It displays the radio frequency and current playback information.

### 6. USB interface (USB)

Insert a USB flash drive, and it will automatically play the song in the corresponding format.

### 7. Built-in microphone

Built-in microphone for handsfree calling

### 8. AUX-IN jack (AUX)

It is used for connecting external audio signal.

### 9. MicroSD card slot / TF card slot (TF)

Insert a MicroSD card, and it will automatically play the song in the corresponding format.

### 10. Reset button (RES)

Short press this button to conduct system resetting when the radio system functions in disorder. The radio shall be restarted for operation after the resetting.

### 11. Previous track/search radio station backwards/hang-up button (⏮)

- In the radio state, short press this button to select previous radio station, and long press this button to semi-automatically search the radio stations backwards.
- In the MP3 playback state, short press this button to select the previous song, and long press this button to fast backward the song.
- In the *Bluetooth* phone state, short press this button to “Hang up” the call.

12. Band switching/automatic station locking (BND/AMS)

In the radio state, short press this button to switch the band (FM1-FM2-FM3), and long press this button to automatically search the radio stations and store the searched stations in P1-P6 in order; after the automatic search, the radio station stored in P1 will be automatically played. 6 radio stations can be stored in each band, and 18 radio stations in total can be stored.

III. Operating Instructions for Station Adjustment

Manual step-by-step station adjustment

In the radio state, short press “SEL” button for many times to enter the “CH” (choose radio station) state, and adjust the volume knob to enter “STEP” (stepped frequency) state. And then short press “▶” or “◀” to adjust the station step by step, and the system will automatically return to “CH” state after 5 sec. without operation.

IV. Bluetooth Operation

1. Pairing the mobile phone and radio

Approach the mobile phone to the radio, turn on the *Bluetooth* of the mobile phone, and search the *Bluetooth* name of the radio “RMD 030BT CALIBER” (password: 0000) in the mobile phone and connect them.

2. Making call via the *Bluetooth*

Press “MODE” button to switch to “BT” state after completion of *Bluetooth* connection, and then long press “▶” to call the last number connected.

3. Answering call via the *Bluetooth*

After completion of *Bluetooth* connection, short press the “▶” button on the panel to answer the phone when there is an incoming call. To switch the voice, long press “BAND” on the panel to switch the call between the mobile phone and the radio. Press “◀” on the panel to hang up the phone after end of the call.

4. Playing music via the *Bluetooth*

Press “MOD/CLK” button to switch to “BT” state when the mobile phone is connected with the radio. Short press “⏮” on the panel for twice to play/pause the music. Press the “▶” button on the panel to select next song. Press “◀” on the panel to select previous song.

V. Basic RDS operation

1. AF function

At the first time to start the device, the system will be in RDS (AF) status automatically by default. RDS (AF) must be closed to connect to FM band stations.

2. REG function

At any status when the device is on, long press “SEL” and then briefly press it again to enter into “REG OFF”. Then adjust the volume knob to choose whether open local selection function.

3. TA function

At any status when the device is on, long press “SEL” and then briefly press it again to enter into “TA OFF”. Then adjust the volume knob to choose “TA ON”, i.e. automatic play of traffic information.

4. TA volume selection function

At any status when the device is on, long press “SEL” and then briefly press it again to enter into “TA VOL”. Then adjust the volume knob to modify TA volume.

5. EON function

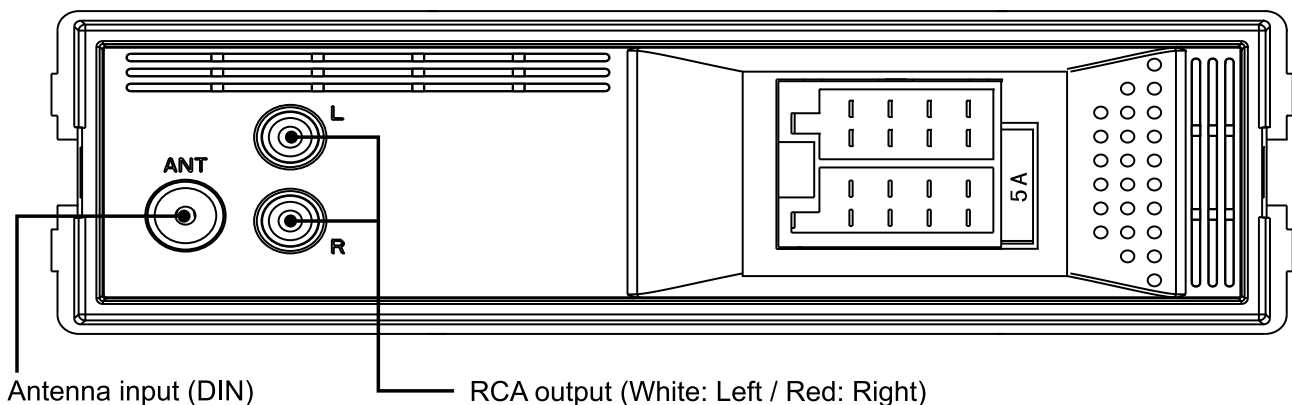
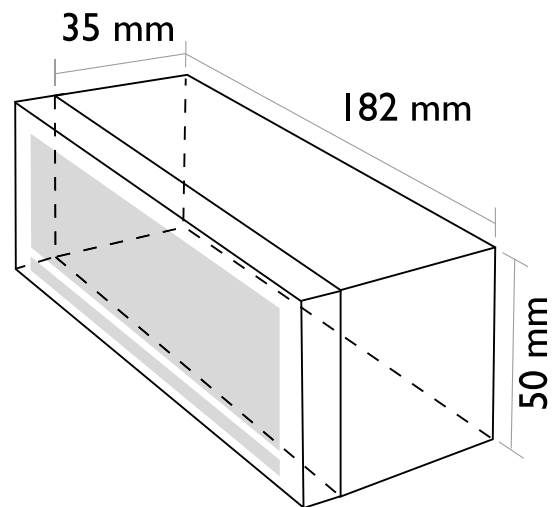
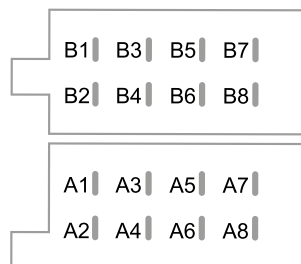
At any status when the device is on, long press “SEL” and then briefly press it again to enter into “EON”. Then adjust the volume knob to choose whether to display information of other stations.

## VI. Wiring Diagram

### ISO connector:

- B1. Rear right speaker(+) / Purple
- B2. Rear right speaker(-) / Purple-Black
- B3. Front right speaker(+) / Grey
- B4. Front right speaker(-) / Grey-Black
- B5. Front left speaker(+) / White
- B6. Front left speaker(-) / White-Black
- B7. Rear left speaker(+) / Green
- B8. Rear left speaker(-) / Green-Black

- A1. Not connected
- A2. Not connected
- A3. Not connected
- A4. Battery 12V (+) / Yellow
- A5. Antenna power / Blue-White
- A6. Not connected
- A7. ACC+ / Red
- A8. Ground / Black



**Warning: The negative speaker lead should NOT be grounded, otherwise it will damage the radio!**

We are continuously improving/updating our products and product information. It's therefore possible that there is a slight difference between the description in this manual to the operation of the product. If something is different or not clear; always check our website for the most current version.

## WARNING!

**To connect the unit, use ISO connectors only.**  
 If your vehicle isn't equiped with an ISO connector, please use the provided ISO loom cable. This prevents an incorrect wired connection.

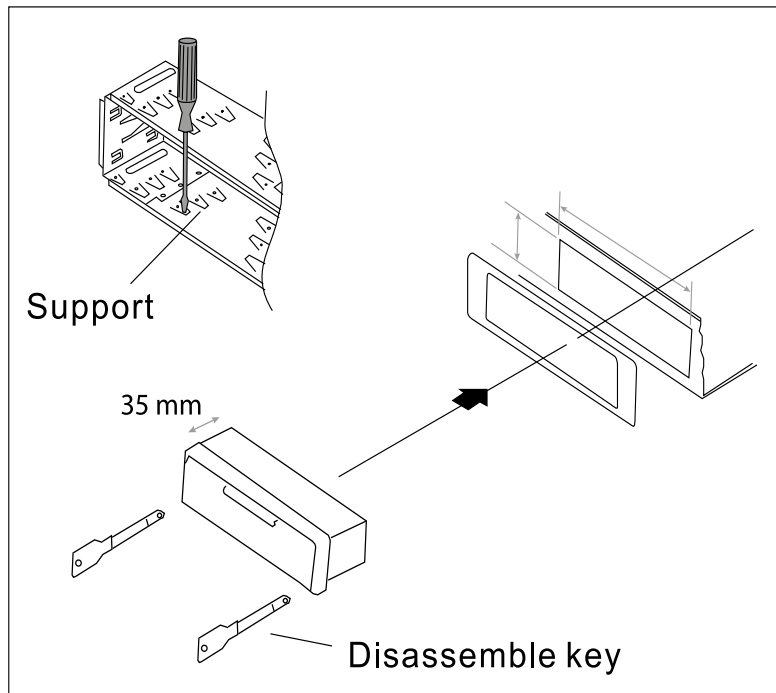
**Damage caused by faulty wiring: warranty will be void.**

## 6. PTY function

When the device is in reception, briefly press "PTY/7" on the remote controller to enter into "PTY" select state. Then choose program types via volume +/-.

## VI. Installation Drawing

1. Before installing the radio, place the radio according to the assembly position, and connect the corresponding speaker line and power line for listening test.
2. Fix the radio only after its running effect is ideal.



### ■ Install the radio

1. Install the support on the dashboard, and bend its partial parts for sticking in the positions.
2. Connect the power line and speaker line, and fix the fixing plate on the car.
3. Insert the antenna plug and push the radio into the support, and tighten fixing screws of the fixing plate.

### ■ Disassemble the radio

Insert both of the tool for disassembling radio into the gaps on left and right sides to make them hook the radio, and then gently pull out the tools to make the radio separated from the support. Then disassemble the connecting lines and unplug the antenna plug.

- GB** Caliber hereby declares that the item RMD 030BT is in compliance with the essential requirements and other relevant provisions of Directive 2014/53/EU (RED), 2011/65/EU (RoHS), 2014/30/EU (EMC) and 2014/35/EU (LVD).
- FR** Par la présente Caliber déclare que l'Appareil RMD 030BT est conforme aux exigences essentielles et aux autres dispositions pertinentes de la directive 2014/53/EU (RED), 2011/65/EU (RoHS), 2014/30/EU (EMC) et 2014/35/EU (LVD).
- DE** Hiermit erklärt Caliber, dass sich das Gerät RMD 030BT in Übereinstimmung mit den grundlegenden Anforderung und übrigen einschlägigen Bestimmungen der Richtlinie 2014/53/EU (RED), 2011/65/EU (RoHS), 2014/30/EU (EMC) und 2014/35/EU (LVD) befindet.
- IT** Con la presente Caliber dichiara che questo RMD 030BT è conforme ai requisiti essenziali ed alle altre disposizioni pertinenti stabilite dalla direttiva 2014/53/EU (RED), 2011/65/EU (RoHS), 2014/30/EU (EMC) e 2014/35/EU (LVD).
- ES** Por medio de la presente Caliber declara que el RMD 030BT cumple con los requisitos esenciales y otra disposiciones Aplicables o exigibles de la Directiva 2014/53/EU (RED), 2011/65/EU (RoHS), 2014/30/EU (EMC) e 2014/35/EU (LVD).
- PT** Caliber declara que este RMD 030BT está conforme com os requisitos essenciais e outras disposições da Directiva 2014/53/EU (RED), 2011/65/EU (RoHS), 2014/30/EU (EMC) e 2014/35/EU (LVD).
- S** Härmed intygar Caliber att denna RMD 030BT Pro står i överensstämmelse med de väsentliga egenskapskrav och övriga relevanta bestämmelser som framgår av direktiv 2014/53/EU (RED), 2011/65/EU (RoHS), 2014/30/EU (EMC) sv 2014/35/EU (LVD).
- PL** Niniejszym Caliber oświadcza, że RMD 030BT jest zgodne z zasadniczymi wymaganiami oraz innymi stosownymi postanowieniami Dyrektywy 2014/53/EU (RED), 2011/65/EU (RoHS), 2014/30/EU (EMC) i 2014/35/EU (LVD).
- DK** Undertegnede Caliber erklærer hermed, at følgende udstyr RMD 030BT overholder de væsentlige krav og øvrige relevante krav i direktiv 2014/53/EU (RED), 2011/65/EU (RoHS), 2014/30/EU (EMC) og 2014/35/EU (LVD).
- EE** Käesolevaga kinnitab Caliber seadme RMD 030BT vastavust direktiivi 2014/53/EU (RED), 2011/65/EU (RoHS), 2014/30/EU (EMC) põhioletete ja nimetatud direktiivist tulenevatele teistele asjakohastele sätetele ja 2014/35/EU (LVD).
- LT** Šiuo Caliber deklaruoja, kad šis RMD 030BT atitinka esminius reikalavimus ir kitas 2014/53/EU (RED), 2011/65/EU (RoHS), 2014/30/EU (EMC) Direktyvos nuostatas ir 2014/35/EU (LVD).
- FI** Caliber vakuuttaa täten että RMD 030BT tyyppinen laite on direktiivin 2014/53/EU (RED), 2011/65/EU (RoHS), 2014/30/EU (EMC) oleellisten vaatimusten ja sitä koskevien direktiivin muiden ehto jen mukainen ja 2014/35/EU (LVD).
- IS** Hér með lýsi Caliber yfir því að RMD 030BT erí samræmi við grunnkröfur og aðrar kröfur, sem gerðar eru í tilskipun 2014/53/EU (RED), 2011/65/EU (RoHS), 2014/30/EU (EMC) and 2014/35/EU (LVD).
- NO** Caliber erklærer herved at utstyret RMD 030BT er i samsvar med de grunnleggende krav og øvrige relevante krav i drektiv 2014/53/EU (RED), 2011/65/EU (RoHS), 2014/30/EU (EMC) og 2014/35/EU (LVD).
- NL** Hierbij verklaart Caliber dat het toestel RMD 030BT in overeenstemming is met de essentiële eisen en de andere relevante bepalingen van richtlijn 2014/53/EU (RED), 2011/65/EU (RoHS), 2014/30/EU (EMC) en 2014/35/EU (LVD).



Latest declaration form can be found at:  
<https://calibereurope.com/nlmedia/forms/DeclarationRMD030BT.pdf>

**WWW.CALIBEREUROPE.COM**

**CALIBER EUROPE BV · Kortakker 10 · 4264 AE Veen · The Netherlands**