

Sharkoon

T9

Manual



Content

1. Features
2. Package content
3. The case at a glance
4. Installation of a mainboard
5. Installation of a PSU
6. Installation of a HDD
7. Installation of an optical device
8. Installation of a 3.5" device
9. Installation of an add-on card
10. The pre-installed fans (Value edition only)
11. Installation of additional fans / optimized airflow

Dear customer!

Congratulations for purchasing this premium quality SHARKOON product.
For a long life time and to take full advantage of this product we recommend you to read this manual completely.

Have a good time with our product!

SHARKOON Technologies GmbH

1. Features





- ATX case
- 9x 5.25" drive bays
- Front I/O (Value edition): 1x USB3.0, 3x USB2.0 and 2x audio
- Front I/O (Economy edition): 4x USB2.0 and 2x audio
- 7 slots for add-on cards
- Mesh front panel
- Quick fasteners for optical drives, mainboard mounting panel with installation opening for coolers
- 2 openings for water cooling
- Cable management system
- Fan configuration:

	Value edition	Economy edition
Case front	2x 120 mm fan with LED as well as 3-pin and 4-pin connector (pre-installed)	1x 120 mm fan (optional)
Side panel	Acrylic	2x 120 mm fans (optional)
Rear panel	1x 120 mm fan with LED as well as 3-pin and 4-pin connector (pre-installed)	1x 80 mm or 120 mm fan (optional)

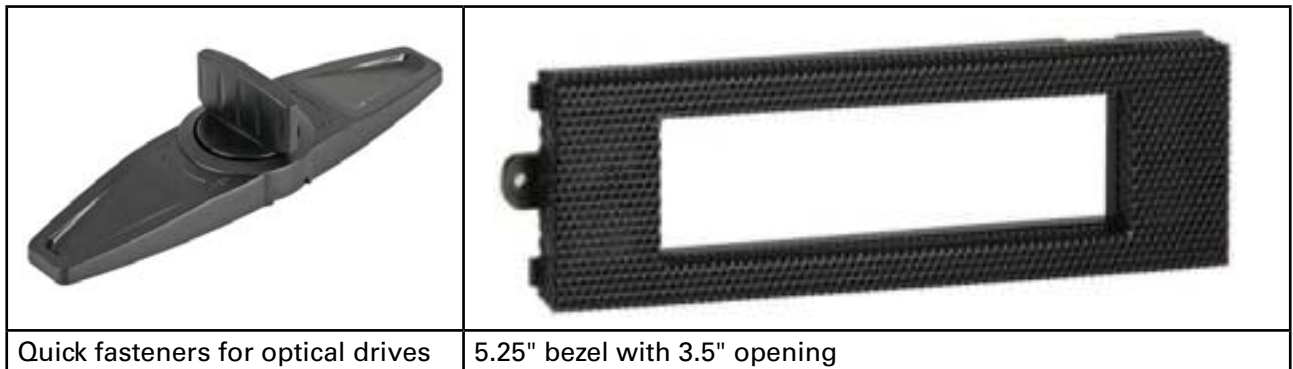
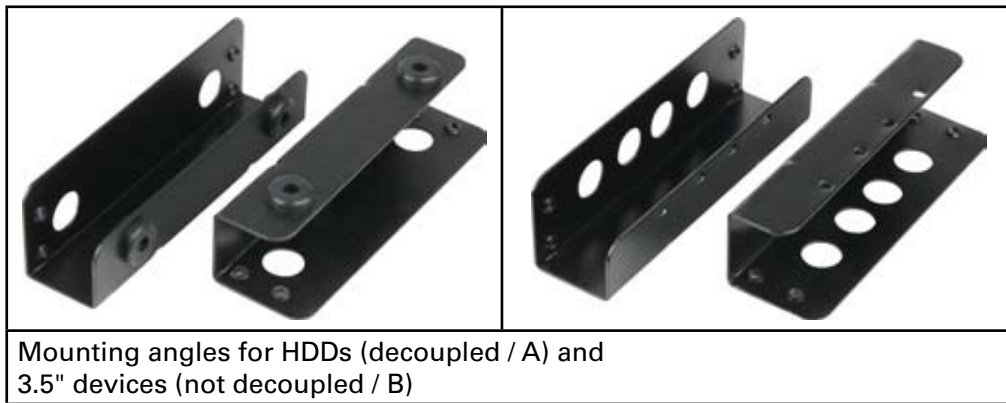
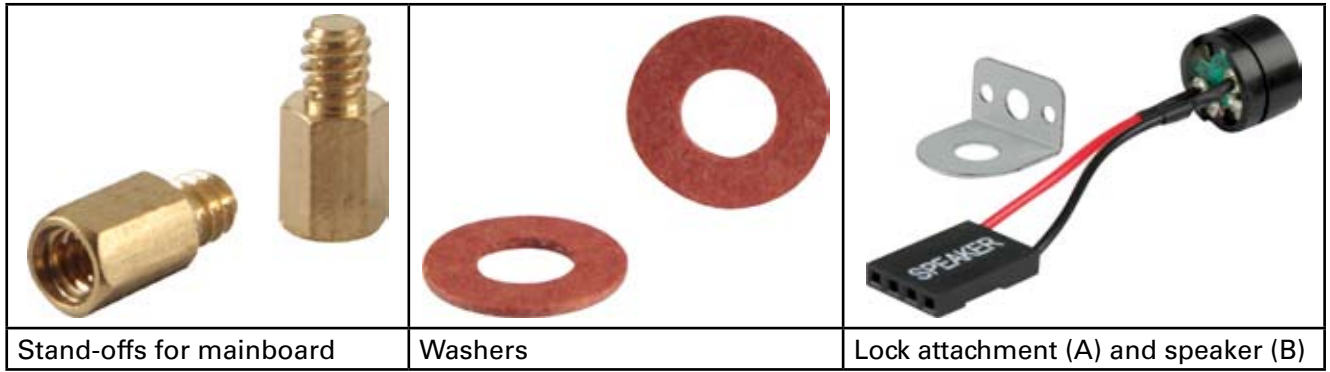
- Dimensions: 475 x 200 x 440 mm (L x W x H)
- Weight: ~6.6 kg

2. Package content

- PC case "T9 Value" or "T9 Economy"
- Screw kit:

			
Screws for mainboard mounting	Screws for PSU mounting	Screws for drive mounting (3.5" and 5.25")	Screws for HDD mounting

- Accessory kit:



Note:

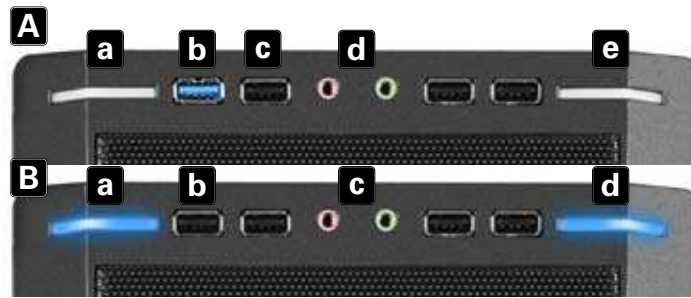
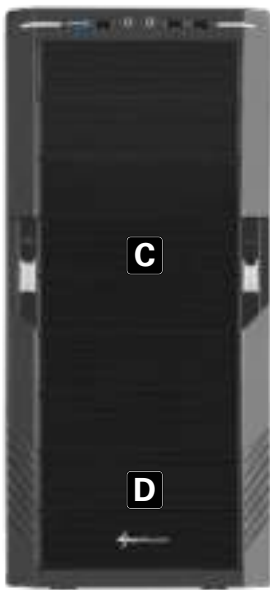
If you are missing any of the items listed above, please contact our customer service immediately:

support@sharkoon.com (Germany and Europe)

support@sharkoon.com.tw (international).

3. The case at a glance

Front view



A – Front I/O (Value edition):

- a – Power LED
- b – USB3.0 connector
- c – USB2.0 connectors
- d – Audio connectors
- e – Power and HDD LED

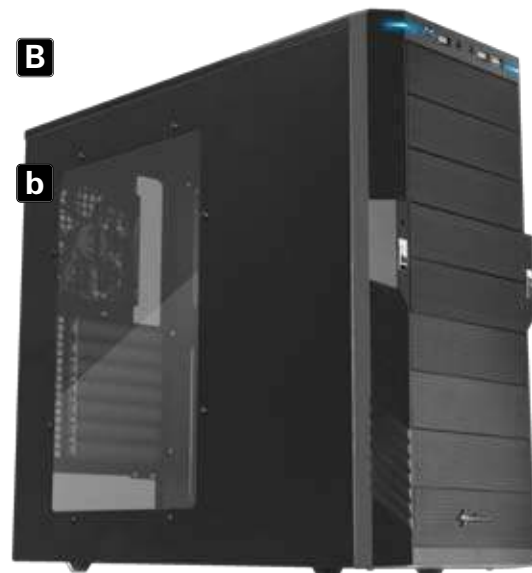
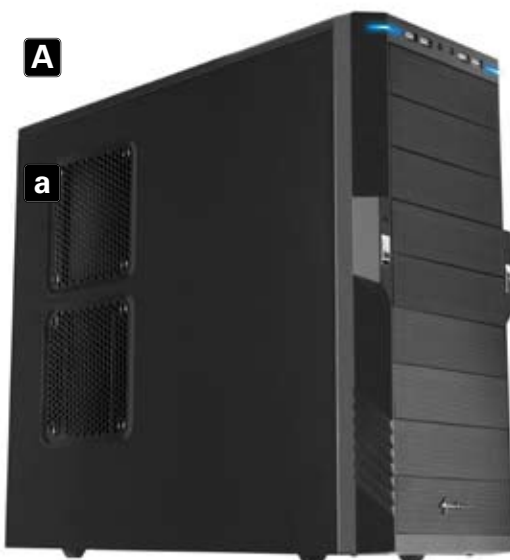
B – Front I/O (Economy edition):

- a – Power LED
- b – USB2.0 connectors
- c – Audio connectors
- d – Power and HDD LED

C – 5.25" drive bays

D – covered: pre-installed 120 mm fans (Value edition)

Side view (closed/left)



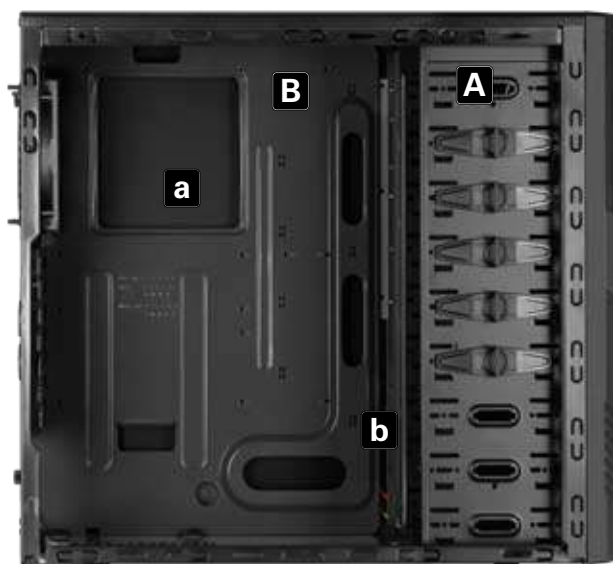
A – T9 Economy edition

- a – Brackets for two 120 mm fans

B – T9 Value edition

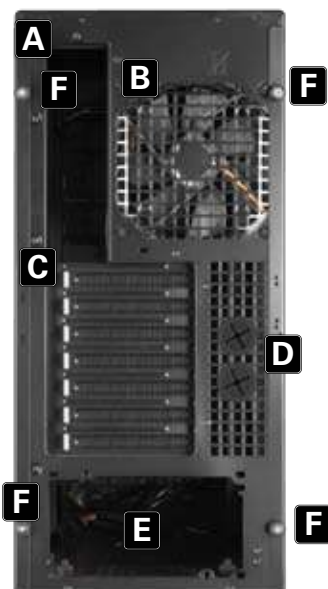
- b – Acrylic side panel

Side view (opened/left)



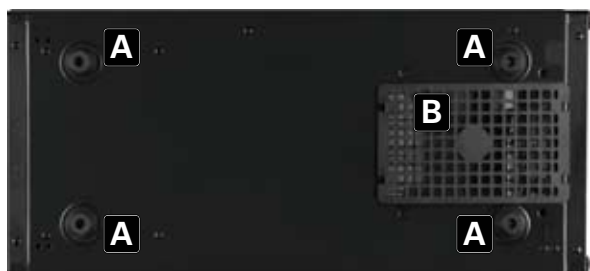
- A – Drive bays for 5.25" devices
- B – Mainboard mounting panel with:
 - a – Installation opening for CPU coolers and
 - b – Cable management system

Back side view



- A – Opening for I/O shield
- B – Pre-installed 120 mm fan (Value edition)
- C – Slot bezels
- D – Openings for water cooling
- E – PSU bracket
- F – Thumb screws

Bottom view



- A – Case feet
- B – Air intake for PSU

Note:

For more information on how to install the intended devices, refer to their respective documents.

4. Installation of a mainboard

1. Open the case by loosening the thumb screws on the case's back side and removing the left side panel. Lay down the case sidewise on an even surface.
2. The mainboard's mounting panel inside the case provides various drillings to fix the stand-offs (fig. 1).



fig. 1

The mainboard contains special screw openings (fig. 2).

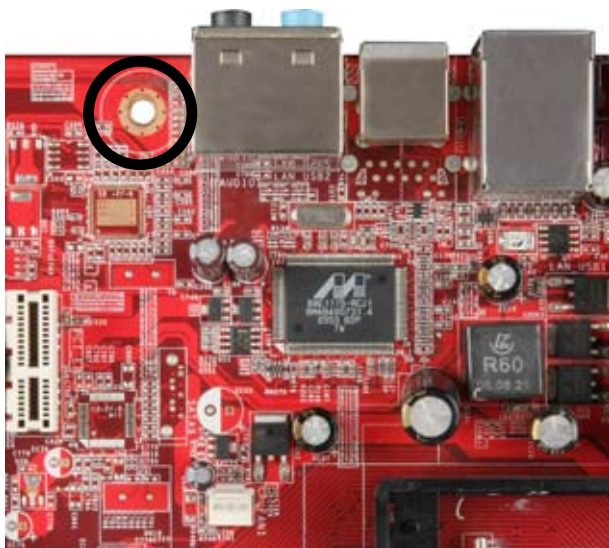


fig. 2

Place the mainboard to the mounting panel. A stand-off must be screwed into every drilling of the mounting panel visible through the mainboard's screw openings.

3. Remove the mainboard and screw the stand-offs into the respective drillings of the mounting panel (fig. 3).



(Stand-offs)



fig. 3

4. Press the I/O shield (delivered with the mainboard) into the I/O shield opening in the case's back side.
5. Place the mainboard back onto the stand-offs and screw the mainboard to them (fig. 4).



(Screws for mainboard mounting)

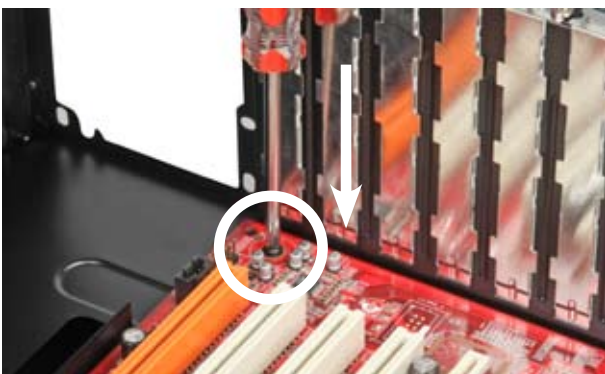


fig. 4

6. Plug the connectors of the case's front bezel to the respective connectors of the mainboard (also refer to your mainboard's manual for further information).

Note:

The eSATA cable connected to the front eSATA connection should not exceed 50 cm of length otherwise transmission errors may occur! With premium quality eSATA cables this maximum length may be exceeded.

5. Installation of a PSU

1. Set up the case in front of you and put the PSU from the inside against the PSU bracket on the case's back side (fig. 5).



fig. 5

2. Screw the PSU to the case from the outside (fig. 6).



(Screws for PSU mounting)



fig. 6

6. Installation of a HDD

1. Remove the case's right side panel.
2. Attach the decoupled mounting angles to the HDD from both sides (fig. 7).



(Screws for HDD mounting)



(Decoupled mounting angles)



fig. 7

3. Slide the HDD with attached mounting angles into the case's respective drive bay and screw it from both sides (fig. 8).



fig. 8

4. Connect the HDD to the power supply and the mainboard.

7. Installation of an optical device

1. Remove the case's front panel by gently dragging it towards you (fig. 9).



fig. 9

2. Dismantle the 5.25" front bezel from the mounting bay in which you intend to install the drive by loosening its screws and pushing the bezel to the inside (fig. 10). Remove the quick fasteners (fig. 11).

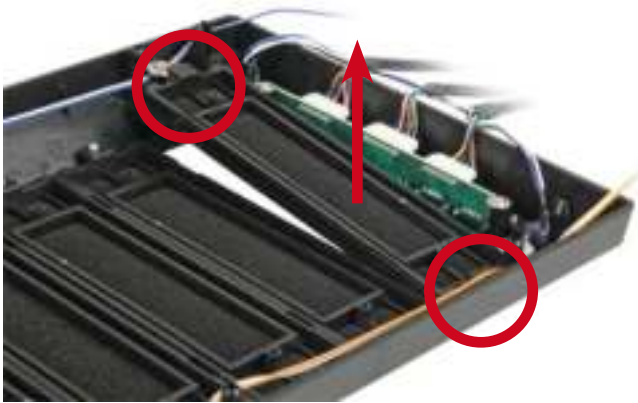


fig. 10

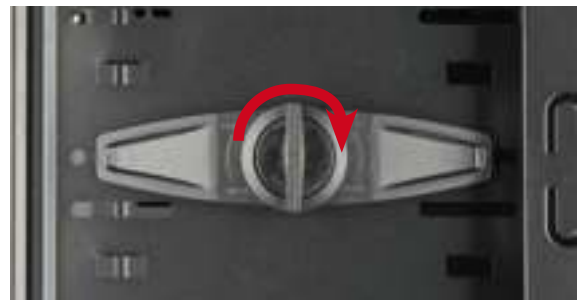


fig. 11

(Carefully take out an optionally present metal bezel covering the 3.5" drive bay by using a gripper.)

3. Slide the optical drive into the case's drive bay (fig. 12).



fig. 12

4. Attach the optical device from both sides using the quick fasteners (fig. 13).

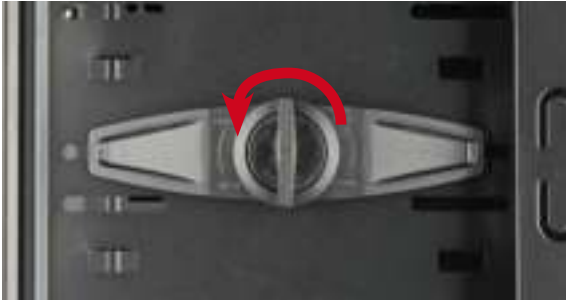


fig. 13

Note:

If you intend to transport the case we recommend securing (additionally) the installed drives:



Screws for 5.25" drive mounting

5. Connect the optical drive to the power supply and the mainboard. (Put the front bezel back onto the case.)

8. Installation of a 3.5" device

- (1. Remove the case's front panel by gently dragging it towards you.)
2. Dismantle the 5.25" front bezel from the mounting bay in which you intend to install the drive by loosening its screws and pushing the bezel to the inside (fig. 14). Remove the quick fasteners (fig. 15).

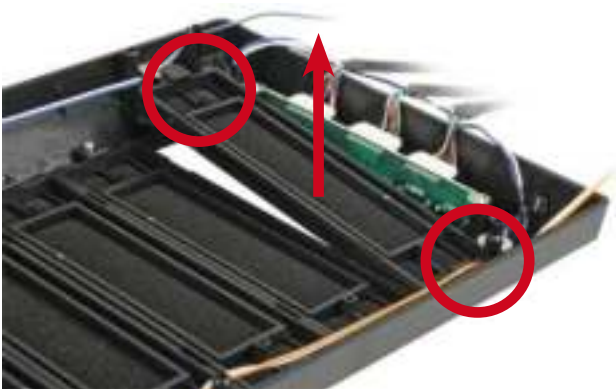


fig. 14

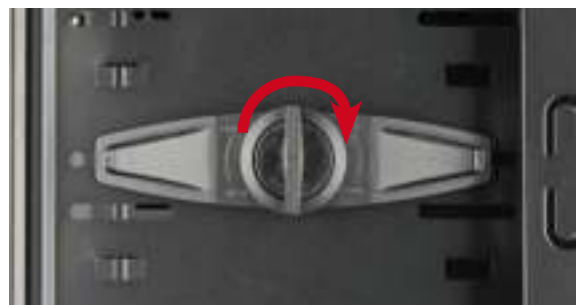


fig. 15

(In case there is a metal bezel covering the drive bay, remove it by using a gripper.)

3. Screw the mounting angles to the 3.5" device from both sides (fig. 16).



fig. 16

4. Slide the 3.5" device with attached mounting rails into the case's drive bay (fig. 17) and screw it to the drive bay from both sides (fig. 18).



fig. 17



fig. 18

5. Connect the 3.5" device to the power supply and the mainboard.

6. Screw the 5.25" bezel with 3.5" opening into the front panel (fig. 19) and place it back onto the case.



5.25" bezel with 3.5" opening

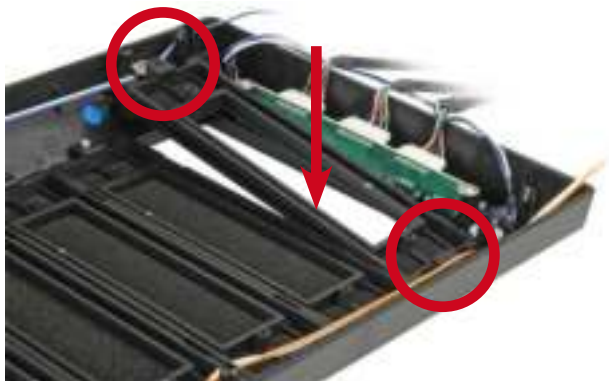


fig. 19

9. Installation of an add-on card

1. Remove the slot bezel's fixation screw and take away the slot bezel (fig. 20).



fig. 20

2. Insert the add-on card into the mainboard's respective slot and fix it to the case by re-attaching the fixation screw (fig. 21).

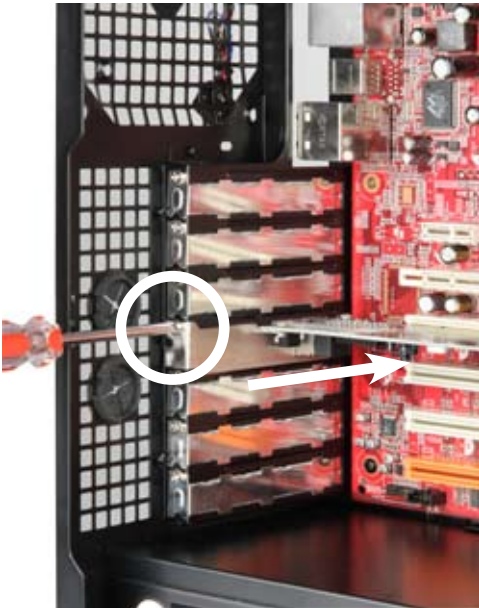


fig. 21

10. The pre-installed fans (Value edition only)

1. The pre-installed 120 mm front fans provide a 4-pin PSU connector and a 3-pin mainboard plug.
2. Connect one of both plugs to either the respective PSU or (to control the fan speed via the mainboard) the matching mainboard connector.

11. Installation of additional fans / optimized airflow

1. Place the fan against the respective bracket from the inside (e.g. in the side panel).
2. Screw the fan to the attachment from the outside.

Note:

While installing fans make sure that (cool) air is taken in on the case's front side/bottom and blown out on its back side/top. The PC components with the highest heat development should be placed directly within the airflow.

Legal disclaimer:

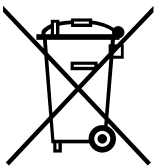
As a continuing policy of product improvement at SHARKOON, the design and specifications are subject to change without prior notice. National product specifications may vary.

All rights reserved especially (also in extracts) for translation, reprinting, reproduction by copying or other technical means. Infringements will lead to compensation.

All rights reserved especially in case of assignation of patent or utility patent. Means of delivery and technical modifications reserved.

Disposal of your old product

Your product is designed and manufactured with high quality materials and components, which can be recycled and reused.



When this crossed-out wheeled bin symbol is attached to a product, it means the product is covered by the European Directive 2002/96/EC.

Please be informed about the local separate collection system for electrical and electronic products.

Please act according to your local rules and do not dispose of your old products with your normal household waste. The correct disposal of your old product will help prevent potential negative consequences to the environment and human health.

© SHARKOON Technologies GmbH 2011
www.sharkoon.com