

SV431DPUA

Instruction Manual

DisplayPort KVM Switch

**4-Port Professional USB,
DisplayPort KVM Switch
with Audio**

StarTech.com 
Making hard-to-find easy!®

FCC Compliance Statement

This equipment has been tested and found to comply with the limits for a Class B digital device, pursuant to part 15 of the FCC Rules. These limits are designed to provide reasonable protection against harmful interference in a residential installation. This equipment generates, uses and can radiate radio frequency energy and, if not installed and used in accordance with the instructions, may cause harmful interference to radio communications. However, there is no guarantee that interference will not occur in a particular installation. If this equipment does cause harmful interference to radio or television reception, which can be determined by turning the equipment off and on, the user is encouraged to try to correct the interference by one or more of the following measures:

- Reorient or relocate the receiving antenna.
- Increase the separation between the equipment and receiver.
- Connect the equipment into an outlet on a circuit different from that to which the receiver is connected.
- Consult the dealer or an experienced radio/TV technician for help.

Use of Trademarks, Registered Trademarks, and other Protected Names and Symbols

This manual may make reference to trademarks, registered trademarks, and other protected names and/or symbols of third-party companies not related in any way to StarTech.com. Where they occur these references are for illustrative purposes only and do not represent an endorsement of a product or service by StarTech.com, or an endorsement of the product(s) to which this manual applies by the third-party company in question. Regardless of any direct acknowledgement elsewhere in the body of this document, StarTech.com hereby acknowledges that all trademarks, registered trademarks, service marks, and other protected names and/or symbols contained in this manual and related documents are the property of their respective holders.

Table of Contents

Introduction	1
Packaging Contents.....	1
System Requirements	1
Installation	1
Hardware Installation.....	2
Front View.....	2
Rear View	2
Driver Installation.....	4
Operation	4
Front Panel	4
HotKey Control	5
Alternative Hotkey Commands	8
Specifications	10
Technical Support	11
Warranty Information	11

Introduction

Packaging Contents

- 1 x SV431DPUA KVM switch
- 1 x Power Adapter
- 1 x Rubber Feet
- 1 x Instruction Manual

System Requirements

- DisplayPort enabled computer system
- USB enabled computer system
- Standard 104-key USB keyboard
- Standard 3-button USB mouse

Installation

NOTE: Prior to the installation, please power off all devices that will be connected to this system.

Ensure that all devices you will connect are properly grounded.

Place cables away from fluorescent lights, air conditioners, and machines that are likely to generate electrical noise.

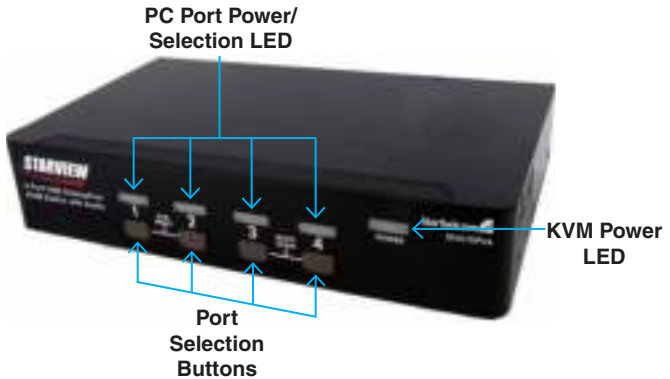
If you experience any problems using a USB KVM switch, the following BIOS setup changes may be necessary for PC users and not necessary for Mac users:

- Set HALT ON ERROR to ALL BUT KEYBOARD.
- In PNP AND PCI SETUP, set PNP OS INSTALLED to YES and set USB IRQ to ENABLED.

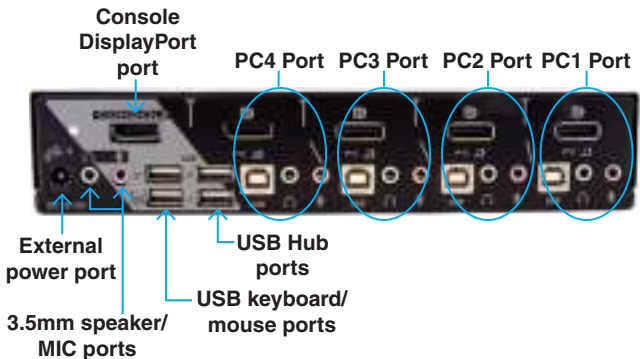
Different systems may use different naming, so contact your system manufacturer for further assistance with these settings.

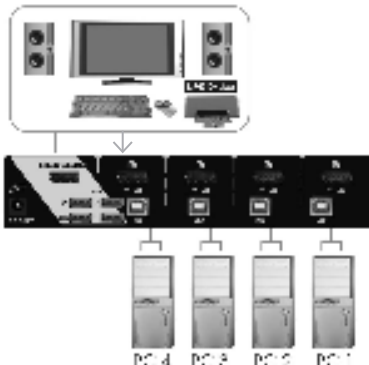
Hardware Installation

Front View



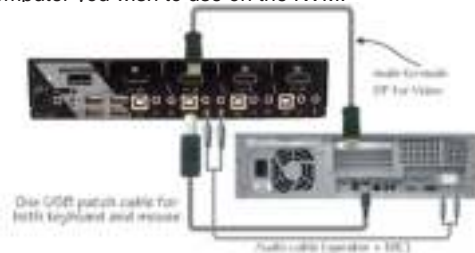
Rear View





*installation pictures are representations only

1. Plug a monitor into the Console's DisplayPort connector; plug a USB keyboard and a USB mouse into the dedicated USB keyboard and mouse ports on the KVM switch.
2. Use a male-to-male DisplayPort video cable to connect the DisplayPort connector on the computer's video card, to one of the KVM's PC ports (i.e. PC1)
3. Use a USB type A-B Cable to connect the KVM's USB port (type B, square connector) for the PC port used in Step 2, and the USB port on the computer (type A, flat connector).
4. Repeat for Steps 2 and 3 for each PC port on the KVM switch, or each computer you wish to use on the KVM.



- 5. OPTIONAL:** Connect any other USB peripherals you wish to share between the connected computers/devices to the extra USB Hub ports on the Console side.
6. Connect the external power adapter from a wall outlet to the power connector on the rear panel of the KVM switch.
7. Power up the first computer/device and wait for it to fully boot and test keyboard/mouse functionality.
8. Once operation has been successfully confirmed, switch to the next port and power up that computer/device and confirm.
9. Once completed for all computers/devices connected to the KVM switch, you should be able to switch between any ports freely.

Driver Installation

No driver installation is required for the KVM switch, as the keyboard and mouse use generic USB keyboard/mouse drivers that are already installed on any operating system that fully supports USB.

Operation

Front Panel

PC Link/Selection LED

The LED turns green when the connected computer is powered-on. The corresponding LED will also illuminate red when that PC port is currently selected.

Port Selection Button

Each push button on the front of the KVM switch corresponds with a PC port. Pressing that button will immediately select that port.

AutoScan

The system automatically scans through the power-on computers in sequence with a fixed interval (see Scan Time below).

To activate AutoScan, press front panel push buttons “3” and “4” simultaneously. The port selection LED will flash during AutoScan. AutoScan will select active computers only. To exit AutoScan mode, just press any one of the front panel push buttons.

Scan Time

Four options are available for users to set the Scan Time duration, it includes 3, 8, 15 and 30 seconds.

Note: Scan Time is set to 3 seconds by default.

To change the Scan Time, press front panel buttons “1” and “2” simultaneously. The unit will respond with beep(s) of 1, 2, 3 or 4 times for a Scan Time of 3, 8, 15 or 30 seconds respectively.

HotKey Control

A Hotkey command is a short keyboard sequence for selecting a computer, activating computer scan, etc. A hotkey sequence starts with two left <CTRL> keystrokes (successively within 0.2 seconds) followed by one or two more keystrokes. A built-in buzzer generates a high-pitch beep for correct hotkey command; otherwise, one low-pitch beep is generated for errors and the bad key sequence will not be forwarded to the selected computer.

NOTE: Press and hold Left <SHIFT> and press <NumLock> twice, then release Shift followed by pressing left <CTRL> once, which will enable / disable the hotkey feature.

To select a computer:

- Left <CTRL> + Left <CTRL> + 1
(Example: Selects the computer at port 1.)
- Left <CTRL> + Left <CTRL> + 2
(Example: Selects the computer at port 2.)

NOTE: Do not use the keypad on the right-side of the keyboard.

Auto Scan

The KVM automatically scans through the powered-on computers in sequence on a fixed time interval (see Scan Time below).

Note: The keyboard and mouse are not operable during Auto Scan.

To start Auto Scan:

Left <CTRL> + Left <CTRL> + F1

To abort the Auto Scan mode, press the left <CTRL> key twice. When Auto Scan detects any keyboard or mouse activity, it suspends the scanning till the activity stops; it then resumes with the next computer in sequence. The length of the Auto Scan interval (Scan Time) is adjustable, see below.

Manual Scan allows users to manually switch back and forth between power-on computers.

Left <CTRL> + Left <CTRL> + F2

To select the previous or the next computer, press <UP> or <DOWN> arrow keys. To abort the Manual Scan, press any other key.

Scan Time

Four options are available for users to set the Scan Time duration, it includes 3, 8, 15 and 30 seconds.

Note: Scan Time is set to 3 seconds by default.

To adjust Scan Rate, set the scan time of duration before switching to the next computer:

Left <CTRL> + Left <CTRL> + F3

The KVM Switch generates 1 to 4 beeps indicating a scan time duration for 3, 8, 15 or 30 seconds respectively.

Audio Stick

There are two options for Audio Stick: ON and OFF. When ON, audio selection follows computer selection. When OFF, the current port's audio is used for all other ports. It is useful if you want to listen to a particular computer's audio signal while operating other computers.

Press Left <CTRL> + Press Left <CTRL> + Press F5

The KVM switch beeps once or twice corresponding to ON and OFF respectively.

To change which port the audio is following to the currently selected port, press the following hotkey:

Press Left <CTRL> + Press Left <CTRL> + Press A

USB-Port Rule

There are two settings for USB-Port Rule: ON or OFF.

When set to 'ON', the USB Hub ports follows computer selection.

When set to 'OFF', the USB Hub ports stays on the currently selected PC port.

USB 1: pressing the hotkey below to turn ON/OFF the USB-Port Rule:

Left <CTRL> + Left <CTRL> + F7

To change the port that the USB hub stays on to the currently selected port, press the following hotkey:

Left <CTRL> + Left <CTRL> + U

NOTE: Please make sure that linking procedure of USB device has been accomplished before switching to the next computer.

Alternative Hotkey Commands

In addition to the Left <CTRL> + Left <CTRL> hotkeys, there are two alternative hotkey sequences available.

1. For the following operations, users may press <ScrollLock> twice instead of pressing left <CTRL> twice.

To select a computer:

<ScrollLock> + <ScrollLock> + 1
(Example: Select the computer at port 1.)

<ScrollLock> + <ScrollLock> + 2
(Example: Select the computer at port 2.)

NOTE: Do not use the keypad at the right of the keyboard.

2. For those keyboards that do not have or support <ScrollLock>, please press and HOLD the Left <SHIFT> and press <NumLock> twice instead of pressing Left <CTRL> twice.

To select a computer:

Hold Left <SHIFT> + Press <NumLock> + Press <NumLock>
then release <SHIFT> + Press 1

Example: Select the computer at port 1.)

Hold Left <SHIFT> + Press <NumLock> + Press <NumLock>
then release <SHIFT> + Press 2

(Example: Select the computer at port 2.)

NOTE: Do not use the keypad at the right of the keyboard.

Specifications

Number of Ports	4
Computer Connectors (per port)	1 x DisplayPort 1 x USB type B 2 x 3.5mm mini-jack
Console Connectors	1 x DisplayPort 4 x USB type A 2 x 3.5mm mini-jack
Maximum Video Resolution	2560x1600@60Hz (higher resolutions may be supported at lower refresh rates)
DDC2B Support	Yes
Audio	Yes
On Screen Display	No
Cascadable	No
Switching Modes	Front Panel Button, Hotkey
Power Adapter	5VDC, 2A, center positive, type N plug
Enclosure Material	Steel
Dimensions (WxHxD)	220.7mm x 44.0mm x 130.6mm
Weight	1100g

Technical Support

StarTech.com's lifetime technical support is an integral part of our commitment to provide industry-leading solutions. If you ever need help with your product, visit www.startech.com/support and access our comprehensive selection of online tools, documentation, and downloads.

Warranty Information

This product is backed by a three year warranty.

In addition, StarTech.com warrants its products against defects in materials and workmanship for the periods noted, following the initial date of purchase. During this period, the products may be returned for repair, or replacement with equivalent products at our discretion. The warranty covers parts and labor costs only. StarTech.com does not warrant its products from defects or damages arising from misuse, abuse, alteration, or normal wear and tear.

Limitation of Liability

In no event shall the liability of StarTech.com Ltd. and StarTech.com USA LLP (or their officers, directors, employees or agents) for any damages (whether direct or indirect, special, punitive, incidental, consequential, or otherwise), loss of profits, loss of business, or any pecuniary loss, arising out of or related to the use of the product exceed the actual price paid for the product. Some states do not allow the exclusion or limitation of incidental or consequential damages. If such laws apply, the limitations or exclusions contained in this statement may not apply to you.



StarTech.com has been making “hard-to-find easy” since 1985, providing high quality solutions to a diverse IT and A/V customer base that spans many channels, including government, education and industrial facilities to name just a few. We offer an unmatched selection of computer parts, cables, A/V products, KVM and Server Management solutions, serving a worldwide market through our locations in the United States, Canada, the United Kingdom and Taiwan.

Visit **www.startech.com** today for complete information about all our products and to access exclusive interactive tools such as the Cable Finder, Parts Finder and the KVM Reference Guide.