



BT7850-100

50MM (2") POLE: LENGTH 1M (39.4")

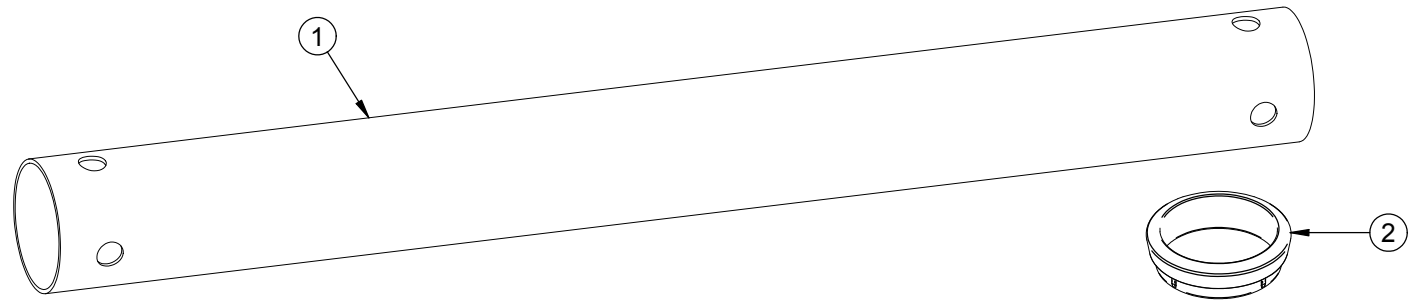
PARTS LIST

This Pack Contains 1 Pole

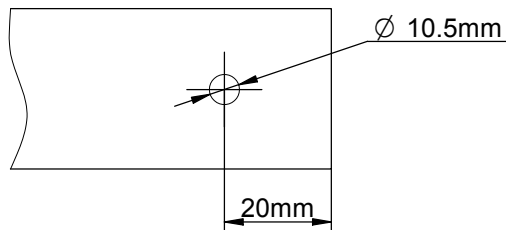
SYSTEM 2™

No	PART NAME	QTY
1	Ø50mm (2") POLE : LENGTH 1m (39.4")	1
2	POLE END RING (BT7057)	1

PLEASE KEEP THIS PARTS LIST
FOR FUTURE REFERENCE



Safety bolt hole size and location



When drilling new holes always ensure they are diametrically opposite each other so that the bolt can pass straight through.

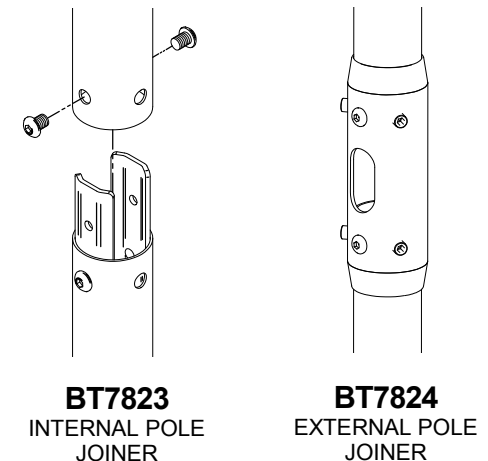
Attention!

Identical safety bolt holes are provided at each end of the pole. Two orientations are provided at 90 degrees to each other so that you can best align your AV equipment with the cable management hole in the ceiling mount or pole joiner.

If poles are cut to length during installation then these holes should be re-drilled at the equipment end, leaving the original holes for use in the ceiling mount. The pole end ring is then used to cover the sawn end and protect your cables from the rough edge while leaving a clean finish.

Safety bolts are included with all 50mm 'System 2' products and **MUST** be set in place before any AV equipment is fitted. It is imperative that a safety bolt is used through all ceiling mounts and pole joiners.

Optional Pole Joiners



BT7823
INTERNAL POLE JOINER

BT7824
EXTERNAL POLE JOINER

HEAD OFFICE

B-Tech International Ltd.
Bennett House, Long March,
Daventry, Northants, NN11 4NR, UK.
Tel: +44 (0)1327 300 787 Fax: +44 (0)1327 706 562
Email: info@btechavmounts.co.uk

EUROPE

B-Tech PRO-AV bvba
Brixtonlaan 32, Zaventem 1930,
Brussels, Belgium.
Tel: +32 (0)2 720 92 71 Fax: +32 (0)2 725 42 15
Email: info@btechproav.com

NORTH AMERICA

B-Tech Audio Video Mounts
203 Eggert Road,
Buffalo, NY 14215, USA.
Tel: (1)800 975 5812 Fax: (1)800 592 2876
Email: info@btechavmounts.com

SINGAPORE

B-Tech AV Mounts PTE Ltd
Ruby Industrial Complex,
Singapore 347740
Tel: (+65) 68412988 Fax: (+65) 6491 5613
Email: info@btechavmounts.com.sg

ASIA PACIFIC

B-Tech International (Hong Kong) Ltd.
1503 Prosperity Millennia Plaza, 663 King's Road,
Quarry Bay, Hong Kong.
Tel: (+852) 2556 7337 Fax: (+852) 2556 7321
Email: info@btechavmounts.com.hk

www.btechavmounts.com

©2010 Bennett Technologies Limited. All rights reserved. B-Tech Audio Video Mounts is a division of Bennett Technologies Limited. B-Tech, Better By Design & Mountlogic are registered trademarks of Bennett Technologies Limited. All other brands and product names are trademarks of their respective owners. Photographs are for illustrative purposes only. E&OE.