

DALI SOUND HUB

MANUAL



IN ADMIRATION OF MUSIC



CONTENS

1.0 Unpacking	3	12.0 Bluetooth Functions	16
2.0 DALI Sound Hub Buttons Overview	4	12.1 Bluetooth Connection Release	16
3.0 DALI Sound Hub Connections Overview	5	12.2 Bluetooth Name	17
4.0 Getting Started	6	12.3 Bluetooth Remote Reconnect	18
5.0 Speaker Pairing	7	13.0 Individual Speaker Volume Adjust	19
5.1 On The Speaker	8	14.0 Factory Reset	20
5.2 Finalizing The Pairing	9	14.1 Light Factory Reset	20
6.0 Connections	10	14.2 Complete Factory Reset	21
7.0 Plug-In Modules	11	15.0 Firmware Update	22
8.0 Volume Control	12	16.0 Cleaning	23
9.0 Mute	13	17.0 Disposal	24
10.0 Auto Sensing / Auto Power On	14		
11.0 Display And LED Dimming	15		



IN ADMIRATION OF MUSIC



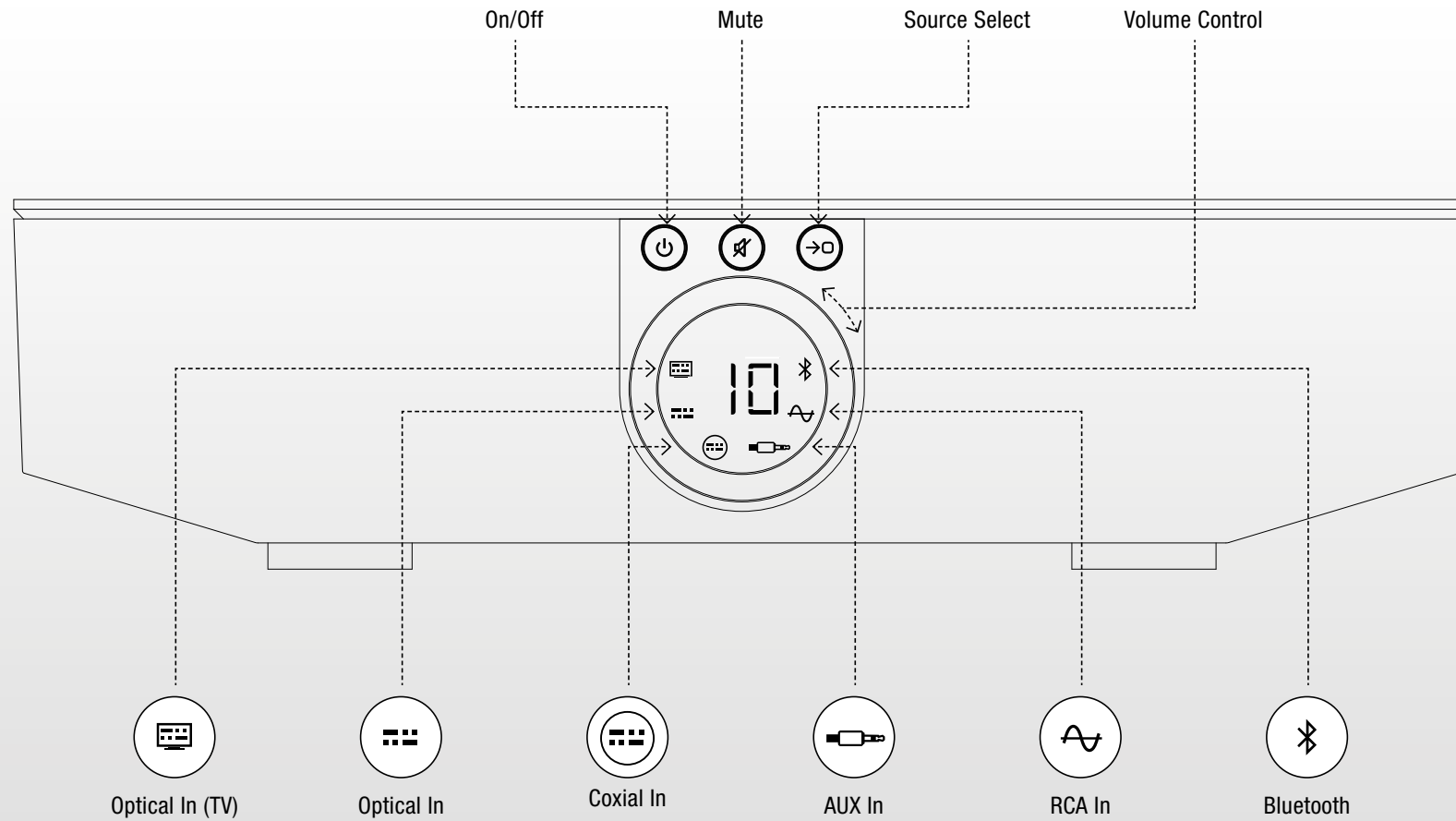
1.0 UNPACKING

Be careful not to damage the contents when unpacking the parts.

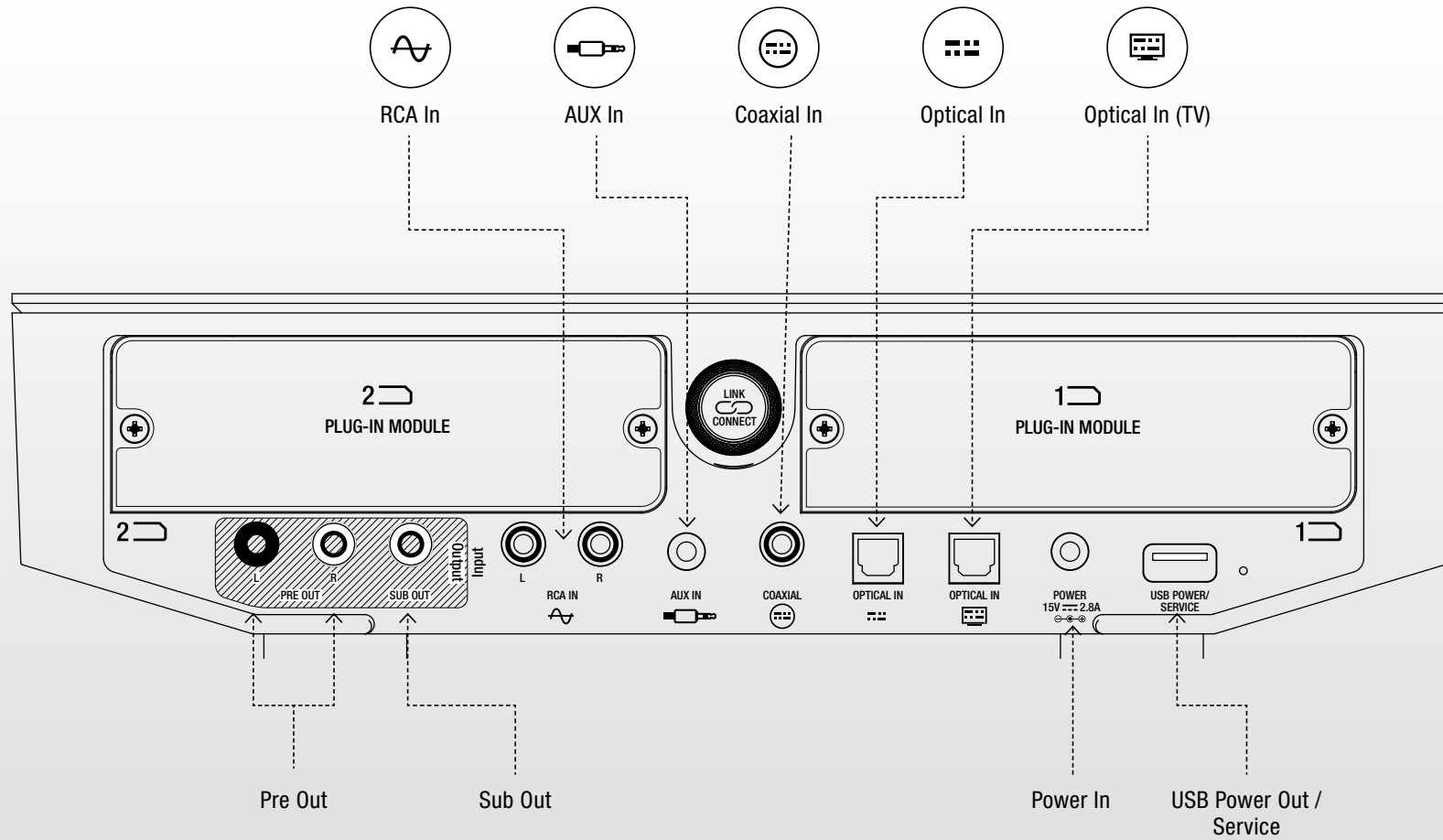
Check that all parts are included in the cardboard box. Keep the packaging materials in case your product needs to be relocated or serviced.



2.0 DALI SOUND HUB BUTTONS OVERVIEW



3.0 DALI SOUND HUB CONNECTIONS OVERVIEW



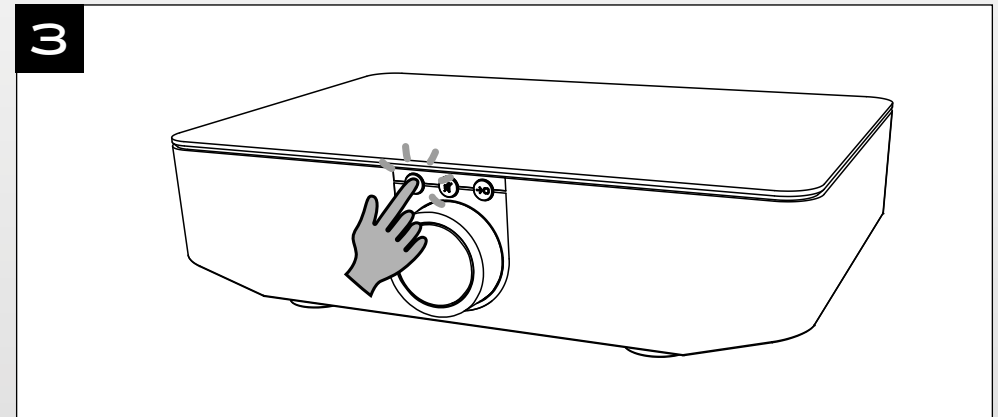
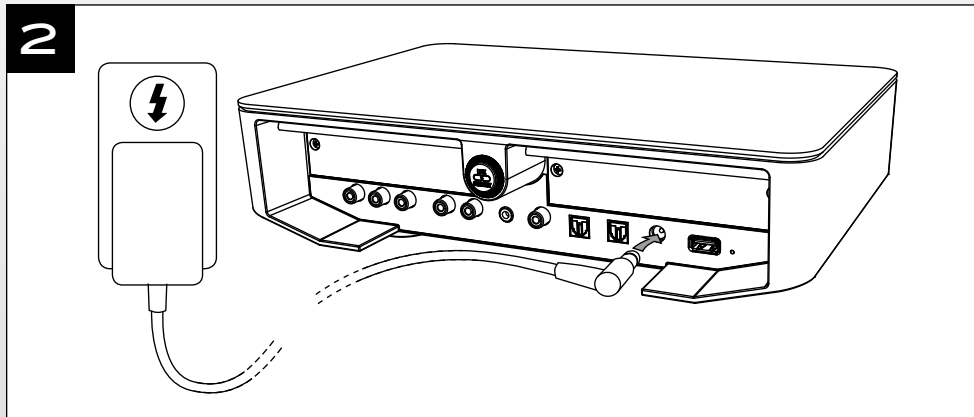
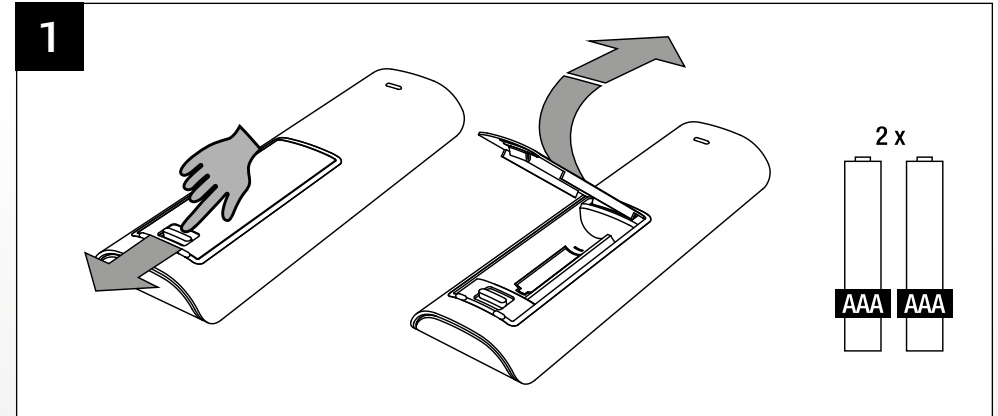
IN ADMIRATION OF MUSIC



4.0 GETTING STARTED

1. Insert the two AAA batteries into the Sound Hub remote control.
2. Assemble the Sound Hub power supply with the matching plug for your country and connect it to the Sound Hub and the wall outlet.
3. Turn on the Sound Hub by pressing the On/Off button on the front of the unit.

Note: The Bluetooth remote control will connect to the Sound Hub within 30 seconds after the Sound Hub is first turned on.



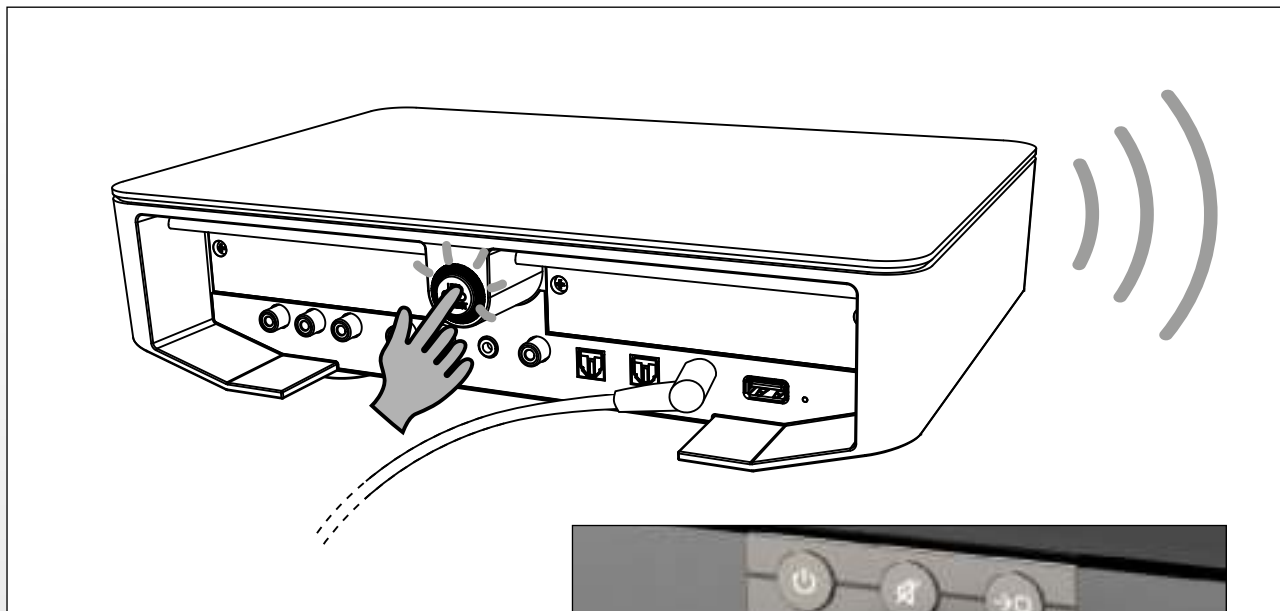
5.0 SPEAKER PAIRING

Make sure the Sound Hub is connected to mains power and is turned on (See 4.0 Getting Started).

Connect the speakers to mains power and turn them on (See speaker manual for further details).

To pair the Sound Hub with compatible speakers, initiate the pairing process by pressing the LINK & CONNECT button on the back of the Sound Hub.

When the Sound Hub is ready to pair with the speakers, the position display on top of the Sound Hub will light up, and the volume display will run in a circle.



5.1 ON THE SPEAKER

Go to the first speaker and press the LINK & CONNECT button on the rear of the speaker.

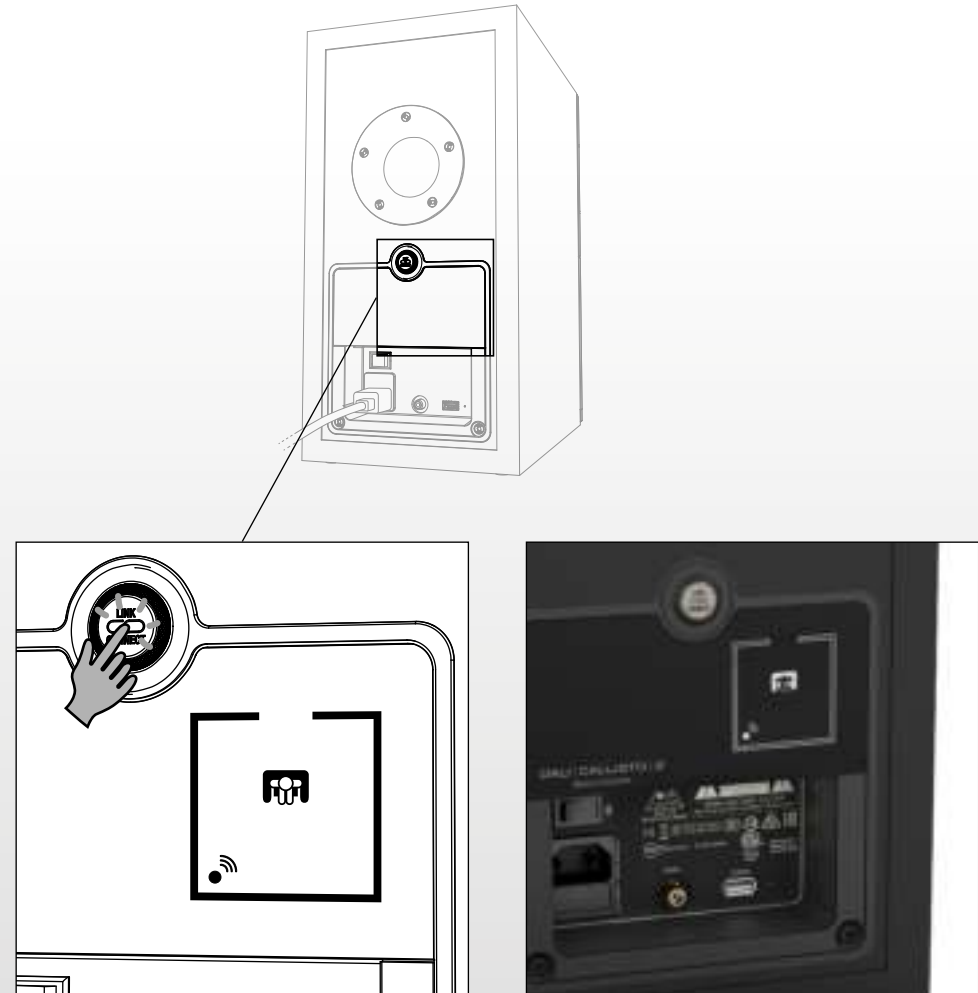
When the speaker has paired up with the Sound Hub it will play a short sound.

The position display on the rear of the speaker, next to the LINK & CONNECT button, will blink indicating that you now can set the speaker position.

Press the LINK & CONNECT button again until the wanted position is marked in the position display on the rear of the speaker. The position changes every time the LINK & CONNECT button is pressed.

When the correct position is shown on the rear position display, move on to the next speaker.

Repeat 5.1 for all speakers that need to be paired with the Sound Hub.



5.2 FINALIZING THE PAIRING

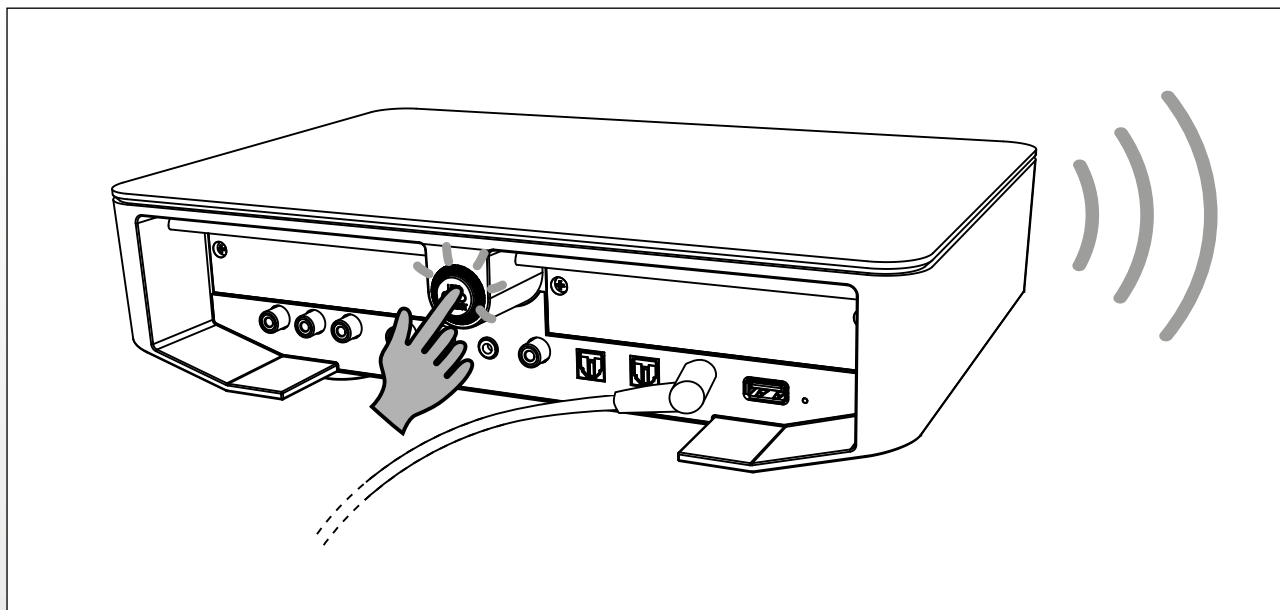
When all speakers are paired, and the wanted positions are selected, return to the Sound Hub and press the LINK & CONNECT button on the rear of the Sound Hub. All paired speakers will then play a short sound.

If a position light on the Sound Hub position display is blinking it indicates that the speaker is not connected or has not been setup correctly.

The position display on the sound hub will turn off and the volume display will again display the current volume.

The speakers are now ready to work with the Sound Hub.

Note: To add additional speakers to the Sound Hub simply repeat steps 5.0 to 5.2.



6.0 CONNECTIONS

The Sound Hub has several connectors all placed on the rear panel of the Sound Hub for wired connections (See 3.0 DALI Sound Hub Connections overview).

Select input by pressing Source Select on the Sound Hub or the Sound Hub remote control until the wanted input is shown in the display.



Bluetooth input. Supports AAC, AptX and AptX HD.
The Bluetooth input must be selected to initiate a new pairing.



RCA In : Analogue RCA stereo input.



AUX In : Analogue mini-jack stereo input.



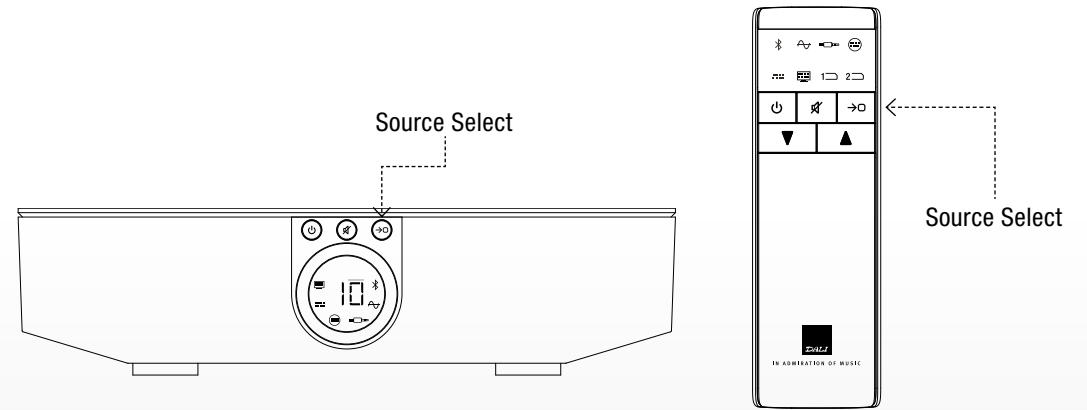
Coaxial In: Digital RCA stereo input (S/PDIF).



Optical In : Digital TOSLINK stereo input. The Auto Sensing on this input makes it optimal for use with music playback devices like CD Players and Streaming devices.



Optical In (TV) : Digital TOSLINK stereo input. The Auto Sensing on this input makes it optimal for use with TV's.



PRE Out : Volume controlled line level output. Can be used if a cabled connection to compatible speakers is necessary, or if the Sound Hub is used as a pre-amplifier.

SUB Out : Subwoofer output. Connect to the LFE input on a subwoofer.

Power In : 15V DC mains input.

USB POWER Out/Service : This USB port serves a dual purpose. It can deliver a standard USB 5V to charge a phone or similar device, or power a Chromecast Audio dongle. It also serves as a USB service port for firmware updates. The USB port cannot be used for music playback.

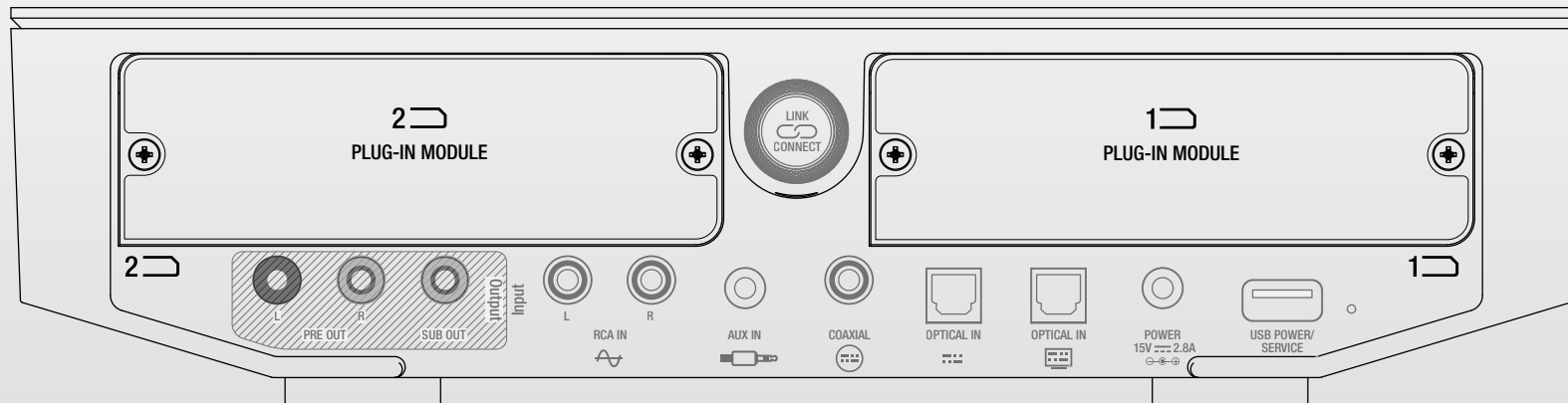
Plug-In Module 1 & 2 : Expansion ports for adding extra functionality to the Sound Hub, like the BluOS NPM-1 module (see 7.0 Plug-in Modules).

7.0 PLUG-IN MODULES

The functionality of the Sound Hub can be expanded by adding one or two Plug-In modules. The modular expansion offers an audio experience fully integrated in the Sound Hub.

To add a Plug-In module:

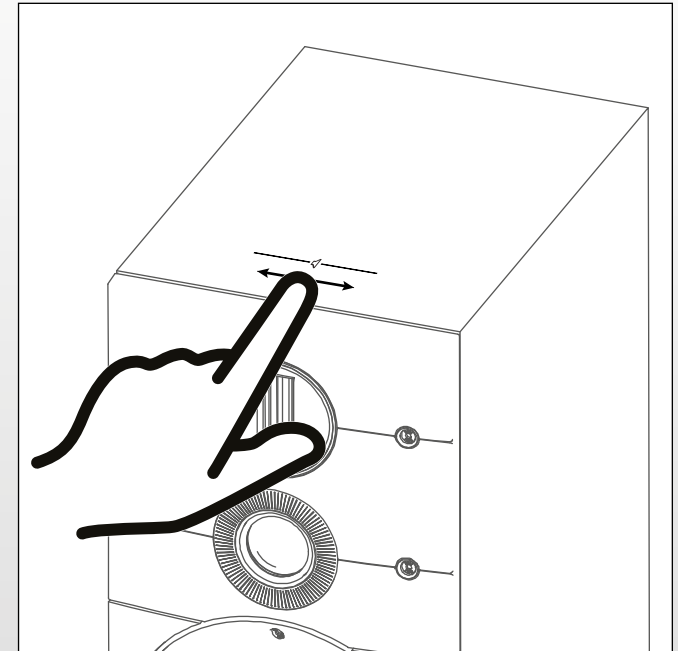
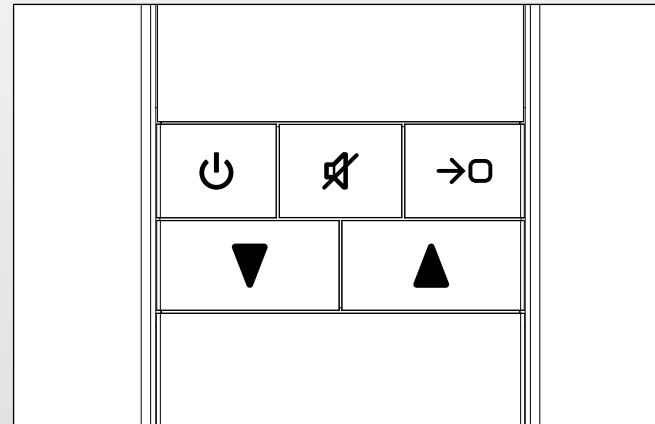
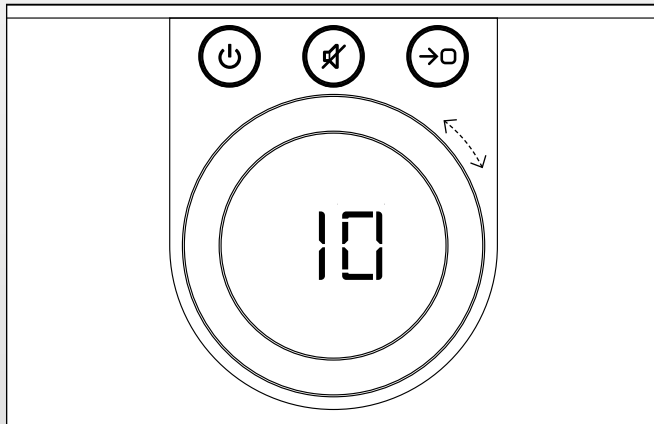
1. Make sure that the mains power is removed from the Sound Hub.
2. Remove the two screws – one on each side of the Plug-In module cover.
3. Remove the cover and carefully insert the Plug-In module until it is flush with the rear of the Sound Hub.
4. Lock the Plug-In module in place by reinserting the two screws, being careful not to over tighten.



8.0 VOLUME CONTROL

The volume of the paired speakers can be controlled in multiple ways.

- Turning the volume control on the front of the Sound Hub.
- Pressing the Volume Up or Volume Down button on the Sound Hub remote control.
- Using the touch sensitive area on the top front of paired compatible speakers. The system volume is adjusted centrally regardless of which speaker the volume is adjusted from.
- Via Bluetooth from compatible devices.
- From inside the app for an installed Plug-In module.



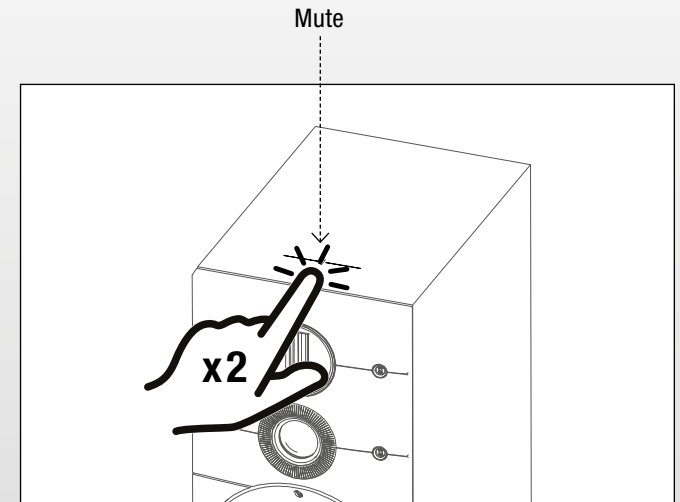
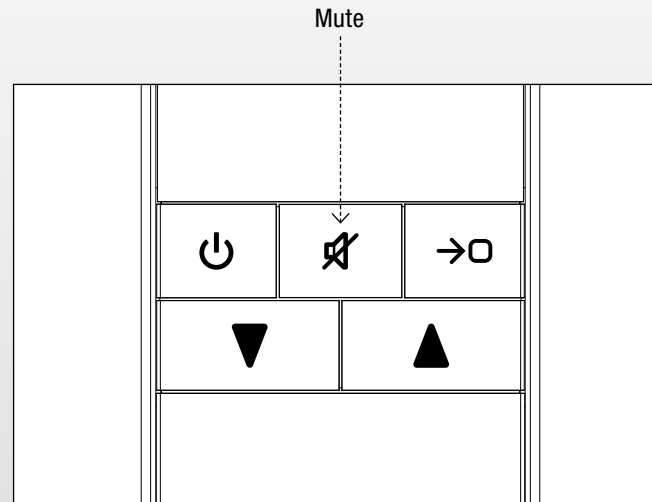
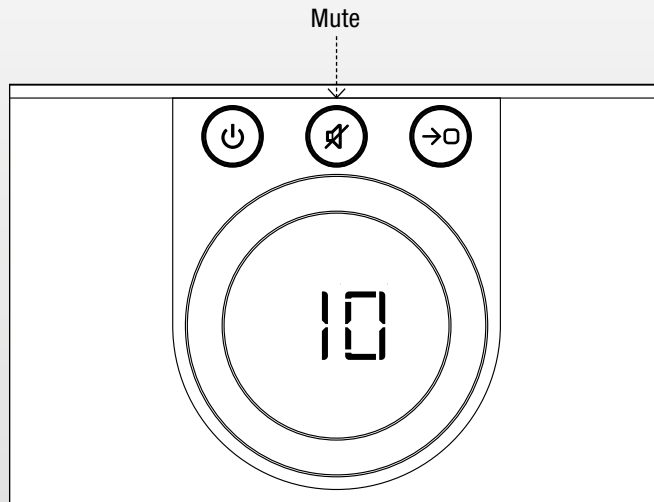
9.0 MUTE

To mute the audio on the paired speakers.

- Press the Mute button on the front of the Sound Hub.
- Press the Mute button on the remote control.
- Double tap the touch sensitive area on the top front of paired compatible speakers.
- Via Bluetooth from compatible devices.
- Via an app for an installed Plug-In module.

Depending on the input selected, Mute will mute the speakers (RCA In, AUX In, Coaxial In, Optical In and Optical In (TV)) or mutes the speakers and pauses playback (Bluetooth and Plug-In modules that support it).

To unmute and resume playback press any Mute function again.



10.0 AUTO SENSING / AUTO POWER ON

All inputs on the Sound Hub have auto sensing and will automatically activate the Sound Hub and paired speakers when a signal is detected. This will turn on the system and activate the correct input, if the system is in standby, or just activate the correct input if the system is already On.

- Bluetooth, RCA In, Coaxial In and Optical In, all activate when an audio signal is detected.
- Optical In (TV) activates when the carrier light in the optical cable is turned on.

Auto sensing does not allow one input to override another input that has an active signal.

Auto sensing will activate an input that has an audio signal if the current input is no longer receiving an audio signal. So, if your CD Player is playing music and you manually select the TV input, the CD Player input could in some situations be auto selected when you turn off your TV. To avoid this, always turn of any playback before manually selecting another input.

The Sound Hub and the speakers will automatically power off after 30 minutes with no audio signal.

Note: The mini-jack (AUX In) connector does not have Auto sensing.

Auto sensing can be deactivated leaving only manual source select:

1. Turn on the Sound Hub.
2. Press and hold the Source Select button on the front of the Sound Hub.
3. Turn the volume control to change the setting.
4. Release the Source Select button to save the new setting.



11.0 DISPLAY AND LED DIMMING

The intensity of the Sound Hub volume display and the volume LED display on paired speakers can be adjusted:

1. Turn on the Sound Hub.
2. Press and hold the On/Off button.
3. Adjust the light level by turning the volume control.
4. Release the On/Off button to save the new setting.

At the lowest light level the volume LED indicator on the speaker is disabled. The volume LED display on the speaker will only light up when the volume is changed.



12.0 BLUETOOTH FUNCTIONS

12.1 BLUETOOTH CONNECTION RELEASE

To release an existing connection between a playback device and the Sound Hub:

1. Press and hold the Mute button till the volume display shows “b_”.
2. Release the Mute button.

Any existing Bluetooth connection is now released, and the Sound Hub is ready for a new Bluetooth pairing.



12.0 BLUETOOTH FUNCTIONS

12.2 BLUETOOTH NAME

The default Bluetooth name is DALI SOUND HUB. It can be changed to DALI SOUND HUB 1 up to DALI SOUND HUB 9. To change the Bluetooth name of the Sound Hub, if more Sound Hubs are within Bluetooth range:

1. Turn on the Sound Hub.
2. Press and hold Mute.
3. Adjust the Bluetooth name by turning the volume control.
4. Release the Mute button to save the new setting.

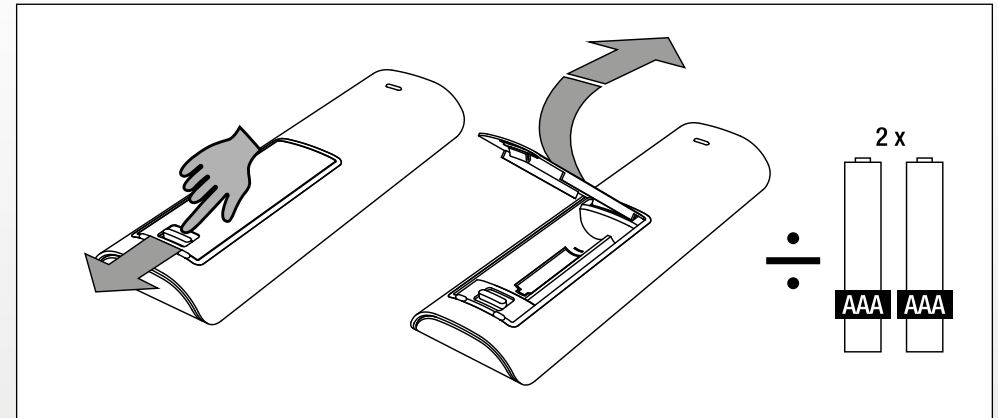


12.0 BLUETOOTH FUNCTIONS

12.3 BLUETOOTH REMOTE RECONNECT

To connect a replacement remote control to the Sound Hub:

1. Ensure that the batteries are not inserted into the remote control.
2. Perform a complete factory reset on the Sound Hub (See 14.2).
3. Insert the batteries into the remote control.
4. After around 30 seconds the Sound Hub and the remote control will link up and be ready for use.



13.0 INDIVIDUAL SPEAKER VOLUME ADJUST

It is possible to individually adjust the volume level of one or more speakers in the system. This will lower or increase the volume on this one speaker in comparison to the other speakers. To adjust the individual volume:

1. Turn on the Sound Hub.
2. Press and hold both the Mute and Source Select buttons at the same time.
3. When you hear a noise from one speaker, release both buttons.
4. Volume is adjusted for the speaker outputting noise and with the volume LED display turned on.
5. Press the Source Select button to toggle between the speakers.
6. Use the volume control to increase or decrease the volume of the selected speaker.
7. The individual volume is shown on the Sound Hub volume display as -9 to +9 dB.
8. When done, press and hold the Source Select button to save the new settings or the Power button to cancel all changes.



14.0 FACTORY RESET

There are two stages of factory reset:

14.1 LIGHT FACTORY RESET

To return all settings to the factory default without losing the pairing with the speakers and remote control:

1. Turn off the Sound Hub.
2. Press and hold both the Mute and the Source Select buttons.
3. Press the On/Off button.
4. Release the buttons when the volume display shows “— —”.



14.2 COMPLETE FACTORY RESET

To return all settings to the factory default including the pairing with the speakers and remote control:

1. Turn on the Sound Hub.
2. Press the LINK & CONNECT button to enter pairing mode.
3. Press and hold both the Mute and the Source Select buttons.
4. Press the On/Off button.
5. Release the buttons when the volume display shows a figure 8.
6. Then display show 88 then turn off Sound Hub.
7. Wait for about 10 sec.
8. Turn on Sound Hub.



Volume display shows a figure 8



15.0 FIRMWARE UPDATE

If a new firmware for the Sound Hub becomes available:

1. Download the firmware file from the DALI website (see link below).
2. Use the included Windows software to prepare a USB drive with the firmware update.
3. Note that all data on the USB drive will be erased.
4. Remove mains power from Sound Hub.
5. Insert the USB drive into the USB Power Out/Service port on the rear of the Sound Hub.
6. Reconnect the mains power to the Sound Hub and wait for the small LED next to the USB Power Out/Service port to blink green.
7. Remove the USB drive.

All settings and speaker pairings are saved and will not be affected by the firmware update.

To return the USB drive to its previous state, use the Windows software again and select Restore USB.



www.dali-speakers.com/loudspeakers/callisto



16.0 CLEANING

Clean the Sound Hub with a soft, dry cloth. If the product is dirty, wipe with a soft cloth using all-purpose cleaner. Spray the cloth and not the unit.



17.0 DISPOSAL

If you want to dispose of this product, do not mix it with general household waste. There is a separate collection system for used electronic products in accordance with legislation that requires proper treatment, recovery and recycling. Private households in the EU member states, Switzerland, Liechtenstein and Norway may return their used electronic products free of charge to designated collection facilities or to a retailer (if you purchase a similar new one). If you reside in countries not mentioned above, please contact your local authorities for the correct method of disposal. By following this process, you will ensure that your disposed product undergoes the necessary treatment, recovery and recycling and thus prevent potential negative effects on the environment and human health.

