



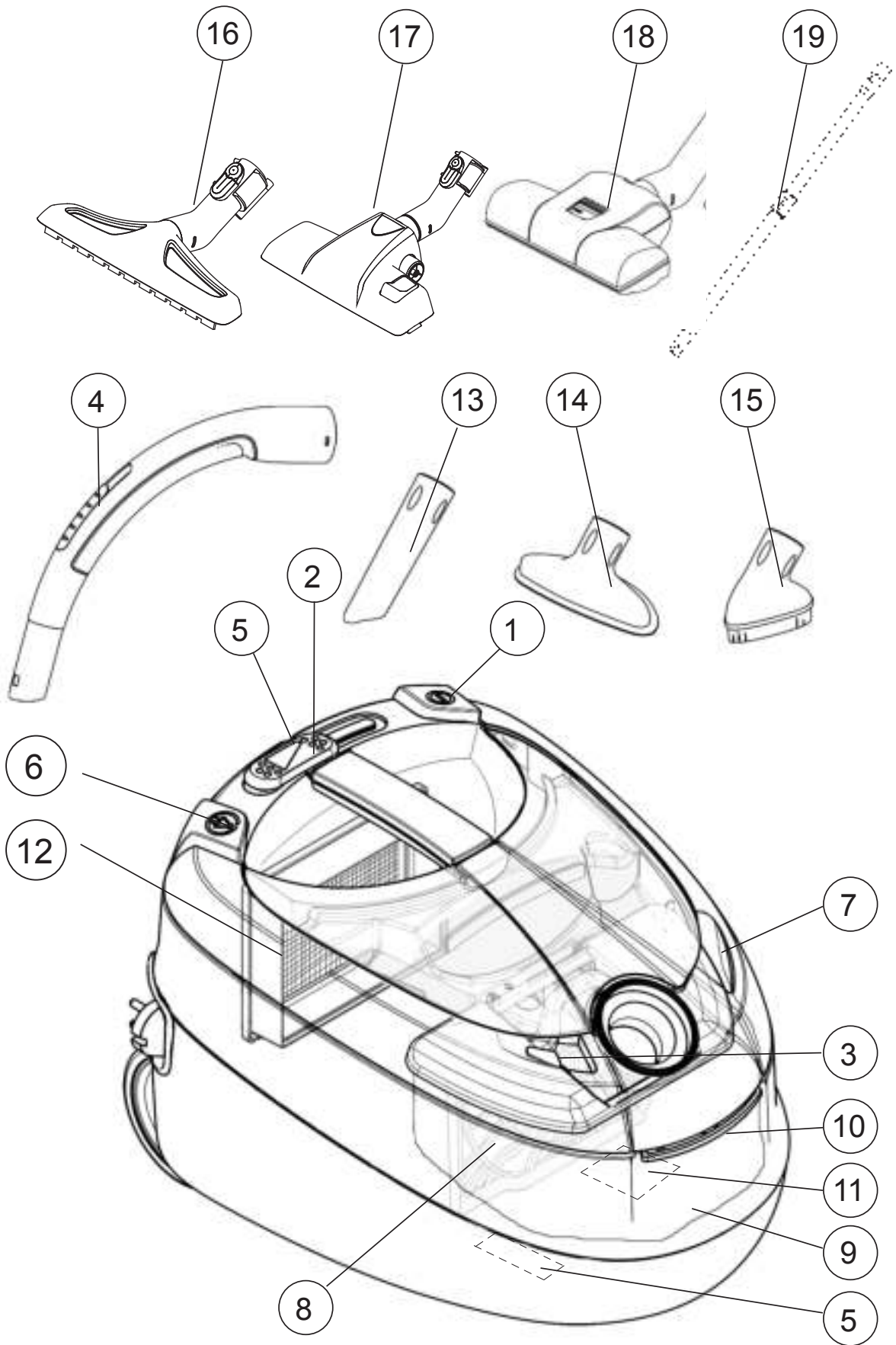
Nilfisk Power

- ⓔⓃ **User Manual**
- ⓓⓔ **Betriebsanleitung**
- ⓕⓚ **Instructions d'utilisation**
- ⓔⓢ **Instrucciones de manejo**
- ⓓⓣ **Instruções de operação**
- ⓔⓣ **Istruzioni sull'uso**
- ⓃⓁ **Gebruiksaanwijzing**
- ⓢⓕ **Driftsinstruks**
- Ⓝⓞ **Driftsvejledning**
- ⓓⓐ **Brugsvejledning**
- ⓕⓙ **Käyttöohje**
- ⓕⓞ **사용 방법**



CE

- EN
- DE
- FR
- ES
- PT
- IT
- NL
- SV
- NO
- DA
- FI
- KO



	Power	
English	4	EN
Deutsch	12	DE
Français	20	FR
Español	28	ES
Português	36	PT
Italiano	44	IT
Nederlands	52	NL
Svenska	60	SV
Norsk	68	NO
Dansk	76	DA
Suomi	84	FI
한국의	92	KO
Illustrations	102,103	

EN

DE

FR

ES

PT

IT

NL

SV

NO

DA

FI

KO

Welcome!

Thank you for choosing a
Nilfisk vacuum cleaner.

Overview

(inside front cover, page A)

- 1 On/off button
- 2 Suction control
- 3 Dust bag indicator
- 4 Suction valve
- 5 Parking bracket
- 6 Cable rewinder
- 7 Open/close button, accessory lid
- 8 Prefilter
- 9 Dust bag
- 10 Open/close button, dust container
- 11 Rating plate
- 12 HEPA filter
- 13 Crevice nozzle
- 14 Upholstery nozzle
- 15 Brush nozzle
- 16 Hard floor nozzle (not standard on all models)
- 17 Combination nozzle
- 18 Turbo nozzle (not standard on all models)
- 19 Telescopic tube

Table of contents, page reference

Overview	A+4
Safety instructions	5
Instructions for use	6
Cleaning tips	9
Trouble shooting	10
Service and maintenance etc.	10
Guarantee and service	11
Line drawings	102, 103

B = caption
(drawings inside the back
cover pages 102 and 103)

Specifications and details are subject
to change without prior notice.


Safety instructions

- Do not use the machine without dust bag and all filters properly fitted.
- This machine is not intended for suction of hazardous materials or gas, doing so may expose people to serious health risks.
- The machine must not be used for suction of water or other liquids.
- Do not pick up sharp objects such as needles or pieces of glass.
- Do not pick up anything that is burning or smoking such as cigarettes, matches or hot ashes.
- Use and store this machine indoors and in a dry environment, 0 °C to 50 °C.
- Do not use the machine outdoors or on wet surfaces.
- Do not handle the machine with wet hands.
- Turn off the machine before unplugging.
- To unplug, grasp the plug, not by pulling on the cord. Do not carry or pull the machine by the cord.
- The machine must not be used if the cord shows any sign of damage. Regularly inspect the cord for damage, in particular if it has been crushed, shut in a door or run over.
- Do not use the machine if it appears faulty. Have the machine inspected by an authorized service center if the machine has been dropped, damaged, left outdoors or has been exposed to water.
- No changes or modifications to the mechanical or electrical safety devices should be made.
- All repair must be carried out by an authorized service center.
- Use only original dust bags, original filters and original accessories from your local dealer. Use of unauthorized dust bags and filters will void the warranty.
- Turn off the machine and unplug before starting dust bag or filter

change, grasp the plug, not by pulling on the cord.

- Do not use the machine as a toy. Do not leave children with the machine without supervision.
- This appliance is not intended for use by young persons or infirm persons without supervision unless they have been adequately supervised by a responsible person to ensure that they can use the appliance safely. Young children should be supervised to ensure that they do not play with the appliance.
- If the supply cord cord is damaged, it must be replaced by the manufacturer, its service agent or similarly qualified persons in order to avoid hazard.
- This appliance conforms with Directives 2004/108/EC, 2006/95/EC, 93/68/EC.



The symbol  on the product or on its packing indicates that this product may not be treated as household waste. Instead it shall be handed over to the applicable collection point for the recycling of electrical and electronic equipment. By ensuring this product is disposed of correctly, you will help prevent potential negative consequences for the environment and human health, which could otherwise be caused by inappropriate waste handling of this product. For more detailed information about recycling of this product, please contact your local city office, your household waste disposal service or the shop where you purchased the product.

EN

DE

FR

ES

PT

IT

NL

SV

NO

DA

FI

KO

EN

DE

FR

ES

PT

IT

NL

SV

NO

DA

FI

KO

Instructions for use

Before using the machine make sure that the voltage shown on the rating plate corresponds with the mains voltage.

The machine is supplied with dustbag, prefilter and exhaust filter.

Start and stop

Start

Pull out the cord and plug the machine into a wall socket. Start the vacuum cleaner using the start/stop button on top of the vacuum cleaner.

Stop

Turn off the machine using the start/stop button. Unplug by grasping the plug, not by pulling on the cord.

A

Connecting hose, tube and nozzles

1. Insert the hose connector into the suction inlet and press until the hose engages with a click.
2. Connect the bent tube to the tube and turn it until they engage with a click.
3. Connect the tube and nozzle and twist until they engage with a click.
4. The tube is telescopic and can be adjusted to your height. Push the button in the middle of the tube to release the length adjustment lock. Adjust the tube to desired length.

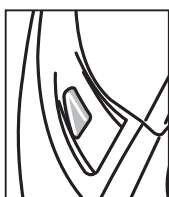
Disconnect hose, tube and nozzle

- Disengage the nozzle from the tube by pressing the button.
- Disengage the hose from the tube by pressing the button.
- Release the hose connection from the suction inlet by pressing the locking mechanism and remove.

Change of dust bag and filters

The size and quality of the dust bag and filters affect the efficiency of the vacuum cleaner. Use of non-original dust bags or non-original filters can cause restricted air flow which may lead to machine overload. Use of accessories other than Nilfisk original dust bags and Nilfisk original filters will void the guarantee.

B Changing the dust bag



The fill level indicator of dust bag. When indicator is completely red the dust bag must be changed in order to prevent motor damage.

Always use original dust bags from Nilfisk.

1. Release the hose connection from the suction inlet by pressing the locking mechanism and then remove it.
2. Open the lid to the dust container by lifting the opening button in front of/under the suction inlet.
3. Grip the handle of the dust bag holder and remove the holder and the full dust bag from the dust container.
4. Seal the dust bag by pulling the cardboard flap.
5. Remove the full dust bag from the dust bag holder.
6. Insert the new dust bag by guiding the cardboard into the slots of the bag holder.
7. Insert the dust bag holder with new dust bag into the dust bag container. Check that the dust bag is fully opened in the dust container.
8. Close the lid of the dust container.
9. Insert the hose connection into the suction inlet and press until the hose engages with a click.

C Changing the prefilter

The prefilter protects the motor by absorbing micro-particles that aren't captured by the dust bag. Change the prefilter with every fourth dust bag. The prefilter is located behind the dust bag. Always use original filters from Nilfisk.

1. Release the hose connection from the suction inlet by pressing the locking mechanism and then remove it.
2. Open the lid to the dust container by lifting the opening button in front of/under the suction inlet.
3. Grip the handle of the dust bag holder and remove the holder and the full dust bag from the dust container.
4. Seal the dust bag by pulling the cardboard flap.
5. Take out the filter holder with prefilter.
6. Open the filter holder.
7. Remove the used prefilter.
8. Fit the new prefilter and close the filter holder. Check that the prefilter is correctly fitted in the holder.
9. Place the filter holder in position and press into place.
10. Insert the dust bag holder with new dust bag into the dust bag container. Check that the dust bag is fully opened in the dust container.
11. Close the lid of the dust container.
12. Insert the hose connection into the suction inlet and press until the hose engages with a click.

EN

DE

FR

ES

PT

IT

NL

SV

NO

DA

FI

KO

EN

D Changing the exhaust filter

The exhaust filter is on some variants of HEPA type (High Efficiency Particulate Air filter) model. The filter cleans exhaust air from micro particles that are not captured by the vacuum bag and prefilter. The HEPA filter or the exhaust filter can not be brushed or washed clean. Change the filter at least once per year. Always use original HEPA filters and exhaust filters from Nilfisk.

1. Release the lid on the back of the vacuum cleaner. This is done by pressing the locking button upwards. Remove the lid from the machine.
2. Remove the used HEPA filter.
3. Insert the new HEPA filter.
Do not touch the surface of the filter. Handle using the plastic frame that surrounds the filter. Check that the HEPA filter is installed correctly.
4. Replace the lid on the machine. This is done by inserting the flaps on the top of the lid in the corresponding notches on the machine.
5. Then press the lower edge of the lid so the lock closes the lid.

Washable HEPA filter

Some models have washable HEPA filter.

Rinse the inside of the filter using lukewarm tap water. Do not use any cleaning agents and avoid touching the filter surface. Tap the filter frame to remove the water.

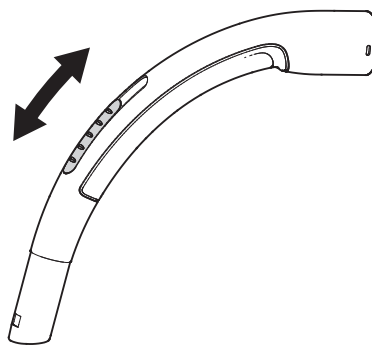
Do not use an external heat source, e.g. a radiator or direct sunlight to dry the filter.

Make sure to let the filter dry before putting it back into the vacuum cleaner.

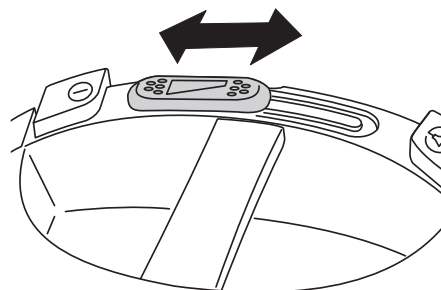
E

Adjust the suction power

Suction power is controlled using the sliding valve on the hose handle. Suction power is maximal when the sliding valve is closed and minimal when open. Adjust the suction power by moving the sliding valve in appropriate position.



Suction power is also adjusted using the slide control on top of the vacuum cleaner. The symbol on the control indicates the direction for maximum and minimum suction power.



F Parking the tube and nozzle

There are two grooves for parking. One located on the underside to use when machine stands on the back, and the other on the back to use when the machine is standing on its wheels.

Thermal fuse

The vacuum cleaner is fitted with a thermal fuse, which prevents it from overheating. If the thermal fuse blows, the vacuum cleaner stops and must cool down before it can be started again.

Restart

1. Turn off the machine and unplug from the wall socket.
2. Check that nothing blocks the air flow through bent tube, hose, tube, nozzle, dust bag or filters.
3. Let the machine cool down, for at least 5-10 minutes.
4. Plug in the machine again and start using the start/stop button.

The machine will not start until it is sufficiently cool. If the machine does not start turn it off using the start/stop button and unplug. Try again in a while.

WARNING

When activating the automatic cord rewind, care must be taken as the plug at the end of the cord can swing during the last part of the rewinding. It is recommended that you hold on to the plug while rewinding.

Cleaning tips

Adjust the suction power by means of the slide control on top of the vacuum cleaner or the sliding valve on the hose handle.

G Crevice nozzle

Use the crevice nozzle for narrow spaces.

H Upholstery nozzle

Use the upholstery nozzle for upholstered furniture.

I Brush nozzle

Use the brush nozzle for curtains and window sills.

J Hard floor nozzle

Use the nozzle for hard floors.

K Combination nozzle

Adjust the combination nozzle depending on type of floor.

L Turbo nozzle

Use the turbo nozzle for efficient carpet cleaning.

The different models of these vacuum cleaners can include different nozzles.

EN

DE

FR

ES

PT

IT

NL

SV

NO

DA

FI

KO

EN

DE

FR

ES

PT

IT

NL

SV

NO

DA

FI

KO

Trouble shooting

Repair and service of your cleaner, must only be carried out by an authorized service center.

If the machine does not start	Check that the plug is correctly fitted to the wall socket.
	A fuse in the building may have blown and need to be changed.
	The cord or plug may be damaged and must be repaired by an authorized service center.
	If non of the above actions will apply - leave your cleaner to an authorized service center.
Reduced suction power	The dust bag may be full and needs to be changed, see instructions.
	The prefilter or HEPA filter may be blocked and have to be changed, see instructions.
	The hose handle, hose, tube or nozzle may be blocked and needs to be cleaned.
If the machine stops	The thermal fuse may have blown, see instructions.

Service and maintenance

- Store the machine in a dry environment.
- Change the prefilter with every fourth dust bag. The dust bag package includes four dust bags and one prefilter.
- Clean the machine surface with a dry cloth or a damp cloth with a little dishwashing liquid.
- Original accessories are available from a local dealer.
- Service – contact your local dealer.

Recycling and disposal

Recycle packing and dispose of the machine as recommended by your local authority. Cut the cable close to the machine to prevent injury or use of the defective/disposed machine.

Environmental commitment

This machine is designed in an environmentally conscious manner. All plastic parts is marked for recycling.

Responsibility

Nilfisk disclaim all responsibility for all damage caused by incorrect use or modification of the machine.

Information

For more information see www.nilfisk.com

Guarantee

The warranty can vary between different countries. Contact your local dealer for information.

Guarantee and service

This Nilfisk Series vacuum cleaner is covered by a five (5) year guarantee on the machine, which covers the motor, cable rewinder, switch and casing. The nozzles, filters, hoses, tubes and other accessories are covered twelve months due to

manufacturing fault only and excludes wear and tear.

The guarantee includes spare parts and labour costs, and covers manufacturing and material defects that may occur during normal domestic use.

Service under the guarantee will only be performed if it can be proven that the defect occurred within the product's guarantee period (a correctly completed guarantee certificate or printed/stamped cash register receipt with date and product type) and on the condition that the vacuum cleaner was bought as a new product and distributed by Nilfisk-Advance.

In the event of the repair of defects, the customer must contact Nilfisk-Advance to be directed to a service agent at the customer's own expense. Upon completion of any repairs necessary, the vacuum cleaner will be returned to the customer at the risk and expense of Nilfisk-Advance.

The guarantee does not cover:

- Normal wear and tear of accessories and filters.
- Defects or damage occurring as a direct or indirect result of incorrect use - such as the vacuuming of rubble, hot ashes or carpet deodorant powder.
- Abuse, loss or lack of maintenance as described in Instructions for use.
- Plaster dust.
- Saw dust.
- Water.
- Should not be used for home renovations.

Nor will it cover incorrect or poor configuration, i.e. setting up or connection, nor fire-damage, fire, lightning strike or unusual voltage fluctuations or any other electrical disturbances such as defective fuses or defective electrical installations on the supply grid, and defects or damage in general that Nilfisk-Advance consider to be the result of causes other than manufacturing and

material defects.

The guarantee becomes void:

- If a defect is caused by the use of non-original Nilfisk dust bags and filters.
- If the identity number (serial number) is removed from the vacuum cleaner.
- If the vacuum cleaner has been repaired by a non-Nilfisk authorized dealer.
- If the machine is used in a commercial environment, i.e. building contractors, cleaning contractors, professional trades or any other non-domestic usage.

The guarantee is valid in:

Denmark, Sweden, Norway, Great Britain, Ireland, Belgium, Holland, France, Germany, Poland, Russia, Austria, Switzerland, Spain, Portugal, Australia and New Zealand, Estonia, Latvia, Lithuania, Hungary, Greece, Slovenia, Slovakia, the Czech Republic, Italy and Finland.

Addendum Australia:

Our goods come with guarantees that cannot be excluded under the Australian Consumer Law. You are entitled to a replacement or refund for a major failure and for compensation for any other reasonably foreseeable loss or damage. You are also entitled to have the goods repaired or replaced if the goods fail to be of acceptable quality and the failure does not amount to a major failure.

Nilfisk vacuum cleaners for domestic use are warranted for 2 years from the date of purchase by:

Nilfisk-Advance Pty Ltd
Unit 1/13 Bessemer Street
Blacktown NSW 2148
Phone: 1300 556 710
E-mail: sales@nilfisk.com.au

Find your local service agent here:
<http://www.nilfisk.com.au>.

The benefits under this warranty are in addition to your national law of sale.

EN

DE

FR

ES

PT

IT

NL

SV

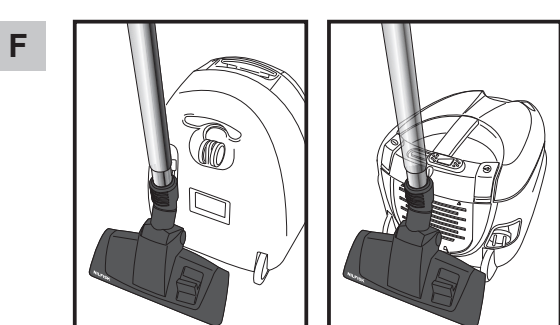
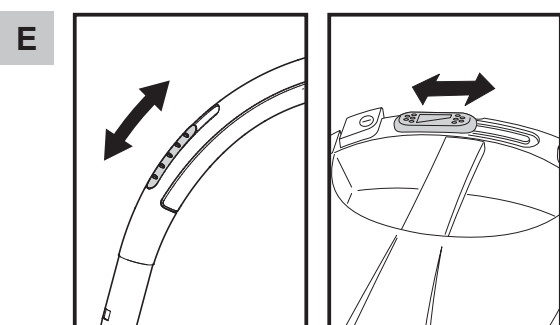
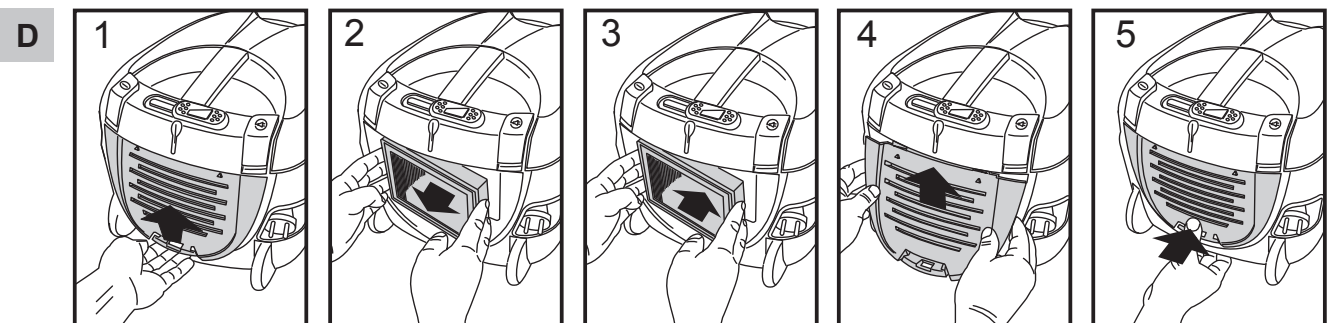
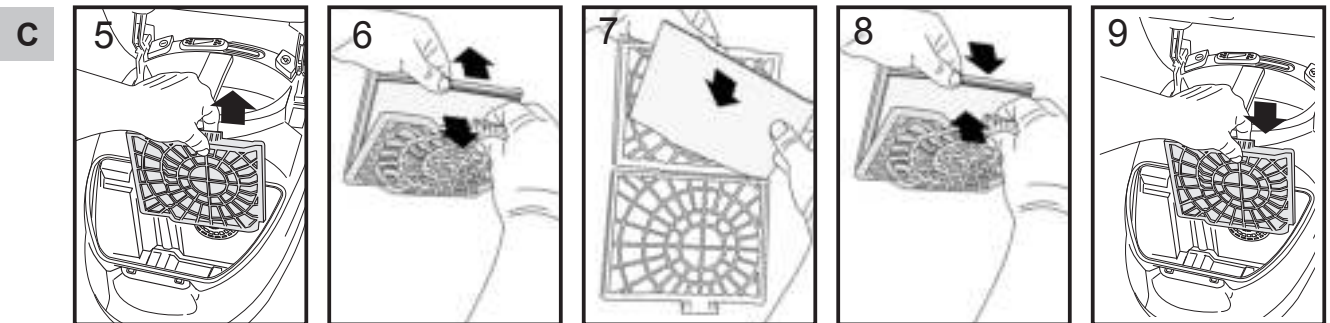
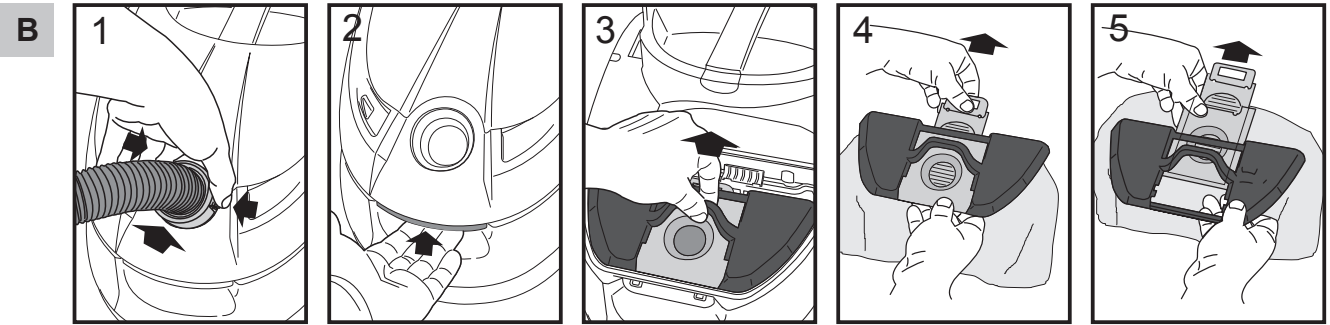
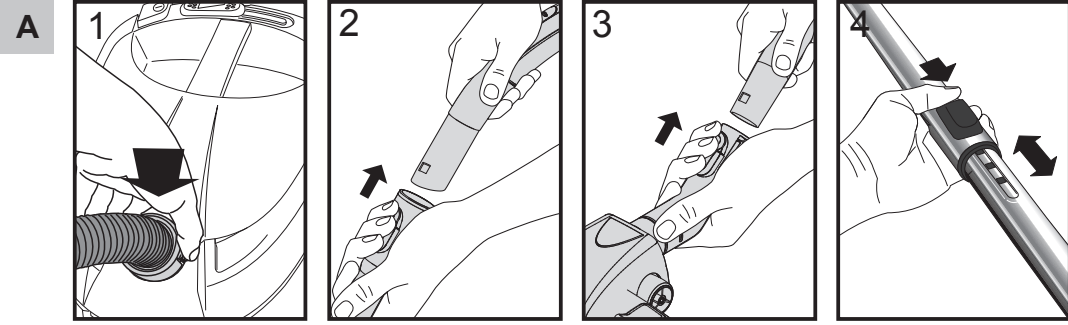
NO

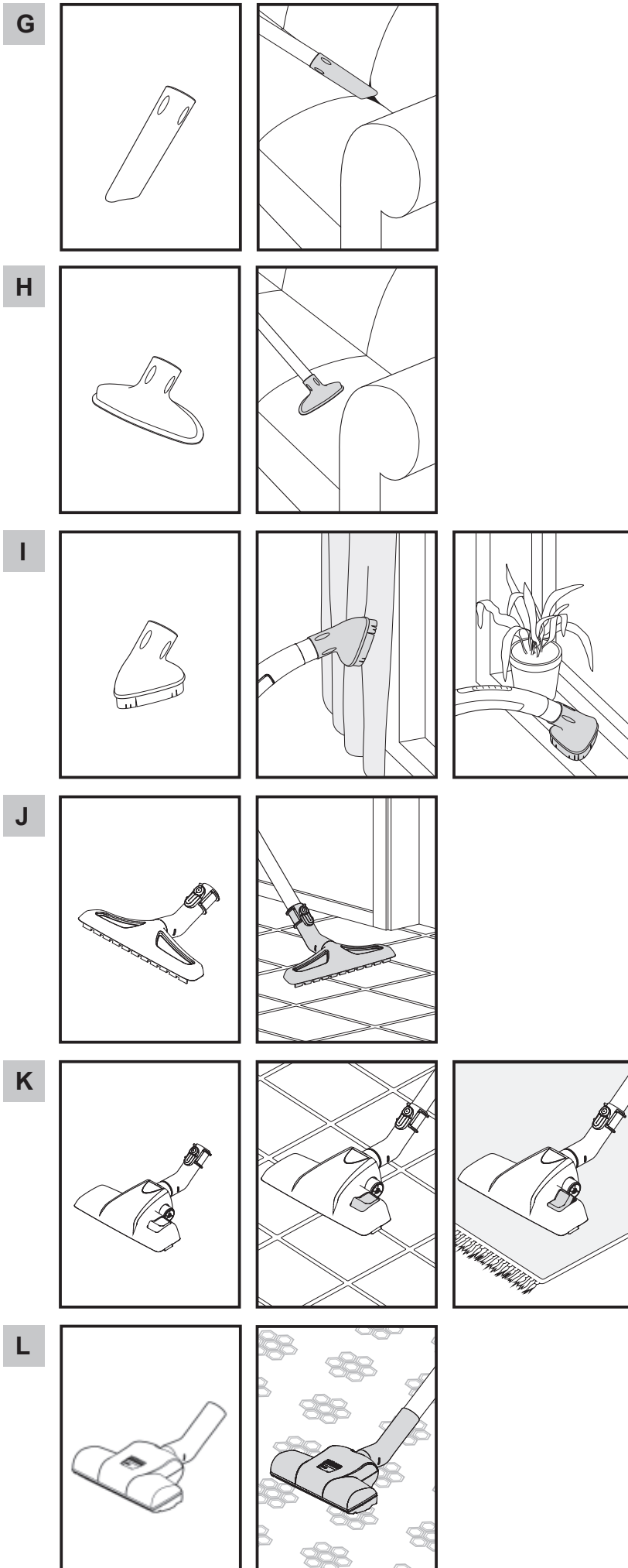
DA

FI

KO

Power





Nilfisk. Performance and durability since 1906

