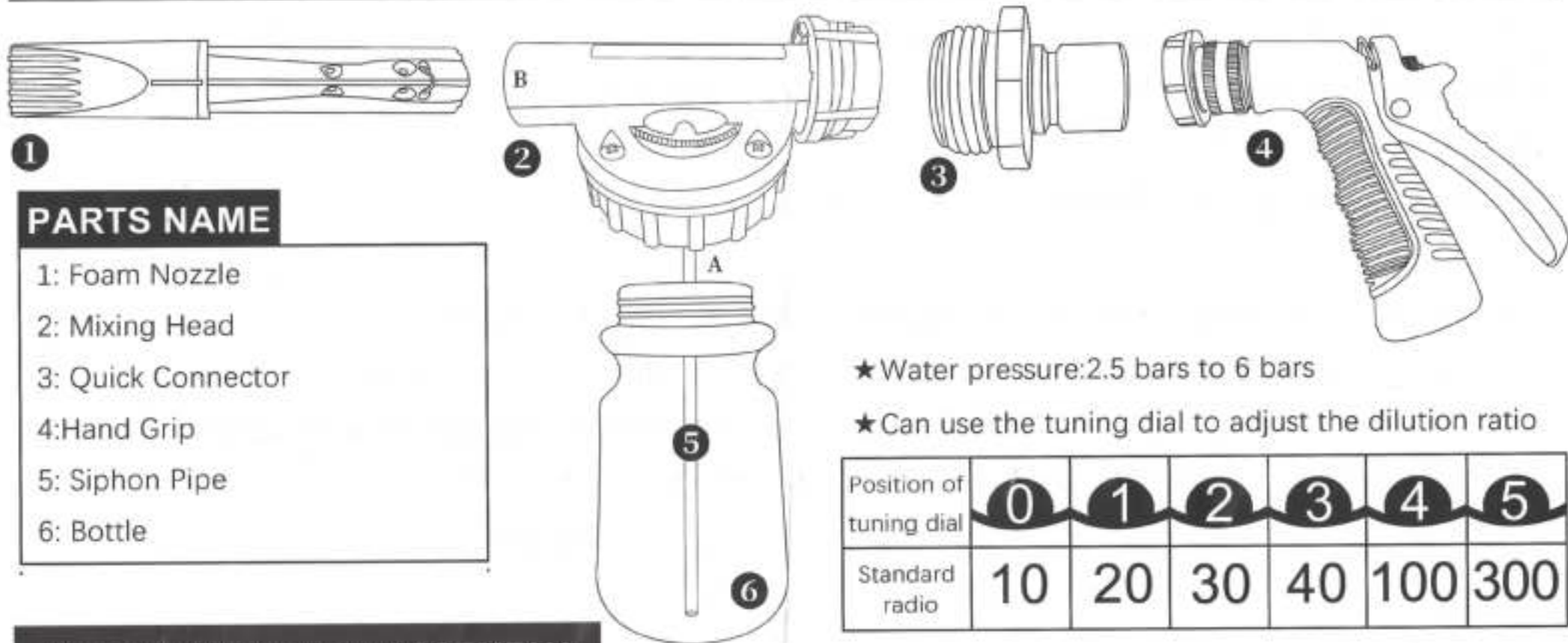


CAR FOAM GUN



PARTS NAME

- 1: Foam Nozzle
- 2: Mixing Head
- 3: Quick Connector
- 4: Hand Grip
- 5: Siphon Pipe
- 6: Bottle

★ Water pressure: 2.5 bars to 6 bars

★ Can use the tuning dial to adjust the dilution ratio

INSTRUCTIONS FOR ASSEMBLY:

1. Connect the siphon pipe (5) to the bottom of the screw-on top of the mixing head (2).
2. Install the foam nozzle (1) into the mixing head (2).
3. Screw on the quick-release connector (3) to the opposite end of the mixing head (2).
4. Connect the hand grip (4) to the quick-release connector (3).
5. Fill the reservoir (6) with water THEN desired amount of soap. Connect bottle to the mixing head by screwing it on (2).