




Bolt Electronics- 1011-A-Led-Dimfunctie-Verlichting

Model	CCT (K)	W	T _A	EEL			
1011-A	3000 K	1.6 W	-25°C – +35°C -4 °F – +95 °F	A++	Lx35mm	>Lx45	DC12V

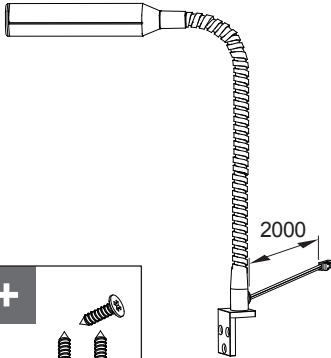
Model	Input Voltage	Output Voltage	Output Current	IP	Color	Dimensions (mm)
BE02	200-220V AC,50HZ	DC12V	1.66A	IP20	Black	111x45x15

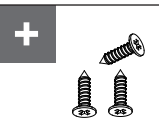
+

Product Structure

.mm


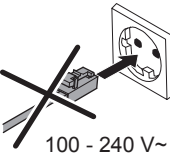
1011-A




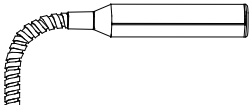


i


⚠

100 - 240 V~

BE02



Power supply

