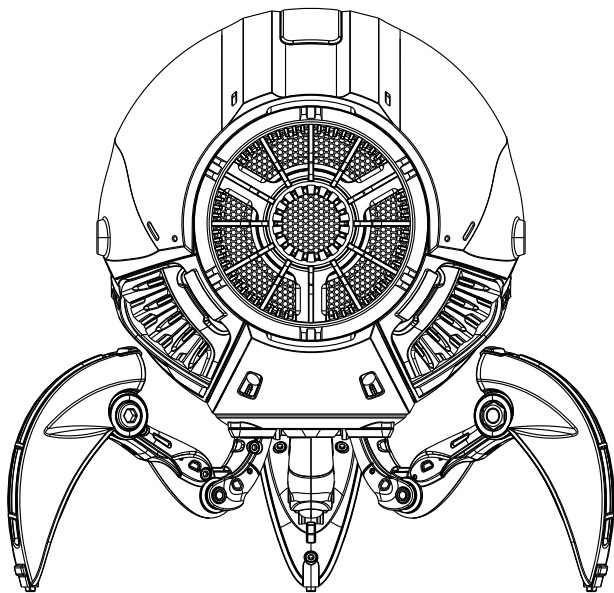


# GravaStar





 **GravaStar**

# Gravastar Speaker

The Gravastar is a Bluetooth speaker encased in metal. It comes from the future and is illuminated by built-in lights. Gravastar emits heavy bass notes, delivers clear midrange, and brilliant treble.

Embedded within the Gravastar is a 2.5 inch 20 watt speaker with a radiator. You can use the networking functions to connect two or more Gravastar speakers for stereo surround sound.

## Functionality

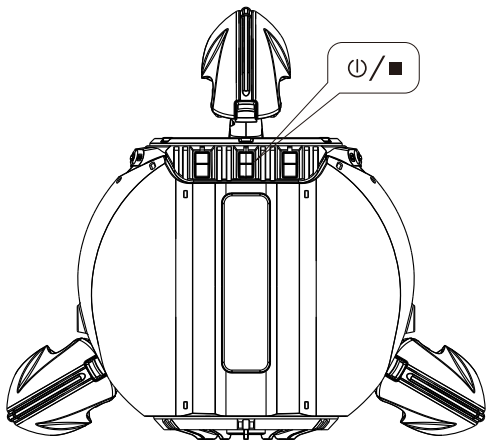
**Bluetooth:** Gravastar uses the Qualcomm Bluetooth v5.0 specification with Ti amplification, which results in a more effective connection while saving power. You can leave the tangled wiring aside and enjoy the freedom of taking your music anywhere, at anytime.

**Bass Boost:** The speakers come with a Super Bass boosting system that brings the low frequencies out clearer and louder, with a max output of 20 watts.

**TWS (True Wireless Stereo):** When two speakers are linked via Bluetooth using the TWS system, you can hear the two separate right and left channels, and experience the full benefit of stereo surround sound.

**Lithium Batteries:** The Lithium batteries are built to last an extremely long time. The speakers come with four built-in rechargeable lithium batteries which can power the speakers for over 24 hours of nonstop play.

## How to use the Gravastar



### Power On

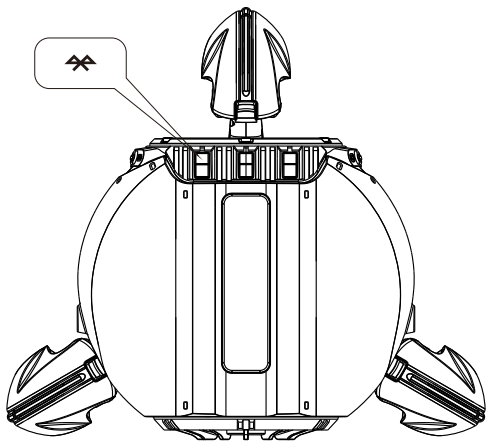
Push and hold the middle power button (⏻) for 3 seconds to power on the speakers. You will hear a sound when the speakers light up to indicate that the power is on.

### Play&Pause

When the speaker is on, push the middle power button (■) to pause the music. Push it again to continue play.

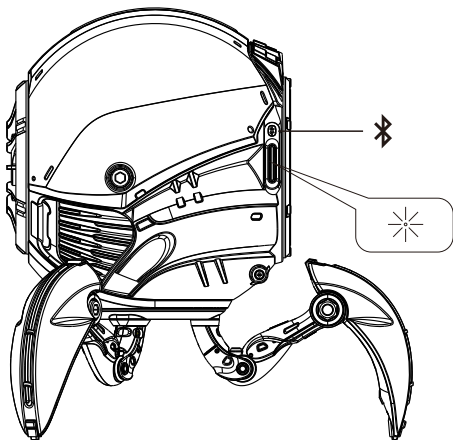
## Power Off

When the speaker is on, push and hold the middle power button (⏻) for 3 seconds to power off the speakers. You will hear a sound and the lights will turn off to indicate that the device has powered down.



## Pair

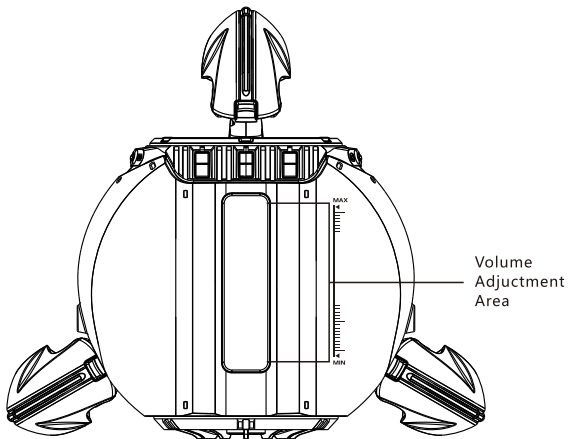
When the speaker is powered on, press the (⚡) button once. You will see the blinking LED to indicate that the Gravastar is in Bluetooth Pairing Mode. You may now search for the "Gravastar" on your list of Bluetooth devices. Once paired successfully, you will hear a sound indicating that the pairing is complete and the device is ready to be used. The LED will stop blinking and remain on.



## How to connect and disconnect two Gravastars?

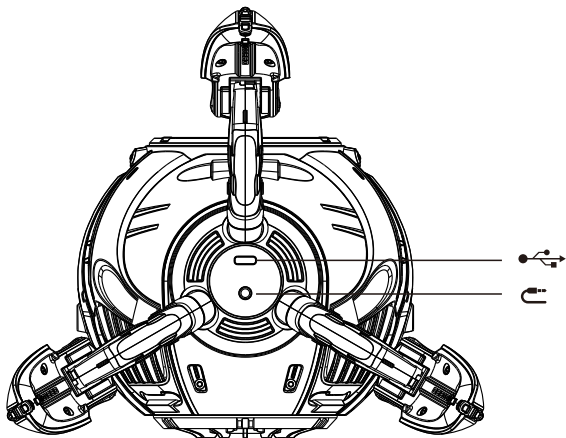
When the speaker is powered on, press and hold the (Bluetooth) button on each of the Gravastar speakers for 3 seconds. They will both enter into Gravastar Pairing Mode. You will hear a sound when the network is successfully connected. Once the network is established, the two speakers will appear as a single device in the Bluetooth pairing list.

To disconnect the network, double press the "Bluetooth" button or simply turn off one of the speakers. You will hear a sound to indicate that the network has been disconnected. If the Gravastar is already connected to a device, please pause all audio before attempting to pair the network.



## How to adjust the volume?

On the top of the casing is a touch activated Volume slider. Move your finger across the area or touch the volume level that you want to set.



## How to switch between Bluetooth and AUX-in mode?

The Gravastar supports audio cable input as a sound amplifying device. You can plug in an auxiliary cable to play music from another source. The packaging includes one AUX-in cable to be used in connecting the audio source device with the speaker. Once attached to the Gravastar, it will automatically switch into AUX-in mode.

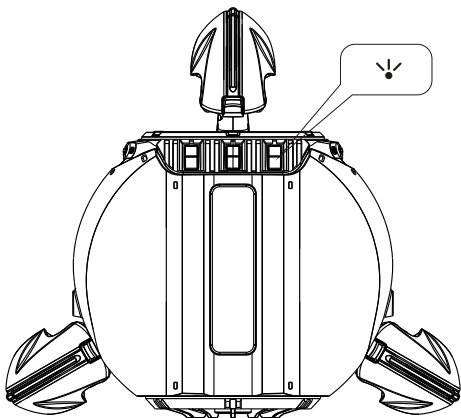
While in AUX-in mode, the Bluetooth pairing is disconnected. If you need to switch back to Bluetooth mode, you will need to unplug the AUX-in cable to enter Bluetooth Pairing Mode. The LED will begin to blink once the cable is unplugged.

At this point, you will need to pair the speaker with your device again.

## How to charge the Gravastar?

The packaging includes a Type-C cable to be used for charging the Gravastar. Insert the cable into the charging port located on the bottom side of the speaker. Connect the other end of the USB cable to a 5V/1.5A adapter (not included).

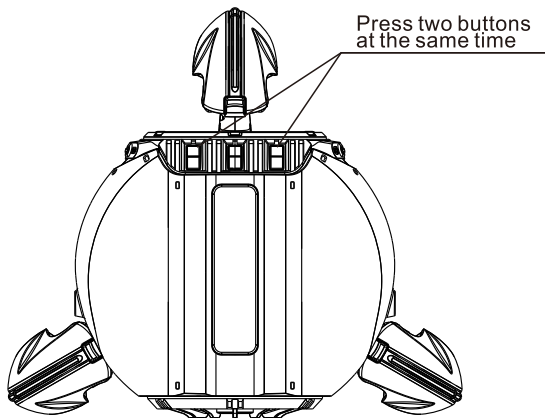
During charging, the power indicator light will continue to blink slowly. Once the charging is complete, the power indicator light will stay illuminated.





## How to turn off the light?

Press the (⏏) button.



## How to restart the Gravastar?

If the Gravastar crashes, you must restore factory settings. To reset the Gravastar to its factory settings, simultaneously press both the (⏏) and (⌘) buttons at the same time. The Gravastar will power down. Once you restart the Gravastar, the system will be reset to its factory configurations.

## Reminder

The battery needs to be charged at least once a month to prevent excessive discharge reducing battery life.

The long-term non-use of lithium batteries will lead to dormancy, which will require a longer charging time to re-activate the battery. Make sure to fully charge the battery before dormancy, since the period of low voltage will lead to operation failure and/or unstable sound.

## Important Safety Information

Please read and follow the basic safety instructions below to ensure a safe and reliable lifespan of the Gravastar:

Read and understand all safety guidelines.

Please use a 5V/1A power adapter (not included) when charging in order not to damage the device.

The product has embedded 18650 lithium batteries. Please turn off the device when not in use.

Please keep the speaker away from water sources.

Please avoid placing the product in high temperature environments.

Please try to avoid dropping the product from high surfaces as it is fragile.

## Product Specifications

Bluetooth Version: 5.0

Battery Life: 10400mAh

Play Time: 30H

Charging Input: 5V/1.5A

Power Output: 20W

Range: > 10m

NOTE: This equipment has been tested and found to comply with the limits for a Class B digital device, pursuant to part 15 of the FCC Rules. These limits are designed to provide reasonable protection against harmful interference in a residential installation. This equipment generates uses and can radiate radio frequency energy and, if not installed and used in accordance with the instructions, may cause harmful interference to radio communications. However, there is no guarantee that interference will not occur in a particular installation. If this equipment does cause harmful interference to radio or television reception, which can be determined by turning the equipment off and on, the user is encouraged to try to correct the interference by one or more of the following measures:

- Reorient or relocate the receiving antenna.
- Increase the separation between the equipment and receiver.
- Connect the equipment into an outlet on a circuit different from that to which the receiver is connected.
- Consult the dealer or an experienced radio/TV technician for help

Changes or modifications not expressly approved by the party responsible for compliance could void the user's authority to operate the equipment.

This device complies with Part 15 of the FCC Rules. Operation is subject to the following two conditions:

- (1) this device may not cause harmful interference, and
- (2) this device must accept any interference received, including interference that may cause undesired operation.