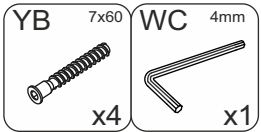
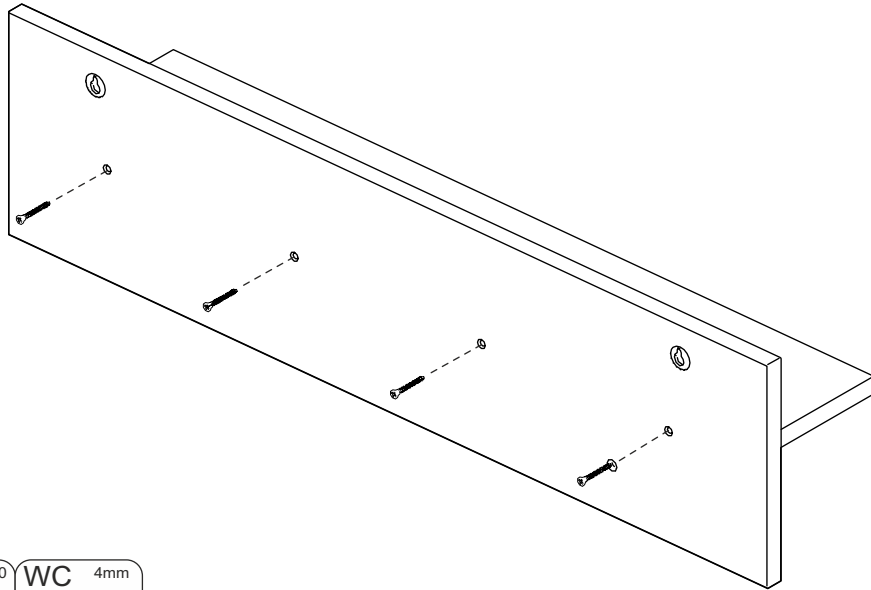


3

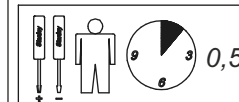
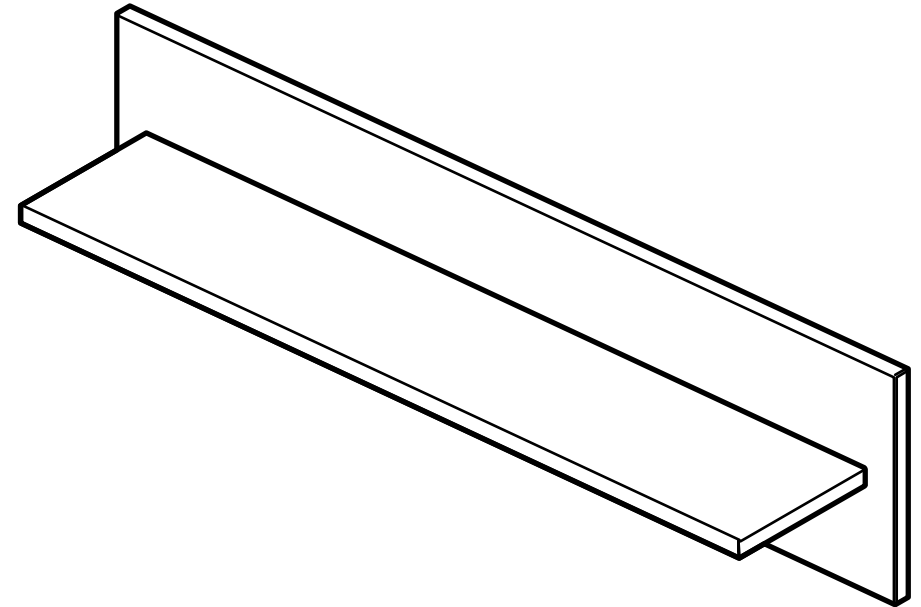


Instruction Manual

ANNE

SHELF

11818211



DISTRIBUTOR:

BOPITA

Edisonweg 3, 6662 NW Elst

The Netherlands

www.bopita.com

20.11.2018. V1

