

home

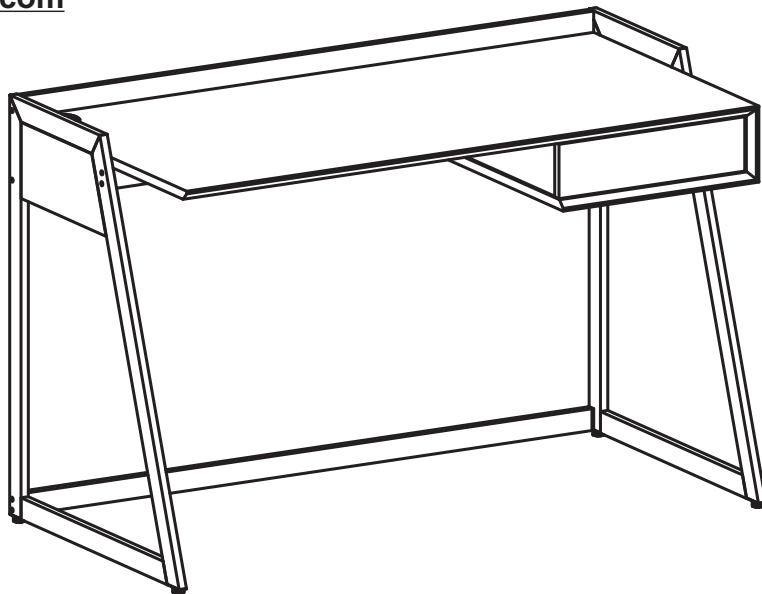
for quality home and office furniture

piranha® SERGEANT ASSEMBLY INSTRUCTIONS

Please read this guide carefully and check that you have all parts before you begin assembly. As a thank you for your purchase, we would like to offer you a 10% discount* off our range of matching furniture on www.homeinonline.com with voucher code **10%MATCH**.

Need help with your item or unhappy?

If you have **ANY** questions, please do not hesitate to email us on info@homeinonline.com and we will do our very best to help. You can also contact us via our website www.homeinonline.com



TWO PEOPLE RECOMMENDED

PC38 (SERGEANT)

General Care:

Keep furniture out of direct sunlight. Use mats and coasters to protect surfaces.
Do not place hot or wet items directly onto unprotected surfaces.

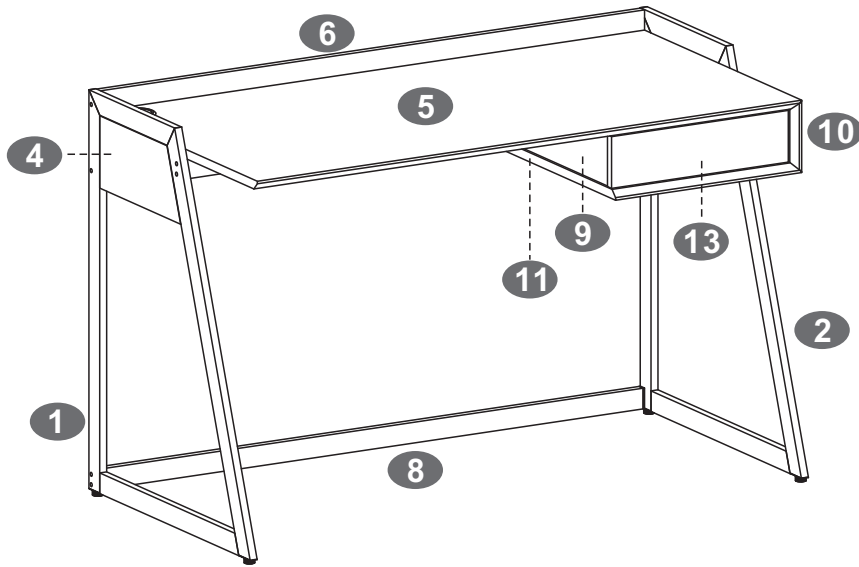
Cleaning:

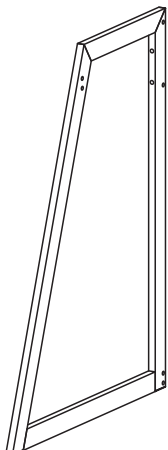
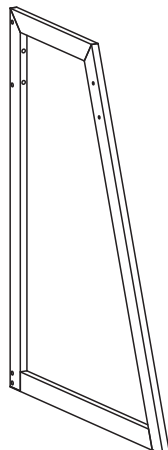

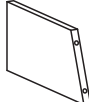
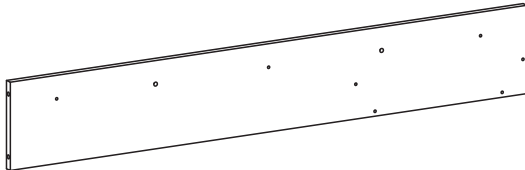
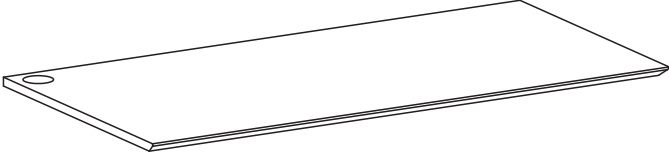

Wipe surfaces with a clean damp (not wet) cloth then dry with a clean lint free cotton cloth.
Glass surfaces may be polished with window or other glass cleaning liquids.


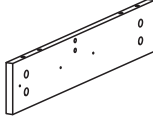
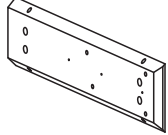
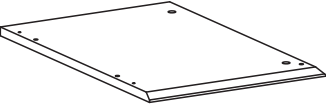
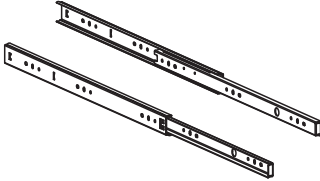

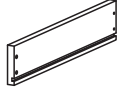

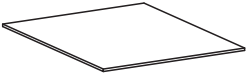



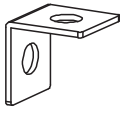
Please retain cartons until assembled as goods MUST be returned in original packaging.



■ PARTS LIST



<p>1</p>  <p>X1</p>	<p>2</p>  <p>X1</p>	<p>3</p>  <p>X4</p>	<p>4</p>  <p>X2</p>
<p>6</p>  <p>X1</p>		<p>5</p>  <p>X1</p> <p>7</p>  <p>X1</p>	

 <p>8</p> <p>X1</p>	 <p>9</p> <p>X1</p>	 <p>10</p> <p>X1</p>	
 <p>11</p> <p>X1</p>	 <p>12</p> <p>X1</p>	 <p>13</p> <p>X1</p>	 <p>14</p> <p>X1</p>
 <p>15</p> <p>X1</p>	 <p>16</p> <p>X1</p>	 <p>17</p> <p>X1</p>	 <p>18</p> <p>X2</p>
 <p>19</p> <p>X1</p>	 <p>20</p> <p>X2</p>		

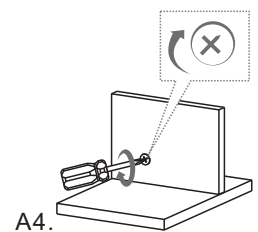
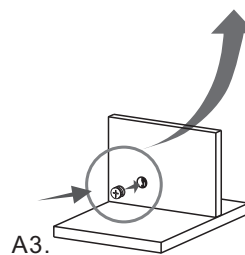
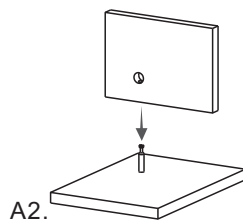
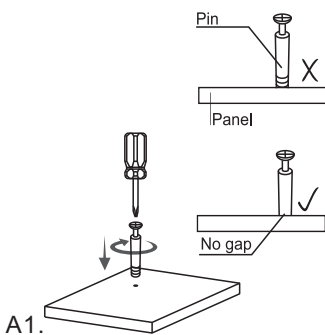
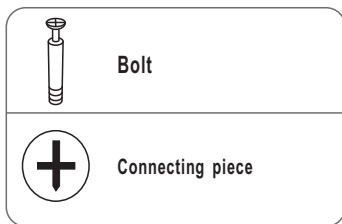


▪SCREWS LIST

PART	QTY.	ITEM	
A	4	6X40 MM	
B	6	6X50 MM	
C	10	6X30 MM	
D	4	5X55 MM	
E	4	6X68 MM	
F	14	3X15 MM	
G	4	4X35 MM	
H	6	6X12 MM	

PART	QTY.	ITEM	
I	4	Φ16 MM	
J	7	5X40 MM	
K	12	Φ15 MM	
L	4	Φ10 MM	
M	6	8X30 MM	
N	4	6X20 MM	
	1		

6X40MM BOLT INSTALLATION AS BELOW:





ASSEMBLY STEPS:

0 1 2 3 4 5 6 7 8 9 10 11 12 13 14 15 16 17 18 19 20 21 22 23 24

1

2

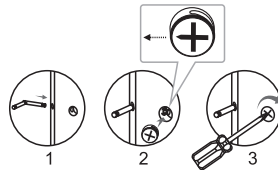
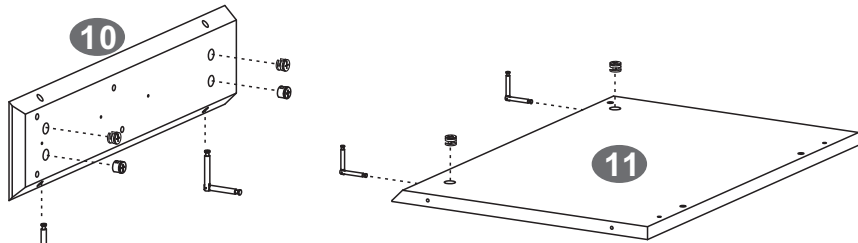
SCREWS
N 6X20 MM
x4

3

SCREWS
D 5X55 MM
x4

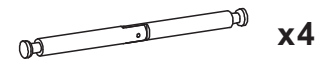
24

4



SCREWS

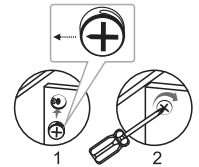
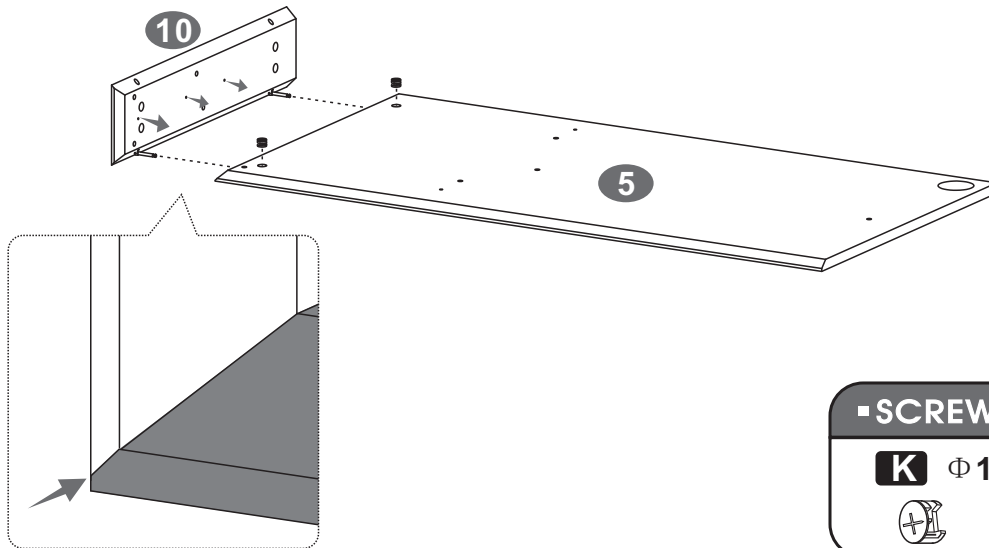
E 6X68 MM



K Φ 15 MM



5

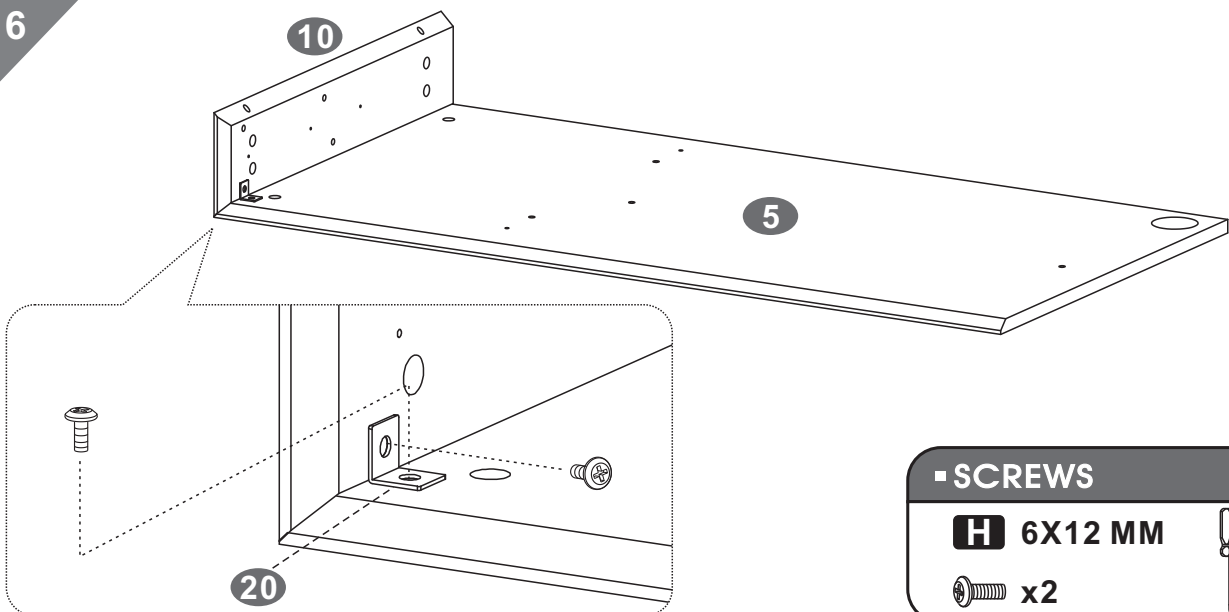


SCREWS

K Φ 15 MM



6

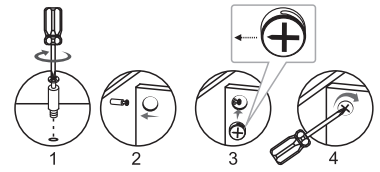
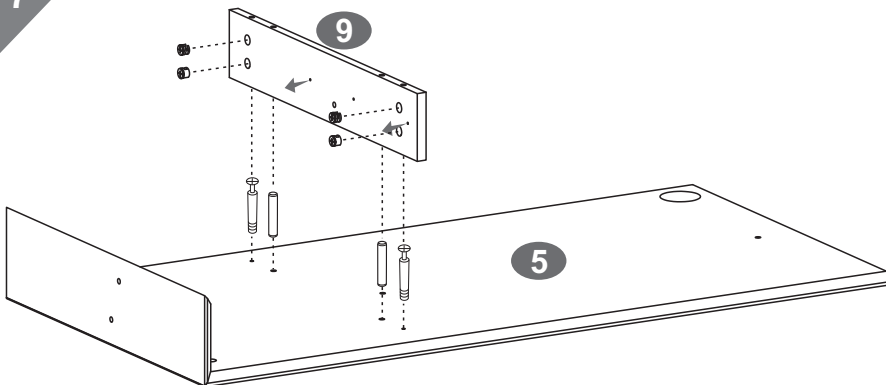


SCREWS

H 6X12 MM



7



SCREWS

A 6X40 MM

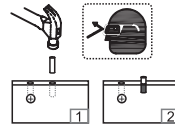
x2

K Φ 15 MM

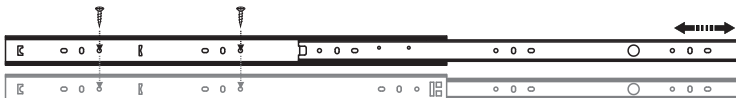
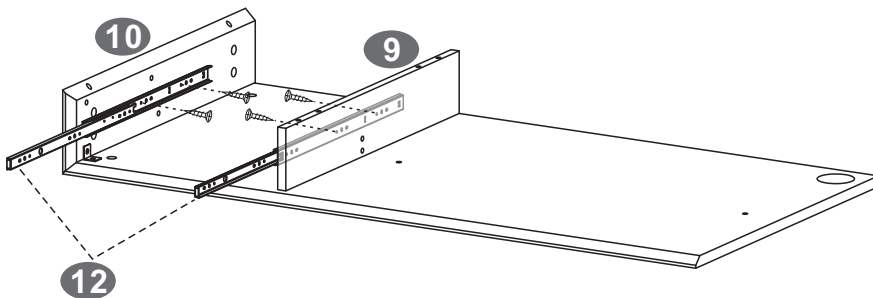
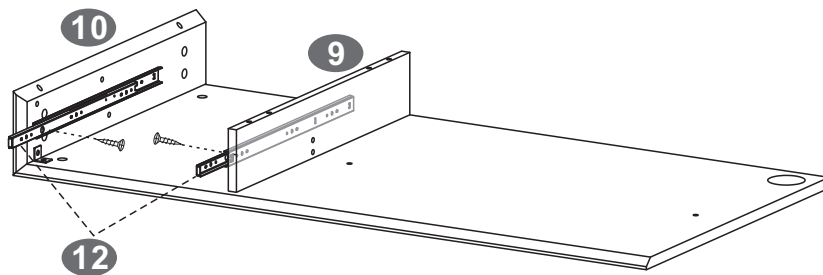
x4

M 8X30 MM

x2



8



SCREWS

F 3X15 MM

x6

9

SCREWS

- A** 6X40 MM x2
- M** 8X30 MM x2

10

SCREWS

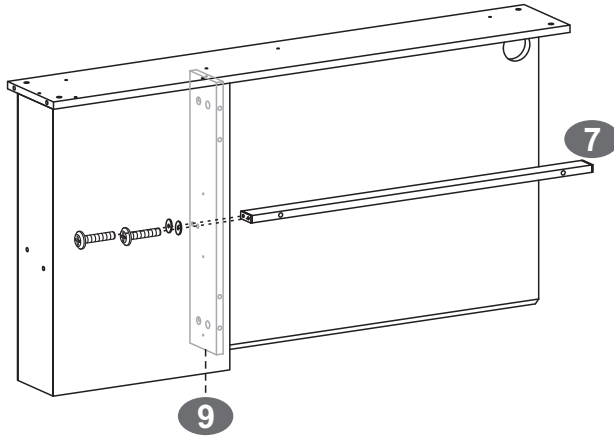
- H** 6X12 MM x2

11

SCREWS

- J** 5X40 MM x7
- M** 8X30 MM x2

12



SCREWS

C 6X30 MM

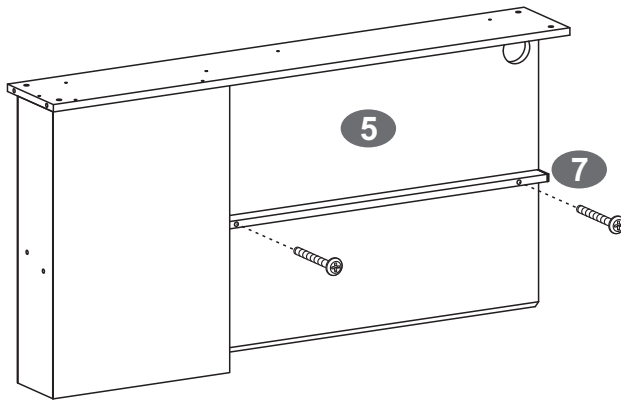
x2

I Φ 16 MM

x2



13



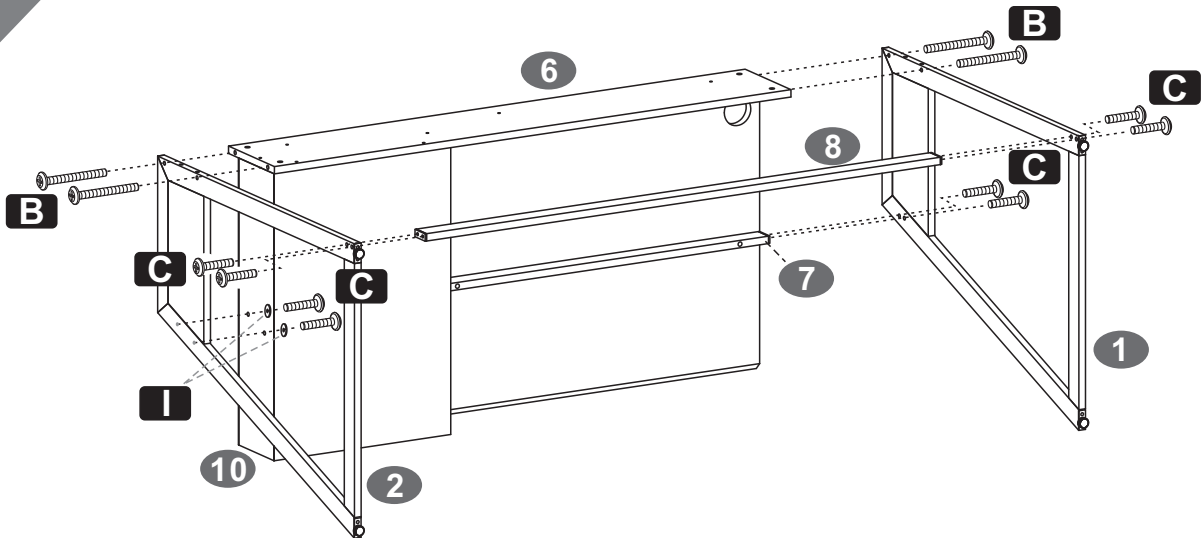
SCREWS

B 6X50MM

x2



14



SCREWS

B 6X50MM

x4

C 6X30 MM

x8

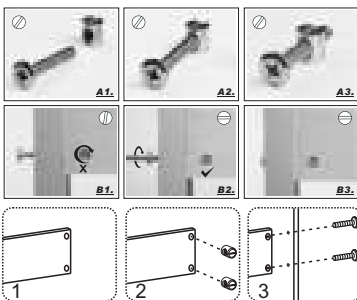
SCREWS

I Φ 16 MM

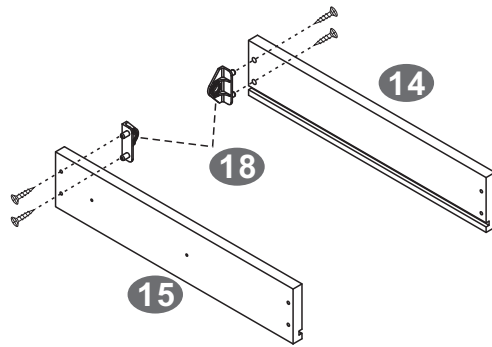
x2

L Φ 10 MM

x4



15



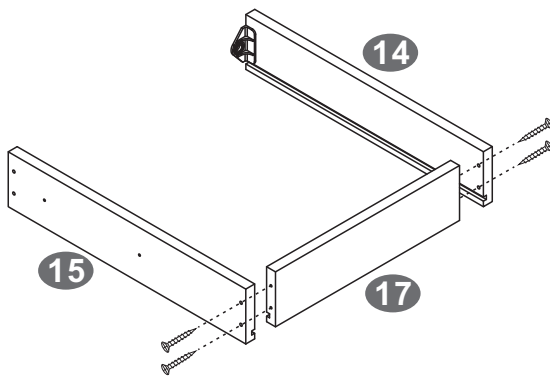
SCREWS

F 3X15 MM

x4



16



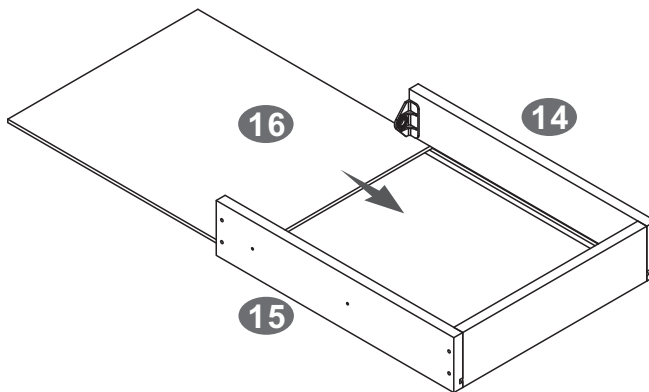
SCREWS

G 4X35 MM

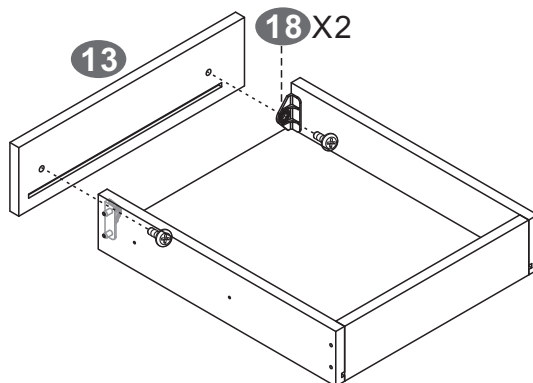
x4



17



18



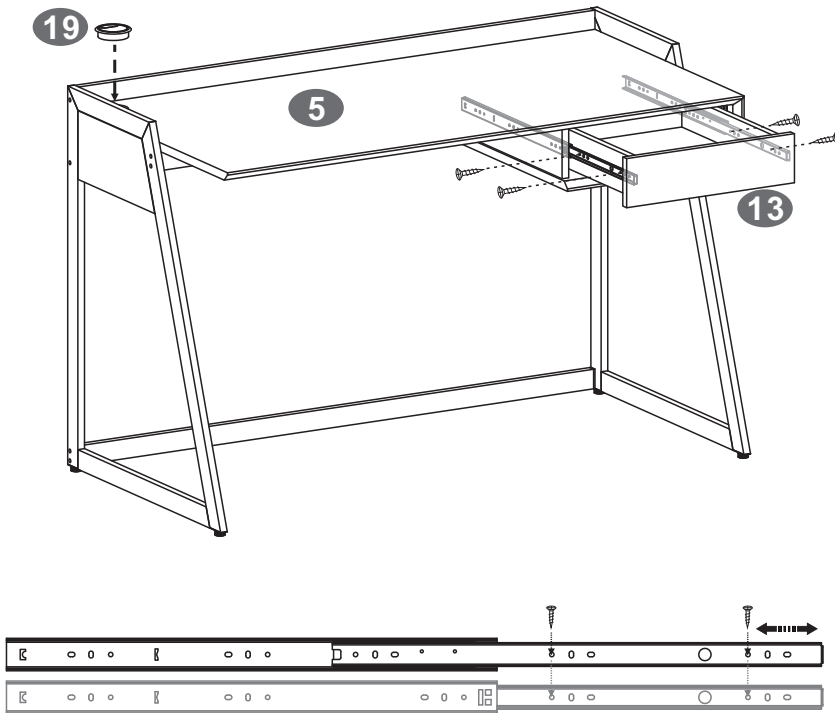
SCREWS

H 6X12 MM

x2



19



■ SCREWS

F 3X15 MM

 x4



20

