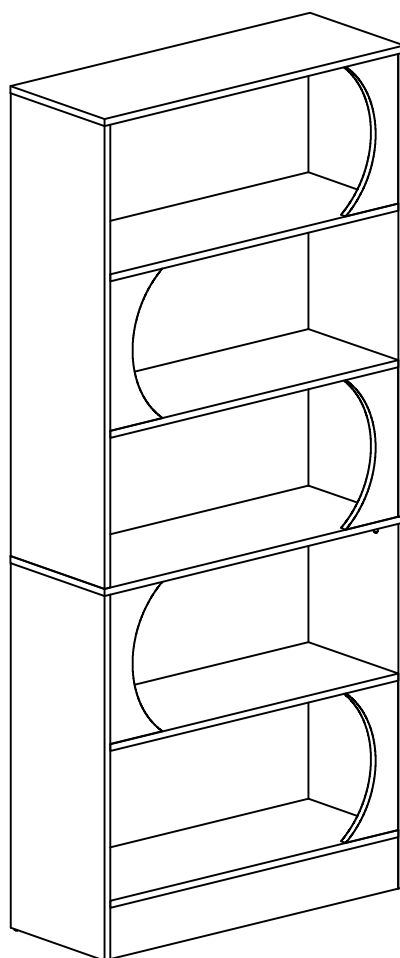


Tribesigns
LITTLE TREE
Assembly Instructions



Model No. HOGA-J0235

Book Shelf

Call us!

We're here to help!

If you have any issues with this product, please contact our customer service team **before returning** it.



We want you to be completely satisfied with your purchase! If anything is missing, damaged, incorrect, or not what you expected, don't worry. Please keep the outer packaging and take photos of both the packaging and products, and then reach out to us at **support@tribesigns.com** or call us at **1-424-220-6888**. We'll take care of everything and send you a free replacement, so you can enjoy your purchase as soon as possible without any hassle.

Assembly Instructions:

1. Carefully read these instructions and keep them for future reference.
2. Refer to the parts list for guidance and ensure that you have all the pieces before starting the assembly process, if anything is missing, damaged, incorrect, contact us **FIRSTLY BEFORE** assembling.
3. When assembling, place all parts on a soft, clean, and flat surface, such as a carpet, to prevent any scratches.
4. To avoid misalignment of the holes, Please don't full tighten the screws until you ensure all parts in place.

Follow Tribesign:



Facebook



Twitter



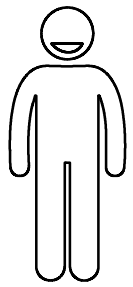
Pinterest



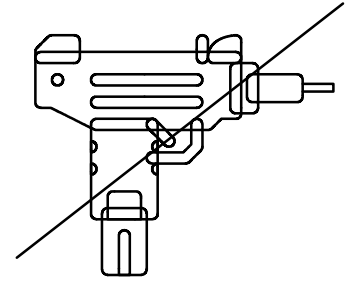
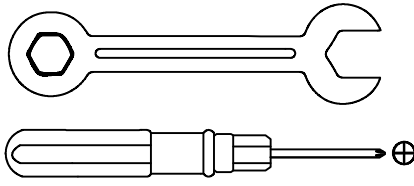
YouTube



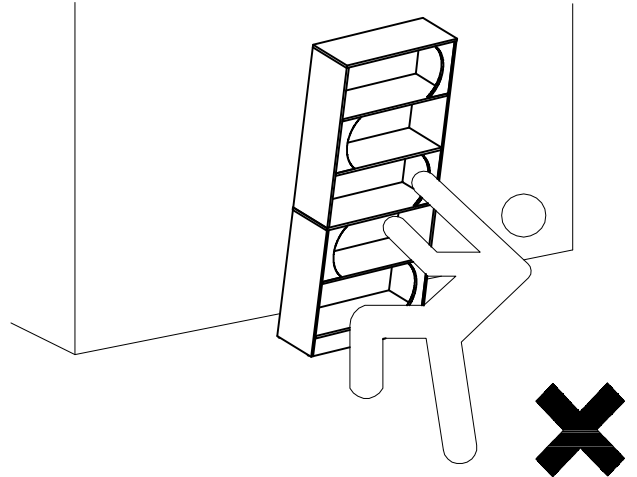
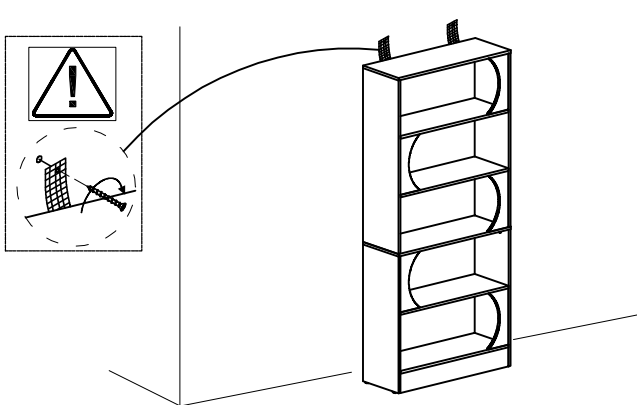
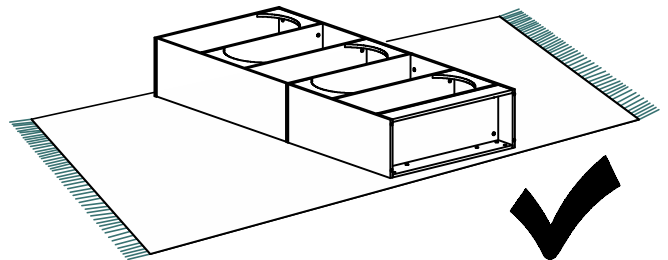
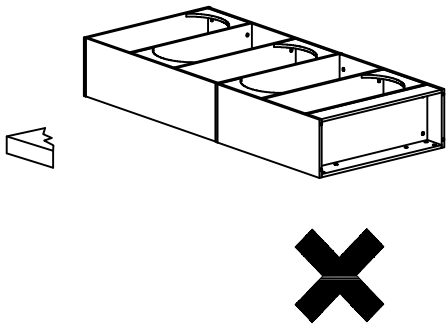
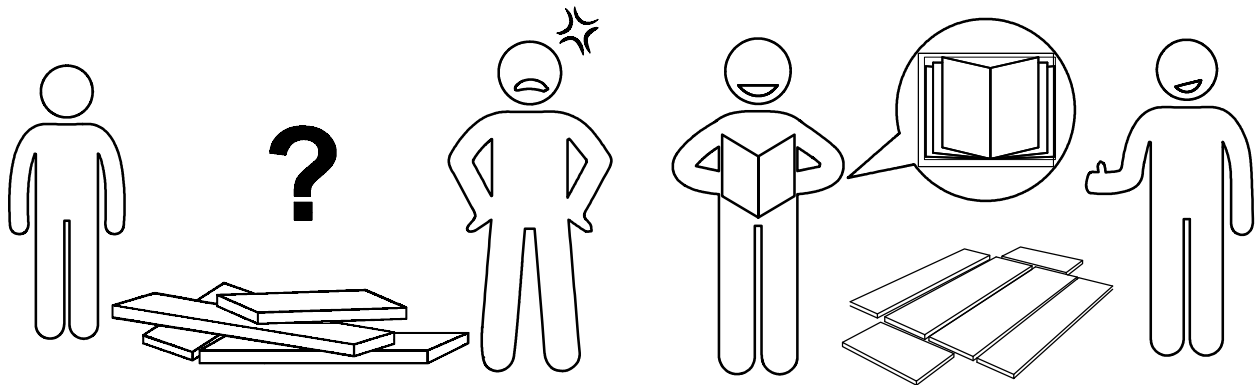
Instagram



X2

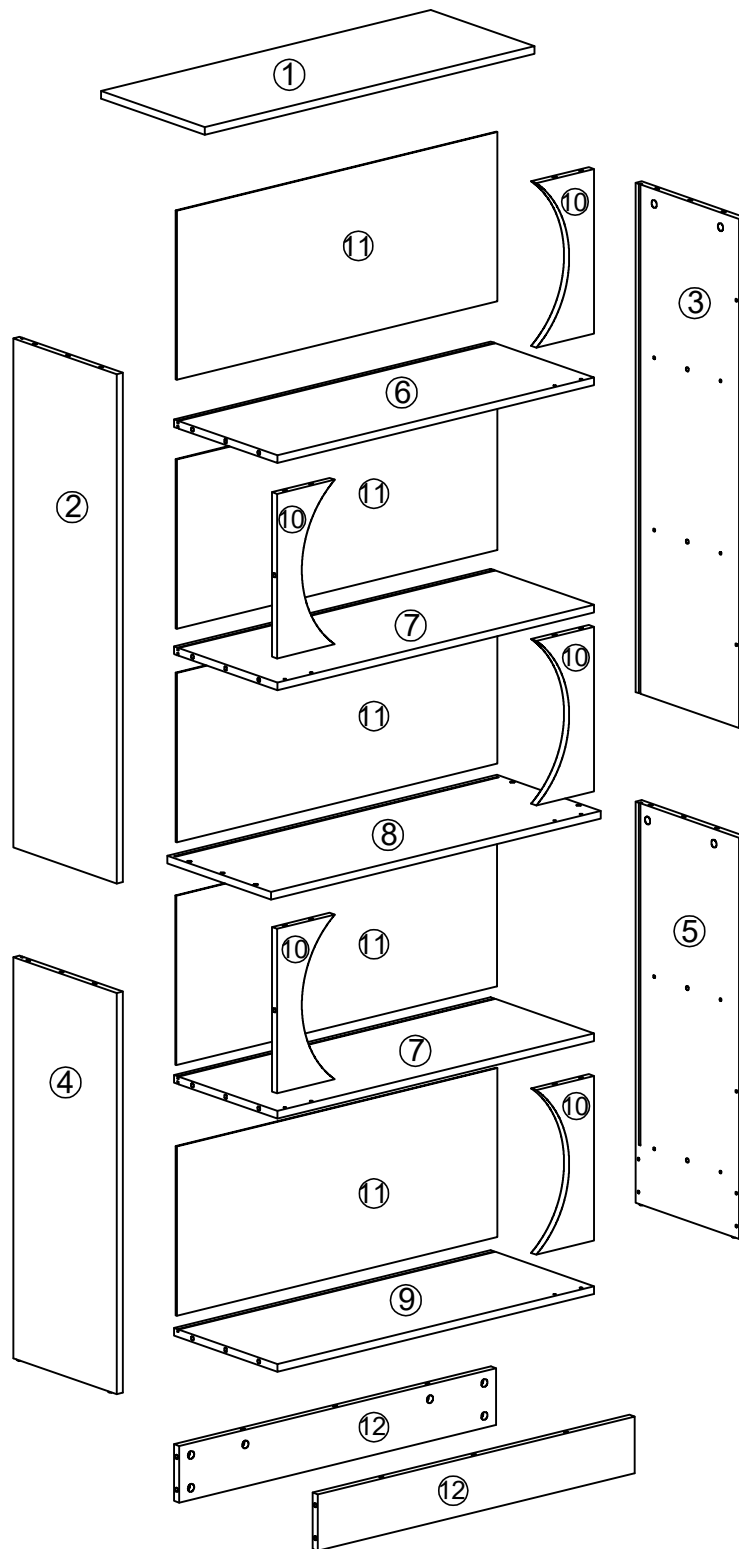


When using the electric screwdriver ,
Reduce the power and torque to avoid damaging the furniture



(Install tip-over restraint provided)

Use of tip-over restraints may only reduce but not eliminate,
the risk of tip-over.



! Caution

Make sure all parts are included. Most board parts are labeled or stamped on the raw edge. Contact us for free replacement if having damaged or missing parts.

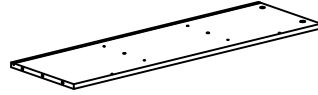
Parts & Hardware List



① 1pc



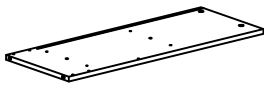
② 1pc



③ 1pc



④ 1pc



⑤ 1pc



⑥ 1pc



⑦ 2pcs



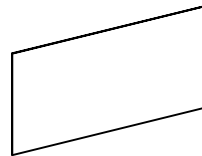
⑧ 1pc



⑨ 1pc



⑩ 5pcs

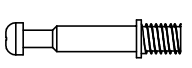








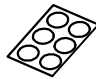


⑪ 5pcs



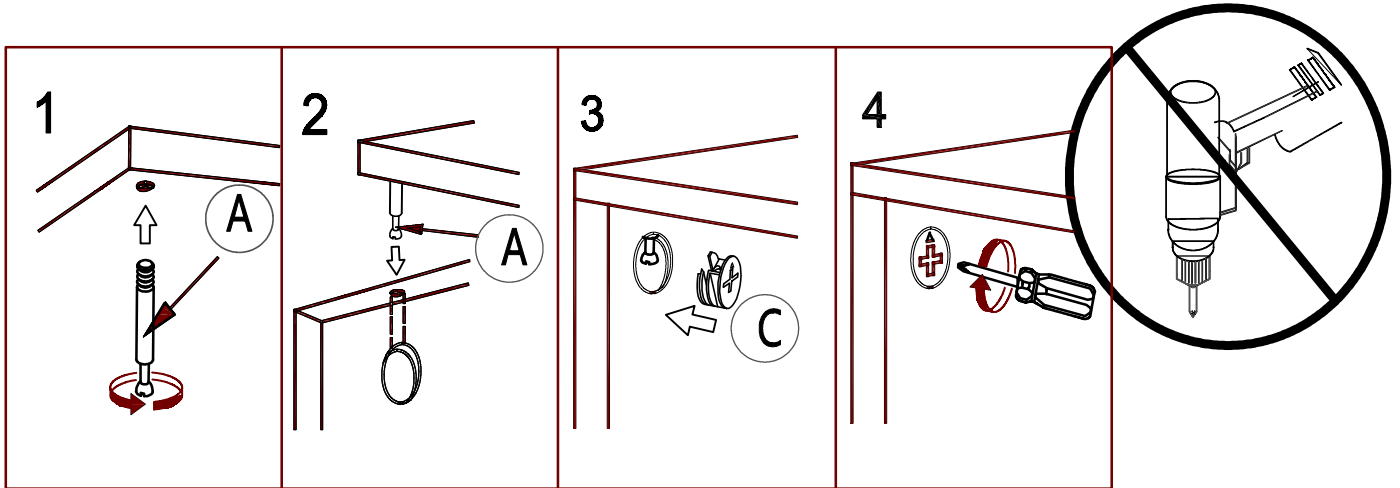
⑫ 2pcs

Hardware List

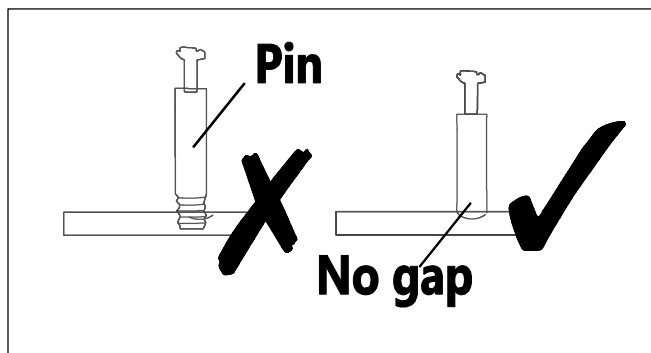
A	X61+1	B	X61+1	C	X16+1	D	X4+1	E	X1
									
φ6X35mm		Ø15X12mm		φ8X30mm		φ7X47mm		M4X64mm	
F	X2+1	G	X2+1	H	X2	I	X2	J	X2
									
3.5X14mm		Ø4X35mm		Ø8X40mm		155X20mm		φ20mm	

Installation of Cams and Pins

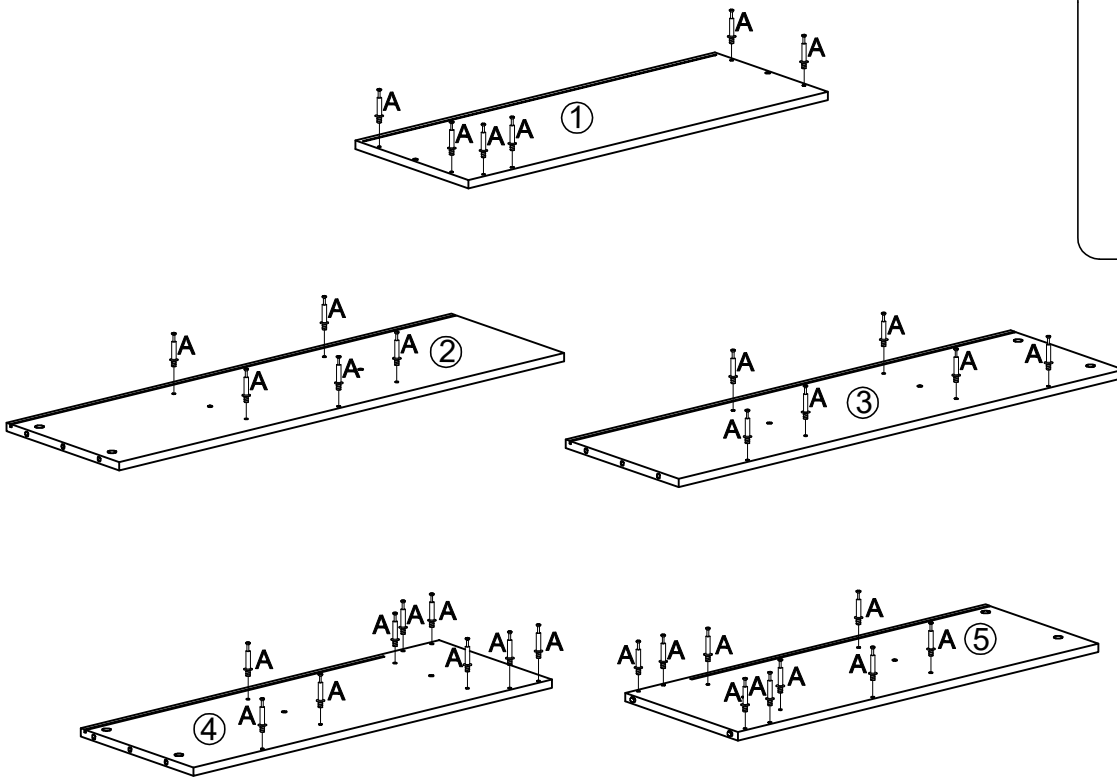
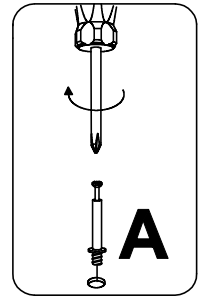
Screw the pin into the hole. To set the cams correctly, ensure that the arrow on the cam is opening to the hole of the pin it is locking. Lock the cam by turning the cam head with a screwdriver until it is tightened. Please do not use an electric screwdriver to assemble the unit.



Read each step carefully before starting. It is very important that each step of instruction is performed in the correct order. If these steps are not followed in sequence, assembly difficulties will occur.

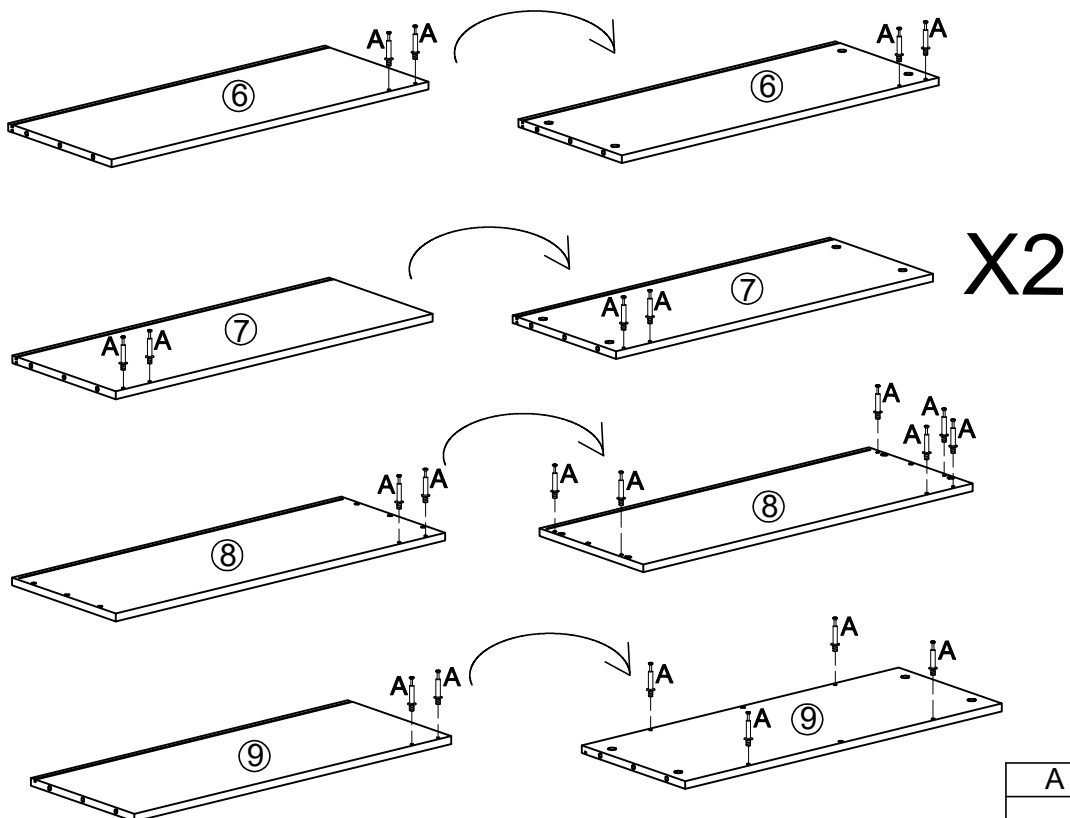


1



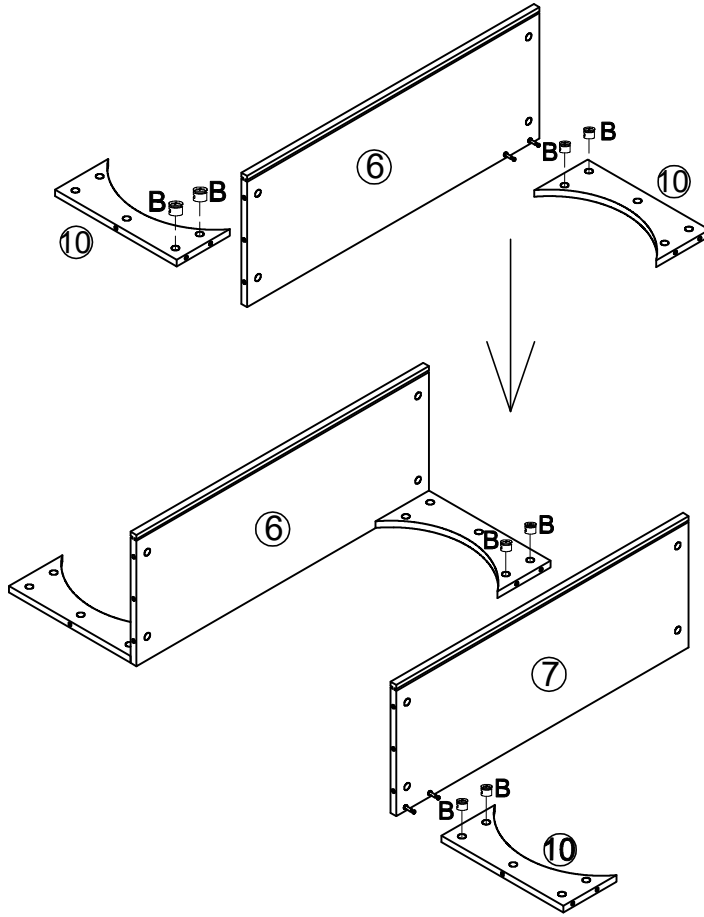
A	X35
φ6X35mm	


2



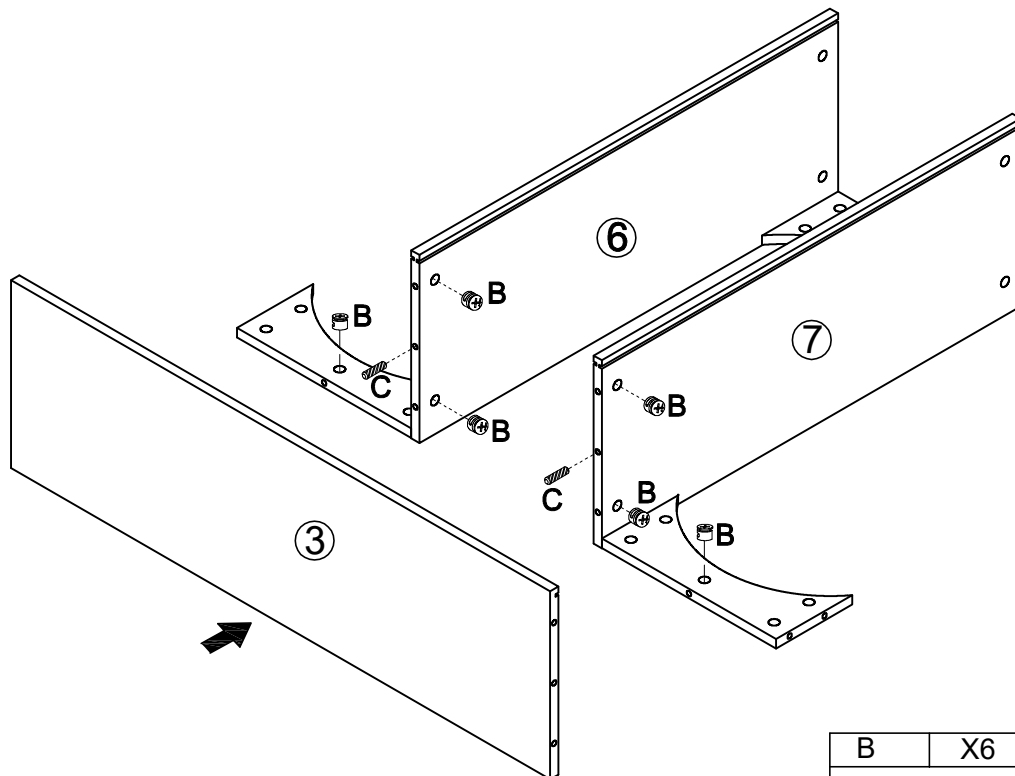
A	X26
φ6X35mm	



3



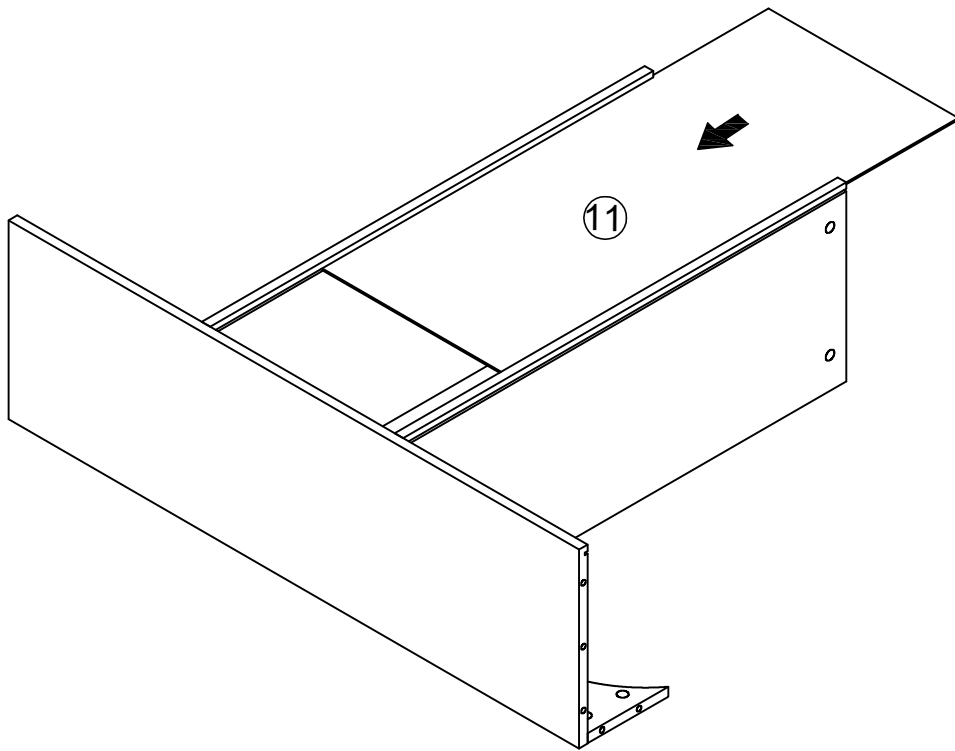
B	X8
	
Ø15X12mm	

4

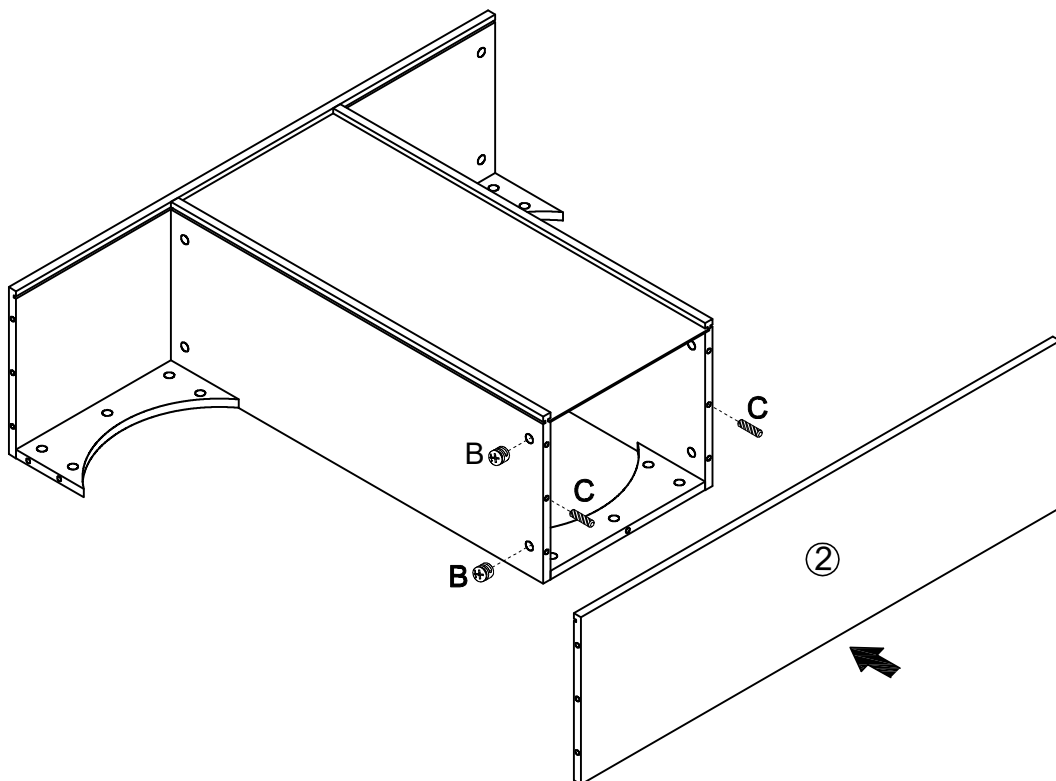




B	X6	C	X2
			
Ø15X12mm		φ8X30mm	

5

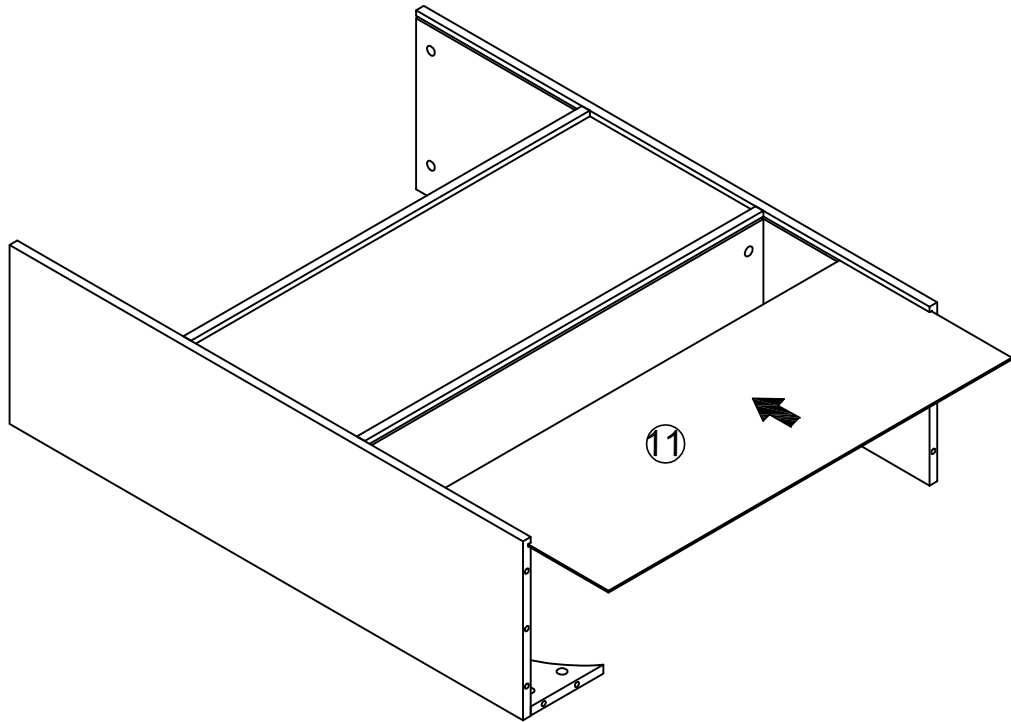


6

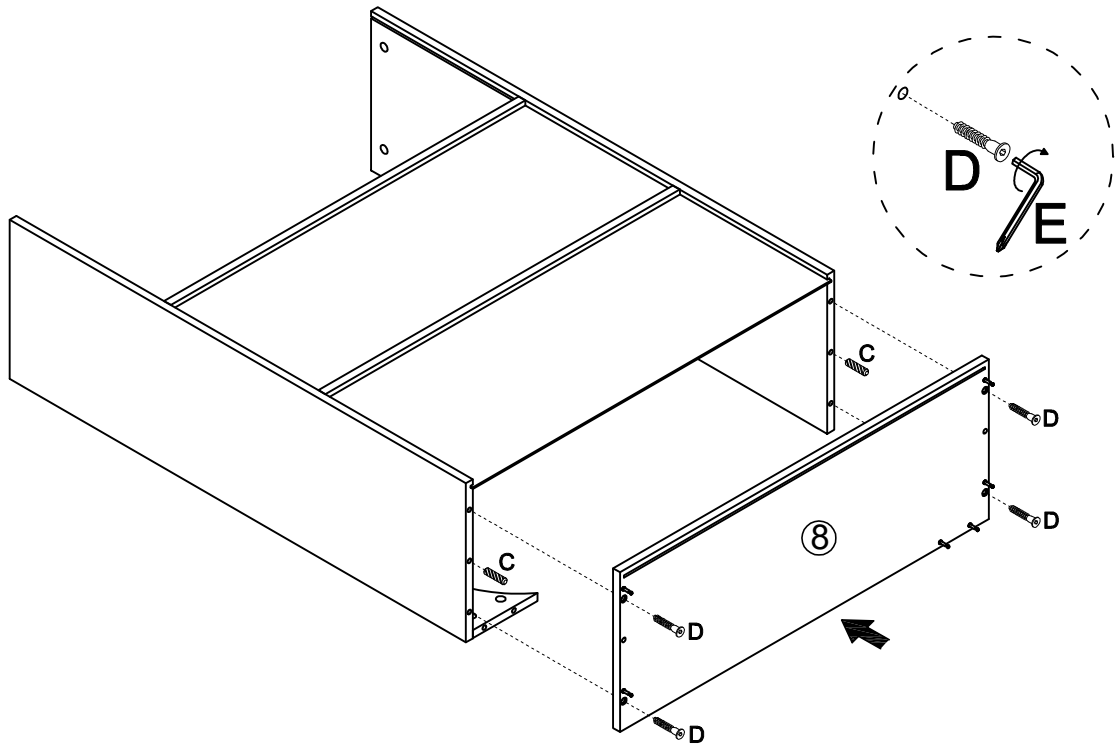





B	X2	C	X2
			
Ø15X12mm		φ8X30mm	

7

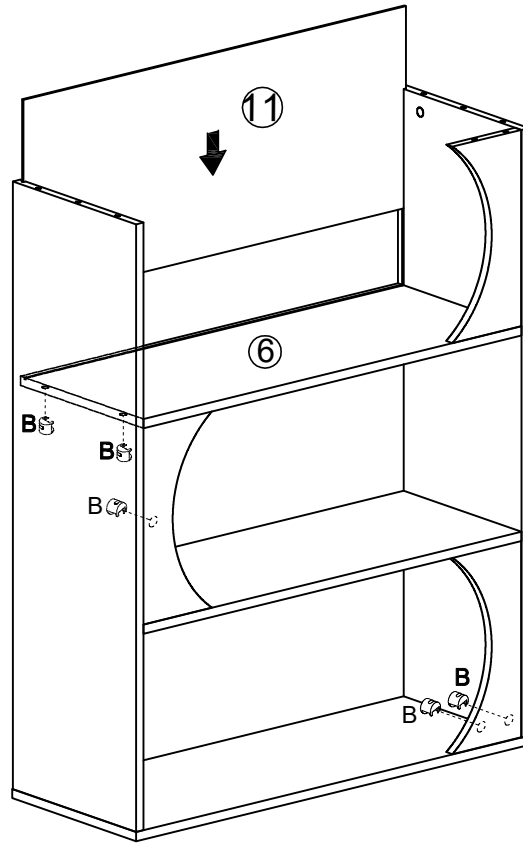



8



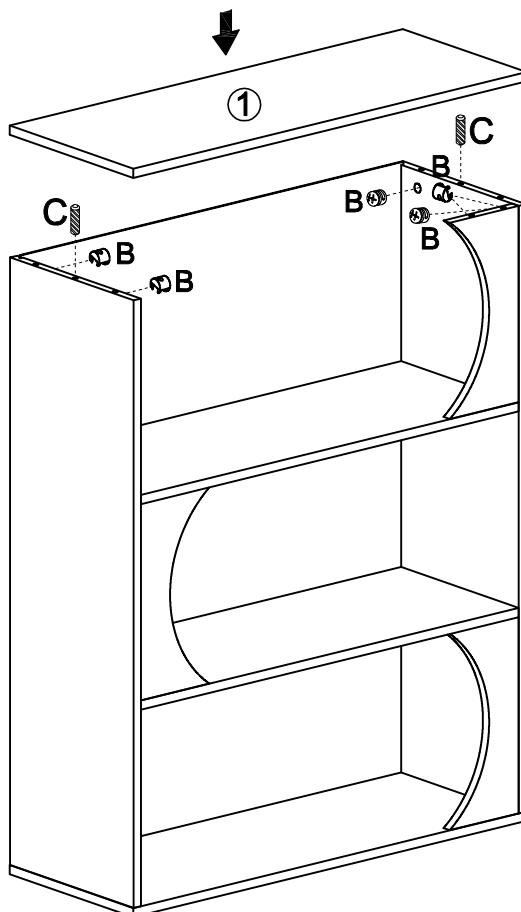
C	X2	D	X4	E	X1
					
φ8X30mm		φ7X47mm		M4X64mm	



9



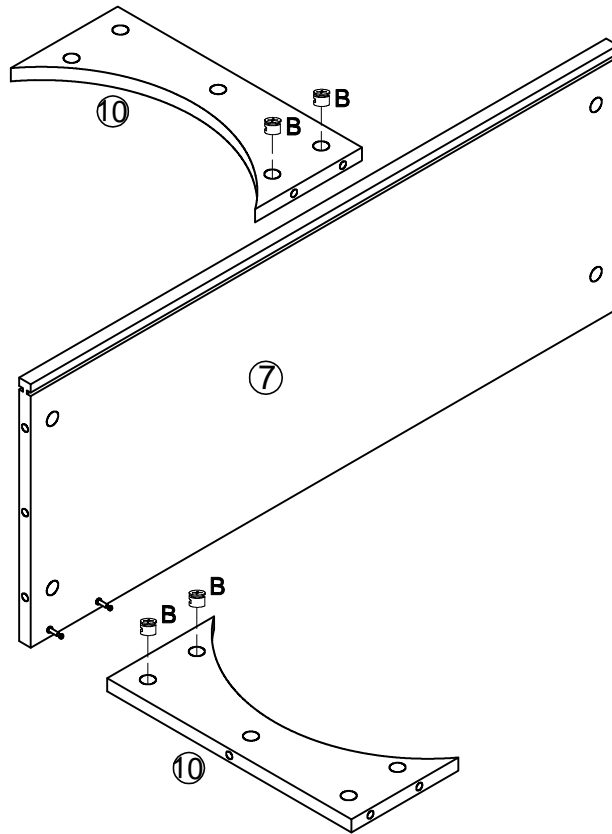
B	X5
	
Ø15X12mm	


10



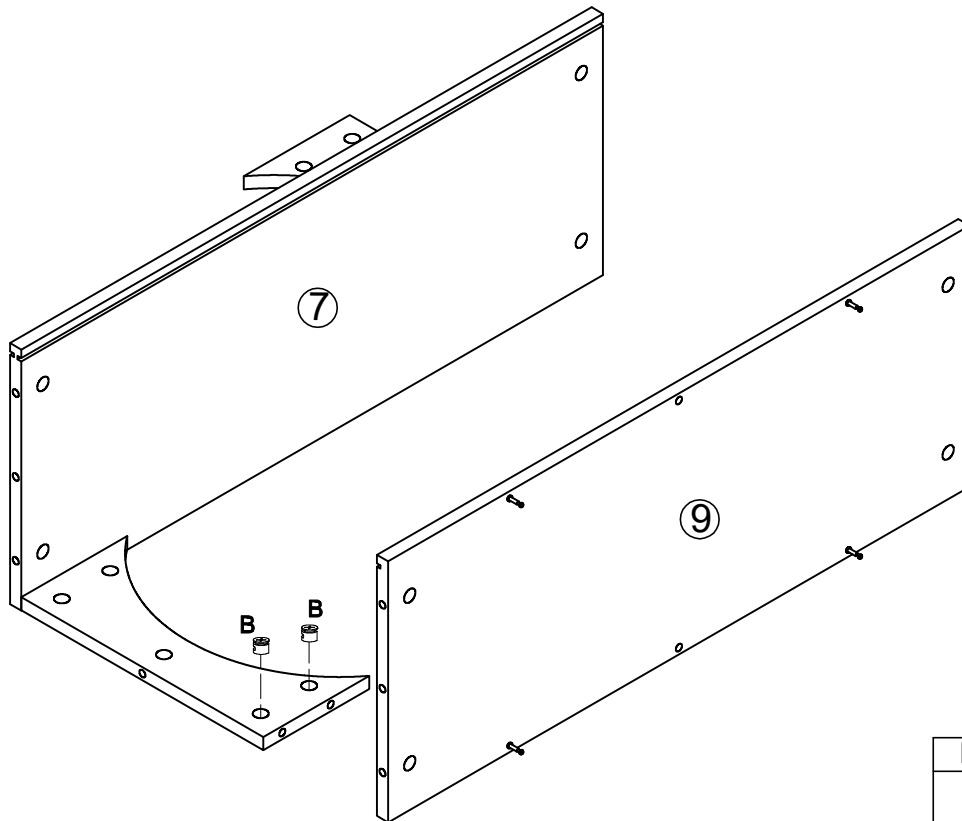
B	X6	C	X2
			
Ø15X12mm		φ8X30mm	


11



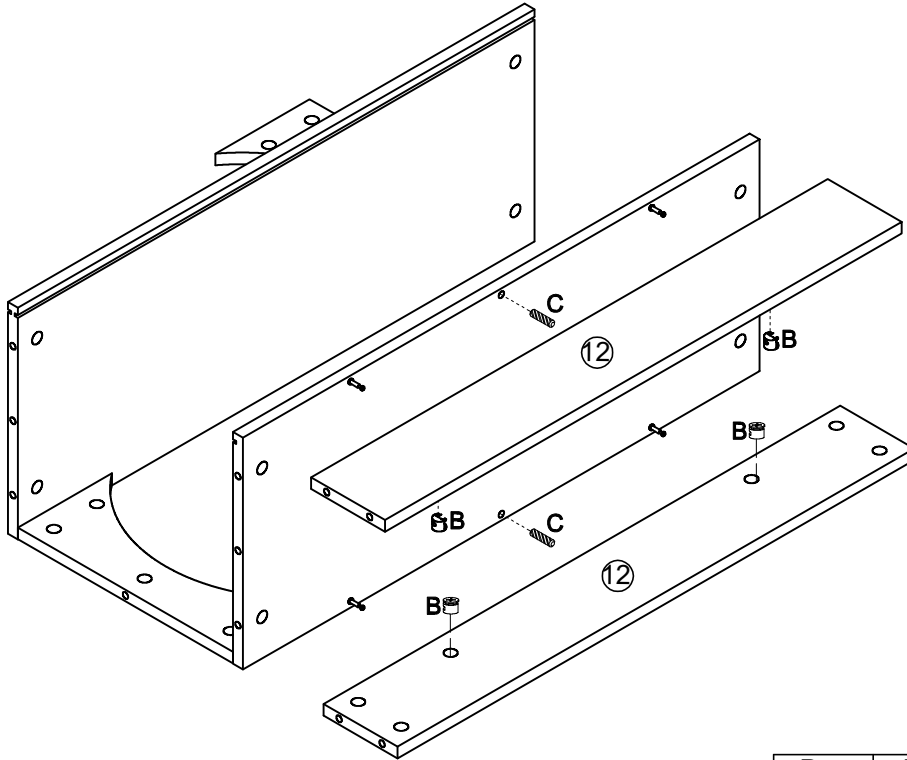
B	X4
	
Ø15X12mm	



12



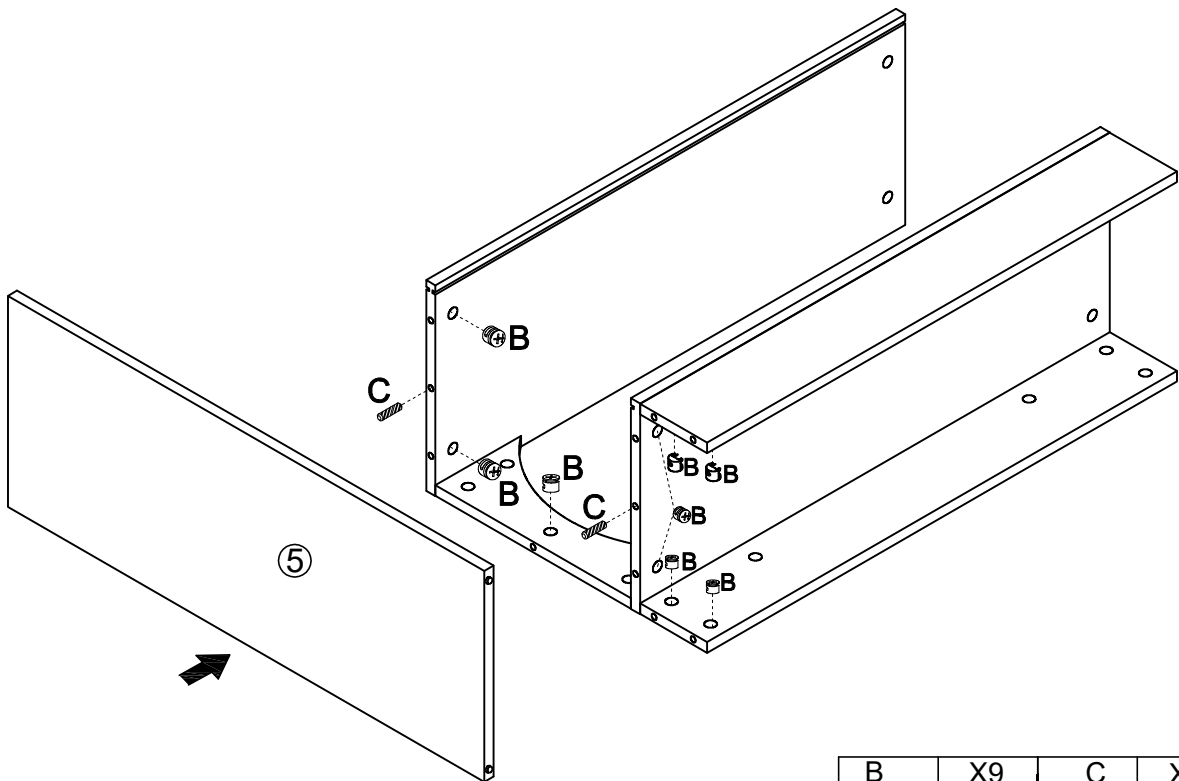
B	X2
	
Ø15X12mm	



13



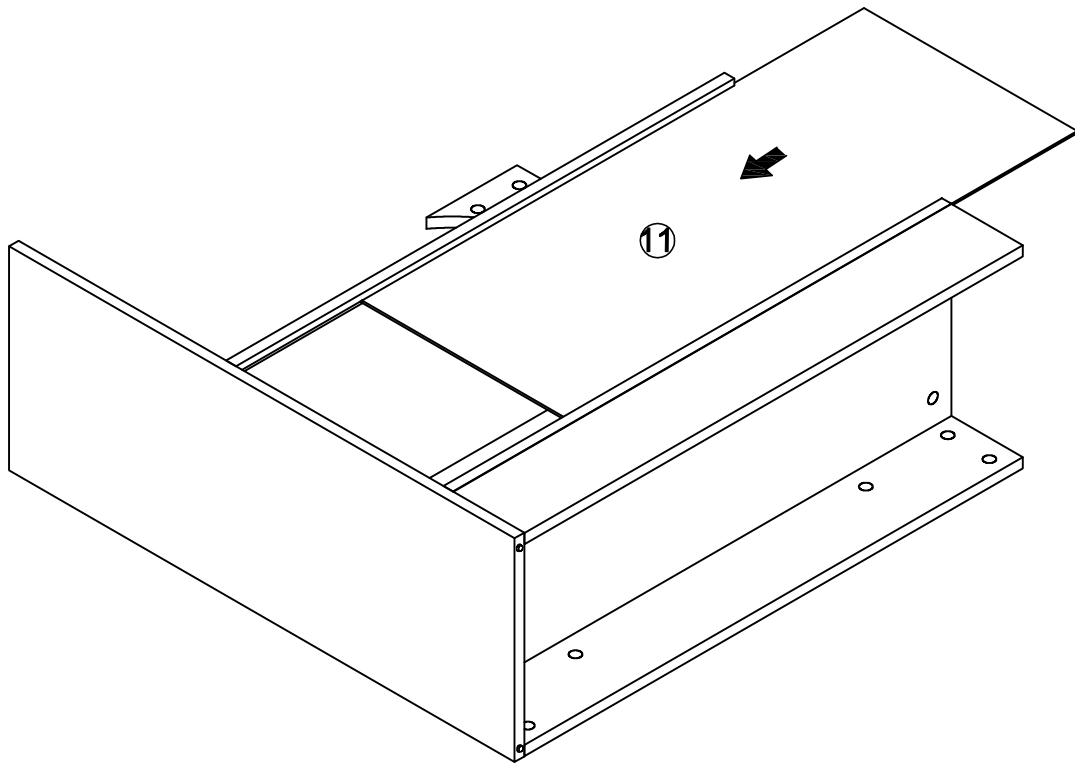
B	X4	C	X2
			
Ø15X12mm		φ8X30mm	

14

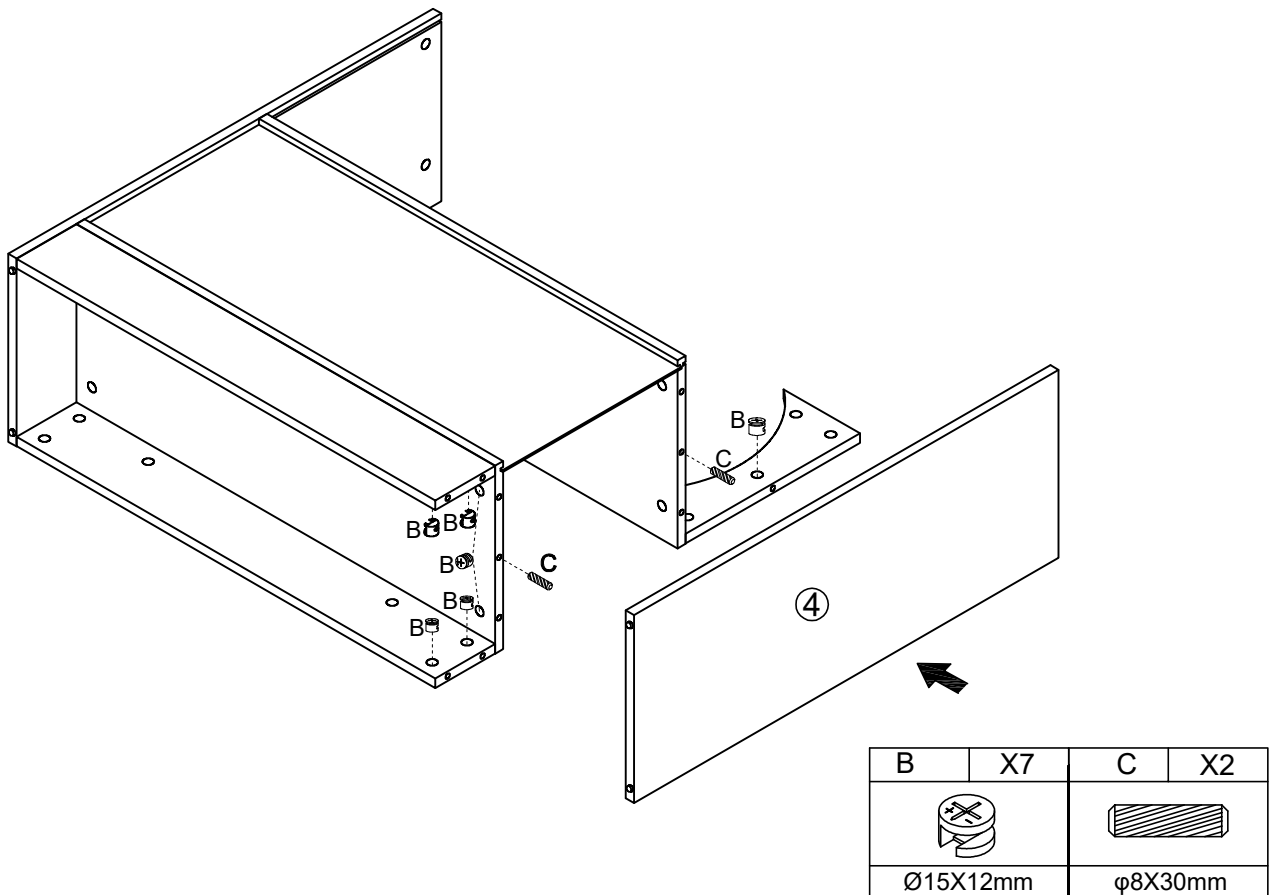


B	X9	C	X2
			
Ø15X12mm		φ8X30mm	

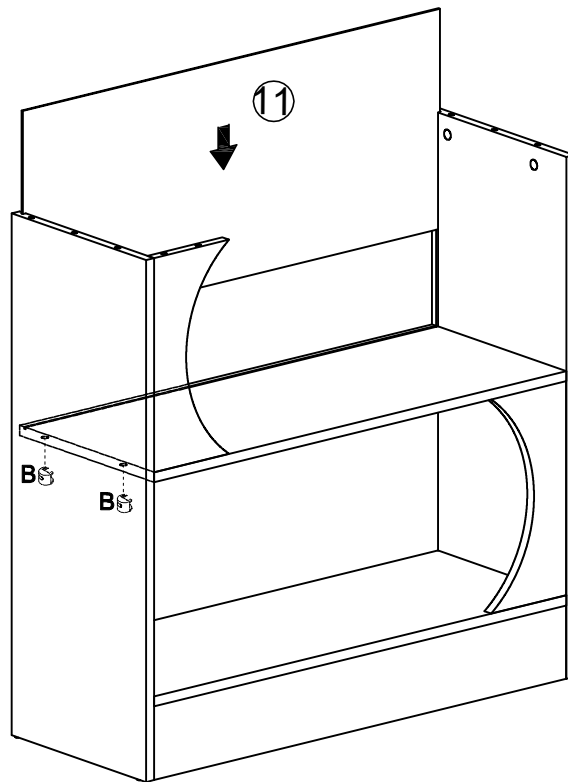
15




16

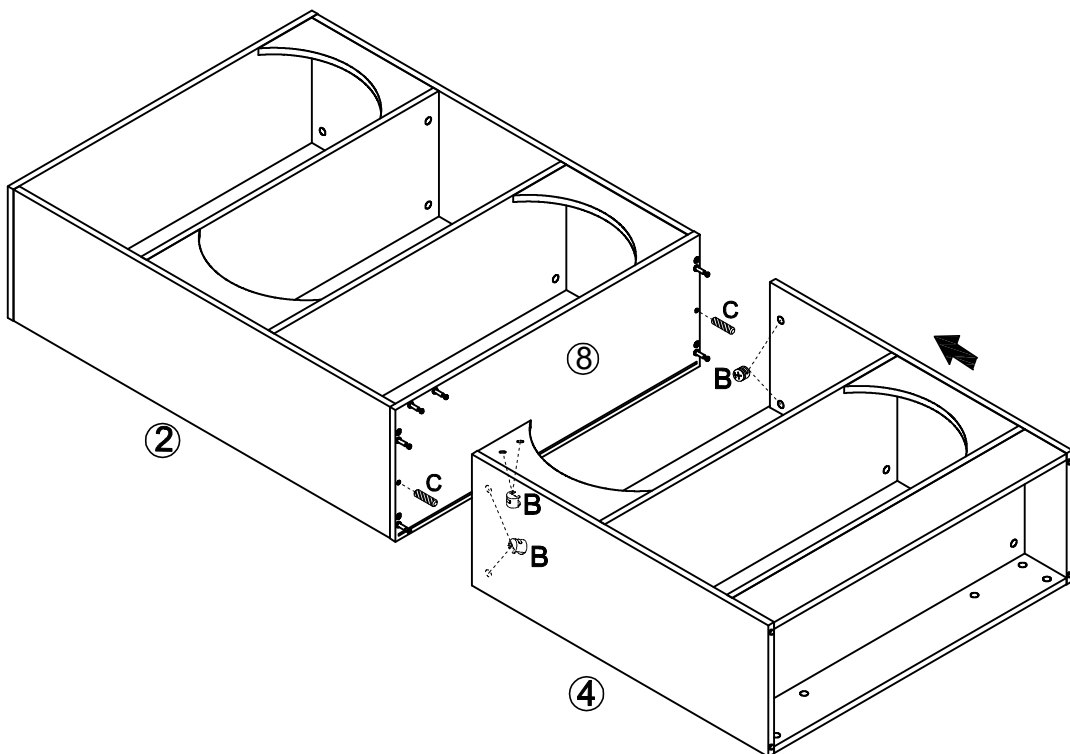




17



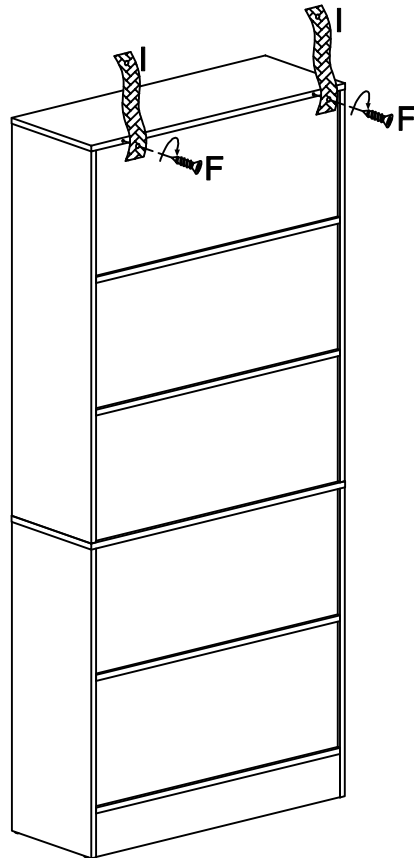
B	X2
	
Ø15X12mm	

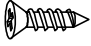

18



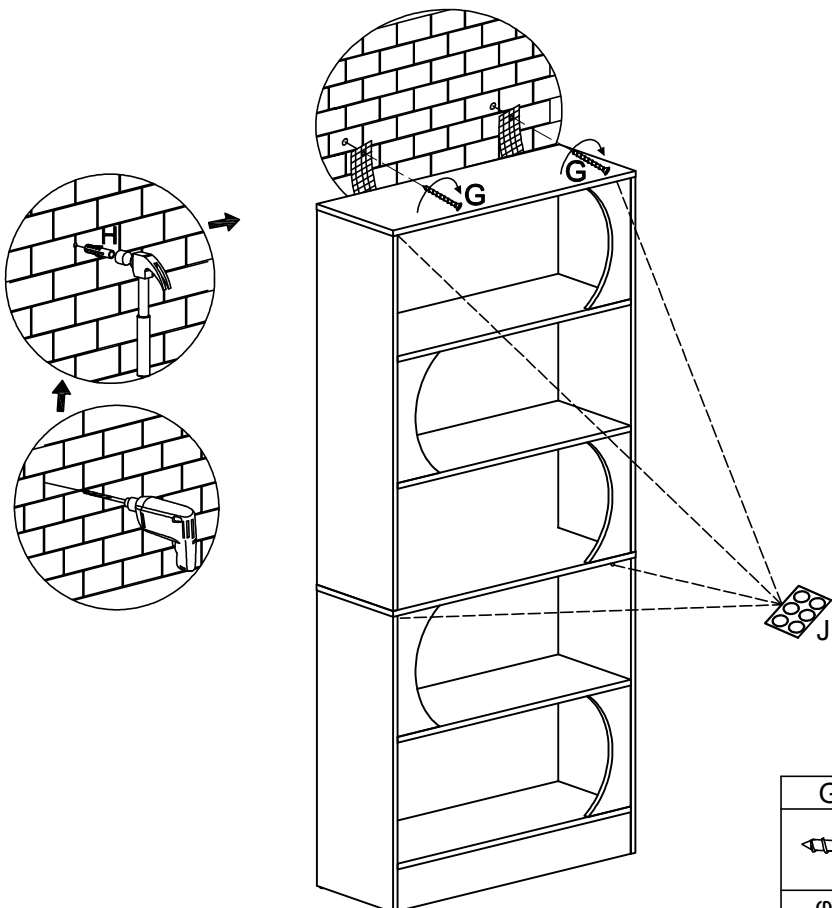
B	X6	C	X2
			
Ø15X12mm		φ8X30mm	

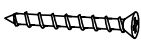


19

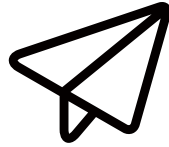


F	X2	I	X2
			
3.5X14mm		155X20mm	

20



G	X2	H	X2	J	X2
					
φ4X35mm		φ8X40mm		φ20mm	



No heartburn, when we handle the return


Our way


 support@tribesigns.com

 Replacement/Refund

 You

Their way

 Re-package item

 Schedule pick-up

 Track package

 Replacement

 You

Contact our customer service team



support@tribesigns.com
www.tribesigns.com



1-424-220-6888