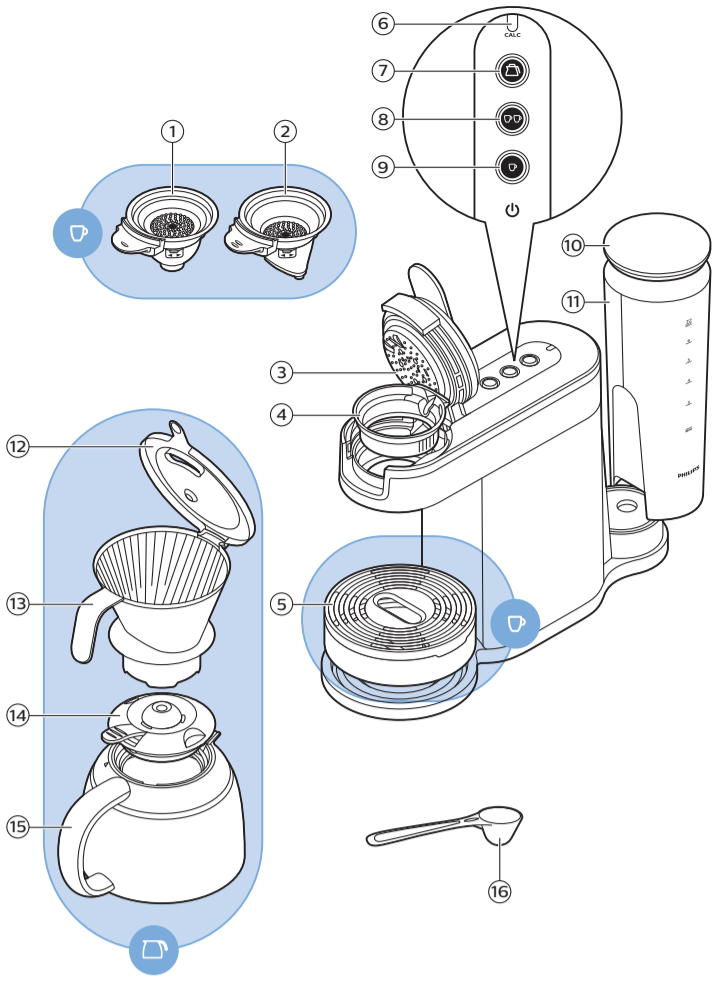




>75% recycled paper
>75% papier recyclé

© 2016 Koninklijke Philips N.V.
All rights reserved
4222.200.0409.2 (12/2016)

- 2
- 3
- 4
- 5
- 6
- 7
- 8
- 9
- 10
- 11
- 12
- 13
- 14
- 15
- 16
- 17
- 18
- 19
- 20
- 21
- 22
- 23
- 24
- 25
- 26
- 27
- 28
- 29
- 30
- 31
- 32
- 33
- 34
- 35
- 36
- 37
- 38
- 39
- 40
- 41
- 42
- 43
- 44
- 45



English

Introduction

Congratulations on your purchase and welcome to Philips! To fully benefit from the support that Philips offers, register your product at www.philips.com/welcome.

Clean cold water

Use clean cold water every day. If you have not used the coffee machine for one day, you have to flush it with clean cold water before you use it again. To flush the machine, fill the water reservoir with clean cold water, place a bowl (with a capacity of at least 1500 ml) or 2 cups under the coffee spout and press the 2-cup button a few times to brew hot water until the water reservoir is empty.

Fresh filter coffee

To brew a jug of delicious coffee use good-quality pre-ground coffee. Always use a paper filter size 102. You can brew up to 7 cups of coffee in the jug.

Fresh coffee pods

Use good-quality fresh coffee pods in this machine for a full, round taste. To keep the pods fresh longer, store them in a storage container.

Important

Read this user manual carefully before you use the machine and save it for future reference.

Danger

- Never immerse the machine in water or any other liquid.

Warning

- Connect the machine to an earthed wall socket.
- Check if the voltage indicated on the bottom of the machine corresponds to the local mains voltage before you connect the machine.
- This machine can be used by children aged from 8 years and above and persons with reduced physical, sensory or mental capabilities or lack of experience and knowledge if they have been given supervision or instruction concerning use of the machine in a safe way and understand the hazards involved. Children shall not play with the machine. Cleaning and user maintenance shall not be made by children unless they are 8 years and above and supervised.
- Keep the machine and its cord out of the reach of children aged less than 8 years.
- Do not use the machine if the plug, the mains cord or the machine itself is damaged.
- If the mains cord is damaged, you must have it replaced by Philips, a service center authorized by Philips or similarly qualified persons in order to avoid a hazard.

Caution

- Always return the machine to a service centre authorised by Philips for examination or repair. Do not attempt to repair the machine yourself, otherwise your guarantee becomes invalid.
- After unpacking the machine, never put the machine on its side. Always keep it in upright position, also during transport.
- Never put normal ground coffee or use torn pods in the pod holders of this machine, as this causes the pod holders to become blocked.
- Do not use the machine in combination with a transformer, as this could cause hazardous situations.
- Always put the machine on a flat and stable surface.
- Do not place the machine on a hotplate, directly next to a hot oven, heater or similar source of heat.
- Descale the machine at least every 3 months. Not doing so may cause the machine to stop working properly. In this case, repair is not covered under your guarantee.
- Do not use the machine at altitudes higher than 2200 metres above sea level.
- Do not use the machine at a temperature below 0°C. Water left in the machine may freeze and cause damage.
- Never pour any other liquid than clean cold water into the water reservoir.
- Never flush the machine or let it brew coffee when the spout is not in place.

- Flush the coffee machine with fresh water before you use it for the first time (see chapter ‘First use’). This causes the system to fill with water, which is essential for the machine to work properly.
- Never interrupt the descaling process.
- Never use a descaling agent based on mineral acids such as sulphuric acid, hydrochloric acid, sulphamic acid and acetic acid (e.g. vinegar). These descaling agents may damage the machine.
- The machine is intended for normal household use only. It is not intended for use in environments such as staff kitchens of shops, offices, farms or other work environments. Nor is it intended to be used by clients in hotels, motels, bed and breakfast and other residential environments.
- Do not disassemble the insulated jug.
- Never immerse the insulated jug in water or any other liquid, as this could cause water to enter between the walls of the jug.
- The insulated jug is not dishwasher-proof.
- When the jug is filled with coffee, keep it in upright position to prevent leakage.
- During brewing and until the light stops blinking, the filter holder is filled with hot coffee.

General description

- 1 1-cup pod holder
- 2 2-cup pod holder
- 3 Distribution disk
- 4 Collector ring
- 5 Drip tray
- 6 CALC light
- 7 Jug button
- 8 2-cup button
- 9 1-cup button
- 10 Water reservoir lid
- 11 Water reservoir
- 12 Filter holder lid
- 13 Filter holder
- 14 Insulated jug lid
- 15 Insulated jug
- 16 Measuring spoon

Electromagnetic fields

This Philips machine complies with all applicable standards and regulations regarding exposure to electromagnetic fields.

First use

The machine starts an automatic flushing cycle when you switch it on for the first time, no matter which button you press.

- 1 Put the plug in an earthed wall socket.
- 2 Remove the water reservoir from the machine and remove the lid from the water reservoir (Fig. 2).
- 3 Clean the water reservoir thoroughly in hot water, if necessary with some washing-up liquid.
- 4 Fill the water reservoir with clean cold water up to the MAX indication (Fig. 3).
- 5 Put the lid back onto the water reservoir and put the water reservoir back onto the machine (Fig. 4).
- 6 Place the 1-cup pod holder in the coffee machine. Close the lid and make sure it is properly locked (Fig. 5).
- 7 Remove the drip tray from the platform and put a bowl (with a capacity of at least 1 liter) or the jug under the coffee outflow (Fig. 6).
- 8 Press one of the buttons on the control panel. All three lights start flashing (Fig. 7).
- 9 The flushing cycle starts. During the flushing cycle the system fills itself with water from the water reservoir. The machine produces more noise than during a regular brewing cycle.
- 10 The machine switches off when the water tank is empty (Fig. 8).
- 11 After the first flushing cycle, clean the collector ring and the pod holder with hot water and some washing-up liquid or in the dishwasher. Rinse the insulated jug under the tap.

Brewing a jug of drip-filter coffee

- 1 Open the lid of the machine (Fig. 9).
 - 2 Remove the pod holder, if present (Fig. 10).
 - 3 Remove the drip tray, if present.
 - 4 Fill the water reservoir with clean cold water up to the level required for the number of cups of coffee you wish to brew and put the water reservoir back onto the machine (Fig. 11).
 - 5 Rinse the insulated jug with hot tap water to preheat it.
-
- Tip: To obtain the tastiest and hottest coffee, brew at least half a jug of coffee.
-
- 6 Place the filter holder on top of the insulated jug (Fig. 12).
 - 7 Open the lid of the filter holder.
 - 8 Put a paper filter size 102 in the filter holder. Make sure that you fold the sealed edges to ensure that the paper filter stays upright during brewing (Fig. 13).
 - 9 Use the measuring spoon to put the required amount of pre-ground coffee in the filter (Fig. 14).
-
- Tip: Use one measuring spoon of pre-ground coffee for each cup. Use a heaped measuring spoon for strong coffee and a level measuring spoon for mild coffee.
-
- 10 Close the lid of the filter holder.
 - 11 Slide the insulated jug on the platform of the machine (Fig. 15).
 - 12 Press the jug button to start the brewing process (Fig. 16).
 - The light in the jug button starts flashing and the brewing process starts. (Fig. 17)
 - When all the water from the water reservoir has passed through the filter, the light in the jug button goes out and the machine switches off automatically.
 - 13 You can now remove the insulated jug from the machine (Fig. 18).
 - 14 Remove the filter holder from the insulated jug (Fig. 19).
-
- Tip: You can place the filter holder on the drip tray to prevent coffee from leaking onto your worktop while you pour out coffee from the jug (Fig. 20).
-
- 15 Place the jug lid on the insulated jug and turn it to the keep-warm position (closed lock symbol) (Fig. 21).
 - 16 Push the lever of the jug lid to pour coffee into one or more cups. (Fig. 22)

Brewing pod coffee

Brewing one cup of pod coffee

- 1 Fill the water reservoir with clean cold water up to the MAX indication and put it back onto the machine (Fig. 3).
- Note: The MIN indication on the water reservoir indicates the minimum amount of water required for brewing pod coffee. Always fill the water reservoir beyond the MIN level.
- 2 Put the plug in an earthed wall socket.
 - 3 Open the lid of the machine by moving the lever upwards (Fig. 9).
 - 4 Place the lid on the platform of the machine (Fig. 23).
 - 5 Place one pod in the 1-cup pod holder with the convex side pointing downwards (Fig. 24).
- Note: Make sure that the pod holder is clean and the sieve in the center is not clogged, e.g. with loose coffee grounds.
- Note: Make sure that the coffee in the pod is distributed evenly and press the pod lightly into the pod holder.
- 6 Place the 1-cup pod holder in the machine and close the lid (Fig. 5).
 - 7 Place a cup on the drip tray (Fig. 25).
 - 8 Press the 1-cup button to brew coffee. (Fig. 26)
 - The button starts flashing and the machine starts heating up (Fig. 27).
 - When the heating-up process is finished, the machine starts brewing coffee (Fig. 28). After brewing, the machine switches off automatically.
 - 9 Remove the coffee pod after use by lifting the pod holder out of the machine and emptying it (Fig. 10).

Caution: Be careful when you do this, for there may still be some hot water/coffee on the coffee pod(s).

Caution: Never put normal ground coffee or use torn pods in the machine, as this causes it to become blocked.

Brewing two cups of pod coffee

- 1 To brew two cups of pod coffee, place the deeper 2-cup pod holder in the machine. Place two pods in the 2-cup pod holder (Fig. 29).
- 2 Press the 2-cup button to brew coffee (Fig. 30).
 - The button starts flashing and the machine starts heating up (Fig. 31).
 - When the heating-up process is finished, the machine starts brewing coffee (Fig. 32). After brewing, the machine switches off automatically.
- 3 Remove the coffee pods after use by lifting the pod holder out of the machine and emptying it (Fig. 33).

Note: Instead of two pods, you can also place a cappuccino pod, a hot chocolate pod or a special pod for a mug of strong coffee in the 2-cup pod holder and place a mug under the coffee spout. In this case, press the 1-cup button instead of the 2-cup button to brew your beverage.

Ordering accessories

To buy accessories or spare parts, visit www.shop.philips.com/service or go to your Philips dealer. You can also contact the Philips Consumer Care Center in your country (see the international warranty leaflet for contact details).

Cleaning the machine

Never immerse the machine in water or any other liquid.

Never clean the machine by flushing it with the lid open.

Cleaning the coffee machine

Warning: Always unplug the machine before you clean it.

- 1 Clean the outside of the machine with a moist cloth.
- 2 To prevent clogging, clean the pod holders regularly with hot water, some washing-up liquid and a washing-up brush. If you have used the 2-cup pod holder to brew cappuccino or hot chocolate, make sure to clean it thoroughly immediately after use to remove any milk residues.

Note: You can disassemble the pod holders for more thorough cleaning (Fig. 34).

- 3 Clean the collector ring, the pod holders, the drip tray, the water reservoir and the water reservoir lid in hot water, if necessary with some washing-up liquid. All detachable parts except the water reservoir can also be cleaned in the dishwasher (Fig. 35).
- 4 Clean the water distribution disk with a moist cloth. Be careful when you do this. Make sure that the rubber sealing ring does not get stuck under the edge of the water distribution disk. If it does, the coffee machine starts to leak.

Cleaning the insulated jug

Warning: Do not immerse the insulated jug in water or any other liquid and do not clean it in the dishwasher as this will cause damage to the jug.

- 1 To remove the jug lid, turn the lid anticlockwise to 'open' position and remove it (Fig. 36).
- 2 Clean the inside of the insulated jug with a soft brush, hot water and some washing-up liquid (Fig. 37).

Tip: To remove stubborn brown deposits, fill the jug with hot water and add a spoonful of baking soda. Let the baking soda do its work for some time.

- 3 After cleaning, rinse the insulated jug with fresh, hot water (Fig. 38).

Flushing the coffee machine

If you have not used the coffee machine for one day, flush it with clean cold water before you use it again. Flush the machine in the following way:

- 1 Fill the water reservoir with clean cold water up to the MAX indication and put it back onto the machine.
- 2 Put the 1-cup pod holder or the 2-cup pod holder in the machine without pod(s).
- 3 Put a bowl (with a capacity of at least 1000ml) or the jug under the coffee spout to collect the water.
- 4 Press the 2-cup button, wait until the machine has heated up and brewed an amount of hot water. Then press the 2-cup button several times until the water reservoir is empty.

Descaling the machine

When to descale

Scale builds up inside the machine during use. It is essential to descale the machine when the CALC light goes on.

Why to descale

Your reasons to descale:

- It prolongs the life of your coffee machine
- It ensures maximum cup volume
- It ensures maximum coffee temperature
- The machine produces less sound during brewing
- It prevents malfunctioning

If the descaling procedure is not performed correctly, scale residue remains behind in the machine. This causes scale to build up more quickly and may cause permanent and irreparable damage to the machine.

Use the correct descaler

Only citric acid-based descalers are suitable for descaling the machine. This type of descaler descales the machine without damaging it. For the correct amount, see under 'Descaling procedure' below. Each descaling mixture can be used only once. Use a new descaling mixture each time. We advise you to use the special SENSEO® Descaler (HD7012/HD7011/HD7006). Read the instruction leaflet in the package. For more information on why it is important to descale, how to descale or which descaler to use, visit our website at www.philips.com/descale-senseo.

Warning: Never use a descaler based on mineral acids such as sulphuric acid, hydrochloric acid, sulphamic acid and acetic acid (e.g. vinegar). These descalers may damage your coffee machine.

Descaling procedure

The descaling procedure consists of a descaling cycle and two flushing cycles. Do not interrupt the descaling cycle and do not switch off the machine before you have performed the two flushing cycles.

- 1 Fill the water reservoir with clean cold water up to the MAX indication and pour the water into a bowl (Fig. 39).
- 2 Mix 50 grams of citric acid with the water in the bowl. Stir until the powder has dissolved (Fig. 40).
- 3 Fill the water reservoir with the descaling mixture and place it back on the machine (Fig. 41).
- 4 Remove the drip tray. Put a bowl with a capacity of at least 1.5 liters under the spout to collect the descaling mixture (Fig. 6).
- 5 Place the 1-cup pod holder with a used coffee pod in it in the coffee machine. Close the lid and make sure it is properly locked.

Note: Always put a used coffee pod in the pod holder when you descale the machine. This pod serves as a 'filter' to prevent the sieve or hole in the pod holder from getting clogged with scale residue.

Warning: Make sure that the lid is closed properly and the lid lever is locked before you start descaling the machine.

- 6 Press the 1-cup button and the 2-cup button simultaneously.
- 7 The CALC light, the 1-cup button and the 2-cup button start flashing (Fig. 43) slowly.
 - During the descaling cycle, the water comes out of the machine in intervals. When the descaling mixture in the water reservoir has been used up, the 1-cup button and the 2-cup button start flashing quickly while the CALC light continues to flash slowly.
- 8 Empty the bowl and place it back.
- 9 To clean the water reservoir, rinse it thoroughly with cold clean tap water a few times (Fig. 44).
- 10 Fill the water reservoir with clean cold water up to the MAX indication and put it back onto the machine.
 - The 1-cup button and the 2-cup button light up continuously. The CALC light continues to flash slowly.
- 11 Press the 1-cup button and the 2-cup button simultaneously. The 1-cup button and the 2-cup button start flashing slowly. The CALC light continues to flash slowly.
 - During the flushing cycle, the water comes out of the machine in intervals. When the water reservoir is empty, the 1-cup button and the 2-cup button start flashing quickly while the CALC light continues to flash slowly.
- 12 When all the water in the water reservoir has been used up, the 1-cup button and the 2-cup button start flashing quickly while the CALC light continues to flash slowly.
- 13 Repeat steps 8 to 12.
 - When all the water in the water reservoir has been used up, the machine switches off and all the lights go out to indicate that the descaling procedure has ended.

Troubleshooting

This chapter summarizes the most common problems you could encounter with the appliance. If you are unable to solve the problem with the information below, visit www.philips.com/support for a list of frequently asked questions or contact the Consumer Care Center in your country.

Problem	Possible cause	Solution
My coffee cup overflows with cold coffee	You did not flush the machine before first use.	Flush the machine before first use. When the machine has emptied a complete water reservoir, you can start to make a new coffee.
The light in the button you pressed flashes slowly.	The machine is heating up.	If heating up takes longer than two minutes, contact the Philips Consumer Care Center in your country.
	When you are brewing drip coffee, the light flashes slowly during brewing.	The brewing cycle last approximately 90 seconds, wait until the brewing cycle has finished.
The light in the button you pressed flashes quickly.	There is not enough water in the water reservoir.	Fill the water reservoir.
	The float in the water reservoir is stuck.	Empty the water reservoir and shake it a few times to release the float. Clean the water reservoir with hot water and some washing-up liquid or in the dishwasher. If this does not help, descale the machine (see chapter 'Descaling').
The CALC light is on continuously.	You need to descale the machine.	Perform the descaling procedure as described in chapter 'Descaling'.
I cannot close the lid properly.	Perhaps a used coffee pod is sticking to the water distribution disk.	If this is the case, remove the used pod.

Problem	Possible cause	Solution
The coffee machine produces less pod coffee than before.	Perhaps the sieve in the center of the pod holder is clogged.	If the sieve is clogged, use a washing-up brush to unclog the sieve. If you cannot unclog it properly with the washing-up brush, put the pod holder in the machine and descale the machine. Descal the machine (see chapter 'Descaling').
The temperature of the coffee decreases quickly.	You use the wrong type of cups.	Use thin-walled cups. Thin-walled cups absorb less heat from the coffee than thick-walled cups.
	The cups are cold.	Rinse the cups with hot water. You can preheat the coffee machine and cup by brewing a cup of hot water first without placing a coffee pod in the pod holder.
	You have added cold milk to the coffee.	Do not use cold milk straight from the refrigerator.
The filter coffee is not hot enough.	You have not brewed a full jug.	Coffee stays hot longer if you brew a full jug of coffee to ensure that the coffee has the right temperature.
	You have not removed the pod holder.	If you do not remove the pod holder, this can lead to a longer brewing time.
	You have not preheated the insulated jug.	Rinse the insulated jug with hot tap water to preheat it.
	You have added cold milk to the coffee.	Do not use cold milk straight from the refrigerator.
	Coffee grounds end up in the insulated jug.	Your paper filter may have collapsed during brewing.
The coffee is weaker than expected.	There may have been some water in the insulated jug when you started brewing filter coffee.	Always make sure that there is no water in the jug before you start brewing coffee.
	You have not used enough pre-ground coffee.	Use one heaped measuring spoon of pre-ground coffee per cup for stronger coffee.
	Water leaks from the coffee machine.	You overfilled the water reservoir.
I cannot open the lid.	The sieve in the center of the pod holder may be clogged.	Check the pod holder. If the sieve is clogged, use a washing-up brush to unclog the sieve. If you cannot clean it properly with the washing-up brush, put the pod holder in the machine and descale the machine (see chapter 'Descaling').
	The sealing ring may be stuck under the edge of the distribution disk.	Check if the sealing ring is stuck under the edge of the distribution disk. If it is, pull it out from under the distribution disk carefully.
	You forgot to place the collector ring.	If you forget to place the collector ring, water comes out of the lid of the machine instead of passing through the pod.
	A vacuum has formed under the lid.	Switch of the coffee machine. Pull up the lever and wait 24 hours before you open the lid. You may need to use some force.
It takes longer than before to brew filter coffee.		Always make sure the pod holders are clean and the center of the sieve is not clogged to prevent a vacuum.
	You have to descale the machine.	To descale the machine, follow the instructions in chapter 'Descaling'.
There is still water left in the water tank, after brewing filter coffee.	You left a pod holder in the machine.	Remove the pod holder.
	This is normal.	The filter coffee brewing process does not use up all the water in the water tank. This is normal.

Warranty and support

If you need information or support, please visit www.philips.com/support or read the international warranty leaflet.

Recycling

- This symbol means that this product shall not be disposed of with normal household waste (2012/19/EU) (Fig. 45).
- Follow your country's rules for the separate collection of electrical and electronic products. Correct disposal helps prevent negative consequences for the environment and human health.

Deutsch

Einführung

Herzlichen Glückwunsch zu Ihrem Kauf und willkommen bei Philips! Um die Unterstützung von Philips optimal nutzen zu können, sollten Sie Ihr Produkt unter www.philips.com/welcome registrieren.

Sauberes kaltes Wasser

Verwenden Sie täglich sauberes kaltes Wasser. War die Kaffeemaschine einen Tag lang nicht in Gebrauch, lassen Sie vor dem nächsten Aufbrühen sauberes kaltes Wasser durchlaufen. Um die Maschine durchzuspülen, füllen Sie den Wassertank mit sauberem kaltem Wasser, stellen Sie eine Schüssel (mit einem Volumen von mindestens 1500 ml) oder zwei Tassen unter den Kaffeeauslauf, und drücken Sie mehrmals die 2-Tassen-Taste, damit heißes Wasser durchläuft, bis der Wassertank leer ist.

Frischer Filterkaffee

Um eine Tasse bekömmlichen Kaffee zu brühen, verwenden Sie gemahlene Kaffee in guter Qualität. Verwenden Sie immer Papierfiltertüten der Größe 102.

Sie können in der Kanne bis zu 7 Tassen Kaffee brühen.

Frische Kaffeepads

Verwenden Sie frische, hochwertige Kaffeepads in dieser Maschine, um einen vollen, abgerundeten Geschmack zu erhalten. Damit die Pads länger frisch bleiben, sollten Sie sie in einem entsprechenden Behälter aufbewahren.

Wichtig

Lesen Sie diese Bedienungsanleitung vor dem Gebrauch der Maschine aufmerksam durch, und bewahren Sie sie für eine spätere Verwendung auf.

Gefahr

- Tauchen Sie die Maschine niemals in Wasser oder andere Flüssigkeiten.

Warnhinweis

- Die Netzsteckdose muss schutzgeerdet sein.
- Prüfen sie, bevor Sie das Gerät anschließen, ob die Spannungsangabe am Boden des Geräts mit der örtlichen Netzspannung übereinstimmt.
- Diese Maschine kann von Kindern ab 8 Jahren und Personen mit eingeschränkten physischen, sensorischen oder geistigen Fähigkeiten oder ohne Erfahrung und besondere Kenntnisse verwendet werden, wenn sie beim Gebrauch des Geräts beaufsichtigt werden oder in den sicheren Gebrauch des Geräts unterwiesen wurden und die verbundenen Gefahren verstanden haben. Kinder dürfen nicht mit der Maschine spielen. Reinigung und Pflege dürfen nicht von Kindern durchgeführt werden, sofern sie nicht älter als 8 Jahre sind und beaufsichtigt werden.

- Sorgen Sie dafür, dass Kinder unter 8 Jahren keinen Zugang zu der Maschine und zum Kabel der Maschine haben.
- Verwenden Sie die Maschine nicht, wenn der Netzstecker, das Netzkabel oder die Maschine selbst defekt oder beschädigt ist.
- Ist das Netzkabel defekt, darf es nur von einem Philips Service-Center, einer von Philips autorisierten Werkstatt oder einer ähnlich qualifizierten Person durch ein Original-Ersatzkabel ausgetauscht werden, um Gefährdungen zu vermeiden.

Achtung

- Geben Sie das Gerät zur Überprüfung bzw. Reparatur stets an ein Philips Service-Center. Versuchen Sie nicht, das Gerät selbst zu reparieren, da die Garantie sonst verfällt.
- Legen Sie die Maschine nach dem Auspacken nie auf der Seite ab. Halten Sie sie stets aufrecht, auch beim Transport.
- Verwenden Sie keinesfalls normalen gemahlene Kaffee oder beschädigte Pads in den Padhaltern dieser Maschine, da dies die Padhalter verstopfen würde.
- Aus Sicherheitsgründen darf das Gerät nicht mit einem Transformator betrieben werden.
- Stellen Sie die Maschine auf eine ebene und stabile Fläche.
- Stellen Sie die Maschine nicht auf eine Warmhalteplatte, direkt neben einen heißen Ofen, eine Heizung oder eine ähnliche Wärmequelle.
- Entkalken Sie die Maschine mindestens alle drei Monate. Andernfalls kann der ordnungsgemäße Betrieb der Maschine nicht gewährleistet werden. In diesem Fall ist auch die Reparatur von der Gewährleistung ausgeschlossen.
- Benutzen Sie das Gerät nicht in Höhenlagen von über 2200 m.
- Benutzen Sie das Gerät nicht bei Temperaturen unter 0 °C. In der Maschine verbleibendes Wasser kann gefrieren und Schäden verursachen.
- Füllen Sie niemals eine andere Flüssigkeit als sauberes kaltes Wasser in den Wassertank.
- Spülen Sie die Maschine nicht durch, und bereiten Sie keinen Kaffee zu, solange der Kaffeeauslauf nicht eingesetzt ist.
- Spülen Sie die Kaffeemaschine mit frischem Wasser durch, bevor Sie sie das erste Mal verwenden (siehe Kapitel „Erste Anwendung“). Dabei füllt sich das System mit Wasser. Dies ist für den ordnungsgemäßen Betrieb der Maschine entscheidend.
- Unterbrechen Sie nie den Entkalkungsvorgang.
- Verwenden Sie keine Entkalker auf Basis von Mineralsäuren, beispielsweise Schwefel-, Salz-, Sulfamin- oder Essigsäure (z. B. Essig). Diese Entkalker könnten die Maschine beschädigen.
- Die Maschine ist nur für den normalen Hausgebrauch bestimmt. Sie ist nicht für den Gebrauch in Personalküchen, Büros, landwirtschaftlichen Betrieben oder anderen gewerblichen Umgebungen vorgesehen. Ebenso ist sie nicht für die Nutzung durch Kunden in Hotels, Motels, Unterkünften mit Frühstücksangebot oder anderen Unterkünften bestimmt.
- Nehmen Sie die isolierte Thermo-Kanne nicht auseinander.
- Tauchen Sie die isolierte Thermo-Kanne niemals in Wasser oder eine andere Flüssigkeit, da dadurch Wasser zwischen die Wände der Thermo-Kanne gelangen kann.
- Die Thermo-Kanne ist nicht spülmaschinenfest.
- Halten Sie die gefüllte Thermo-Kanne senkrecht, damit sie nicht tropft.
- Während des Brühens bis zum Beenden des Blinkens ist der Filterhalter mit heißem Kaffee gefüllt.

Allgemeine Beschreibung

- 1 Padhalter für 1 Tasse
- 2 Padhalter für 2 Tassen
- 3 Sprühkopf
- 4 Sammelring
- 5 Abtropfschale
- 6 CALC-Anzeige
- 7 Kannentaste
- 8 2-Tassen-Taste
- 9 1-Tasse-Taste
- 10 Deckel des Wasserbehälters
- 11 Wasserbehälter
- 12 Deckel des Filterhalters
- 13 Filterhalter
- 14 Deckel der isolierten Thermo-Kanne
- 15 Isolierte Thermo-Kanne
- 16 Messlöffel

Elektromagnetische Felder

Dieses Philips Gerät erfüllt sämtliche Normen und Vorschriften bezüglich der Exposition in elektromagnetischen Feldern.

Erste Anwendung

Die Maschine beginnt führt einen automatischen Durchspülvorgang durch, wenn Sie sie zum ersten Mal einschalten. Dies ist unabhängig von der gedrückten Taste.

- 1 Stecken Sie den Netzstecker in eine geerdete Steckdose.
- 2 Entfernen Sie den Wasserbehälter von der Maschine, und nehmen Sie den Deckel des Wasserbehälters (Abb. 2) ab.
- 3 Reinigen Sie den Wasserbehälter gründlich in heißem Wasser, dem Sie bei Bedarf etwas Spülmittel zufügen können.
- 4 Füllen Sie den Wasserbehälter bis zur Markierung MAX (Abb. 3) mit klarem kaltem Wasser.
- 5 Setzen Sie den Deckel zurück auf den Wasserbehälter, und setzen Sie den Wasserbehälter wieder in die Maschine (Abb. 4) ein.
- 6 Setzen Sie den 1-Tassen-Padhalter in die Kaffeemaschine ein. Schließen Sie den Deckel, und stellen Sie sicher, dass er fest verschlossen (Abb. 5) ist.
- 7 Entfernen Sie die Abtropfschale von der Plattform, und setzen Sie eine Schüssel (mit einem Fassungsvermögen von mindestens 1 Liter) oder die Kanne unter den Kaffeeausguss (Abb. 6).
- 8 Drücken Sie eine der Tasten auf dem Bedienfeld. Alle drei Leuchten beginnen zu blinken (Abb. 7).
- 9 Der Durchspülvorgang beginnt. Während des Durchspülvorgangs füllt sich das System mit Wasser aus dem Wasserbehälter. Die Maschine erzeugt lautere Geräusche als während des normalen Brühvorgangs.

- 10 Wenn der Wassertank leer (Abb. 8) ist, schaltet sich die Maschine aus.
- 11 Reinigen Sie nach dem ersten Durchspülen den Sammelring und den Padhalter mit heißem Wasser und etwas Spülmittel oder im Geschirrspüler. Spülen Sie die Thermo-Kanne unter fließendem Wasser ab.

Eine Kanne Filterkaffee brühen

- 1 Öffnen Sie den Deckel der Kaffeemaschine (Abb. 9).
- 2 Entfernen Sie den Padhalter, sofern dieser vorhanden (Abb. 10) ist.
- 3 Entnehmen Sie die Tropfschale, sofern vorhanden.
- 4 Füllen Sie den Wasserbehälter mit klarem kaltem Wasser bis zu der Höhe entsprechend der gewünschten Anzahl Tassen Kaffee, und setzen Sie den Behälter wieder in die Maschine (Abb. 11) ein.
- 5 Spülen Sie die Thermo-Kanne zum Vorwärmen mit heißem Leitungswasser aus.

Tipp: Das beste Aroma und den heißesten Kaffee erhalten Sie, wenn Sie mindestens eine halbe Kanne Kaffee brühen.

- 6 Setzen Sie den Filterhalter auf die Thermo-Kanne (Abb. 12) auf.
- 7 Öffnen Sie den Deckel des Filterhalters.
- 8 Setzen Sie eine Papierfiltertüte der Größe 102 in den Filterhalter ein. Falten Sie die geprägten Ränder um, um sicherzustellen, dass die Filtertüte während des Brühvorgangs (Abb. 13) aufrecht stehen bleibt.
- 9 Geben Sie mithilfe des Messlöffels die erforderliche Menge gemahlene Kaffee in den Filter (Abb. 14).

Tipp: Nehmen Sie einen gestrichenen Messlöffel gemahlene Kaffee pro Tasse. Nehmen Sie einen gehäufteten Messlöffel für starken Kaffee und einen gestrichenen Messlöffel für milden Kaffee.

- 10 Schließen Sie den Deckel des Filterhalters.
- 11 Schieben Sie die Thermo-Kanne auf die Platte der Maschine (Abb. 15).
- 12 Drücken Sie die Kannentaste, um den Brühvorgang (Abb. 16) zu beginnen.
 - Die Kannentaste beginnt zu blinken, und der Brühvorgang beginnt (Abb. 17).
 - Wenn sämtliches Wasser aus dem Wasserbehälter den Filter durchlaufen hat, erlischt die Kannentaste, und die Maschine wird automatisch ausgeschaltet.
- 13 Sie können die Thermo-Kanne nun von der Maschine (Abb. 18) entfernen.
- 14 Nehmen Sie den Filterhalter von der Thermo-Kanne (Abb. 19) ab.

Tipp: Sie können den Filterhalter auf die Abtropfschale stellen, damit kein Kaffee auf Ihre Arbeitsfläche fließt, während Sie Kaffee aus der Kanne (Abb. 20) eingießen.

- 15 Setzen Sie den Deckel auf die Thermo-Kanne auf, und drehen Sie ihn in die Warmhalteposition (Symbol des geschlossenen Schlosses) (Abb. 21).
- 16 Drücken Sie den Hebel des Kannendeckels, um Kaffee in Tassen (Abb. 22) einzugießen.

Kaffee mit Kaffeepads brühen

Eine Tasse Kaffee mit einem Kaffeepad brühen

- 1 Füllen Sie den Wasserbehälter bis zur Markierung MAX mit klarem kaltem Wasser, und setzen Sie ihn wieder auf die Maschine (Abb. 3).
Hinweis: Die MIN-Anzeige auf dem Wasserbehälter weist auf die Mindestmenge Wasser hin, die für das Aufbrühen von Kaffee erforderlich ist. Füllen Sie den Wasserbehälter immer bis über die MIN-Anzeige hinaus.

- 2 Stecken Sie den Netzstecker in eine geerdete Steckdose.
- 3 Öffnen Sie den Deckel der Maschine, indem Sie den Hebel aufwärts (Abb. 9) bewegen.
- 4 Setzen Sie die Abtropfschale auf die Platte der Maschine (Abb. 23).
- 5 Setzen Sie ein Kaffeepad mit der konvexen Seite nach unten (Abb. 24) in den Einzeltassen-Padhalter.

Hinweis: Vergewissern Sie sich, dass der Padhalter sauber und das Sieb in der Mitte nicht verstopft ist, z. B. durch loses Kaffeepulver.

Hinweis: Achten Sie darauf, dass der Kaffee in den Pads gleichmäßig verteilt ist, und drücken Sie die Pads im Padhalter leicht an.

- 6 Setzen Sie den Einzeltassen-Padhalter in die Maschine ein, und schließen Sie den Deckel (Abb. 5).
- 7 Stellen Sie eine Tasse auf die Abtropfschale (Abb. 25).
- 8 Drücken Sie die 1-Tasse-Taste, um Kaffee (Abb. 26) zu brühen.
 - Die Taste beginnt zu blinken, und die Maschine wird aufgeheizt (Abb. 27).
 - Sobald der Heizvorgang abgeschlossen ist, beginnt die Maschine, Kaffee (Abb. 28) zu brühen. Nach dem Brühen schaltet sich das Gerät automatisch aus.
- 9 Nehmen Sie nach Gebrauch den Padhalter aus dem Gerät, und entsorgen (Abb. 10) Sie das Kaffeepad.

Achtung: Seien Sie dabei vorsichtig. Es könnte sich noch heißes Wasser oder Kaffee auf den Kaffeepads befinden.

Achtung: Verwenden Sie keinesfalls normalen gemahlene Kaffee oder beschädigte Pads in Ihrer Kaffeepadmaschine, da dies das Gerät verstopfen würde.

Zwei Tassen Kaffee mit Kaffeepads brühen

- 1 Um zwei Tassen Kaffee mit Kaffeepads zu brühen, setzen Sie den tieferen Padhalter für 2 Tassen in die Maschine ein. Legen Sie zwei Pads in den Padhalter für 2 Tassen (Abb. 29).
- 2 Drücken Sie die 2-Tassen-Taste, um Kaffee zu brühen (Abb. 30).
 - Die Taste beginnt zu blinken, und die Maschine wird aufgeheizt (Abb. 31).
 - Sobald der Heizvorgang abgeschlossen ist, beginnt die Maschine, Kaffee zu brühen (Abb. 32). Nach dem Brühen schaltet sich das Gerät automatisch aus.
- 3 Nehmen Sie nach Gebrauch den Padhalter aus dem Gerät, und entsorgen (Abb. 33) Sie die Kaffeepads.

Hinweis: Anstelle von zwei Pads können Sie auch ein Pad für Cappuccino oder Kakao oder ein Spezialpad für starken Kaffee in den Padhalter für 2 Tassen legen und eine Tasse unter den Kaffeeauslauf stellen. Drücken Sie in diesem Fall die 1-Tasse-Taste anstelle der 2-Tassen-Taste, um das Getränk zu brühen.

Bestellen von Zubehör

Um Zubehör oder Ersatzteile zu kaufen, gehen Sie auf www.shop.philips.com/service, oder suchen Sie Ihren Philips Händler auf. Sie können sich auch an ein Philips Service-Center in Ihrem Land wenden. Die Kontaktdaten finden Sie in der internationalen Garantieschrift.

Die Maschine reinigen

Tauchen Sie die Maschine niemals in Wasser oder andere Flüssigkeiten.

Lassen Sie die Kaffeemaschine auf keinen Fall zur Reinigung bei geöffnetem Deckel durchlaufen.

Die Kaffeepadmaschine reinigen

Warnhinweis: Ziehen Sie vor dem Reinigen des Geräts stets den Netzstecker aus der Steckdose.

- 1 Reinigen Sie die Außenwände des Geräts mit einem feuchten Tuch.
- 2 Um Verstopfungen zu vermeiden, reinigen Sie die Padhalter regelmäßig mit heißem Wasser, etwas Spülmittel und einer Spülbürste. Wenn Sie den Padhalter für 2 Tassen zum Brühen von Cappuccino oder Kakao verwendet haben, reinigen Sie ihn sofort anschließend, um Milchrückstände zu beseitigen.

Hinweis: Sie können die Padhalter zur gründlicheren Reinigung (Abb. 34) auch in ihre Einzelteile zerlegen.

- 3 Reinigen Sie den Sammelring, die Padhalter, die Abtropfschale, den Wasserbehälter und den Deckel des Wasserbehälters in heißem Wasser, bei Bedarf mit etwas Spülmittel. Alle abnehmbaren Teile mit Ausnahme des Wasserbehälters können auch in der Spülmaschine (Abb. 35) gereinigt werden.
- 4 Reinigen Sie den Sprühkopf mit einem feuchten Tuch. Seien Sie dabei vorsichtig. Achten Sie darauf, den Dichtungsring nicht unter dem Rand des Sprühkopfs einzuklemmen. Falls dies geschieht, tritt aus der Kaffeemaschine Wasser aus.

Die Thermo-Kanne reinigen

Warnhinweis: Tauchen Sie die Thermo-Kanne nicht in Wasser oder andere Flüssigkeiten, und reinigen Sie sie nicht in der Spülmaschine, da dies die Kanne beschädigen kann.

- 1 Um die Deckel der Kanne zu entfernen, drehen Sie ihn gegen den Uhrzeigersinn in die geöffnete Position, und nehmen Sie ihn ab (Abb. 36).
- 2 Reinigen Sie das Innere der Thermo-Kanne mit einer weichen Bürste, heißem Wasser und etwas Spülmittel (Abb. 37).

Tipp: Hartnäckige Rückstände entfernen Sie, indem Sie die Kanne mit heißem Wasser füllen und einen Löffel Backpulver hineingeben. Lassen Sie das Backpulver eine Weile einwirken.

- 3 Spülen Sie die Thermo-Kanne nach der Reinigung mit klarem heißem Wasser (Abb. 38) aus.

Die Kaffeepadmaschine durchspülen

War die Kaffeemaschine einen Tag lang nicht in Gebrauch, lassen Sie vor dem nächsten Aufbrühen klares kaltes Wasser durchlaufen. Lassen Sie das Gerät folgendermaßen durchlaufen:

- 1 Füllen Sie den Wasserbehälter bis zur Markierung MAX mit sauberem kaltem Wasser, und setzen Sie ihn wieder auf das Gerät.
- 2 Setzen Sie den Padhalter für 1 Tasse oder den Padhalter für 2 Tassen ohne Pads in das Gerät ein.
- 3 Stellen Sie ein Gefäß mit einem Fassungsvermögen von mindestens 1000 ml oder die Kanne unter den Kaffeeauslauf, um das Wasser aufzufangen.
- 4 Drücken Sie die 2-Tassen-Taste, und warten Sie, bis die Maschine aufgewärmt wurde und eine gewisse Menge heißes Wasser gebrüht hat. Drücken Sie die 2-Tassen-Taste dann mehrmals, bis der Wasserbehälter leer ist.

Entkalken der Maschine

Wann entkalken?

Im Laufe der Zeit lagert sich Kalk im Gerät ab. Wenn die CALC-Anzeige aufleuchtet, müssen Sie unbedingt das Gerät entkalken.

Warum entkalken?

Die folgenden Gründe sprechen für das Entkalken:

- Es verlängert die Nutzungsdauer Ihrer Kaffeemaschine.
- Es stellt die maximale Füllmenge pro Tasse sicher.

- Es stellt die maximale Kaffeetemperatur sicher.
- Die Maschine verursacht während des Brühens weniger Geräusche.
- Es verhindert Fehlfunktionen.

Wird der Entkalkungsvorgang nicht korrekt ausgeführt, bleiben Kalkrückstände im Gerät zurück. Dadurch kann sich Kalk schneller ablagern und zu dauerhaften und irreparablen Schäden an der Kaffeemaschine führen.

Den richtigen Entkalker verwenden

Zum Entkalken der Maschine dürfen nur Entkalker auf Basis von Zitronensäure verwendet werden. Diese beschädigen das Gerät nicht. Die richtige Menge finden Sie weiter unten unter „Entkalkungsvorgang“. Die Entkalkermischung kann jeweils nur einmal verwendet werden. Verwenden Sie jedes Mal eine neue Entkalkermischung. Wir empfehlen Ihnen die Verwendung des speziellen SENSEO® Entkalkers (HD7012/HD7011/HD7006). Lesen Sie die Anweisung in der Verpackung. Weitere Informationen über die Wichtigkeit des Entkalkens, Anweisungen zum Entkalken oder den richtigen Entkalker finden Sie auf unserer Website www.philips.com/descale-senseo.

Warnhinweis: Verwenden Sie keine Entkalker auf Basis von Mineralsäuren, beispielsweise Schwefel-, Salz-, Sulfamin- oder Essigsäure (z. B. Essig). Diese Entkalker könnten Ihre Kaffeemaschine beschädigen.

Entkalkungsvorgang

Der Entkalkungsvorgang besteht aus einem Entkalkungszyklus und zwei Spülzyklen. Unterbrechen Sie den Entkalkungszyklus nicht, und schalten Sie die Maschine nicht vor Ablauf der zwei Spülzyklen aus.

- 1 Füllen Sie den Wasserbehälter bis zur Markierung MAX mit klarem kaltem Wasser, und gießen Sie das Wasser in eine Schüssel (Abb. 39).
- 2 Mischen Sie 50 Gramm Zitronensäure mit dem Wasser in der Schüssel. Rühren Sie die Flüssigkeit um, bis sich das Pulver aufgelöst (Abb. 40) hat.
- 3 Füllen Sie den Wasserbehälter mit der Entkalkermischung, und setzen Sie ihn wieder in die Maschine (Abb. 41) ein.
- 4 Entnehmen Sie die Abtropfschale. Stellen Sie ein Gefäß mit einem Fassungsvermögen von mindestens 1,5 l unter den Kaffeeauslauf, um die Mischung (Abb. 6) aufzufangen.
- 5 Setzen Sie den Padhalter für 1 Tasse mit einem gebrauchten Kaffeepad in die Kaffeemaschine ein. Schließen Sie den Deckel, und stellen Sie sicher, dass er fest verschlossen ist.

Hinweis: Legen Sie beim Entkalken des Geräts immer ein gebrauchtes Kaffeepad in den Padhalter. Dieses Pad dient als Filter und verhindert, dass Kalkrückstände das Sieb im Padhalter verstopfen.

Warnhinweis: Vergewissern Sie sich vor dem Entkalken der Maschine, dass der Deckel richtig geschlossen und der Verschlusshebel des Deckels fest verschlossen ist.

- 6 Drücken Sie gleichzeitig die 1-Tasse-Taste und die 2-Tassen-Taste.
- 7 Die CALC-Anzeige, die 1-Tassen-Taste und die 2-Tassen-Taste blinken (Abb. 43) langsam.
 - Während des Entkalkungsvorgangs kommt das Wasser in regelmäßigen Abständen aus der Maschine. Wenn die Entkalkermischung im Wasserbehälter aufgebraucht ist, blinken die 1-Tassen-Taste und die 2-Tassen-Taste schnell, während die CALC-Anzeige weiterhin langsam blinkt.
- 8 Leeren Sie die Schüssel, und stellen Sie sie wieder zurück.
- 9 Um den Wasserbehälter zu reinigen, spülen Sie ihn mehrmals (Abb. 44) gründlich mit kaltem Leitungswasser ab.
- 10 Füllen Sie den Wasserbehälter bis zur Markierung MAX mit sauberem kaltem Wasser, und setzen Sie ihn wieder auf das Gerät.
 - Die 1-Tasse-Taste und die 2-Tassen-Taste leuchten kontinuierlich. Die CALC-Anzeige blinkt weiterhin langsam.
- 11 Drücken Sie gleichzeitig die 1-Tasse-Taste und die 2-Tassen-Taste. Die 1-Tassen-Taste und die 2-Tassen-Taste blinken langsam. Die CALC-Anzeige blinkt weiterhin langsam.
 - Während des Entkalkungsvorgangs kommt das Wasser in regelmäßigen Abständen aus der Maschine. Wenn der Wasserbehälter leer ist, blinken die 1-Tassen-Taste und die 2-Tassen-Taste schnell, während die CALC-Anzeige weiterhin langsam blinkt.
- 12 Wenn das Wasser im Wasserbehälter vollständig aufgebraucht wurde, blinken die 1-Tassen-Taste und die 2-Tassen-Taste schnell, während die CALC-Anzeige weiterhin langsam blinkt.
- 13 Wiederholen Sie die Schritte 8 bis 12.
 - Wenn das Wasser im Wasserbehälter vollständig aufgebraucht wurde, schaltet sich die Maschine aus, und alle Lichter erlöschen, um anzuzeigen, dass der Entkalkungsvorgang abgeschlossen wurde.

Fehlerbehebung

In diesem Kapitel sind die häufigsten Probleme aufgeführt, die beim Gebrauch des Geräts auftreten können. Sollten Sie ein Problem mithilfe der nachstehenden Informationen nicht beheben können, besuchen Sie unsere Website unter www.philips.com/support, und schauen Sie in der Liste „Häufig gestellte Fragen“ nach, oder wenden Sie sich an das Philips Service-Center in Ihrem Land.

Problem	Mögliche Ursache	Die Lösung
Meine Kaffeetasse läuft mit kaltem Kaffee über.	Sie haben die Maschine vor dem ersten Gebrauch nicht durchgespült.	Spülen Sie die Maschine vor dem ersten Gebrauch durch. Wenn die Maschine den Wasserbehälter vollständig entleert hat, können Sie einen frischen Kaffee zubereiten.
Die gedrückte Taste blinkt langsam.	Die Maschine heizt sich auf.	Wenn der Aufheizvorgang mehr als zwei Minuten in Anspruch nimmt, kontaktieren Sie das Philips Service-Center in Ihrem Land.
	Wenn Sie Filterkaffee brühen, blinkt die Leuchte währenddessen langsam.	Der Brühzyklus dauert zirka 90 Sekunden. Warten Sie, bis der Brühzyklus abgeschlossen ist.
Die gedrückte Taste blinkt schnell.	Es befindet sich nicht genug Wasser im Wasserbehälter.	Befüllen Sie den Wasserbehälter.
	Der Schwimmer ist im Wasserbehälter eingeklemmt.	Entleeren Sie den Wasserbehälter, und schütteln Sie ihn einige Male, um den Schwimmer zu lösen. Reinigen Sie den Wasserbehälter mit heißem Wasser und etwas Spülmittel oder in der Spülmaschine. Wenn dies nicht hilft, entkalken Sie die Maschine (siehe Kapitel „Entkalken“).
Die CALC-Anzeige leuchtet ununterbrochen.	Sie müssen die Maschine entkalken.	Führen Sie den Entkalkungsvorgang wie im Kapitel „Entkalken“ beschrieben durch.
Der Deckel lässt sich nicht ordnungsgemäß schließen.	Möglicherweise klebt ein gebrauchtes Kaffeepad am Sprühkopf.	Ist dies der Fall, entfernen Sie das Pad.
Das Gerät produziert weniger Kaffee aus Kaffeepads als zuvor.	Das Sieb in der Mitte des Padhalters ist möglicherweise verstopft.	Wenn das Sieb verstopft ist, reinigen Sie es mit einer Spülbürste. Wenn Sie es mit der Spülbürste nicht ordnungsgemäß reinigen können, setzen Sie den Padhalter in die Maschine, und entkalken sie diese. Entkalken Sie das Gerät (siehe Kapitel „Entkalken“).
Die Temperatur des Kaffee in der Tasse geht schnell zurück.	Sie verwenden eine ungeeignete Art von Tassen.	Verwenden Sie dünnwandige Tassen. Diese entziehen dem Kaffee weniger Wärme als dickwandige Tassen.
	Die Tassen sind kalt.	Spülen Sie die Tassen mit heißem Wasser aus. Sie können die Kaffeemaschine und die Tasse durch vorheriges Zubereiten einer Tasse heißen Wassers vorwärmen, ohne ein Kaffeepad in den Padhalter einzusetzen.
	Sie haben kalte Milch in den Kaffee gegeben.	Verwenden Sie keine kalte Milch direkt aus dem Kühlschrank.
Der Filterkaffee ist nicht heiß genug.	Sie haben keine ganze Kanne gebrüht.	Kaffee bleibt länger heiß, wenn Sie eine ganze Kanne Kasse brühen, damit der Kaffee die richtige Temperatur hat.
	Sie haben den Padhalter nicht entfernt.	Wenn Sie den Padhalter nicht entfernen, kann die Zubereitungszeit länger ausfallen.
	Sie haben die Thermo-Kanne nicht vorgewärmt.	Spülen Sie die Thermo-Kanne zum Vorwärmen mit heißem Leitungswasser aus.
	Sie haben kalte Milch in den Kaffee gegeben.	Verwenden Sie keine kalte Milch direkt aus dem Kühlschrank.
In der Thermo-Kanne befindet sich Kaffeesatz.	Möglicherweise ist der Papierfilter während des Brühvorgangs zusammengefallen.	Um ein Zusammenfallen des Papierfilters zu verhindern, falten Sie die geprägten Ränder.

Problem	Mögliche Ursache	Die Lösung
Der Kaffee ist dünner als erwartet.	Möglicherweise befand sich etwas Wasser in der Thermo-Kanne, als Sie mit dem Brühen des Filterkaffees begannen.	Stellen Sie stets sicher, dass sich kein Wasser in der Kanne befindet, bevor Sie Kaffee zubereiten.
	Sie haben nicht genügend gemahlene Kaffee verwendet.	Nehmen Sie einen gehäuften Messlöffel gemahlene Kaffee pro Tasse für einen stärkeren Kaffee.
Wasser tropft aus dem Gerät.	Sie haben den Wasserbehälter überfüllt.	Füllen Sie den Wasserbehälter immer nur bis zur Markierung MAX.
	Das Sieb in der Mitte des Padhalters ist möglicherweise verstopft.	Überprüfen Sie den Padhalter. Wenn das Sieb verstopft ist, reinigen Sie es mit einer Spülbürste. Wenn Sie es mit der Spülbürste nicht ordnungsgemäß reinigen können, setzen Sie den Padhalter in die Maschine, und entkalken sie diese (siehe Kapitel „Entkalken“).
	Der Dichtungsring ist möglicherweise unter dem Rand des Sprühkopfes eingeklemmt.	Überprüfen Sie, ob der Dichtungsring unter dem Rand des Sprühkopfes eingeklemmt ist. Ist das der Fall, ziehen Sie ihn vorsichtig vom Sprühkopf frei.
	Sie haben vergessen, den Sammelring einzusetzen.	Wenn Sie den Sammelring nicht einsetzen, tritt Wasser aus dem Deckel der Maschine aus, anstatt durch das Pad zu fließen.
Ich kann den Deckel nicht öffnen.	Unter dem Deckel hat sich ein Vakuum gebildet.	Schalten Sie die Kaffeemaschine aus. Ziehen Sie den Hebel nach oben, und warten Sie 24 Stunden, bevor Sie den Deckel öffnen. Möglicherweise müssen Sie etwas Kraft aufwenden.
		Vergewissern Sie sich immer, dass die Padhalter sauber sind und die Mitte des Siebs nicht verstopft ist, um ein Vakuum zu verhindern.
Es dauert länger als bisher, Filterkaffee zu brühen.	Sie müssen die Maschine entkalken.	Um das Gerät zu entkalken, befolgen Sie die Anweisungen in Kapitel „Entkalken“.
	Sie haben einen Padhalter in der Maschine gelassen.	Nehmen Sie den Padhalter heraus.
Es befindet sich noch Wasser im Wassertank, nachdem Filterkaffee gebrüht wurde.	Das ist normal.	Der Brühvorgang für Filterkaffee verbraucht nicht das gesamte Wasser im Wassertank. Das ist normal.

Garantie und Support

Für Unterstützung und weitere Informationen besuchen Sie die Philips Website unter www.philips.com/support, oder lesen Sie die internationale Garantieschrift.

Recycling

- Dieses Symbol bedeutet, dass das Produkt nicht mit dem normalen Hausmüll entsorgt werden kann (2012/19/EU) (Abb.).
- Beachten Sie die örtlichen Vorschriften zur getrennten Entsorgung von elektrischen und elektronischen Produkten. Die ordnungsgemäße Entsorgung dient dem Schutz von Umwelt und Gesundheit.

Français

Introduction

Félicitations pour votre achat et bienvenue dans l'univers Philips ! Pour profiter pleinement de l'assistance offerte par Philips, enregistrez votre produit à l'adresse suivante : www.philips.com/welcome.

Eau froide claire

Utilisez chaque jour une eau froide et claire. Si vous n'avez pas utilisé la machine à café depuis un jour, faites-la fonctionner à l'eau froide claire avant de la réutiliser. Pour rincer la machine à café, remplissez le réservoir d'eau froide claire, placez un bol (d'une capacité minimale de 1,5 l) ou deux tasses sous l'unité d'écoulement du café et appuyez sur le bouton pour deux tasses à plusieurs reprises pour laisser l'eau chaude s'écouler jusqu'à ce que le réservoir d'eau soit vide.

Café filtre

Pour préparer une verreuse de délicieux café, utilisez un café prémoulu de bonne qualité. Utilisez toujours un filtre en papier n° 102. Vous pouvez préparer jusqu'à sept tasses de café dans la verreuse.

Dosettes

Utilisez des dosettes de café de bonne qualité pour préparer un café tout en goût et en rondeur. Pour préserver la fraîcheur du café en dosette, disposez les dosettes dans une boîte de conservation.

Important

Lisez attentivement ce manuel avant d'utiliser l'appareil et conservez-le pour un usage ultérieur.

Danger

- Ne plongez jamais l'appareil dans l'eau ou dans tout autre liquide.

Avertissement

- Branchez la machine sur une prise murale mise à la terre.
- Avant de brancher votre appareil, vérifiez que la tension indiquée au fond de la machine à café correspond bien à la tension secteur locale.
- Cette machine peut être utilisée par des enfants âgés de 8 ans ou plus, des personnes dont les capacités physiques, sensorielles ou intellectuelles sont réduites ou des personnes manquant d'expérience et de connaissances, à condition que ces enfants ou personnes soient sous surveillance ou qu'ils aient reçu des instructions quant à l'utilisation sécurisée de la machine et qu'ils aient pris connaissance des dangers encourus. Les enfants ne doivent pas jouer avec la machine. Le nettoyage et l'entretien ne peuvent pas être réalisés par des enfants sauf s'ils sont âgés de 8 ans ou plus et sous surveillance.
- Tenez la machine et son cordon hors de portée des enfants de moins de 8 ans.
- N'utilisez jamais l'appareil si la fiche, le cordon d'alimentation ou l'appareil lui-même est endommagé.
- Si le cordon d'alimentation est endommagé, il doit être remplacé par Philips, un centre de service autorisé par Philips ou un technicien qualifié afin d'éviter tout accident.

Attention

- Confiez toujours la machine à café à un Centre Service Agréé Philips pour réparation ou vérification. N'essayez jamais de réparer la machine vous-même, toute intervention entraîne l'annulation de votre garantie.
- Une fois déballée, ne placez jamais votre machine sur le côté. Maintenez-la toujours en position verticale, même pendant le transport.

- N'utilisez jamais de café moulu ordinaire ou des dosettes déchirées dans les supports à dosette de cette machine car ils risqueraient de se boucher.
- N'utilisez pas la machine à café avec un transformateur pour éviter tout accident.
- Placez toujours l'appareil sur une surface stable et plane.
- Ne placez pas la machine sur une plaque chauffante ou directement à côté d'un four chaud, d'un appareil de chauffage ou d'une source similaire de chaleur.
- Détartrez la machine au moins une fois tous les 3 mois. Sans détartrage, votre appareil peut cesser de fonctionner correctement et sa réparation ne sera pas couverte par la garantie.
- N'utilisez pas la machine à café à une altitude supérieure à 2 200 m.
- N'utilisez pas la machine à une température inférieure à 0 °C. L'eau laissée dans la machine peut geler et provoquer des dommages.
- Versez uniquement de l'eau froide claire dans le réservoir d'eau.
- Ne rincez jamais la machine et ne la faites jamais fonctionner lorsque le bec verseur n'est pas en place.
- Faites fonctionner la machine à café à l'eau claire avant la première utilisation (voir le chapitre « Première utilisation »). Ainsi, le système se remplit d'eau, ce qui est absolument nécessaire au bon fonctionnement de la machine.
- N'interrompez jamais le détartrage.
- N'utilisez jamais un agent de détartrage à base d'acides minéraux tel que l'acide sulfurique, l'acide chlorhydrique, l'acide sulfamique ou l'acide acétique (le vinaigre, par ex.). Ces détartrants peuvent endommager la machine à café.
- La machine est uniquement destinée à un usage domestique normal. Elle ne peut être utilisée dans des environnements tels que des cuisines réservées aux employés dans les entreprises, magasins, fermes et autres environnements de travail. Elle ne doit pas non plus être utilisée par les clients dans des hôtels, motels, chambres d'hôtes et autres environnements résidentiels.
- Ne démontez pas la verseuse isotherme.
- Ne plongez jamais la verseuse isotherme dans l'eau ou dans tout autre liquide afin d'éviter des infiltrations d'eau entre les parois de la verseuse.
- La verseuse isotherme ne peut pas être nettoyée au lave-vaisselle.
- Lorsque la verseuse est remplie de café, maintenez-la en position verticale pour éviter toute fuite.
- Pendant la préparation du café et tant que le voyant clignote, le porte-filtre est rempli de café chaud.

Description générale

- 1 Support à dosette pour une tasse
- 2 Support à dosette pour deux tasses
- 3 Disque de distribution
- 4 Bague de récupération
- 5 Plateau égouttoir
- 6 Voyant CALC
- 7 Bouton de la verseuse
- 8 Bouton pour deux tasses
- 9 Bouton pour une tasse
- 10 Couvercle du réservoir d'eau
- 11 Réservoir d'eau
- 12 Couvercle du porte-filtre
- 13 Porte-filtre
- 14 Couvercle de la verseuse isotherme
- 15 Verseuse isotherme
- 16 Cuillère de mesure

Champs électromagnétiques

Cette machine Philips est conforme à toutes les normes et à tous les règlements applicables relatifs à l'exposition aux champs électromagnétiques.

Première utilisation

La machine lance un cycle de rinçage automatique lorsque vous l'allumez pour la première fois, quel que soit le bouton sur lequel vous appuyez.

- 1 Branchez la fiche sur une prise murale avec mise à la terre.
- 2 Retirez le réservoir d'eau de la machine, puis retirez le couvercle du réservoir d'eau (Fig. 2).
- 3 Nettoyez le réservoir d'eau à l'eau chaude, en ajoutant un peu de produit vaisselle si nécessaire.
- 4 Remplissez le réservoir avec de l'eau froide et claire jusqu'au niveau maximal (MAX) (Fig. 3).
- 5 Remettez le couvercle sur le réservoir d'eau, puis replacez le réservoir dans la machine (Fig. 4).
- 6 Placez le support à dosette pour une tasse dans la machine à café. Fermez le couvercle et assurez-vous qu'il est correctement verrouillé (Fig. 5).
- 7 Retirez le plateau égouttoir de son support et mettez la verseuse ou un bol d'une capacité minimale de 1 litre sous l'orifice d'écoulement du café (Fig. 6).
- 8 Appuyez sur un des boutons du bloc de commande. Les trois voyants se mettent à clignoter (Fig. 7).
- 9 Le cycle de rinçage démarre. Pendant le cycle de rinçage, le système se remplit avec de l'eau du réservoir. La machine est plus bruyante pendant le cycle de rinçage que pendant le cycle de préparation du café.
- 10 La machine s'éteint lorsque le réservoir d'eau est vide (Fig. 8).
- 11 Après le support à dosette à l'eau chaude savonneuse ou la récupération et le support à dosette à l'eau chaude savonneuse ou au lave-vaisselle. Rincez la verseuse isotherme sous l'eau.

Préparation d'une verseuse de café-filtre

- 1 Ouvrez le couvercle de la machine à café (Fig. 9).
- 2 Retirez le support à dosette, le cas échéant (Fig. 10).
- 3 Retirez le plateau égouttoir, le cas échéant.
- 4 Remplissez le réservoir avec de l'eau froide claire jusqu'à l'indication correspondant au nombre de tasses que vous souhaitez préparer et replacez le réservoir sur la machine (Fig. 11).
- 5 Rincez la verseuse isotherme à l'eau chaude du robinet afin de la préchauffer.

Conseil : Pour obtenir un café bien chaud et riche en goût, préparez au moins une demi-verseuse de café.

- 6 Placez le porte-filtre au-dessus de la verseuse isotherme (Fig. 12).
- 7 Ouvrez le couvercle du porte-filtre.
- 8 Placez un filtre en papier n° 102 dans le porte-filtre. Veillez à rabattre les bords du filtre en papier afin qu'il tienne droit pendant la préparation (Fig. 13).
- 9 Utilisez la cuillère de mesure pour mettre la quantité nécessaire de café prémoulu dans le filtre (Fig. 14).

Conseil : Comptez l'équivalent d'une cuillère de mesure de café prémoulu par tasse. Comptez une grosse cuillère par tasse pour préparer du café fort et une cuillère rase pour du café doux.

- 10 Fermez le couvercle du porte-filtre.
- 11 Appuyez pour laisser la verseuse isotherme sur le support de la machine à café (Fig. 15).
- 12 Appuyez sur le bouton de la verseuse pour lancer le cycle de préparation (Fig. 16).
 - Le voyant lumineux de la verseuse se met à clignoter et le cycle de préparation commence (Fig. 17).

- Lorsque toute l'eau du réservoir s'est écoulée par le filtre, le voyant lumineux s'éteint et la machine s'arrête automatiquement.
- 13 Vous pouvez maintenant retirer la verseuse isotherme de la machine à café (Fig. 18).
 - 14 Retirez le porte-filtre de la verseuse isotherme (Fig. 19).

Conseil : Vous pouvez placer le porte-filtre sur le plateau égouttoir pour empêcher le café de couler sur le plan de travail pendant que vous versez du café avec la verseuse (Fig. 20).

- 15 Placez le couvercle sur la verseuse isotherme et tournez-le jusqu'à la position de maintien au chaud (symbole de verrouillage) (Fig. 21).
- 16 Poussez le levier du couvercle de la verseuse pour verser du café dans une ou plusieurs tasses (Fig. 22).

Préparation d'un café en dosette

Préparation d'une tasse de café en dosette

- 1 Remplissez le réservoir jusqu'au niveau MAX avec de l'eau froide claire, puis remettez-le en place (Fig. 3).

Remarque : Le niveau MIN sur le réservoir d'eau indique la quantité minimale d'eau nécessaire pour préparer du café en dosette. Vous devez toujours remplir le réservoir au-delà du niveau MIN.

- 2 Branchez la fiche sur une prise murale avec mise à la terre.
- 3 Soulevez le levier pour ouvrir le couvercle de la machine à café (Fig. 9).
- 4 Placez le plateau égouttoir sur le support de la machine à café (Fig. 23).
- 5 Placez une dosette dans le support à dosette pour une tasse, avec la partie bombée vers le bas (Fig. 24).

Remarque : Assurez-vous que le support à dosette est propre et que le tamis au milieu du support à dosette n'est pas bouché (par du café, par exemple).

Remarque : Assurez-vous que le café est réparti uniformément et appuyez légèrement sur la dosette pour la caler dans le support à dosette.

- 6 Placez le support à dosette pour une tasse dans la machine et fermez le couvercle (Fig. 5).
- 7 Placez une tasse sur le plateau égouttoir (Fig. 25).
- 8 Appuyez sur le bouton pour une tasse pour préparer le café (Fig. 26).
 - Le bouton se met à clignoter et la machine commence à chauffer (Fig. 27).
 - Lorsque l'eau est à température, la préparation du café commence (Fig. 28). La machine s'éteint automatiquement lorsque le café est prêt.
- 9 Pour enlever la dosette après utilisation, ôtez le support à dosette de la machine et videz-le (Fig. 10).

Attention : Faites attention car la dosette peut encore contenir un peu de café ou d'eau chaude.

Attention : N'utilisez jamais de café moulu ordinaire ou des dosettes déchirées avec la machine à café : elle risquerait de se boucher.

Préparation de deux tasses de café en dosette

- 1 Pour préparer deux tasses de café en dosette, placez le support à dosette pour deux tasses (plus profond) dans la machine à café. Placez deux dosettes dans le support à dosette pour deux tasses (Fig. 29).
- 2 Appuyez sur le bouton pour deux tasse pour préparer le café (Fig. 30).
 - Le bouton se met à clignoter et la machine commence à chauffer (Fig. 31).
 - Lorsque l'eau est à température, la préparation du café commence (Fig. 32). La machine s'éteint automatiquement lorsque le café est prêt.
- 3 Pour enlever les dosettes après utilisation, ôtez le support à dosette de la machine et videz-le (Fig. 33).

Remarque : Au lieu de placer deux dosettes dans le support à dosette pour deux tasses, vous pouvez y mettre une dosette de cappuccino, une dosette de chocolat chaud ou une dosette spéciale pour un mug de café fort et placez un mug sous l'unité d'écoulement de café. Dans ce cas, appuyez sur le bouton pour une tasse plutôt que sur le bouton pour deux tasses afin de préparer le café.

Commande d'accessoires

Pour acheter des accessoires ou des pièces de rechange, consultez le site Web www.shop.philips.com/service ou rendez-vous chez votre revendeur Philips. Vous pouvez également communiquer avec le Service Consommateurs Philips de votre pays (consultez le dépliant de garantie internationale pour obtenir les coordonnées).

Nettoyage de la machine à café

Ne plongez jamais l'appareil dans l'eau ou dans tout autre liquide.

Ne nettoyez jamais l'appareil en le faisant fonctionner à l'eau claire avec le couvercle ouvert.

Nettoyage de la machine à café

Avvertissement : Débranchez toujours l'appareil avant de le nettoyer.

- 1 Nettoyez l'extérieur de la machine à café à l'aide d'un chiffon humide.
- 2 Pour empêcher les supports à dosette de s'obstruer, nettoyez-les à l'eau chaude légèrement savonneuse avec un goupillon. Si vous avez utilisé le support à dosette pour deux tasses pour préparer un cappuccino ou du chocolat chaud, veillez à le nettoyer soigneusement immédiatement après utilisation pour enlever tout résidu de lait.

Remarque : Vous pouvez démonter les supports à dosette pour un nettoyage en profondeur (Fig. 34).

- 3 Nettoyez à l'eau chaude la bague de récupération, les supports à dosette, le plateau égouttoir, le réservoir d'eau et le couvercle du réservoir d'eau. Si nécessaire, utilisez un peu de produit vaisselle. Toutes les pièces détachables, à l'exception du réservoir d'eau, peuvent aussi être nettoyées au lave-vaisselle (Fig. 35).
- 4 Nettoyez le disque de distribution d'eau avec un chiffon humide. Soyez prudent lorsque vous le manipulez. Veillez à ce que la bague d'étanchéité ne se bloque pas sous le disque de distribution d'eau. Si elle se bloque, la machine à café fuira.

Nettoyage de la verseuse isotherme

Avvertissement : Ne plongez jamais complètement la verseuse isotherme dans l'eau ou dans tout autre liquide et ne la lavez pas au lave-vaisselle, car cela pourrait l'endommager.

- 1 Pour retirer le couvercle de la verseuse, tournez-le dans le sens inverse des aiguilles d'une montre jusqu'à la position d'ouverture et retirez-le (Fig. 36).
- 2 Nettoyez l'intérieur de la verseuse isotherme à l'eau chaude légèrement savonneuse à l'aide d'une brosse douce (Fig. 37).

Conseil : Pour enlever les dépôts de café tenaces, remplissez la verseuse d'eau chaude et ajoutez une cuillère de bicarbonate de soude. Laissez agir quelques instants.

- 3 Après avoir nettoyé la verseuse isotherme, rincez-la à l'eau chaude (Fig. 38).

Rinçage de la machine à café

Si vous n'avez pas utilisé la machine à café depuis un jour, faites-la fonctionner à l'eau froide claire avant de la réutiliser. Rincez la machine à café de la manière suivante :

- 1 Remplissez le réservoir jusqu'au niveau MAX avec de l'eau froide claire, puis remettez-le en place.
- 2 Placez le support à dosette pour une tasse ou pour deux tasses dans la machine à café sans dosette.
- 3 Placez la verseuse ou un bol (d'une capacité minimale de 1 l) sous l'unité d'écoulement du café pour recueillir l'eau.
- 4 Appuyez sur le bouton pour deux tasses et attendez que la machine chauffe et prépare une certaine quantité d'eau chaude. Appuyez ensuite à plusieurs reprises sur le bouton pour deux tasses jusqu'à ce que le réservoir soit vide.

Détartrage de l'appareil

Fréquence de détartrage

Des résidus de calcaire se forment lors de l'utilisation de la machine. Il est indispensable de détartrer la machine à café lorsque le voyant CALC s'allume.

Nécessité du détartrage

En voici les raisons :

- Il prolonge la durée de vie de votre machine à café.
- Il garantit un volume de tasse maximal.
- Il assure une température de café optimale.
- Il réduit le bruit de la machine lors de la préparation du café.
- Il respecte les dysfonctionnements.

Si vous ne respectez pas la procédure de détartrage, les résidus de calcaire restent bloqués dans la machine. Le calcaire se forme alors plus rapidement. À terme, cela peut endommager définitivement la machine.

Utilisation d'un agent de détartrage approprié

Seuls les détartrants à base d'acide citrique conviennent au détartrage de la machine à café. Ce type de détartrant agit sur la machine sans l'endommager. Consultez la procédure de détartrage ci-dessous pour connaître la quantité de détartrant à utiliser. Chaque solution de détartrage ne peut servir qu'une fois. Utilisez une nouvelle solution de détartrage à chaque reprise. Nous vous recommandons d'utiliser le détartrant spécial SENSEO® (HD7012/HD7011/HD7006). Lisez le livret d'instructions contenu dans l'emballage. Pour plus d'informations sur l'importance du détartrage, sur le procédé de détartrage et sur le détartrant à utiliser, consultez notre site Web à l'adresse www.philips.com/descale-senseo.

Avvertissement : N'utilisez jamais un agent de détartrage à base d'acides minéraux tel que l'acide sulfurique, l'acide chlorhydrique, l'acide sulfurique ou l'acide acétique (le vinaigre, par ex.). Ces détartrants peuvent endommager votre machine à café.

Procédure de détartrage

La procédure de détartrage consiste en un cycle de détartrage et deux cycles de rinçage. N'interrompez pas le cycle de détartrage et n'éteignez pas la machine avant la fin des deux cycles de rinçage.

- 1 Remplissez le réservoir d'eau jusqu'au niveau MAX avec de l'eau froide claire, puis versez l'eau dans un bol (Fig. 39).
- 2 Mélangez l'eau du bol avec 50 grammes d'acide citrique. Remuez jusqu'à dissolution complète de la poudre (Fig. 40).
- 3 Remplissez le réservoir avec la solution de détartrage et remettez-le en place dans la machine à café (Fig. 41).

- 4 Retirez le plateau égouttoir. Placez un bol d'une capacité minimale de 1,5 litre sous l'unité d'écoulement pour récupérer la solution de détartrage (Fig. 6).
- 5 Mettez une dosette usagée dans le support à dosette pour une tasse, puis placez le support à dosette dans la machine à café. Fermez le couvercle et assurez-vous qu'il est correctement verrouillé.

Remarque : Utilisez toujours une dosette usagée lors du détartrage de la machine. Celle-ci filtre les résidus de calcaire pour éviter que le tamis ou l'orifice du support à dosette ne se bouche.

Avertissement : Avant de commencer à détartrer la machine, assurez-vous que le couvercle est correctement fermé et le levier correctement verrouillé.

- 6 Appuyez simultanément sur le bouton pour une tasse et sur le bouton pour deux tasses.
- 7 Le voyant CALC, le bouton pour une tasse et le bouton pour deux tasses commencent à clignoter (Fig. 43) doucement.
 - Durant le cycle de détartrage, de l'eau s'écoule de la machine par intermittence. Lorsque toute la solution de détartrage a été utilisée, le bouton pour une tasse et le bouton pour deux tasses clignotent rapidement alors que le voyant CALC clignote toujours lentement.
- 8 Videz le bol et remettez-le en place.
- 9 Pour nettoyer le réservoir d'eau, rincez-le soigneusement à l'eau froide plusieurs fois (Fig. 44).
- 10 Remplissez le réservoir jusqu'au niveau MAX avec de l'eau froide claire, puis remettez-le en place.
 - Le bouton pour une tasse et le bouton pour deux tasses restent allumés. Le voyant CALC clignote toujours lentement.
- 11 Appuyez simultanément sur le bouton pour une tasse et sur le bouton pour deux tasses. Le bouton pour une tasse et le bouton pour deux tasses commencent à clignoter doucement. Le voyant CALC clignote toujours lentement.
 - Durant le cycle de rinçage, de l'eau s'écoule de la machine par intermittence. Lorsque le réservoir est vide, le bouton pour une tasse et le bouton pour deux tasses clignotent rapidement alors que le voyant CALC clignote toujours lentement.
- 12 Videz toute l'eau du réservoir s'est écoulée, le bouton pour une tasse et le bouton pour deux tasses clignotent rapidement alors que le voyant CALC clignote toujours lentement.
- 13 Répétez les étapes 8 à 12.
 - Lorsque toute l'eau du réservoir s'est écoulée, la machine s'arrête et les voyants lumineux s'éteignent pour indiquer que le détartrage est terminé.

Dépannage

Cette rubrique récapitule les problèmes les plus courants que vous pouvez rencontrer avec l'appareil. Si vous ne parvenez pas à résoudre un problème à l'aide de renseignements ci-dessous, rendez-vous sur le site www.philips.com/support et consultez la liste des questions fréquemment posées ou contactez le Service Consommateurs Philips de votre pays.

Problème	Cause possible	Solution
Ma tasse à café déborde de café froid.	Vous n'avez pas rincé la machine avant la première utilisation.	Faites fonctionner la machine à l'eau claire avant la première utilisation. Lorsque la machine a vidé un réservoir d'eau entier, vous pouvez commencer à préparer un nouveau café.
Le voyant lumineux entourant le bouton sur lequel vous avez appuyé clignote lentement.	La machine chauffe.	Si ceci prend plus de deux minutes, contactez le Service Consommateurs Philips de votre pays.
	Lorsque vous préparez du café avec filtre, le voyant clignote lentement pendant la préparation.	Le cycle de préparation dure environ 90 secondes, attendez que le cycle de préparation soit terminé.
Le voyant lumineux entourant le bouton sur lequel vous avez appuyé clignote rapidement.	Il n'y a pas assez d'eau dans le réservoir d'eau.	Remplissez le réservoir d'eau.
	Le flotteur dans le réservoir d'eau est coincé.	Videz le réservoir d'eau, secouez-le à plusieurs reprises pour décoincer le flotteur. Nettoyez le réservoir d'eau à l'eau chaude avec un peu de produit vaisselle, ou au lave-vaisselle. Si le problème persiste, détartragez la machine (voir le chapitre « Détartrage »).
Le voyant CALC reste allumé.	Vous devez détartrer la machine.	Effectuez la procédure de détartrage décrite au chapitre « Détartrage ».
Je ne parviens pas à fermer correctement le couvercle.	Une dosette usagée est peut-être collée au disque de distribution d'eau.	Si c'est le cas, retirez la dosette usagée.
La machine à café produit moins de café en dosette qu'auparavant.	Le tamis au centre du support à dosette est peut-être bouché.	Si le tamis est obstrué, utilisez un goupillon pour le dégager. Si vous ne parvenez pas à le nettoyer correctement avec le goupillon, placez le support à dosette dans la machine à café et détartragez la machine. Détartragez l'appareil (voir le chapitre « Détartrage »).
La température du café dans la tasse diminue rapidement.	Vous n'utilisez pas le bon type de tasse.	Utilisez des tasses aux parois fines. Les tasses à parois fines absorbent moins de chaleur que les tasses à parois épaisses.
	Les tasses sont froides.	Rincez les tasses avec de l'eau chaude. Vous pouvez préchauffer la machine à café et la tasse en commençant par préparer une tasse d'eau sans placer de dosette dans le support à dosette.
	Vous avez ajouté du lait froid au café.	N'utilisez pas de lait froid sortant du réfrigérateur.
Le café filtre n'est pas suffisamment chaud.	Vous n'avez pas préparé une verseuse pleine.	Le café reste chaud plus longtemps si vous préparez une verseuse pleine. Préparez une verseuse pleine pour vous assurer que le café est à bonne température.
	Vous n'avez pas retiré le support à dosette.	Si vous ne retirez pas le support à dosette, le temps de préparation peut être plus long.
	Vous n'avez pas préchauffé la verseuse isotherme.	Rincez la verseuse isotherme à l'eau chaude du robinet afin de la préchauffer.
	Vous avez ajouté du lait froid au café.	N'utilisez pas de lait froid sortant du réfrigérateur.
Du marc de café s'est introduit dans la verseuse isotherme.	Le filtre en papier s'est peut-être replié pendant la préparation.	Pour empêcher le filtre de se replier, rabattez ses bords.
Le café est moins fort que prévu.	Il restait peut-être de l'eau dans la verseuse isotherme quand vous avez commencé la préparation du café filtre.	Vérifiez toujours qu'il n'y a pas d'eau dans la verseuse avant de commencer la préparation du café.
	Vous n'avez pas utilisé assez de café prémoulu.	Comptez une grosse cuillère de café prémoulu par tasse pour obtenir un café plus fort.
L'appareil fuit.	Vous avez trop rempli le réservoir d'eau.	Ne remplissez pas le réservoir d'eau au-delà de l'indication MAX.
	Le tamis au centre du support à dosette est peut-être bouché.	Vérifiez le support à dosette. Si le tamis est obstrué, utilisez un goupillon pour le dégager. Si vous ne parvenez pas à le nettoyer correctement avec le goupillon, placez le support à dosette dans la machine à café et détartragez la machine (voir le chapitre « Détartrage »).
	La bague d'étanchéité en dessous du disque de distribution d'eau.	Vérifiez si la bague d'étanchéité n'est pas bloquée sous le disque de distribution d'eau. Si tel est le cas, dégagez-la du dessous du disque de distribution d'eau.
	Vous avez oublié de mettre la bague de récupération de café en place.	Si vous oubliez de mettre la bague de récupération de café en place, l'eau déborde par le couvercle de la machine à café au lieu de s'écouler par la dosette.

Problème	Cause possible	Solution
Je ne parviens pas à ouvrir le couvercle.	Un vide s'est formé sous le couvercle.	Éteignez la machine à café. Tirez le levier vers le haut et attendez 24 heures avant d'ouvrir le couvercle. Vous devrez peut-être employer la force.
		Vérifiez toujours que les supports à dosette sont propres et que le centre du tamis n'est pas obstrué afin d'éviter toute vide.
La préparation du café est plus longue qu'auparavant.	Vous devez détartrer la machine.	Pour détartrer la machine, suivez les instructions décrites au chapitre « Détartrage ».
	Vous avez laissé un support à dosette dans la machine à café.	Retirez le support à dosette.
Il reste de l'eau dans le réservoir après la préparation de café filtre.	Ce phénomène est normal.	La procédure de préparation du café filtre n'utilise pas toute l'eau dans le réservoir. Ceci est normal.

Garantie et assistance

Si vous avez besoin d'une assistance ou d'informations supplémentaires, consultez le site Web www.philips.com/support ou lisez le dépliant sur la garantie internationale.

Recyclage

- Ce symbole signifie que ce produit ne doit pas être jeté avec les déchets ménagers (2012/19/EU) (Fig.).
- Respectez les réglementations de votre pays concernant la collecte séparée des appareils électriques et électroniques. La mise au rebut appropriée des piles permet de protéger l'environnement et la santé.

Nederlands

Introductie

Gefeliciteerd met uw aankoop en welkom bij Philips! Registreer uw product op www.philips.com/welcome om optimaal gebruik te kunnen maken van de door Philips geboden ondersteuning.

Schoon, koud water

Gebruik elke dag schoon, koud water. Als u het koffiezetapparaat één dag niet hebt gebruikt, moet u het apparaat voor gebruik doorspoelen met schoon, koud water. Om het apparaat door te spoelen, vult u het waterreservoir met schoon, koud water, plaatst u een kom (met een inhoud van ten minste 1500 ml) of 2 koppen onder de koffietuit en drukt u een paar keer op de 2-kops knop om heet water te laten doorstromen totdat het waterreservoir leeg is.

Verse filterkoffie

Gebruik voor een kan heerlijke koffie voorgemalen koffie van goede kwaliteit. Gebruik altijd een filterzakje van het formaat 102.

U kunt maximaal 7 koppen koffie zetten in de kan.

Verse koffiepads

Gebruik in dit apparaat verse koffiepads van goede kwaliteit voor een volle, ronde smaak. Bewaar de pads in een voorraadbuis of -doos, zodat ze langer vers blijven.

Belangrijk

Lees deze gebruiksaanwijzing zorgvuldig door voordat u het apparaat gebruikt. Bewaar de gebruiksaanwijzing om deze indien nodig later te kunnen raadplegen.

Gevaar

- Dompel het apparaat nooit onder in water of een andere vloeistof.

Waarschuwing

- Sluit het apparaat uitsluitend aan op een geaard stopcontact.
- Controleer of het voltage dat op de onderkant van het apparaat is aangegeven, overeenkomt met de plaatselijke netspanning voordat u het apparaat aansluit.
- Dit apparaat kan worden gebruikt door kinderen vanaf 8 jaar en door personen met verminderde lichamelijke, zintuiglijke of geestelijke capaciteiten of weinig ervaring en kennis, mits zij onder toezicht staan of instructies hebben ontvangen over veilig gebruik van het apparaat en zij de gevaren van het gebruik begrijpen. Kinderen mogen niet met het apparaat spelen. Reiniging en onderhoud mogen alleen door kinderen van 8 jaar en ouder worden uitgevoerd en alleen onder toezicht.
- Houd het apparaat en het snoer buiten het bereik van kinderen jonger dan 8 jaar.
- Gebruik het apparaat niet als de stekker, het netsnoer of het apparaat zelf beschadigd is.
- Indien het netsnoer beschadigd is, moet het worden vervangen door Philips, een door Philips erkend servicecentrum of personen met vergelijkbare kwalificaties om gevaar te voorkomen.

Let op

- Breng het apparaat altijd naar een door Philips geautoriseerd servicecentrum voor onderzoek of reparatie. Probeer niet zelf het apparaat te repareren, aangezien uw garantie hierdoor komt te vervallen.
- Leg het apparaat nooit op zijn kant nadat u het hebt uitgepakt. Houd het apparaat altijd rechtop, ook tijdens transport
- Gebruik nooit gewone gemalen koffie of gescheurde pads in de padhouders van dit apparaat, aangezien de padhouders hierdoor verstopt raken.
- Het apparaat mag niet worden gebruikt in combinatie met een transformator, aangezien dit tot onveilige situaties kan leiden.
- Plaats het apparaat op een vlakke en stabiele ondergrond.
- Plaats het apparaat niet op een warmhoudplaat of naast een hete oven, verwarmingselement of vergelijkbare warmtebron.
- Ontkalk het apparaat ten minste om de 3 maanden. Als u dit niet doet, werkt het apparaat na verloop van tijd niet goed meer. In dat geval vallen reparaties niet onder de garantie.
- Gebruik het apparaat niet op een hoogte boven 2200 meter NAP.
- Gebruik het apparaat niet bij een temperatuur onder de 0 °C. Water dat in het apparaat achterblijft, kan bevriezen en schade veroorzaken.
- Doe nooit andere vloeistoffen dan schoon, koud water in het waterreservoir.

- Zorg ervoor dat de tuit goed is geplaatst voordat u het apparaat doorspoelt of koffie zet.
- Spoel het koffiezetapparaat vóór het eerste gebruik door met vers water (zie het hoofdstuk 'Eerste gebruik'). Hierdoor wordt het systeem gevuld met water, wat zeer belangrijk is voor de juiste werking van het apparaat.
- Onderbreek het ontkalkingsproces nooit.
- Gebruik nooit een ontkalker op basis van mineraalzuur zoals zwavelzuur, zoutzuur, sulfaminezuur of azijnzuur (bijv. azijn). Deze ontkalkers kunnen het apparaat beschadigen.
- Het apparaat is uitsluitend bedoeld voor normaal huishoudelijk gebruik. Het apparaat is niet bedoeld voor gebruik in personeelskeukens van bijvoorbeeld winkels, kantoren, boerderijen of vergelijkbare werkomgevingen. Het apparaat is ook niet bedoeld voor gebruik door gasten in hotels, motels, bed en breakfast en andere verblijfsaccommodaties.
- Neem de thermoskan niet uit elkaar.
- Dompel de thermoskan nooit in water of een andere vloeistof; hierdoor zou water tussen de wanden van de thermoskan kunnen lopen.
- De thermoskan is niet vaatwasmachinebestendig.
- Om lekkage te voorkomen dient u de thermoskan altijd rechtop te houden wanneer deze gevuld is.
- Tijdens het koffiezetten en zolang het lampje knippert, is de filterhouder gevuld met hete koffie.

Algemene beschrijving

- 1 1-kops padhouder
- 2 2-kops padhouder
- 3 Verdeelschijf
- 4 Ring opvangbak
- 5 Lekbak
- 6 CALC-lampje
- 7 Kanknop
- 8 2-kops knop
- 9 1-kops knop
- 10 Deksel van waterreservoir
- 11 Waterreservoir
- 12 Deksel van filterhouder
- 13 Filterhouder
- 14 Deksel van thermoskan
- 15 Thermoskan
- 16 Maatlepel

Elektromagnetische velden

Dit Philips-apparaat voldoet aan alle toepasbare richtlijnen en voorschriften met betrekking tot blootstelling aan elektromagnetische velden.

Eerste gebruik

Wanneer u het apparaat voor de eerste keer inschakelt, wordt een automatische doorspoelcyclus gestart, ongeacht welke knop u indrukt.

- 1 Steek de stekker in een geaard stopcontact.
- 2 Verwijder het waterreservoir uit het apparaat en verwijder vervolgens het deksel van het waterreservoir (Fig. 2).
- 3 Maak het waterreservoir goed schoon in warm water, desgewenst met wat afwasmiddel.
- 4 Vul het waterreservoir tot aan de MAX-aanduiding (Fig. 3) met schoon, koud water.
- 5 Plaats het deksel terug op het waterreservoir en plaats het waterreservoir terug op het apparaat (Fig. 4).
- 6 Plaats de 1-kops padhouder in het koffiezetapparaat. Sluit het deksel en controleer of het goed vergrendeld (Fig. 5) is.
- 7 Verwijder de lekbak van het plateau en plaats een kom (met een inhoud van minstens 1 liter) of de kan onder de koffie-uitloop (Fig. 6).
- 8 Druk op een van de knoppen op het bedieningspaneel. Alle drie de lampjes beginnen te knipperen (Fig. 7).
- 9 De doorspoelcyclus wordt gestart. Tijdens de doorspoelcyclus wordt het systeem gevuld met water uit het waterreservoir. Het apparaat maakt daarbij meer geluid dan tijdens het koffiezetten.
- 10 Wanneer het waterreservoir leeg (Fig. 8) is, wordt het apparaat automatisch uitgeschakeld.
- 11 Maak na de eerste doorspoelcyclus de collectorring en de padhouder schoon met warm water en wat afwasmiddel of in de vaatwasmachine. Spoel de isolatiekan af onder de kraan.

Een kan filterkoffie zetten

- 1 Open het deksel van het apparaat (Fig. 9).
- 2 Verwijder de padhouder, indien aanwezig (Fig. 10).
- 3 Verwijder de lekbak, indien aanwezig.
- 4 Vul het waterreservoir met schoon, koud water tot het juiste niveau voor het aantal kopjes koffie dat u wilt zetten en plaats het waterreservoir terug op het apparaat (Fig. 11).
- 5 Spoel de thermoskan met warm kraanwater om deze voor te verwarmen.

Tip: Zet ten minste een halve kan koffie om de lekkerste en warmste koffie te krijgen.

- 6 Plaats de filterhouder boven op de thermoskan (Fig. 12).
- 7 Open het deksel van de filterhouder.
- 8 Plaats een filterzakje (nr. 102) in de filterhouder. Vouw de randen van het filterzakje om zodat het filter niet naar binnen klappt tijdens het koffiezetten (Fig. 13).
- 9 Schep met de maatlepel de benodigde hoeveelheid voorgemalen koffie in het filter (Fig. 14).

Tip: Gebruik één maatlepel voorgemalen koffie per kop. Gebruik een volle, onafgestreken maatlepel voor sterke koffie en een afgestreken maatlepel voor milde koffie.

- 10 Sluit het deksel van de filterhouder.
- 11 Schuif de thermoskan op het plateau van het apparaat (Fig. 15).
- 12 Druk op de kanknop om het koffiezetten (Fig. 16) te starten.
 - Het lampje in de kanknop begint te knipperen en het koffiezetten wordt gestart (Fig. 17).
 - Wanneer al het water uit het waterreservoir door het filter is gelopen, gaat het lampje in de kanknop uit en wordt het apparaat automatisch uitgeschakeld.
- 13 U kunt nu de thermoskan van het apparaat (Fig. 18) verwijderen.
- 14 Verwijder de filterhouder van de thermoskan (Fig. 19).

Tip: U kunt de filterhouder op de lekbak plaatsen terwijl u koffie uit de kan (Fig. 20) schenkt. Zo voorkomt u dat er koffie op uw aanrecht lekt.

- 15 Plaats het deksel op de thermoskan en draai het naar de warmhoudstand ('vergrendeld slot'-symbool) (Fig. 21).
- 16 Druk op de hendel van het deksel om een of twee kopjes koffie uit de kan te schenken.

Koffiezetten met pads

Eén kop padkoffie zetten

- 1 Vul het waterreservoir met schoon, koud water tot de MAX-aanduiding en plaats het terug op het apparaat (Fig. 3).

Opmerking: De MIN-aanduiding op het waterreservoir geeft de minimale hoeveelheid water aan die nodig is om padkoffie te zetten. Vul het waterreservoir altijd tot boven het MIN-niveau.

- 2 Steek de stekker in een geaard stopcontact.
- 3 Open het deksel van het apparaat door de hendel omhoog (Fig. 9) te bewegen.
- 4 Plaats de lekbak op het plateau van het apparaat (Fig. 23).
- 5 Plaats één pad in de 1-kops padhouder met de bolle zijde naar beneden (Fig. 24).

Opmerking: Zorg dat de padhouder schoon is en dat het zeefje in het midden niet verstopt is, bijvoorbeeld met koffiedik.

Opmerking: Zorg dat de koffie in de pad gelijkmatig is verdeeld en druk de pad licht aan in de padhouder.

- 6 Plaats de 1-kops padhouder in het apparaat en sluit het deksel (Fig. 5).
- 7 Plaats een kop op de lekbak (Fig. 25).
- 8 Druk op de 1-kops knop om koffie (Fig. 26) te zetten.
 - De knop begint te knipperen en het apparaat wordt opgewarmd (Fig. 27).
 - Wanneer de opwarming is voltooid, begint het apparaat met koffiezetten (Fig. 28). Na het koffiezetten wordt het apparaat automatisch uitgeschakeld.
- 9 Verwijder na gebruik de koffiepads door de padhouder uit het apparaat te nemen en te legen (Fig. 10).

Let op: Doe dit voorzichtig, aangezien er nog wat heet water/hete koffie op de koffiepads kan liggen.

Let op: Gebruik nooit gewone gemalen koffie of gescheurde pads in het apparaat, aangezien het hierdoor verstopt raakt.

Twee koppen padkoffie zetten

- 1 Als u twee koppen padkoffie wilt zetten, plaatst u de diepere 2-kops padhouder in het apparaat. Plaats twee pads in de 2-kops padhouder (Fig. 29).
- 2 Druk op de 2-kops knop om koffie te zetten (Fig. 30).
 - De knop begint te knippen en het apparaat wordt opgewarmd (Fig. 31).
 - Wanneer de opwarming is voltooid, begint het apparaat met koffiezetten (Fig. 32). Na het koffiezetten wordt het apparaat automatisch uitgeschakeld.
- 3 Verwijder na gebruik de koffiepads door de padhouder uit het apparaat te nemen en te legen (Fig. 33).

Opmerking: In plaats van twee pads kunt u ook een cappuccinopad, een pad voor warme chocolademelk of een speciale pad voor een mok sterke koffie in de 2-kops padhouder plaatsen. U moet dan wel een mok onder de koffietuit plaatsen. In dit geval drukt u op de 1-kops knop in plaats van de 2-kops knop om uw warme drank te bereiden.

Accessoires bestellen

Ga naar www.shop.philips.com/service of uw Philips-dealer om accessoires of reserveonderdelen aan te schaffen. U kunt ook contact opnemen met het Philips Consumer Care Centre in uw land (zie de meegeleverde wereldwijde garantieverklaring voor contactgegevens).

Het apparaat schoonmaken

Dompel het apparaat nooit onder in water of een andere vloeistof.

Maak het koffiezetapparaat nooit schoon door het met geopend deksel door te spoelen.

Het koffiezetapparaat schoonmaken

Waarschuwing: Haal altijd de stekker uit het stopcontact voordat u het apparaat schoonmaakt.

- 1 Maak de buitenkant van het apparaat schoon met een vochtige doek.
- 2 Maak de padhouders regelmatig schoon met warm water, wat afwasmiddel en een afwasborstel om verstopping te voorkomen. Als u de 2-kops padhouder hebt gebruikt om cappuccino of warme chocolademelk te bereiden, moet u deze direct na gebruik goed schoonmaken om alle melkresten te verwijderen.

Opmerking: Voor een zeer grondige reiniging (Fig. 34) kunt u de padhouders uit elkaar halen.

- 3 Maak de collectoring, de padhouders, de lekbak, het waterreservoir en het deksel van het waterreservoir schoon in warm water, eventueel met wat afwasmiddel. Alle afneembare onderdelen, met uitzondering van het waterreservoir, kunnen ook in de vaatwasmachine (Fig. 35) worden gereinigd.
- 4 Maak de waterverdeelschijf schoon met een vochtige doek. Doe dit voorzichtig en let op dat de rubberen afdichting niet onder de rand van de waterverdeelschijf vast komt te zitten. Als dat gebeurt, gaat het koffiezetapparaat lekken.

De thermoskan schoonmaken

Waarschuwing: Dompel de thermoskan niet in water of een andere vloeistof en maak deze niet schoon in de vaatwasmachine, aangezien de kan hierdoor beschadigd kan raken.

- 1 Als u het deksel naar links draait, gaat de kan open en kunt u het deksel verwijderen (Fig. 36).
- 2 Maak de binnenkant van de thermoskan schoon met een zachte borstel, warm water en een beetje afwasmiddel (Fig. 37).

Tip: U kunt hardnekkige bruine aanslag verwijderen door de kan met warm water te vullen en er een lepel soda aan toe te voegen. Laat de soda een tijdje inwerken.

- 3 Spoel de thermoskan na het schoonmaken om met vers, warm water (Fig. 38).

Het koffiezetapparaat doorspoelen

Wanneer u het koffiezetapparaat één dag niet hebt gebruikt, spoelt u het vóór gebruik door met schoon, koud water. Het doorspoelen van het apparaat gaat als volgt:

- 1 Vul het waterreservoir met schoon, koud water tot de MAX-aanduiding en plaats het terug op het apparaat.
- 2 Plaats de 1-kops padhouder of 2-kops padhouder zonder pad(s) in het apparaat.
- 3 Plaats een kom (met een inhoud van minstens 1000 ml) of de kan onder de koffietuit om het water op te vangen.
- 4 Druk op de 2-kops knop en wacht tot het apparaat is opgewarmd en een hoeveelheid heet water heeft afgegeven. Druk vervolgens nog een paar keer op de 2-kops knop, totdat het waterreservoir leeg is.

Het apparaat ontkalken

Wanneer ontkalken

Tijdens het gebruik hoopt zich kalk op in het apparaat. Het is zeer belangrijk dat u het apparaat ontkalkt zodra het CALC-lampje gaat branden.

Waarom ontkalken

Waarom u het koffiezetapparaat moet ontkalken:

- Het verlengt de levensduur van uw koffiezetapparaat.
- Het zorgt ervoor dat uw kop volledig wordt gevuld.
- Het zorgt ervoor dat de koffie zo warm mogelijk is.
- Het apparaat maakt tijdens het koffiezetten minder geluid.
- Het voorkomt storingen.

Als de ontcalcingsprocedure niet correct wordt uitgevoerd, blijven er kalkresten achter in het apparaat. Dit leidt tot een snellere ophoping van kalk, waardoor het apparaat permanent en onherstelbaar beschadigd kan raken.

Gebruik de juiste ontcalcingsmiddel

Alleen ontcalcingsmiddelen op basis van citroenzuur zijn geschikt voor het ontkalken van het apparaat. Dit type ontcalcingsmiddel ontkalkt het apparaat zonder het te beschadigen. Zie 'Ontcalcingsprocedure' hieronder voor de juiste hoeveelheid. Elk ontcalcingsmiddel kan slechts eenmaal worden gebruikt. Gebruik elke keer een nieuw ontcalcingsmiddel. We raden u aan de speciale SENSEO® Ontcalcingsmiddel (HD7012/HD7011/HD7006) te gebruiken. Lees de instructiefolder in de verpakking. Op onze website (www.philips.com/descalc-senseo) leest u waarom het belangrijk is om te ontkalken, hoe u kunt ontkalken en welke ontcalcingsmiddel u dient te gebruiken.

Waarschuwing: Gebruik nooit een ontcalcingsmiddel op basis van mineraalzuur zoals zwavelzuur, zoutzuur, sulfaminezuur of azijnzuur (bijv. azijn). Deze ontcalcingsmiddelen kunnen uw koffiezetapparaat beschadigen.

Ontcalcingsprocedure

De ontcalcingsprocedure bestaat uit een ontcalcingscyclus en 2 doorspoelcycli. Onderbreek de ontcalcingscyclus niet en schakel het apparaat niet uit voordat u de twee doorspoelcycli hebt uitgevoerd.

- 1 Vul het waterreservoir met schoon, koud water tot de MAX-aanduiding en schenk het water in een kom (Fig. 39).
- 2 Meng 50 gram citroenzuur met het water in de kom. Roer het mengsel totdat het poeder is opgelost (Fig. 40).
- 3 Vul het waterreservoir met het ontcalcingsmiddel en plaats het apparaat terug op het apparaat (Fig. 41).
- 4 Verwijder de lekbak. Plaats een kom met een inhoud van minstens 1,5 liter onder de tuit om het ontcalcingsmiddel (Fig. 6) op te vangen.
- 5 Plaats de 1-kops padhouder met een gebruikte koffiepads in het koffiezetapparaat. Sluit het deksel en controleer of het goed vergrendeld is.

Opmerking: Plaats altijd een gebruikte koffiepads in de padhouder wanneer u het apparaat ontkalkt. Deze pad dient als 'filter' om te voorkomen dat de zeef of de opening in de padhouder tijdens het ontkalken verstopt raakt met kalkresten.

Waarschuwing: Zorg dat het deksel goed is gesloten en dat de hendel van het deksel is vergrendeld voordat u begint met ontkalken.

- 6 Druk tegelijkertijd op de 1-kops knop en de 2-kops knop.
- 7 Het CALC-lampje, de 1-kops knop en de 2-kops knop beginnen langzaam te knippen (Fig. 43).
 - Tijdens de ontcalcingscyclus komt er met tussenpozen water uit het apparaat. Wanneer het ontcalcingsmiddel in het waterreservoir op is, beginnen de 1-kops knop en de 2-kops knop snel te knippen, terwijl het CALC-lampje langzaam blijft knippen.
- 8 Leeg de kom en plaats deze weer terug.
- 9 Maak het waterreservoir schoon door het enkele keren (Fig. 44) goed om te spoelen met schoon, koud kraanwater.
- 10 Vul het waterreservoir met schoon, koud water tot de MAX-aanduiding en plaats het terug op het apparaat.
 - De 1-kops knop en de 2-kops knop branden onafgebroken. Het CALC-lampje blijft langzaam knippen.
- 11 Druk tegelijkertijd op de 1-kops knop en de 2-kops knop. De 1-kops knop en de 2-kops knop beginnen langzaam te knippen. Het CALC-lampje blijft langzaam knippen.
 - Tijdens de doorspoelcyclus komt er met tussenpozen water uit het apparaat. Wanneer het waterreservoir leeg is, beginnen de 1-kops knop en de 2-kops knop snel te knippen, terwijl het CALC-lampje langzaam blijft knippen.
- 12 Wanneer al het water in het waterreservoir op is, beginnen de 1-kops knop en de 2-kops knop snel te knippen, terwijl het CALC-lampje langzaam blijft knippen.
- 13 Herhaal stap 8 tot en met 12.
 - Wanneer het water in het waterreservoir helemaal op is, wordt het apparaat automatisch uitgeschakeld en gaan alle lampjes uit om aan te geven dat de ontcalcingsprocedure is voltooid.

Problemen oplossen

In dit hoofdstuk worden in het kort de meest voorkomende problemen behandeld die zich kunnen voordoen tijdens het gebruik van het apparaat. Als u het probleem niet kunt oplossen met behulp van de onderstaande informatie, gaat u naar www.philips.com/support voor een lijst met veelgestelde vragen of neemt u contact op met het Consumer Care Center in uw land.

Probleem	Mogelijke oorzaak	Oplossing
Mijn kop stroomt over met koude koffie.	U hebt het apparaat niet doorgespoeld vóór het eerste gebruik.	Spoel het apparaat vóór het eerste gebruik door. Wanneer het apparaat een volledig waterreservoir heeft geleegd, kunt u nieuwe koffie zetten.

Probleem	Mogelijke oorzaak	Oplossing
Het lampje in de knop die u hebt ingedrukt, knippert langzaam.	Het apparaat wordt opgewarmd.	Als de opwarming langer dan twee minuten duurt, neemt u contact op met het Philips Consumer Care Center in uw land.
	Wanneer u filterkoffie zet, knippert het lichtje langzaam.	Wacht tot het koffiezetten is voltooid. Dit duurt circa 90 seconden.
Het lampje in de knop die u hebt ingedrukt, knippert snel.	Er zit niet genoeg water in het waterreservoir.	Vul het waterreservoir.
	De vlotter in het waterreservoir zit vast.	Leeg het waterreservoir en schud er een paar keer mee om de vlotter los te schudden. Maak het waterreservoir schoon met warm water en een beetje afwasmiddel of reinig het in de vaatwasmachine. Als dit niet helpt, ontkalkt u het apparaat (zie het hoofdstuk 'Ontkalken').
Het CALC-lampje brandt onafgebroken.	U moet het apparaat ontkalken.	Voer de ontkalkingsprocedure uit zoals beschreven in het hoofdstuk 'Ontkalken'.
Ik kan het deksel niet goed sluiten.	Mogelijk zit er nog een gebruikte koffiepads tegen de waterverdeelschijf aan geplakt.	Als dit het geval is, verwijdert u de gebruikte pads.
Het koffiezetapparaat zet minder padkoffie per kop dan voorheen.	De zeef in het midden van de padhouder zit mogelijk verstopt.	Als de zeef verstopt is, kunt u de zeef onstoppen met een afwasborstel. Als u de zeef niet goed kunt onstoppen met de afwasborstel, plaatst u de padhouder in het apparaat en ontkalkt u het apparaat. Ontkalk het apparaat (zie het hoofdstuk 'Ontkalken').
De koffie wordt snel koud.	U gebruikt het verkeerde type koppen.	Gebruik dunwandige koppen. Dunwandige koppen absorberen de hitte van de koffie minder dan dikwandige koppen.
	De koppen zijn koud.	Spoel de koppen om met warm water. U kunt het koffiezetapparaat en de kop voorverwarmen door eerst een kop warm water te zetten zonder een koffiepads in de padhouder te plaatsen.
	U hebt koude melk aan de koffie toegevoegd.	Gebruik geen koude melk die direct uit de koelkast komt.
De filterkoffie is niet warm genoeg.	U hebt geen volle kan koffie gezet.	De koffie blijft langer warm wanneer u een volle kan koffie zet. Zorg dat de kan vol is als u zeker wilt weten dat de koffie de juiste temperatuur heeft.
	U hebt de padhouder niet verwijderd.	Als u de padhouder niet verwijdert, kan het koffiezetten langer duren.
	U hebt de thermoskan niet voorverwarmd.	Spoel de thermoskan met warm kraanwater om deze voor te verwarmen.
	U hebt koude melk aan de koffie toegevoegd.	Gebruik geen koude melk die direct uit de koelkast komt.
Er zit koffiedik in de thermoskan.	Het filterzakje is mogelijk naar binnen geklapt tijdens het koffiezetten.	Om te voorkomen dat het filterzakje naar binnen klappt, kunt u de randen omvouwen.
De koffie is minder sterk dan verwacht.	Mogelijk zat er nog water in de thermoskan op het moment dat u filterkoffie ging zetten.	Controleer altijd of de kan leeg is voordat u koffie gaat zetten.
	U hebt niet genoeg voorgemalen koffie gebruikt.	Gebruik voor sterke koffie één volle, onafgestreken maatlepel voorgemalen koffie per kop.
Er lekt water uit het koffiezetapparaat.	Het waterreservoir is te vol.	Vul het waterreservoir nooit tot boven het MAX-niveau.
	De zeef in het midden van de padhouder zit mogelijk verstopt.	Controleer de padhouder. Als de zeef verstopt is, kunt u de zeef onstoppen met een afwasborstel. Als u de zeef niet goed kunt onstoppen met de afwasborstel, plaatst u de padhouder in het apparaat en ontkalkt u het apparaat (zie het hoofdstuk 'Ontkalken').
	De afdichting zit mogelijk vast onder de rand van de verdeelschijf.	Controleer of de afdichting vastzit onder de rand van de verdeelschijf. Zo ja, trek de ring dan voorzichtig onder de verdeelschijf vandaan.
	U hebt de collectoring niet geplaatst.	Als u vergeet de collectoring te plaatsen, loopt het water niet door de pad maar uit het deksel van het apparaat.
Ik kan het deksel niet openen.	Er is een vacuüm ontstaan onder het deksel.	Schakel het koffiezetapparaat uit. Trek de hendel omhoog en wacht 24 uur voordat u het deksel opent. Mogelijk moet u hierbij enige kracht gebruiken.
		Zorg er altijd voor dat de padhouders schoon zijn en het midden van de zeef niet verstopt zit om te voorkomen dat er een vacuüm ontstaat.
Het duurt langer dan voorheen om filterkoffie te zetten.	U moet het apparaat ontkalken.	Volg de instructies in het hoofdstuk 'Ontkalken' om het apparaat te ontkalken.
	U hebt de padhouder in het apparaat laten zitten.	Verwijder de padhouder.
Er zit nog steeds water in het waterreservoir nadat u filterkoffie hebt gezet.	Dit is normaal.	Tijdens het zetten van filterkoffie wordt niet al het water in het waterreservoir gebruikt. Dit is normaal.

Garantie en ondersteuning

Hebt u informatie of ondersteuning nodig, ga dan naar www.philips.com/support of lees de originele garantieverklaring.

Recyclen

- Dit symbool betekent dat dit product niet samen met het gewone huishoudelijke afval mag worden weggegooid (2012/19/EU) (Fig.).
- Volg de in uw land geldende regels voor de scheiden inzameling van elektrische en elektronische producten. Als u oude producten correct verwijdert, voorkomt u negatieve gevolgen voor het milieu en de volksgezondheid.