



MASSAGERR

# SMART CUPPER



## USER MANUAL

Read all safety information  
before using the Massagerr.





# Index

About Massagerr	04
Our story	06
Product introduction	08
Operational guidelines	10
Safety precautions	15
Cleaning and maintenance	18
Fault analysis and troubleshooting	20
Support	22

# About Massagerr

Recover or relax in peace. We will help you with that. All Massagerr products are specially designed to reduce tension, pain, and stress in your body and to recover faster, so that you can feel and move better! From now on you are your own professional massage therapist, in the comfort of your own home or on the go. You can now receive professional massages anywhere, anytime!



Healthy  
body



Move  
better



User  
friendly



Recover  
faster

# Benefits of Massager products

- ✓ Helps naturally soothe chronic and acute pain
- ✓ Melts away muscle soreness and tension
- ✓ Improves freedom of movement and flexibility in your body
- ✓ Promotes blood circulation
- ✓ Promotes faster muscle recovery
- ✓ Relaxes the body for a better night's sleep



# Our story

Massagerr was born out of necessity.  
The founder of Massagerr shares his story  
on the next page.



*After a snowboard accident and a foot run over by a car, my whole body became unbalanced.*

The immense irritation of constant tension had to stop. When I tested massage devices for the first time, a whole new world opened up for me. After a massage with the right massage devices, the constant tension melted away and with consistent treatments this has helped me enormously in my recovery. The idea that anyone, wherever you are, can easily get your body to complete relaxation and faster recovery has made me dive into the world of massage.

The convenience of a deep massage treatment anywhere is unparalleled. The deepening in the world of massage has brought me to the mission to create the best offer with massage products that everyone can optimally relax, recover, and enjoy with. In order to offer the best range, we have started collaborations next to our own brand with the best brands with the highest quality for the lowest price. This way you can easily and reliably shop with us for the best massage device that suits your needs!

**Jim - Founder of Massagerr.nl**

# Product introduction

This product integrates the functions of intelligent breathing cupping, red light hot compress, one key pressure relief, etc., and realizes dynamic breathing cupping by intelligently monitoring the pressure in the tank and adjusting the vacuum negative pressure in real time. It is a considerate product for home office and gift.



Power/ pressure relief key  
*(Short press to relieve pressure)*



Mode key



Temperature control key



Vibration force key





## Parameters

Product	Smart cupper
Model	DS-A28
Product size	90 x 90 x 78 mm
Charging voltage	5V 2A
Suction strenght	60~0kPa
Rated power	5W
Net weight	185g
Executive standard	GB4706.1-2005 GB4706.10-2008

# Operational guidelines

## Preparation before use

1. Please read the safety precautions carefully when using this product. If it does not meet the use conditions, this product is disabledProduct.
2. It is recommended to clean and moisturize the skin with a wet towel or spray to improve the sense of use experience.
3. Tighten and install the transparent tank (wipe the instrument with wet towel before and after use).
4. Check whether the instrument is complete and normal.

## Power/ pause key

1. Press and hold for 1 second to start the machine, and the three color indicator lights up. (this machine is equipped with 20 minute timing and automatically shuts down after 20 minutes)
2. Long press the pressure relief and shut down, and the three color indicator light goes out.
3. In the power on state, short press to release the pressure with one key.
4. The default startup mode is deep negative pressure mode, and the vibration function and healing function are automatically turned on, and the red light at the bottom is on.

### **Mode key (green indicator)**

1. The default deep negative pressure mode is enabled. Short press the mode key to switch between different negative pressure cupping modes.
2. This product is equipped with three modes: mode **I** deep negative pressure mode (continuous negative pressure), mode **II** soothing breathing mode (normal suction and discharge), and mode **III** active breathing mode (accelerated suction and discharge).
3. The number of green indicators varies with the mode.

### **Vibration force key (indicator light is blue)**

1. The power on defaults to the first gear strength. Short press to adjust the vibration strength (there are 3 gears in total, and the number of blue indicators represents the vibration strength gear).
2. Each short press will increase one gear upward, and one more blue indicator light will be on at the same time.
3. When the intensity reaches the highest gear, short press again to return to gear 0, turn off the vibration function, and the blue indicator light goes out.
4. It is recommended to start from the first gear when using it for the first time or when the skin is not adapted.

### Temperature control key (the indicator light is red)

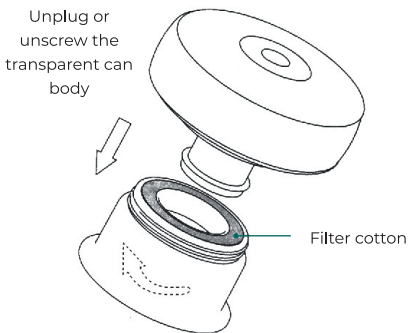
1. The default starting temperature is the first gear, the red light at the bottom is on, and the temperature can be adjusted by short pressing (there are 3 gears in total, and the red indicator light is on)The number represents the temperature gear).
2. Each short press will increase one gear upward, and one more red indicator light will be on at the same time.
3. When the intensity reaches the highest gear, short press again to turn off the heating function (gear 0), the red indicator light goes out and the red light at the bottom goes out.
4. It is recommended to start from the first gear when using it for the first time or when the skin is not adapted.

#### Note 1

When using this machine with liquid peripheral products such as essential oil, please be sure to keep the essential oil on the skinAfter the skin surface is evenly coated and there is no obvious liquid, adsorb the machine to the required position.

### Note 2

The machine is designed with a filter device, which can filter out most of the particles in the process of product useür liquid impurities to protect the internal cleaning of the fuselage and maintain the service life of the product. Please use it according to your personal needsFrequency, check and replace the filter cotton regularly.



After replacing the attached filter cotton, Restore and install the transparent can body.

### Charging instructions

1. Connect the type-C charging cable to the adapter socket, and connect the other end to the product charging interface to start charging. Adapter size: 5V= 2A.
2. Please keep the type-C charging port dry and clean during charging. The charging time will vary slightly due to environmental conditions. Subject to the actual time. Do not charge for more than 8 hours.
3. During charging, the indicator flashes and goes out after full charge.
4. The product cannot be used when it is charged.

# Safety precautions

**DANGER!** Contents related to serious personal injury caused by wrong operation.

Do not use with the following medical electronic equipment at the same time, which will cause errors or damage to medical instruments, Seriously life-threatening!

1. Implantable medical electronic devices such as cardiac pacemaker;
2. Life sustaining medical electronic devices such as artificial heart and lung;
3. Electrocardiograph and other medical electronic instruments;
4. Patients with other medical implants.

Please do not use under the following circumstances to avoid accidents or discomfort.

1. Patients with pregnancy, menstruation, damaged epidermis, varicose veins and taking drugs.
2. Patients with infectious diseases, skin sensitivities, postoperative patients, high fever or critical illness are prohibited.
3. Patients with malignant tumor or local damage and ulceration, traumatic fracture, acute suppurative in-

- inflammation, skinPatients with loss of elasticity.
4. Patients with abnormal heart, brain nerve and blood pressure.
  5. Severe neuroticism, convulsion, spasm and manie anxiety.
  6. Bleeding prone diseases, such as thrombocytopenia, leukemia, hemophilia, Henoch Schonlein purpura and other diseasesHe is suffering from bleeding.
  7. Near the heart, facial features, private parts or large blood vessels on the body surface.
  8. Patients with skin perception disorder or abnormal skin.
  9. A patient who is being treated by a doctor or feels physically abnormal.
  - 10.Excessive fatigue, drunkenness and staying up too late (2 hours before and after meals are also prohibited).
  11. Patients whose skin is allergie to metal and red light.
  - 12.The product has a healing surface, which is not sensitive to heat, children, unable to express !heir wishes freely or unable to elfManagement personnel.

Be careful (contents related to serious personal injury caused by wrong operation)

1. Please use this product correctly according to the operating instructions.
2. When using the product, the transparent can body shall be closely attached to the skin and evenly contacted to avoid contact with wounds and scarsMark.
3. The same part of this product maycause low-tempe-



- ature scald or skin strain when used for a long time. Please pay attention to the use.
4. If you feel unwell during or after use, please stop immediately and consult a doctor.
  5. It is recommended that one user use it. When cross users use, please turn off and clean the transparent tank before use.
  6. Do not use a notched or damaged transparent can body.
  7. After using this product, redness or ecchymosis occurs, which is a normal phenomenon and usually subsides naturally within 2 days (according to each individual skin types vary).
  8. When the product works for a long time, there will be healing on the surface, which is a normal phenomenon.
  9. In case of abnormality, please remove it immediately.
  10. Do not use this product while driving.
  11. Do not plug and unplug the USB charging cable with wet hands to prevent electric shock or accidents.
  12. This product contains lithium battery. Please do not disassemble, change, immerse in water or throw it into the fire to prevent damage and explosion of the product. Blow up.
  13. After use, the blood vessels on the skin surface will dilate. You should rest for 45 minutes before bathing.
  14. The use time of this product varies from person to person. If you feel unwell, please stop using it immediately.

# Cleaning and maintenance

## Please observe the cleaning and maintenance methods to prolong the service life of the instrument:

1. Please wipe the fuselage with dry non-woven cloth. Do not use acid-base detergent, alcohol, diluent, gasoline. Clean with solvent such as nail remover.
2. After each use, please turn off the power supply and clean it (with wet towel).
3. Please store this product in a safe and dry place.
4. Do not leave the product idle when there is water residue.
5. Do not use a hard brush or stainless steel ball to wipe, so as not to damage the surface.
6. Do not use water and other liquids to directly inhale the instrument for flushing.
7. When the product is idle for a long time, please charge the product regularly to ensure its normal operation.

## Do not use or store this product in the following places:

Places vulnerable to vibration and impact; Places with direct sunlight; Hot and humid places; Places with water; Strong electromagnetic field; Near fireworks; Places accessible to children, etc.



# Fault analysis and troubleshooting

## Unable to power on

1. Press and hold the power button for more than 1.5 seconds to start up.
2. Please charge the machine and try again.

## Unable to charge

1. Replace the adapter with a row socket and try again.
2. Please pull out the charging head and plug it in again and confirm that it is inserted in place.
3. Please check the charging head and charging port for dirt or sundries. If yes, please clean up.
4. Replace the adapter or charging cable.

## Weak suction

1. Remove the transparent tank and re-tighten it for installation.
2. Check whether the air inlet and exhaust holes are blocked.
3. Check whether the filter cotton needs to be replaced.

### Weak temperature sense

1. Check whether the temperature function is turned on and the temperature prompt light is on.
2. Due to the influence of ambient temperature, please increase the temperature gear.
3. The battery is low, please charge it.

If the problem cannot be solved, do not disassemble the machine without permission.

### Reminder

1. When using it for the first time, please pay attention to step-by step adjustment to find a suitable mode and intensity.
2. In the deep negative pressure mode, if the suction reaches a certain degree, please press the power/ pressure relief key in time to relieve the pressure, so as not to cause skin discomfort.

#### Note

This product is not a medical device and cannot be used instead of medical devices

# Support

Massagerr works with a 100% satisfaction guarantee. We are only satisfied when you are.

## Do you still have questions after reading the manual?

At Massagerr we want to answer **all** your questions as soon and as best as possible. That is why our team is available 7 days a week answer **all** your questions. You can easily reach our support team by email, social media, or WhatsApp.



info@massagerr.nl



@massagerr.nl



085 – 004 12 40





MASSAGERR

[www.massagerr.nl](http://www.massagerr.nl)