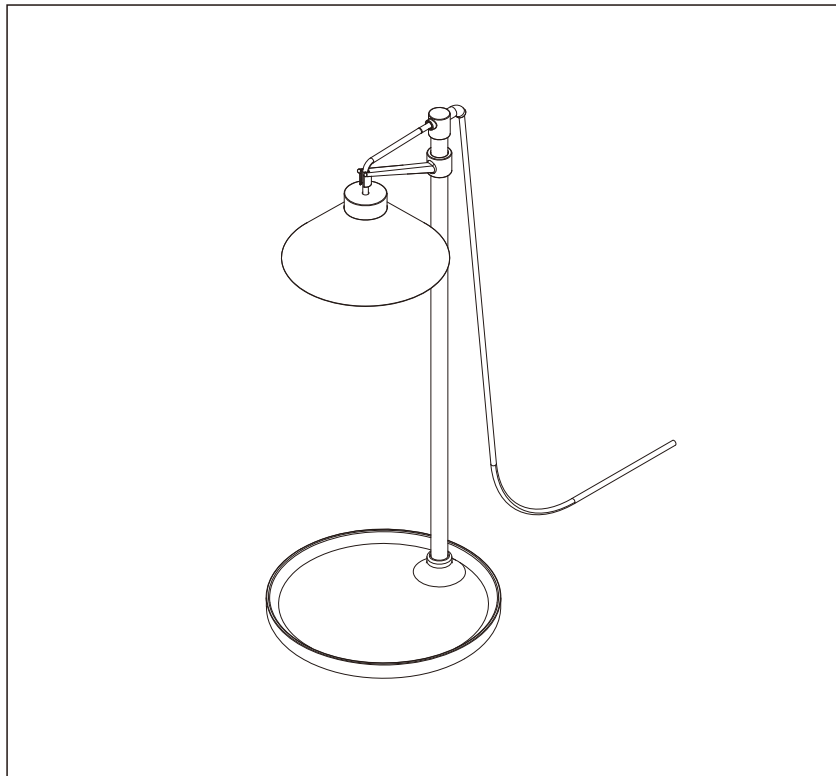




## DESK GROW LAMP Item No. 3527



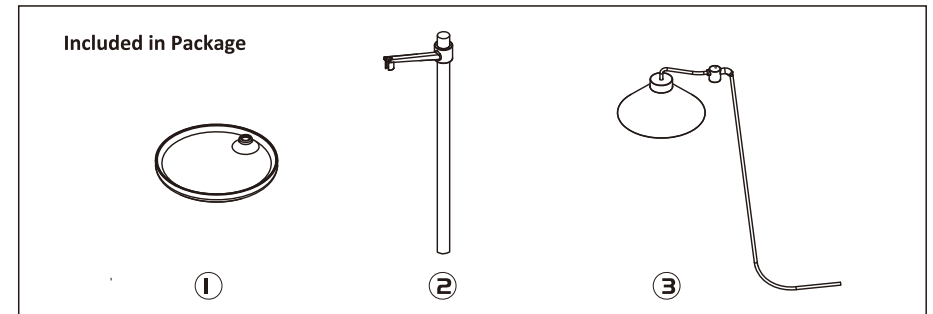
### Instruction manual

Thank you for purchasing our desk grow lamp. This manual will provide instructions for effective and safe use of the product. Please read it carefully before use and store the manual in a safe place for future reference. If you ever pass the product on to others, this manual should be included.

### 1. Safety instructions

- Turn off power before handling the desk grow lamp.
- Don't let child assemble the product.
- Don't use outdoors.
- Do not place, store or use the product near water.
- Do not let moisture come into contact with any electrical parts.
- Do not touch the device or its plug with wet hands.
- Do not use the product in extreme hot, cold or humid environments.
- Do not place near heat sources such as radiators, cookers, etc.
- Do not drop or insert any objects into the openings of the device.
- Place the product on a solid level surface.
- Keep the device upright.
- Do not place anything on top.
- Do not attempt to repair, disassemble or alter the product yourself.
- Do not place or submerge cord, plug, LED light hood in water or other liquid to clean it.

### 2. Packaging Content

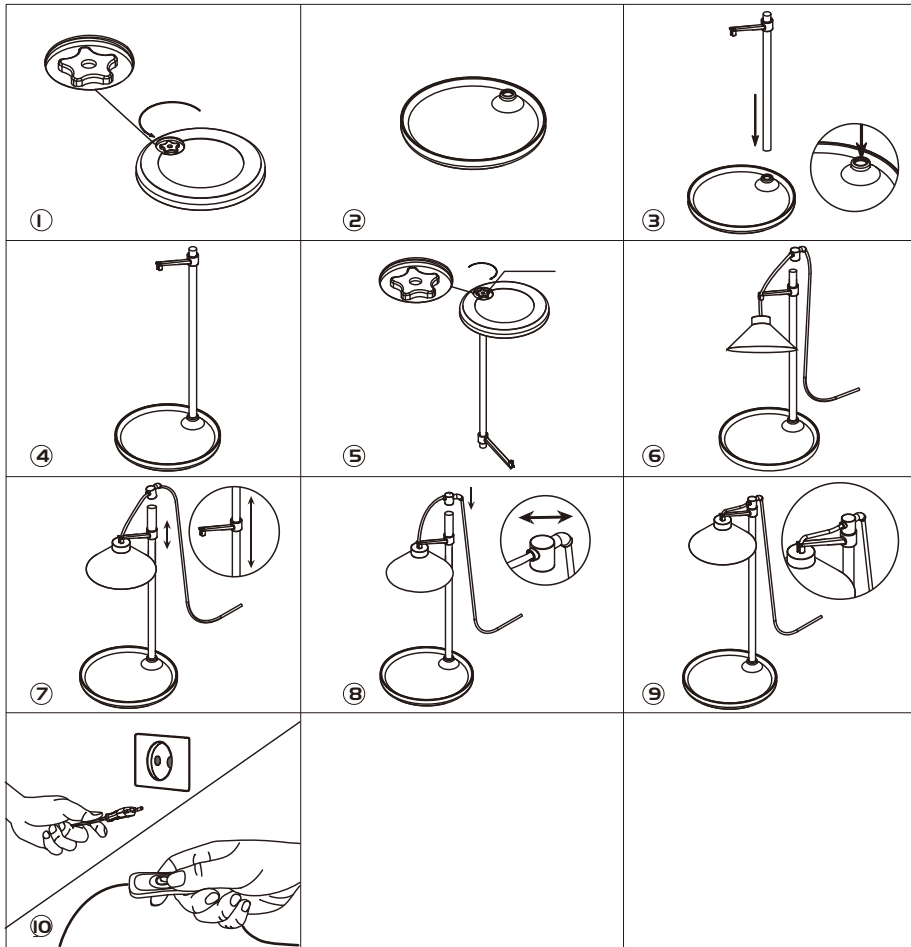


1. tray
2. Wood pole
3. Lighting part with wire

### 3. Technical specification:

Materials	ABS, PC, wood
Power	220-240VAC
Light Source	LED Lights
Wattage	9W
Lumen	550lm
Colour temperature	4000K
Size	210x210x517mm
PPF	8 $\mu$ mol/s

#### 4. Operation



#### 5. Note:

The hanging height can vary according to the height of the plant or if your plants need a lot or little daylight. Adjust the height with the cable.  
When turn on the desk grow lamp, it can automatically light-on 16hours for plants then light-off 8hours, which is in conformity with plant biology and saving energy.

#### 6. Maintenance

- If necessary, clean and outside of the grow light with a slightly damp cloth.  
Dry thoroughly with a clean and soft cloth.

#### 7. Disposal

Dispose of the article and the packaging materials in accordance with current local regulations.



The crossed-out wheeled bin symbol means that this product shall not be disposed of with normal household waste. Electronic and Electrical Equipment not included in the selective sorting process are potentially dangerous for the environment and human health due to the presence of hazardous substances. Please dispose of responsibly at an approved waste or recycling facility.



The CE marking is a certification mark that indicates conformity with health, safety and environmental protection standards for products sold within the European Union. The CE marking is the manufacturer's declaration that the product meets the requirements of the applicable EC directives.



Recycling helps to reduce the consumption of resources and reduce the environmental impact. If you wish to discard the packaging, comply to the environmental legislation in your country.

Art. No.:3527  
Batch. No.:22A42  
Made in China



Karsten International  
Overschiestraat 63  
1062 XD Amsterdam  
The Netherlands