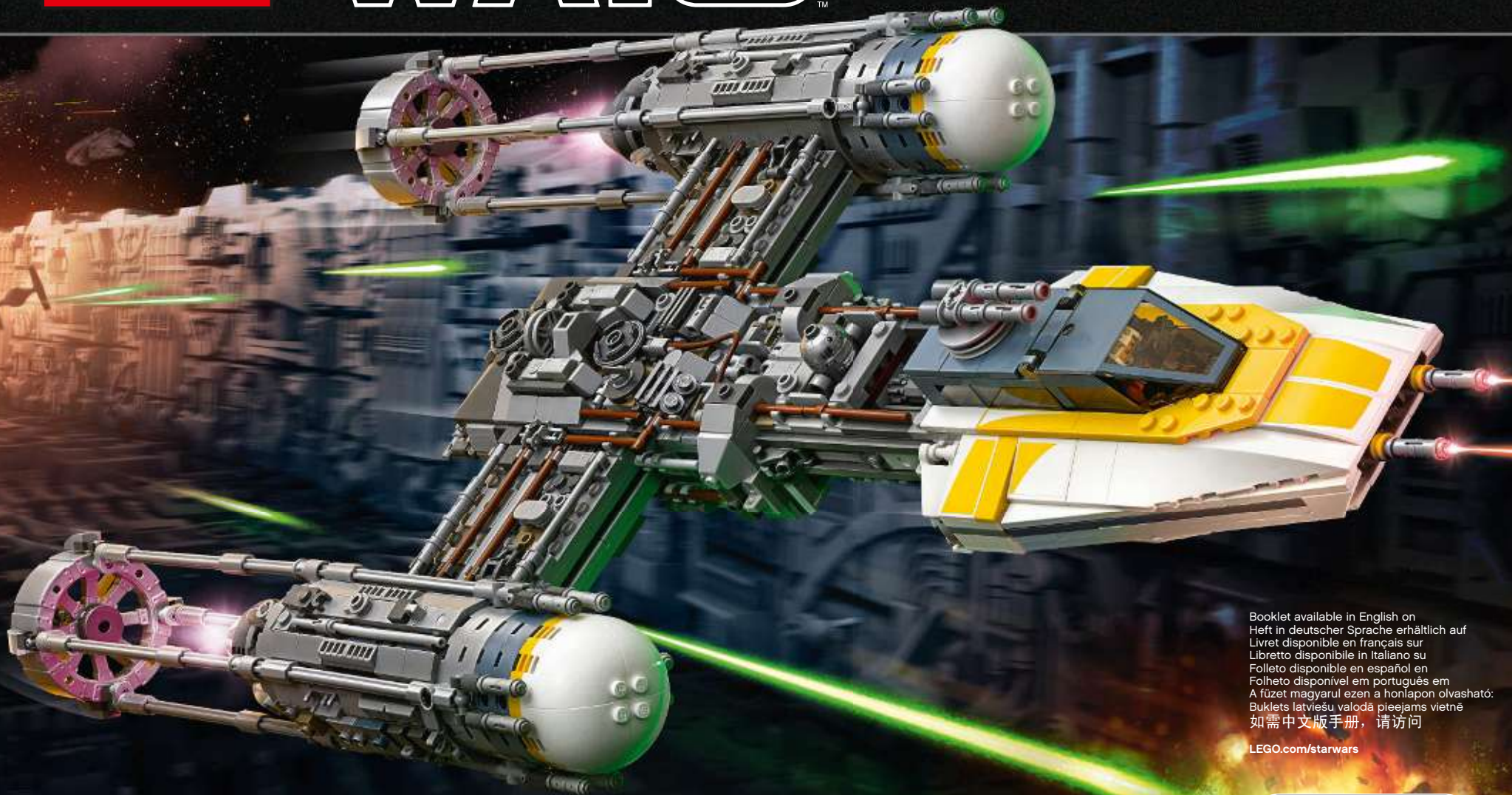




# STAR WARS

ULTIMATE COLLECTOR SERIES



75181

Booklet available in English on  
Heft in deutscher Sprache erhältlich auf  
Livret disponible en français sur  
Libretto disponibile in Italiano su  
Folleto disponible en español en  
Folheto disponível em português em  
A füzet magyarul ezen a honlapon olvasható:  
Buklets latviešu valodā pieejams vietnē  
如需中文版手册, 请访问

[LEGO.com/starwars](http://LEGO.com/starwars)



**“WE’RE STARTING OUR ATTACK RUN!”**



Design Director: Jens Kronvold Frederiksen / Model Designer: Jordan David Scott / Graphic Designer: Madison O'Neil

# ABOUT THE LEGO® STAR WARS DESIGN TEAM

LEGO® *Star Wars* started in 1999 and we have made new models for the product line every year since then. The LEGO *Star Wars* design team consists of eleven model designers and four graphic designers. The team is a mix of brand new designers with new fresh ideas, and experienced LEGO *Star Wars* designers with many models under their belts.

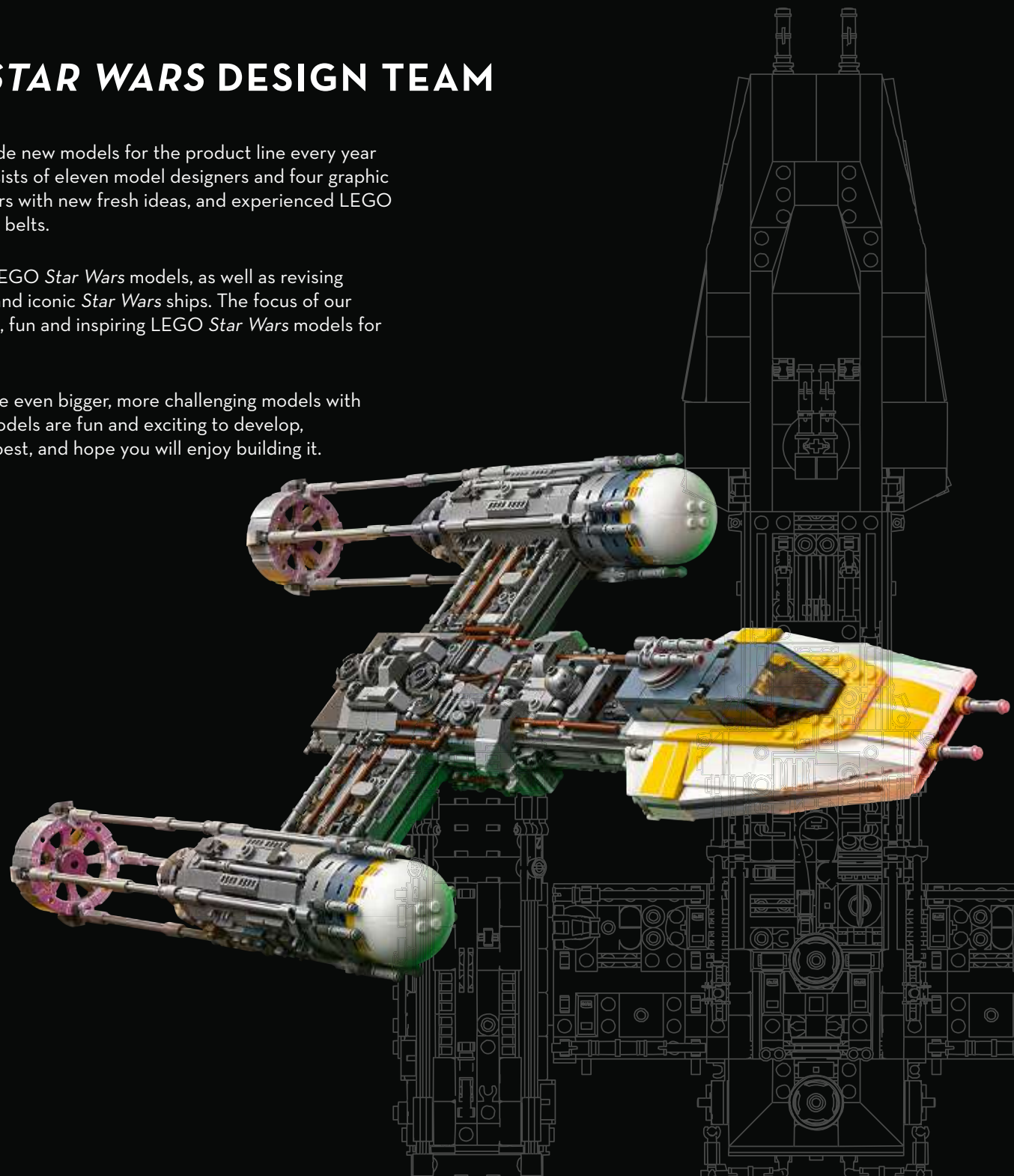
This is an ideal team for creating new, innovative LEGO *Star Wars* models, as well as revising and improving previous LEGO versions of classic and iconic *Star Wars* ships. The focus of our main LEGO *Star Wars* product line is to make cool, fun and inspiring LEGO *Star Wars* models for children.

For LEGO Direct, we have the opportunity to make even bigger, more challenging models with special attention to accuracy and details. These models are fun and exciting to develop, but also a huge challenge! We always do our very best, and hope you will enjoy building it.

Happy building!



Jens Kronvold Frederiksen  
Design Director, LEGO® *Star Wars*™





Ralph McQuarrie © & ™ Lucasfilm Ltd.

## ABOUT THE Y-WING STARFIGHTER™

Glistening with stardust and laden with heavy proton bomb payloads, the Y-wing was a robust fighter-bomber originally designed for use in the Clone Wars. This long-range bomber was eventually superseded by capital ships in the Imperial Starfleet however; so surplus ships were sold, reclaimed, or stolen for use in the Rebellion. Nicknamed “wishbone” by the rebels who used this spacecraft, due to its shape, the Y-wing became an invaluable resource in the fight against the Galactic Empire.

The Y-wing’s design was well-shielded and included aesthetically pleasing fuselage plating when first introduced during the Clone Wars, but the superficial hull plating required continued maintenance, and had to be removed each time work was needed on the interior of the ship. Thus, when the Y-wing was enlisted

into service for the Rebel Alliance, many maintenance crews left off the plating entirely, leaving the main hull exposed. This change lightened the weight of the spaceframe and also served to cool the engines faster, which boosted the performance of the Y-wing.

With a powerful ordnance and reliable hyperdrive, the Y-wing was used in numerous conflicts. The sturdy hull and defensive shields allowed the ship to survive flak hits during bombing runs, but due to its speed, the Y-wing was vulnerable in dog fights with the much faster TIE fighters. As a testament to the Y-wing’s utility, the rebel group on Yavin 4 stocked its Gold Squadron entirely with powerful Y-wings.

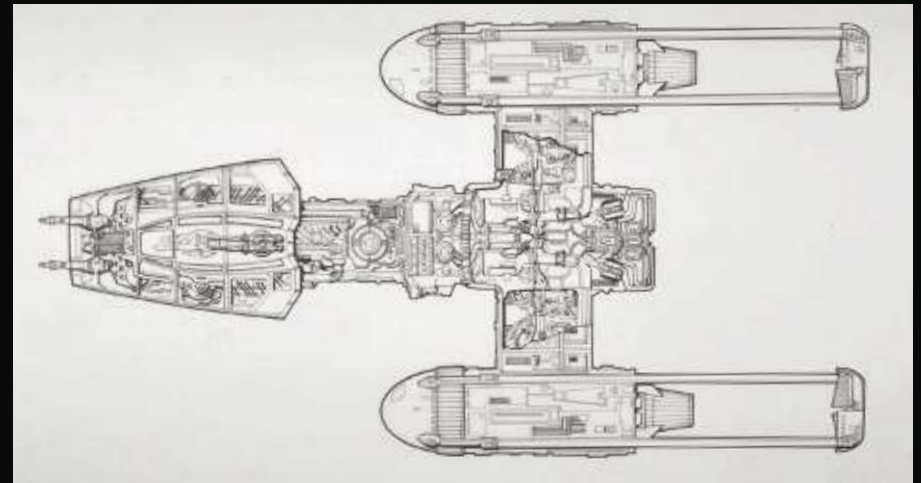
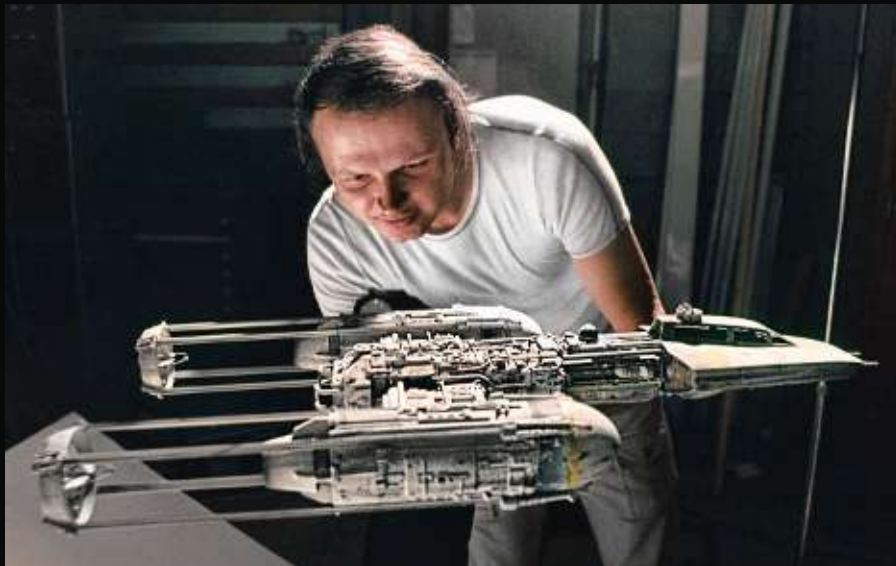
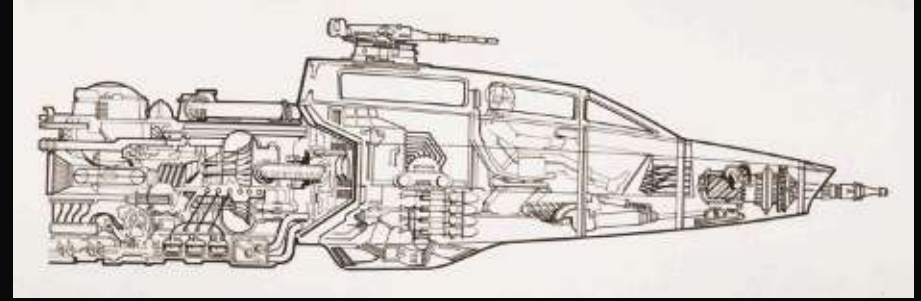
# FACTS/SPECIFICATIONS

## BTL Y-wing Facts

Manufacturer.....Koensayr Manufacturing  
Model.....BTL Y-Wing Starfighter  
Affiliation.....Rebel Alliance

## Technical Specifications - BTL Y-wing

Length.....16.24 meters  
Height.....2.44 meters  
Maximum atmospheric speed.....1,000 km/h  
Hyperdrive rating.....Class 1.0  
Armament.....Taim & Bak IX4 laser cannons (2)  
SW-5 ion cannons (2)  
ordnance launcher  
Engine unit.....Turbo-modified R200 starboard ion engine  
Crew.....1 pilot  
Astromech droid



# MEET THE MODEL DESIGNER

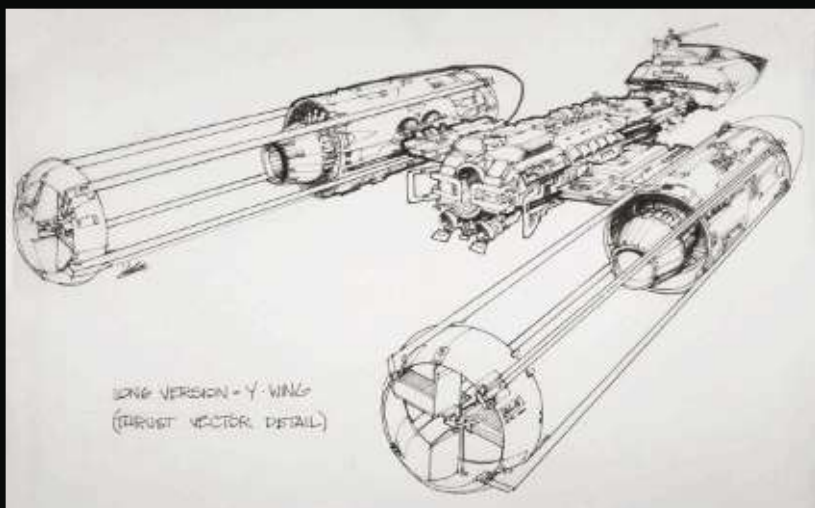
## Jordan David Scott

**Q: There are many unique and storied vehicles in the *Star Wars* universe. What is the process behind choosing the next amazing LEGO® *Star Wars* vehicle the team will create?**

**A:** Deciding the next model is a long process with many factors in play! First, we look at our fans' feedback and requests for new potential models. We also look at earlier versions of a potential new model; how long ago was it launched and how can we improve it in a new version? Finally, if there is a new *Star Wars* movie out, or other relevant content, this can also influence our choice for a new model.

**Q: There are several different versions of the Y-wing; the BTL-S3 two-man strike fighter, the BTL-A4 with a front-facing ion cannon, the "Longprobe" model and of course, the very first version, the BTL-B. How did you decide which Y-wing version would be built in LEGO brick form?**

**A:** We wanted to make the most iconic depiction of the Y-wing from the *Star Wars* universe. The BTL-A4 Y-Wing Starfighter appears in *Star Wars* Episode IV: *A New Hope* in the trench run scene. It is one of the most iconic *Star Wars* scenes, so we had to go with this version.



© & ™ Lucasfilm Ltd.



Jordan David Scott

**Q: The Y-wing was known for having removable hull plating that was often left off. What techniques did you use to ensure the model would be robust enough with so much fuselage exposed?**

**A:** When I started to build the Y-wing, I knew that the engines on the sides were going to be my biggest problem. They are very long and very thin. This also affected the balance point and made locking these engines quite tricky. I tried a few different designs, but in the end it turned out that a simple Technic frame and some very stable cross axles were all I needed to make it strong and easy to build. This allowed me to hide the entire construction in the amazing details of the Y-wing's exposed fuselage.

**Q: What sets the Y-wing apart from other LEGO *Star Wars* sets?**

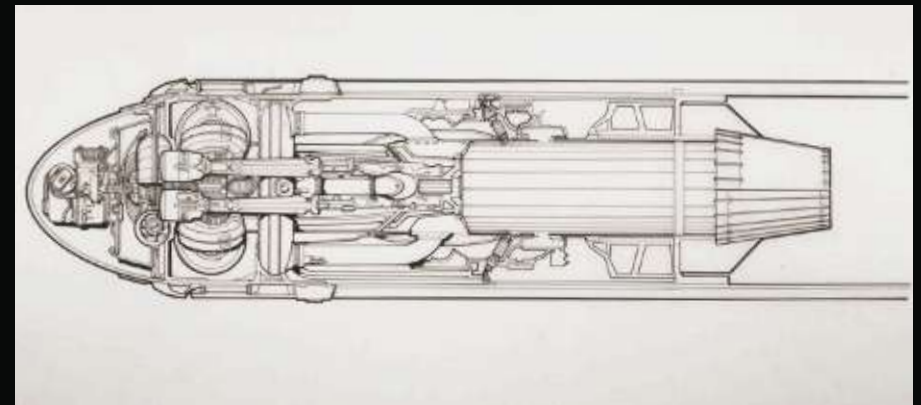
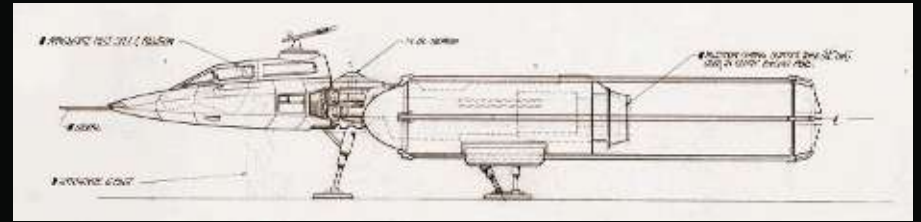
**A:** I think this is one of the few UCS *Star Wars* sets that has so much greebling, literally every part of the model is packed with intricate small details and builds.

**Q: Was any part of the Y-wing particularly challenging to recreate with LEGO® bricks? How did you solve the problem?**

**A:** Most definitely. The engines on the sides as I mentioned were very tricky to make stable, but the most challenging part was that they are cylinders. The previous version of the UCS Y-wing was more square in its construction, so I wanted to try and improve this, but it led to a lot of building challenges. The support pylons that run all the way down the engines are built on 4 sides, which is easy to build. However, the challenge was then attaching the whole engine to the chassis of the model. My connection points were on the same angle as the support pylons, which isn't accurate. I had to use some very weird builds with turntables to get this 45-degree angle connection point. After that, I still had to build in the details and make it look round. It was a big challenge but I am glad it paid off in the end, and I think it looks pretty accurate... I hope fans do, too.

**Q: How accurate is the LEGO Y-wing, compared to the real in-universe vehicle?**

**A:** In my eyes, it's pretty accurate. I had a lot of great reference from Lucasfilm and model kits around the office. However, like the studio-scale models, several were used for filming different scenes, so it was very difficult to pinpoint exactly which Y-wing I was building from. In the end, I would say the LEGO® Y-wing is a combination of a few different models.



© & ™ Lucasfilm Ltd.

**Q: What features of the Y-wing were important for you to include in the final design?**

**A:** When looking at the reference images, I particularly liked the sand blue stripe running down the side of the cockpit. The stripe made for an interesting build but I think it worked out, and a similar technique was used on the smaller retail product from *Rogue One*. Another detail I wanted to keep, like in the UCS Snowspeeder I worked on, was the detailed underside of the model. I feel it is very important to make sure that no matter which part of the model you look at, there are accurate details from the movie.

**Q: What goes into the colour selection of the LEGO bricks used to create the model? Do you try to match the colours of the vehicle from the film, or are there other elements taken into consideration?**

**A:** For the exterior of the model, we definitely have to match it as closely as possible. Luckily, the Y-wing is quite muted in colour but with some nice accents. For this, I used lot of grey and dark grey but then added in some splashes of brown and dark red for piping and dark tan for some more rusty, worn details. Inside, the model is quite colourful to make the building experience easier. I am from Scotland so I always try to hide a blue and white brick in the build somewhere. The cockpit is all white, so that wasn't too difficult!

# MEET THE GRAPHIC DESIGNER

## Madison O'Neil

**Q: How do you begin the graphic design process for a new set and new minifigures?**

**A:** When the graphic design process begins, we usually have a solid idea of which characters we want to include. From that point, I move to reference-gathering and graphic design exploration. Exploration usually involves creating several different versions of the same design, playing with the colour choices and sizes of elements. I will occasionally sketch by hand, but most of the time I start directly in Adobe Illustrator. We then have several rounds of discussions and reviews within the *Star Wars* graphic design team to make refinements, and of course Lucasfilm approval is the final step where revisions may be required.

**Q: What challenges do you face when creating designs that need to be recognisable and sufficiently detailed, but also small enough to fit on a minifigure?**

**A:** The greatest challenge comes from *Star Wars* characters that are overloaded on detail. A standard minifigure is tiny, and very differently proportioned from an actual human. Fitting in all the important details can sometimes feel like a jigsaw puzzle. But, part of the LEGO® DNA is simplification. We determine the most important details to prioritise in our characters, perhaps eliminating small things that add little value to a design at this scale.



Madison O'Neil



© & ™ Lucasfilm Ltd.

**Q: Are there any memorable details from the movie versions of the minifigures that were important for you to incorporate in the final design?**

**A:** Most important in this set was of course the helmet of Gold Leader, a.k.a. Jon "Dutch" Vander. The olive green colour and the symbols on its sides make it quite unique.

**Q: What do you find enjoyable about the minifigure design process?**

**A:** I have the good fortune of being both a huge *Star Wars* fan and a huge LEGO fan, so being able to translate characters from one beloved universe to another is a truly special experience for me. If I had to pick a favorite part of the process, it would have to be the full completion of a design, which to me is when I receive the printed elements for the first time and can hold the character in my hands.

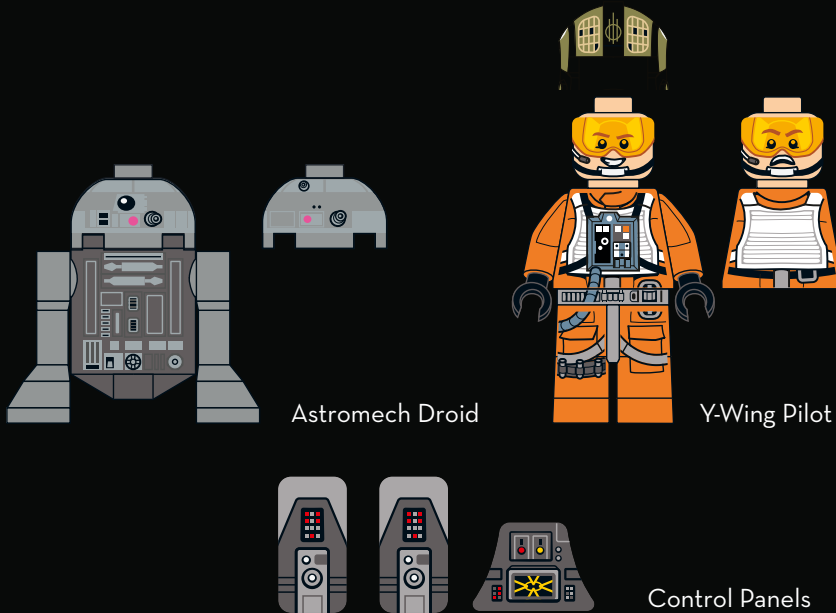


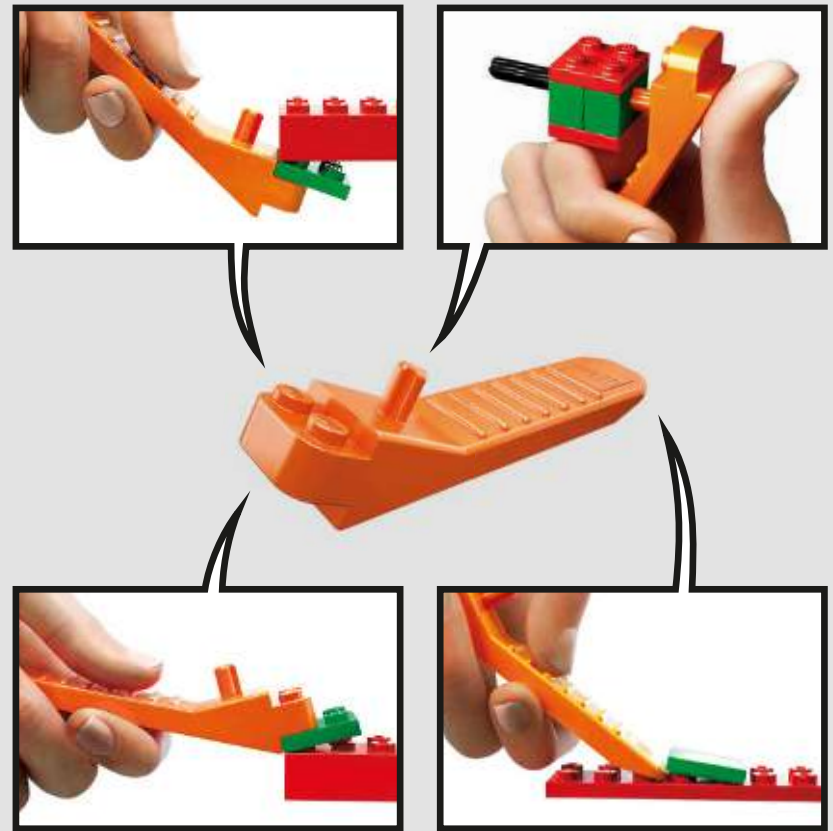
**Q: What do you use as reference material for designing the minifigure decos? Film stills? Licensed art?**

**A:** This can depend largely on which film the character is from. If the film hasn't been released yet, we will receive concept art and turn-around images of the character to work from. If the character is from the original trilogy or prequels, I prefer to go back and collect stills directly from the films. I feel that this provides the best representation of how the audience will have experienced a given character, and also provides a good excuse for me to watch *Star Wars* at work! For Gold Leader, I collected images from *A New Hope* and even referenced his brief cameo appearance in *Rogue One*.

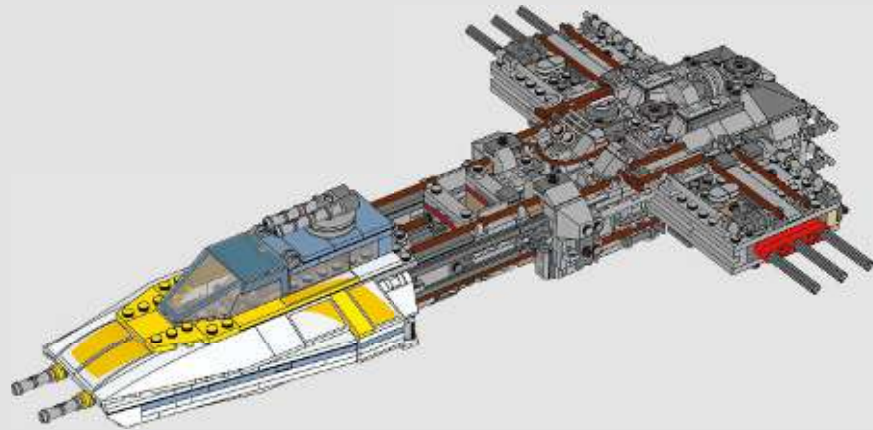
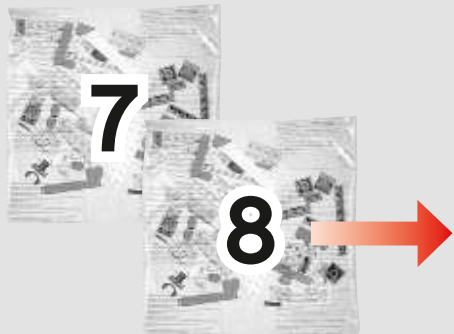
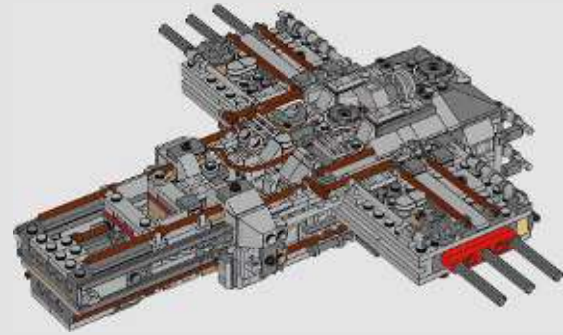
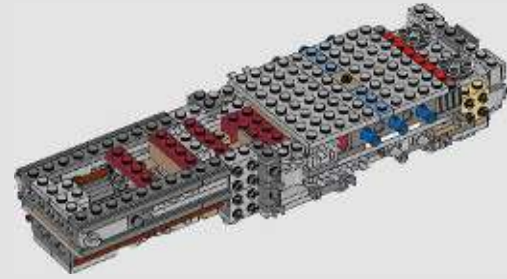
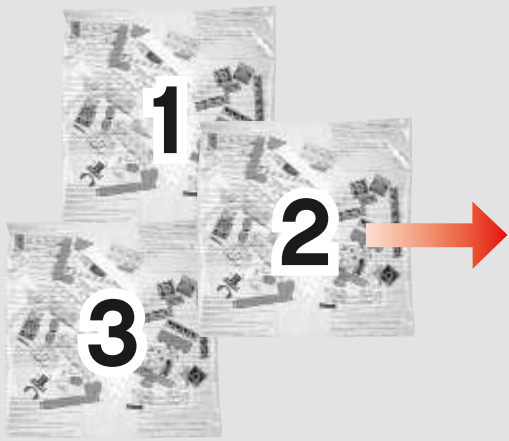
**Q: Characters from the *Star Wars* universe are very detailed. How do you pick and choose which details to bring to life, and which are ultimately not as important in the final design?**

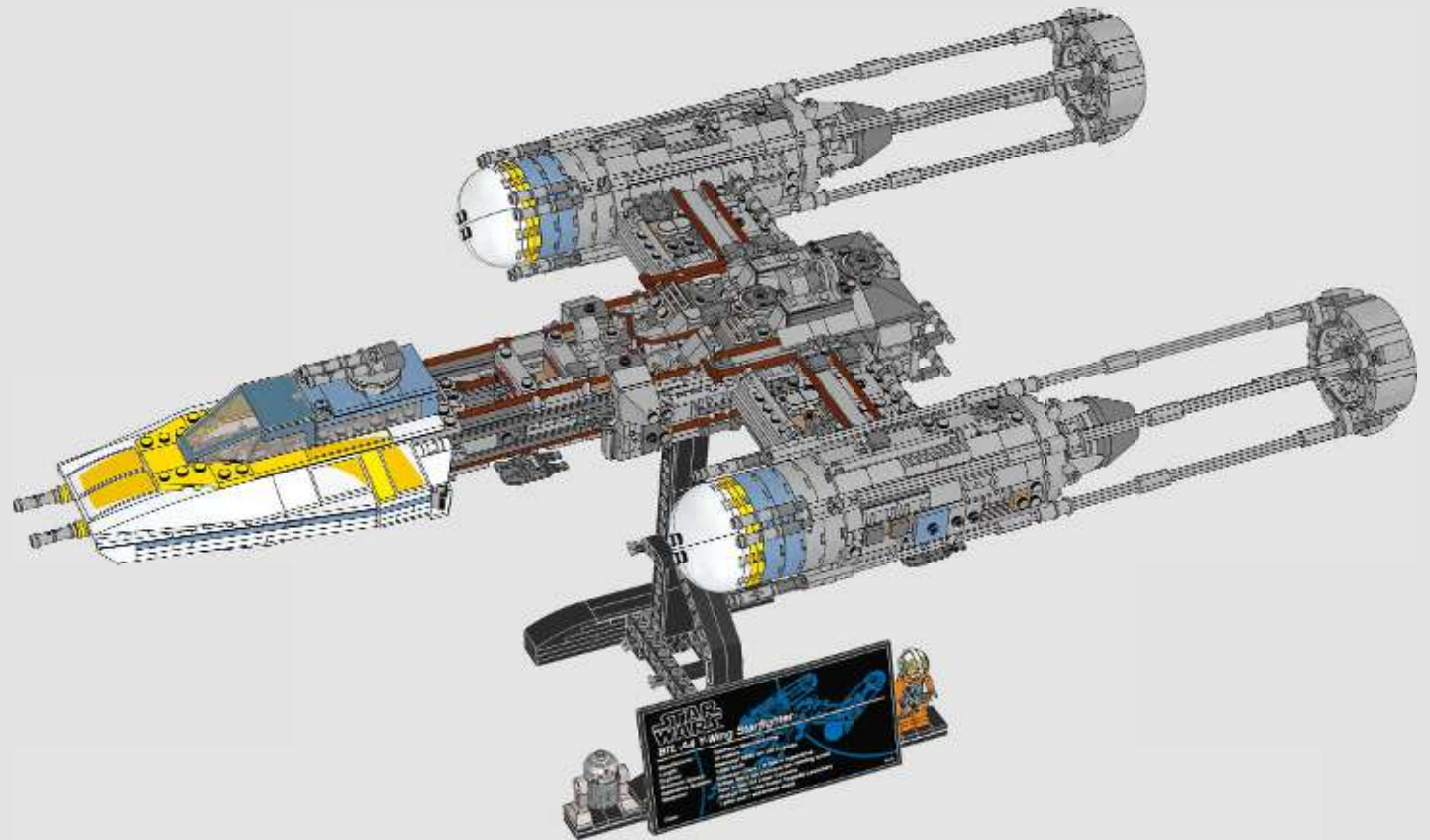
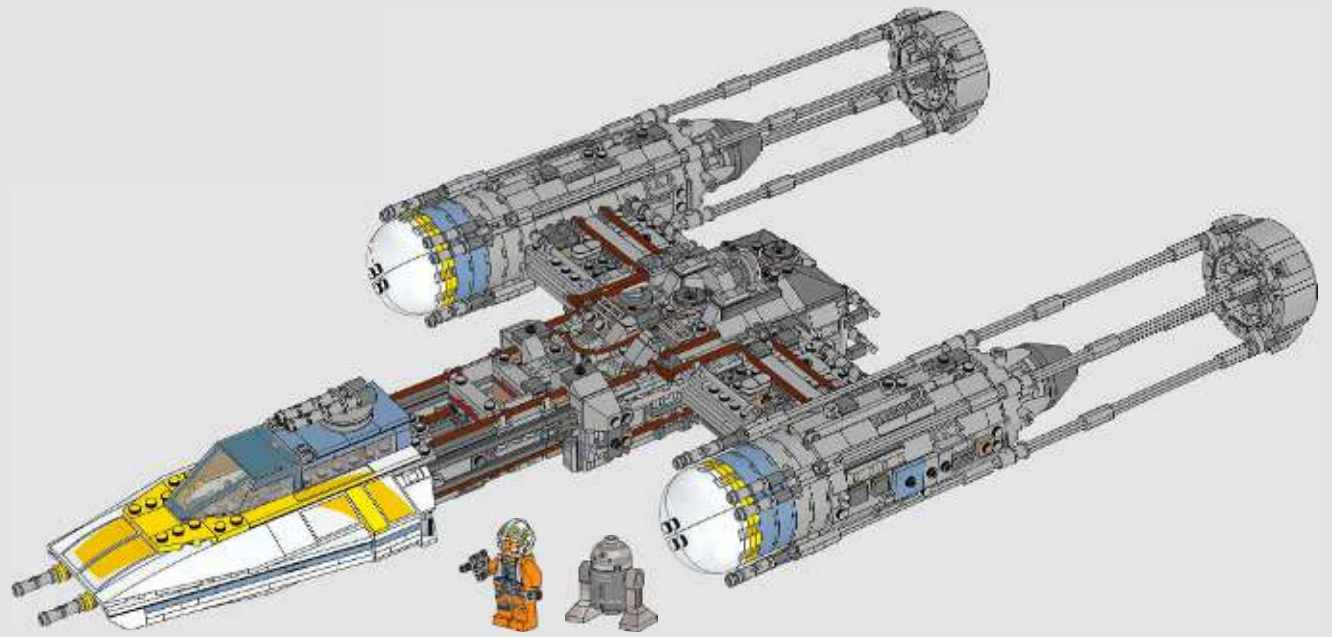
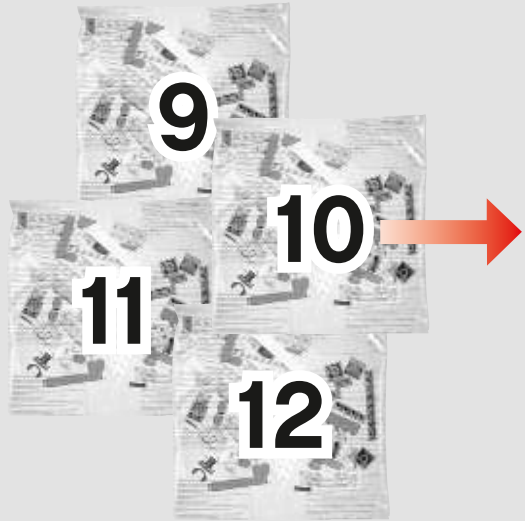
**A:** I think it comes down to scale and impact. We have many design requirements when it comes to ensuring quality graphics, like minimum stroke thicknesses and dot size. Some details on characters are too small to include simply due to our guidelines. Other small details might be weeded out because they are not as impactful... they are not the things a fan will remember about the character. The most interesting and memorable features are always accentuated.

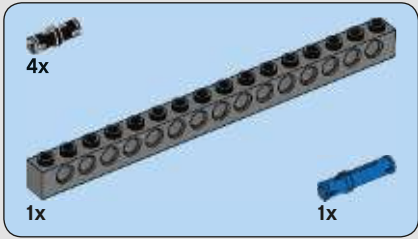
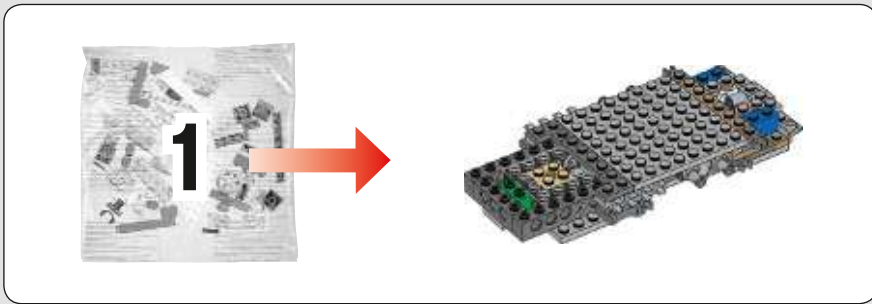




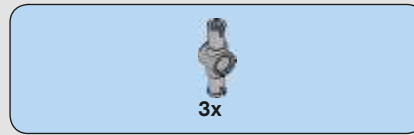
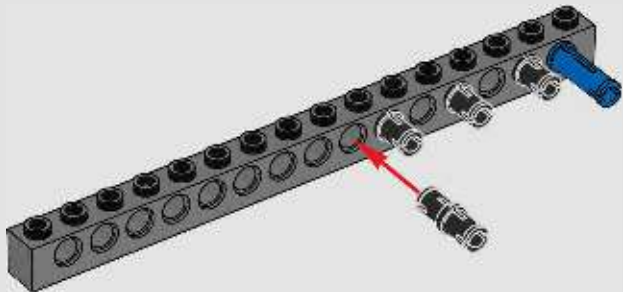
[LEGO.com/brickseparator](https://LEGO.com/brickseparator)



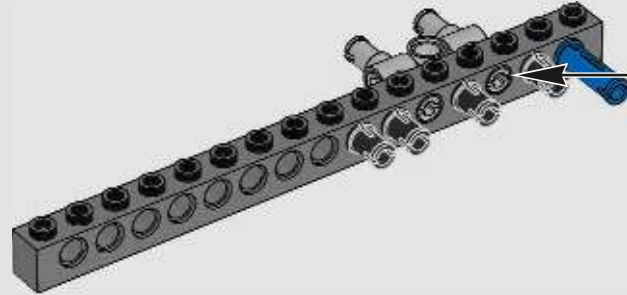
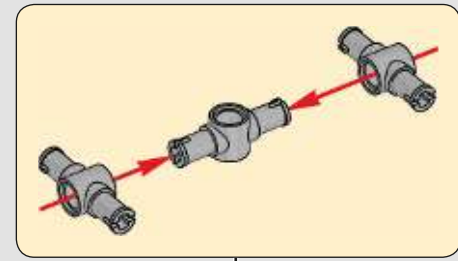




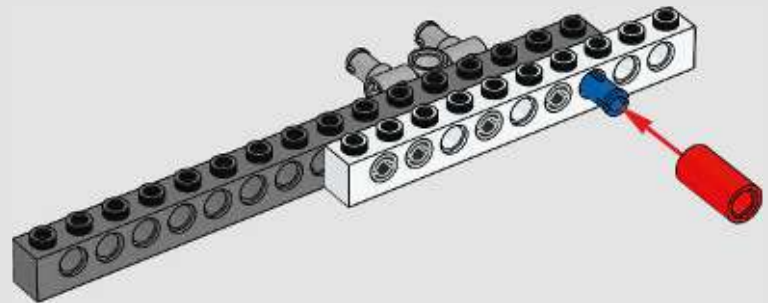
**1**

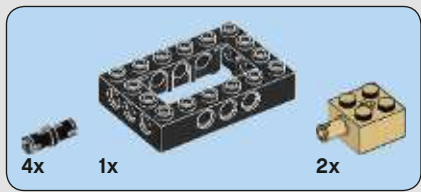


**2**

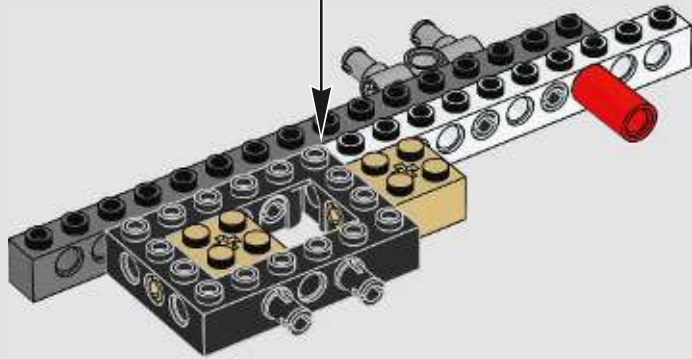
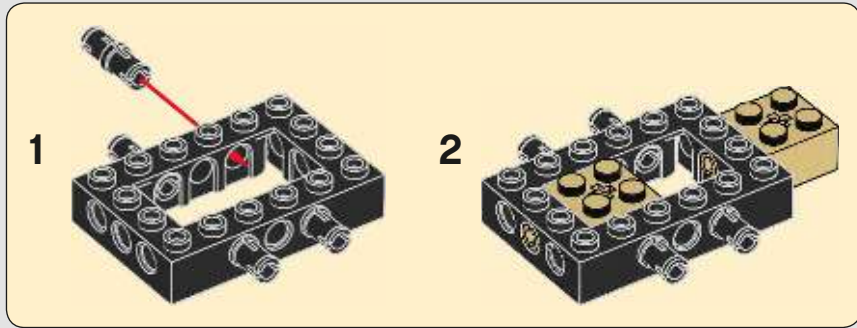


**3**



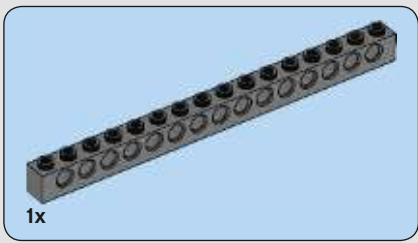


4

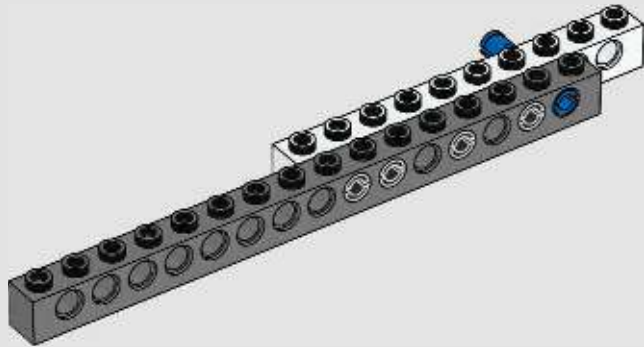


5

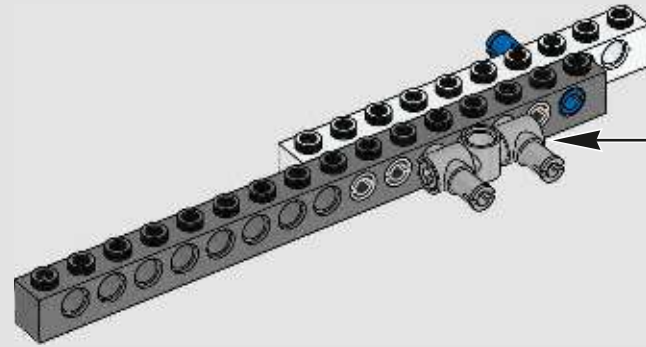
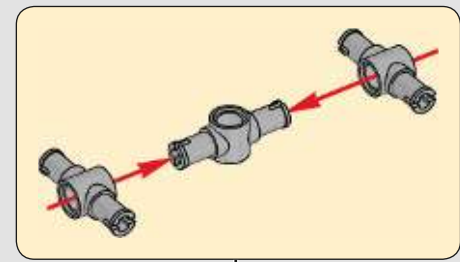




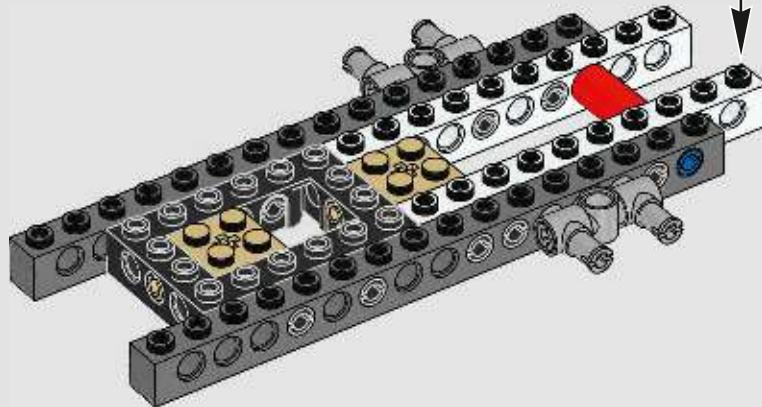
6

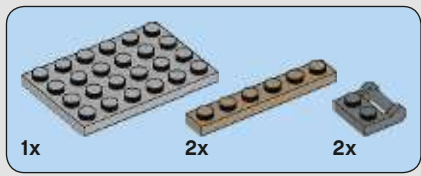


7

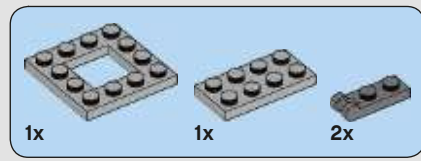
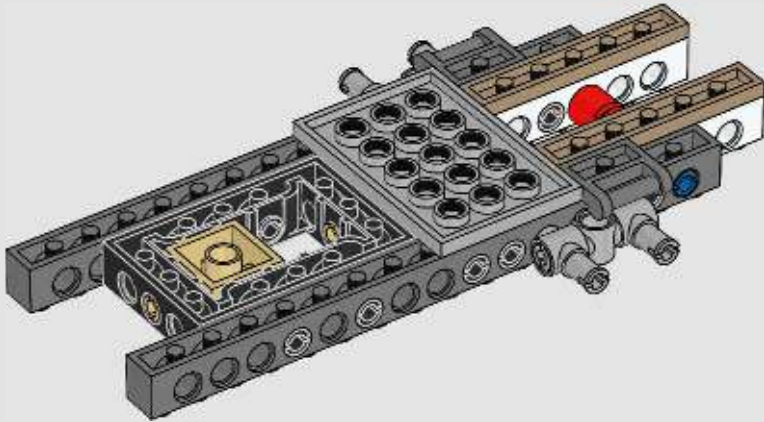


8

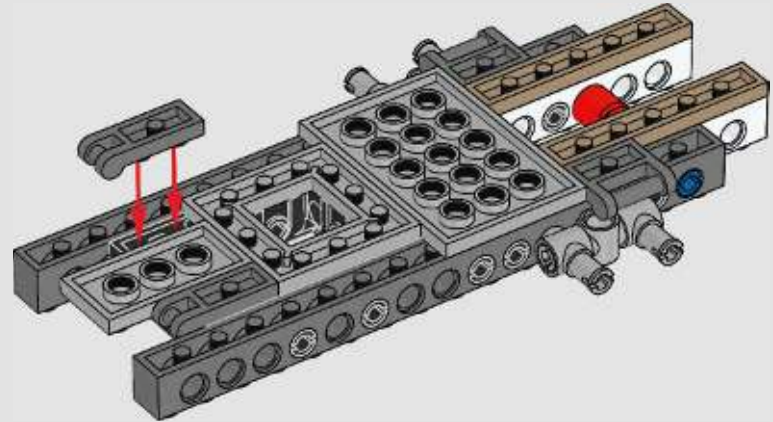




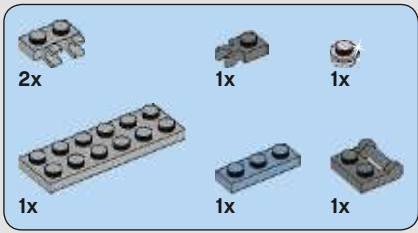
9



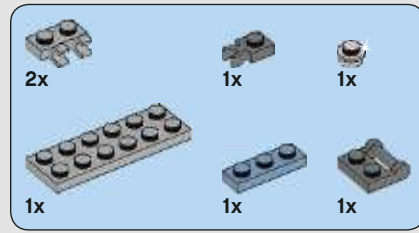
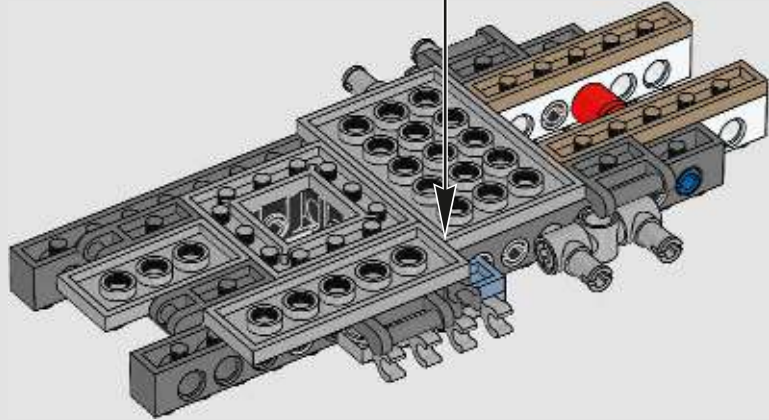
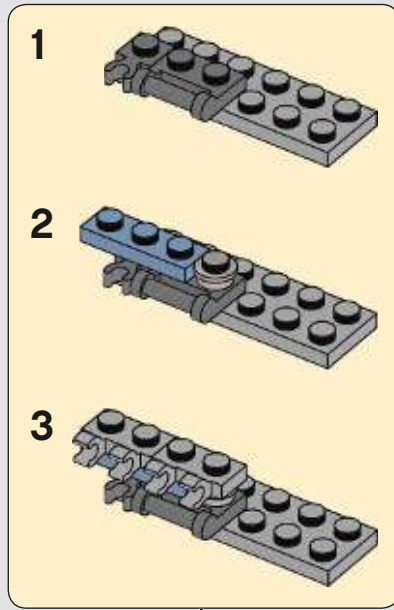
10



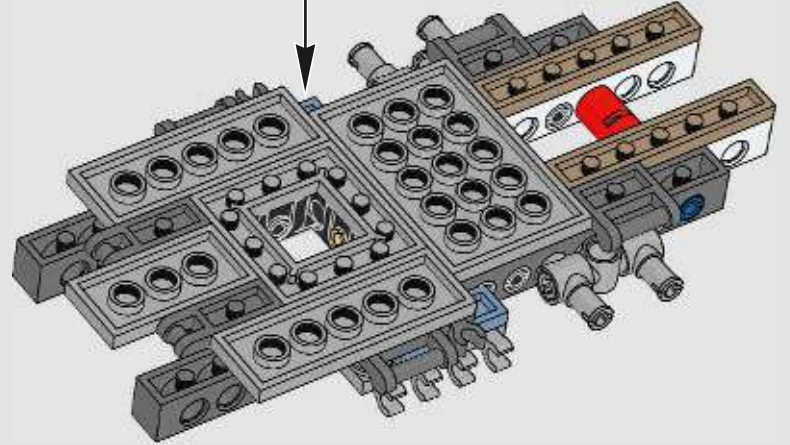
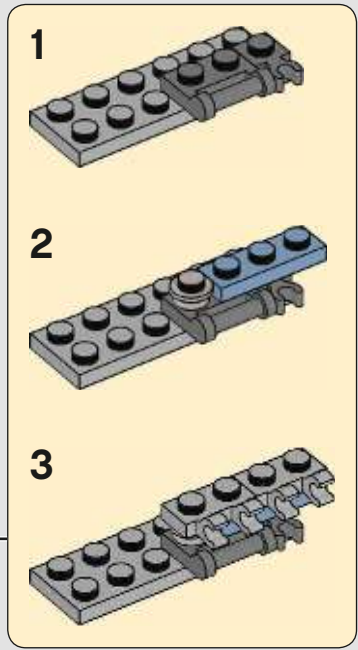


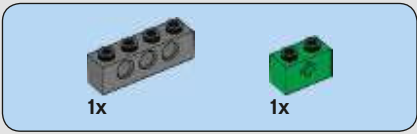


11

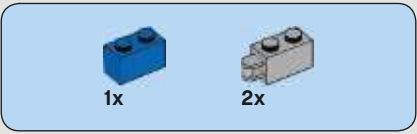
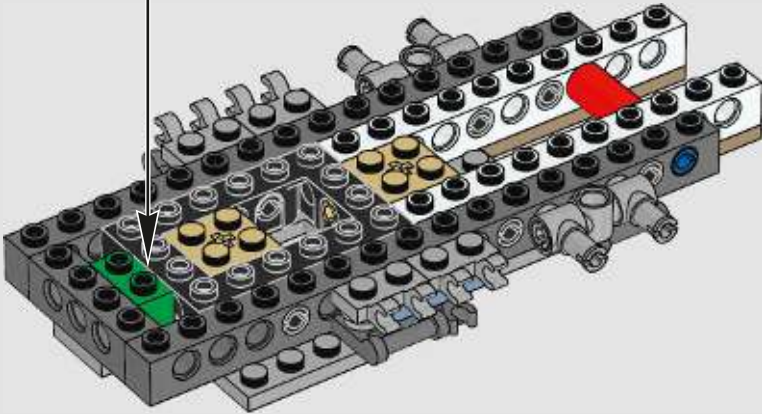


12

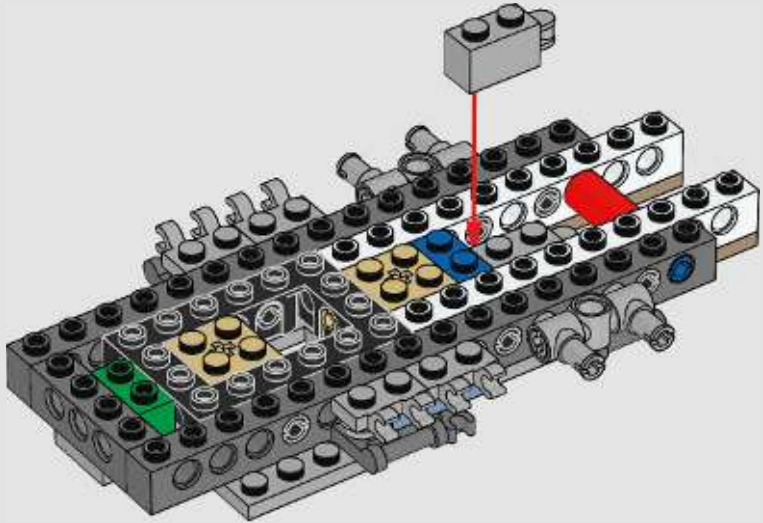


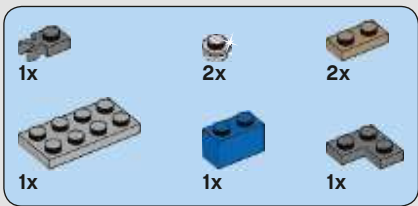


13

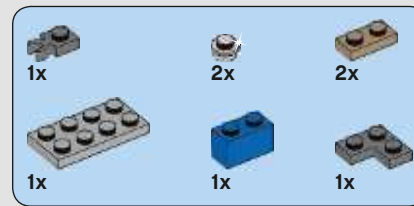
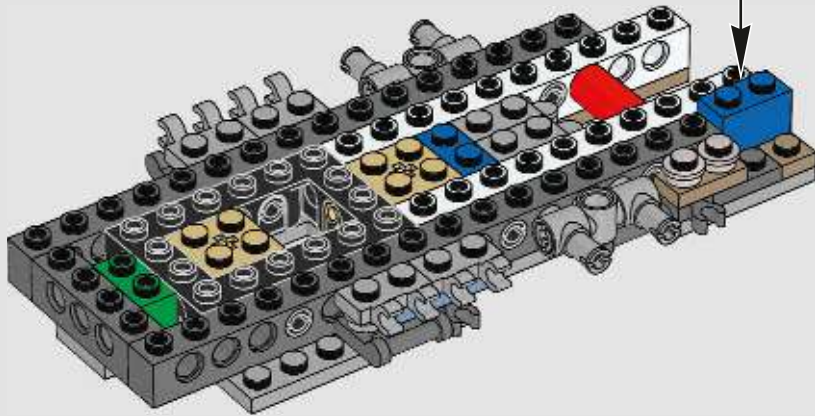
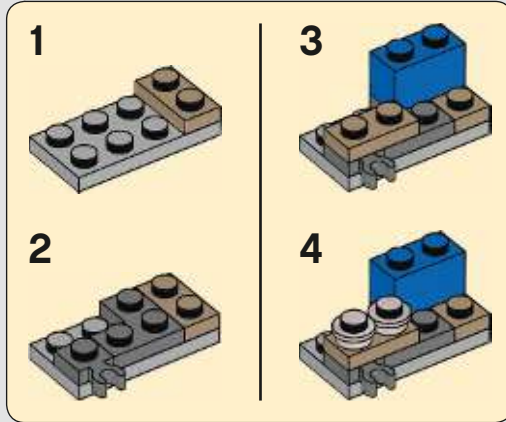


14

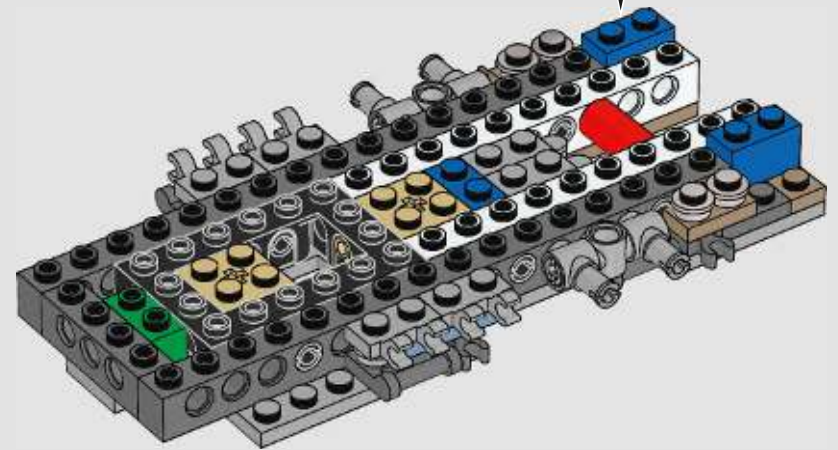
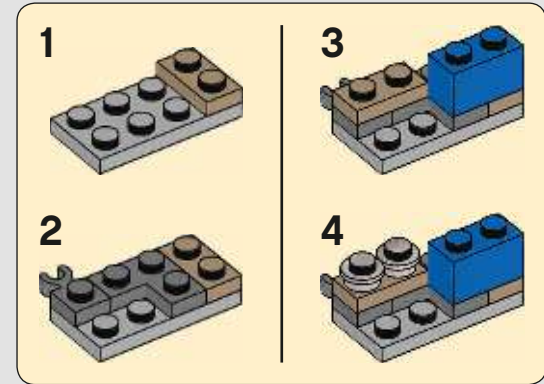


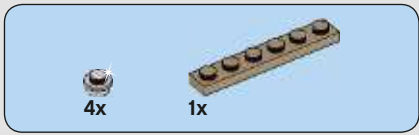


15

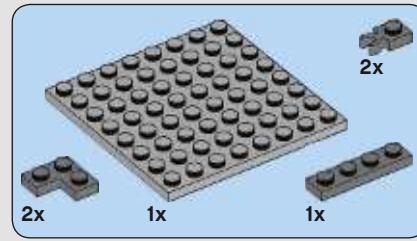
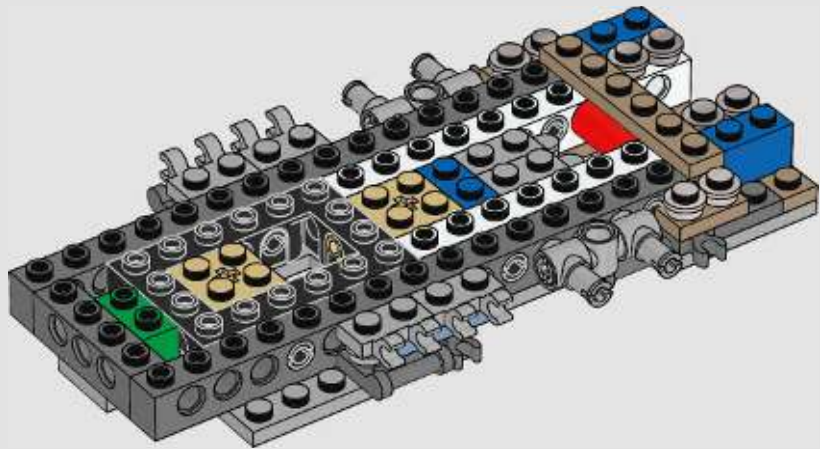


16

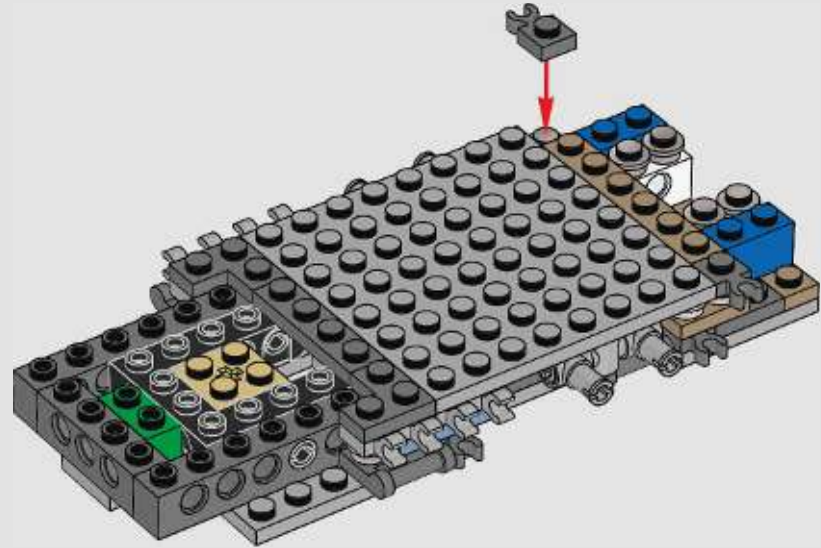


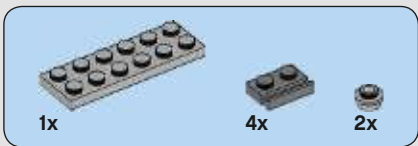


17

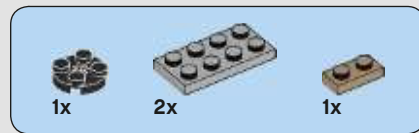
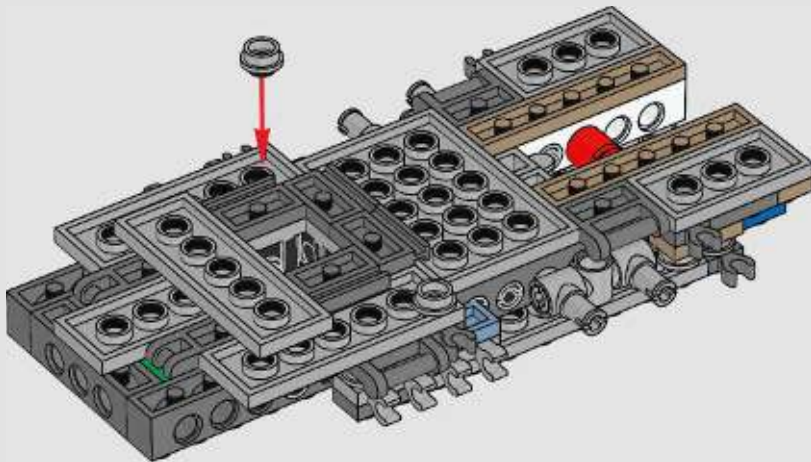


18

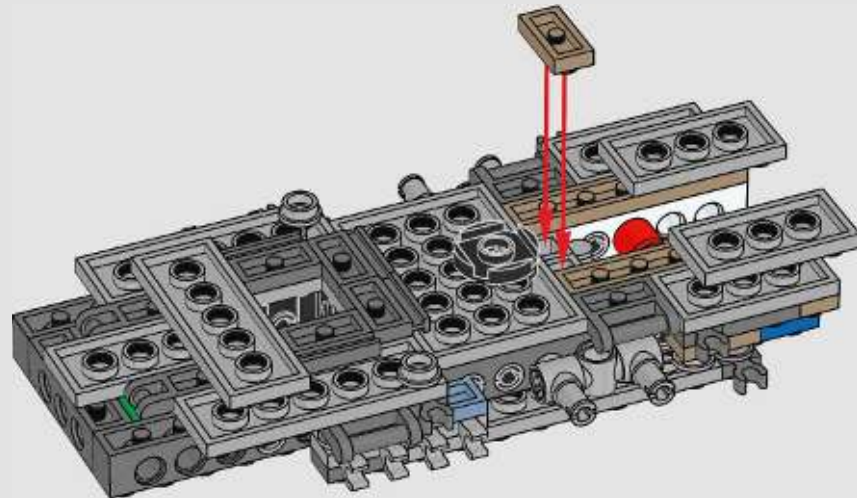


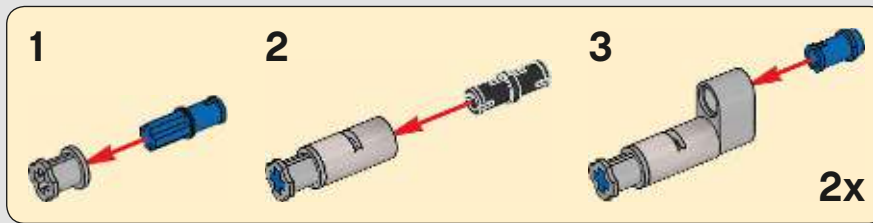
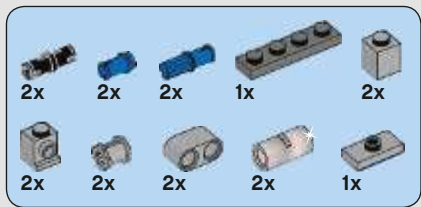


19

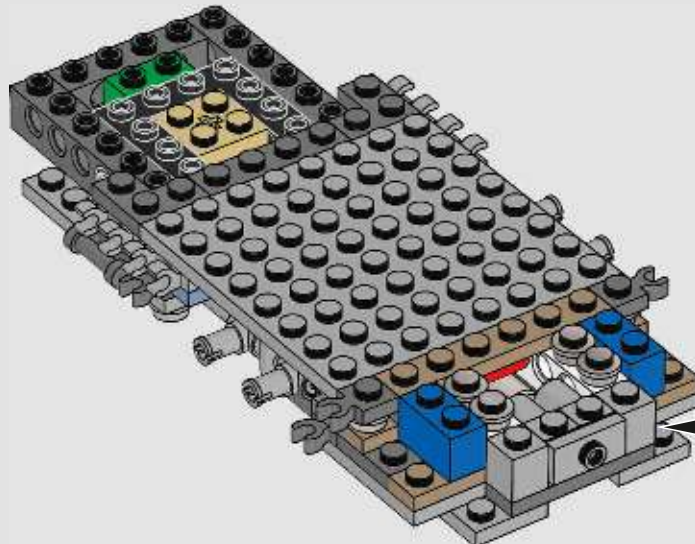
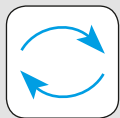
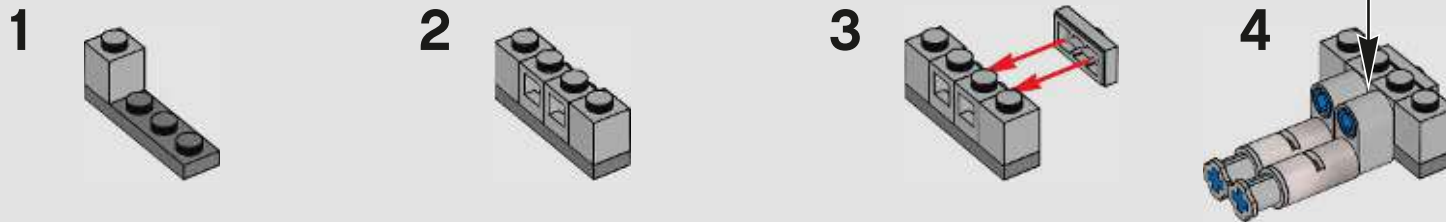


20





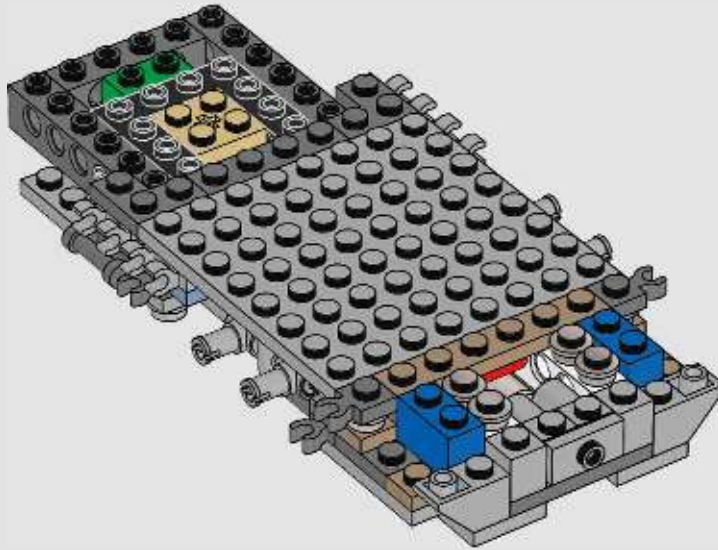
# 21





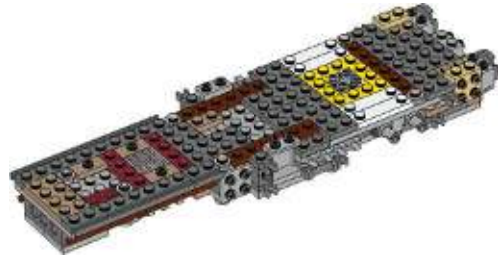
2x

22





2

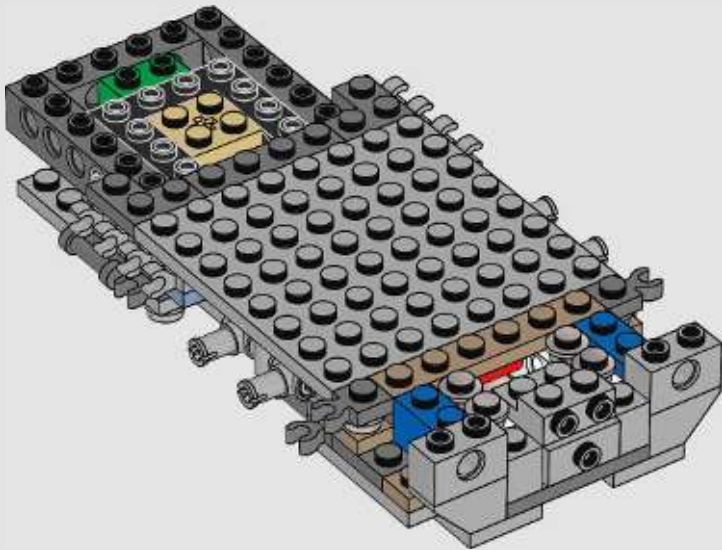


2x



1x

23

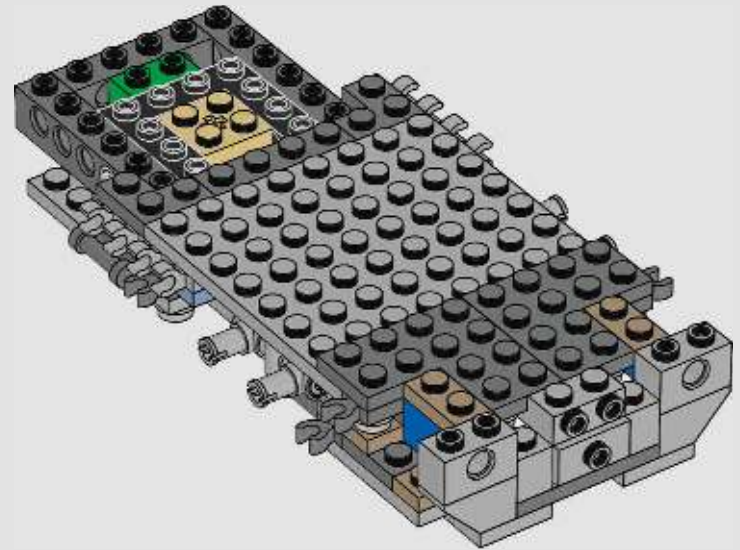


2x

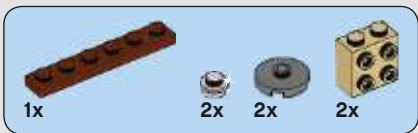


2x

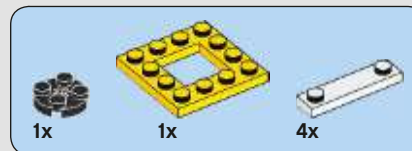
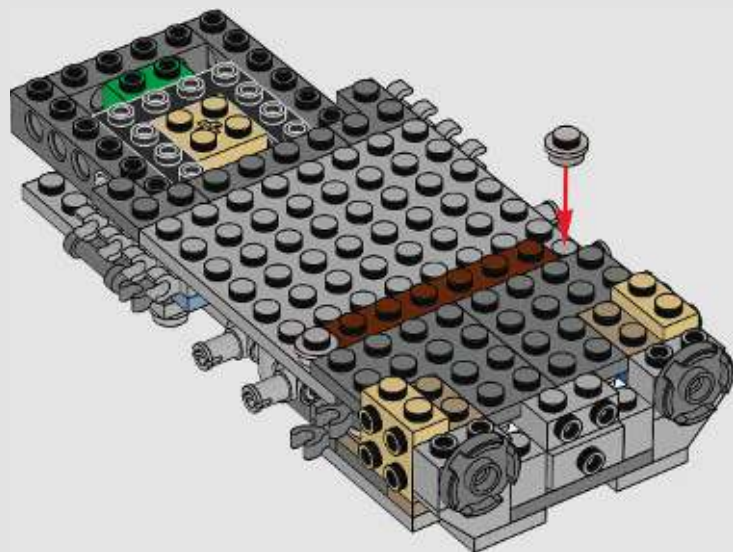
24



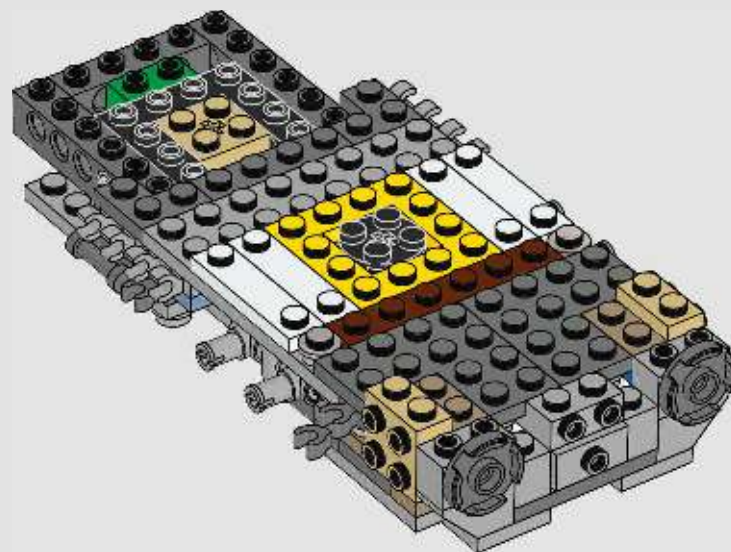


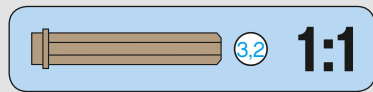
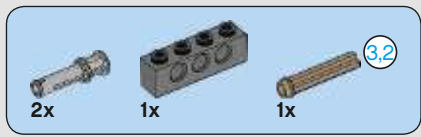


25

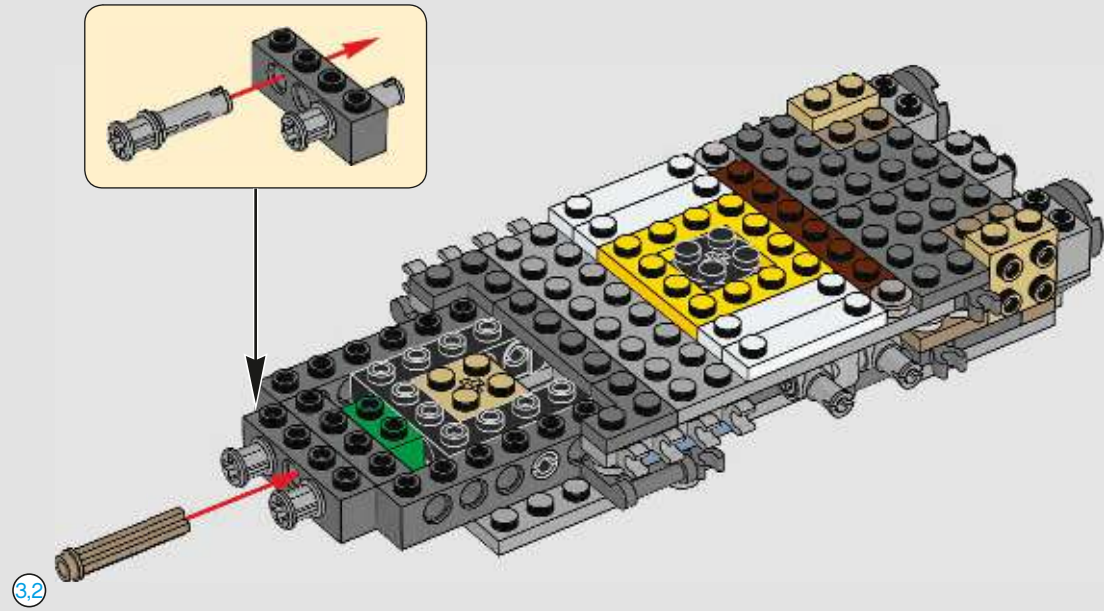


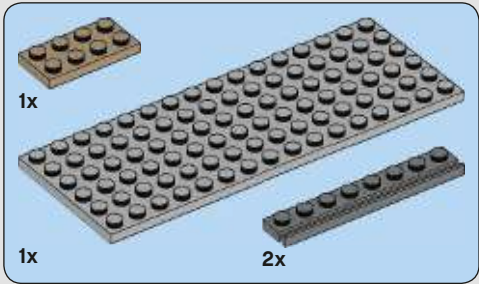
26



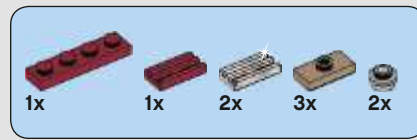
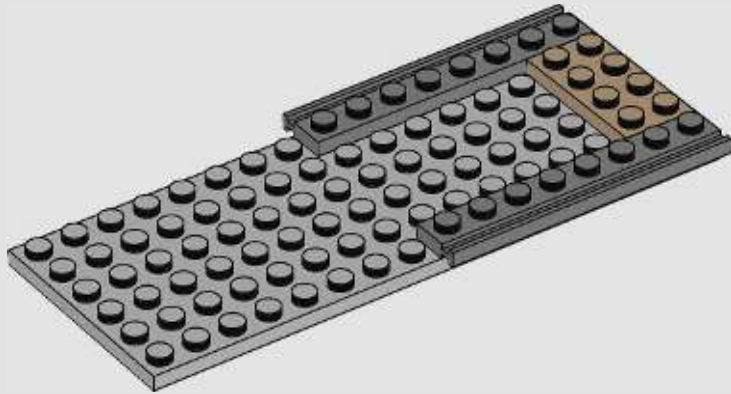


27

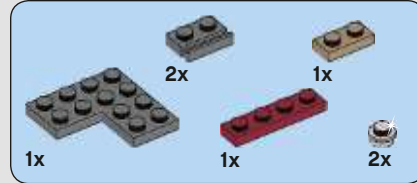
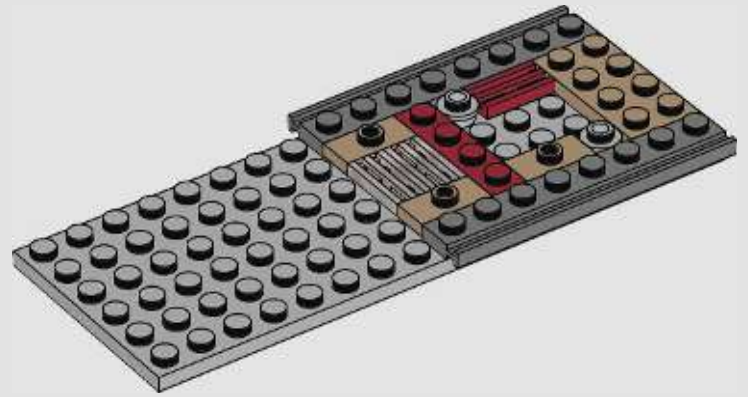




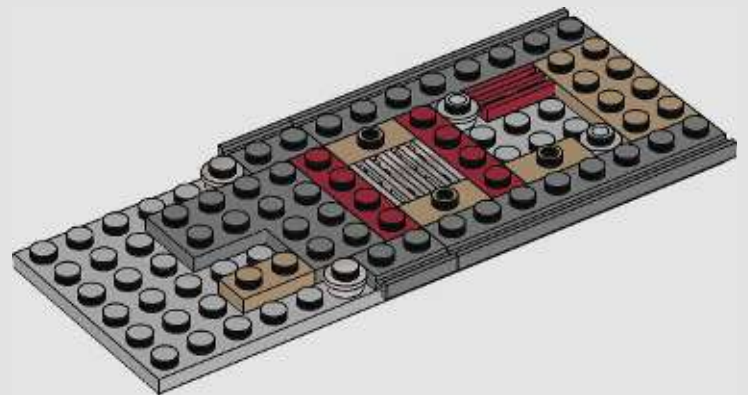
28

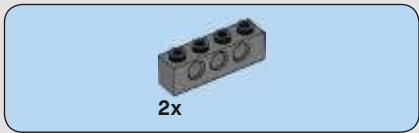


29

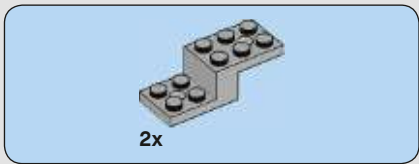
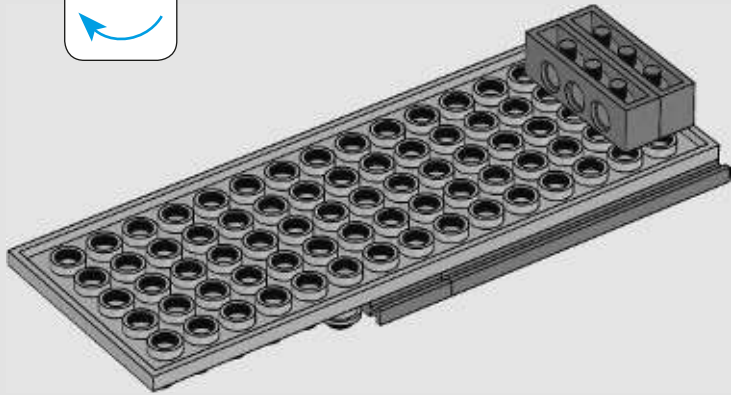


30

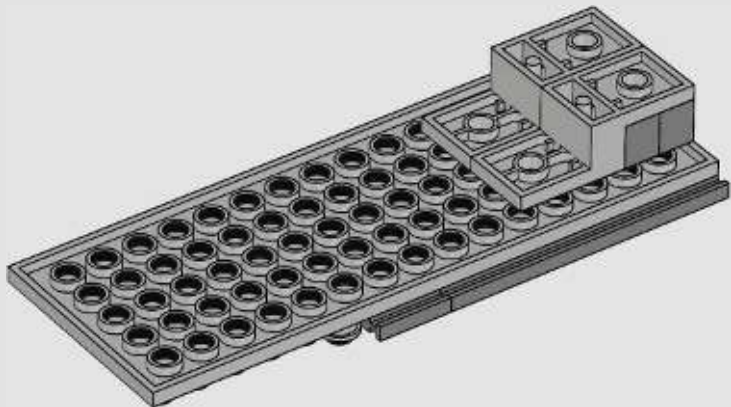




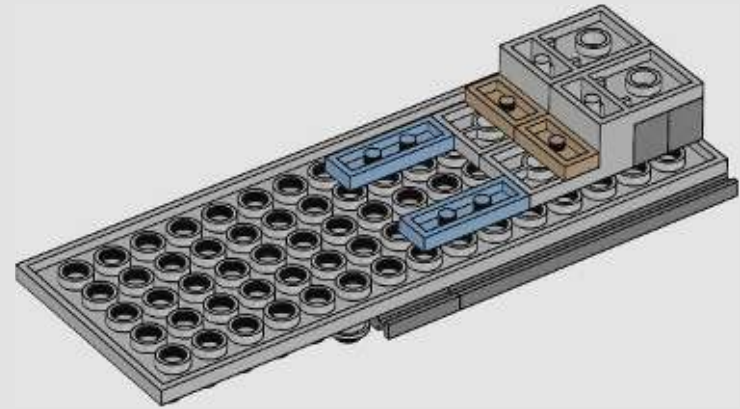
31



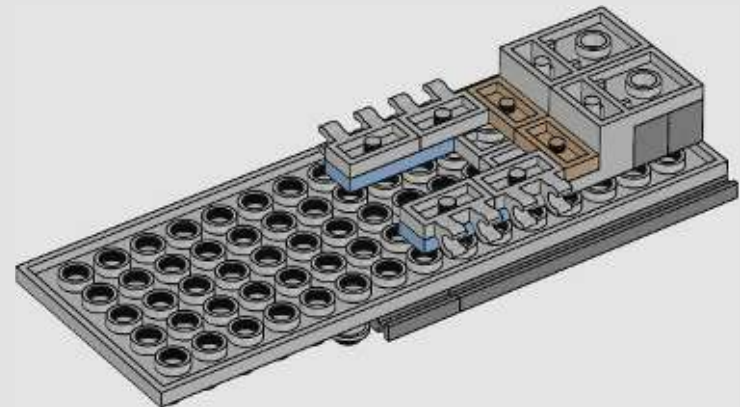
32



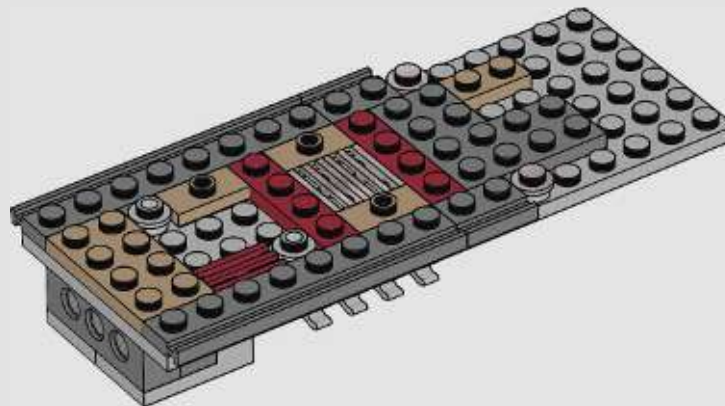
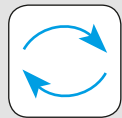
33



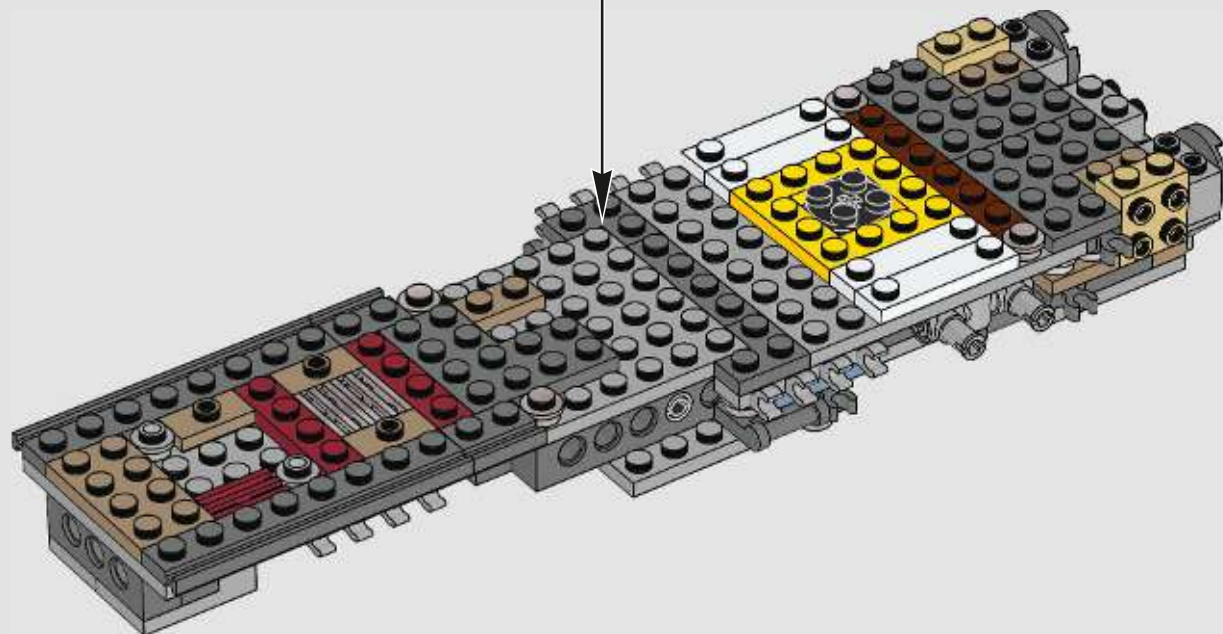
34

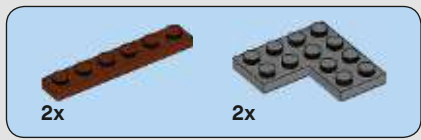


35

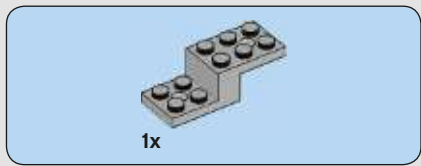


36

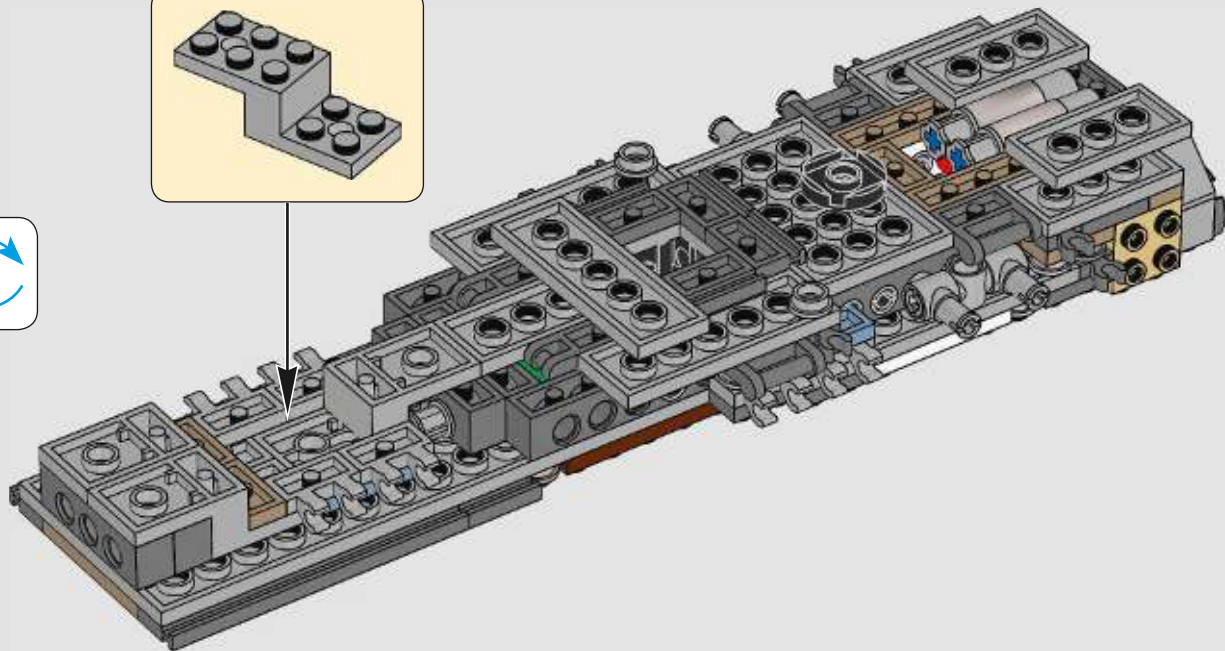
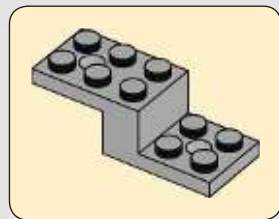




37

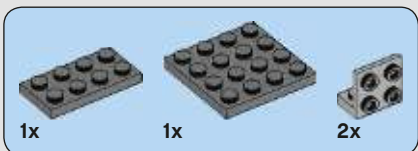
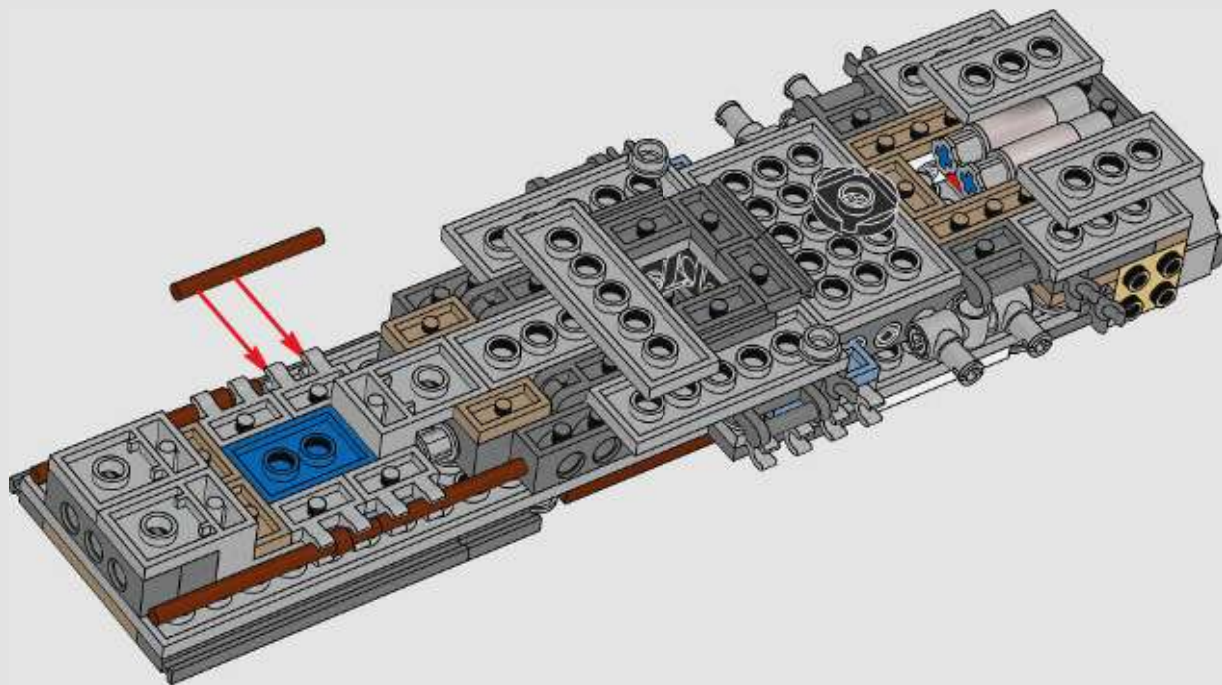


38

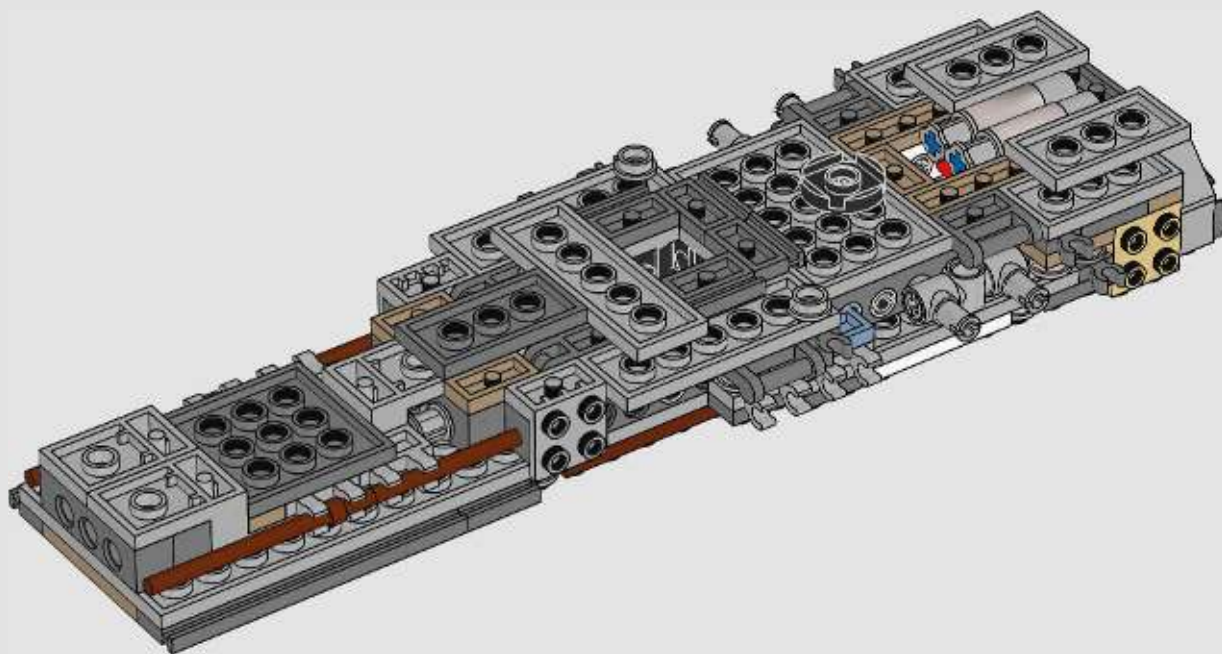




39

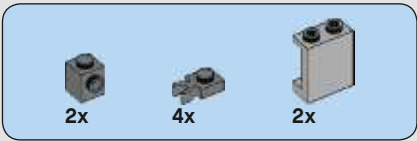
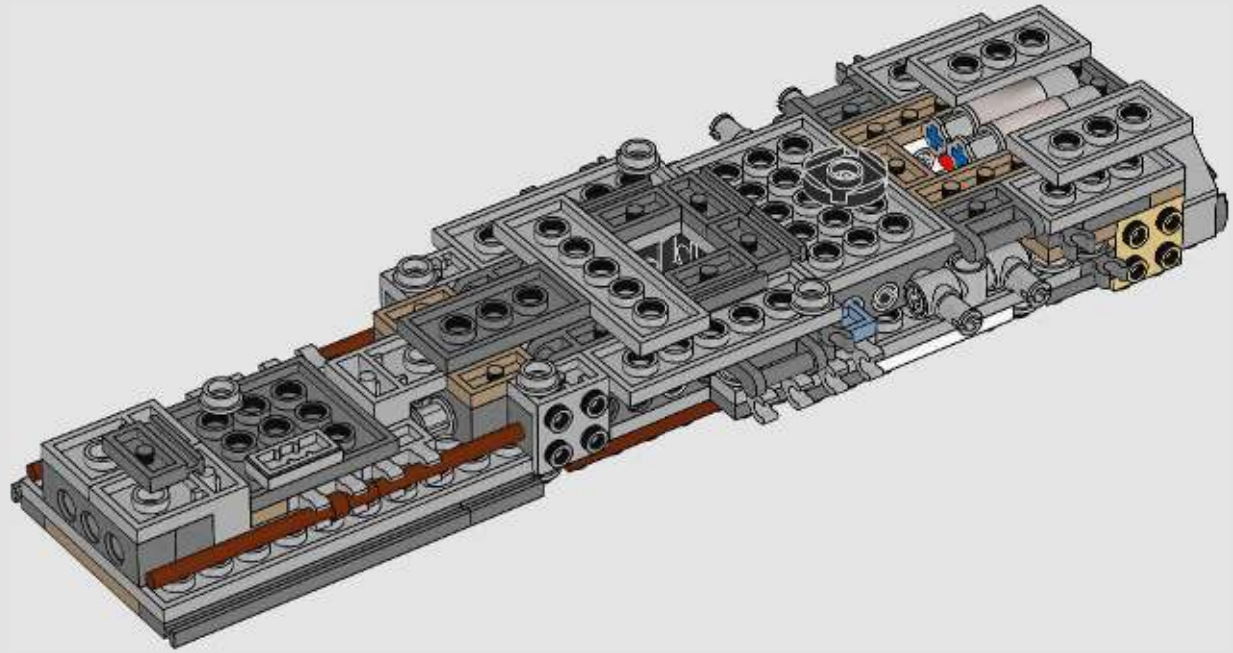


40

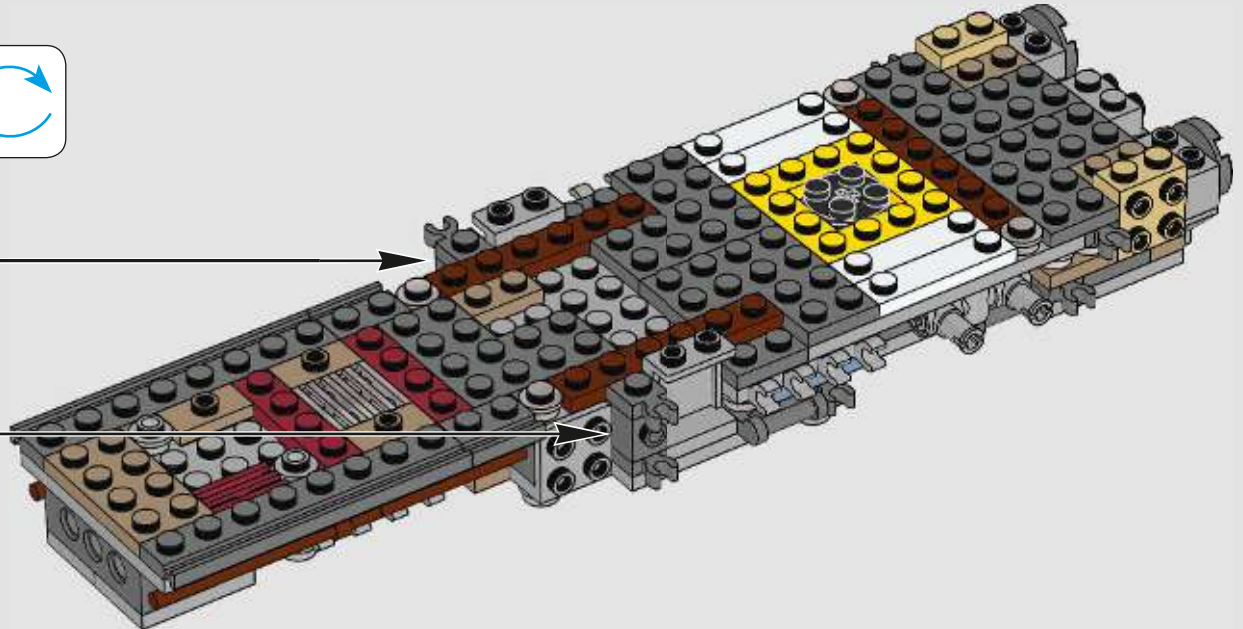
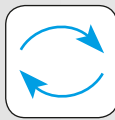
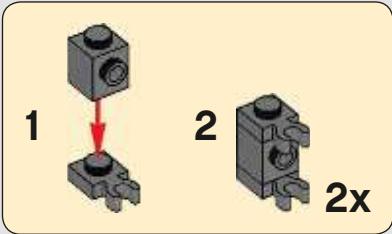




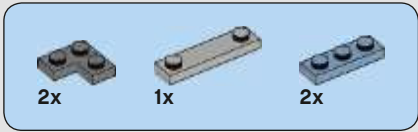
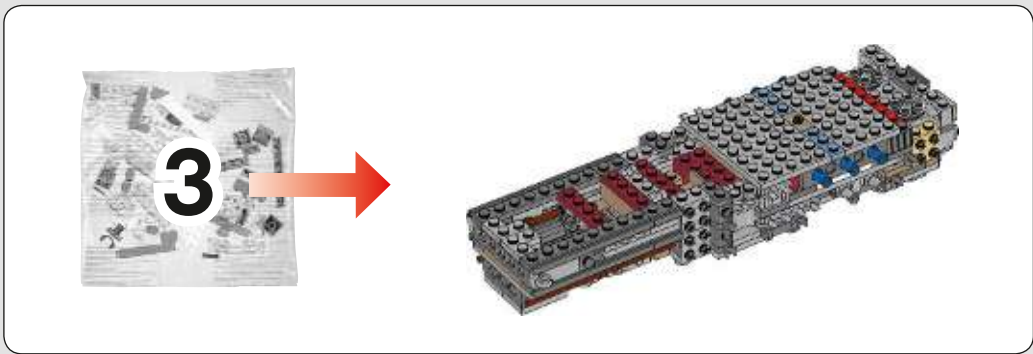
41



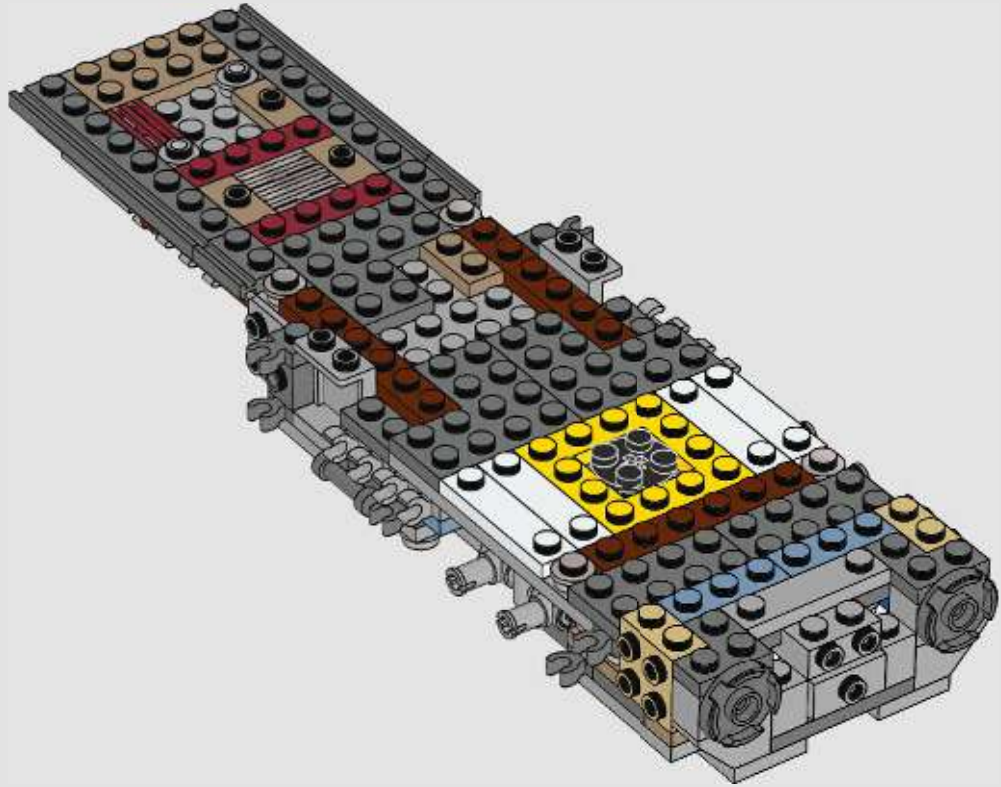
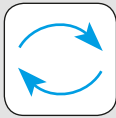
42

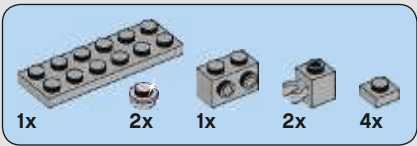




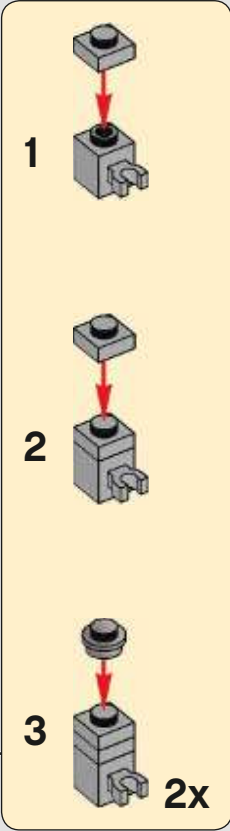
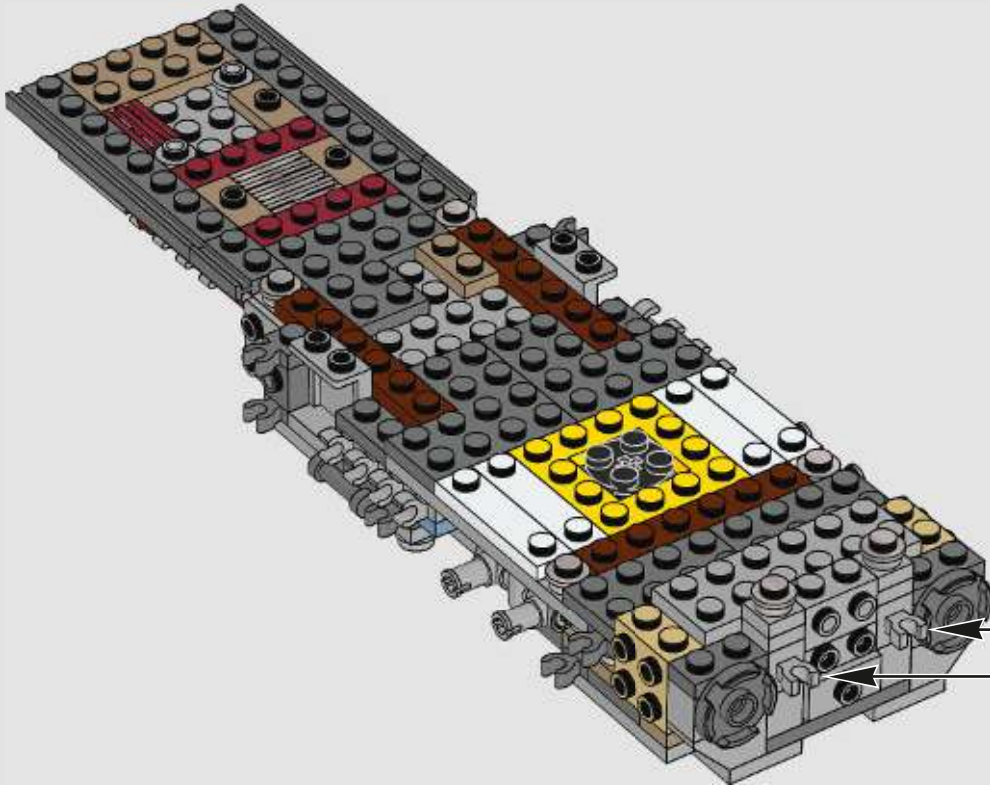


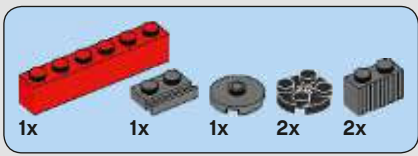
43



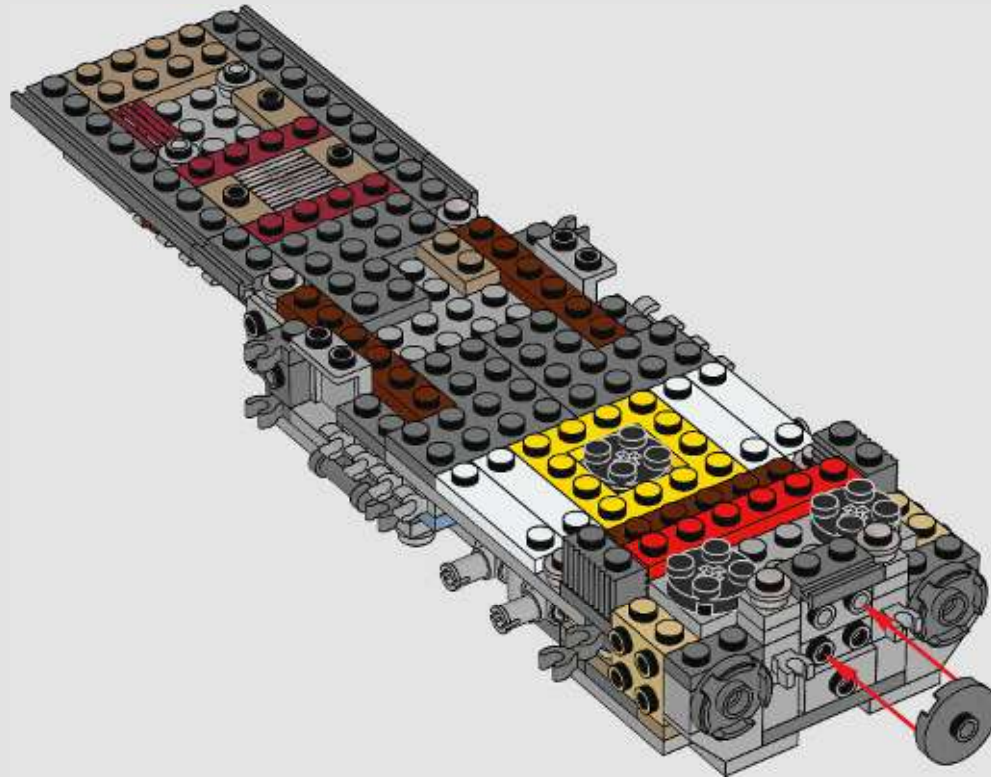


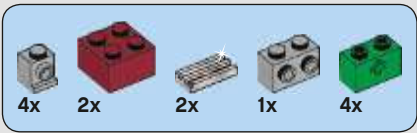
44



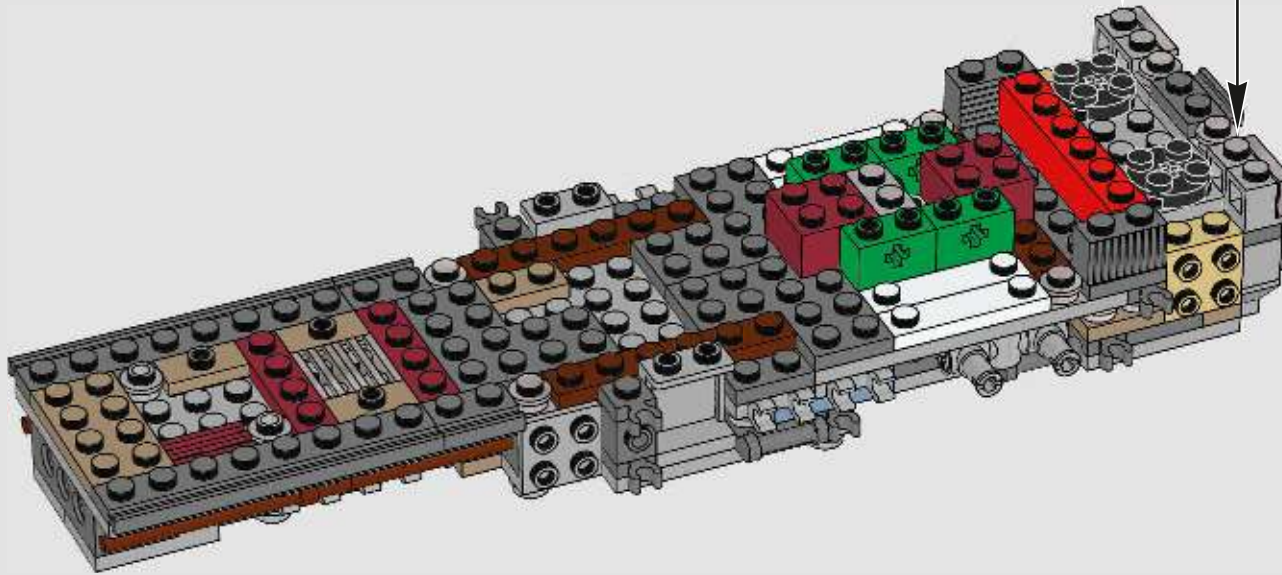
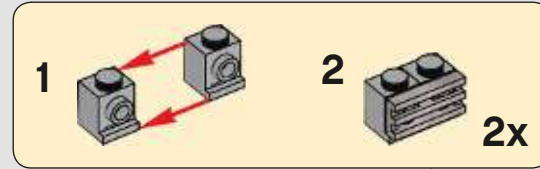


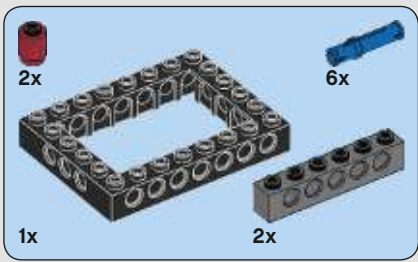
45



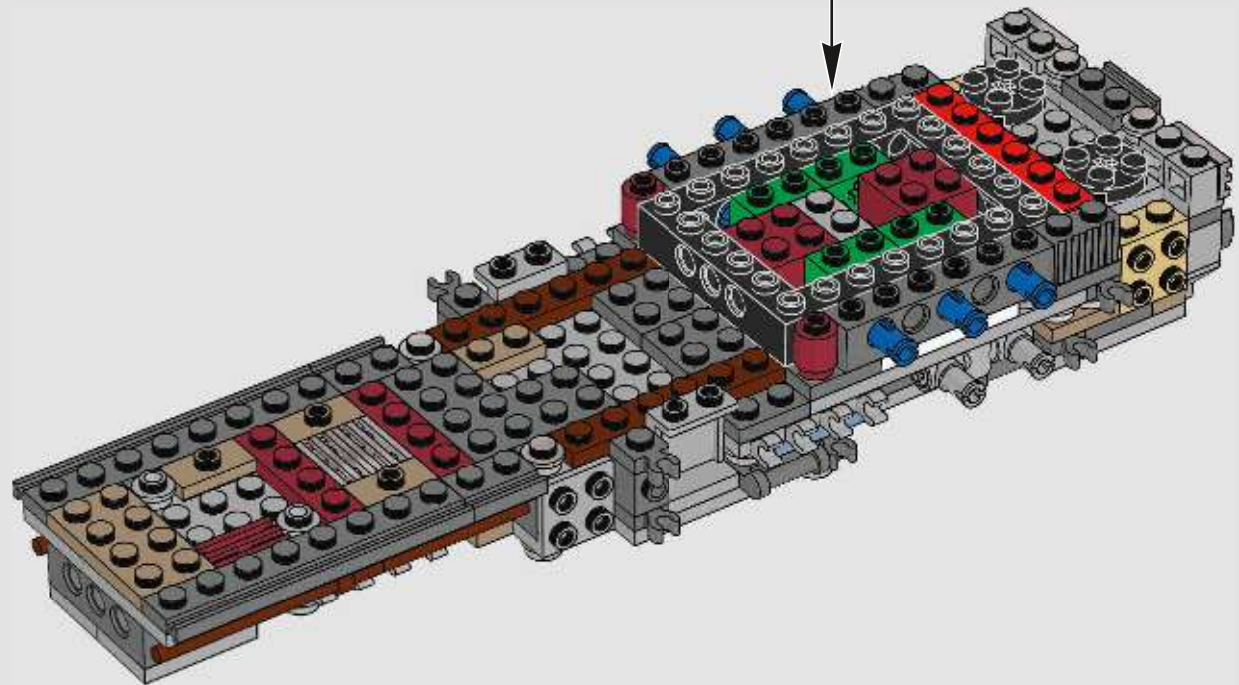
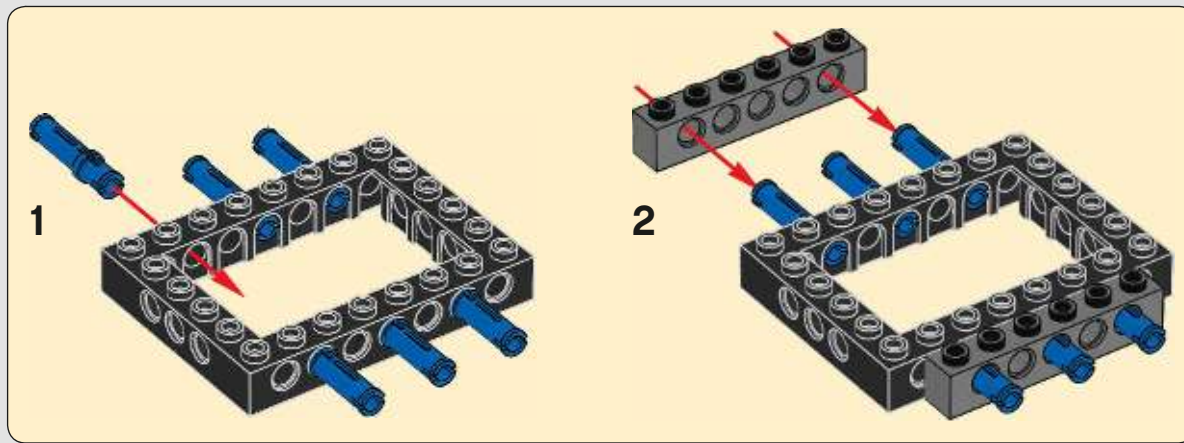


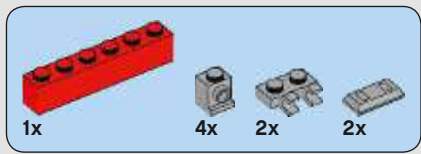
46



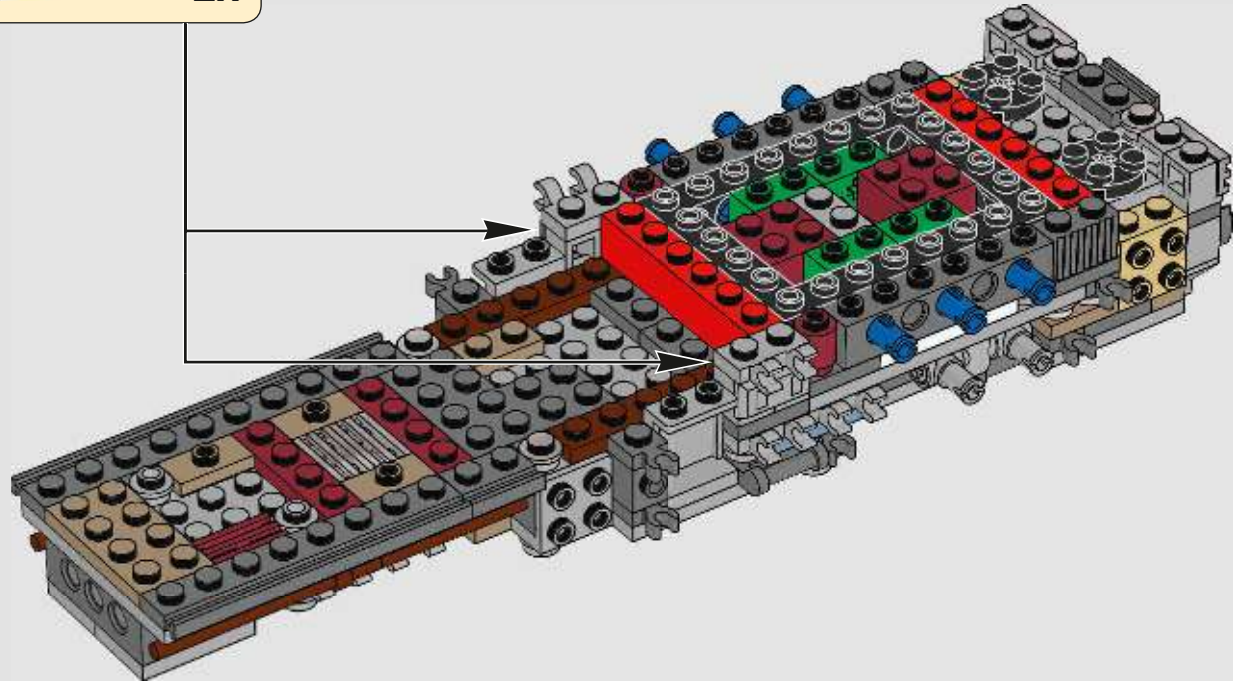
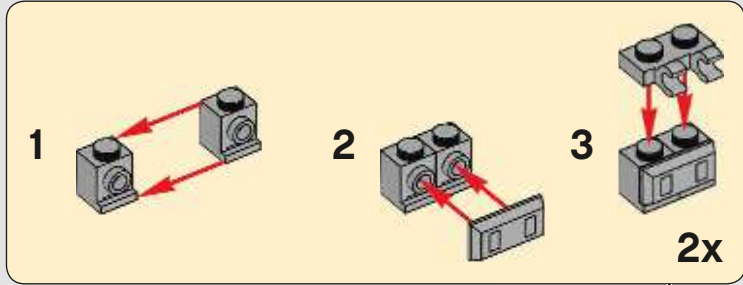


47



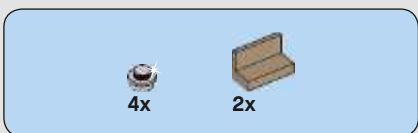
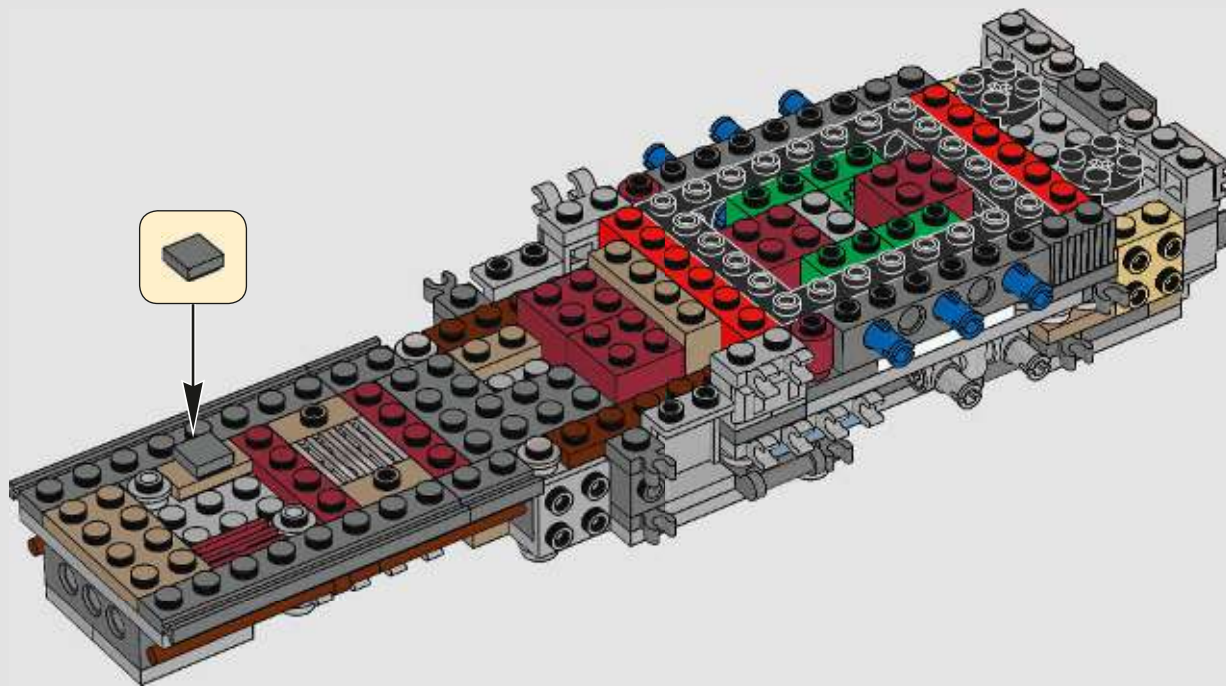


48

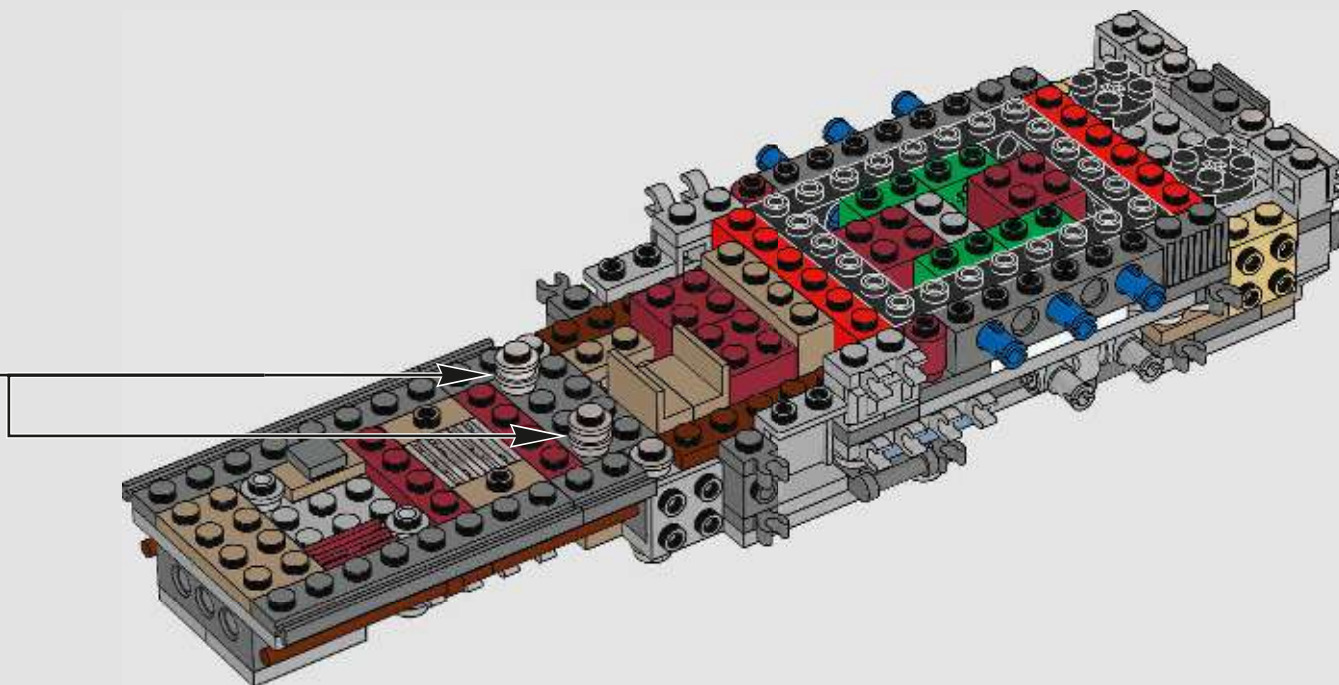
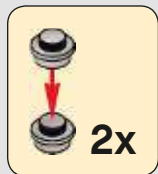


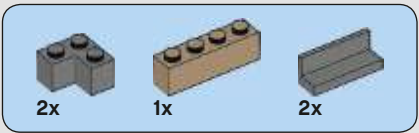


49

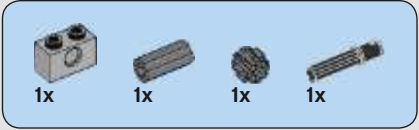
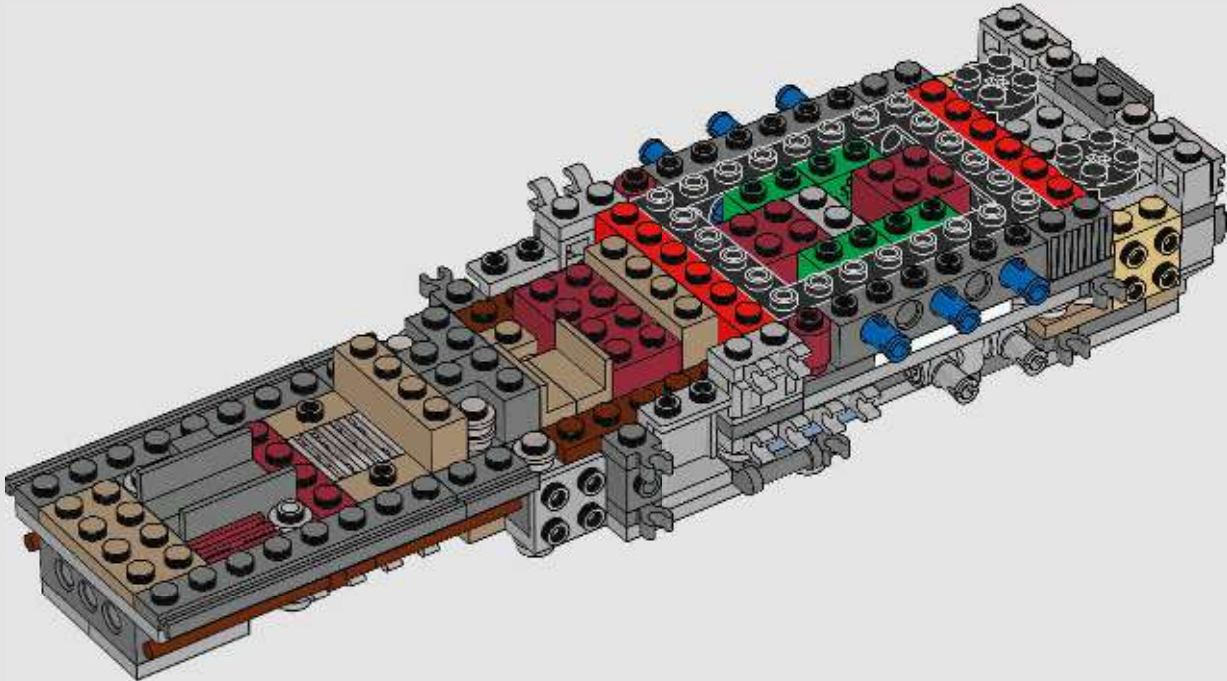


50

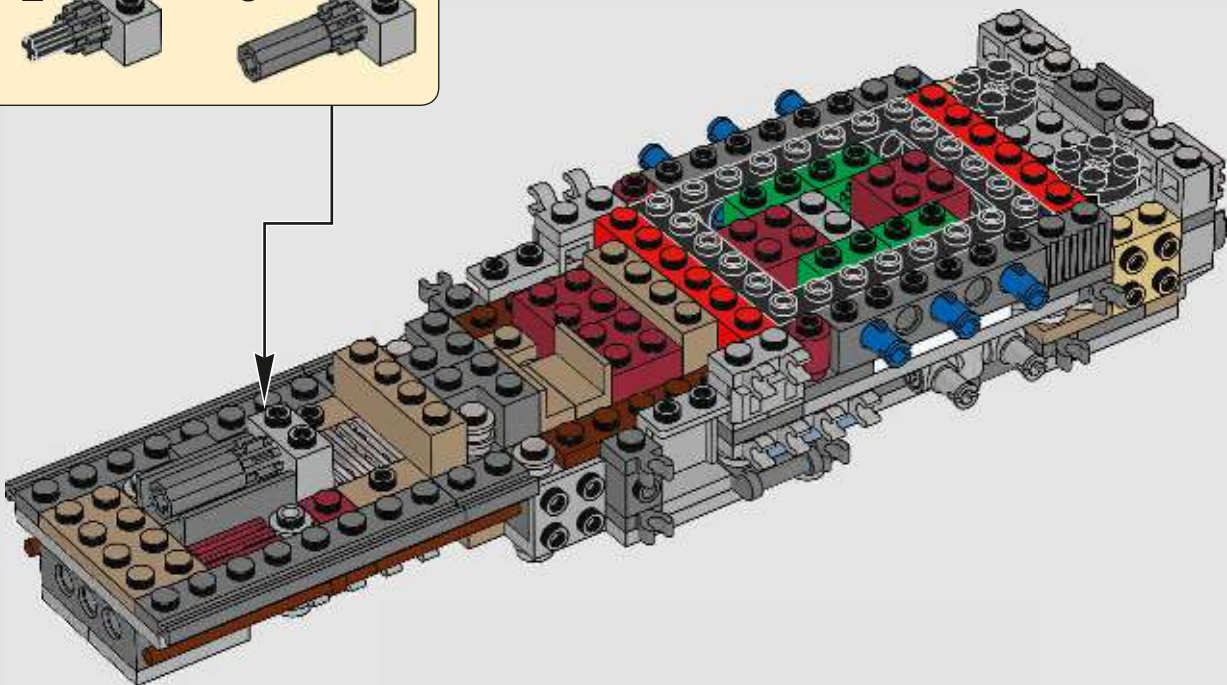
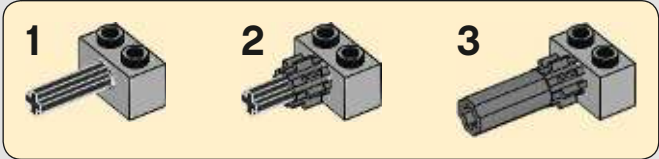




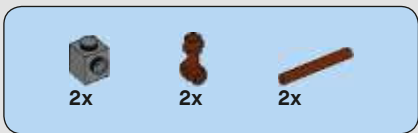
51



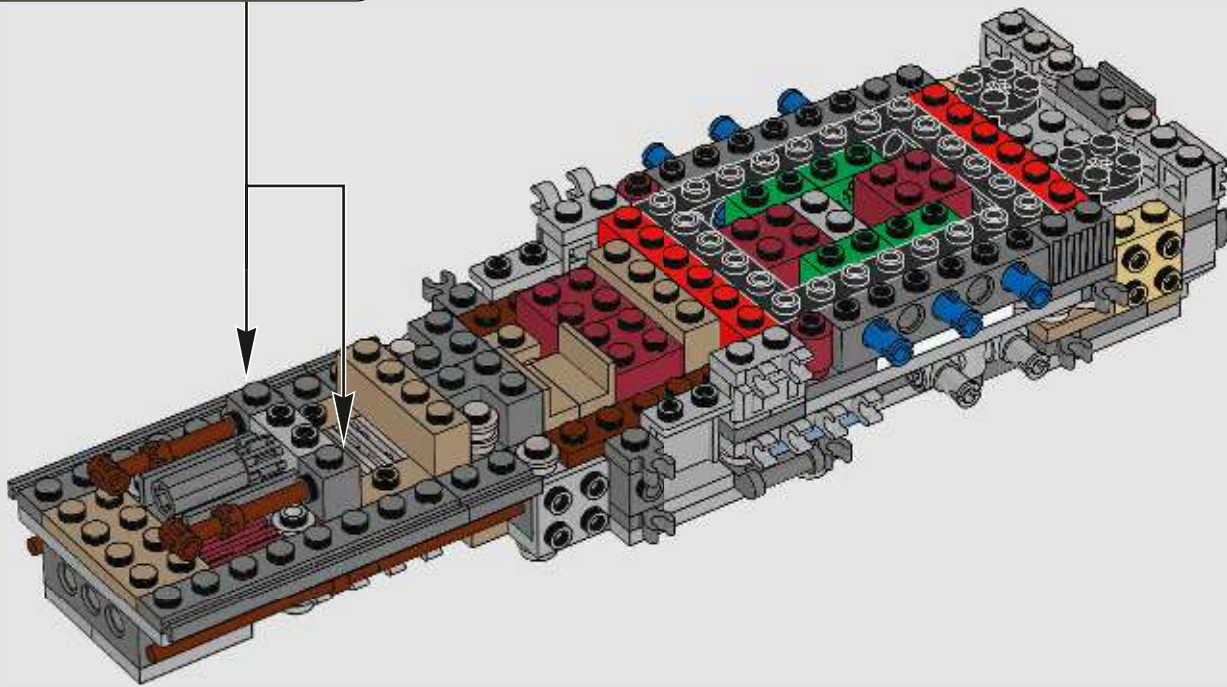
52

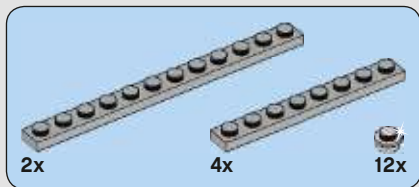




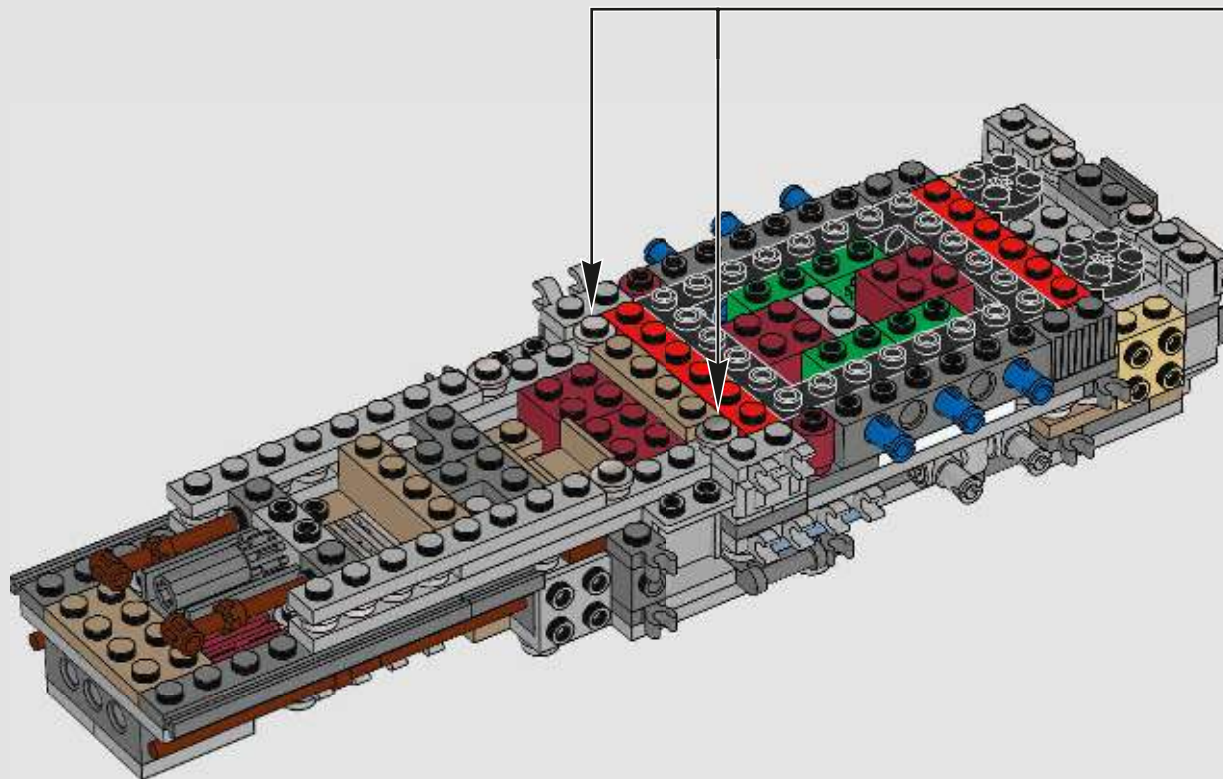
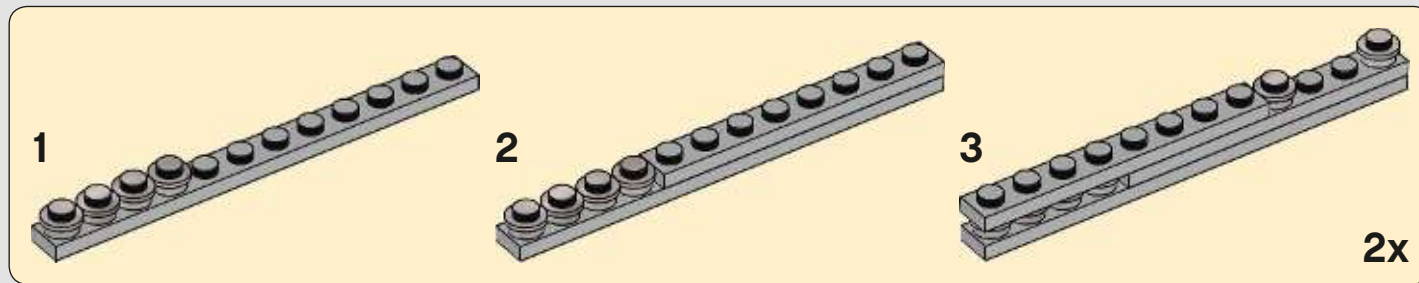


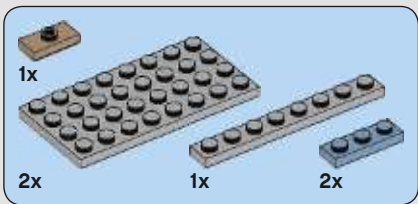
# 53



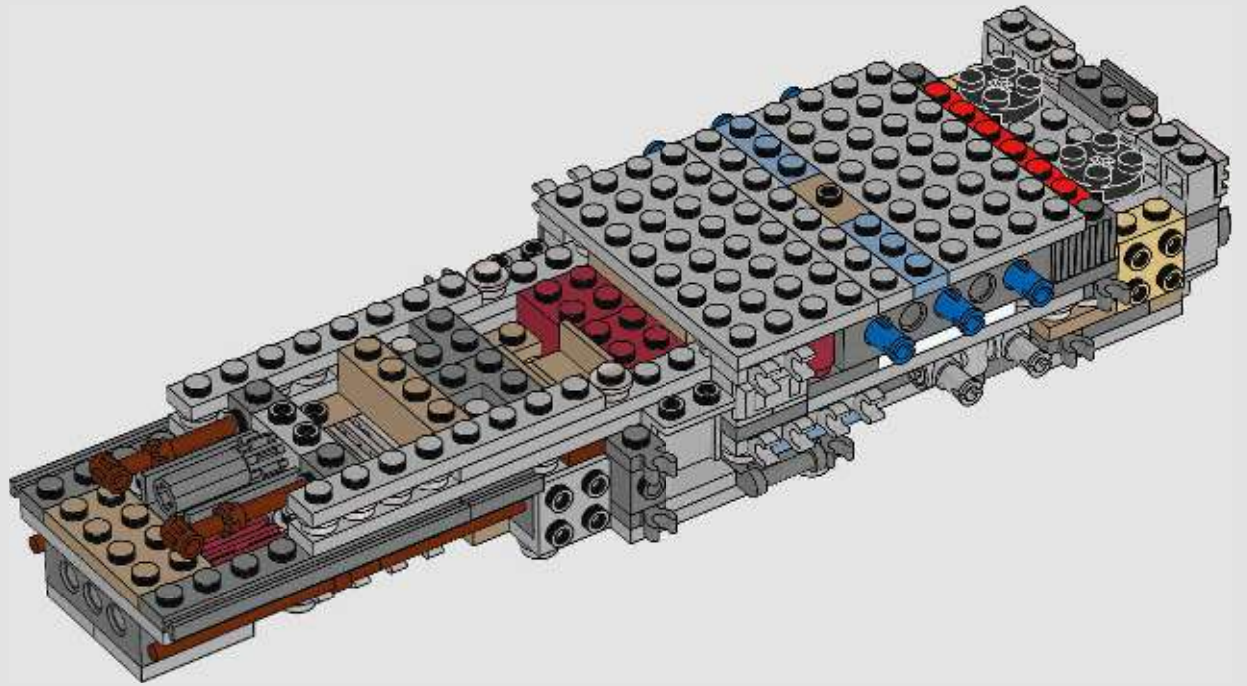


54

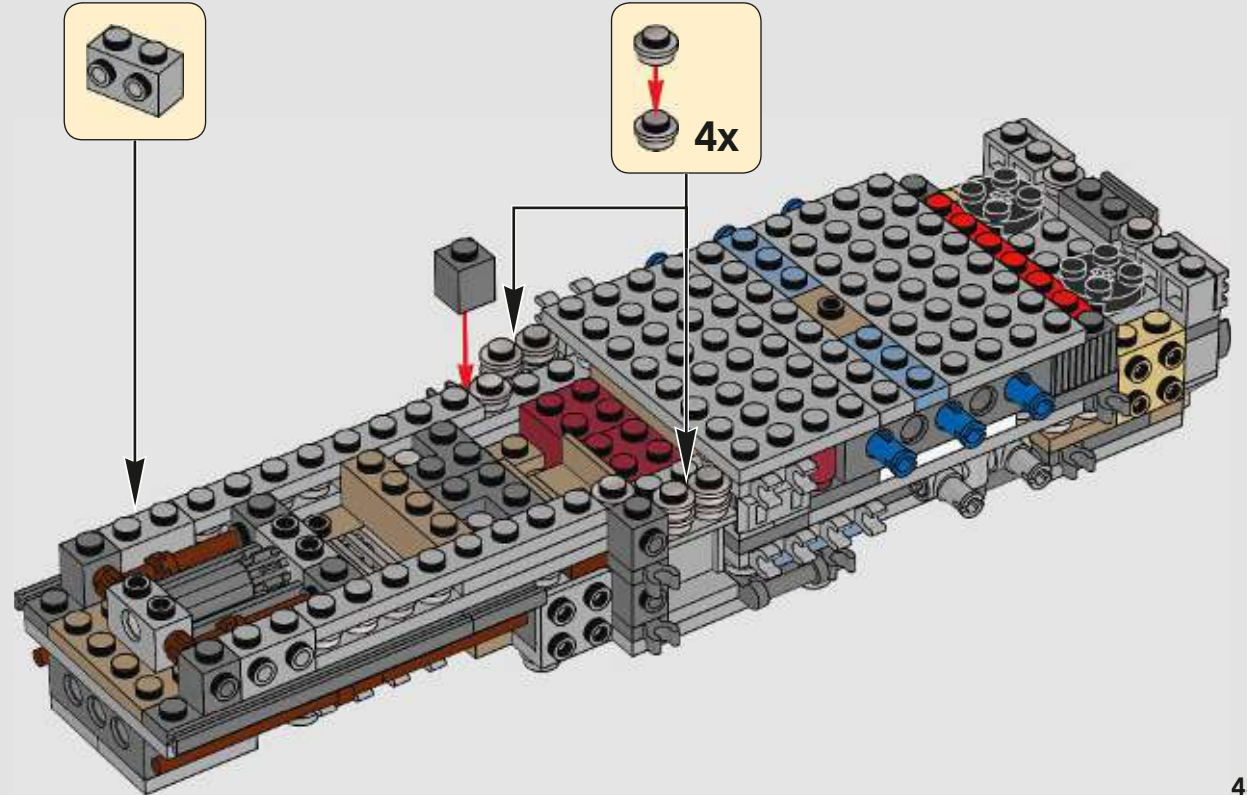


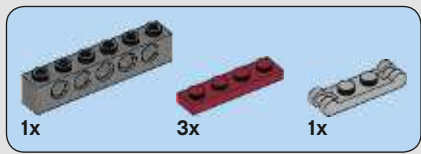


55

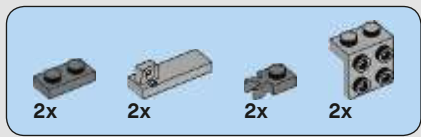
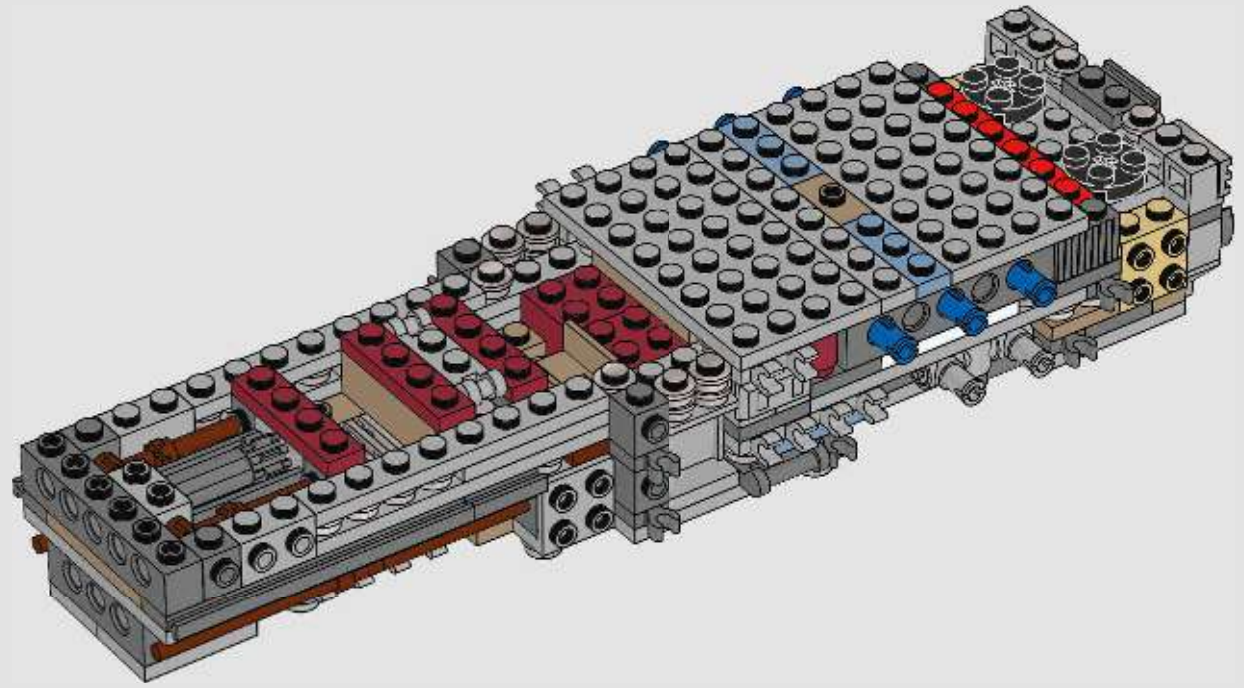


56

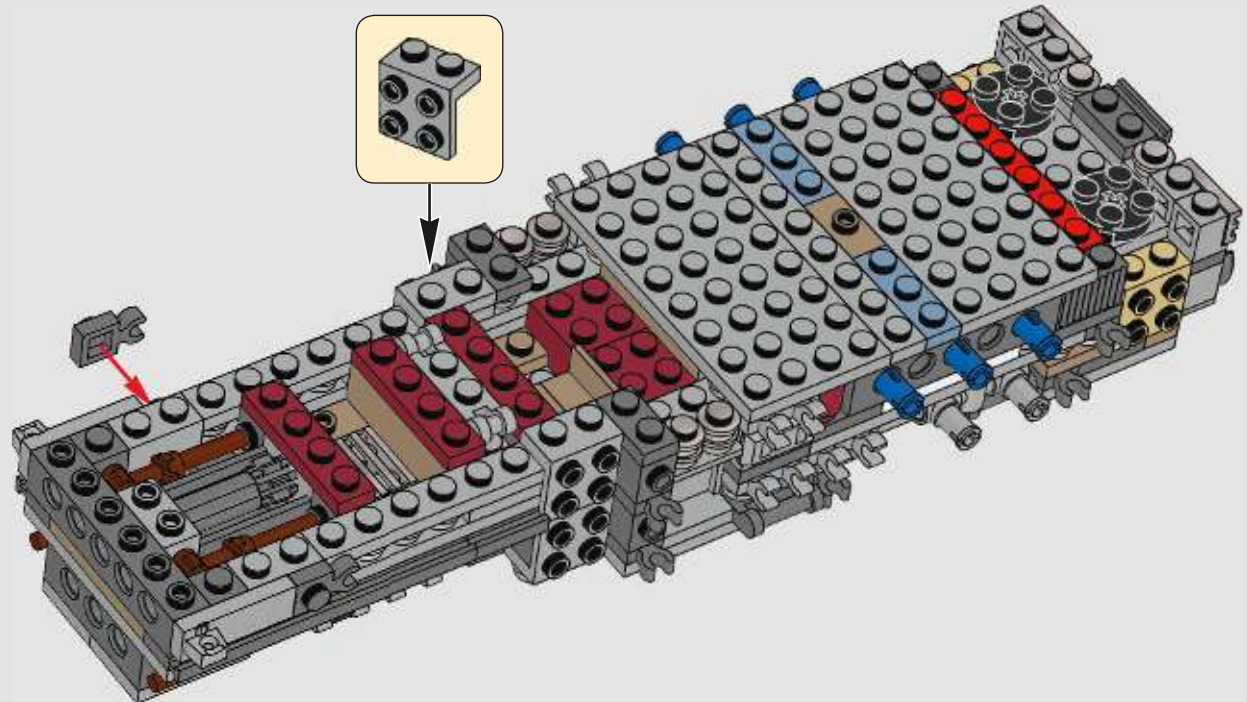


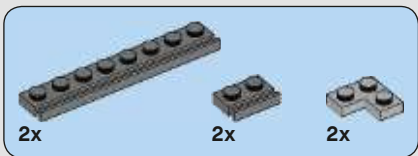


57

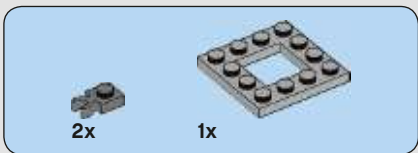
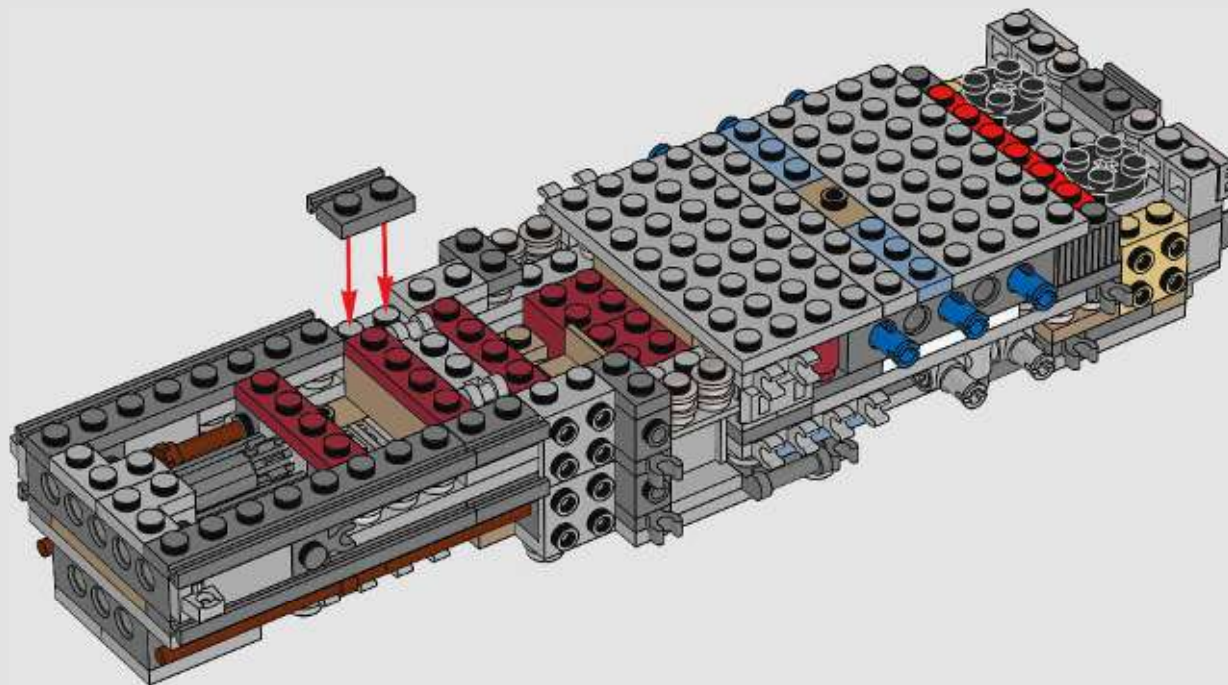


58

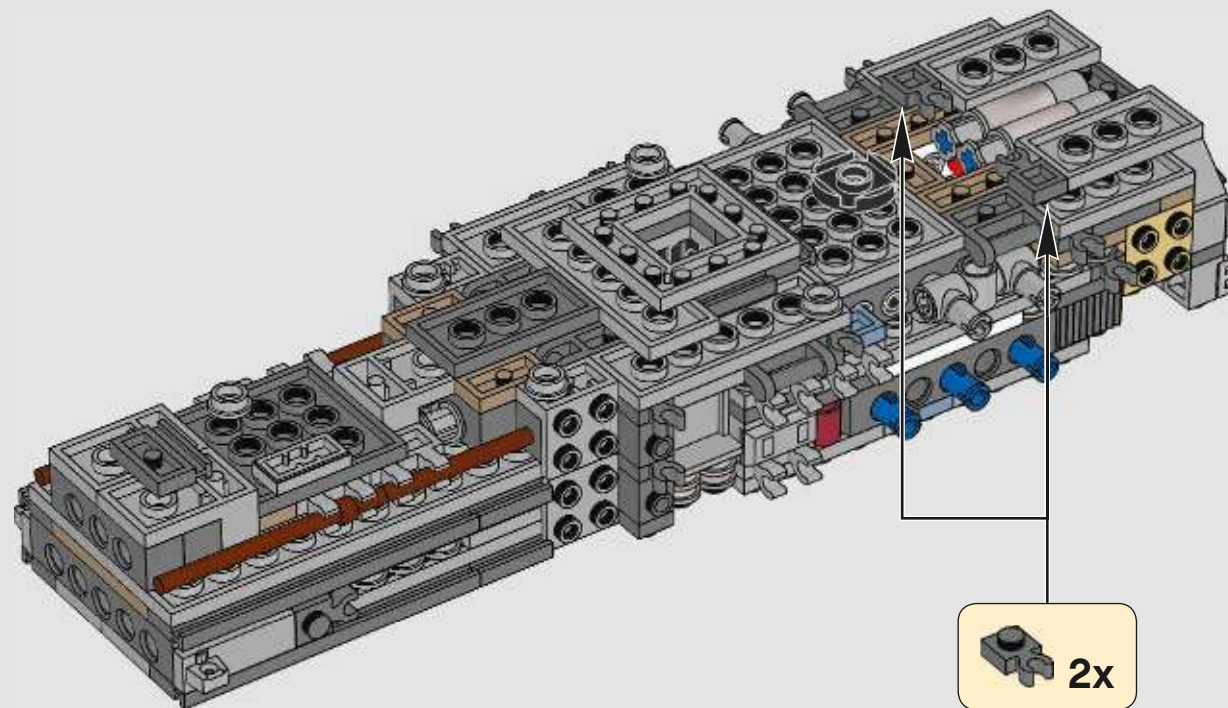
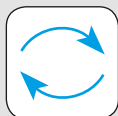


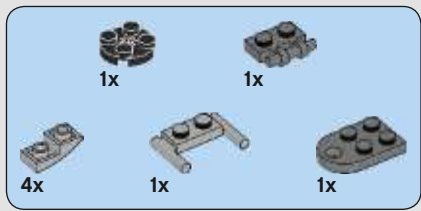


59

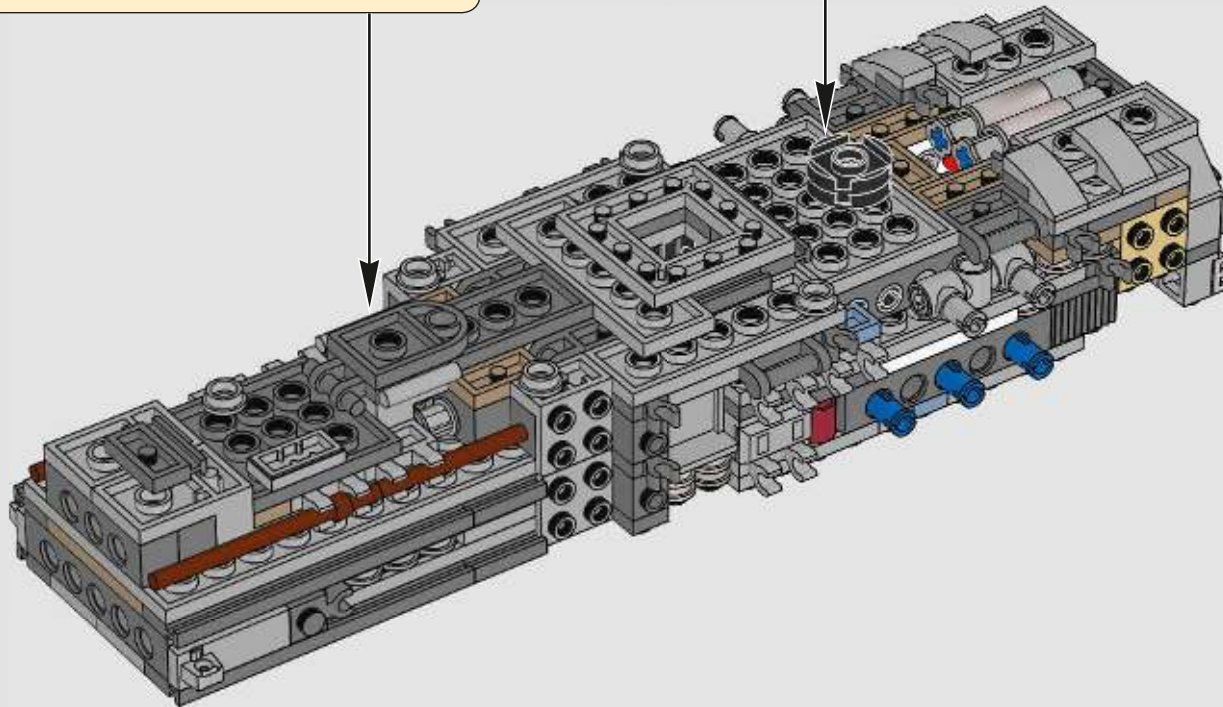
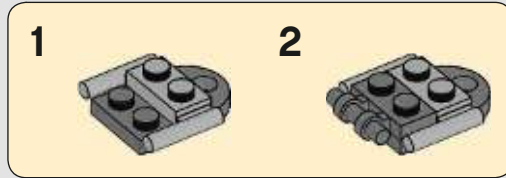


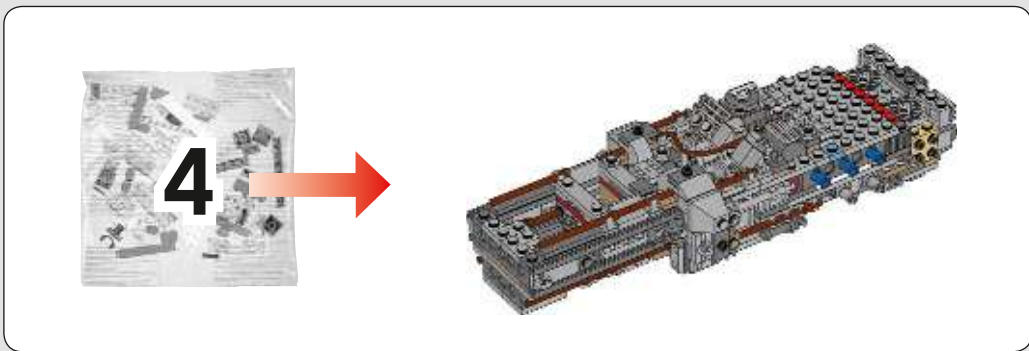
60



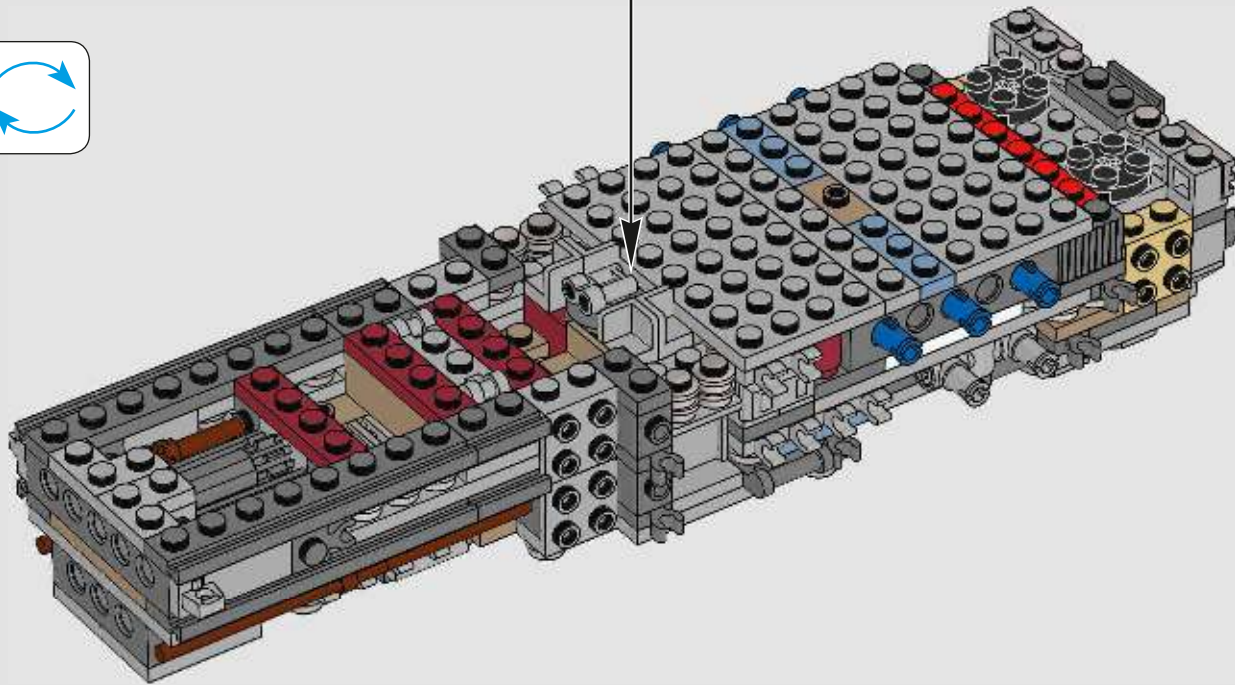
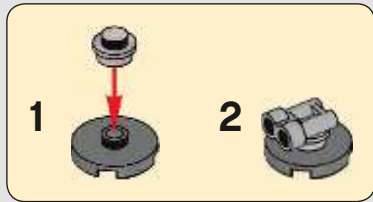


61



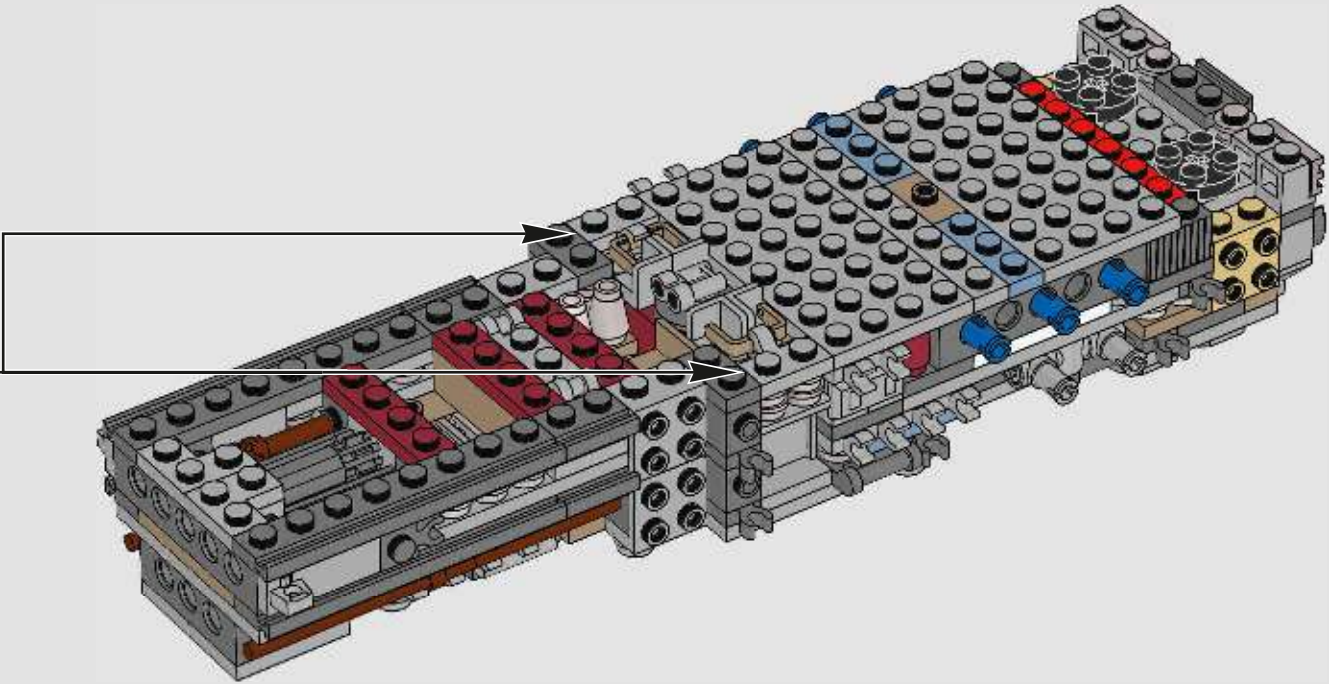
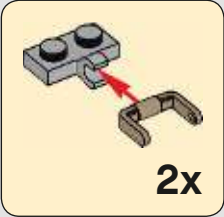


62

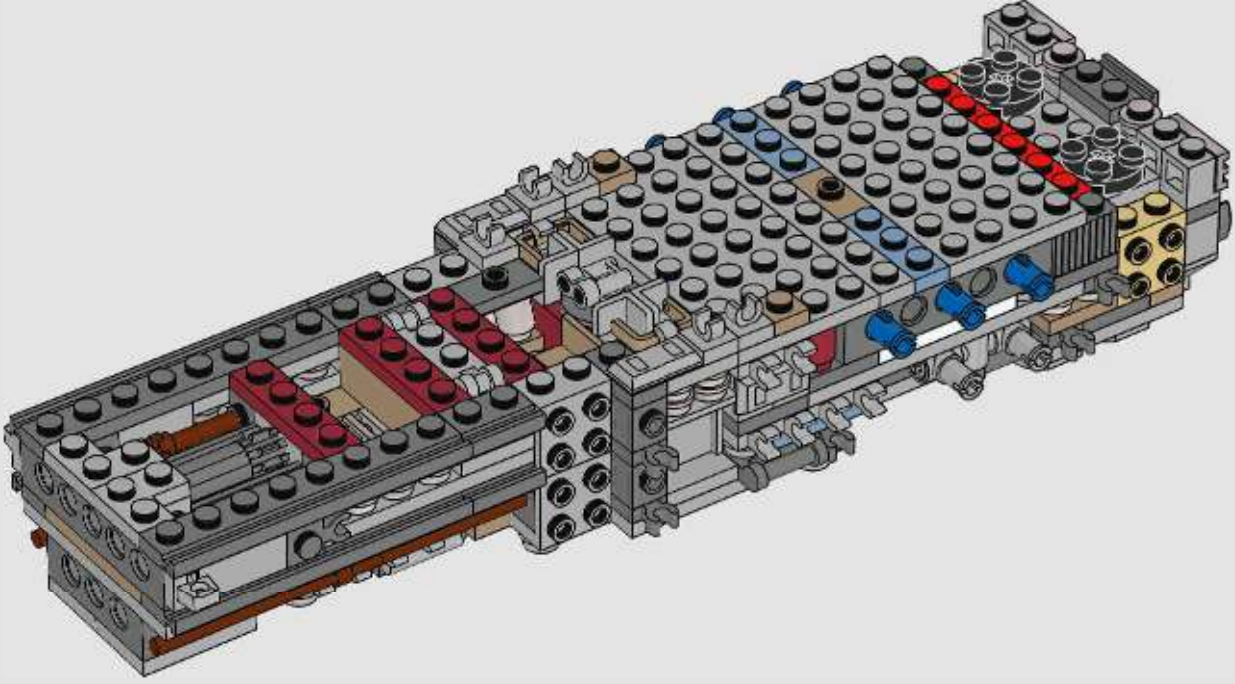




63



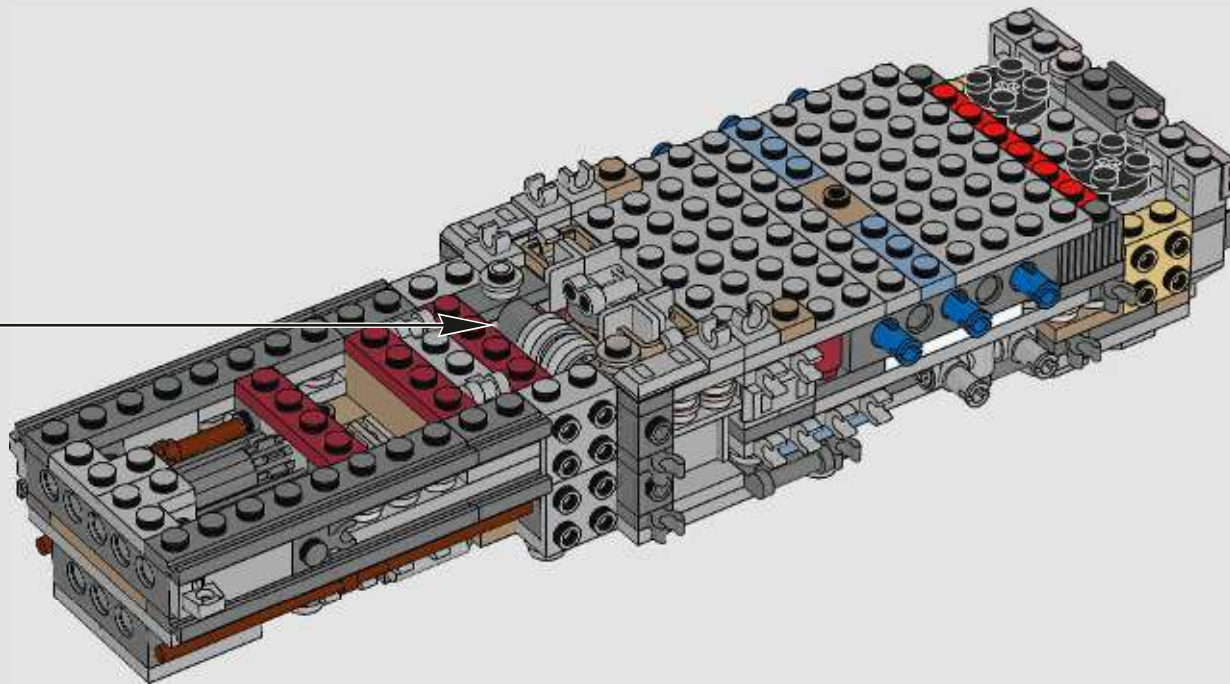
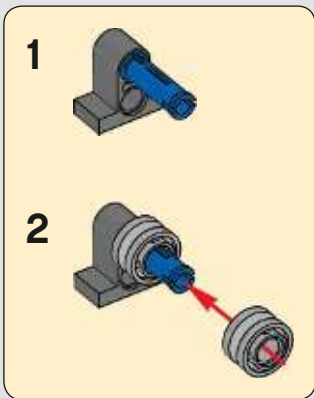
64





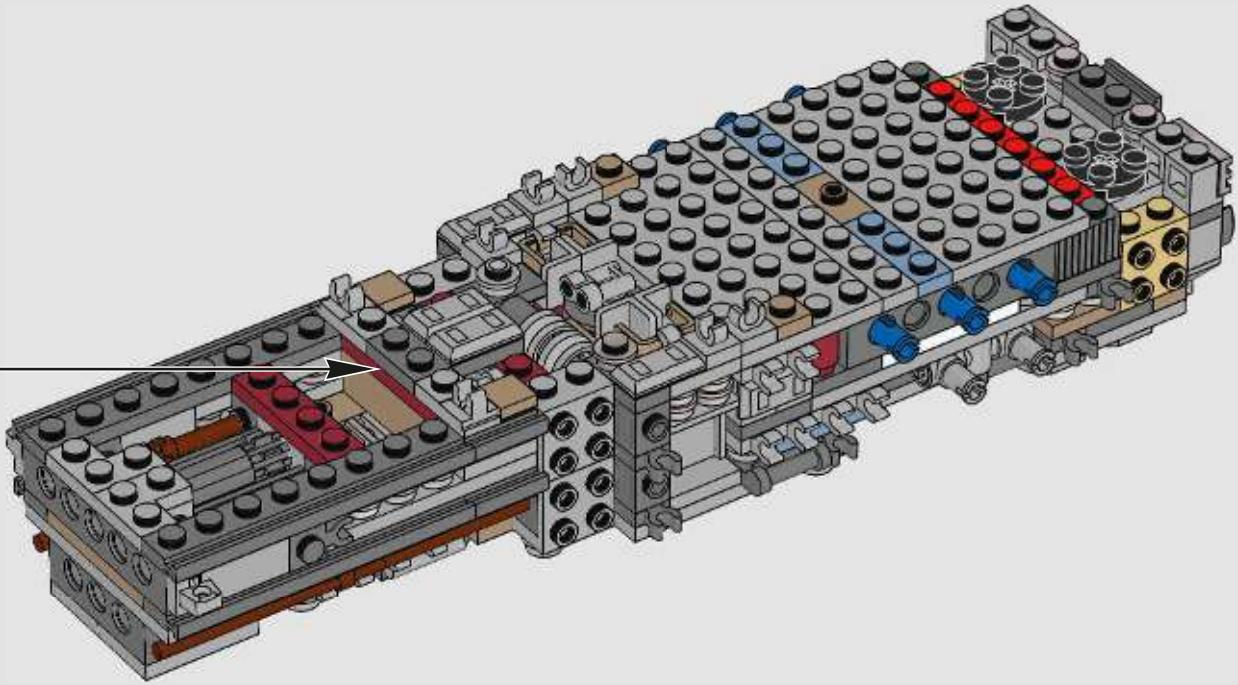
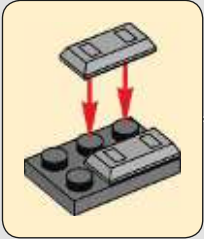


65



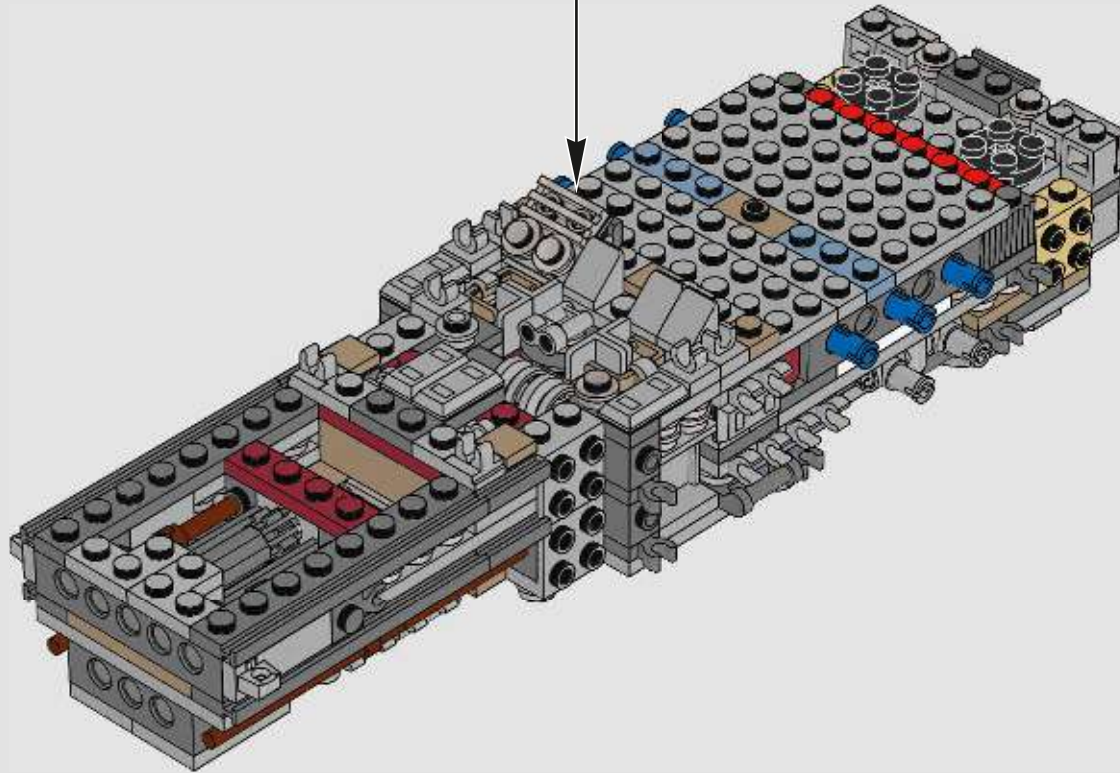
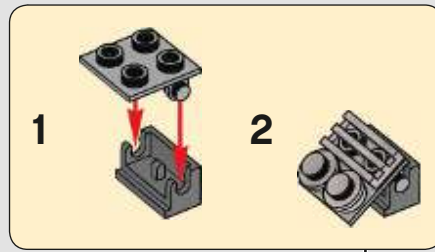


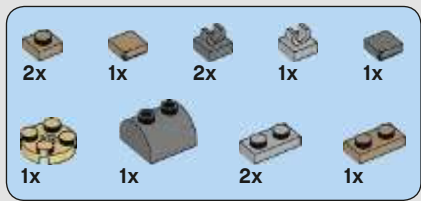
# 66



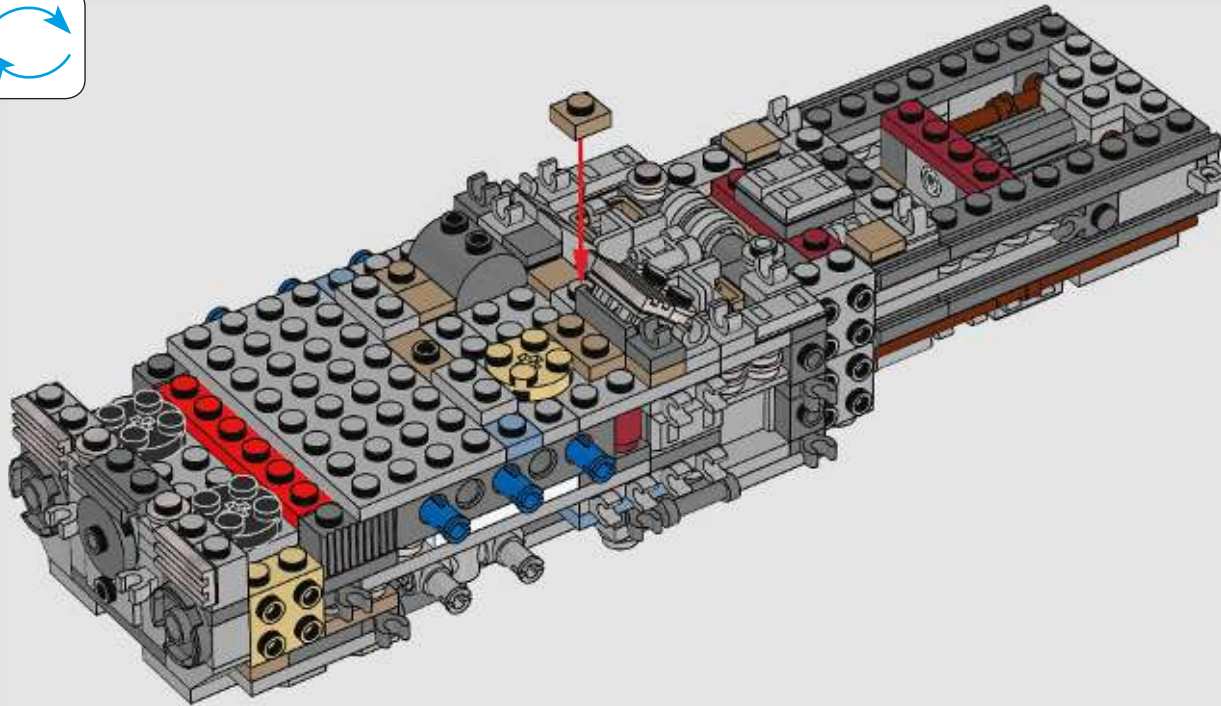


67



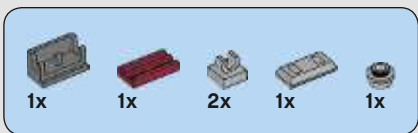
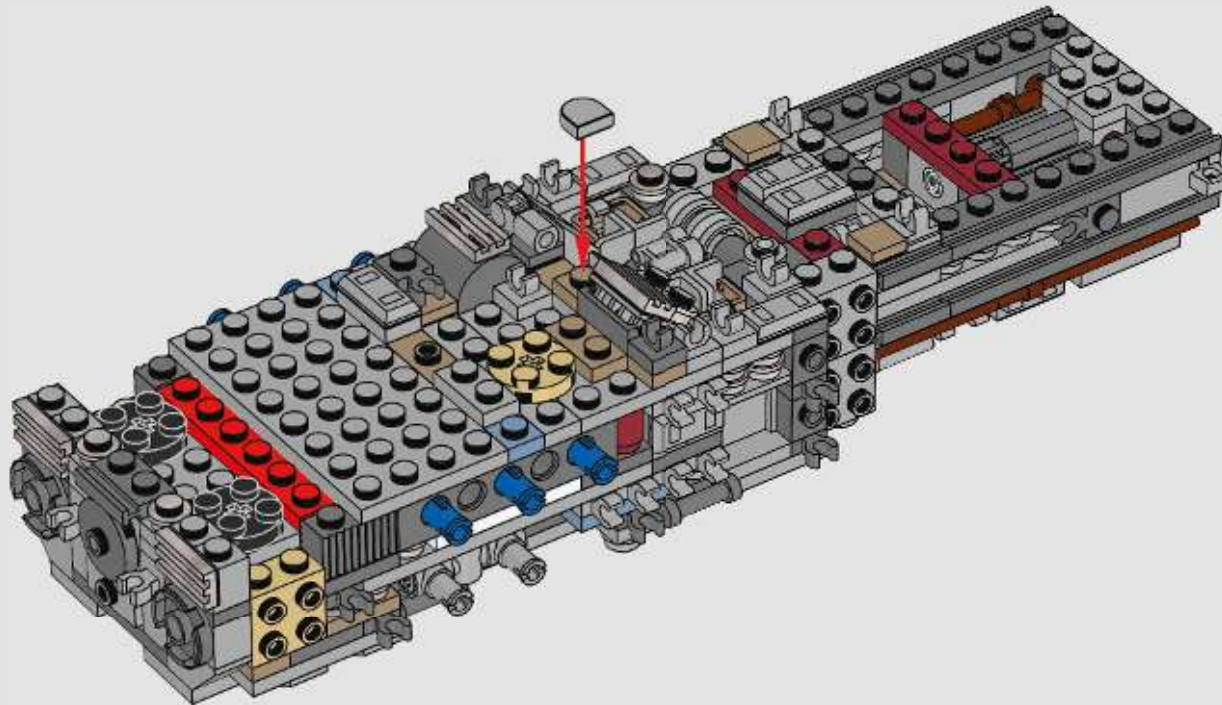


68

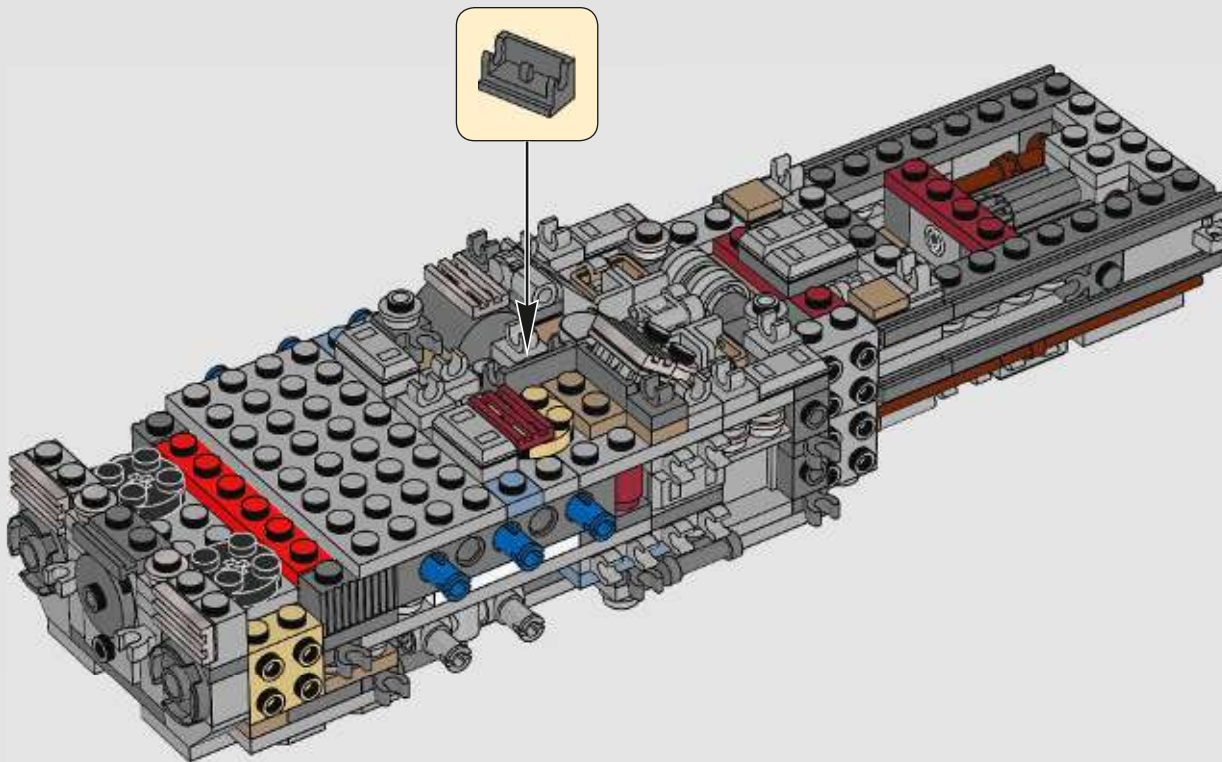


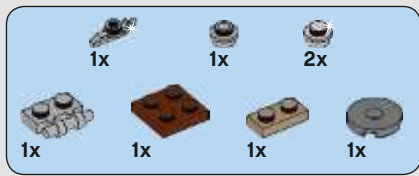


69

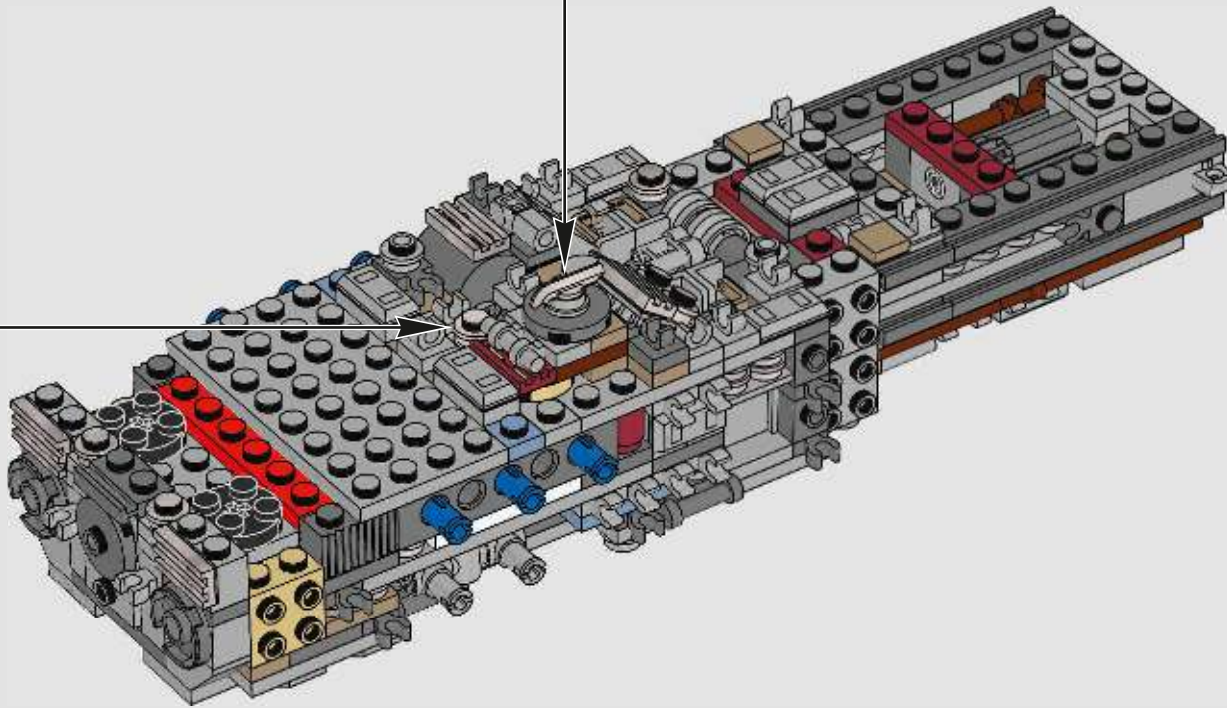


70



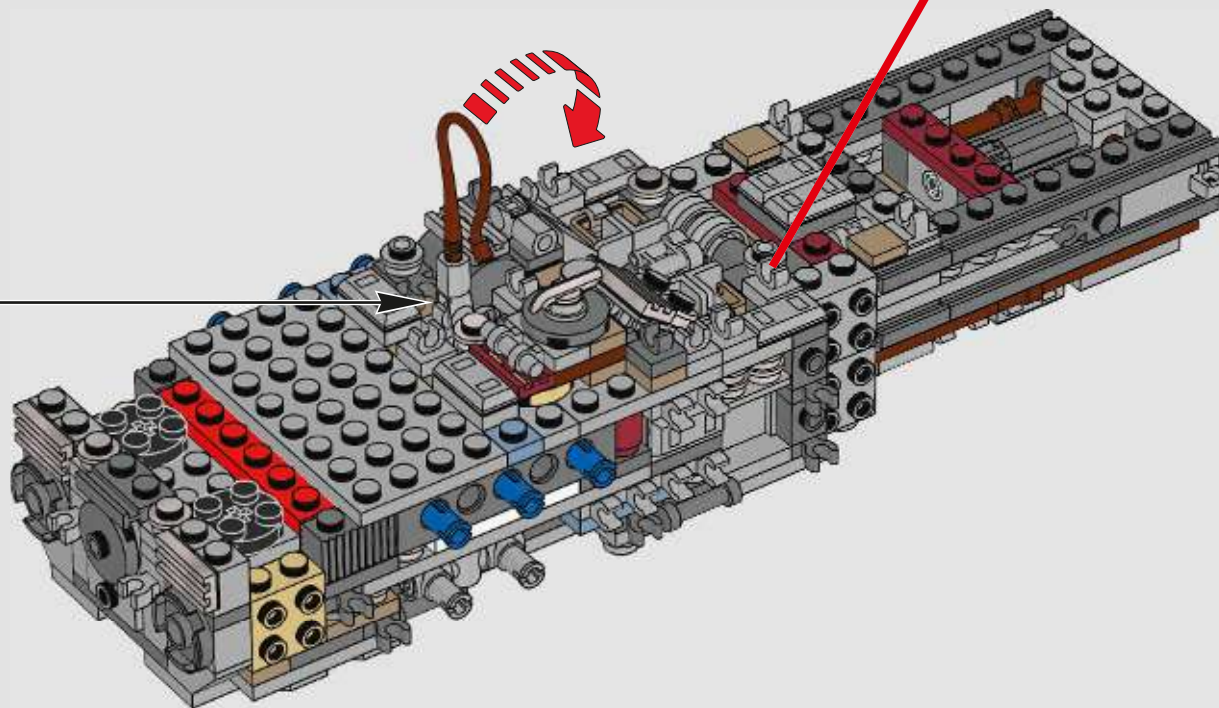
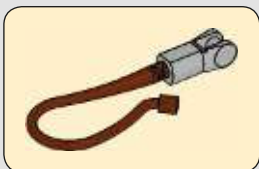
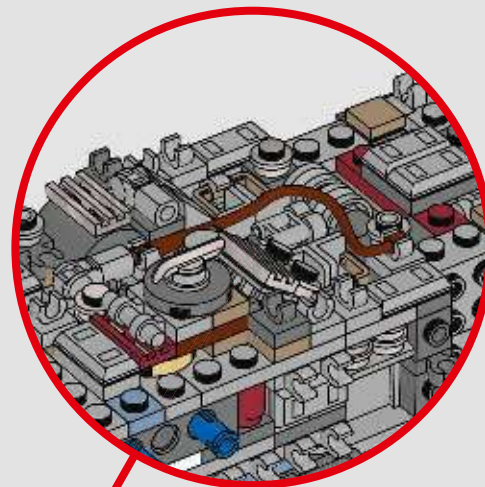


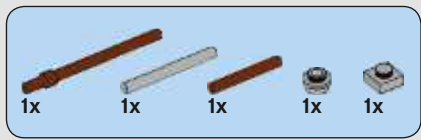
71



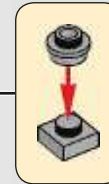
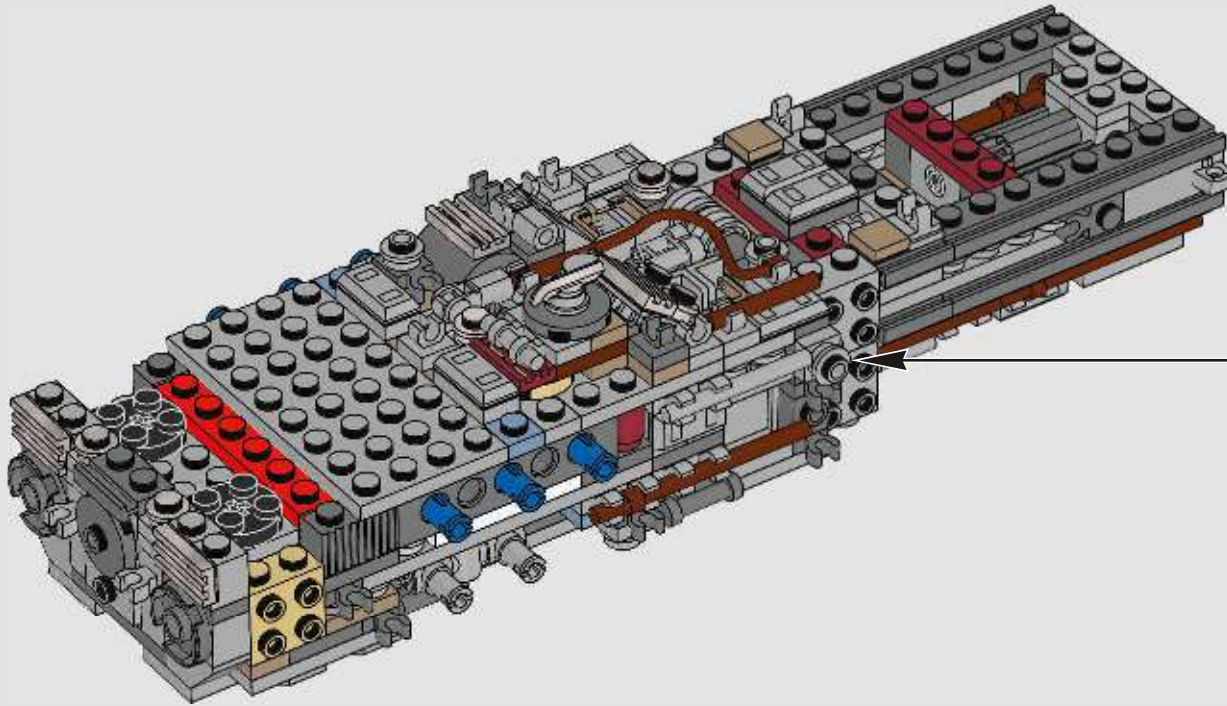


72

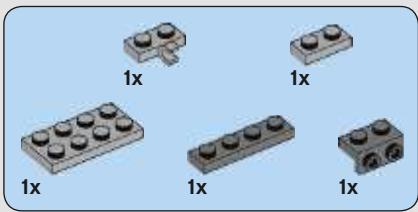




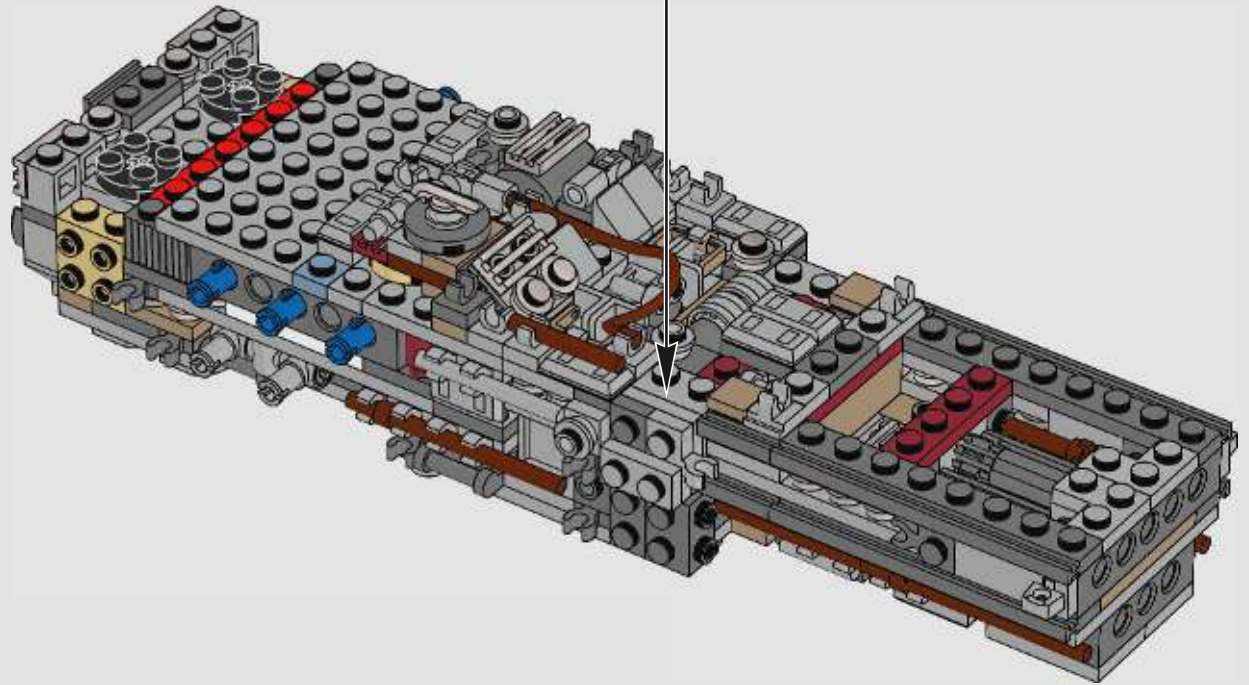
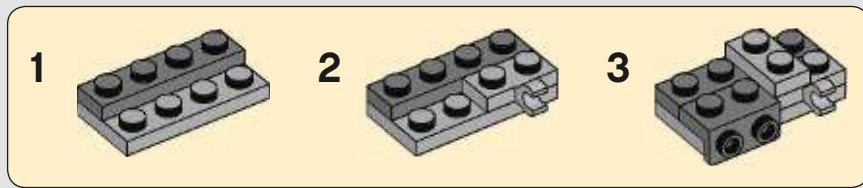
73





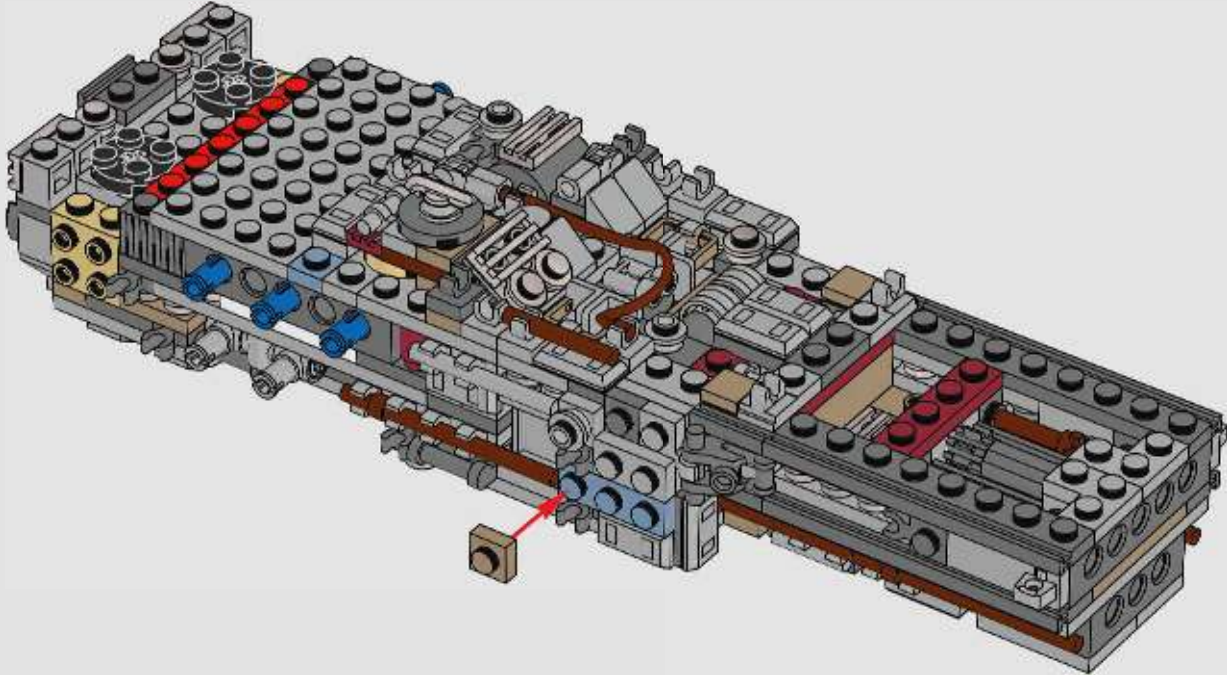


74



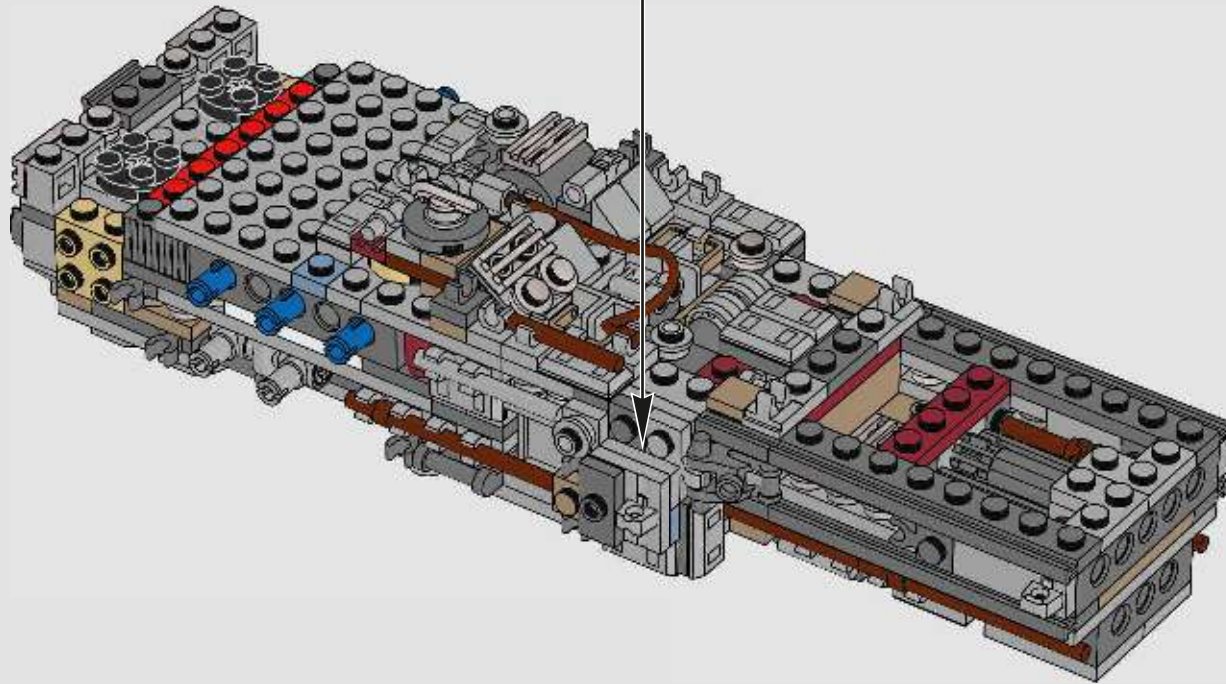
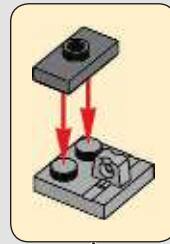


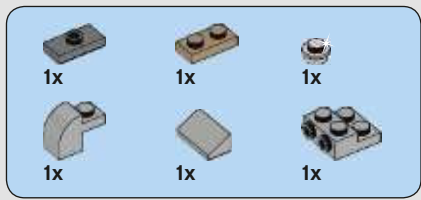
75



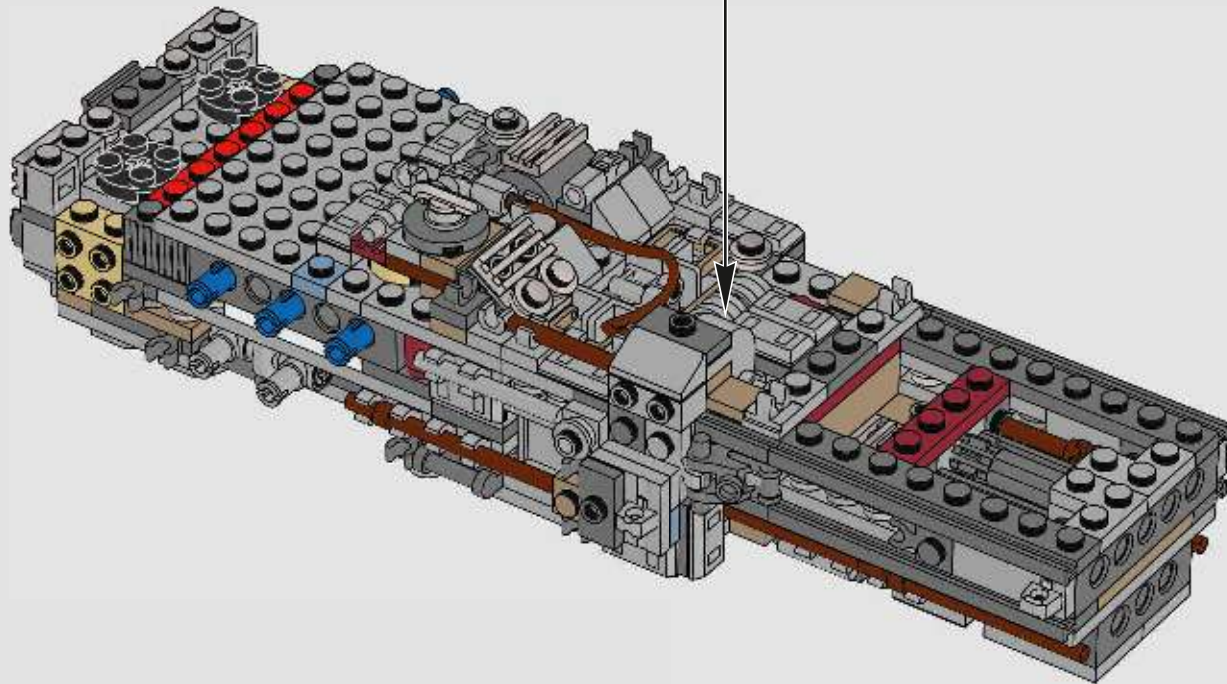
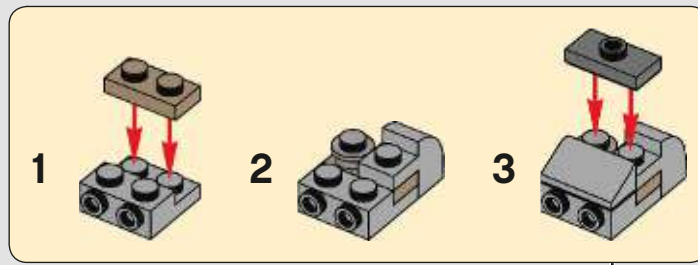


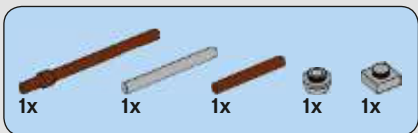
76



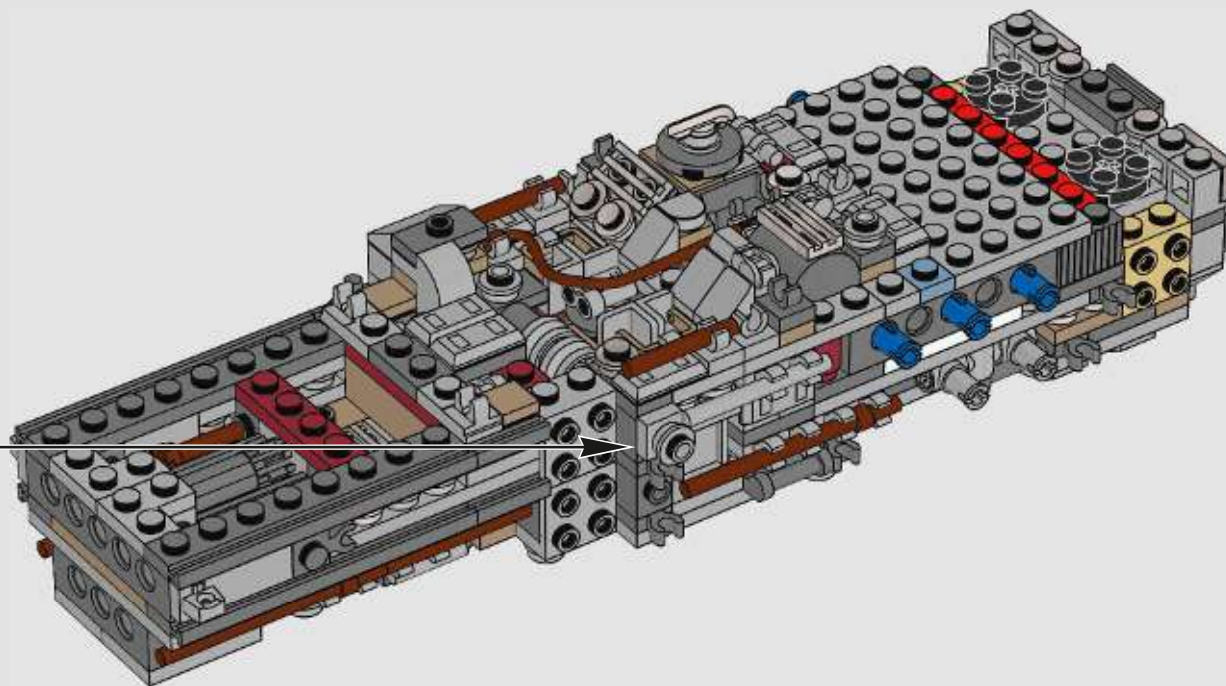
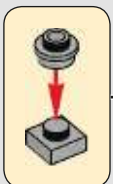
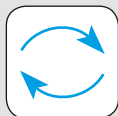


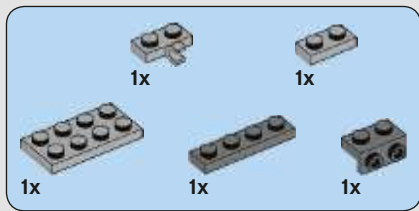
77



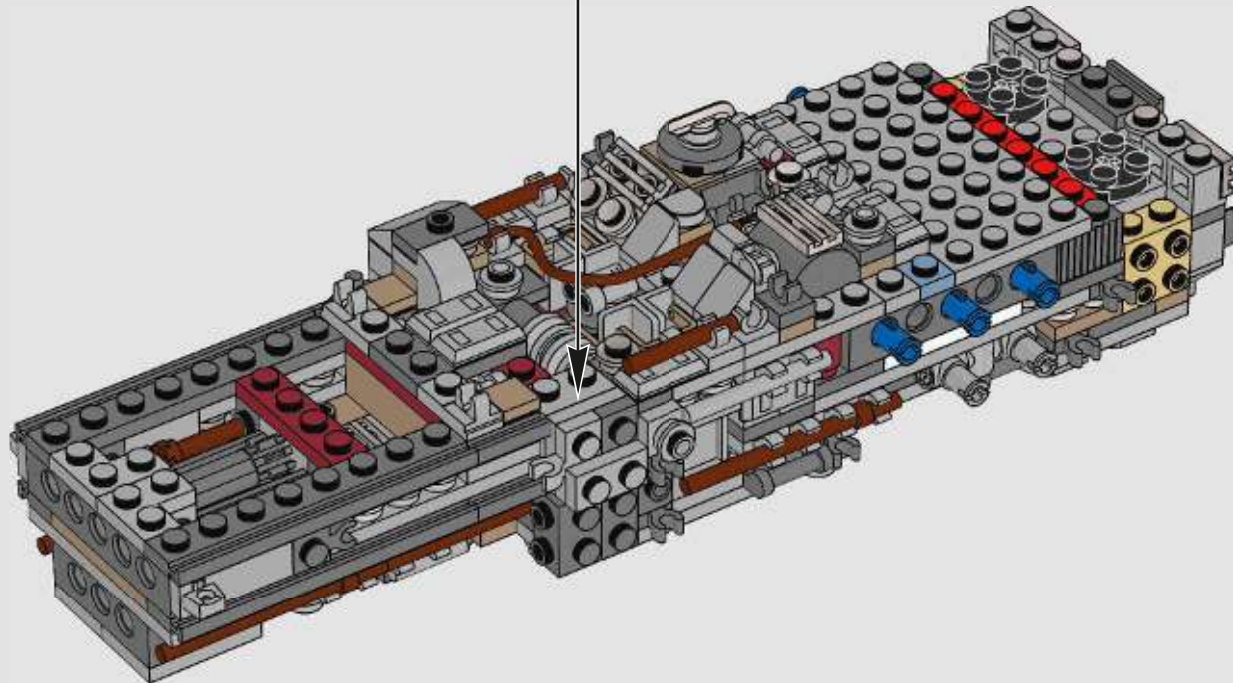
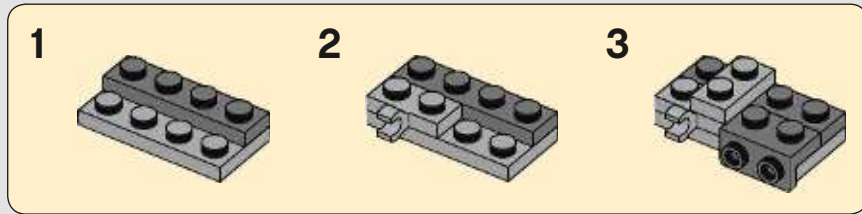


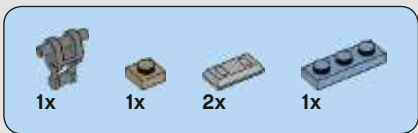
78



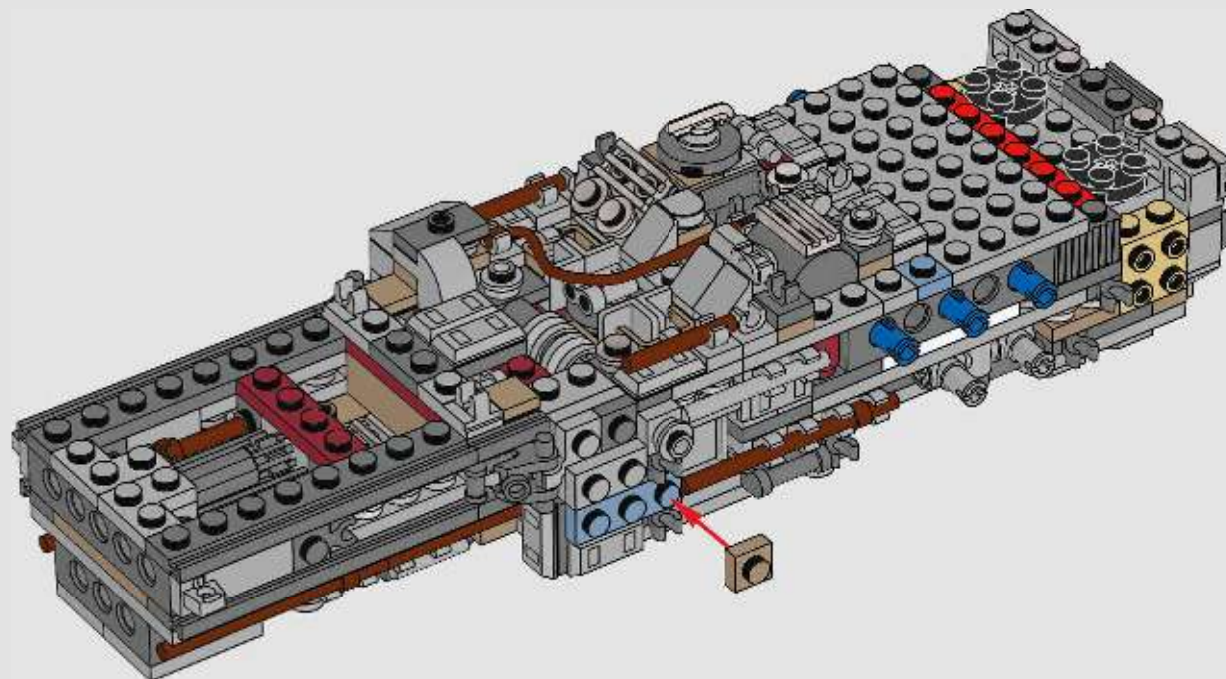


79





80



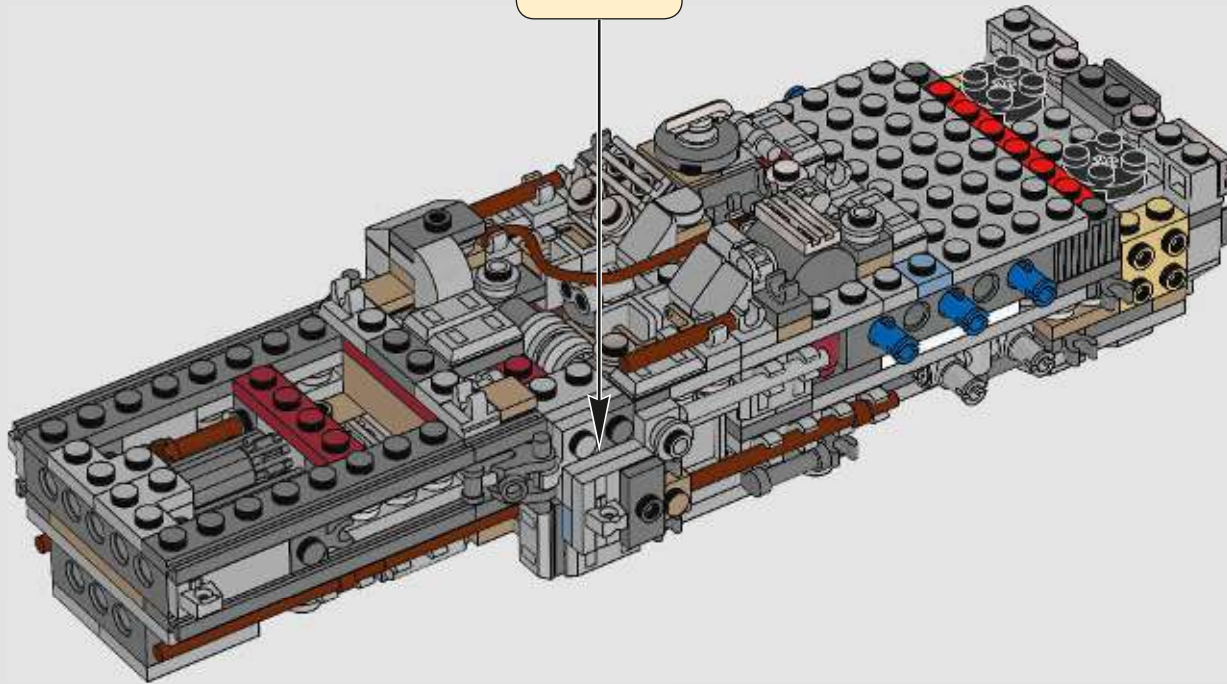
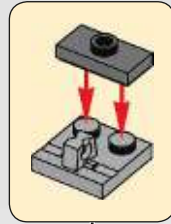


1x



1x

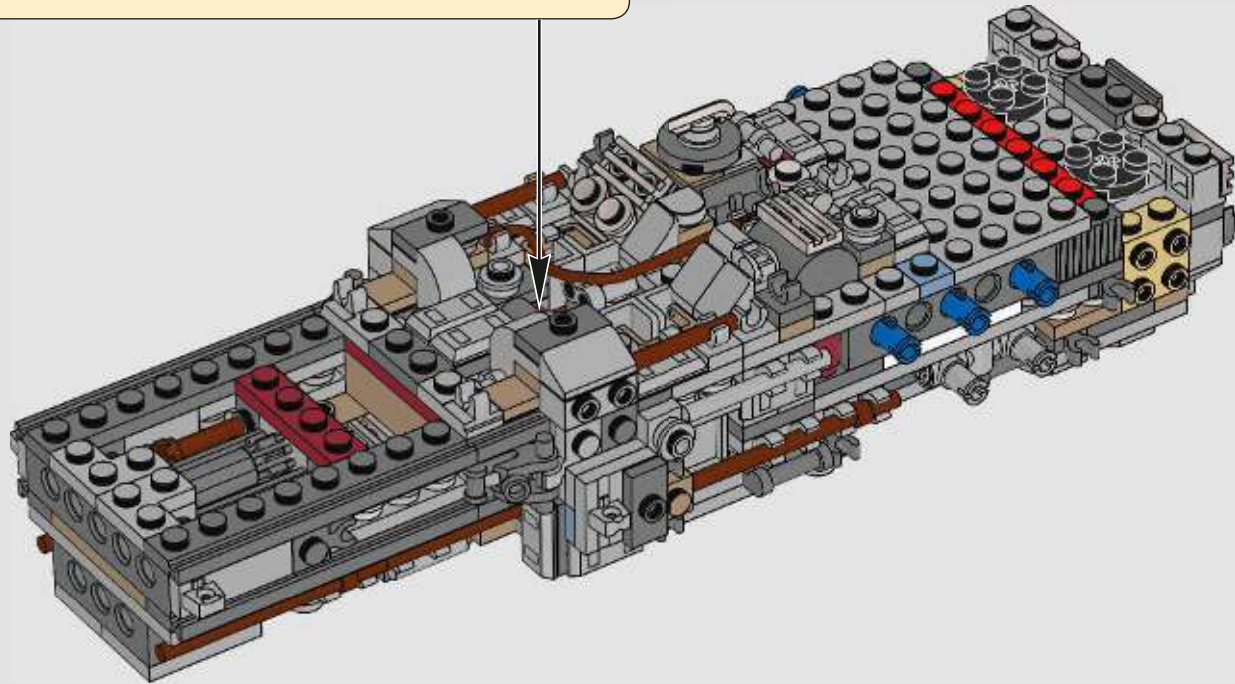
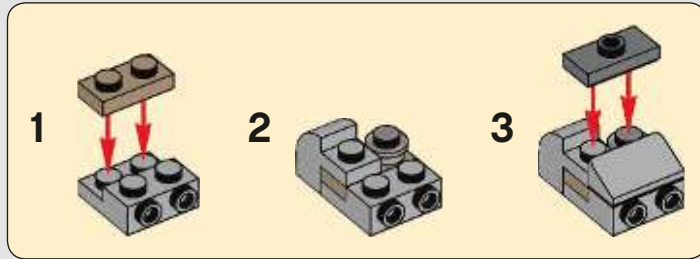
# 81

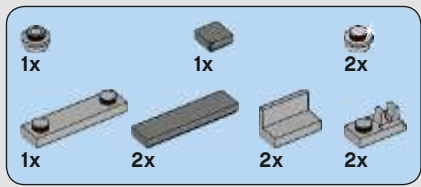




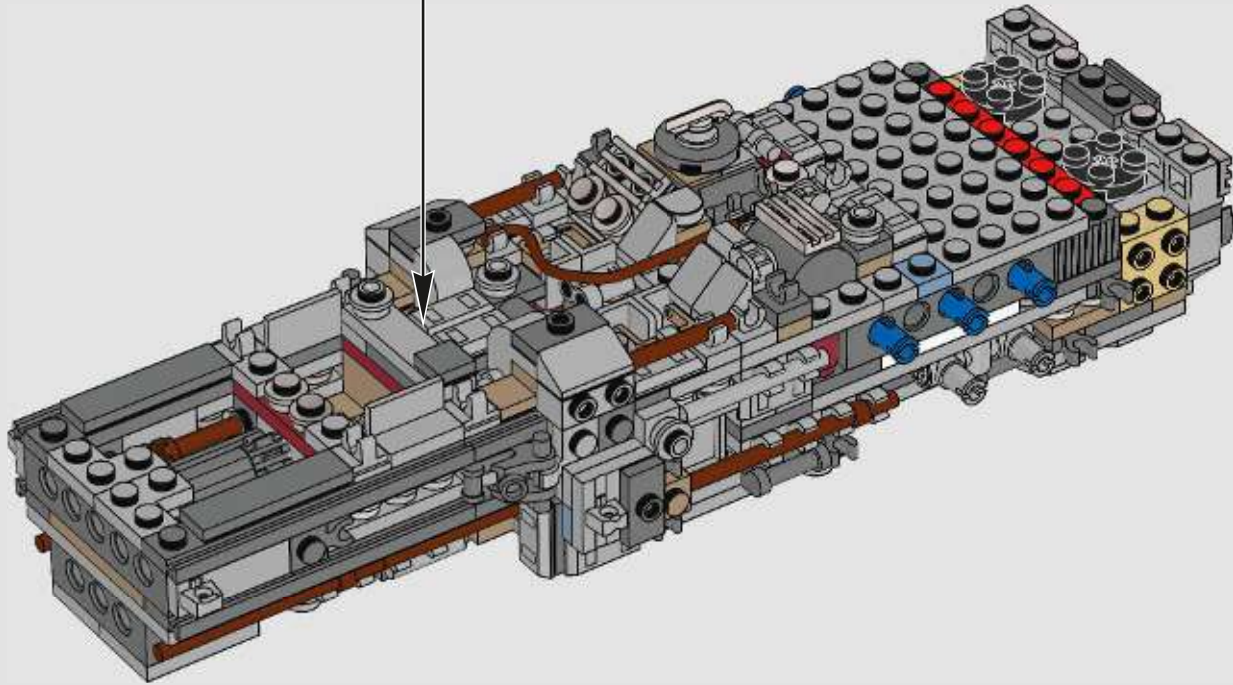
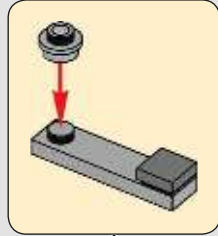


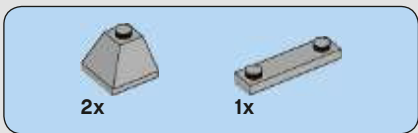
# 82



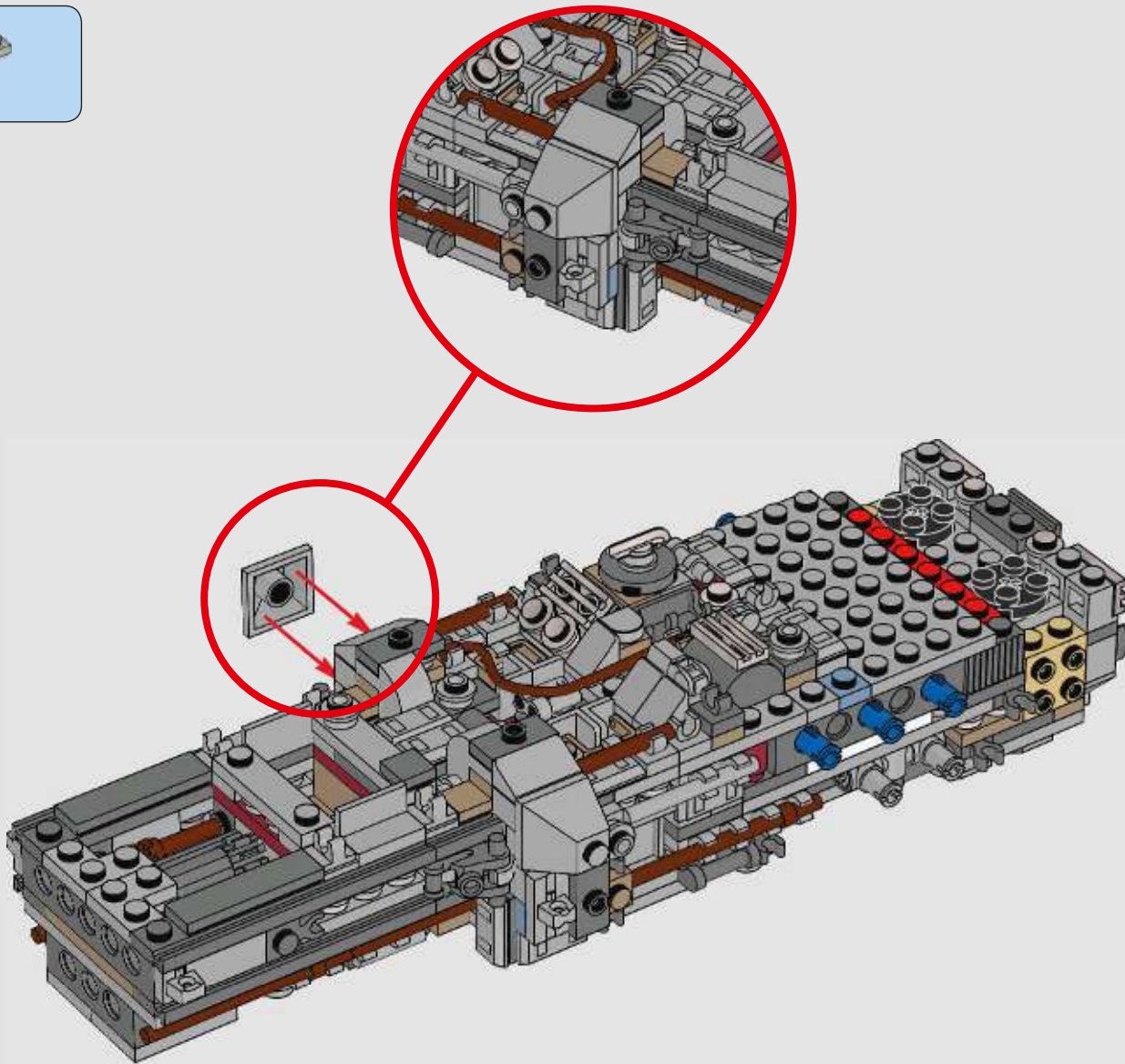


83



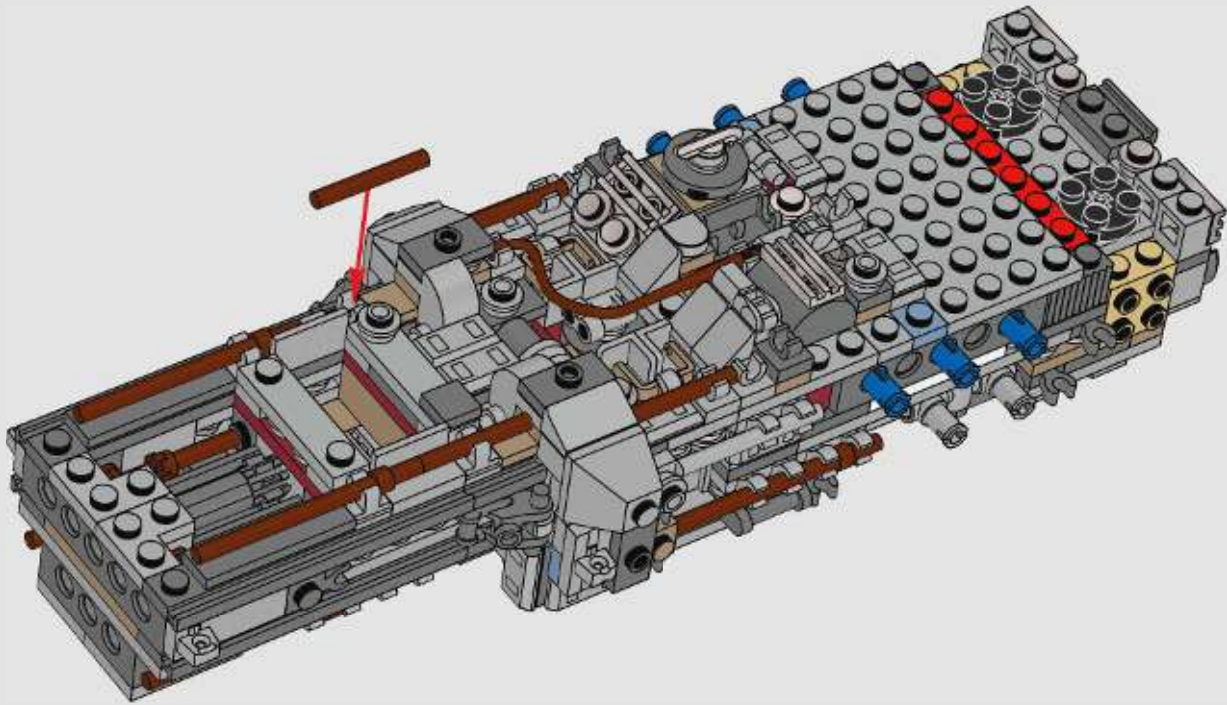


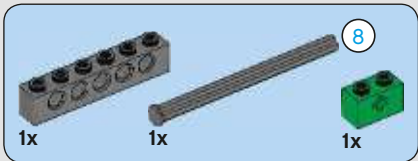
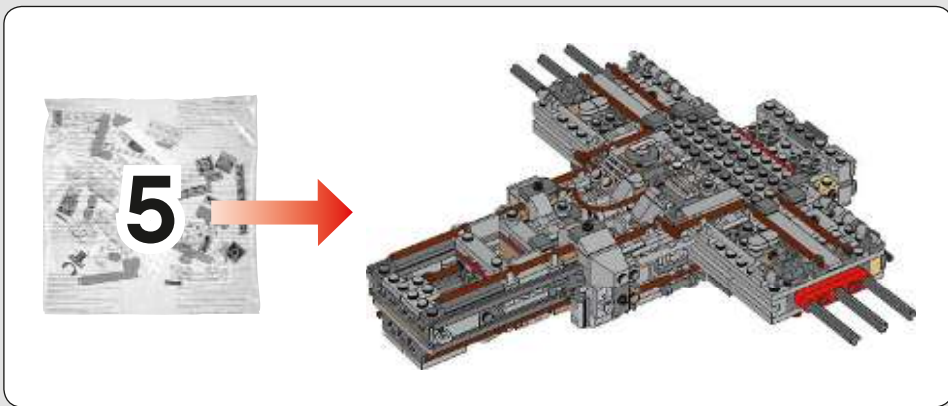
84



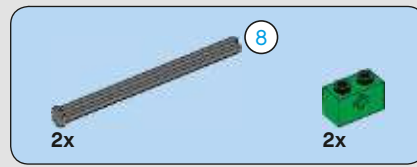
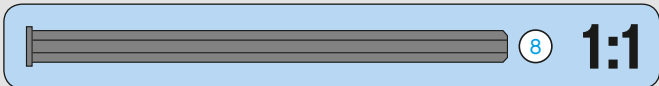
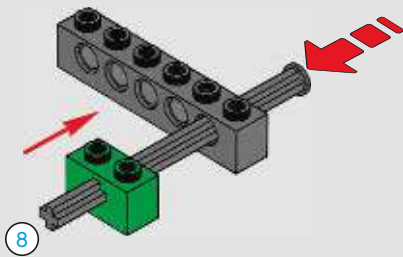


85

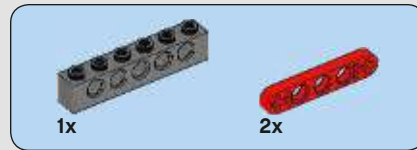
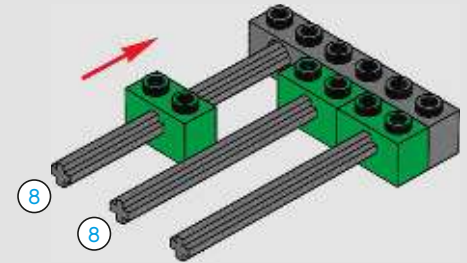




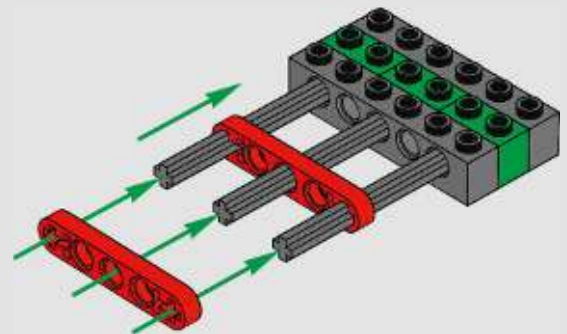
86

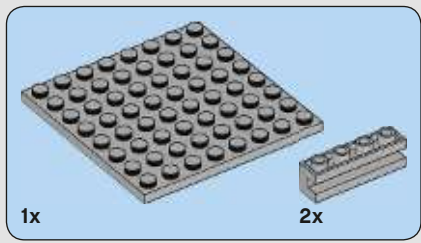


87

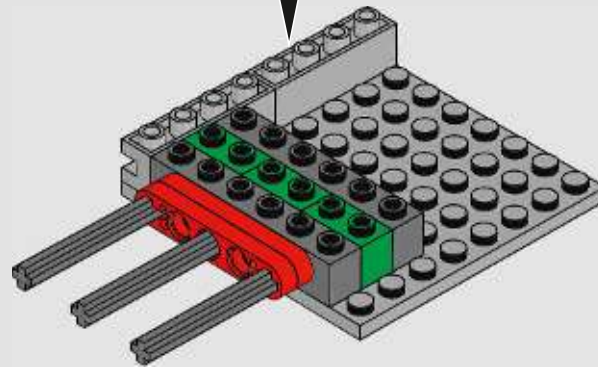
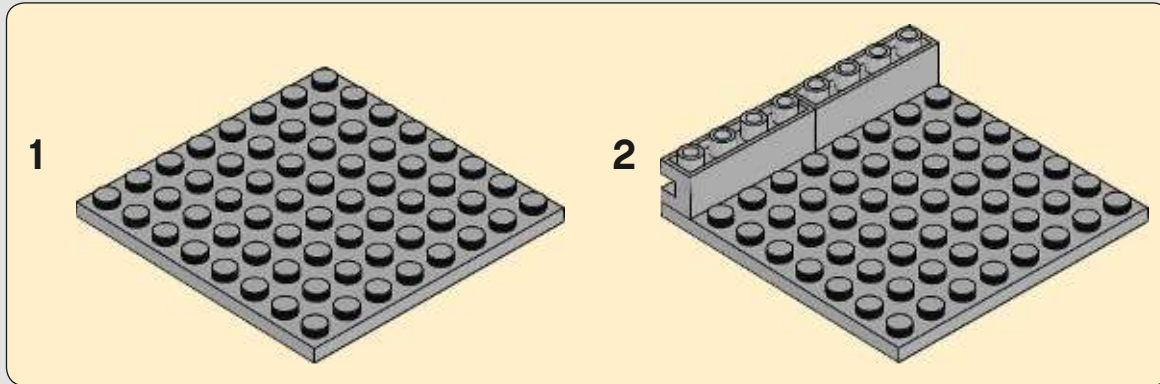


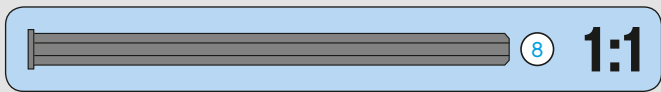
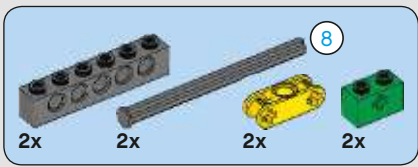
88



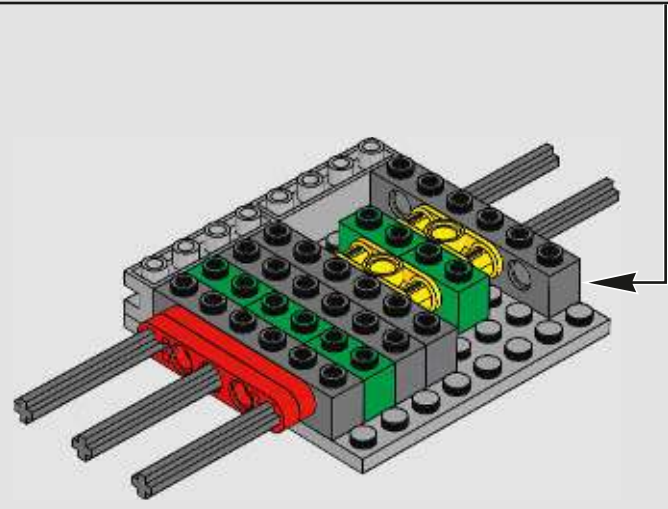
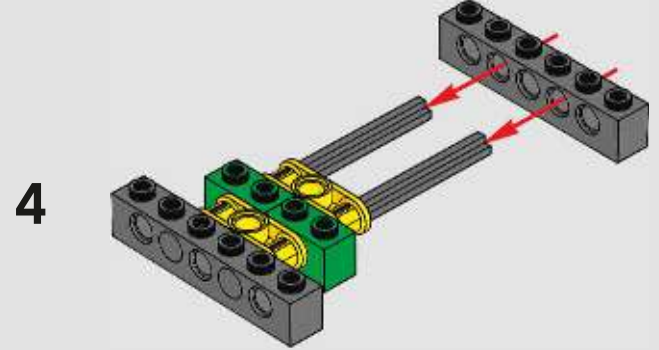
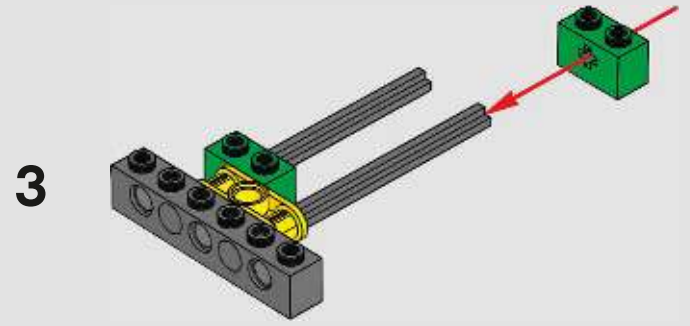
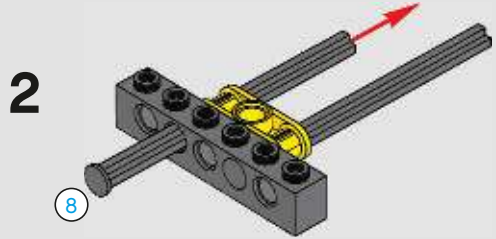
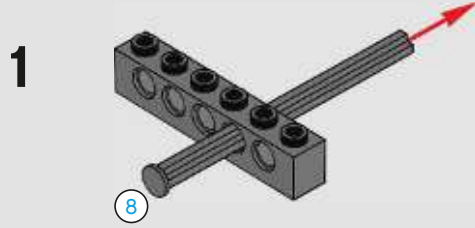


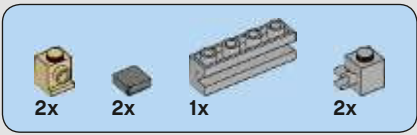
89



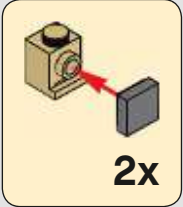


90

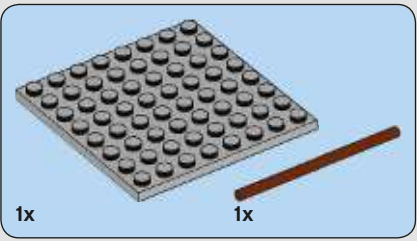
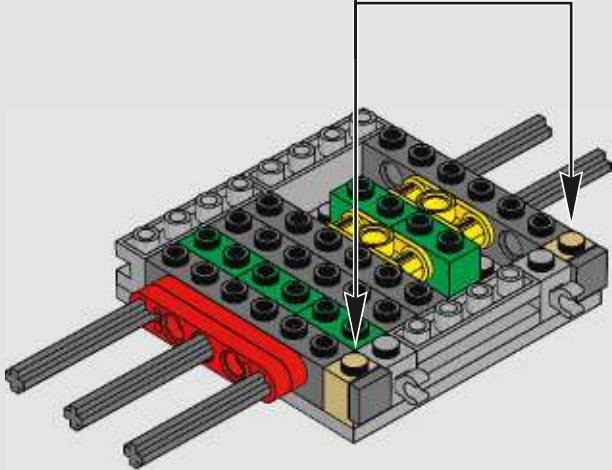




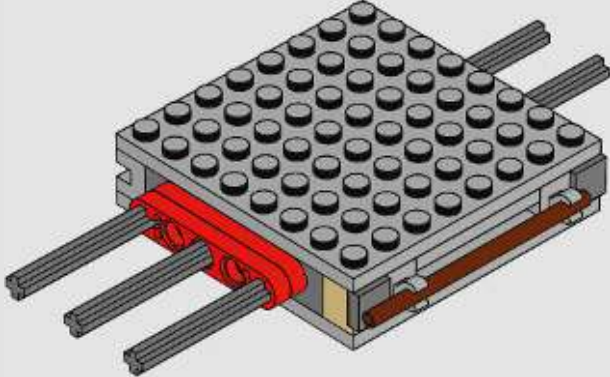
91



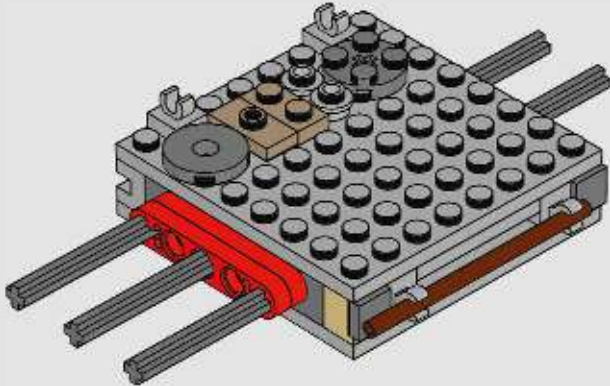
2x



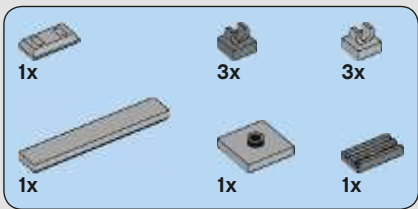
92



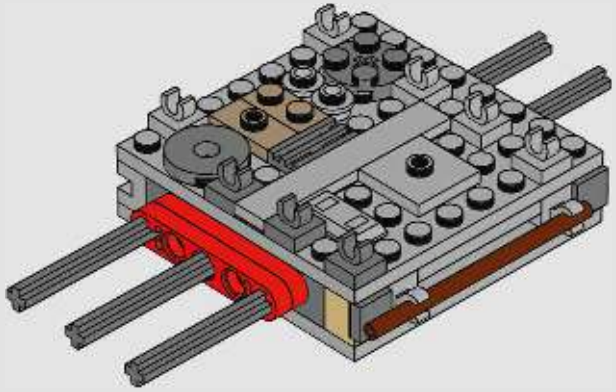
93



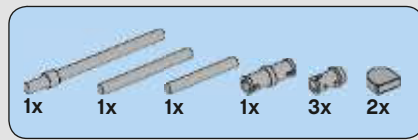
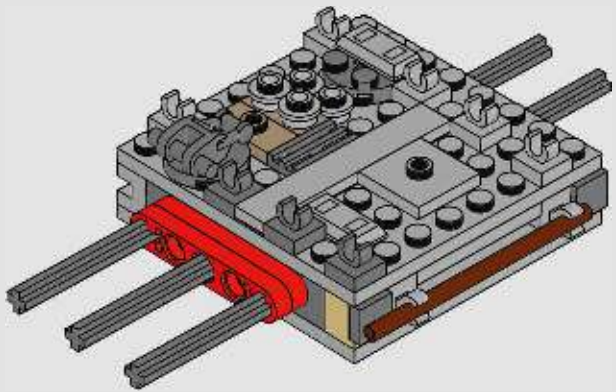




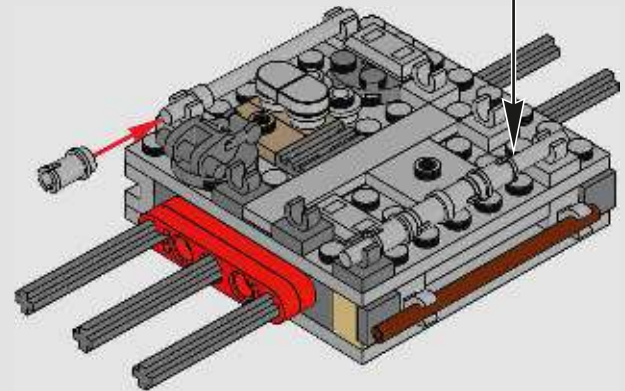
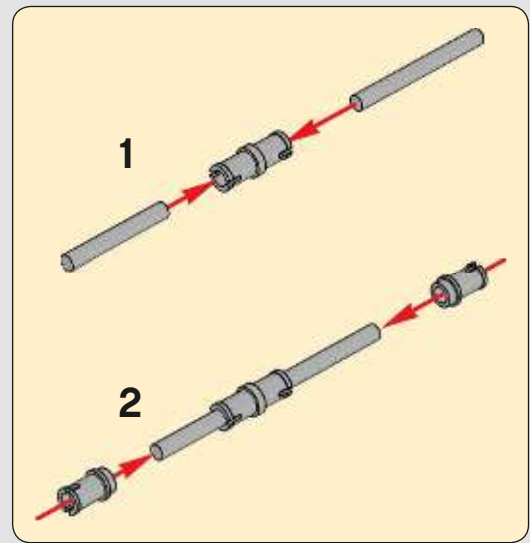
94



95

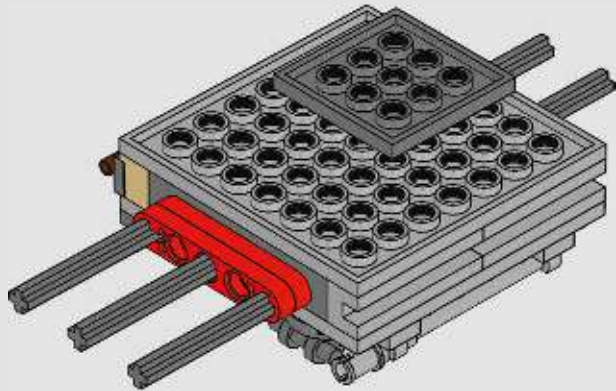


96

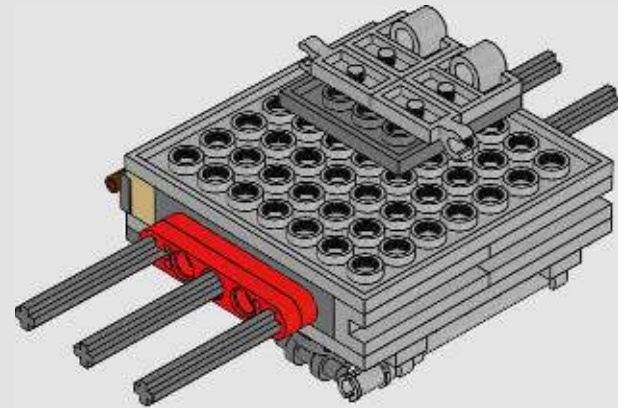


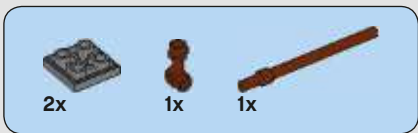


97

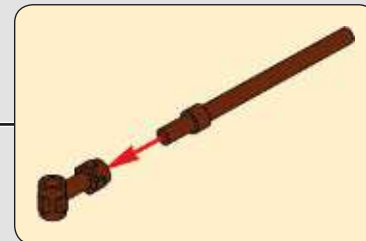
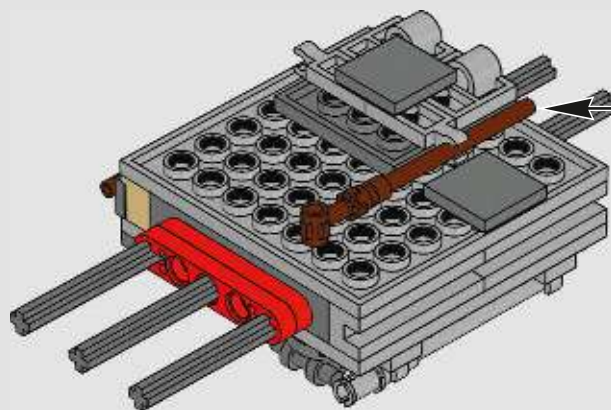


98

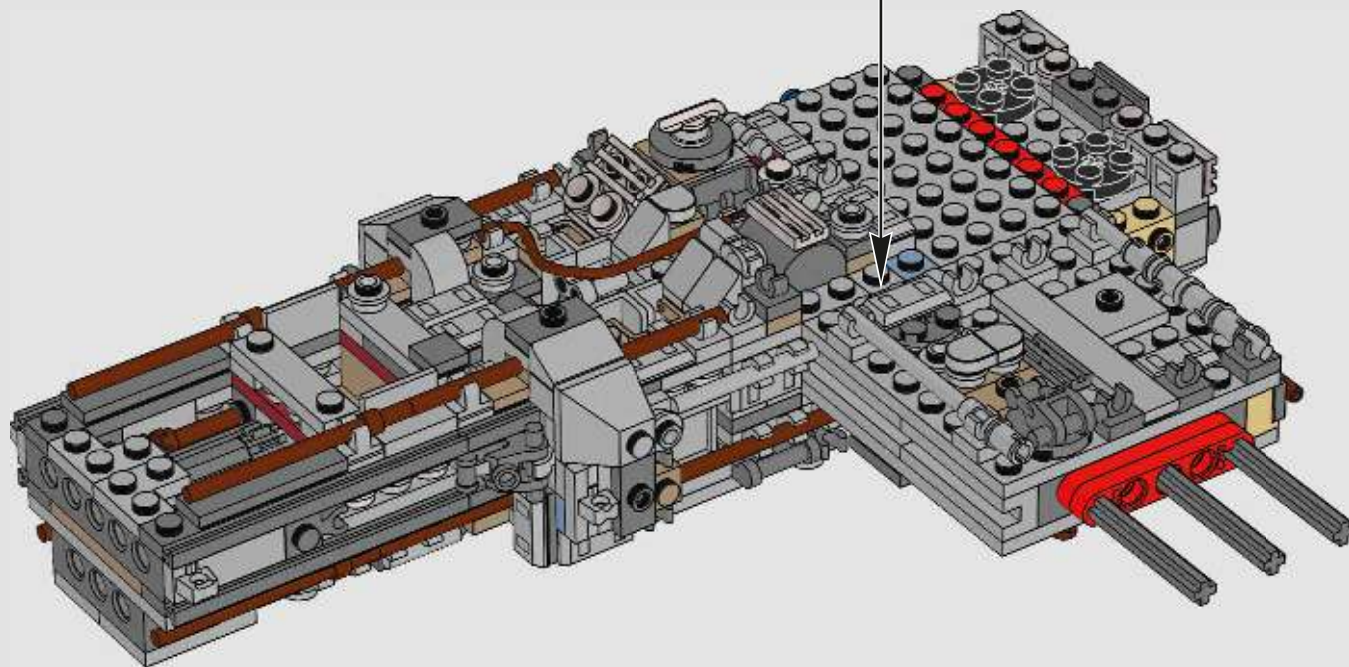


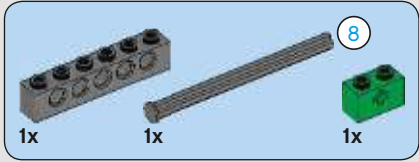
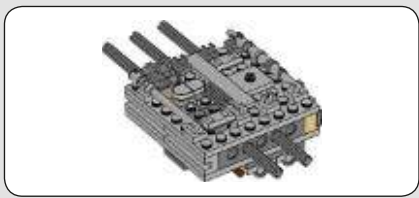


99

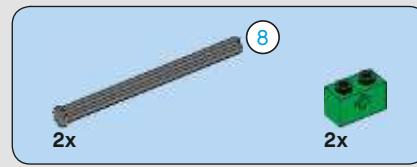
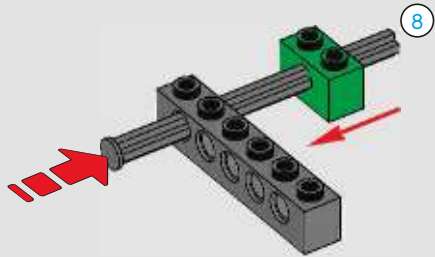


100

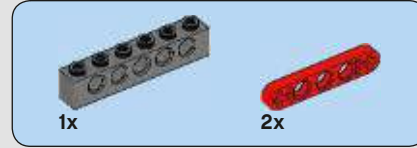
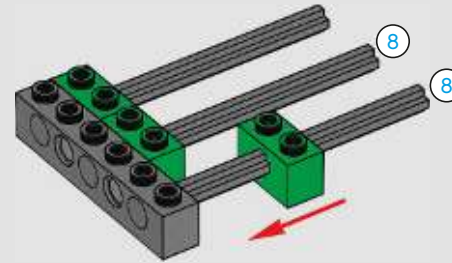




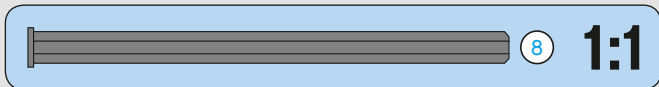
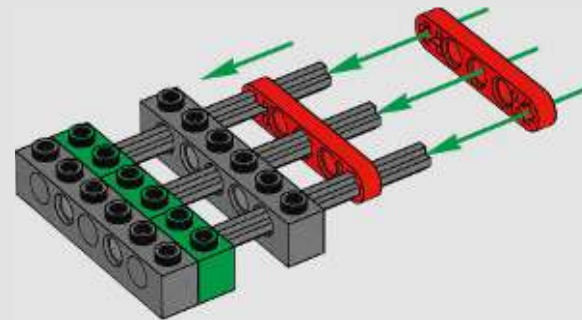
101

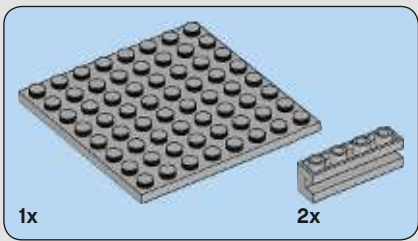


102

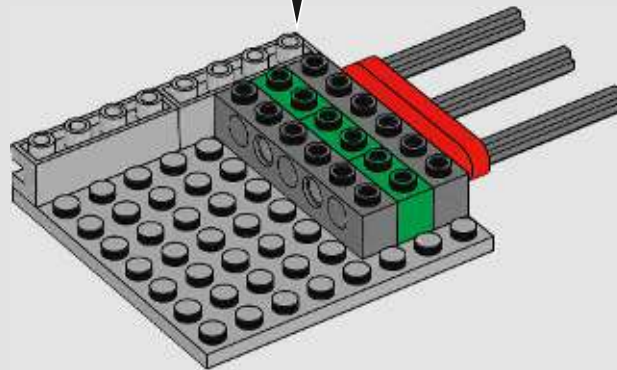
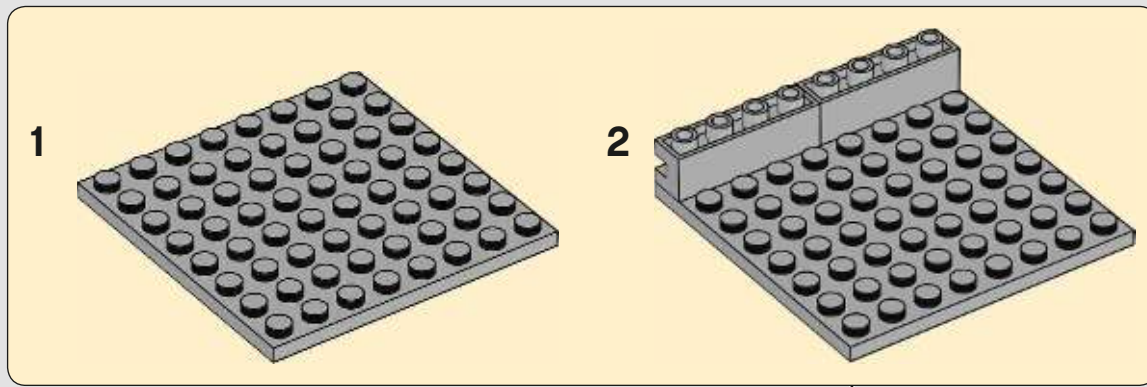


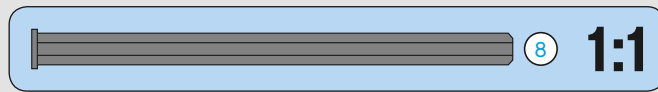
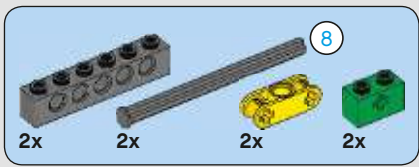
103





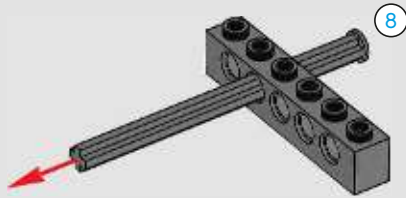
104



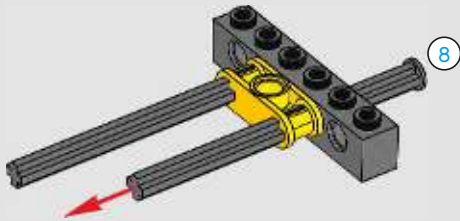


105

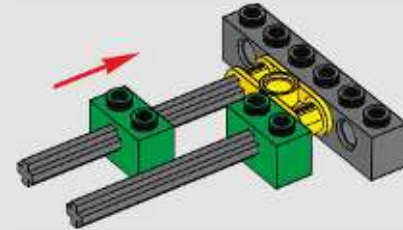
1



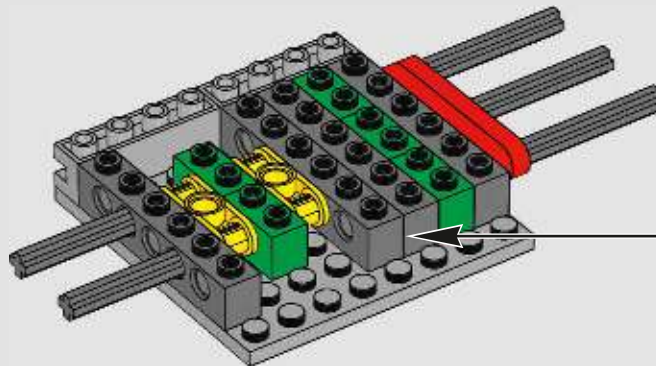
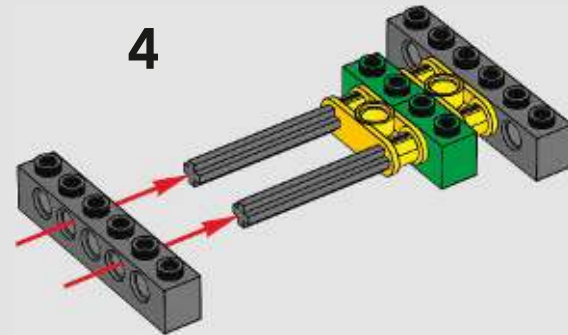
2

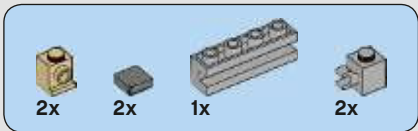


3

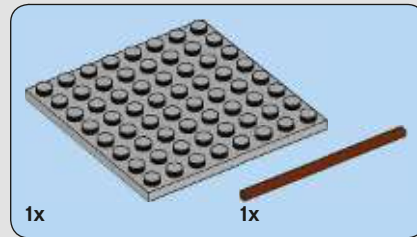
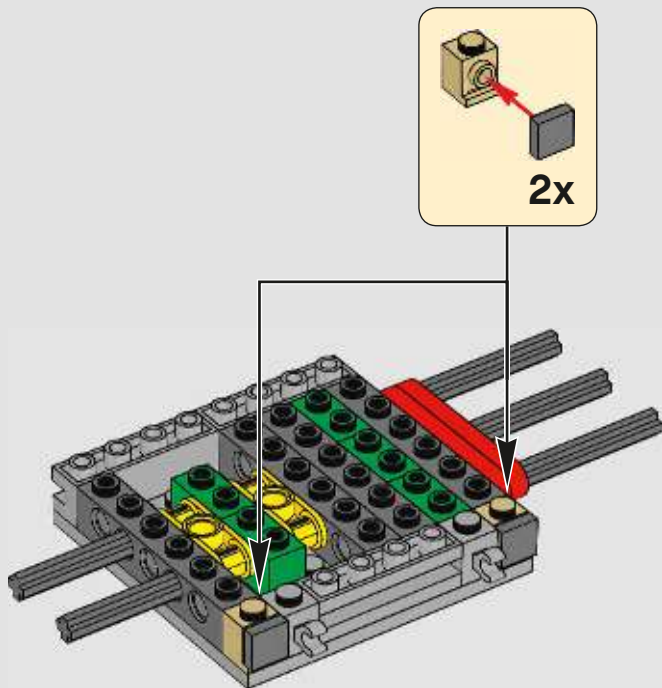


4

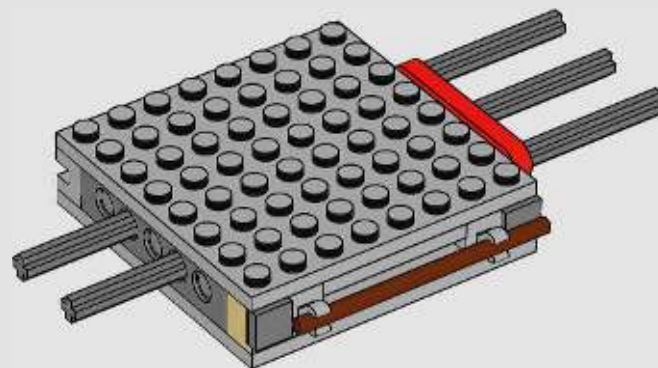




106

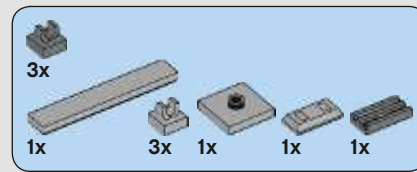
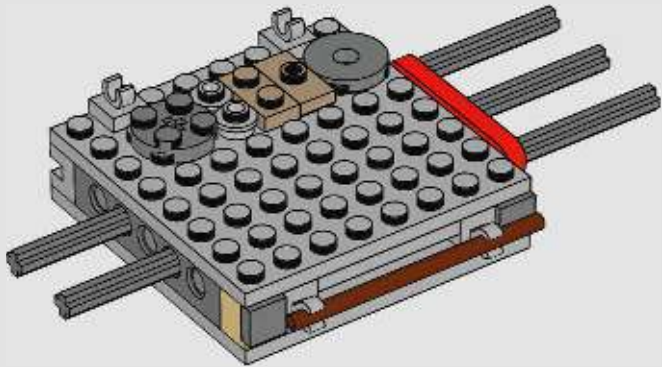


107

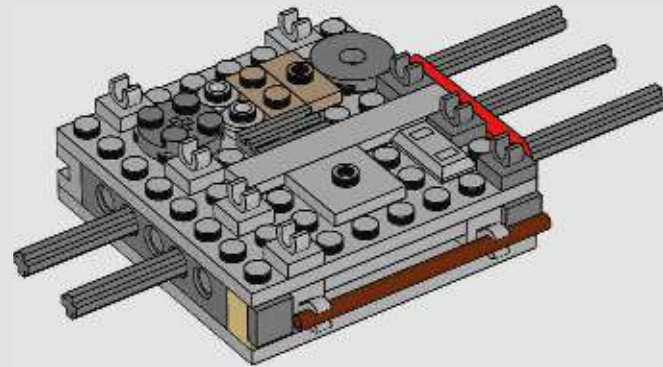




108



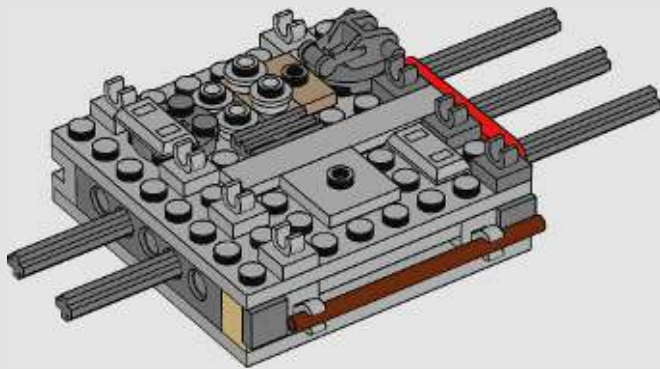
109



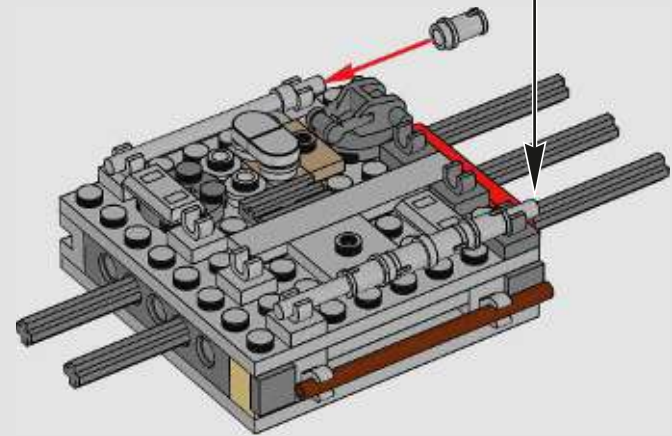
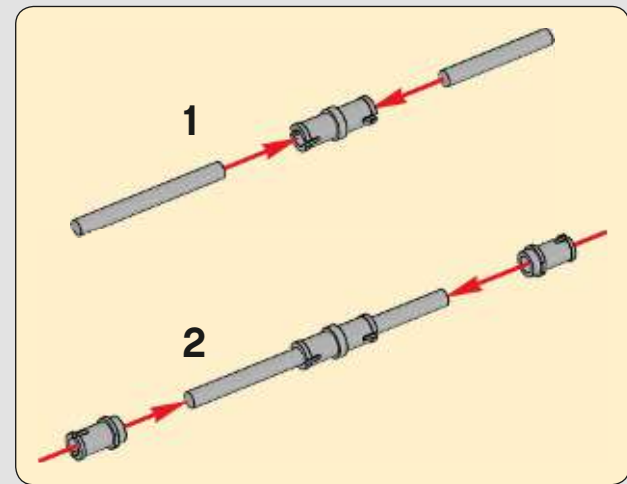




110



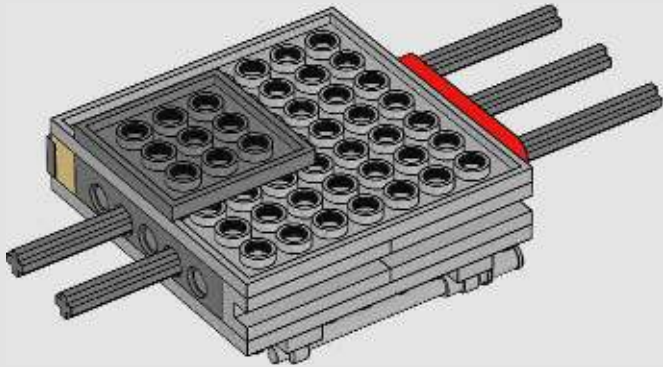
111



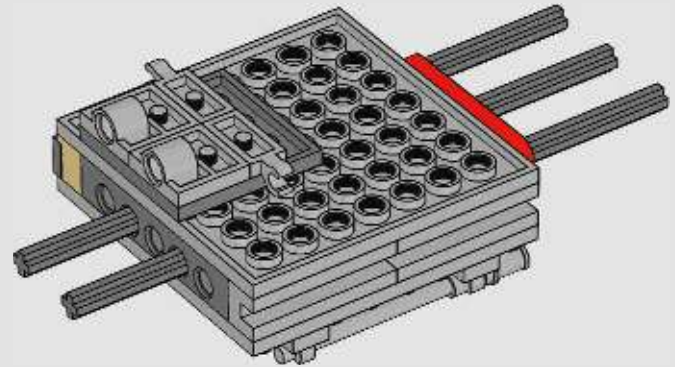


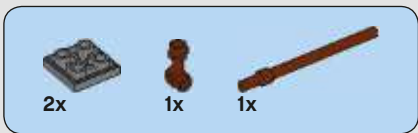
1x

# 112

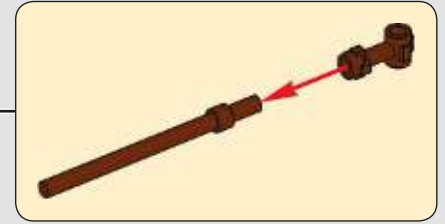
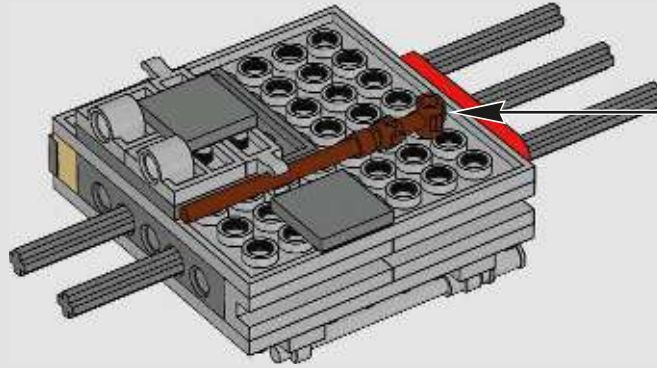


# 113

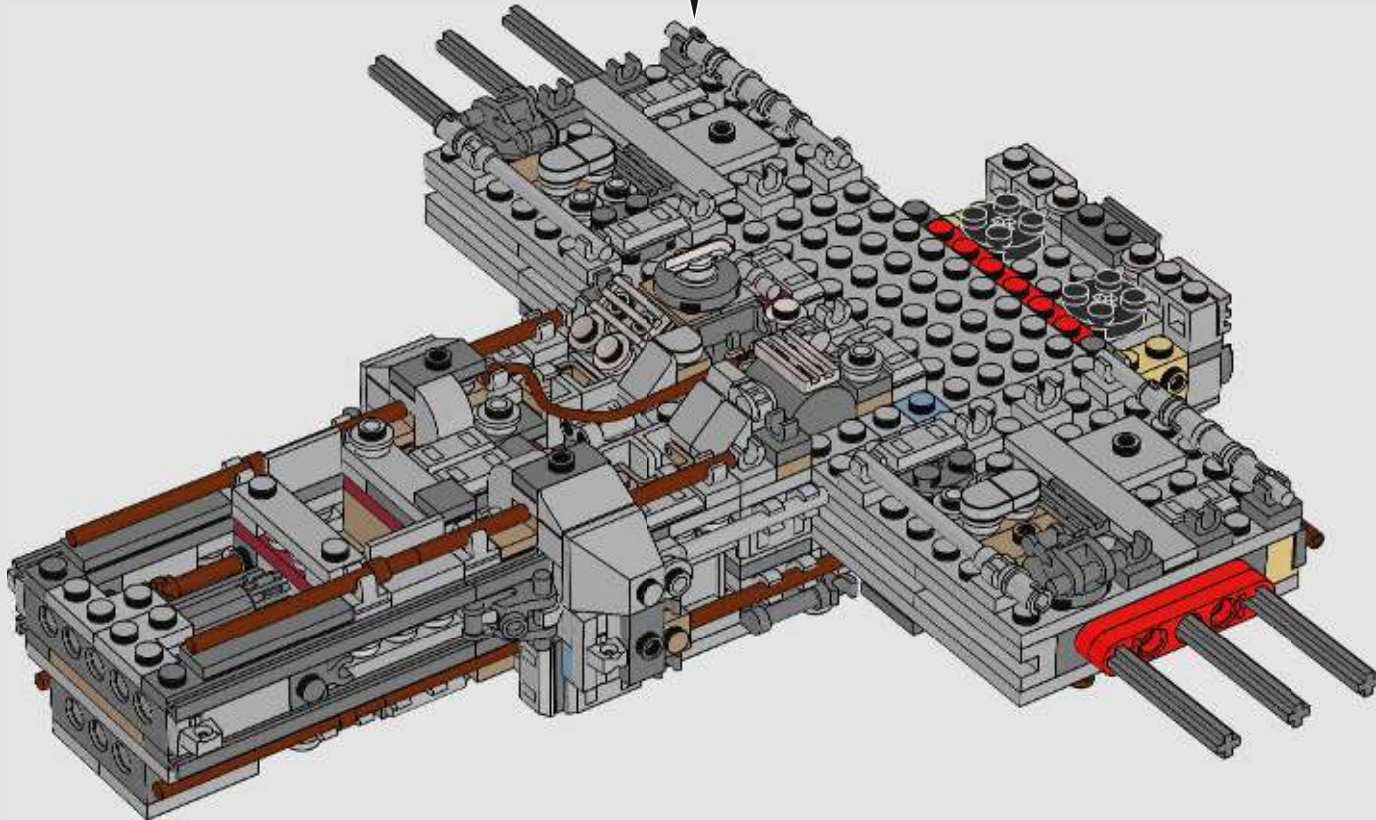


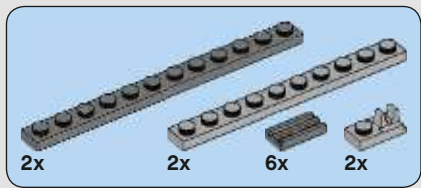


114

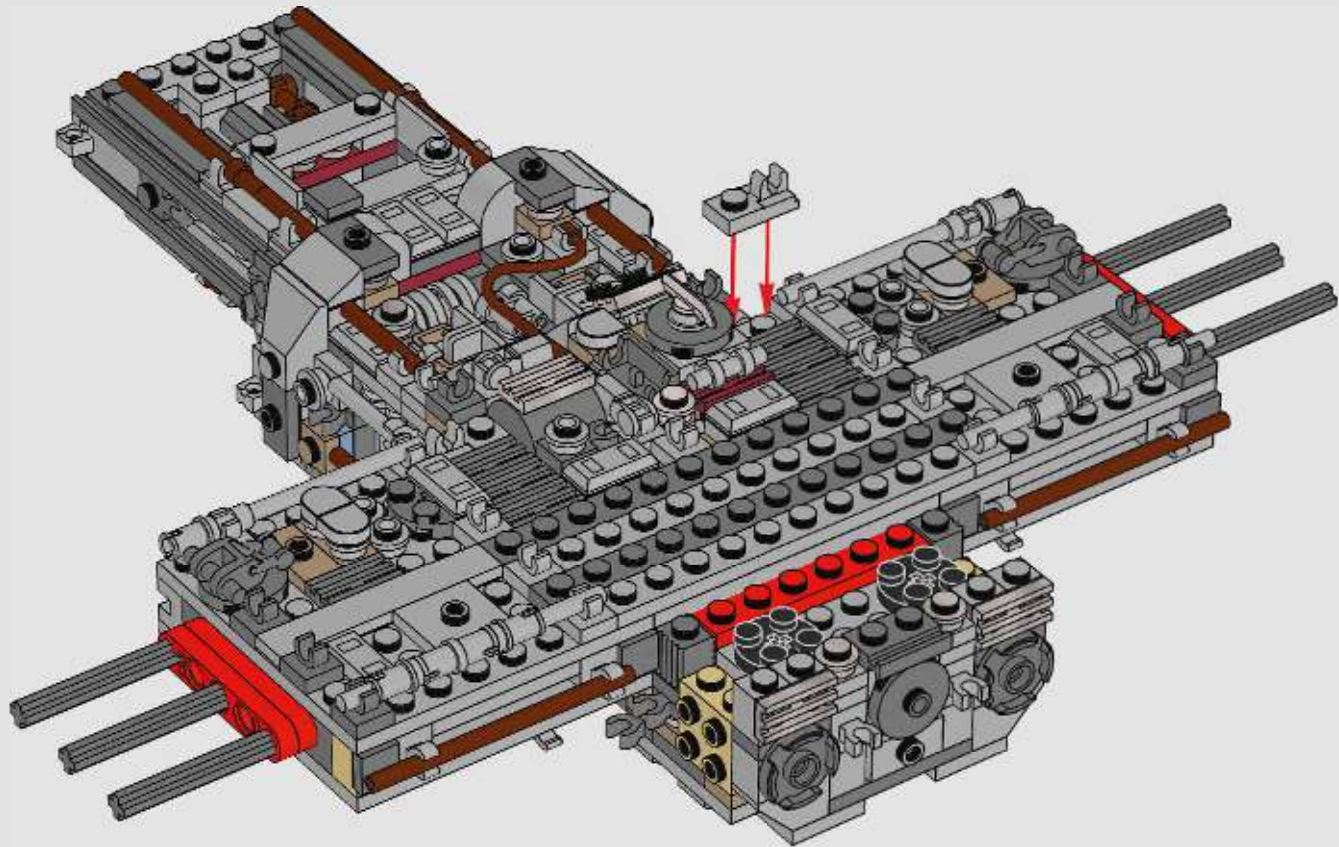


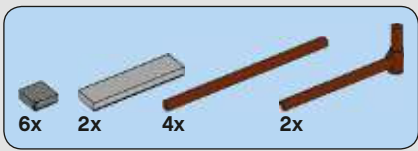
115



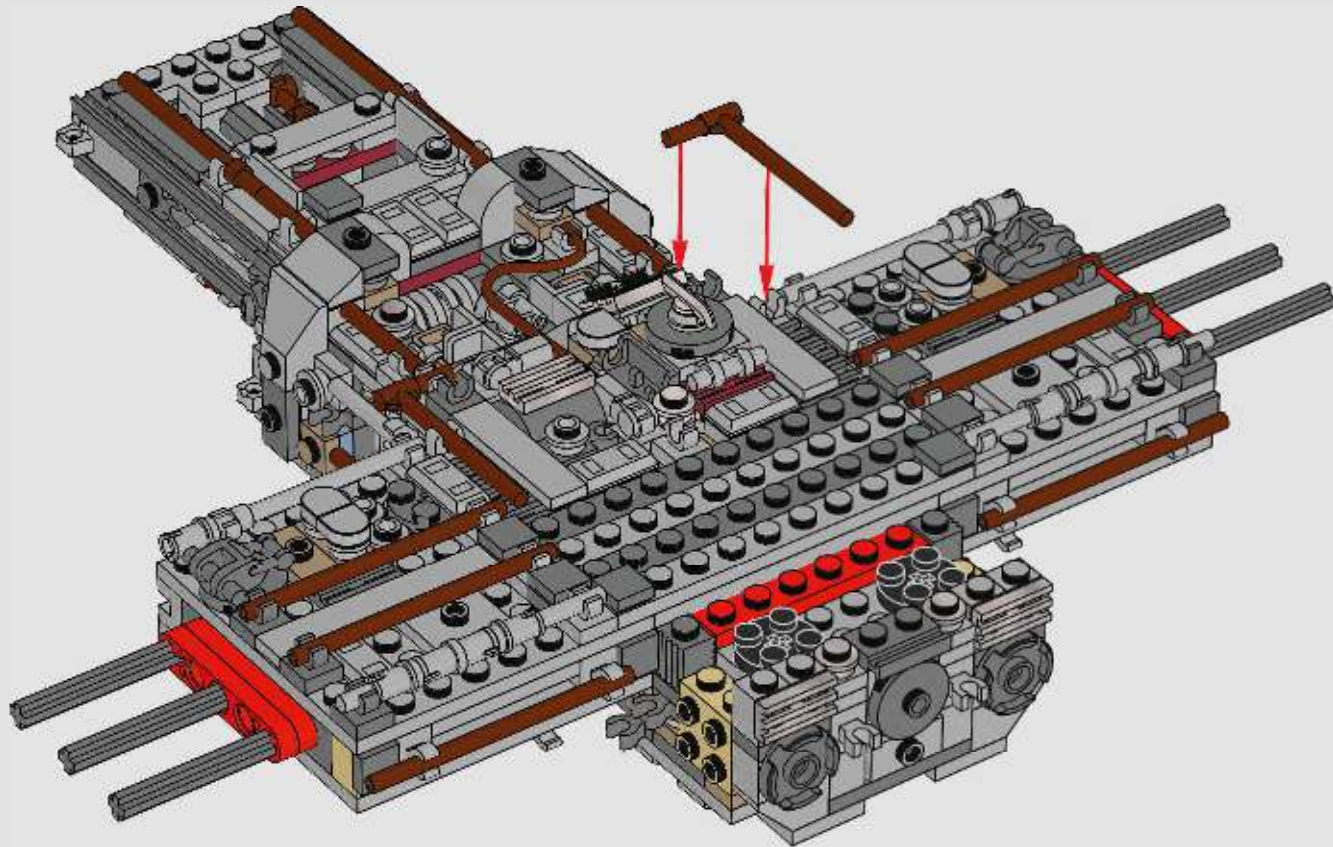


116



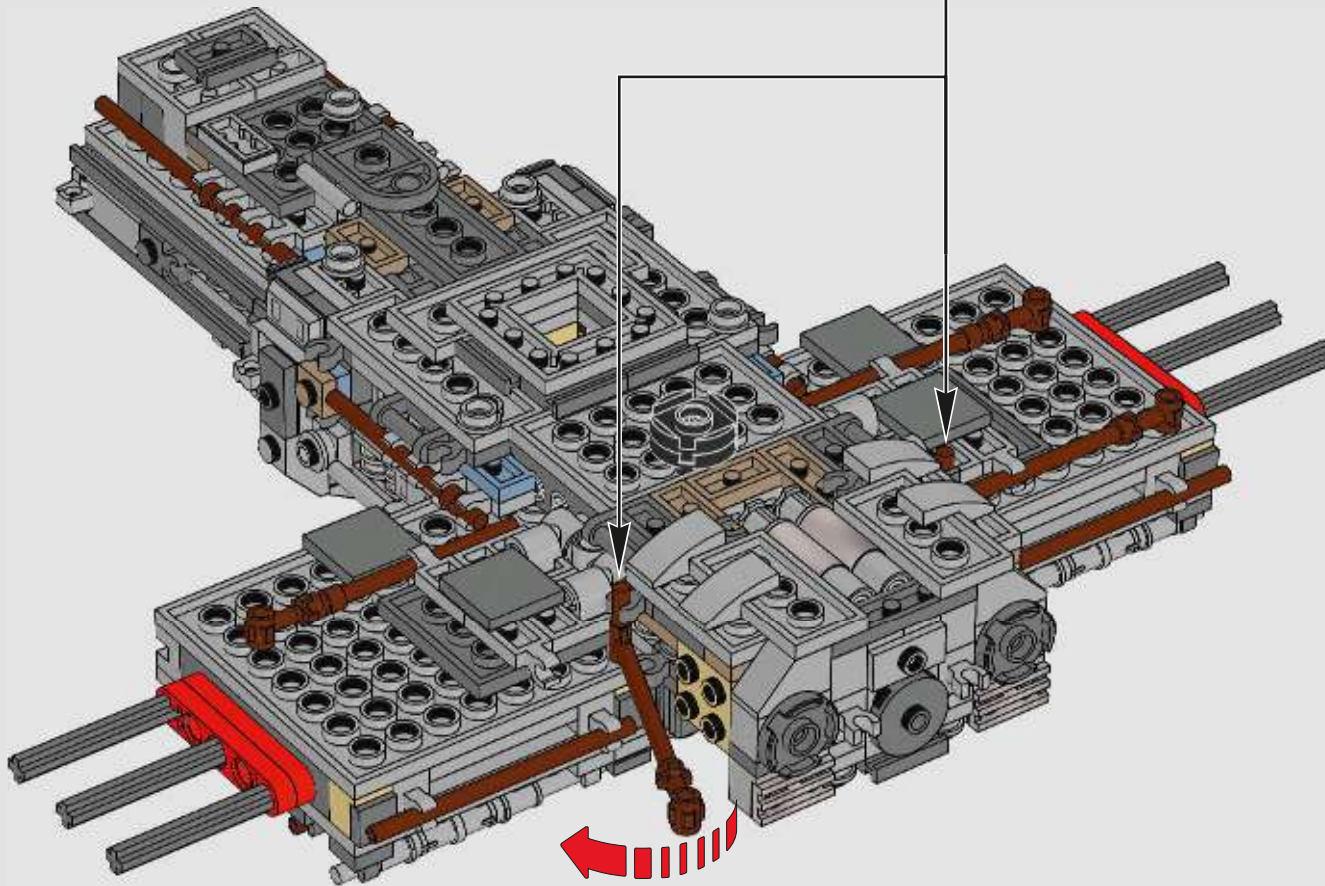
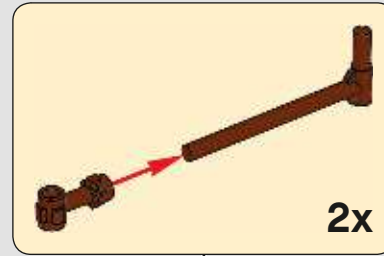


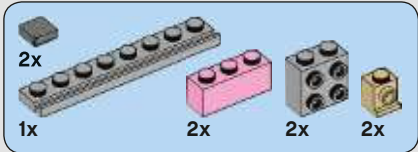
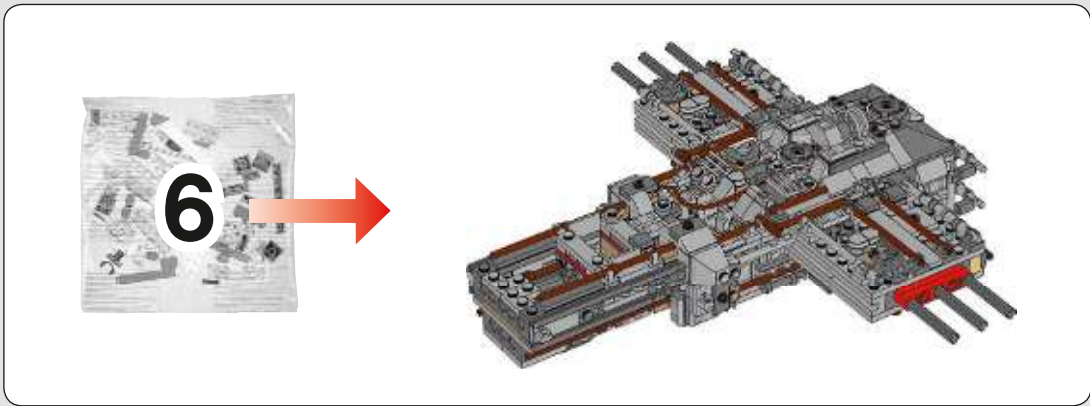
117



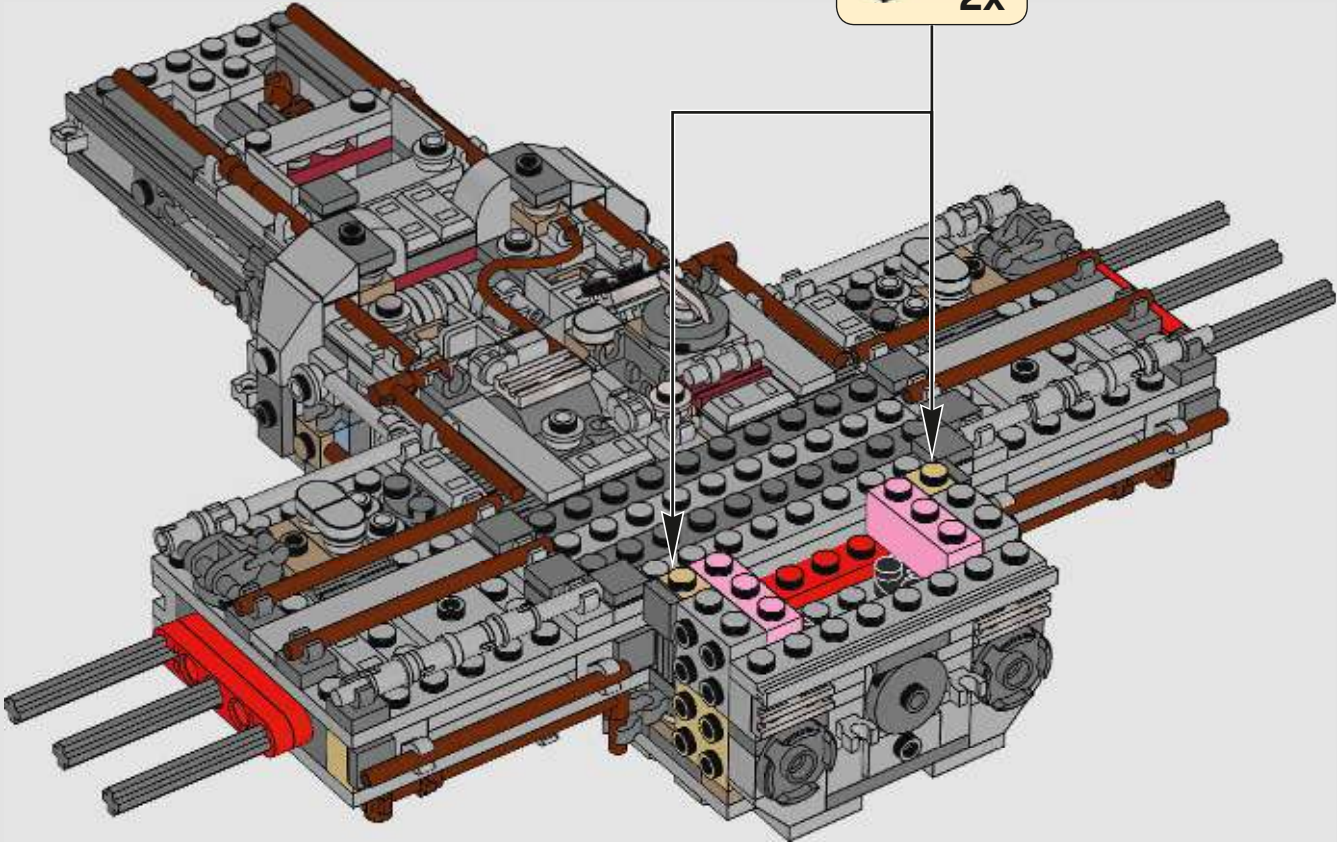
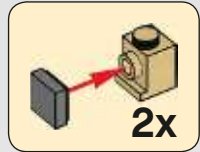


118





119



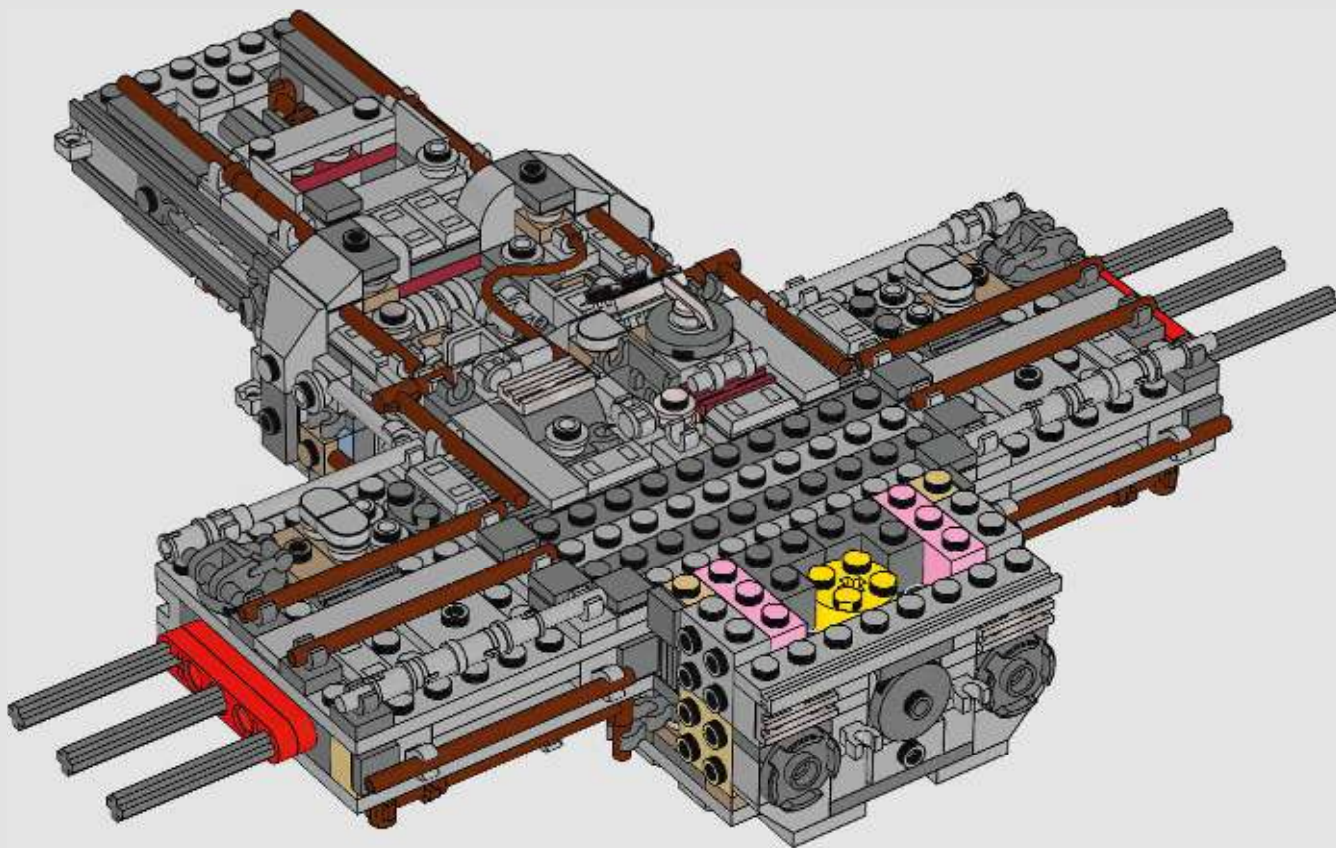


1x

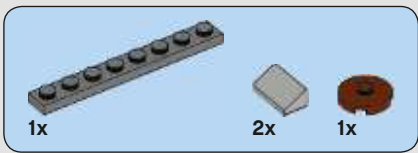


2x

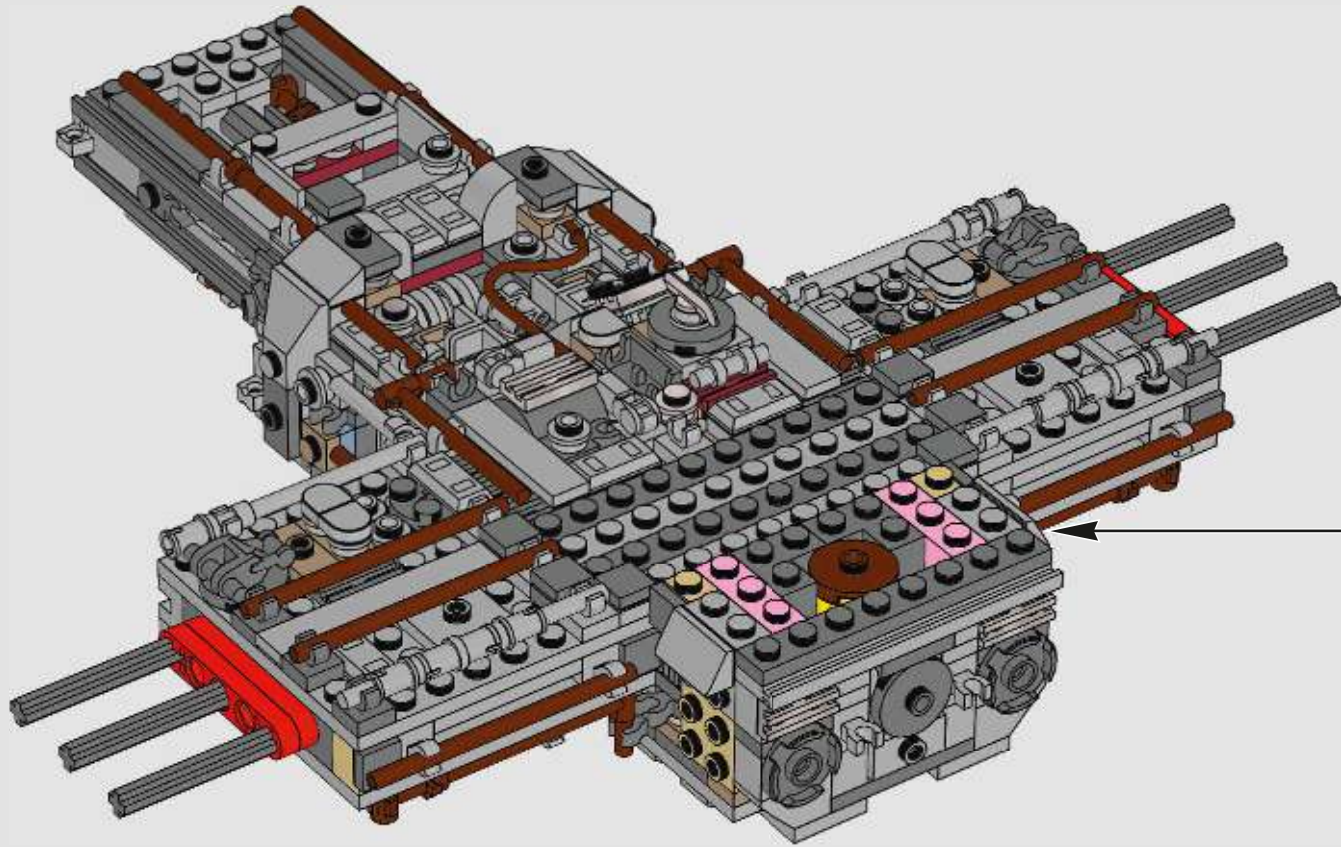
120







121





1x



1x

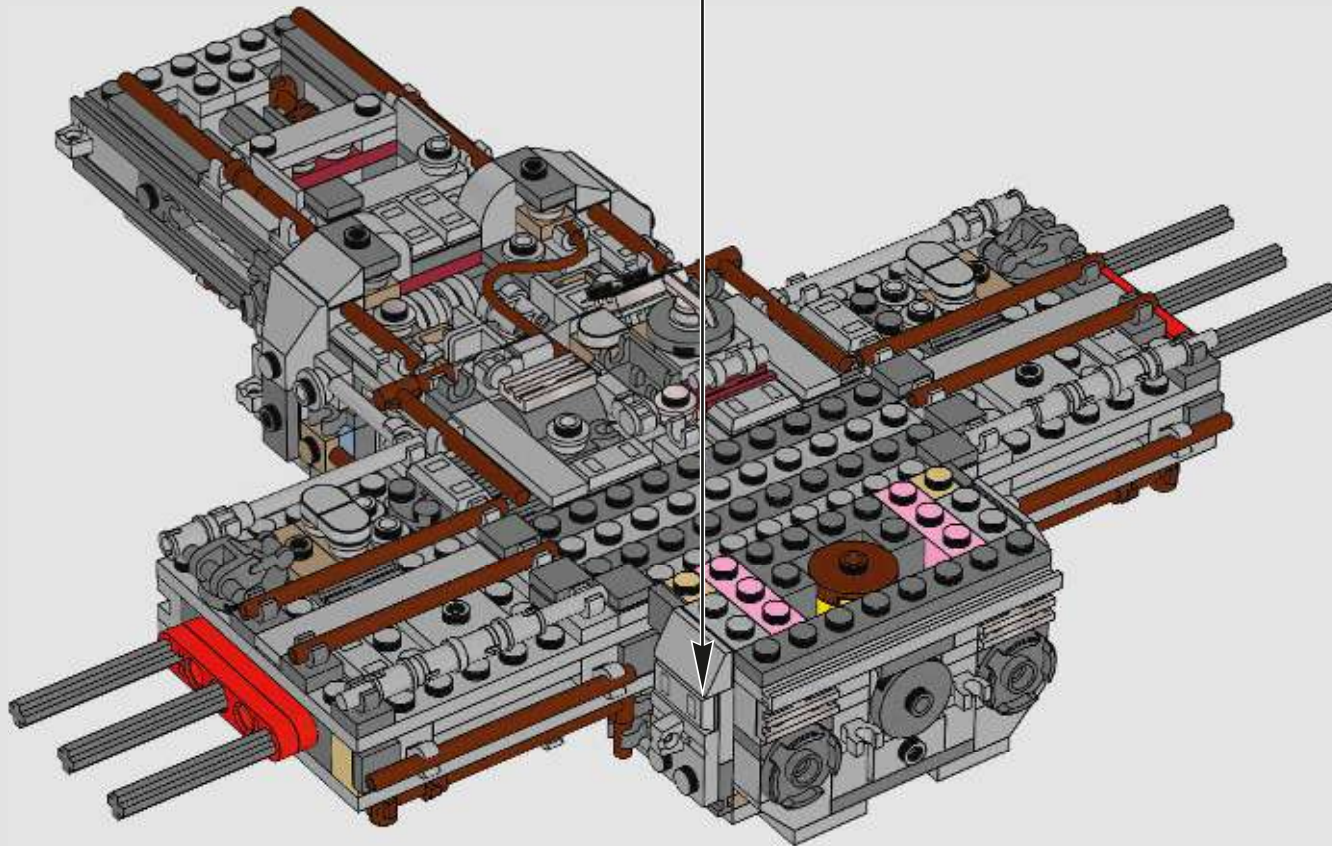
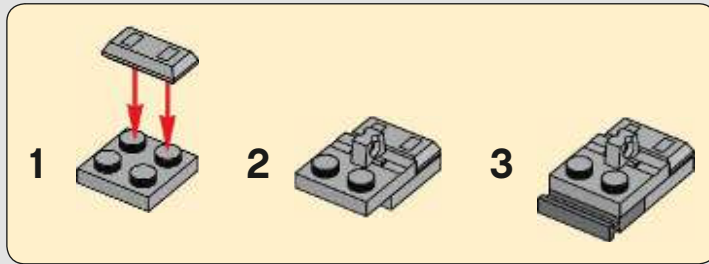


1x



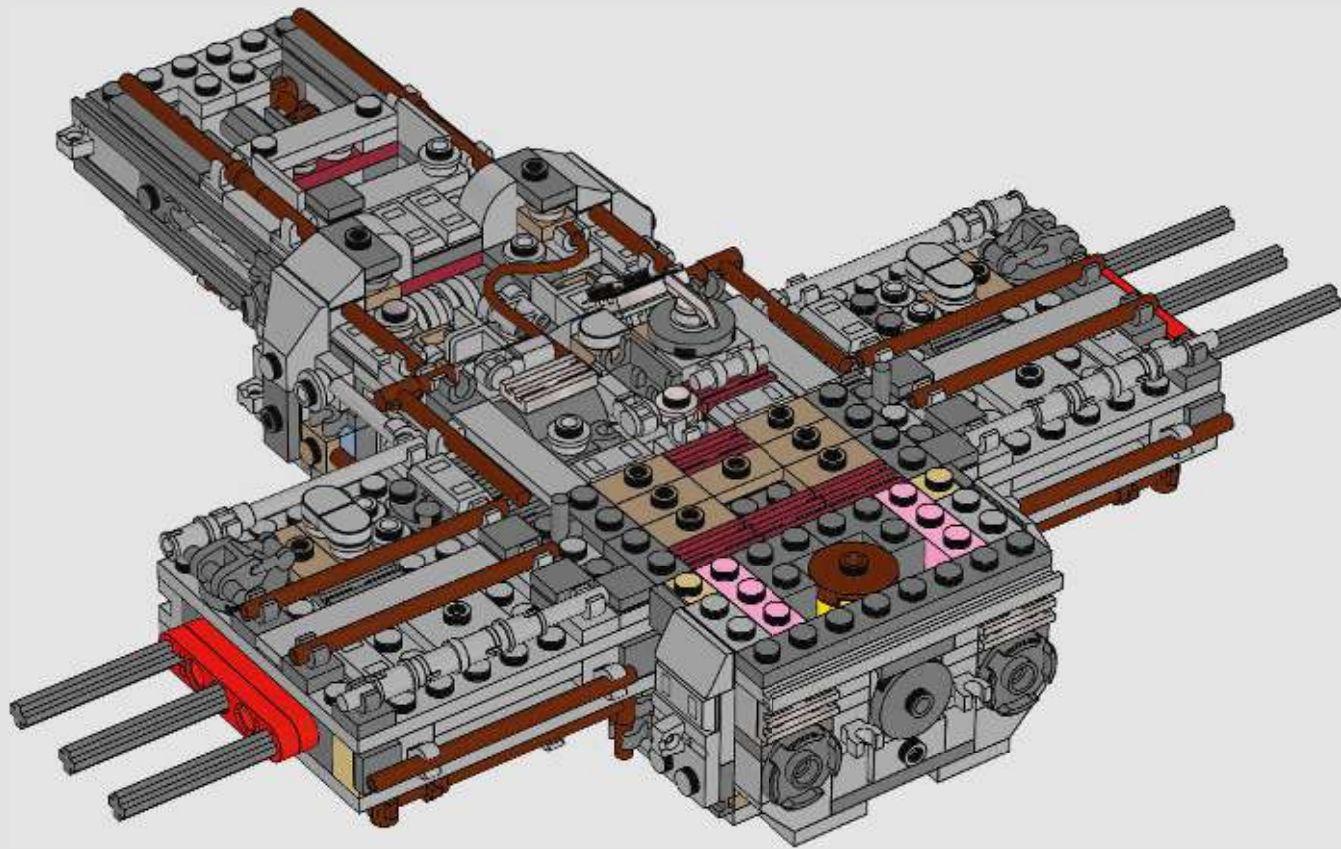
1x

# 122



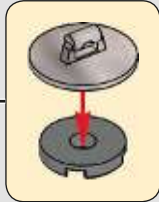
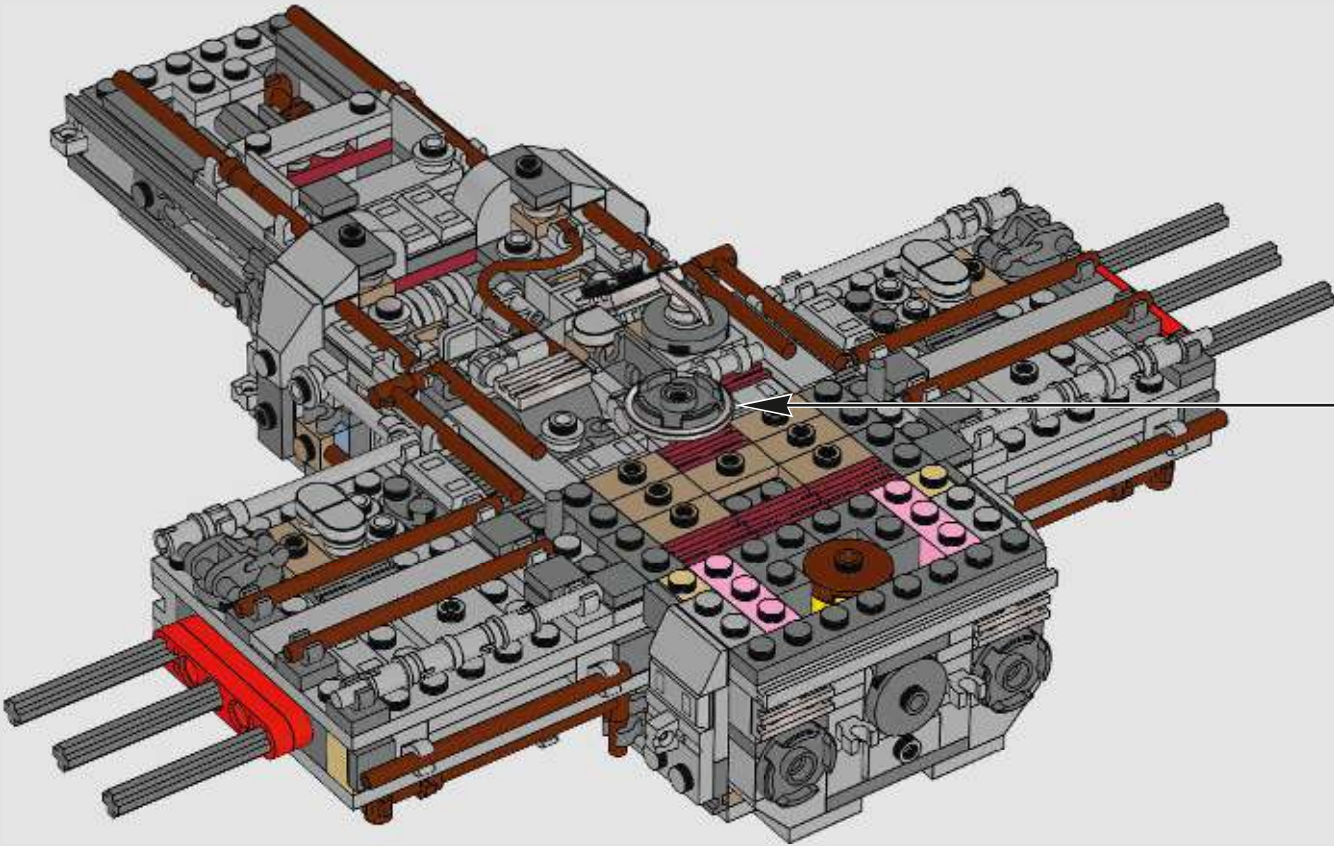


123



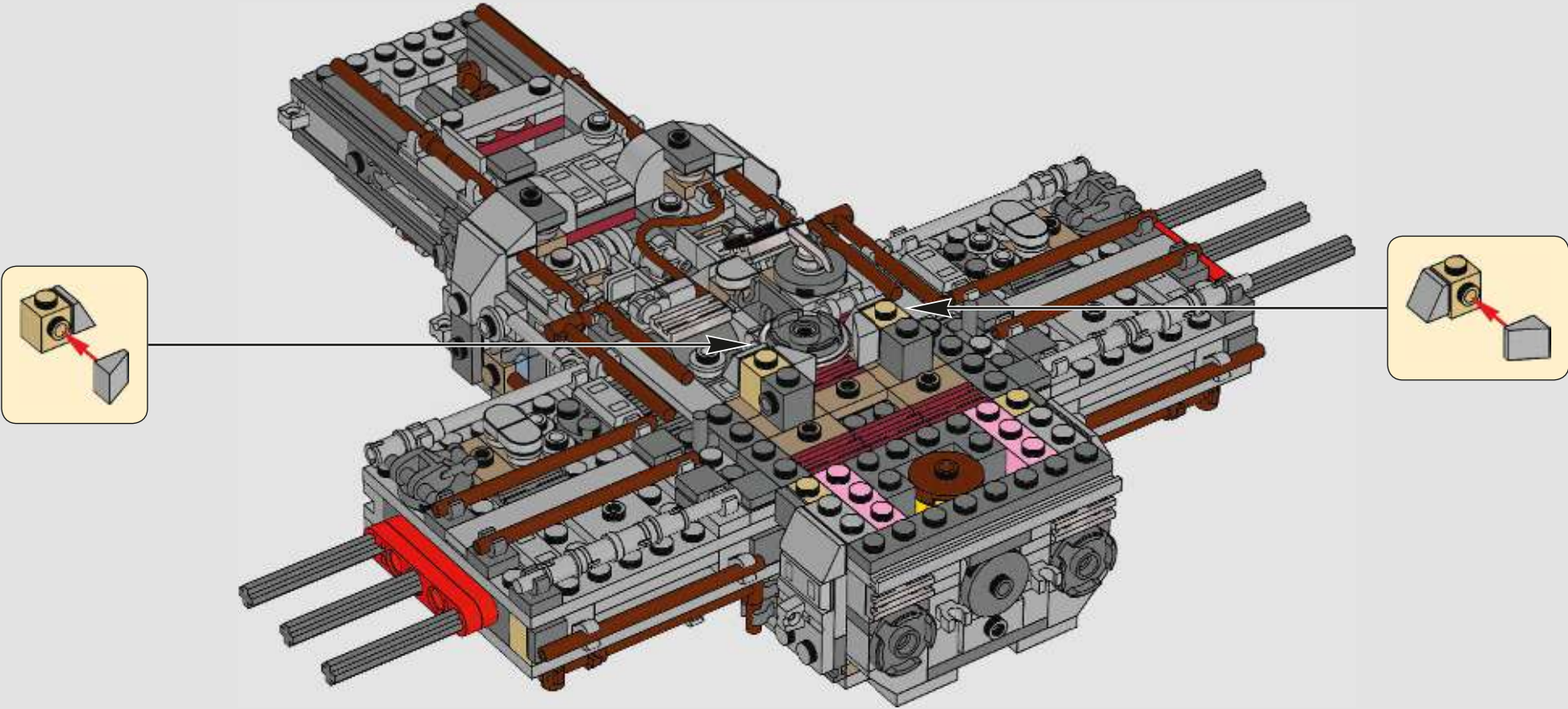


124



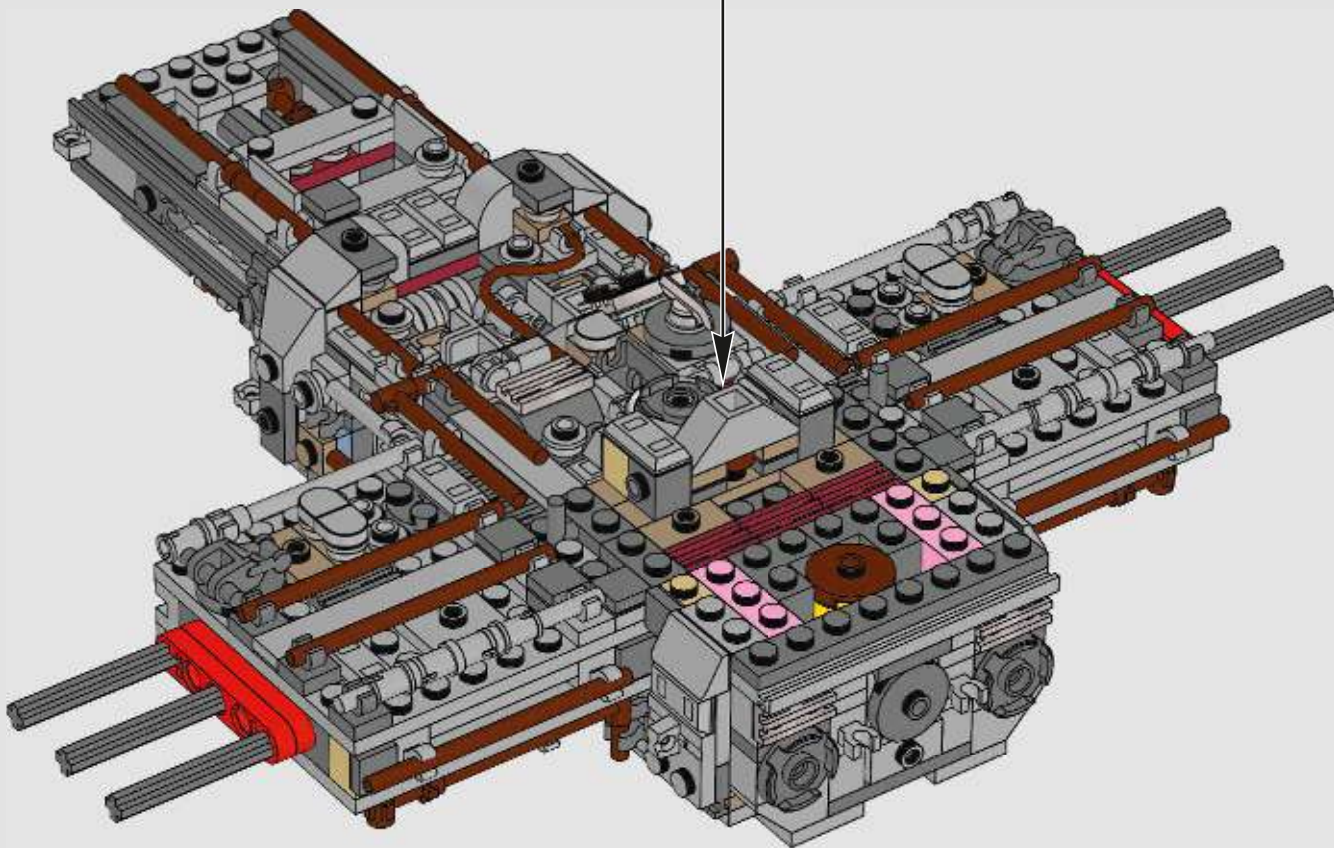
4x 2x 2x

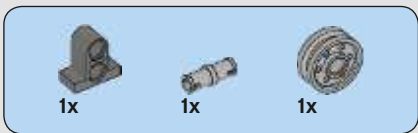
# 125



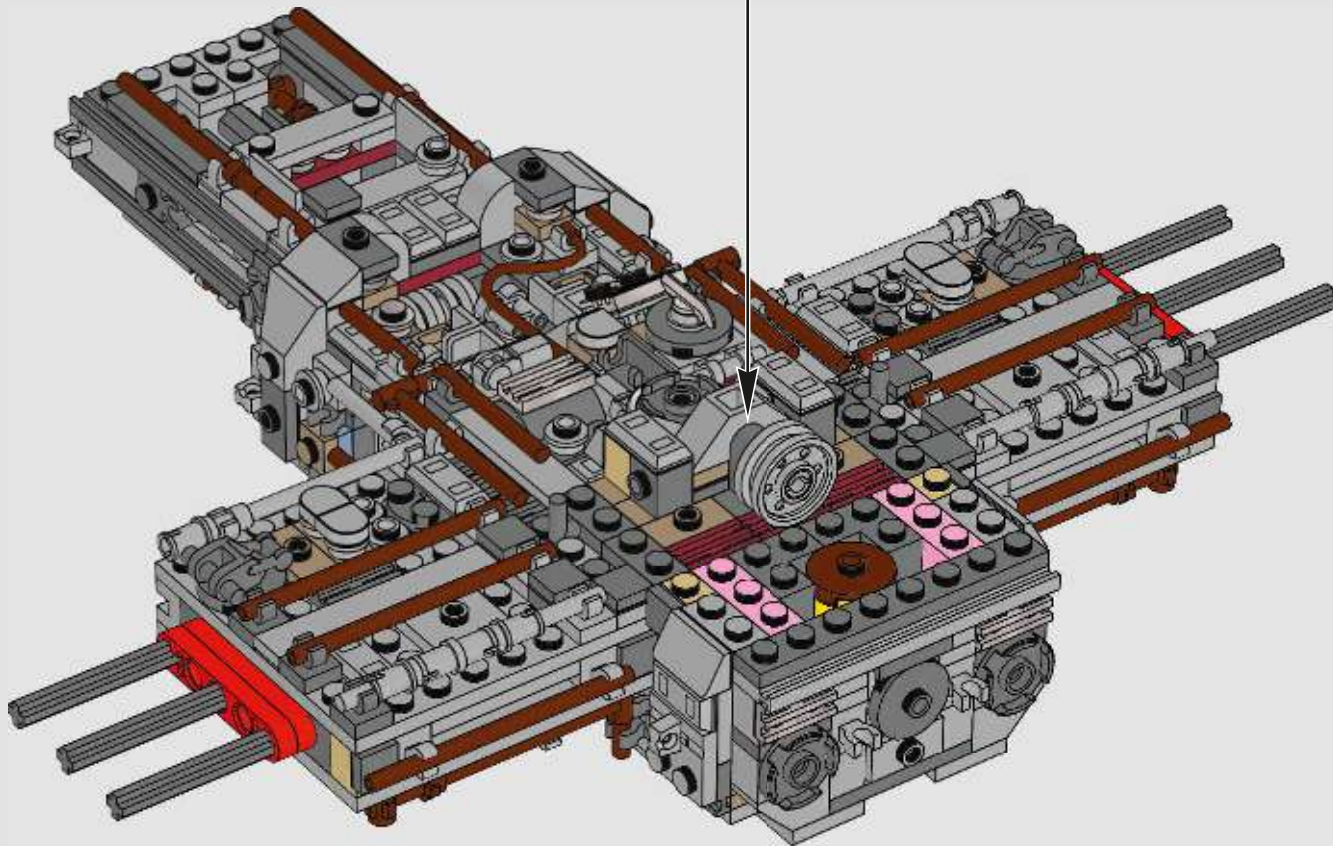
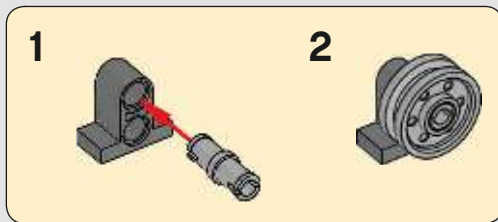


126



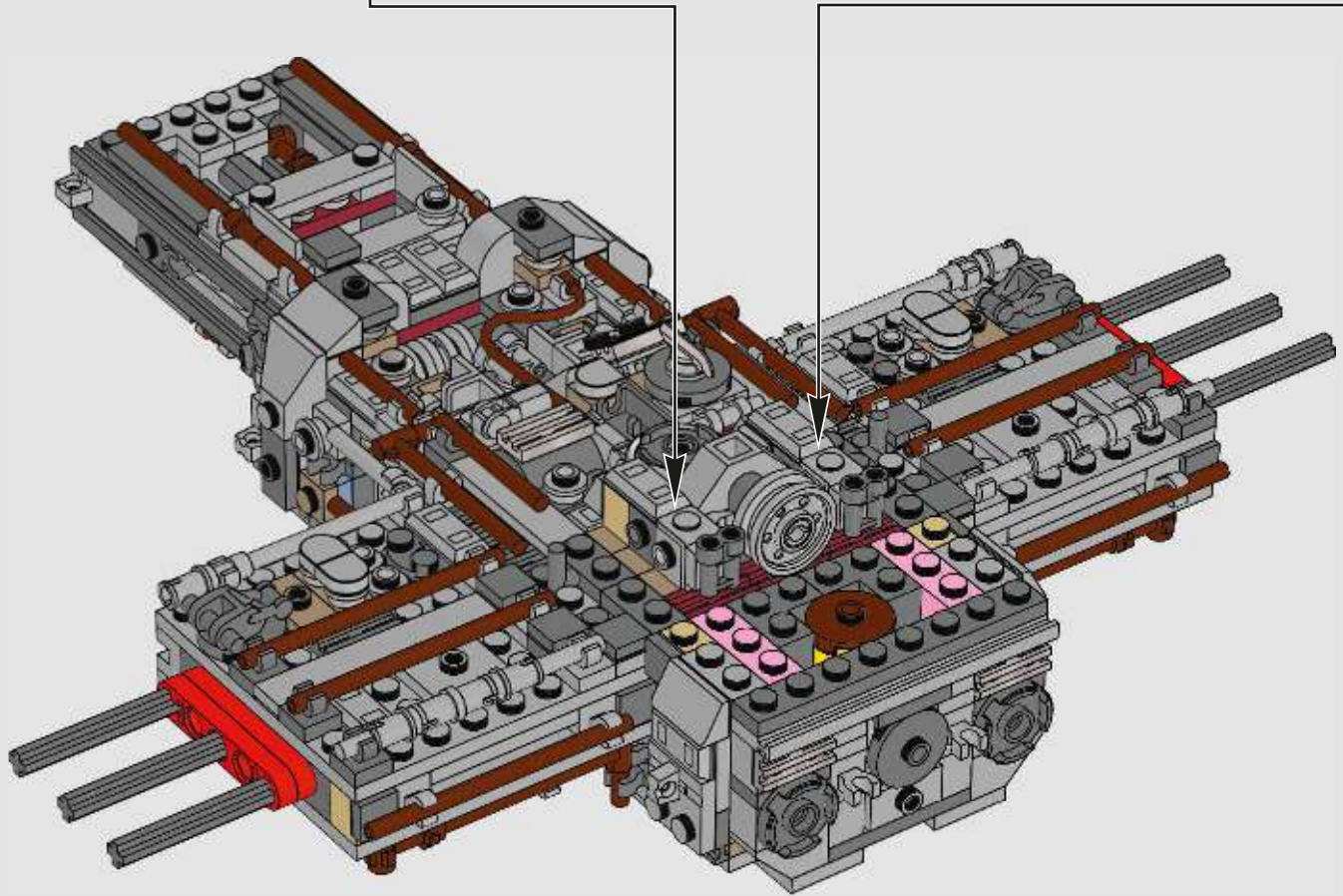
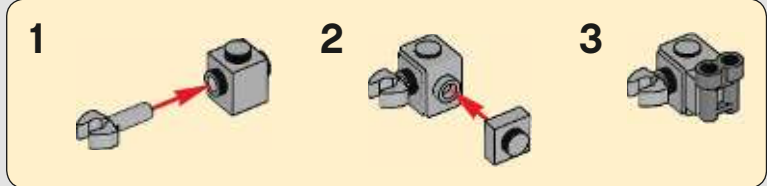
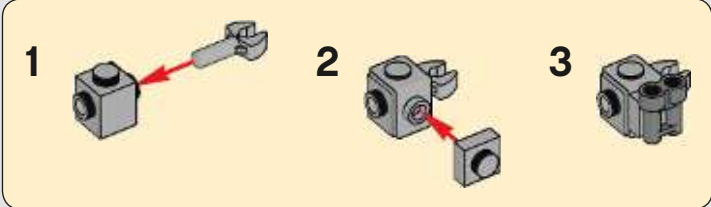


127





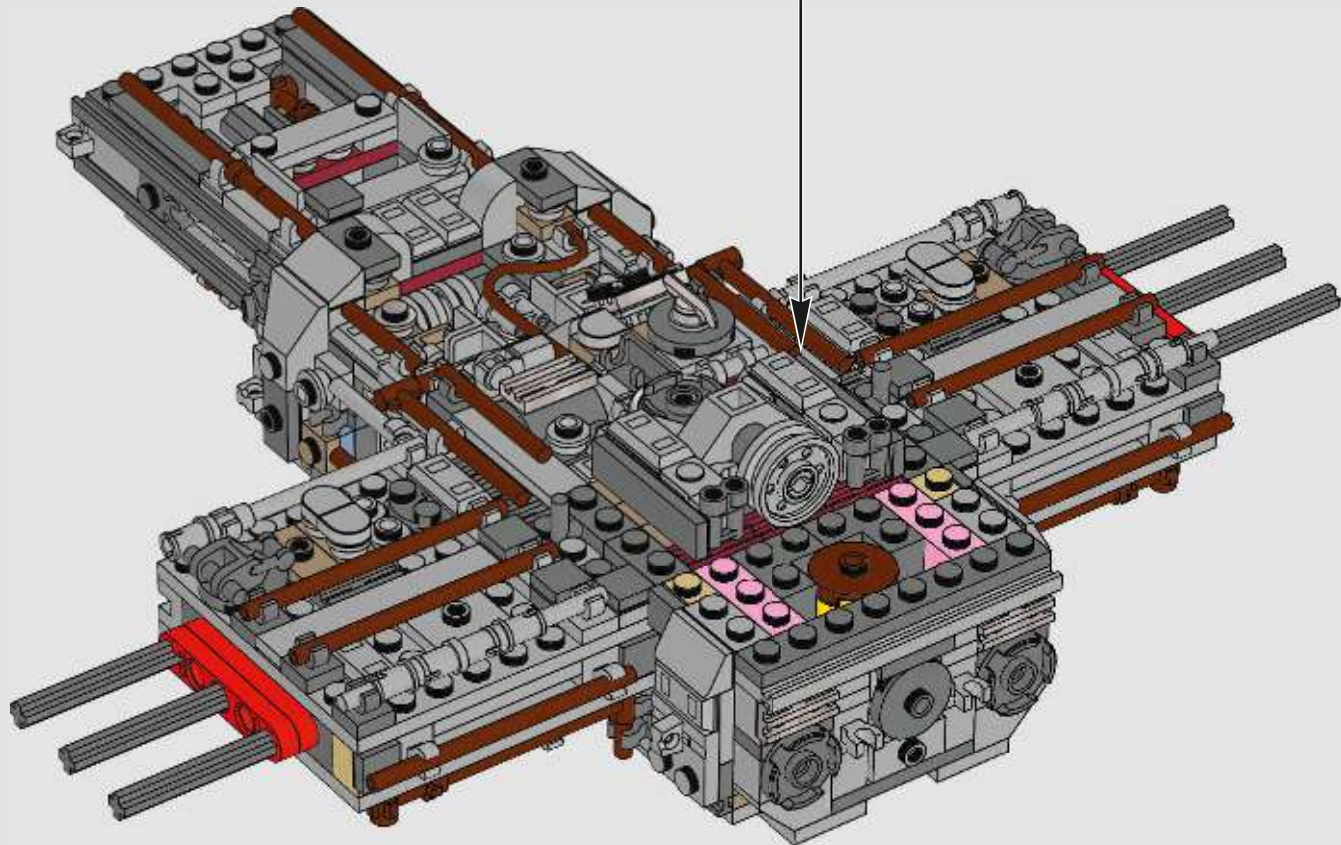
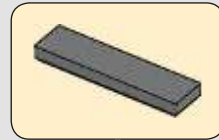
# 128







129



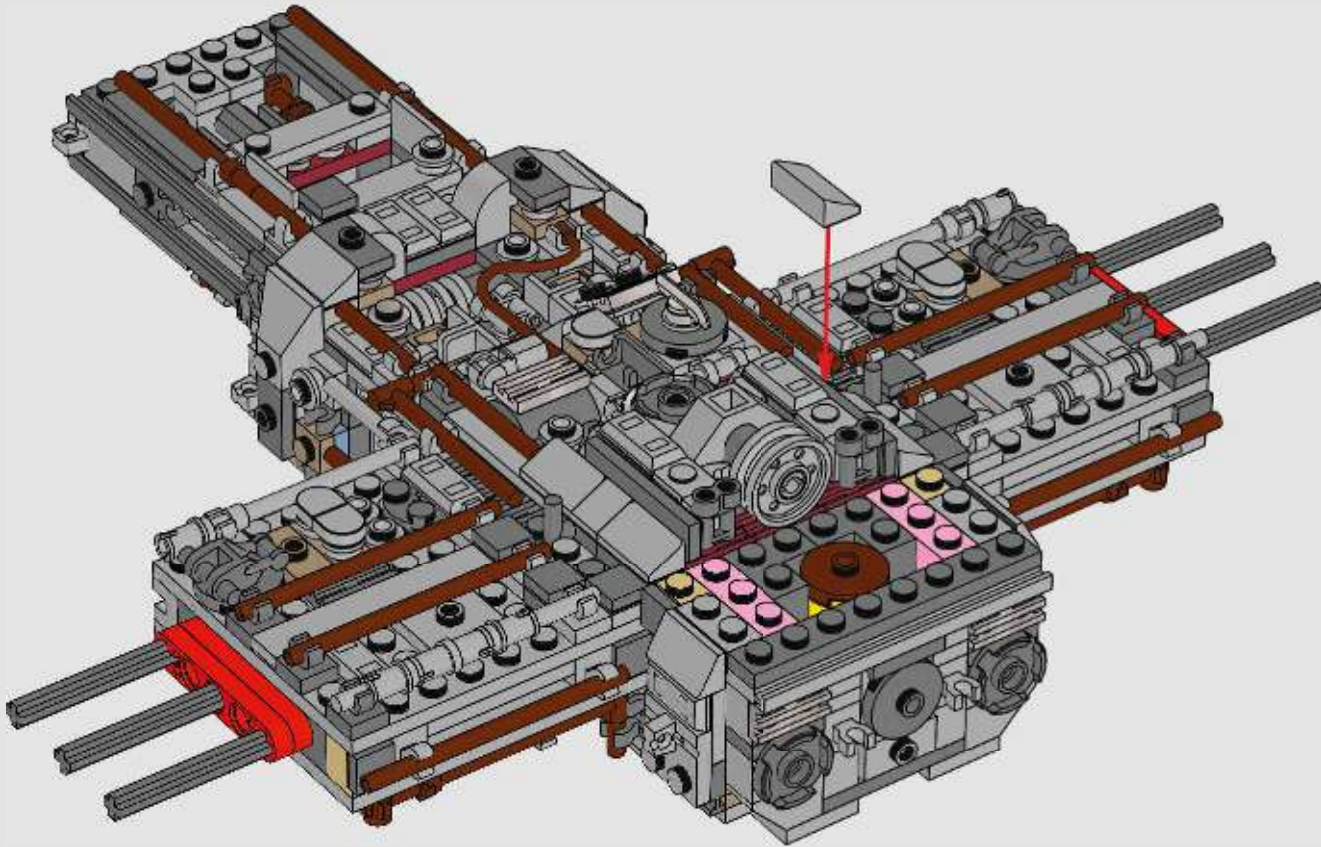


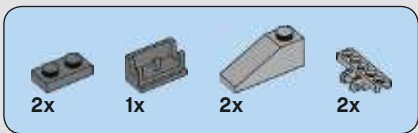
2x



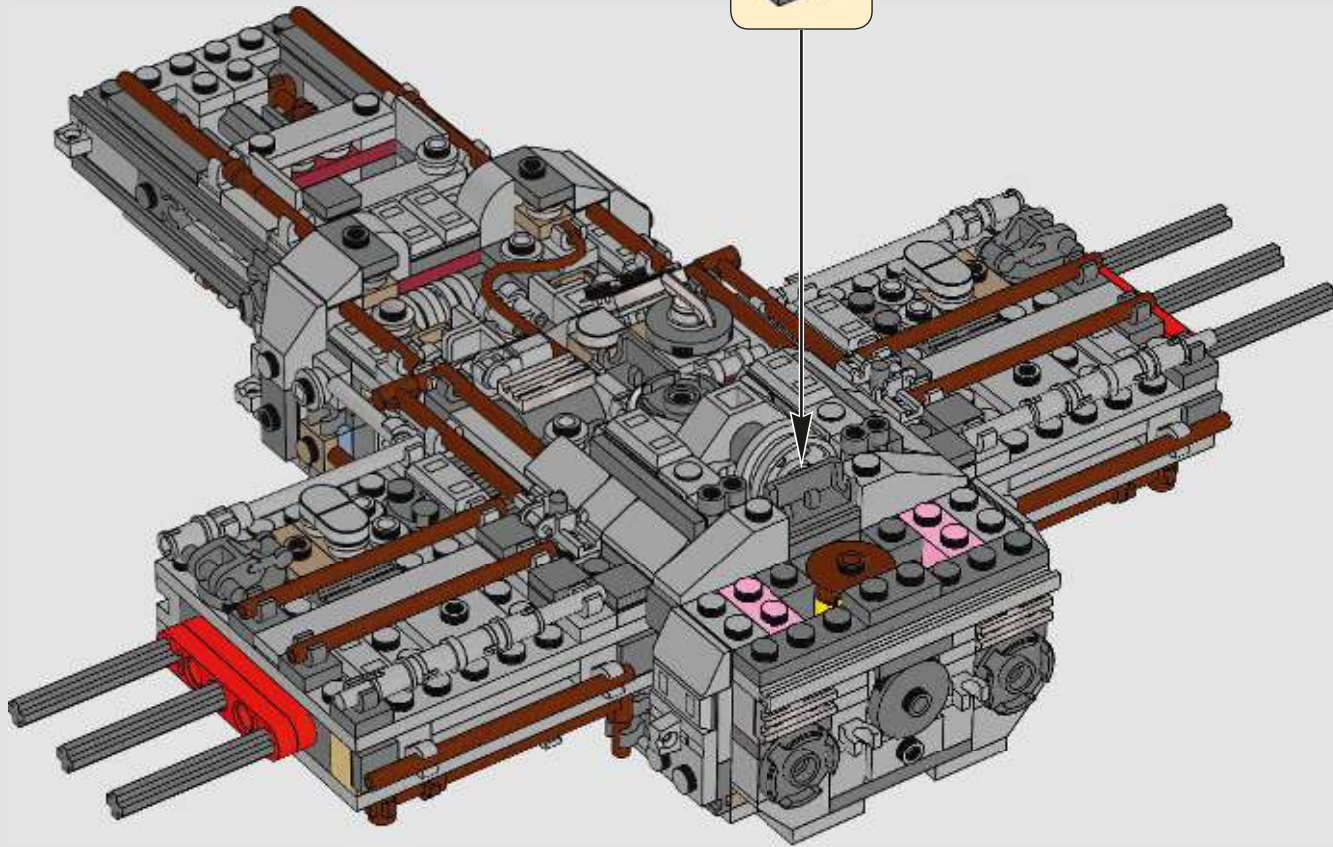
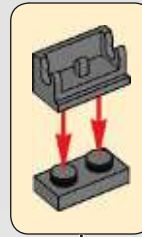
4x

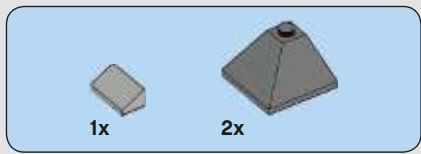
# 130



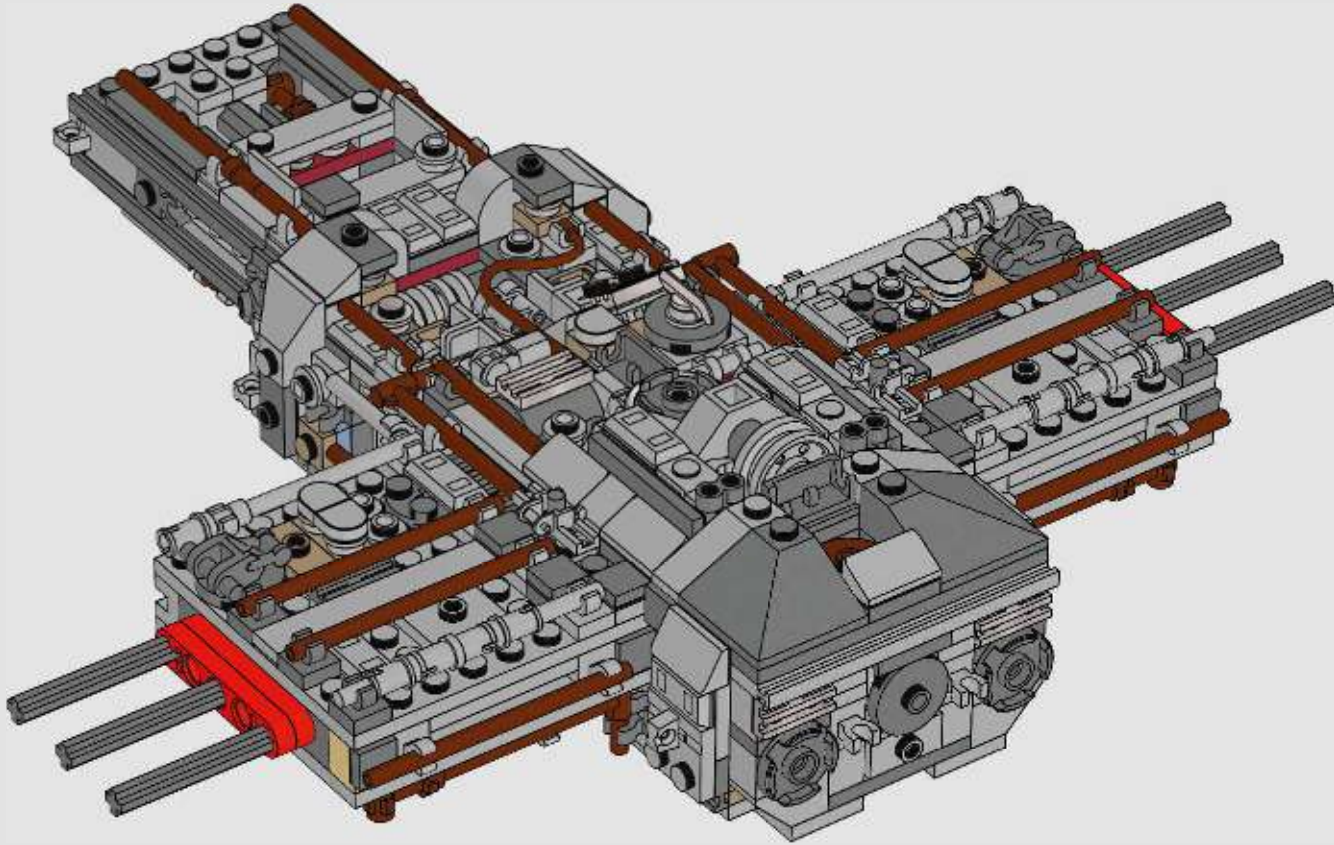


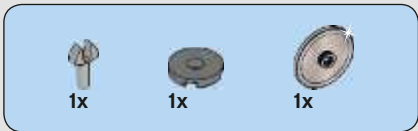
131



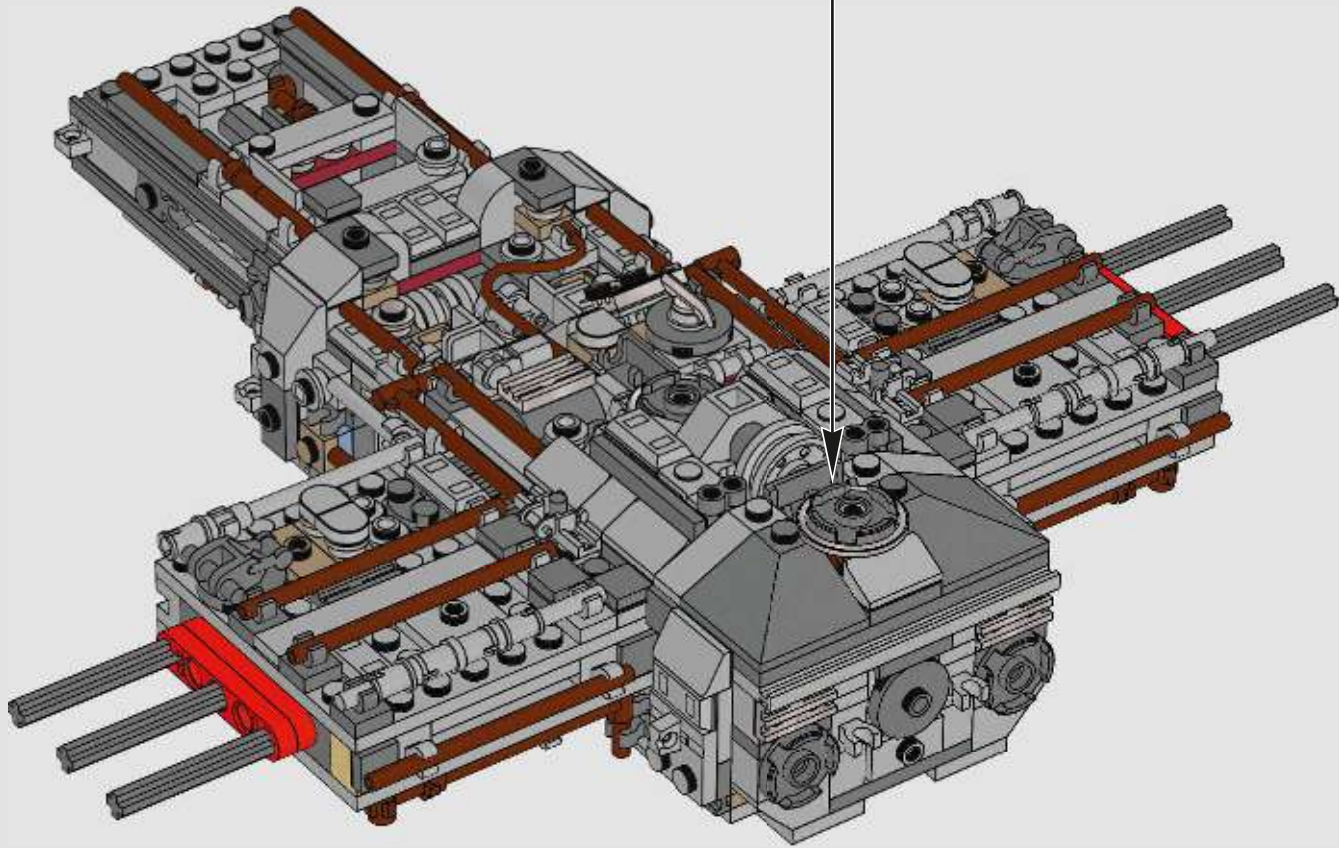
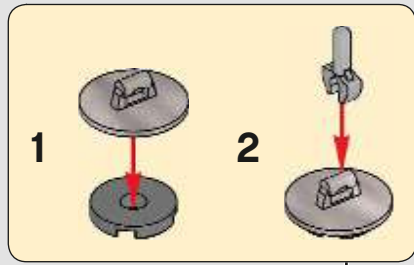


132



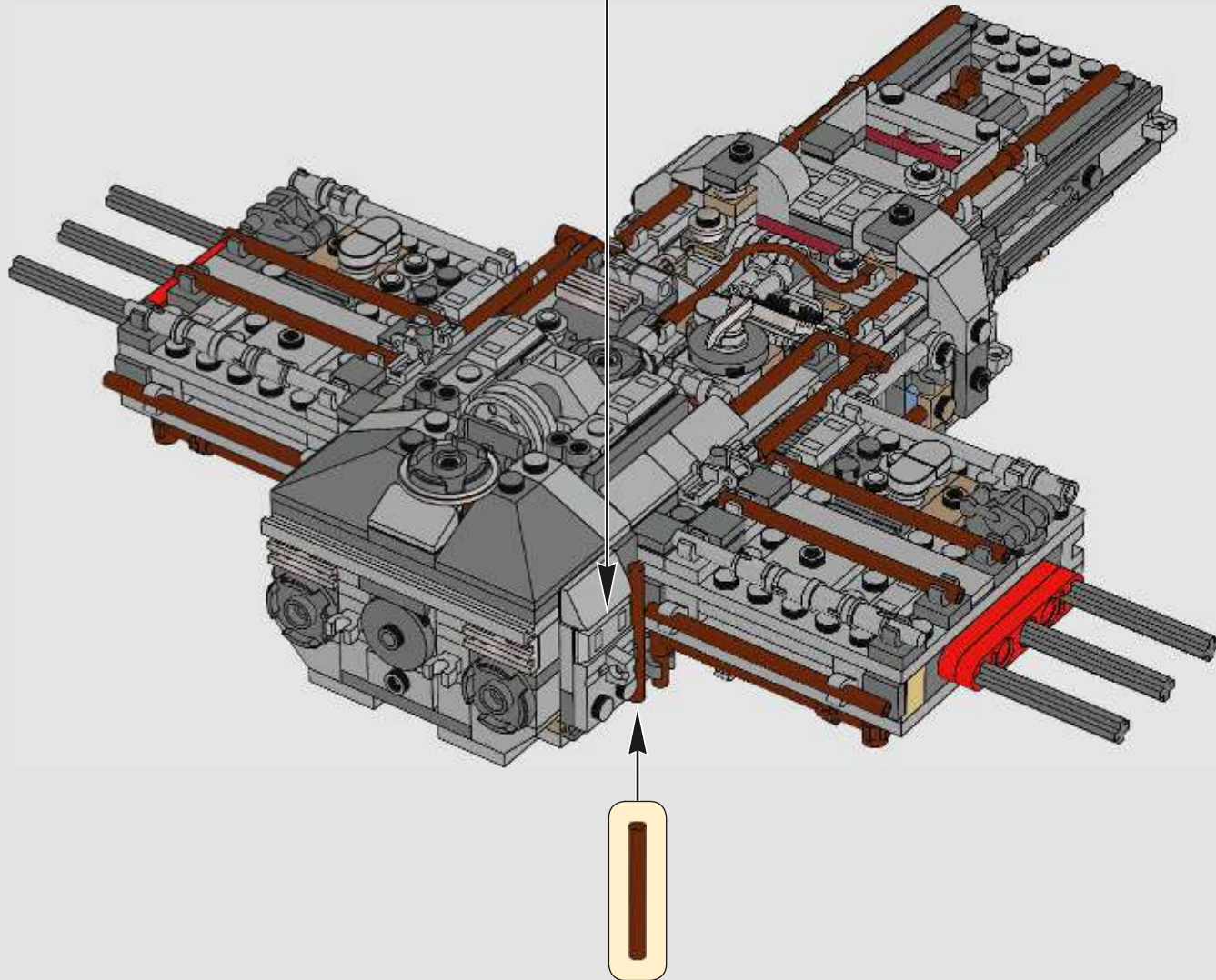
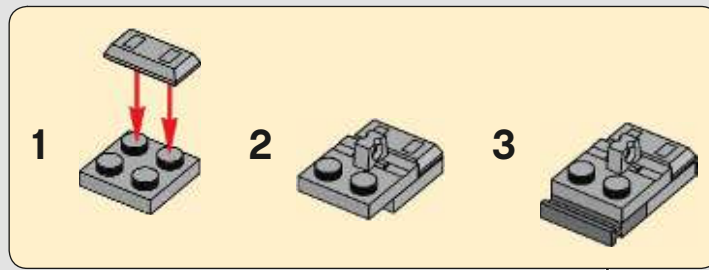


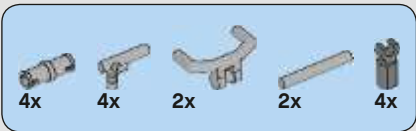
133



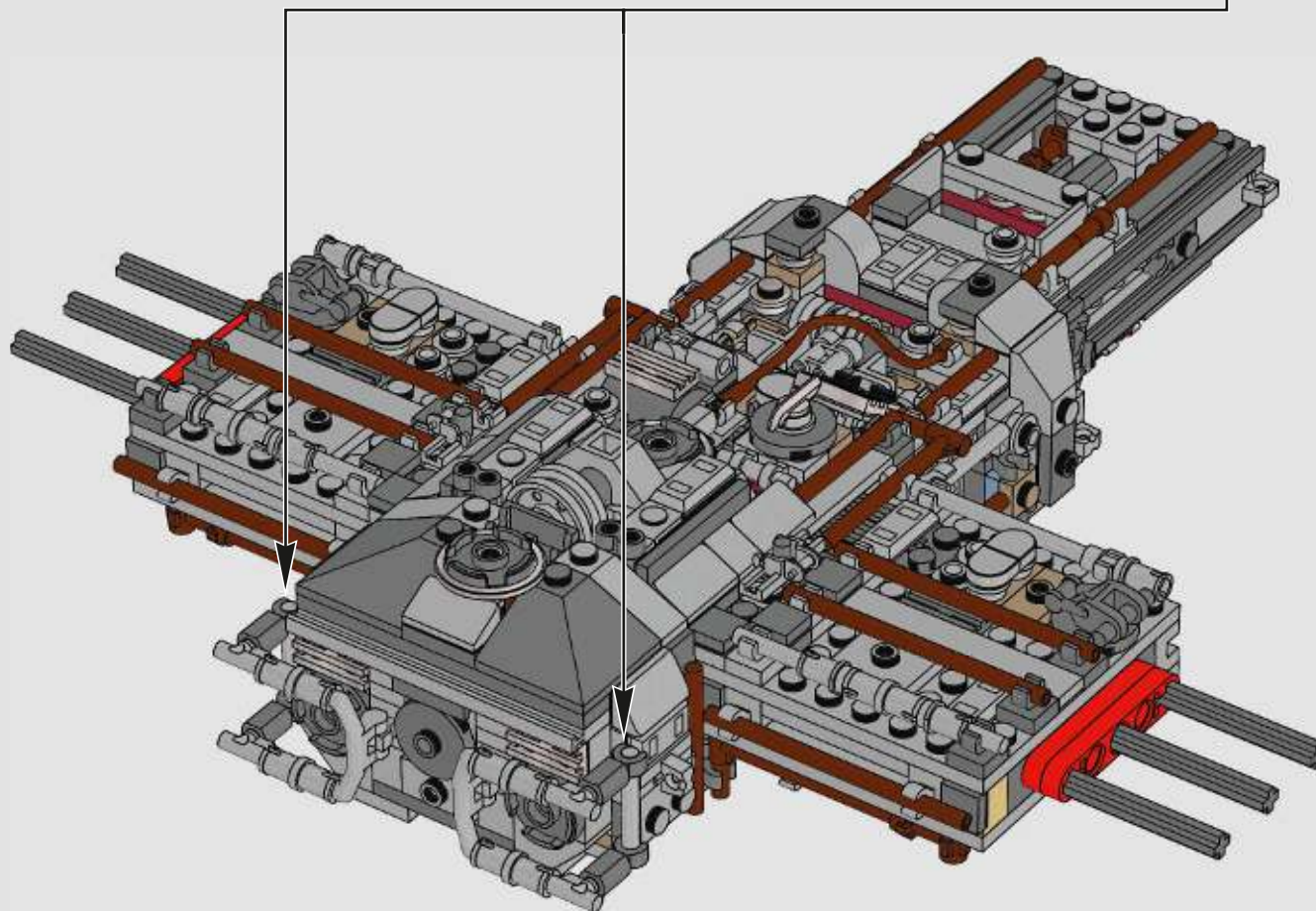
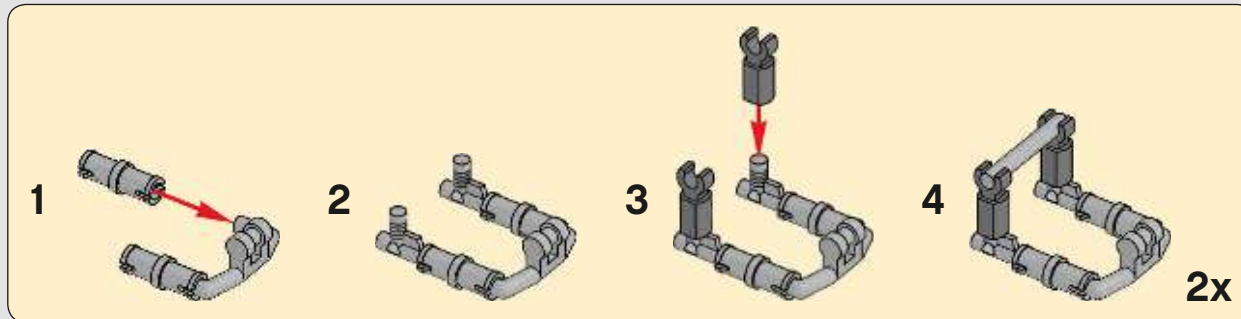


134



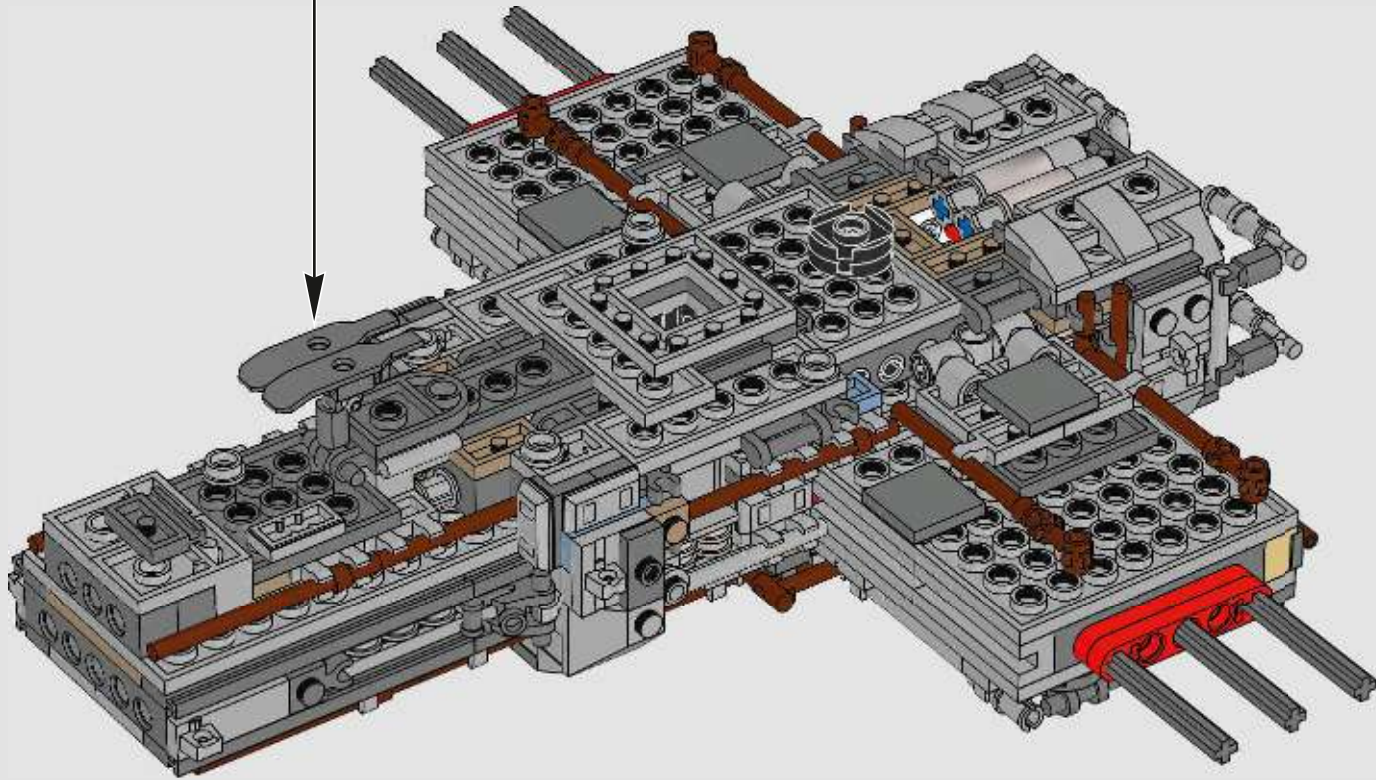
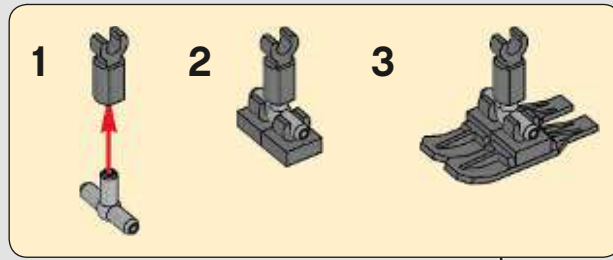


135

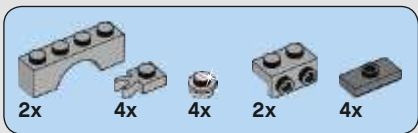




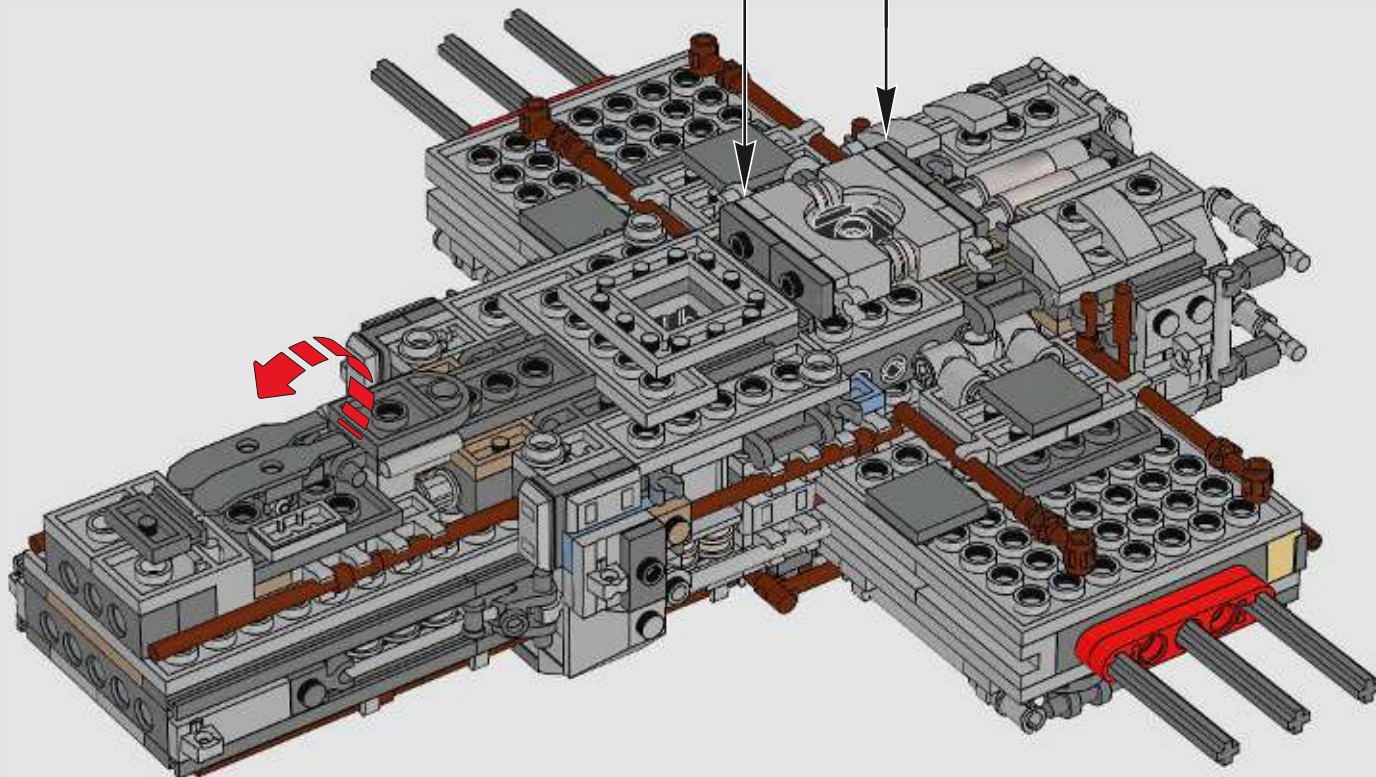
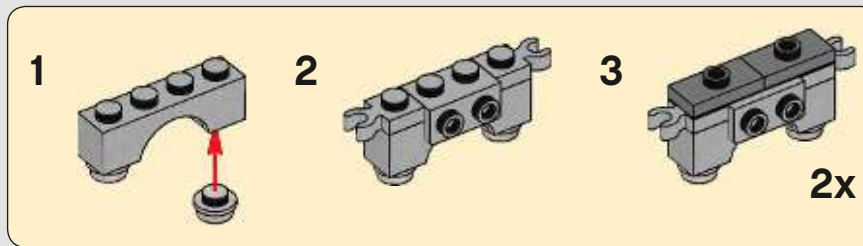
136





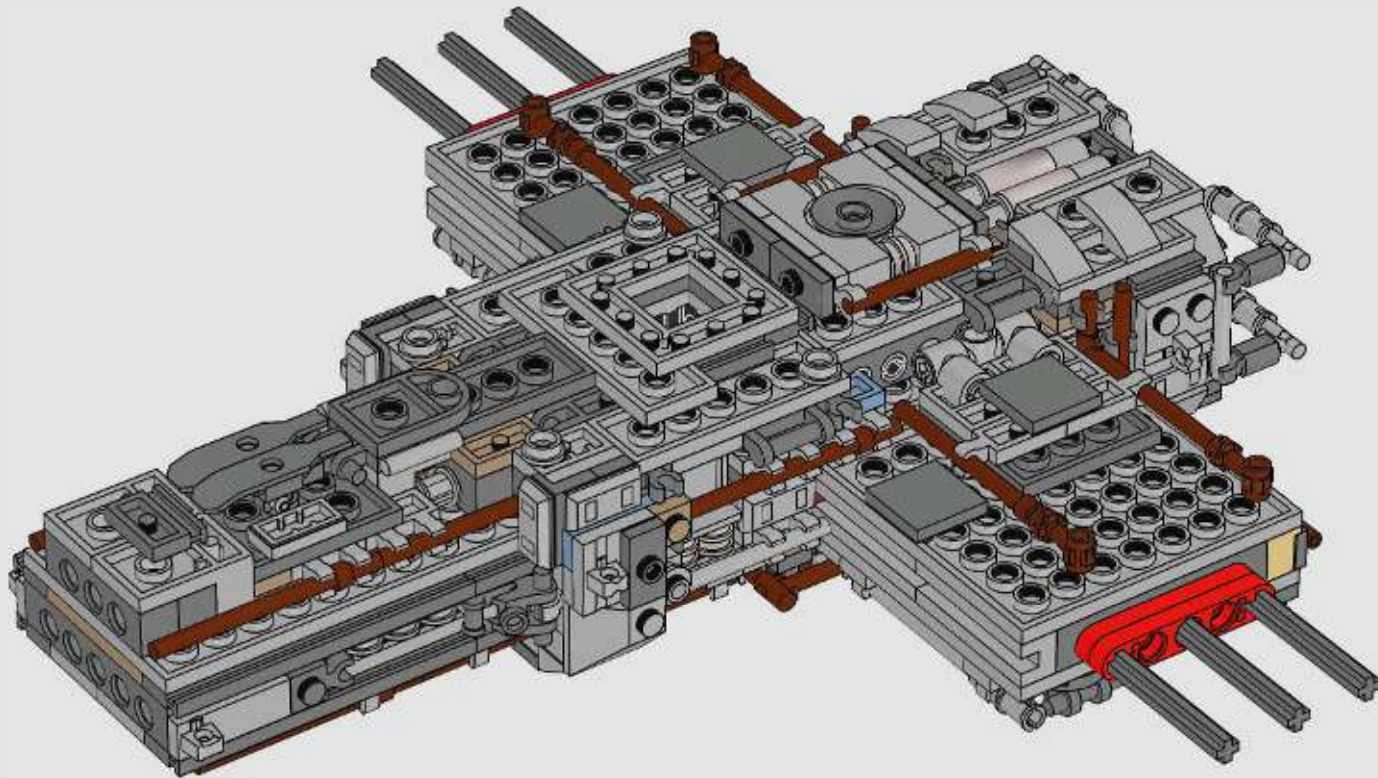


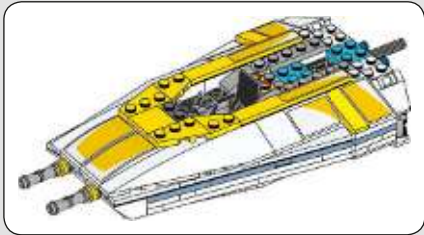
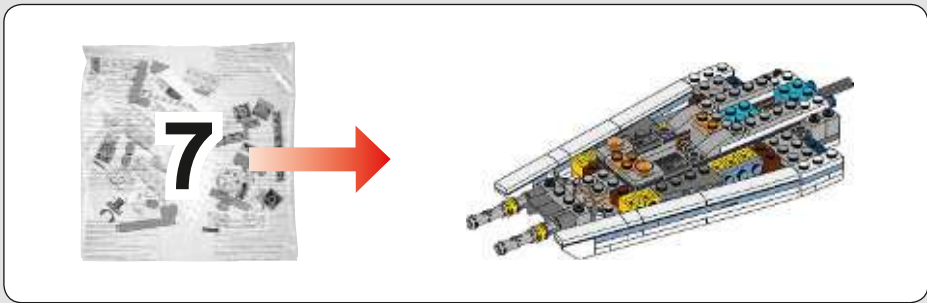
137



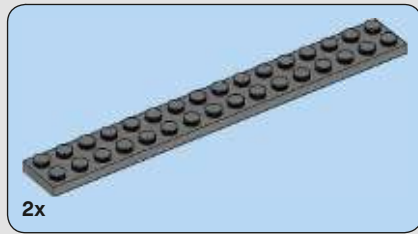
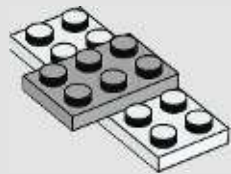


138

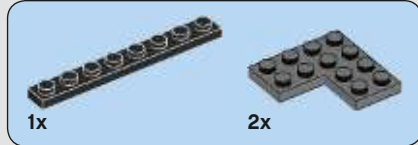
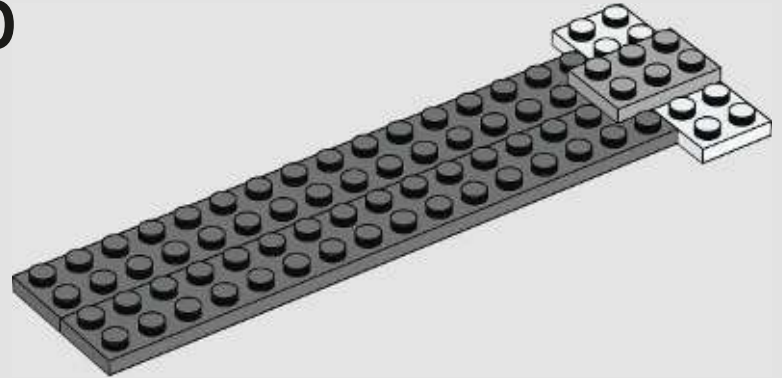




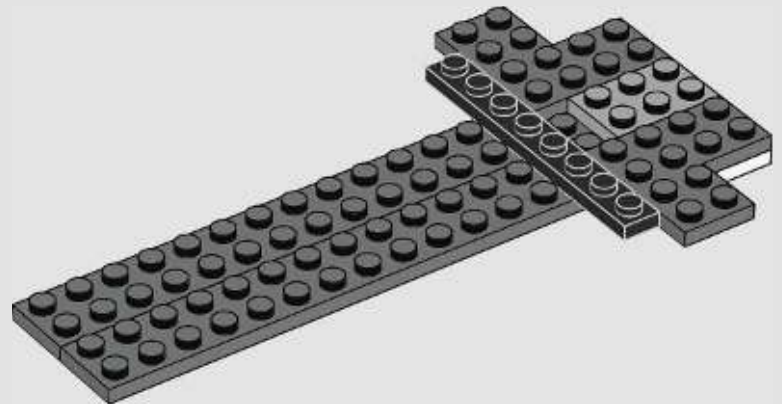
139



140

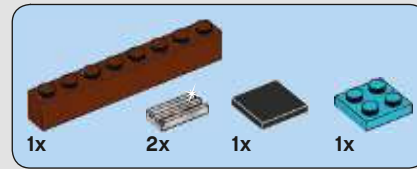
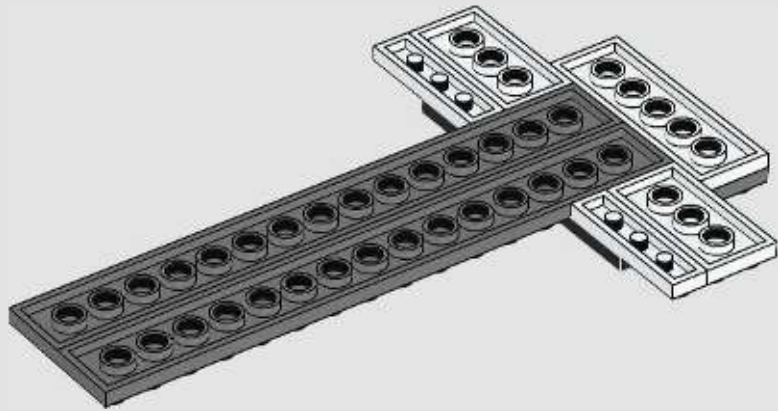


141

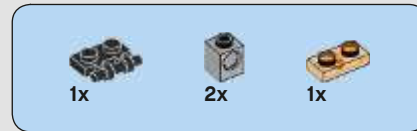
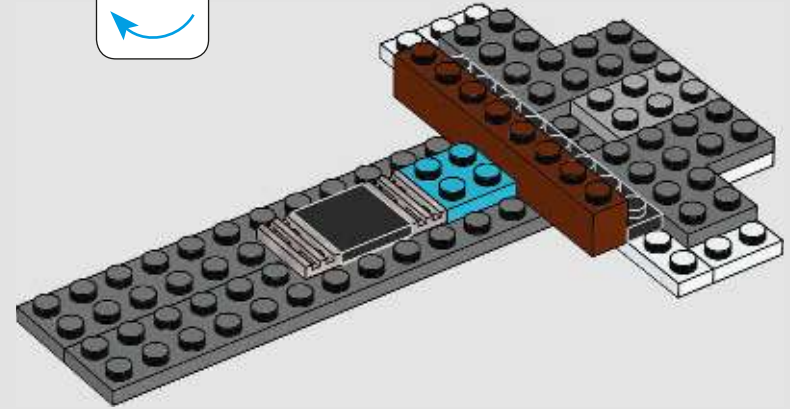
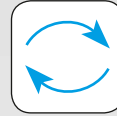




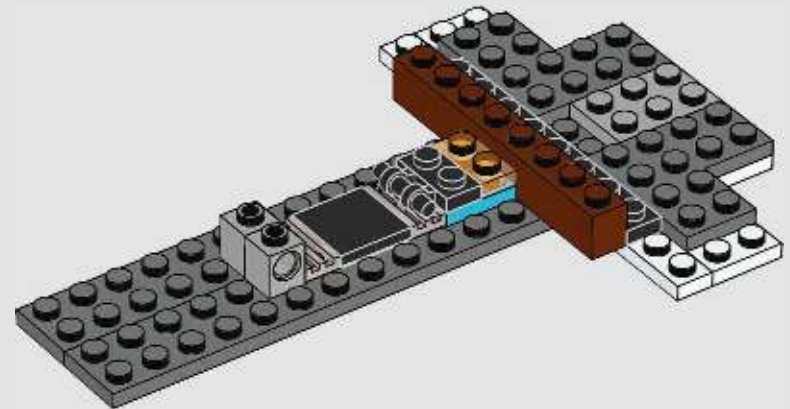
142



143



144



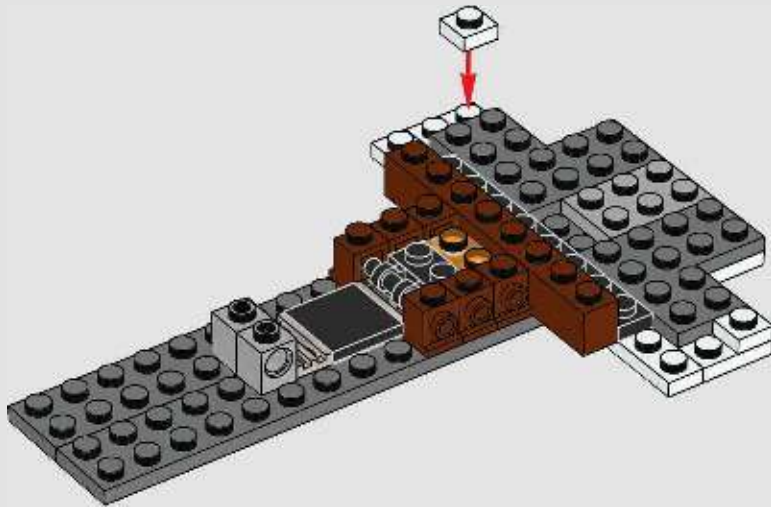


2x



6x

# 145



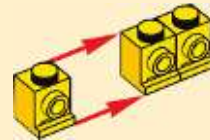
6x



4x

# 146

1



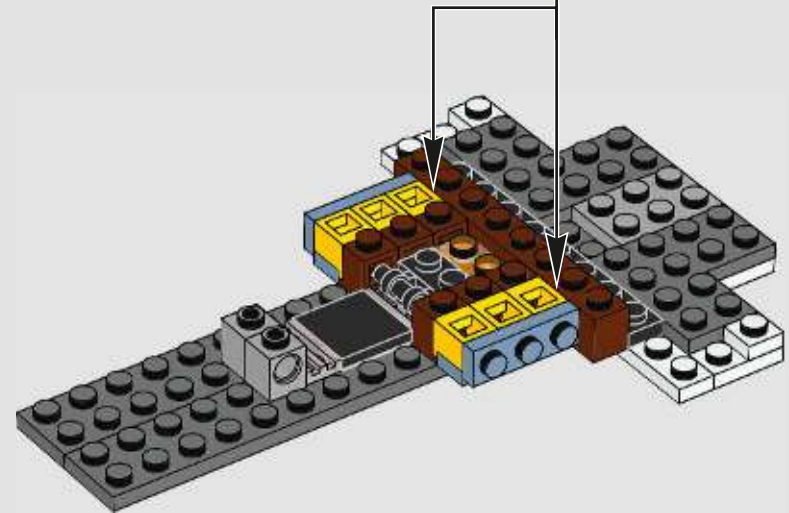
2

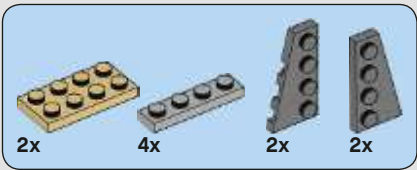


3

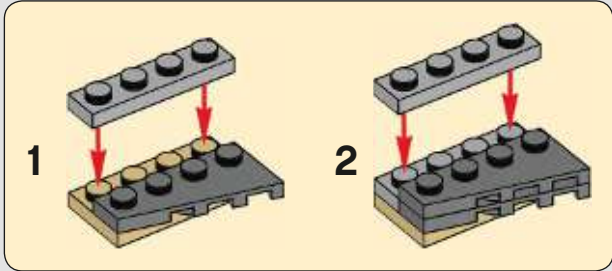
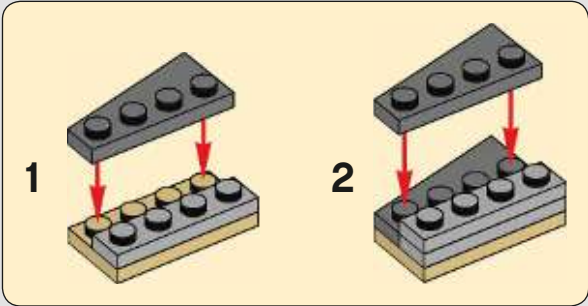


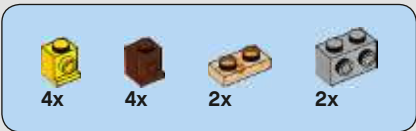
2x



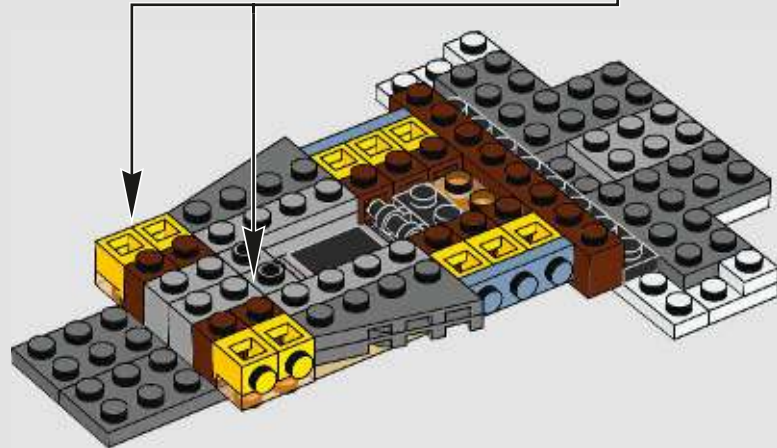


# 147

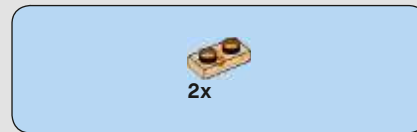
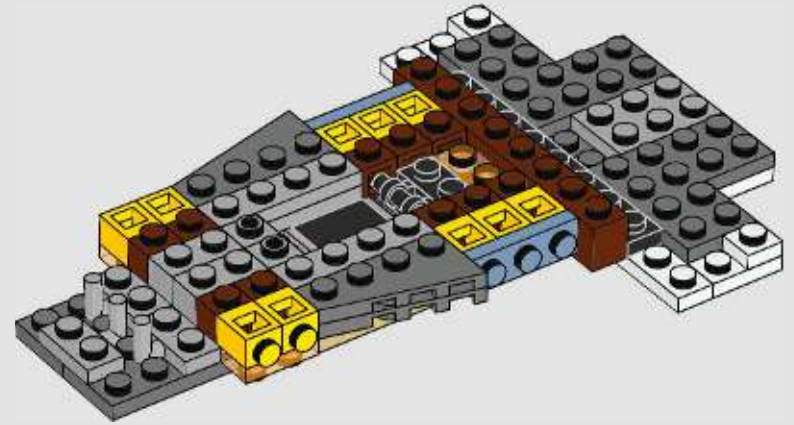




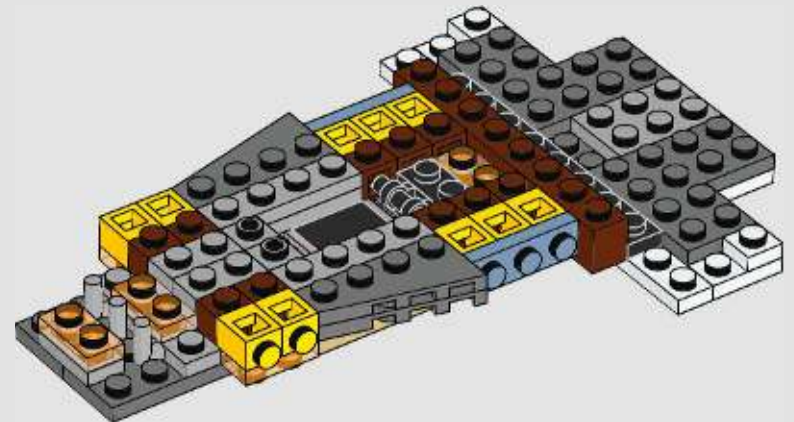
148

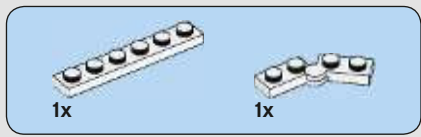


149

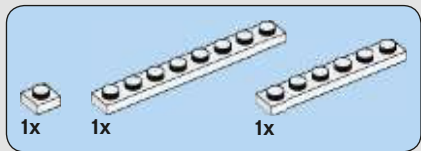
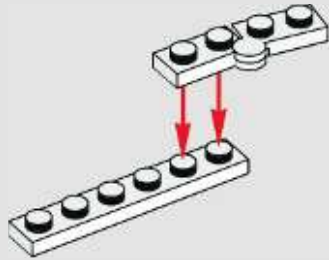


150

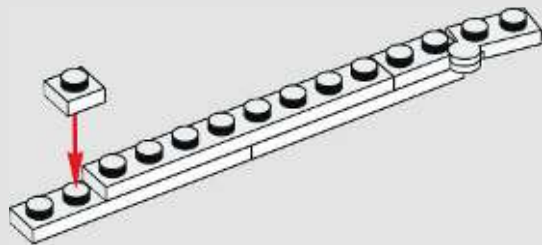




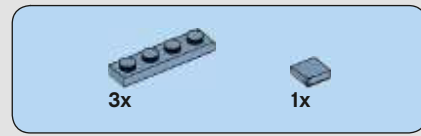
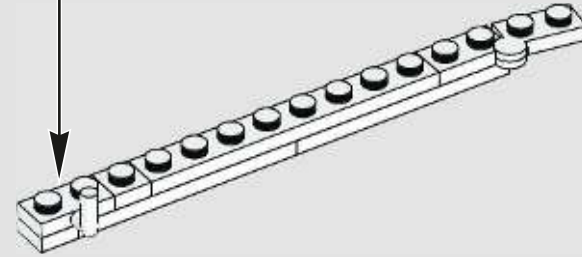
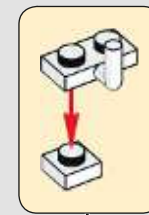
151



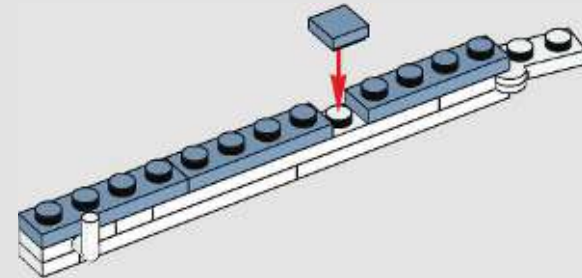
152



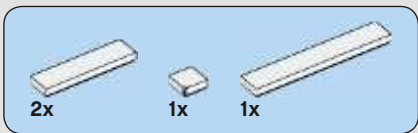
153



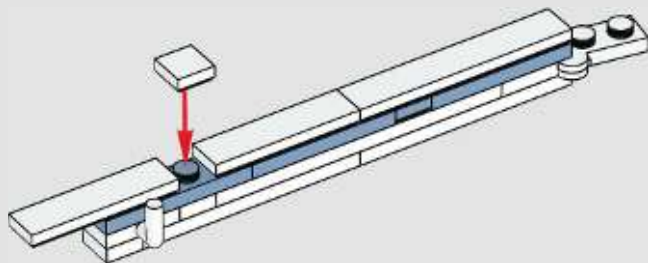
154



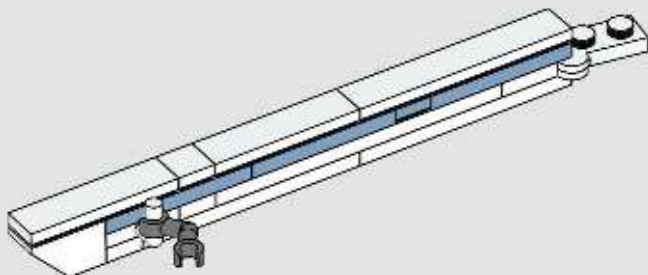




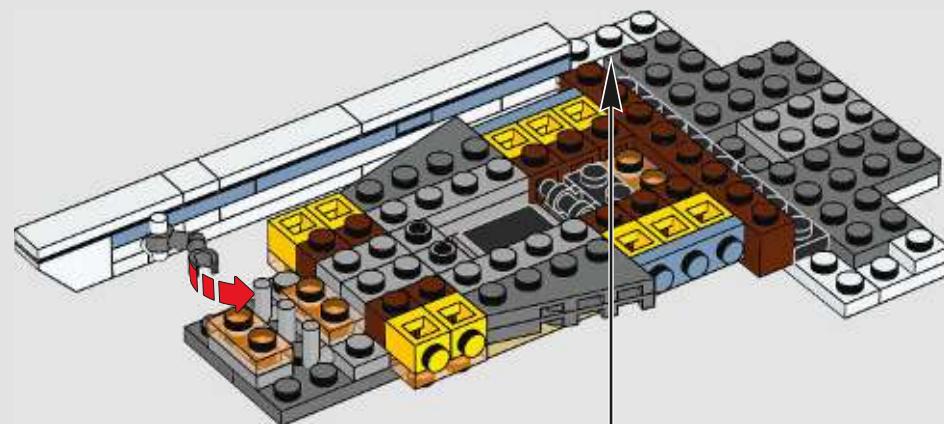
155

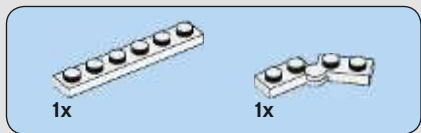


156

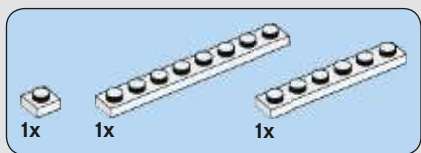
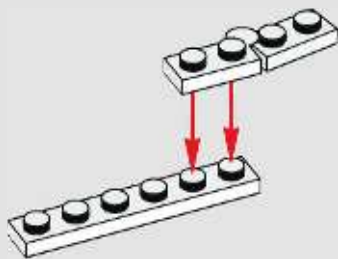


157

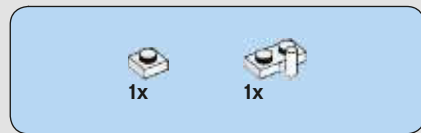
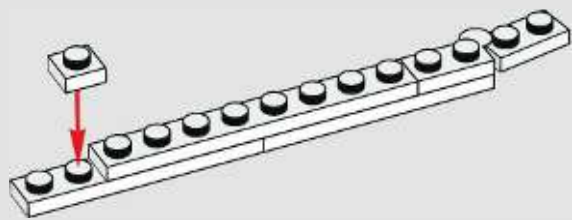




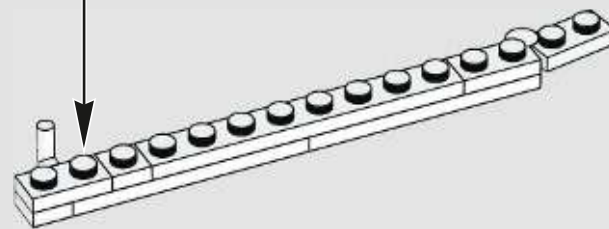
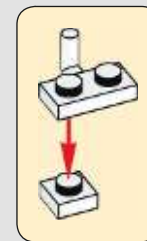
158



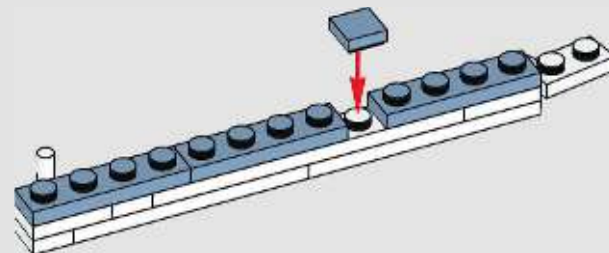
159

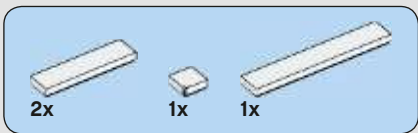


160

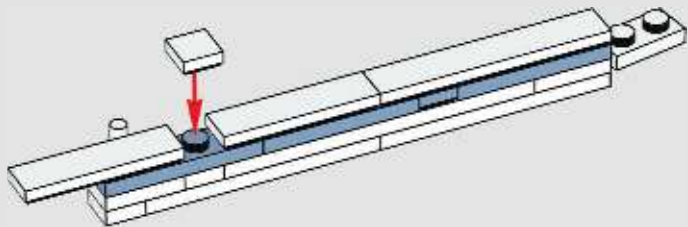


161

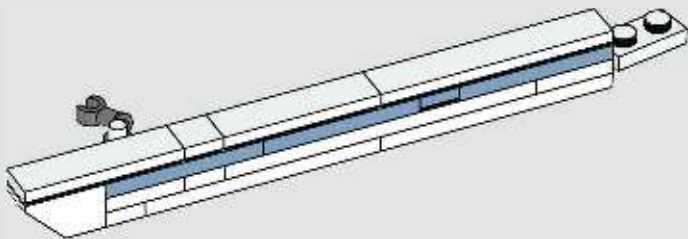




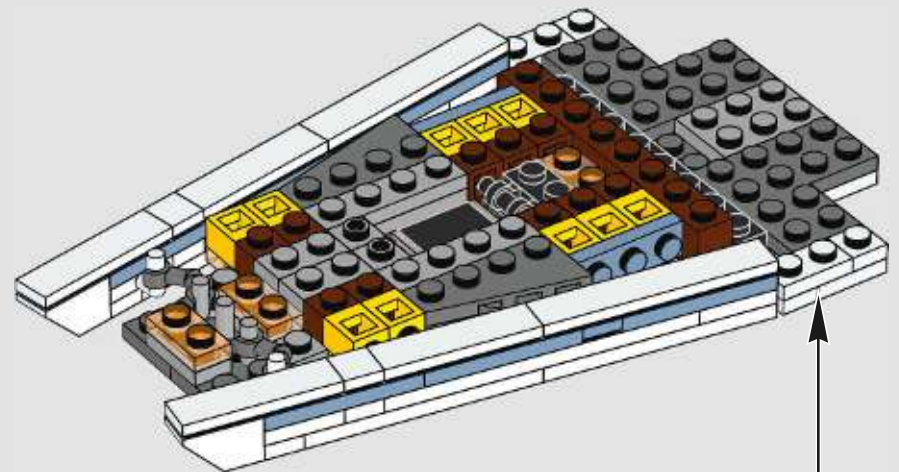
162



163

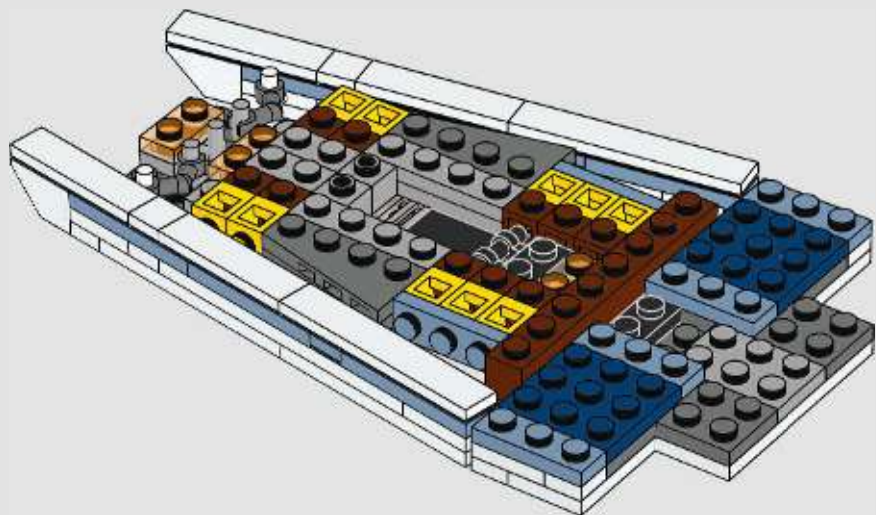


164

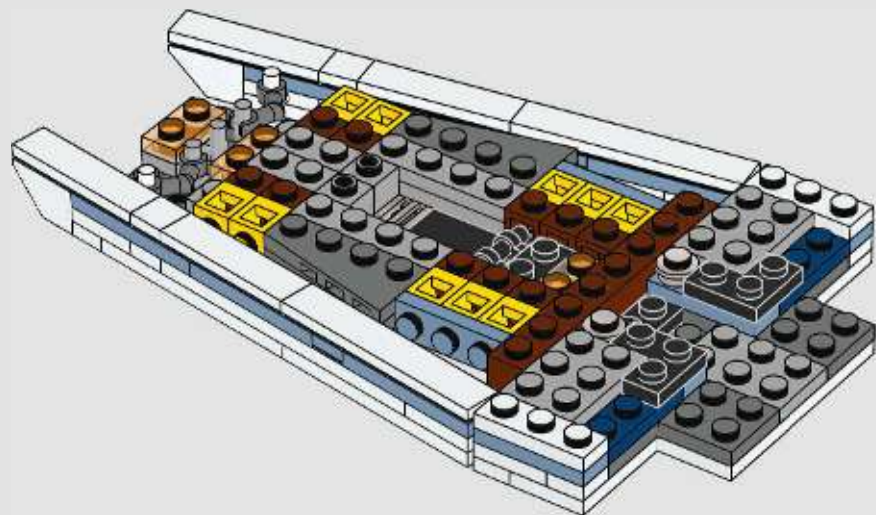


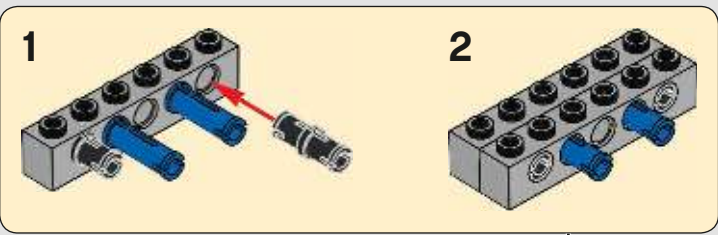
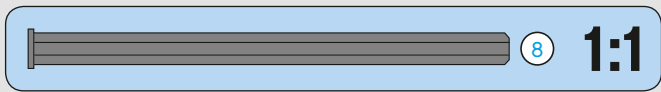
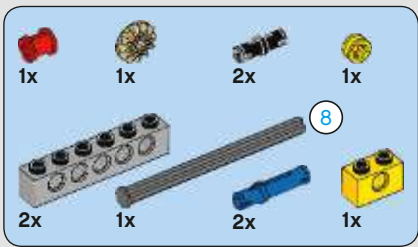


165

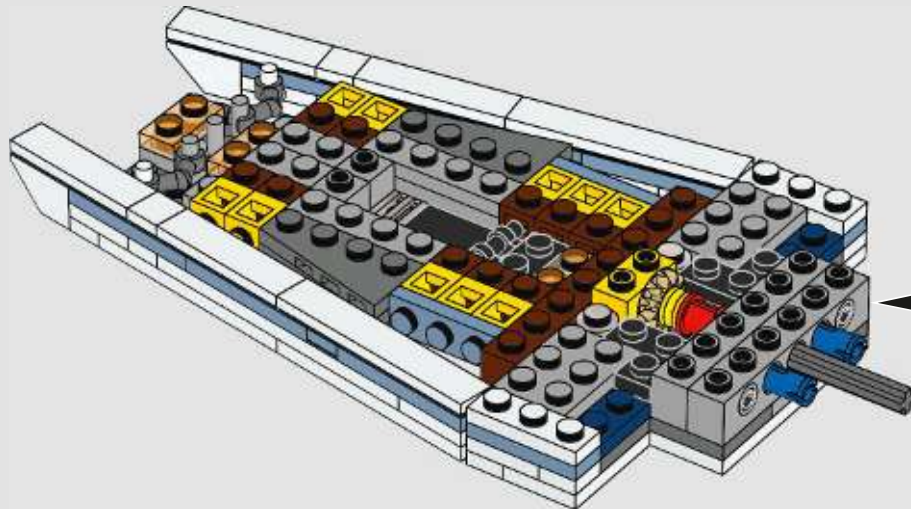
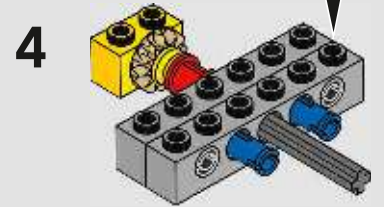
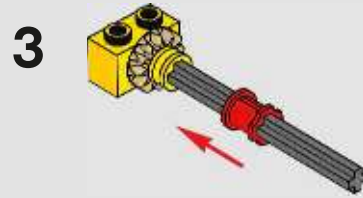
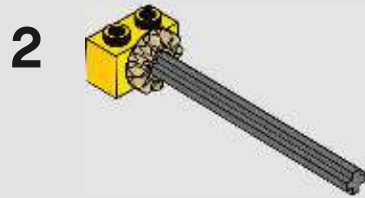
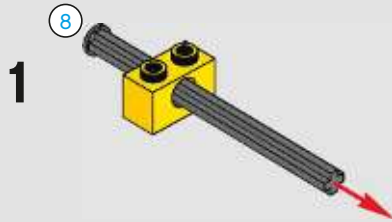


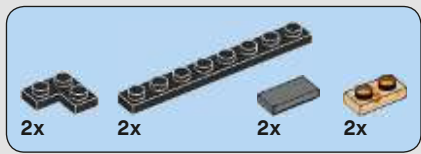
166



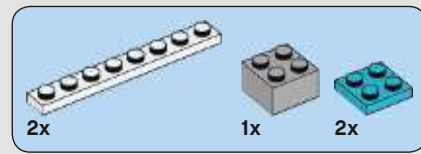
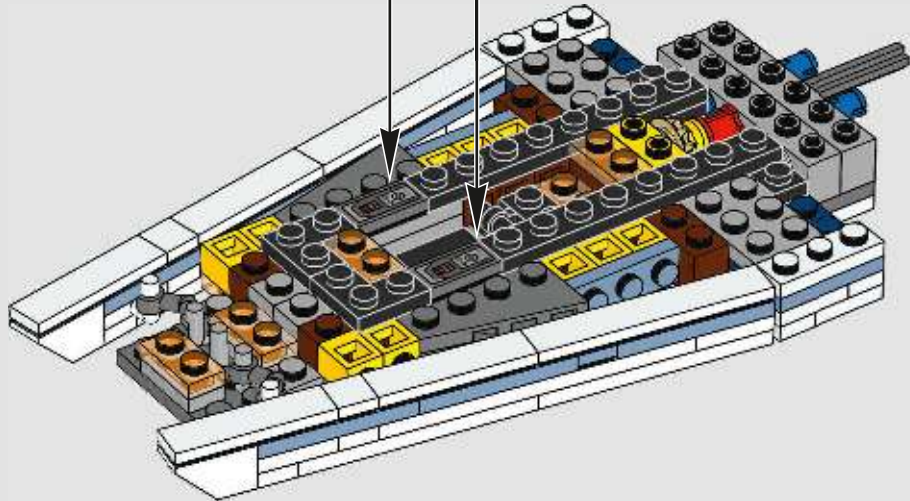
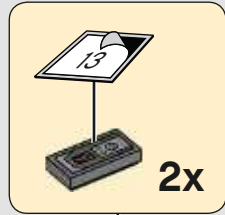


# 167

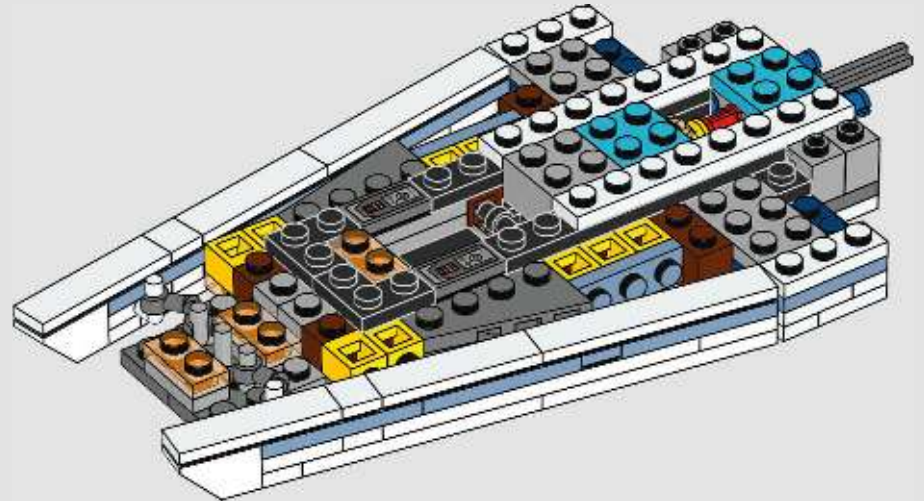


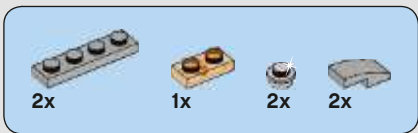


168

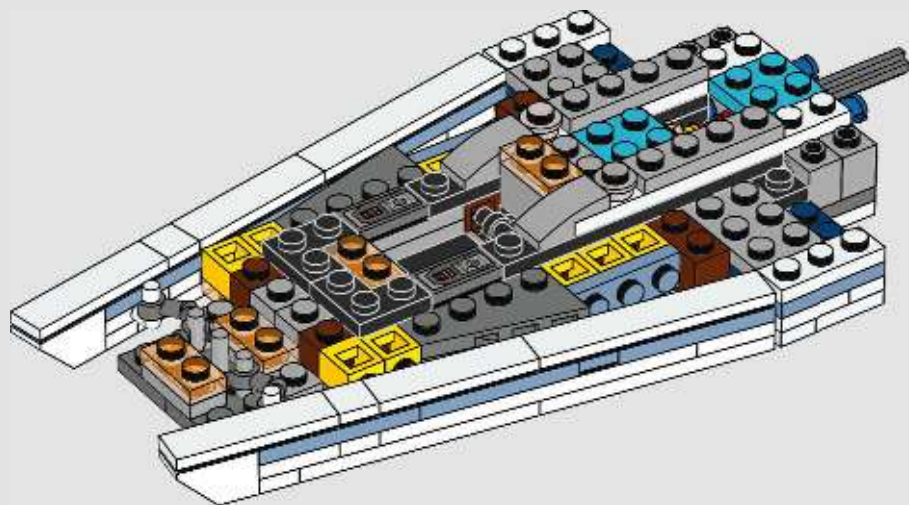


169

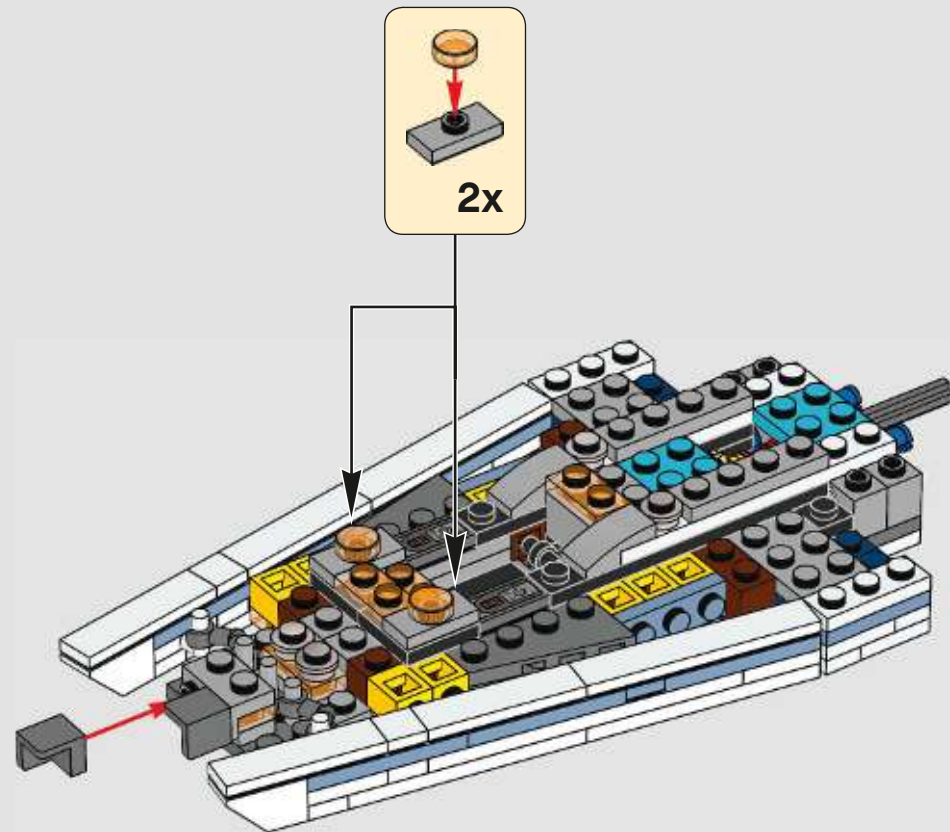




170

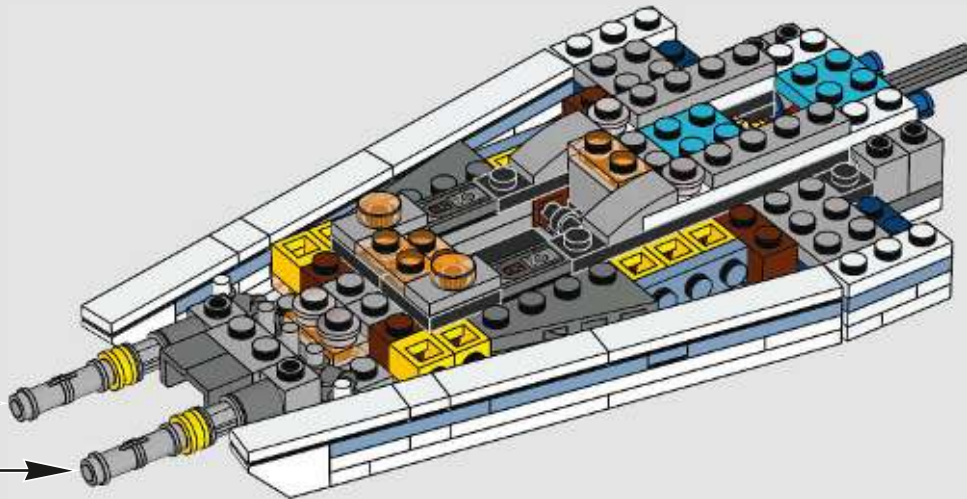
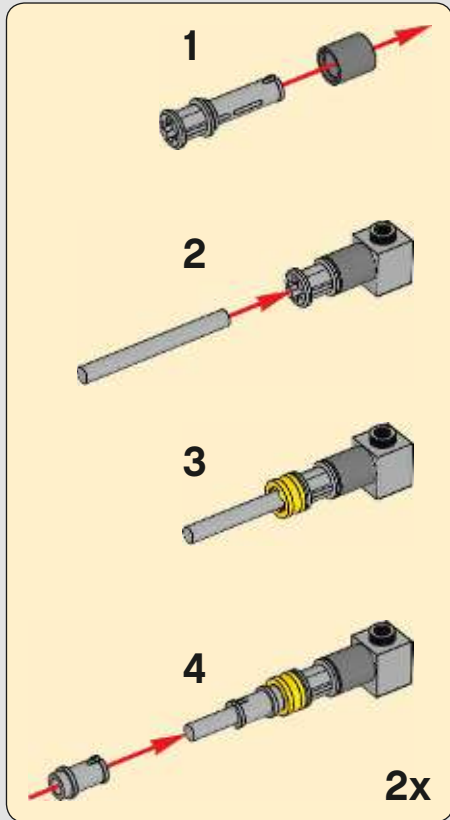


171





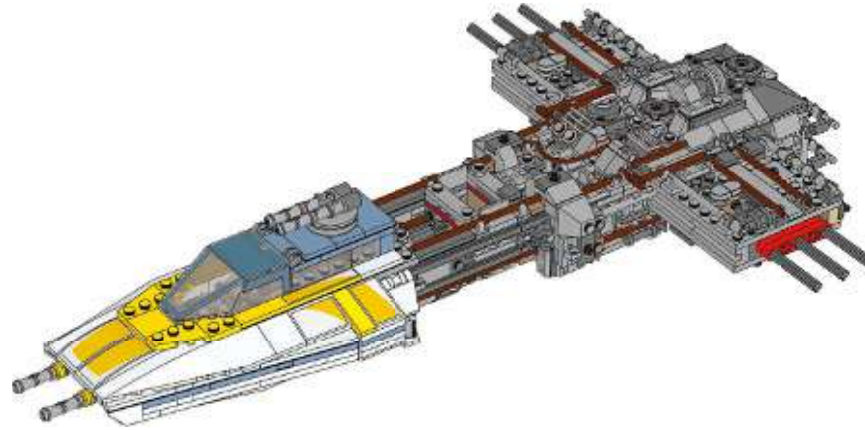
172







8

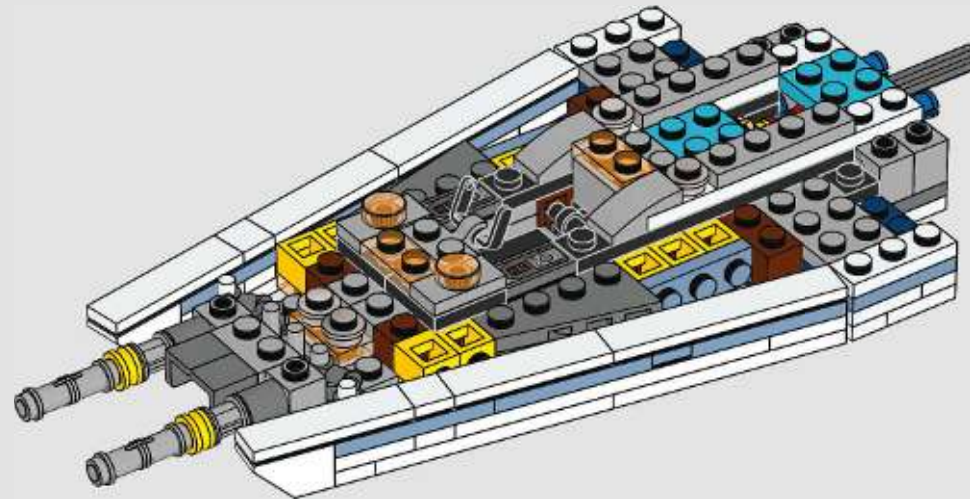


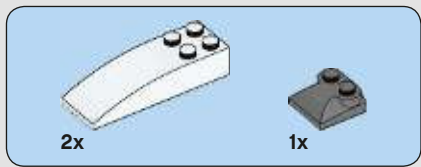
1x



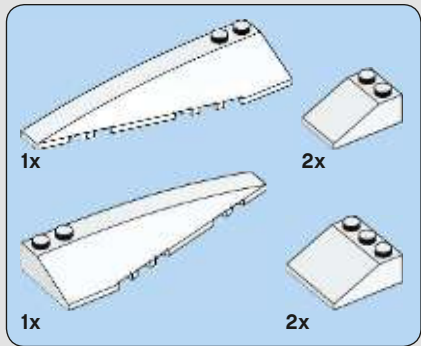
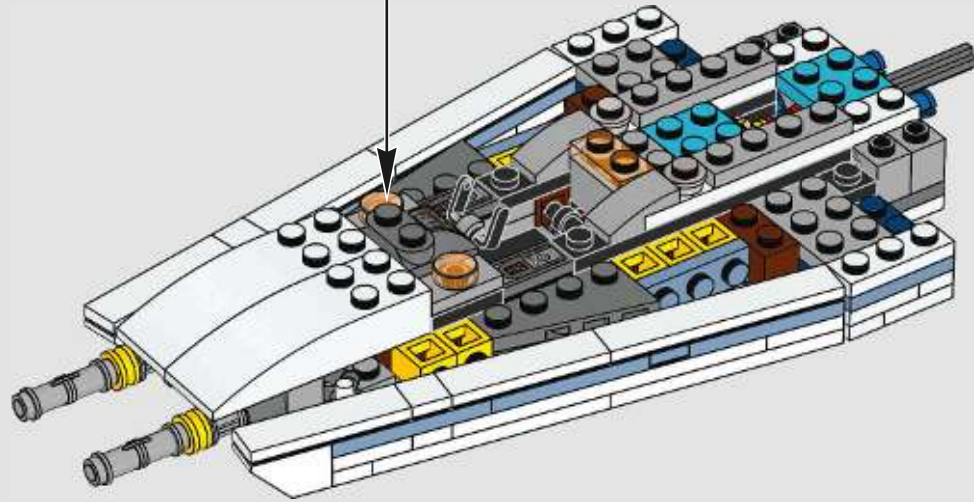
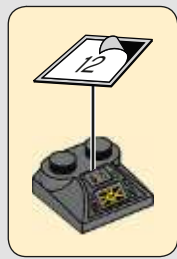
1x

173

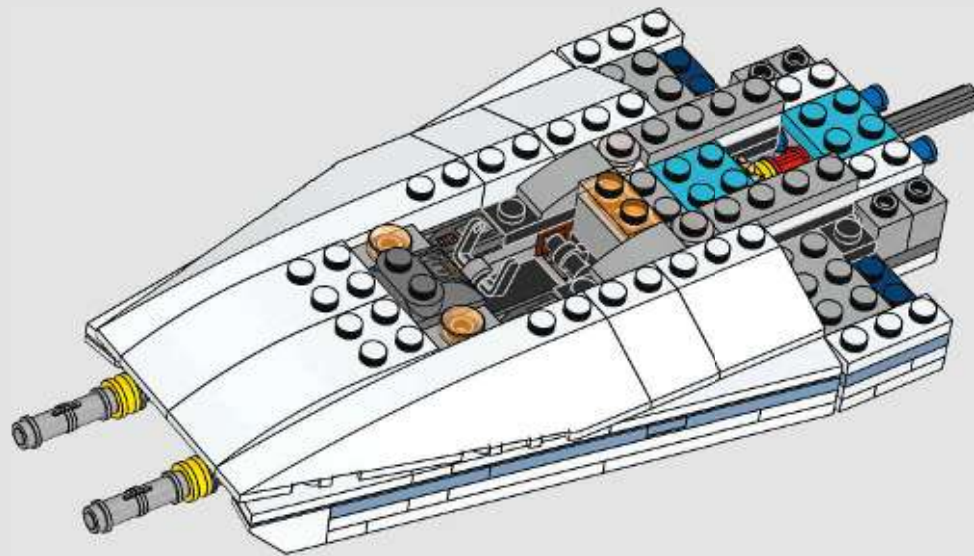


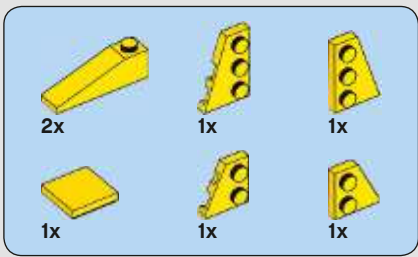


174

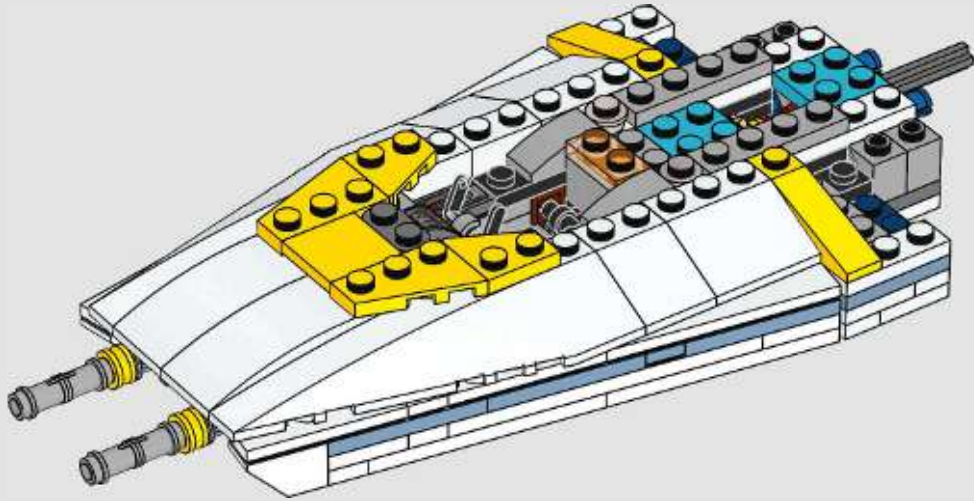


175

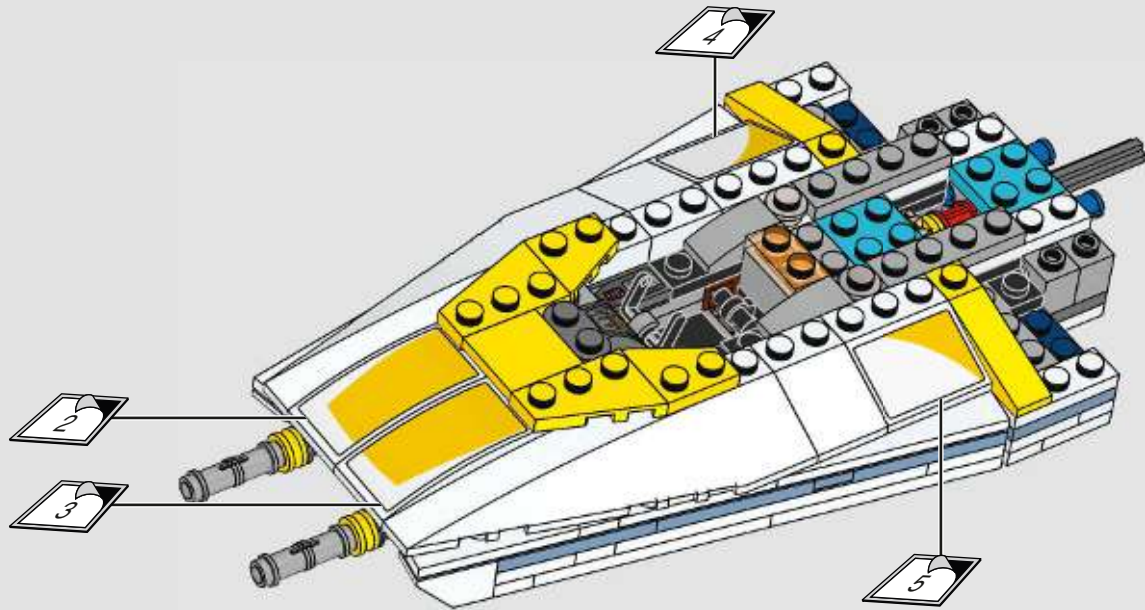


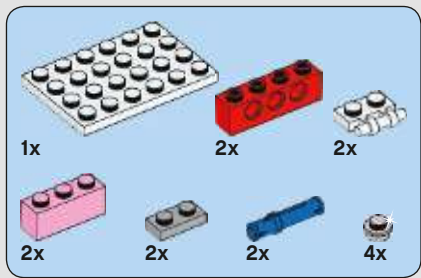


176

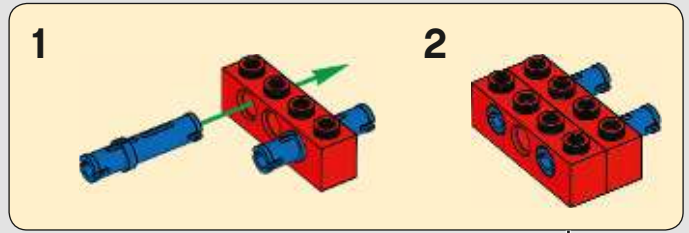


177

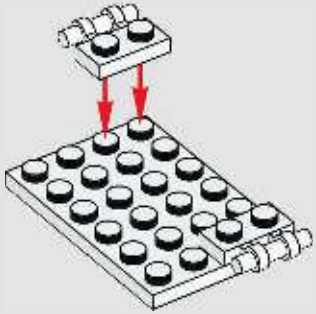




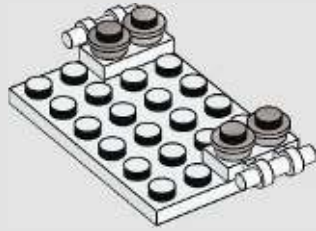
178



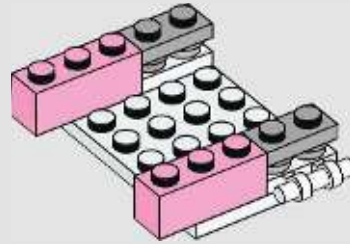
1



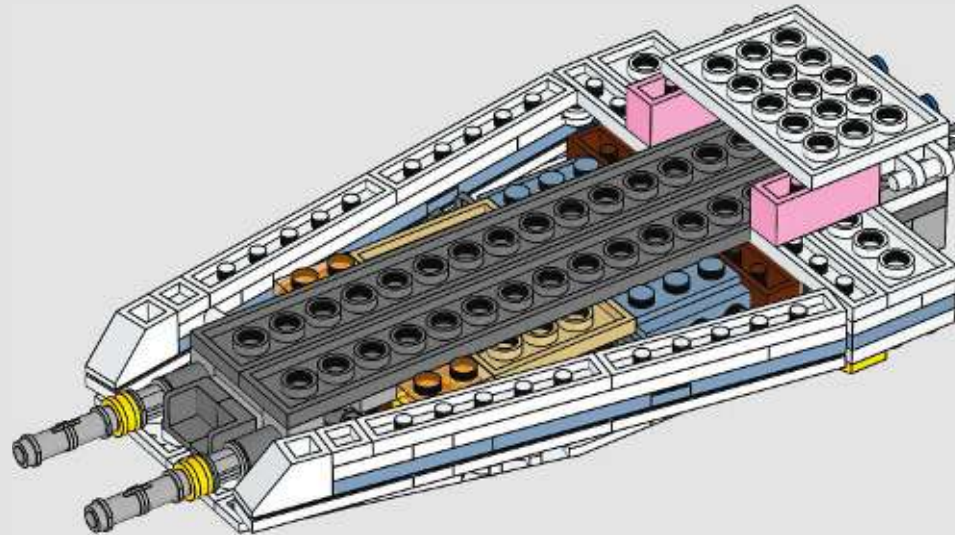
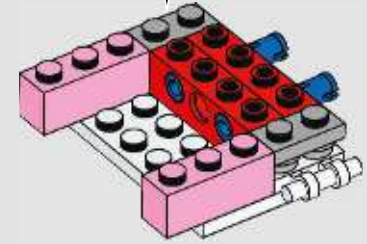
2

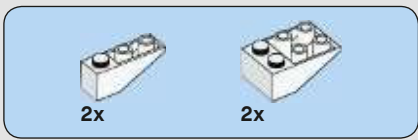


3

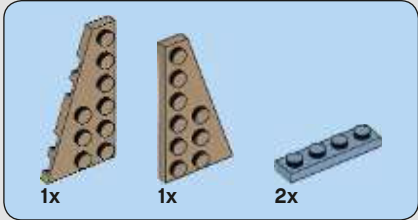
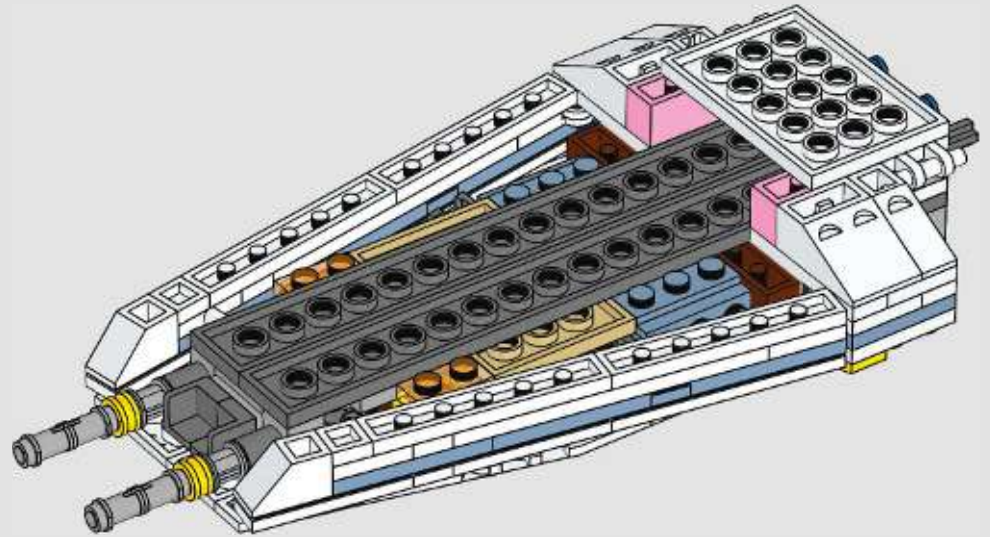


4

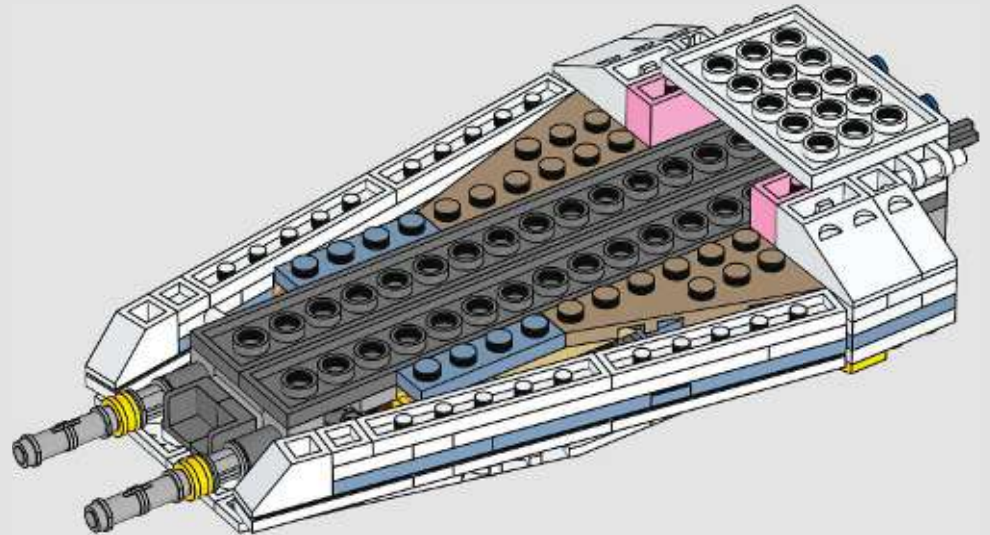


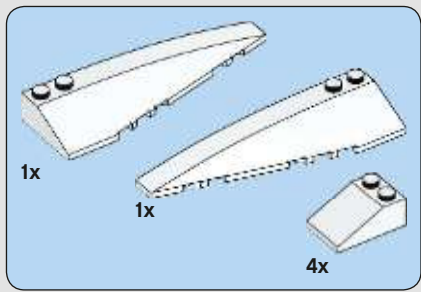


179

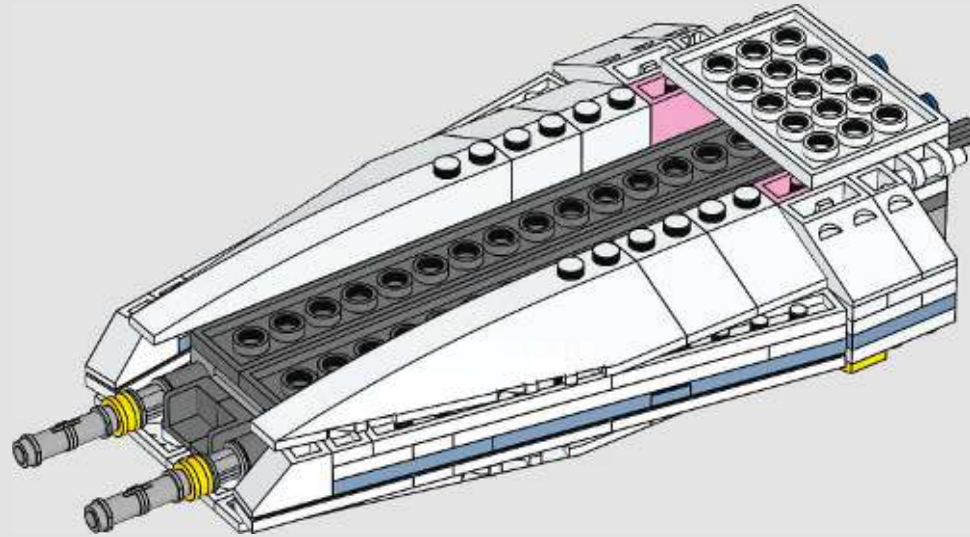


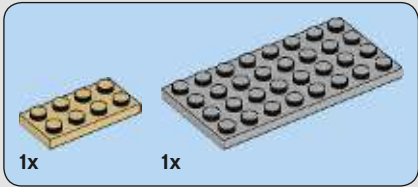
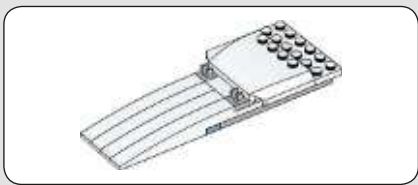
180



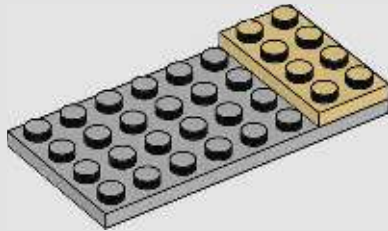


181

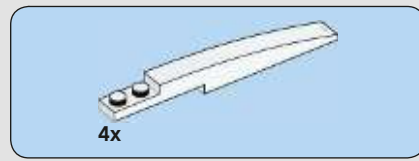
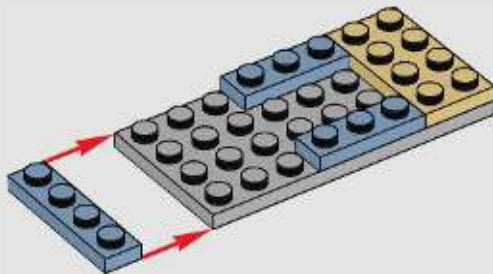




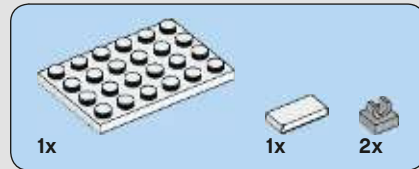
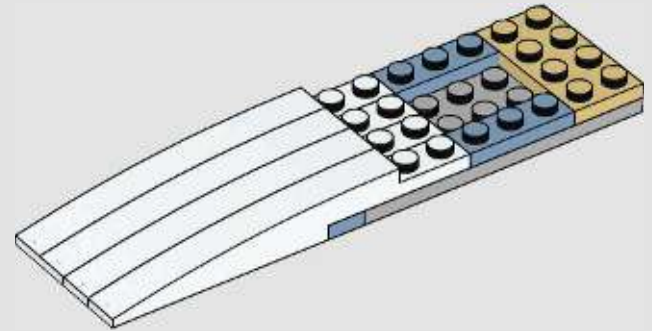
182



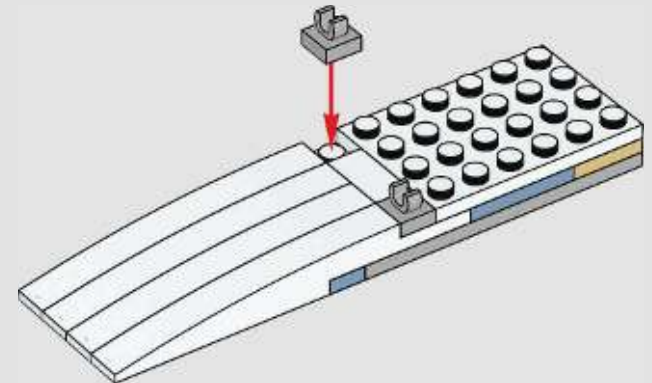
183



184

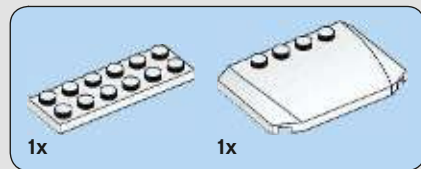
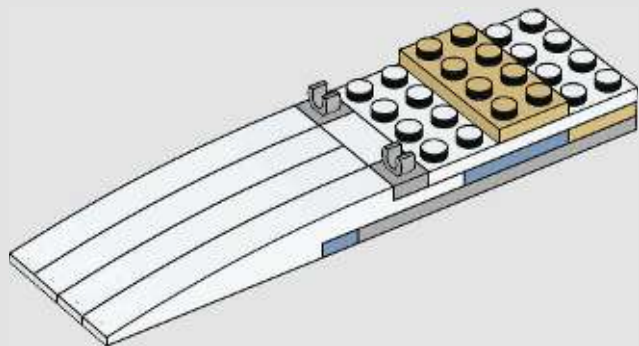


185

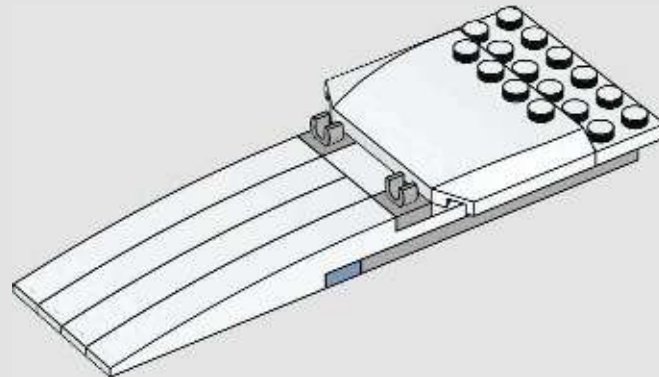




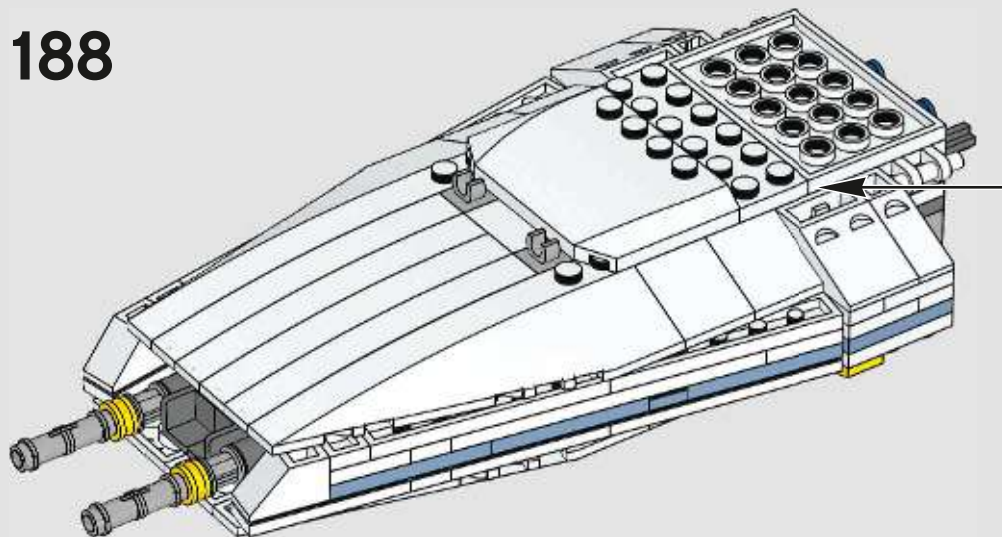
186



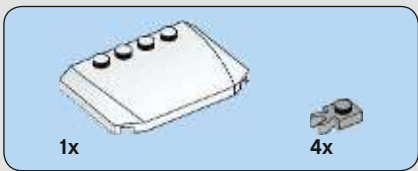
187



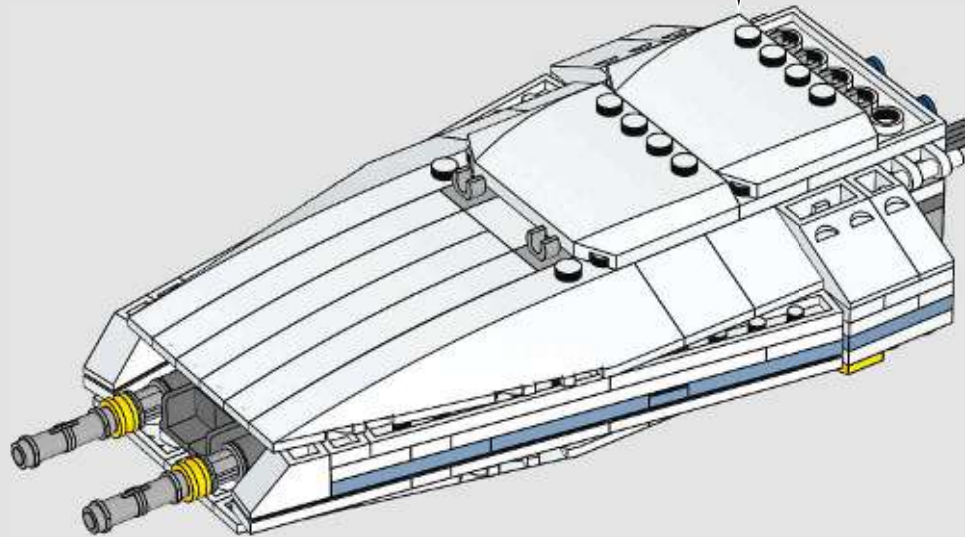
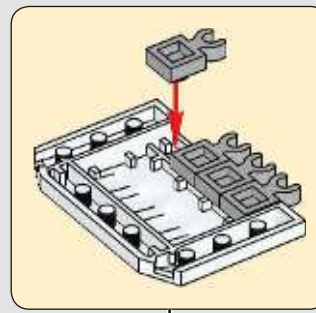
188

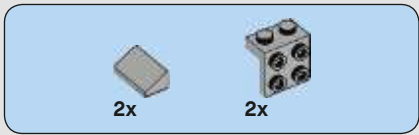




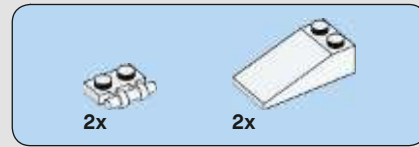
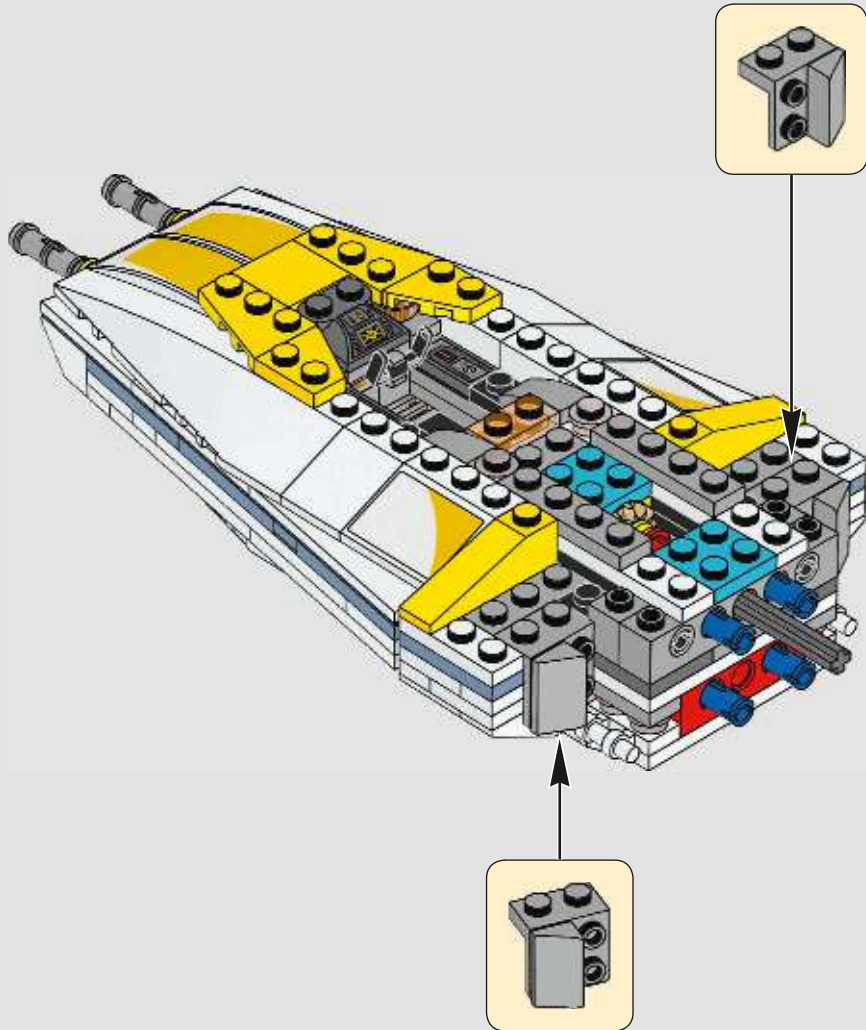


189

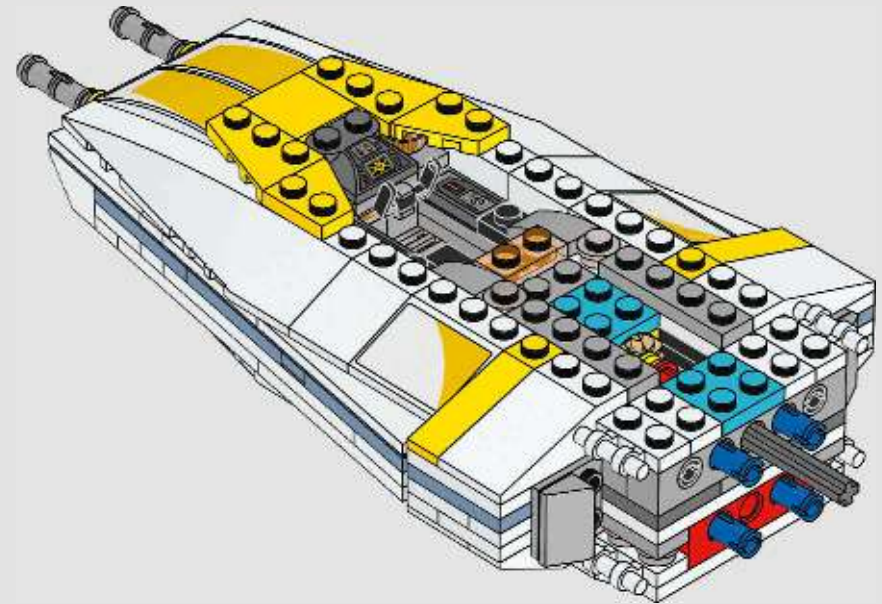




190

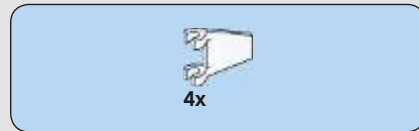
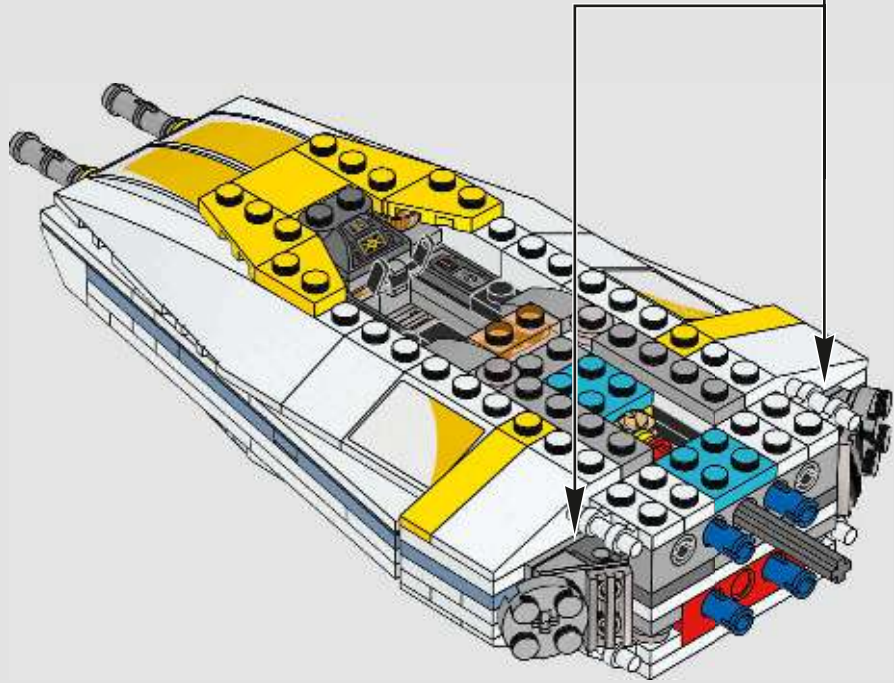
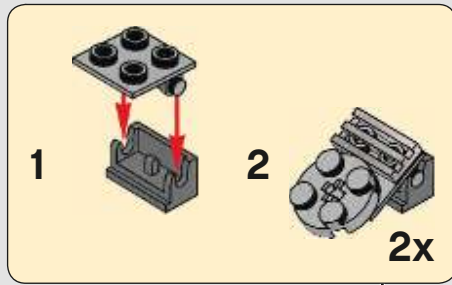


191

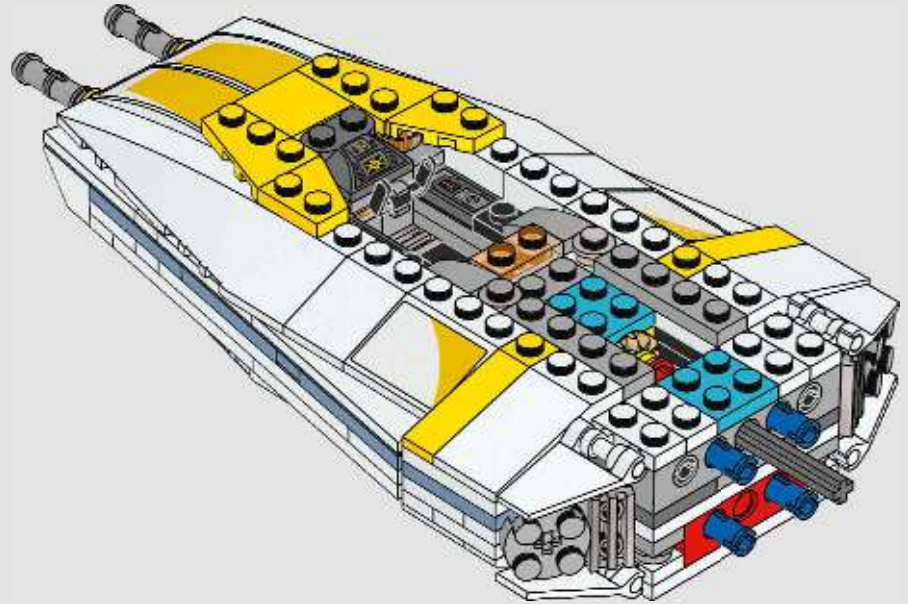


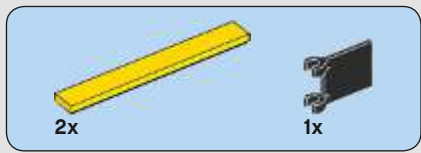


192

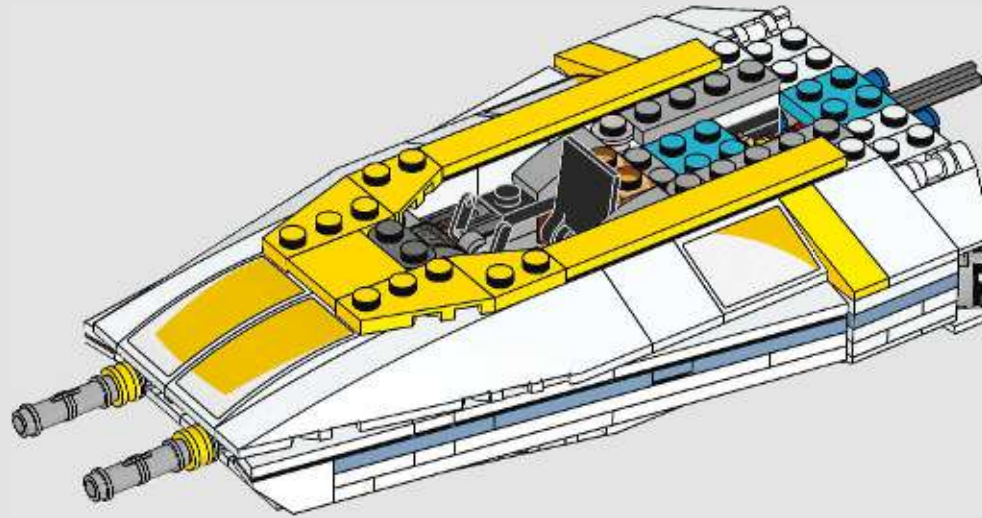


193

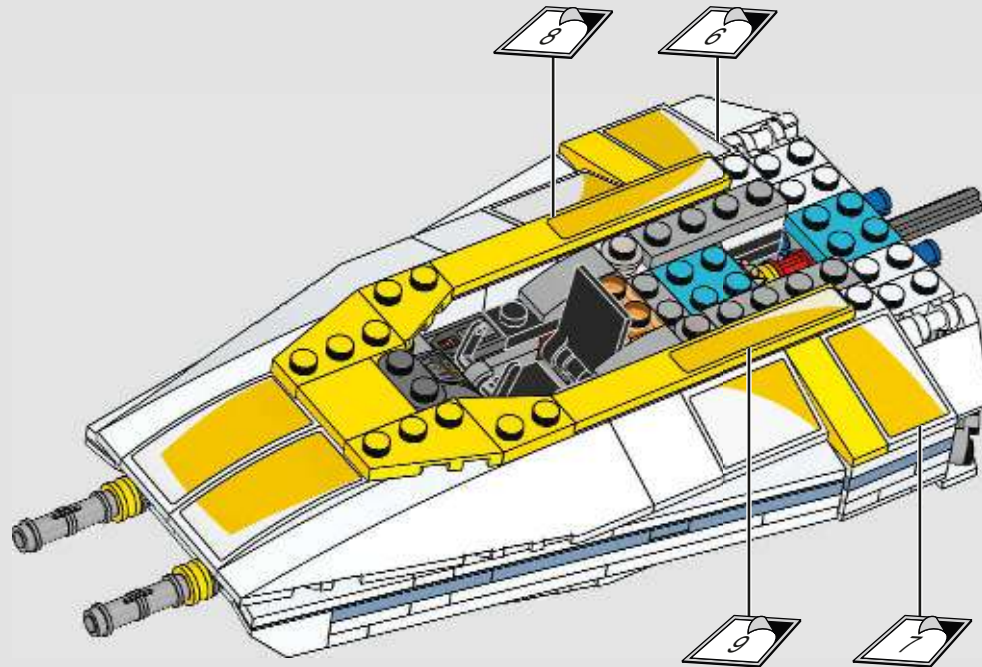




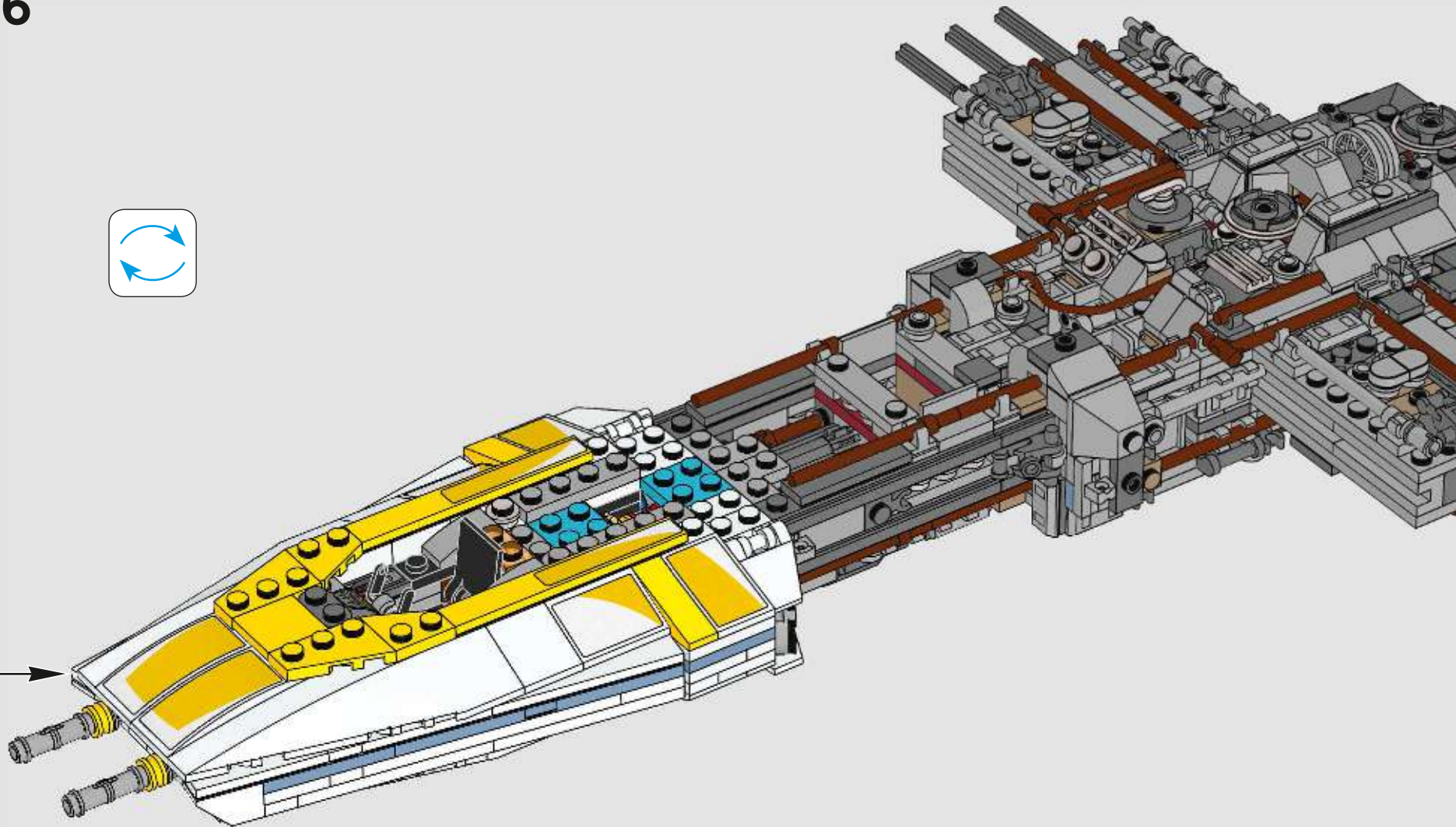
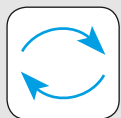
194



195

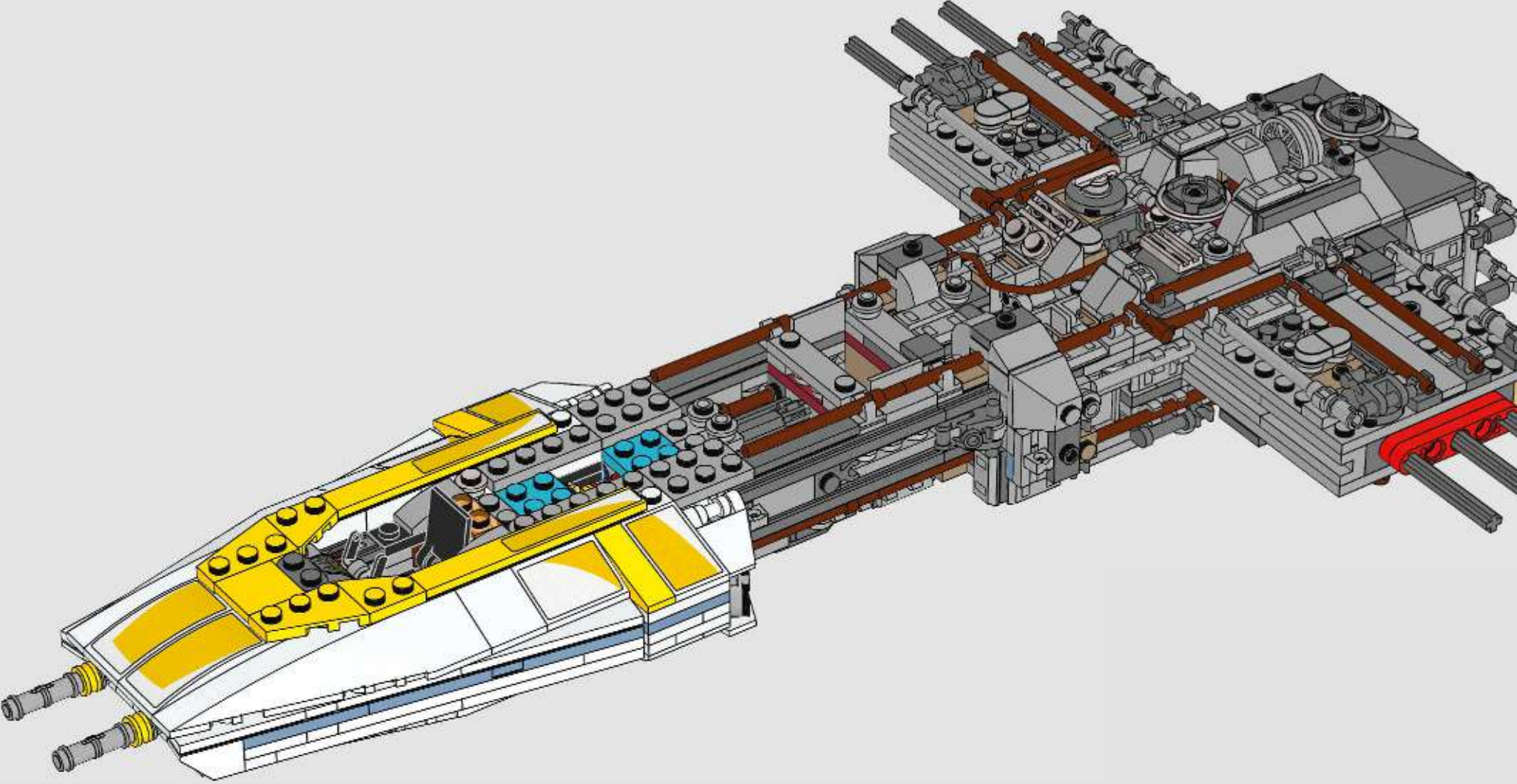


196



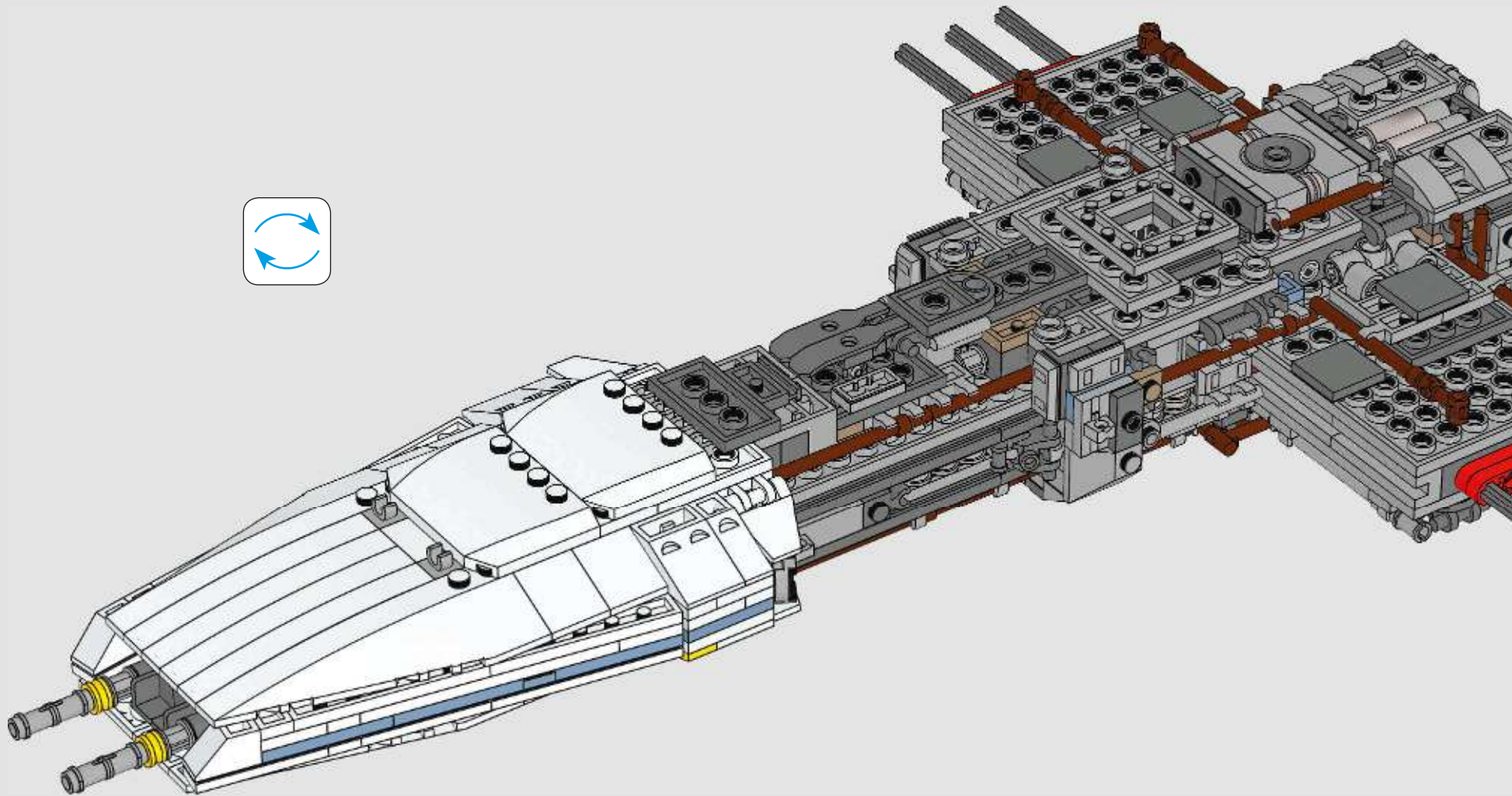
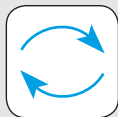
2x  2x 

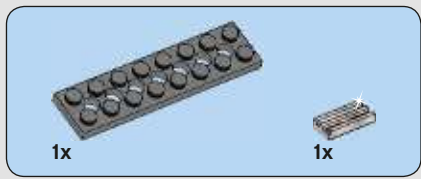
197



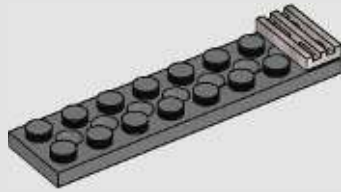


198

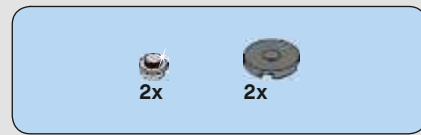
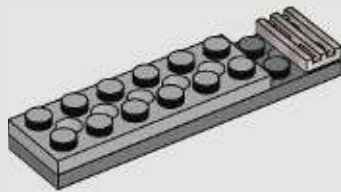




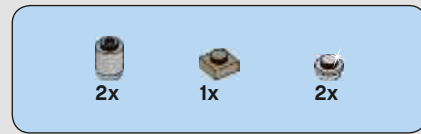
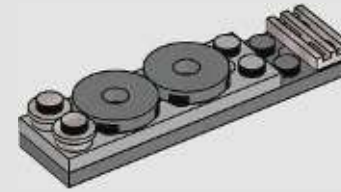
199



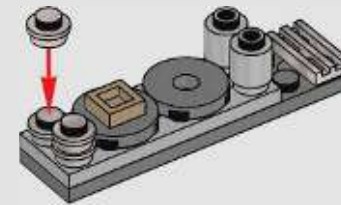
200



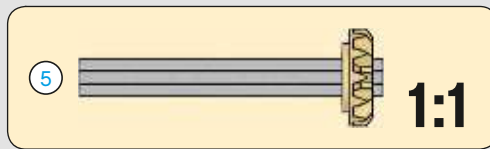
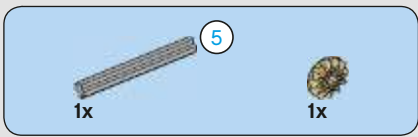
201



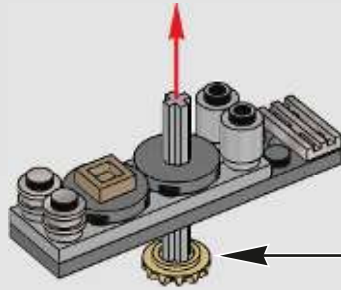
202



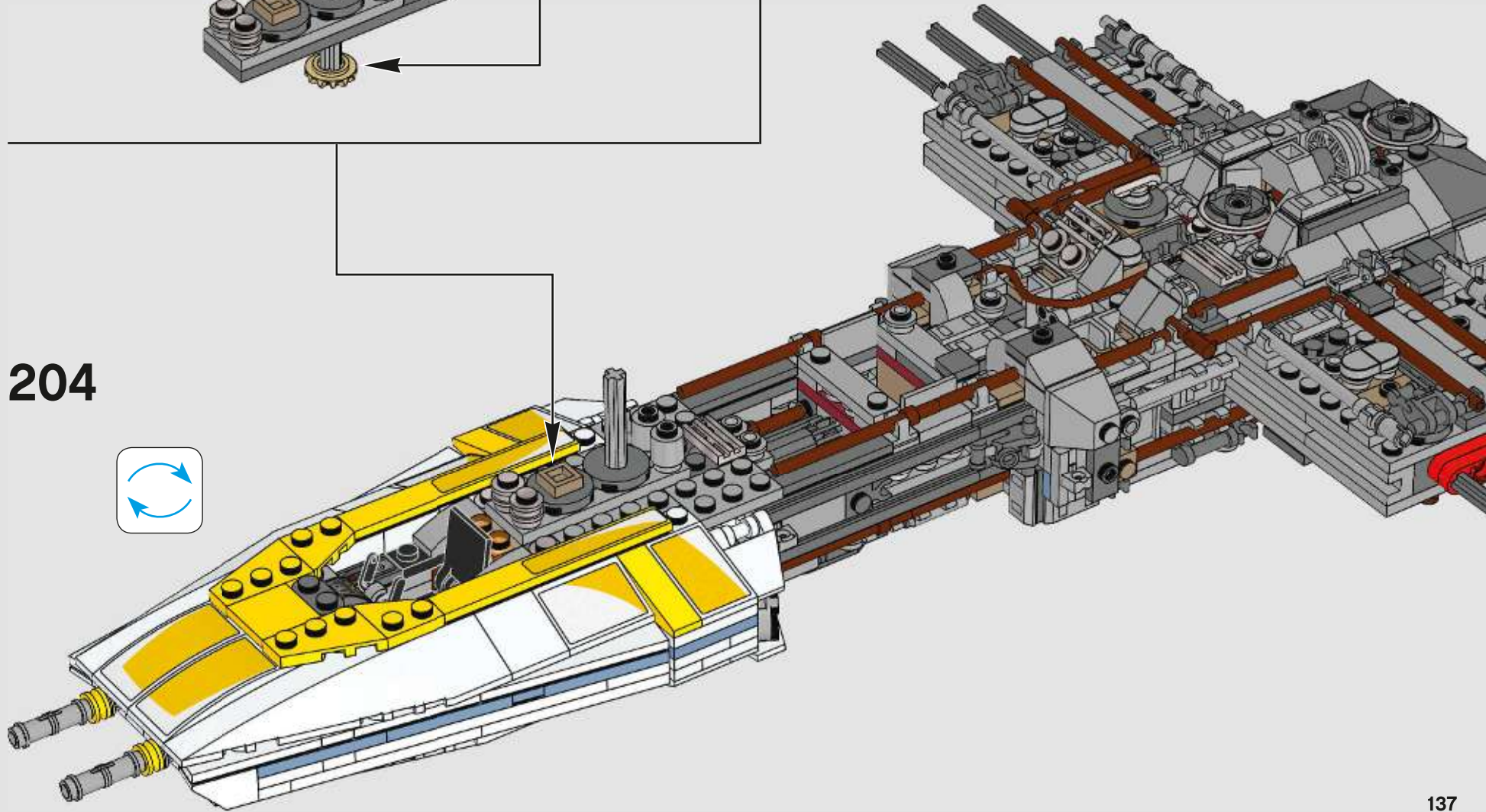


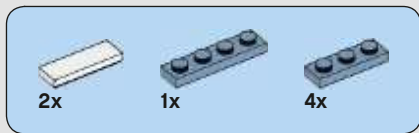


203

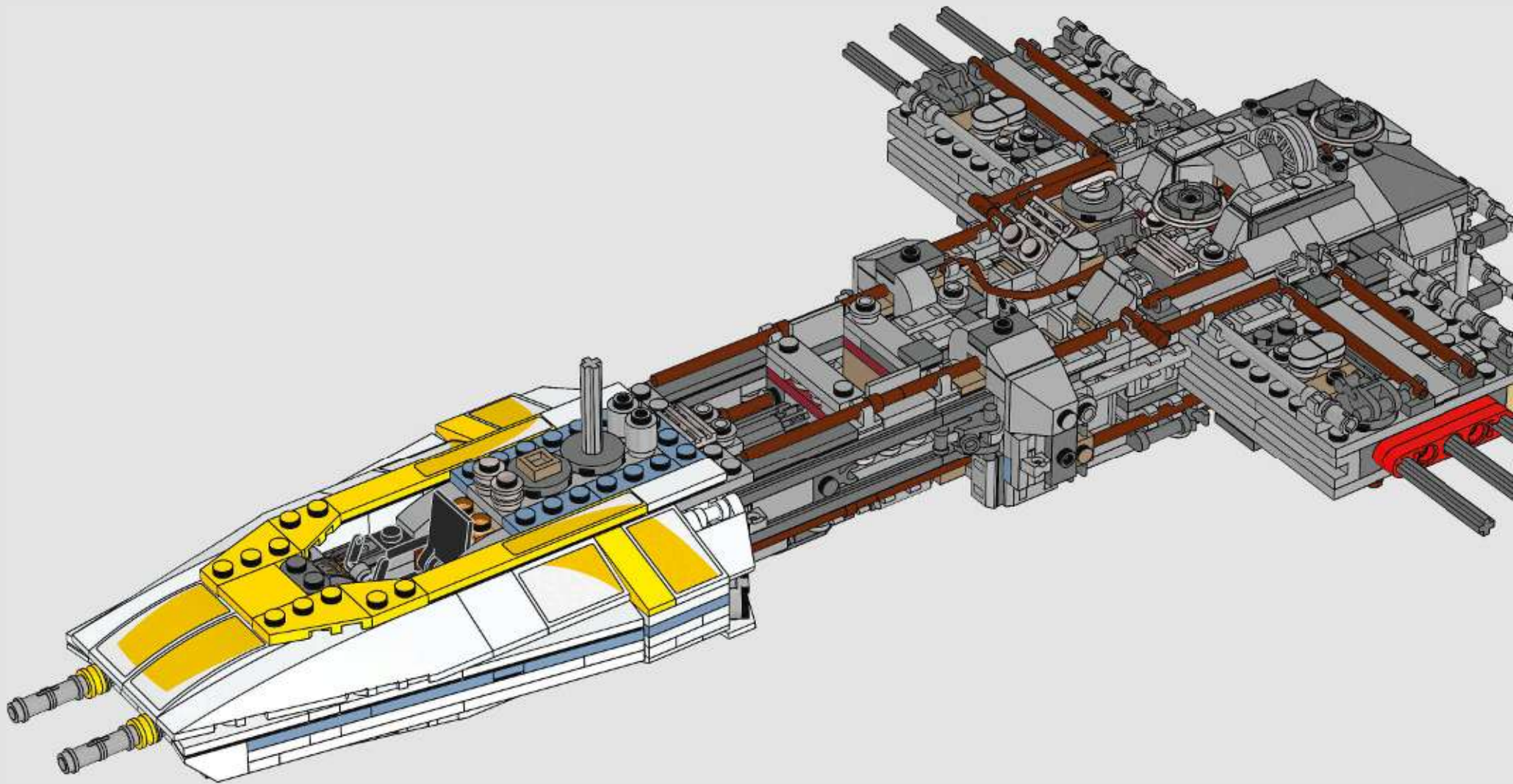


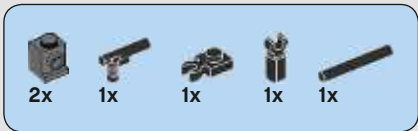
204



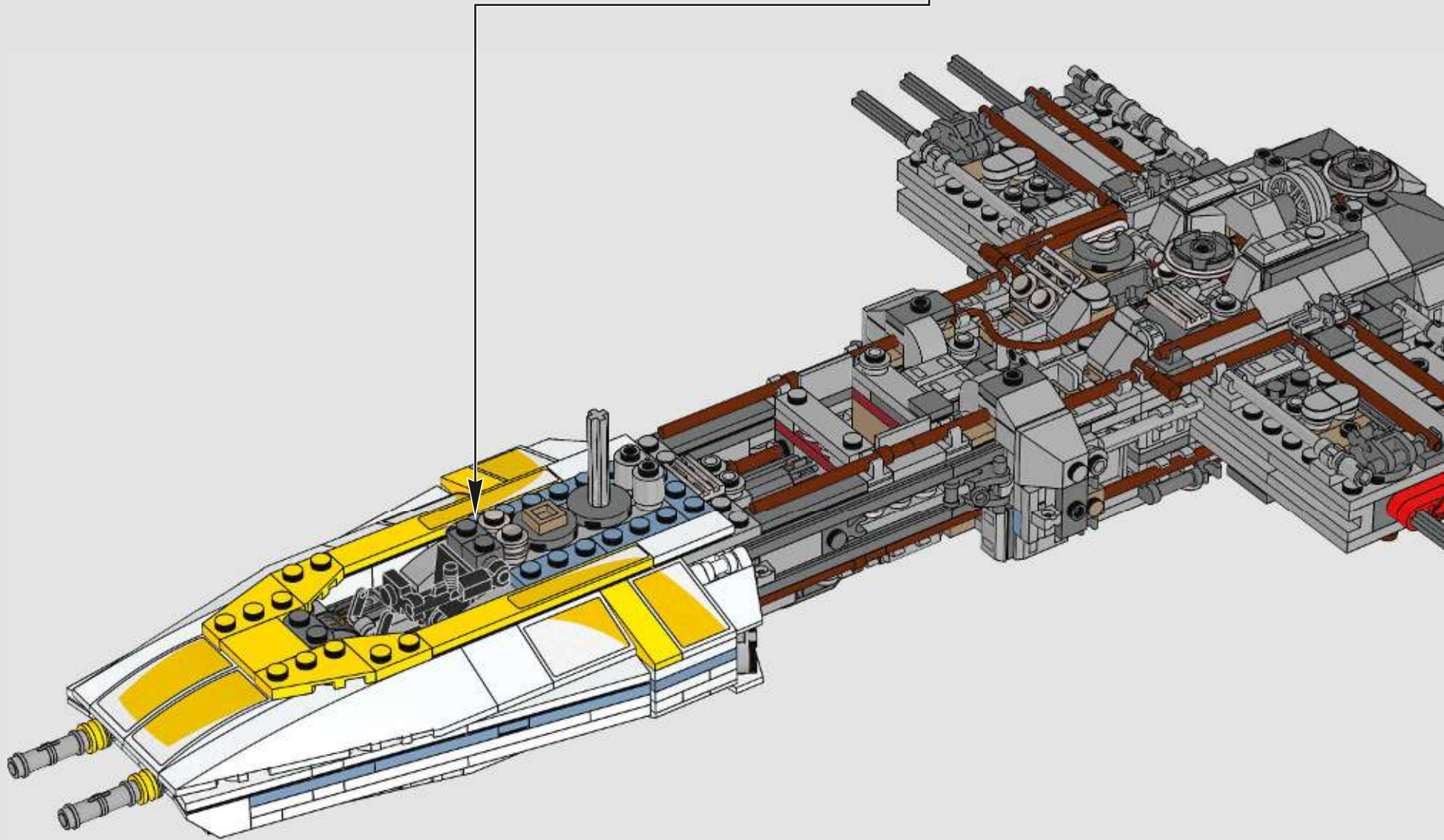
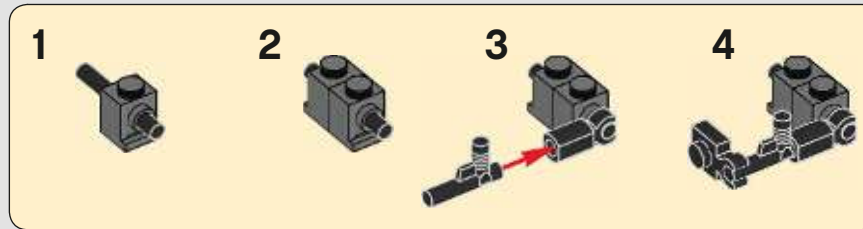


205



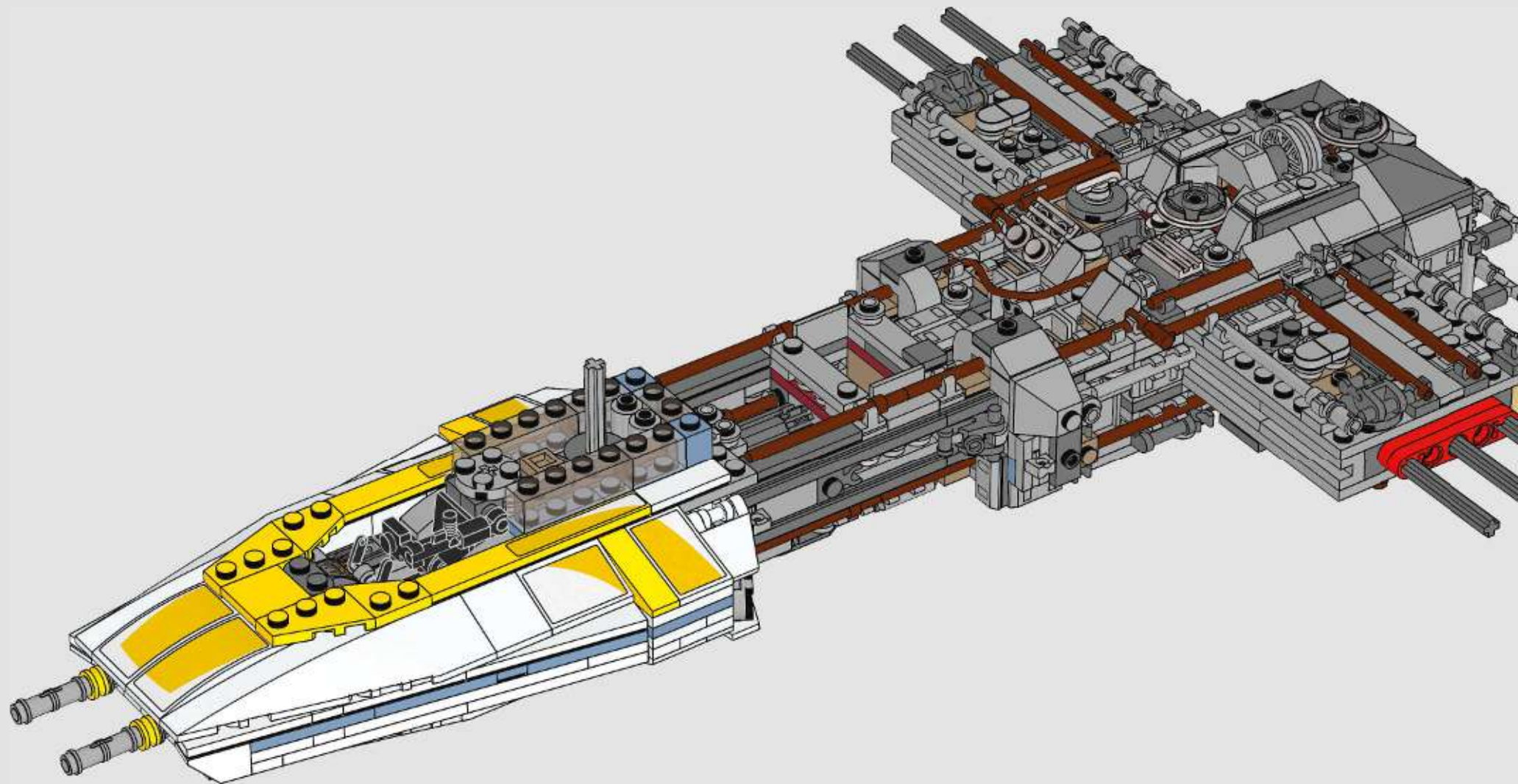


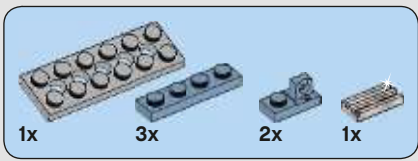
206



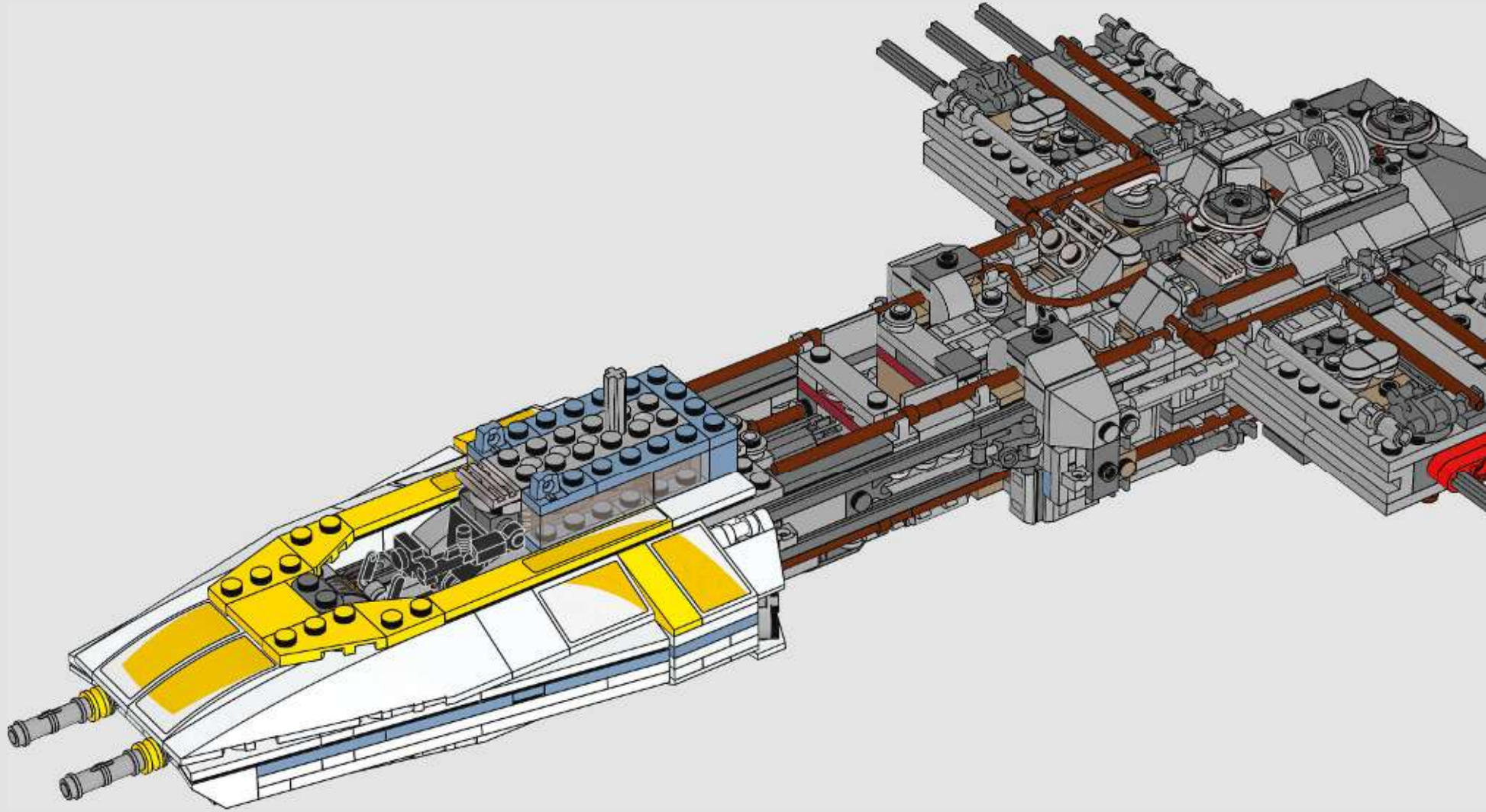


207



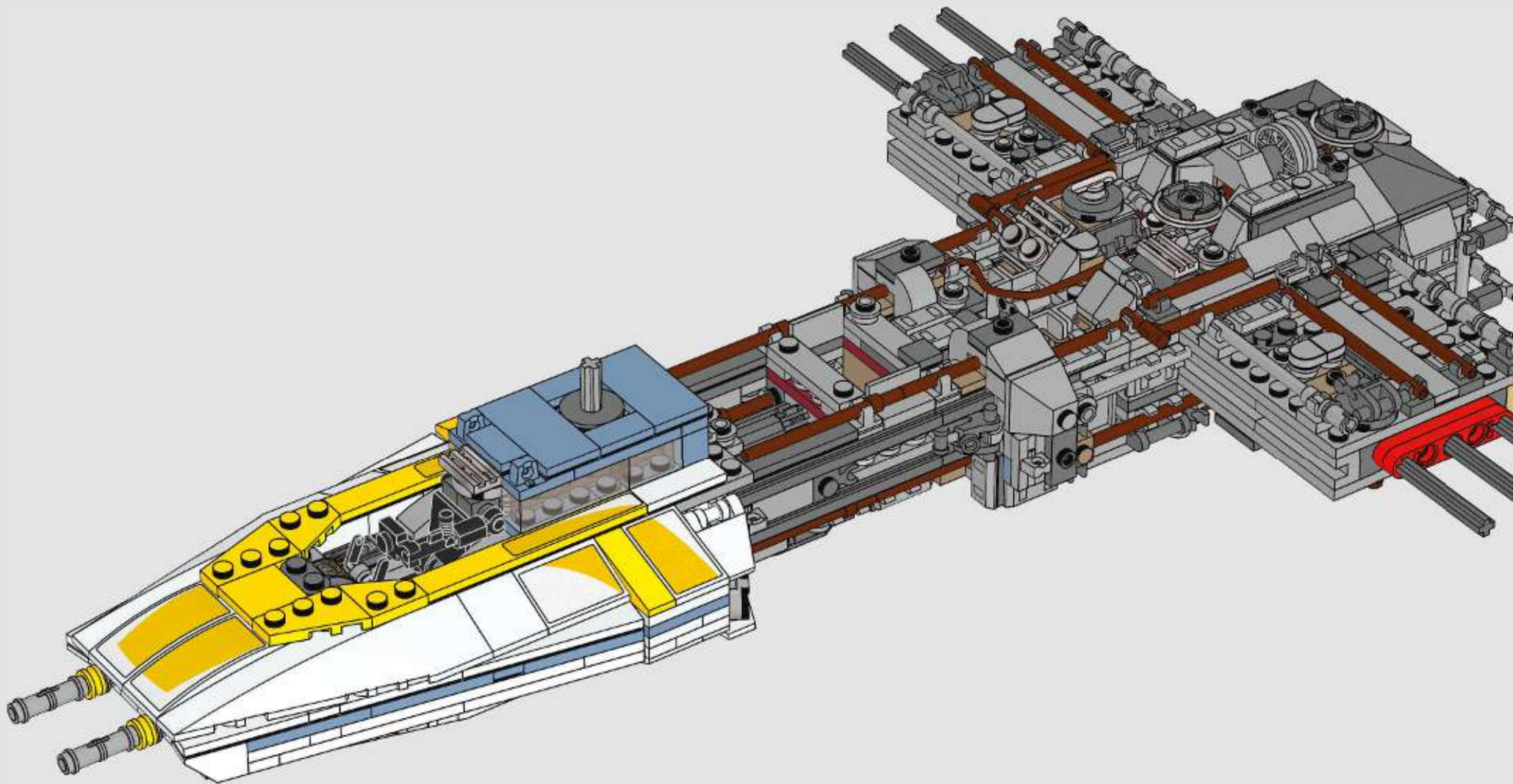


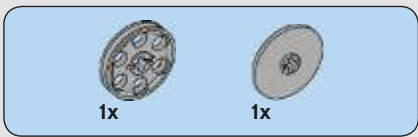
208



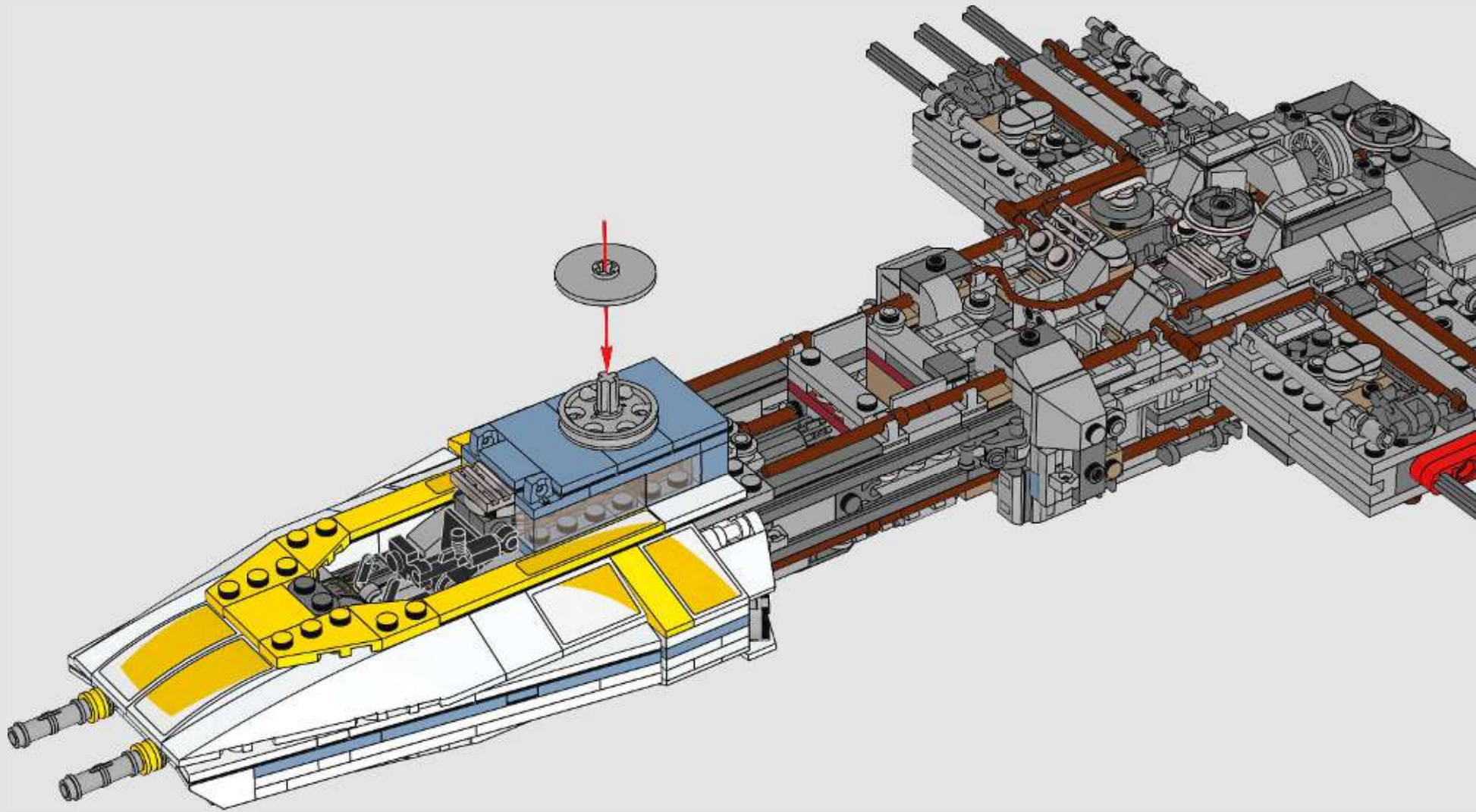


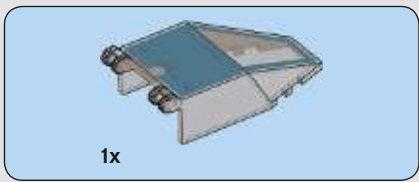
209



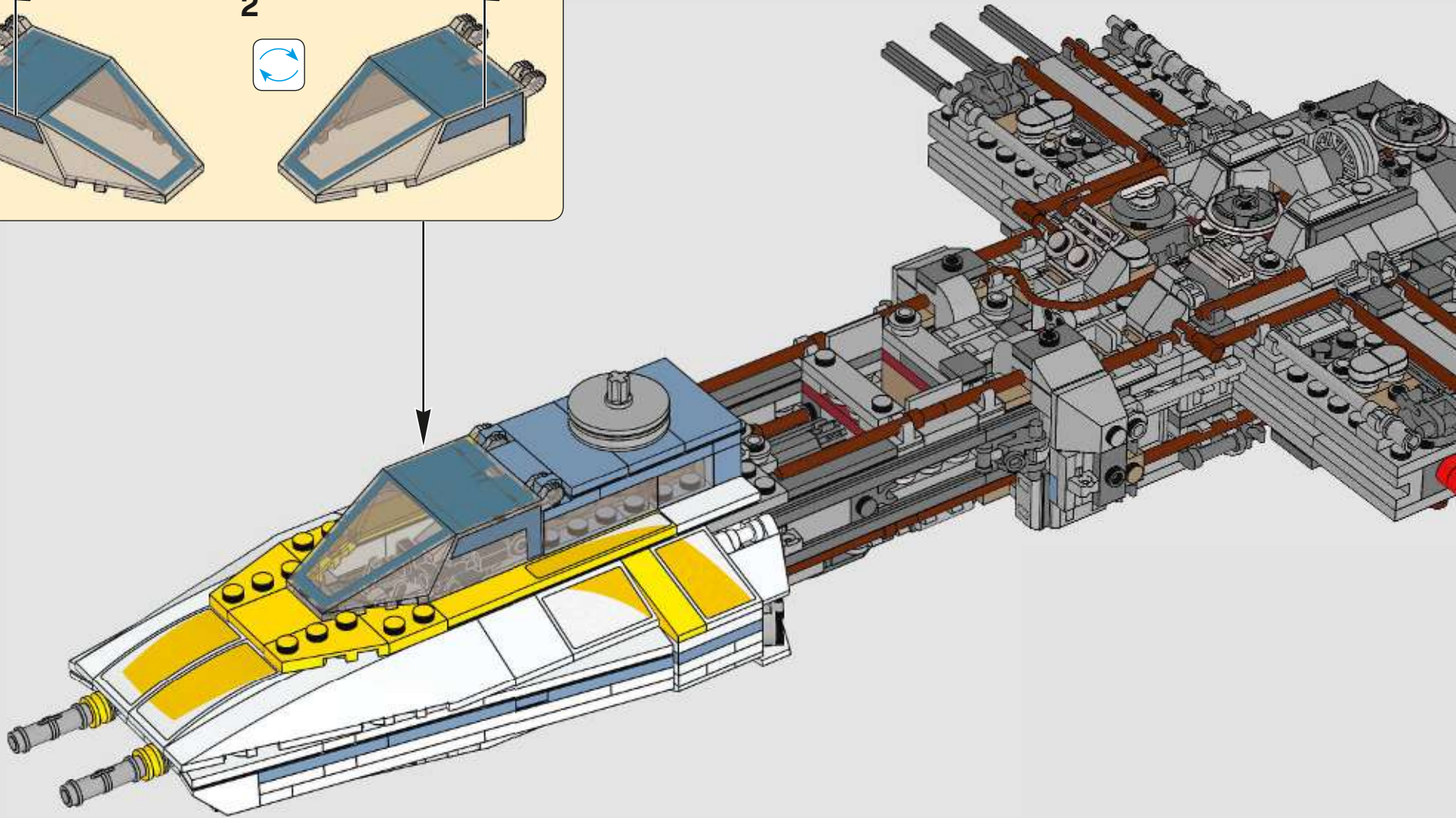
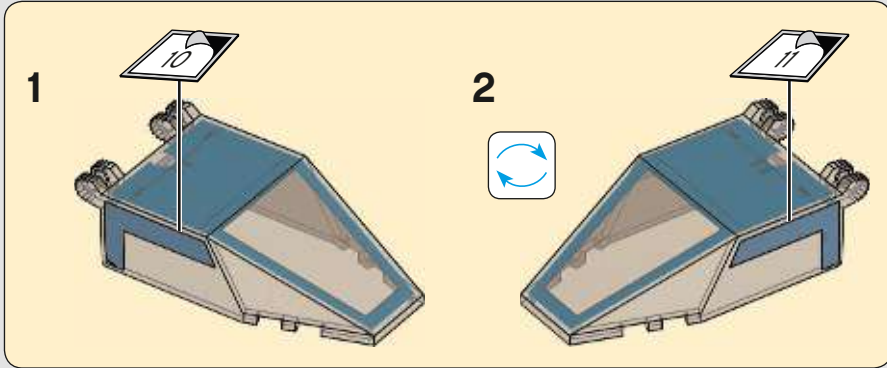


210

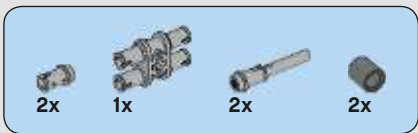




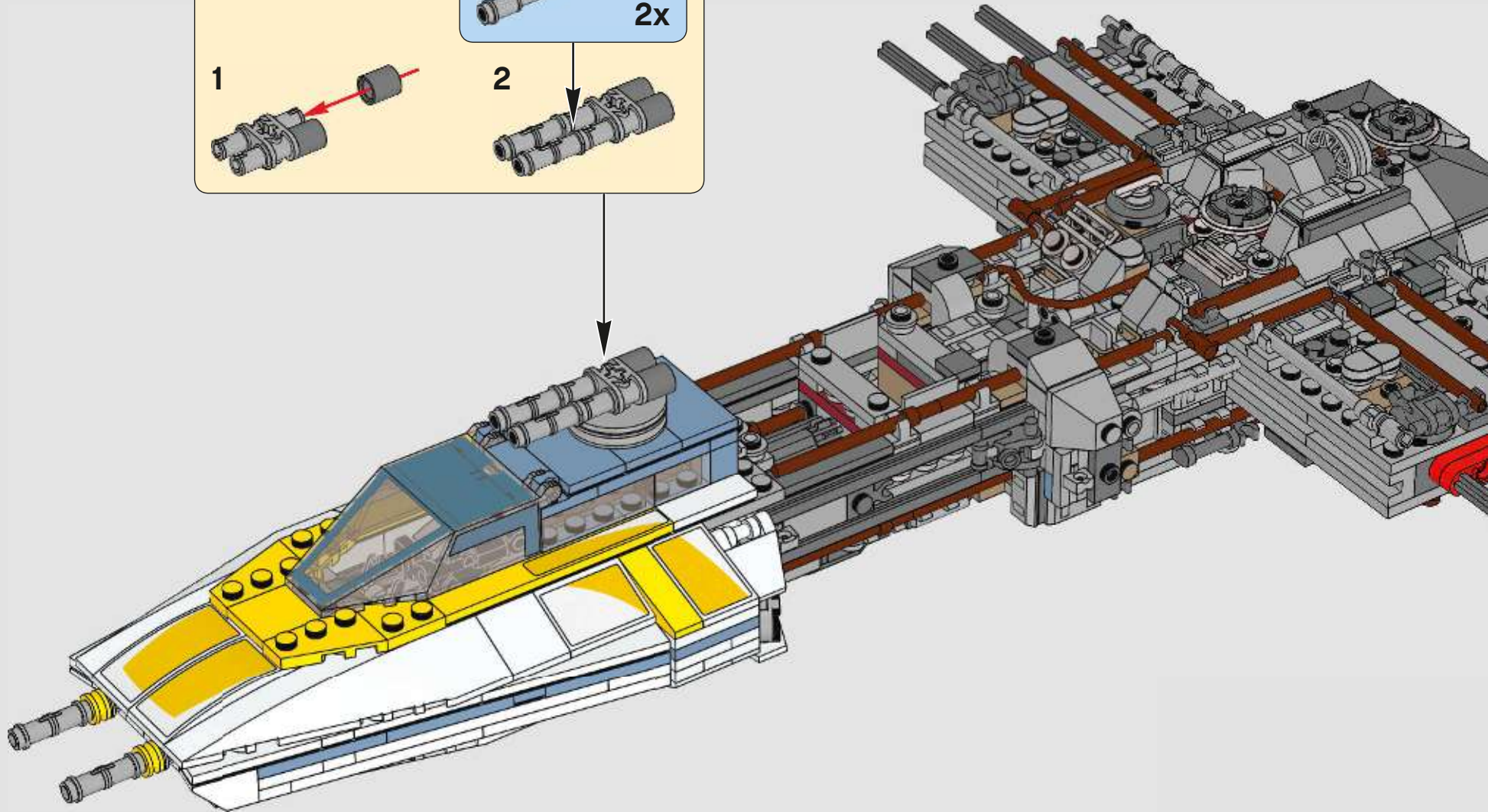
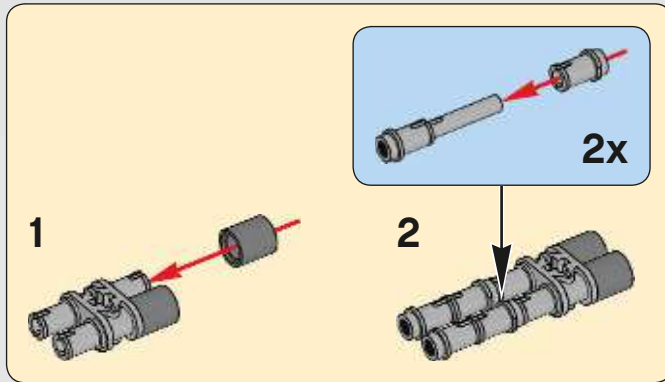
211

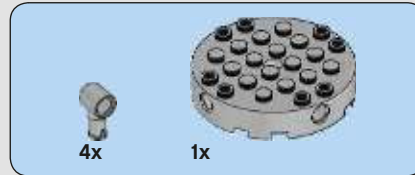
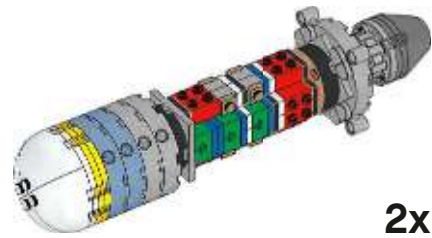
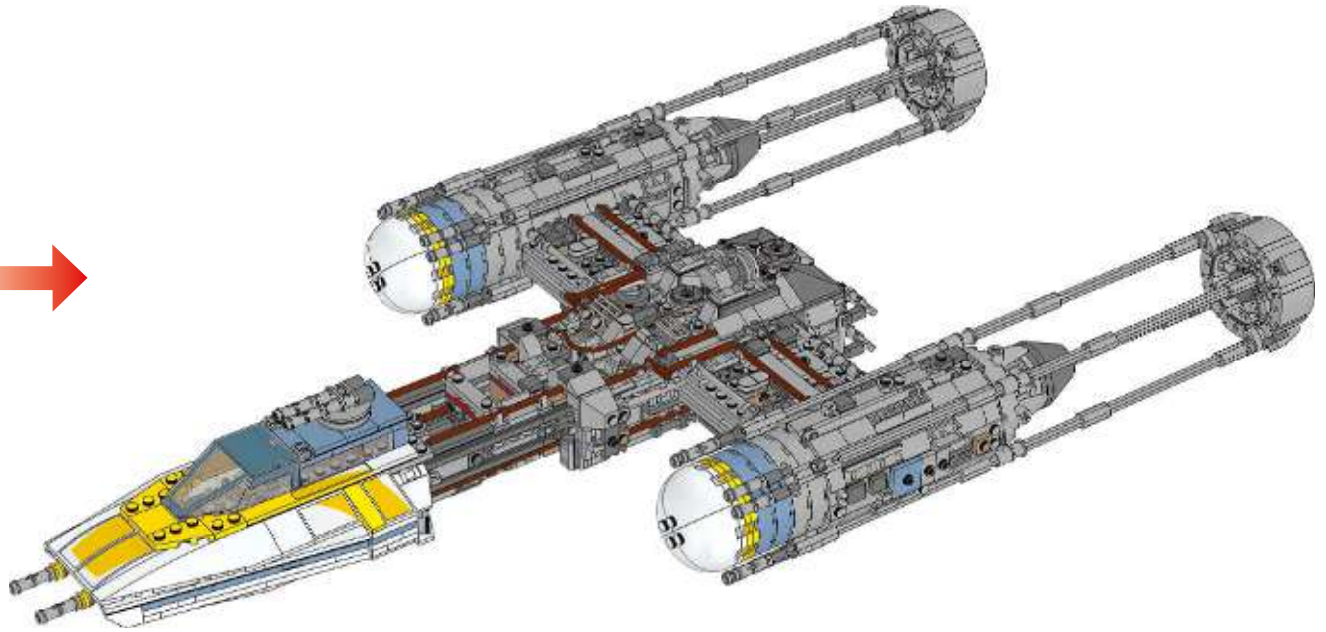




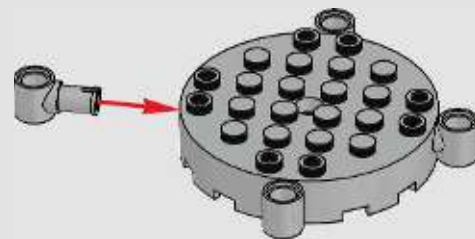


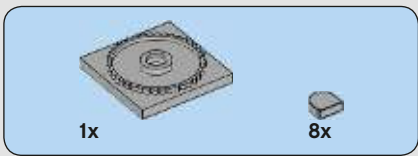
212



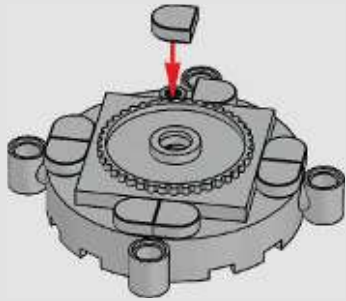


213

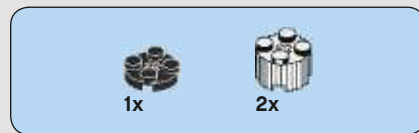
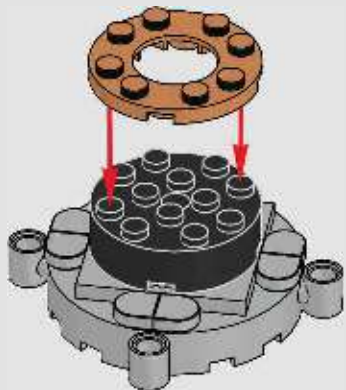




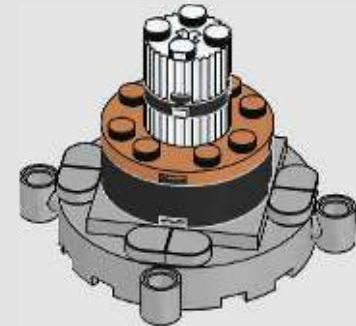
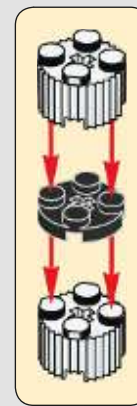
214

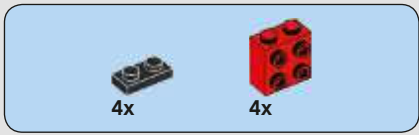


215

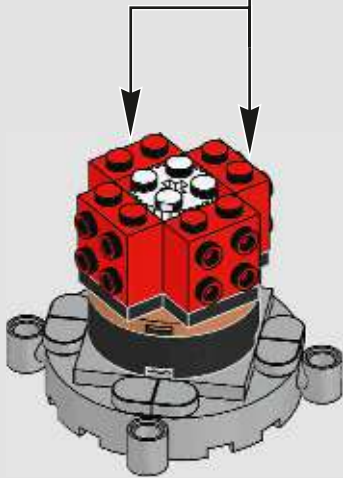


216

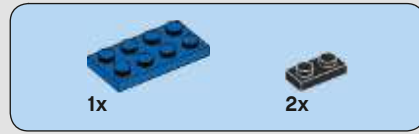
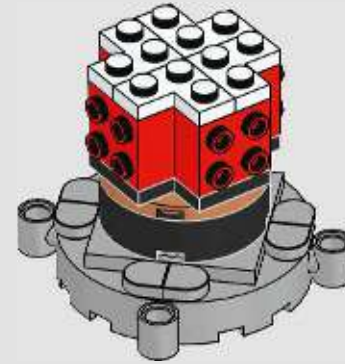




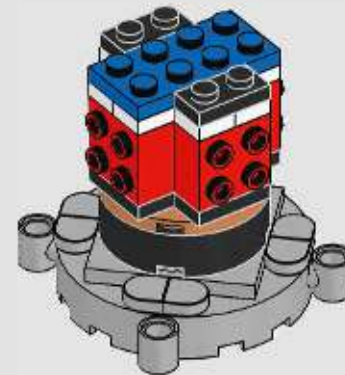
217



218

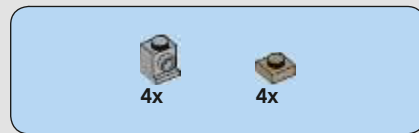
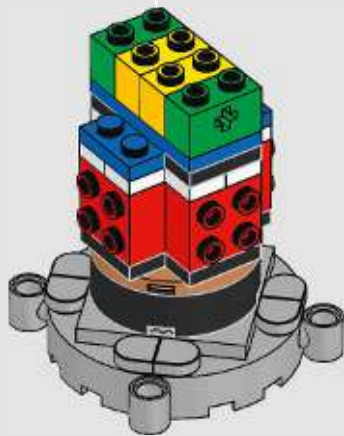
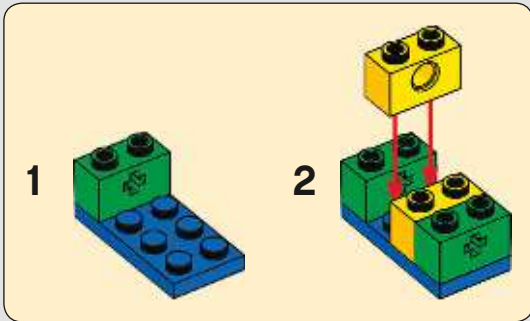


219

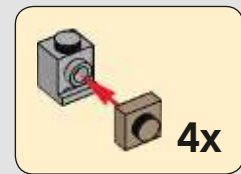




220



221



222





4x

# 223



2x

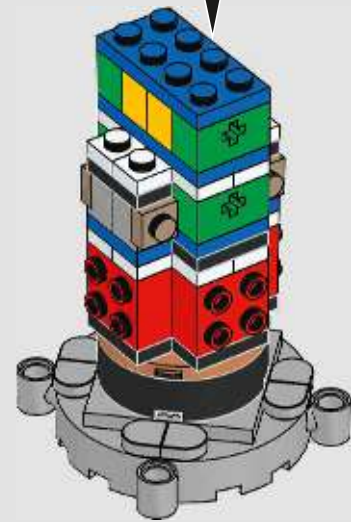
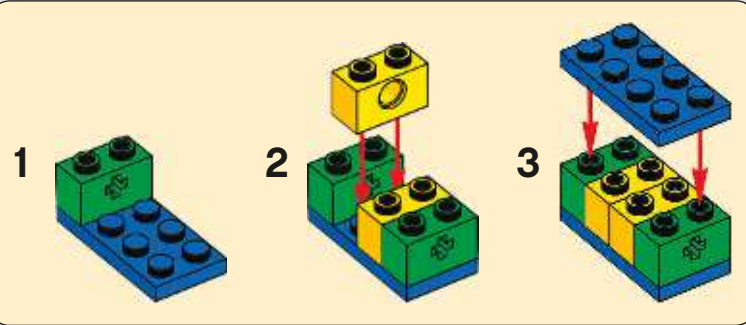


2x



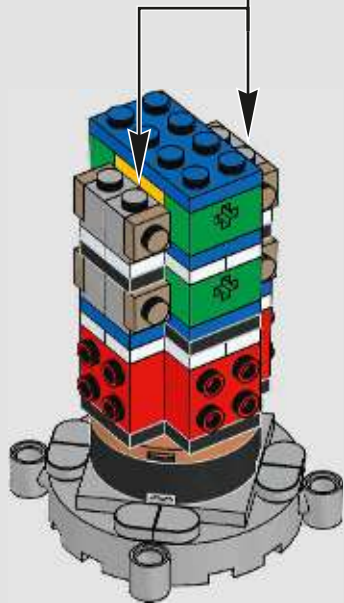
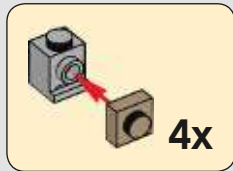
2x

# 224

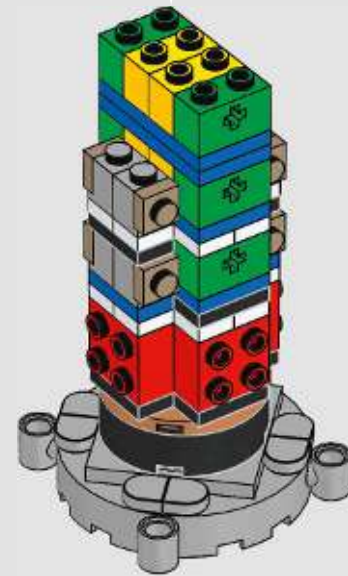
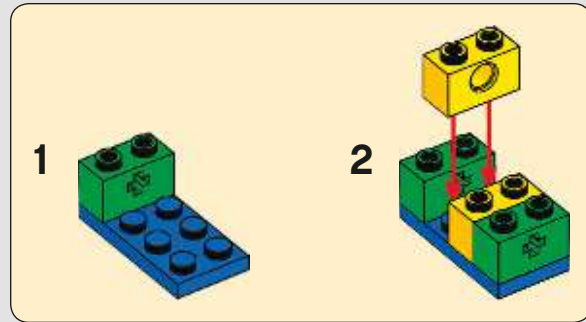


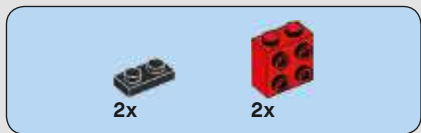


# 225

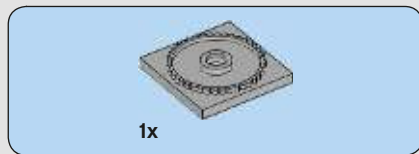
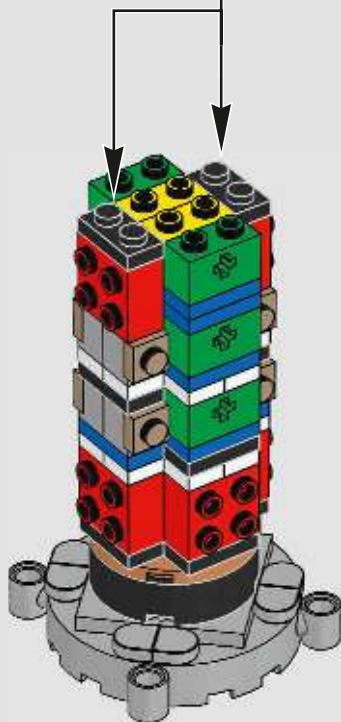
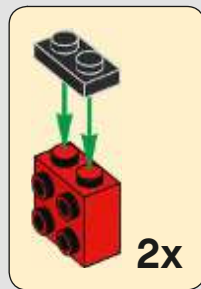


# 226

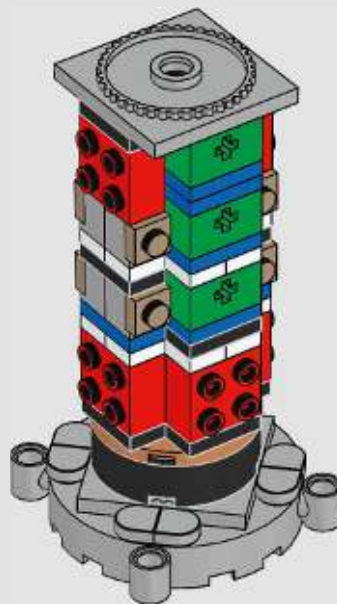




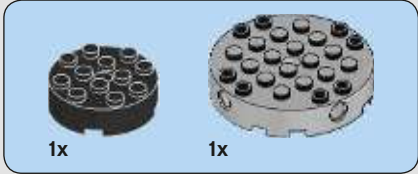
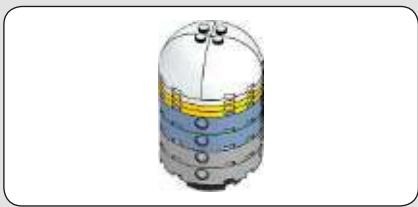
227



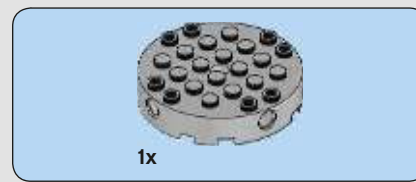
228



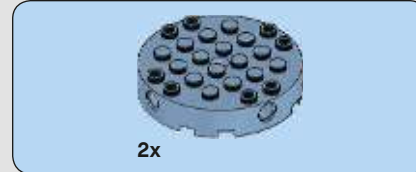




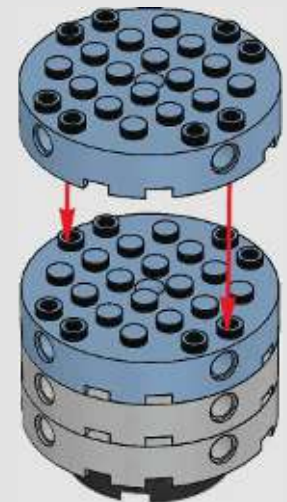
229

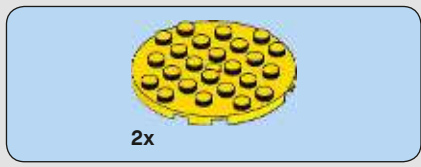


230

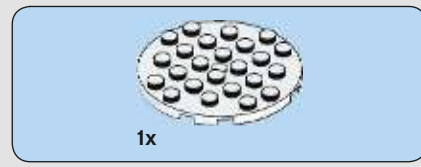
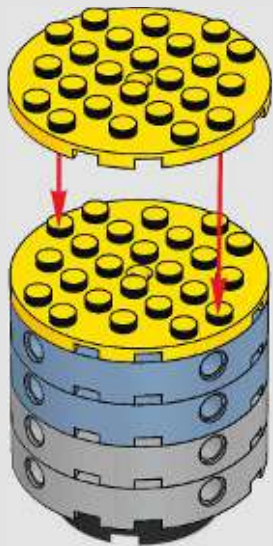


231

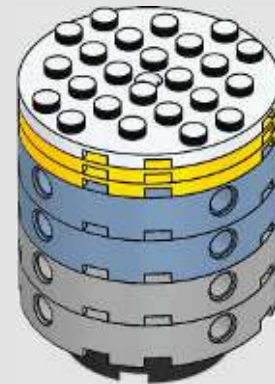




232

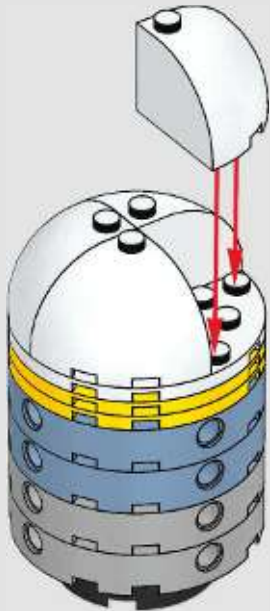


233

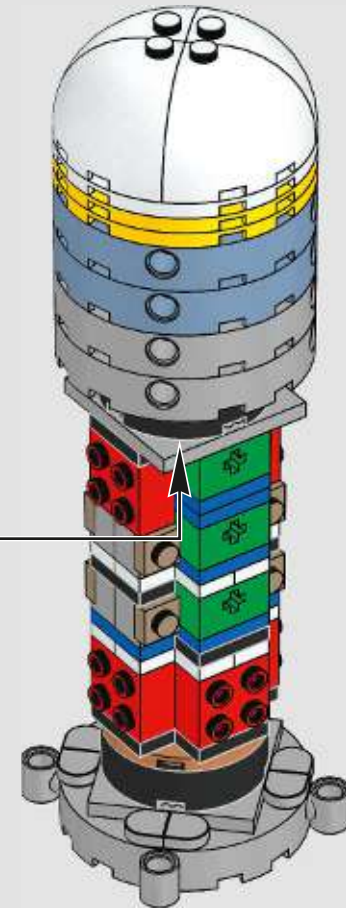


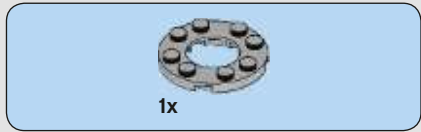


234



235





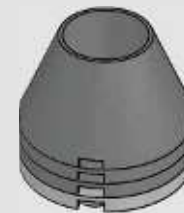
**236**

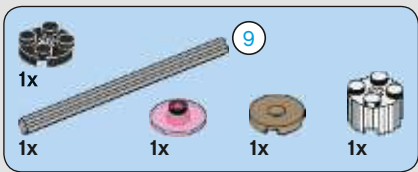


**237**

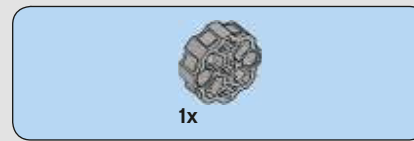
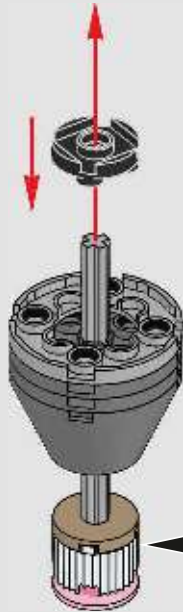
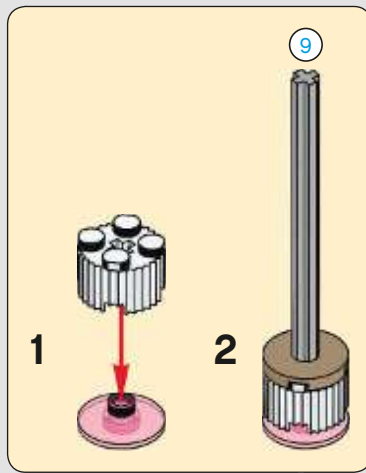


**238**

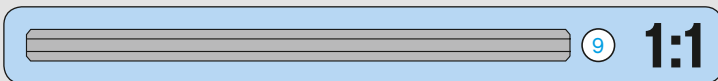
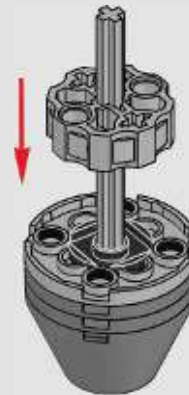




239

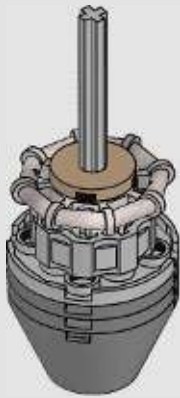
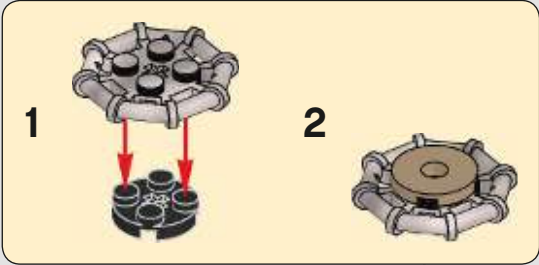


240

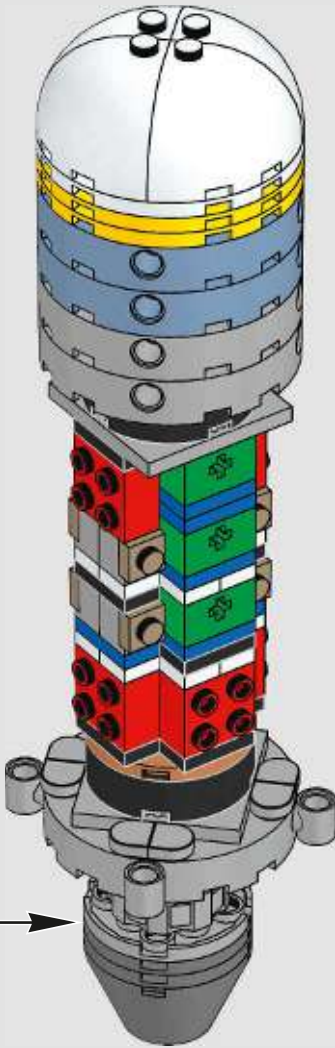




241



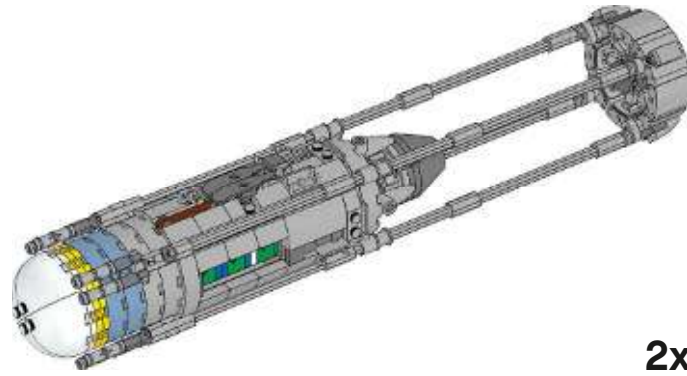
242



2x



10



2x

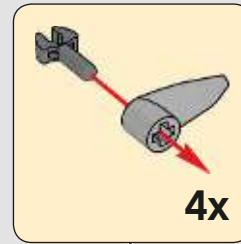


4x

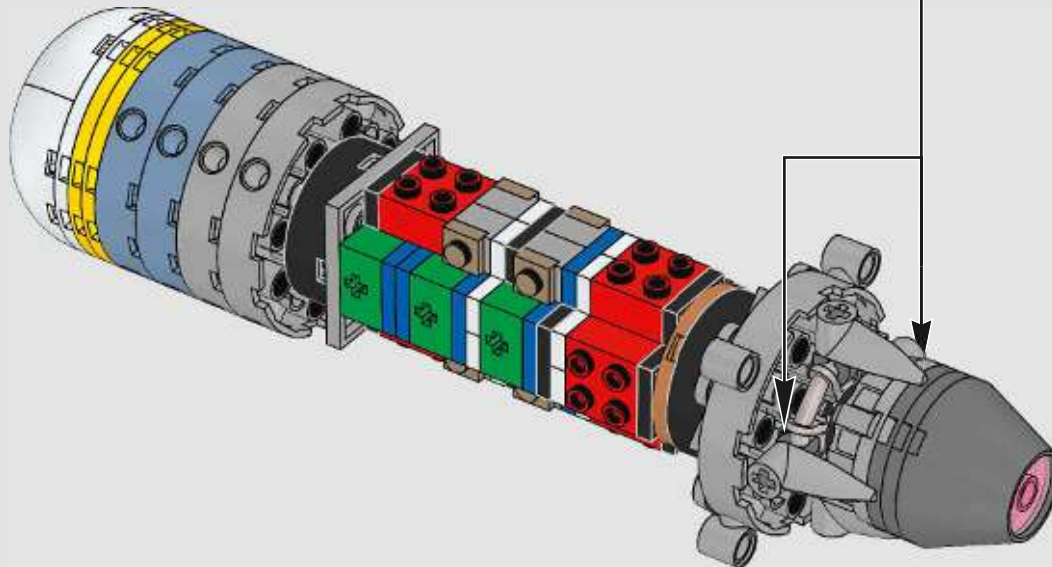


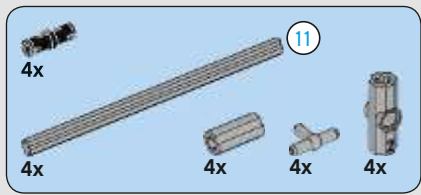
4x

243

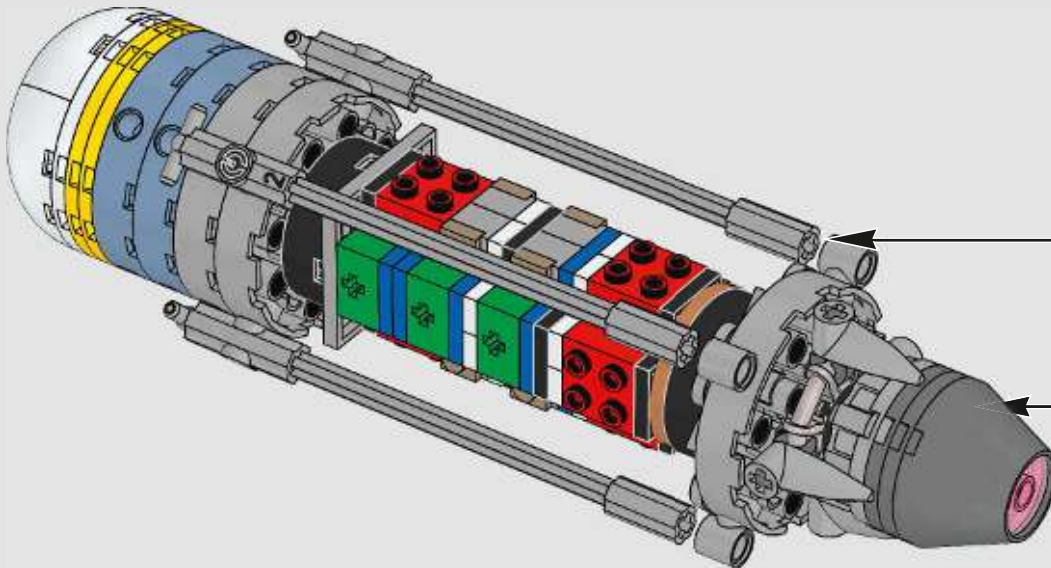
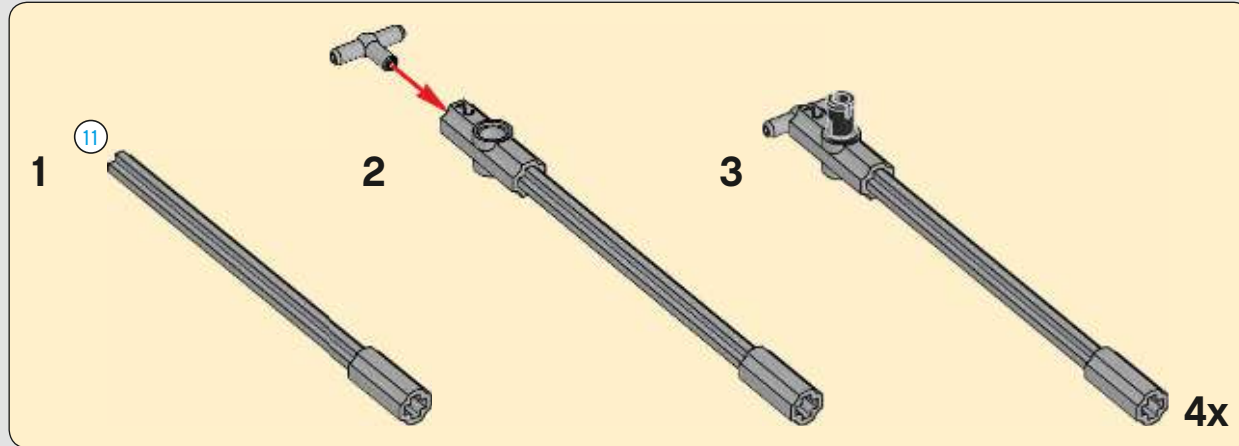
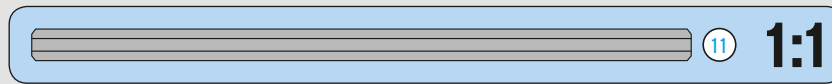


4x

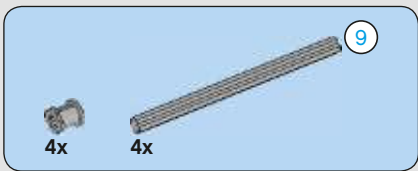




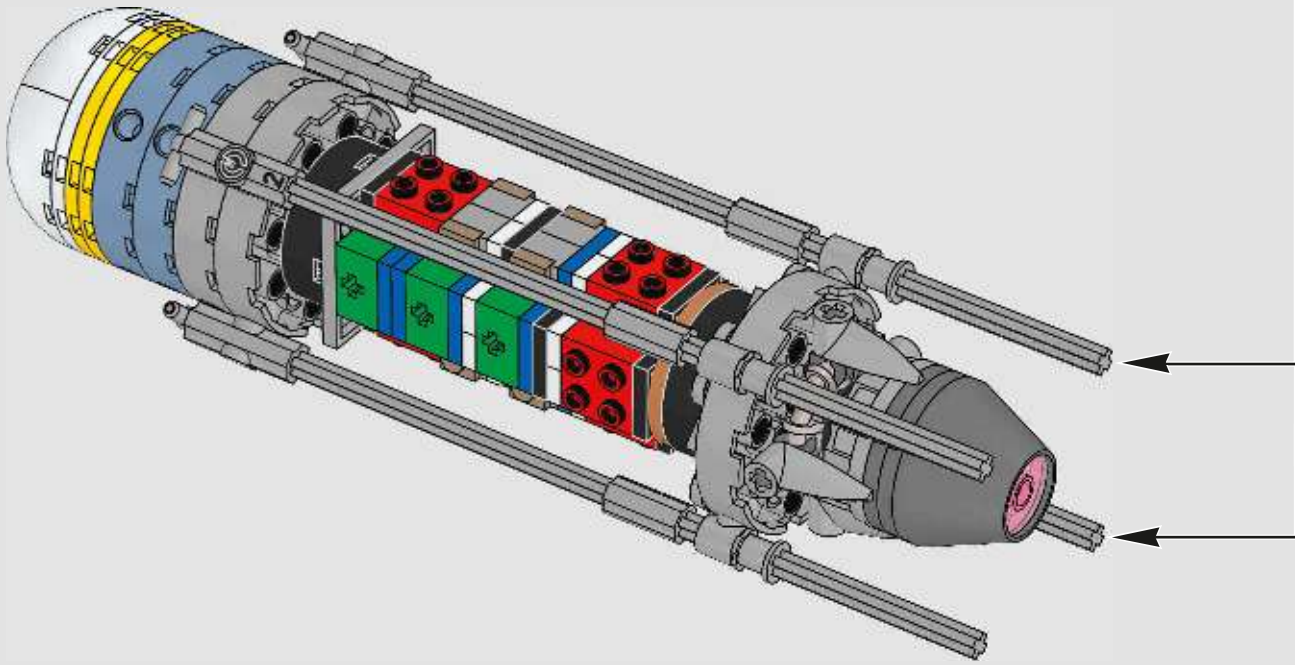
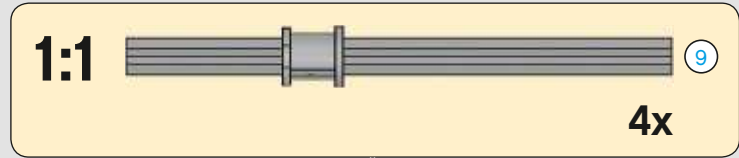
244

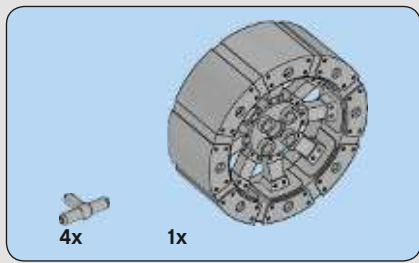




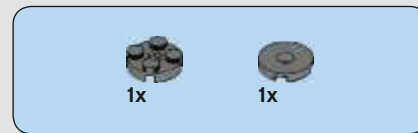
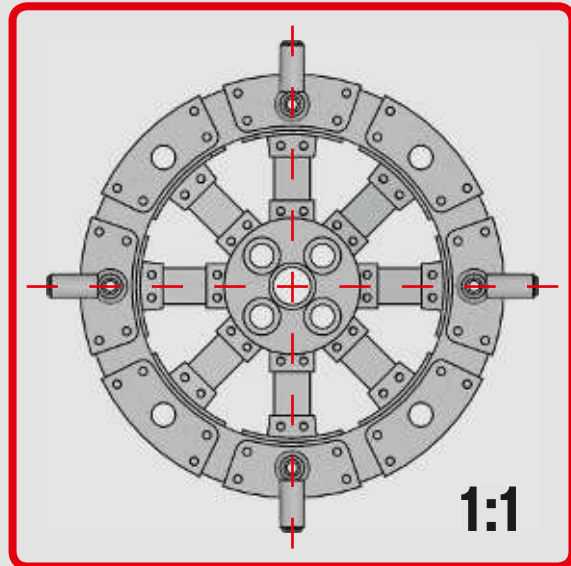
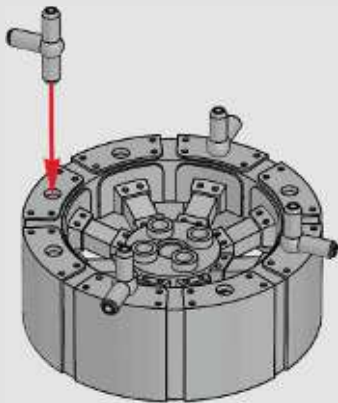


245

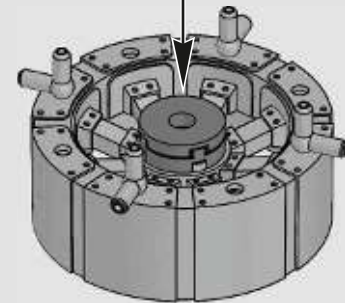
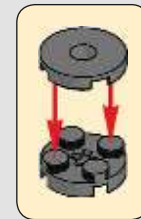


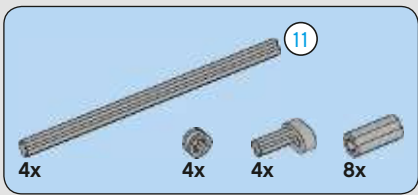


246

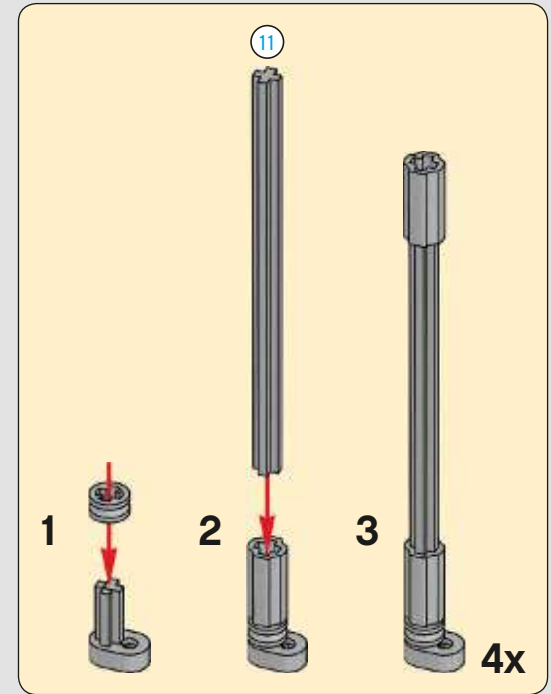
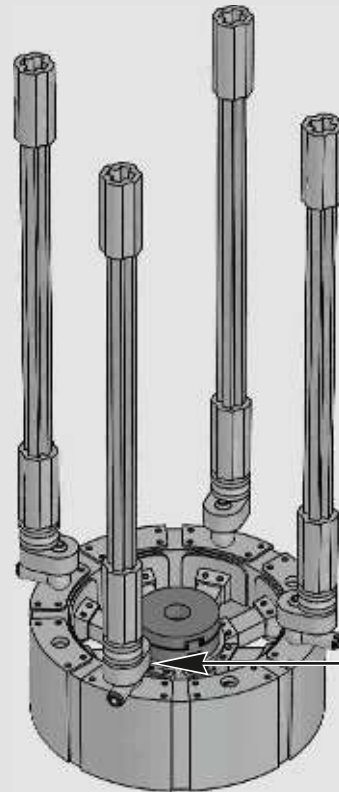
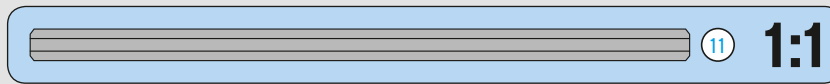


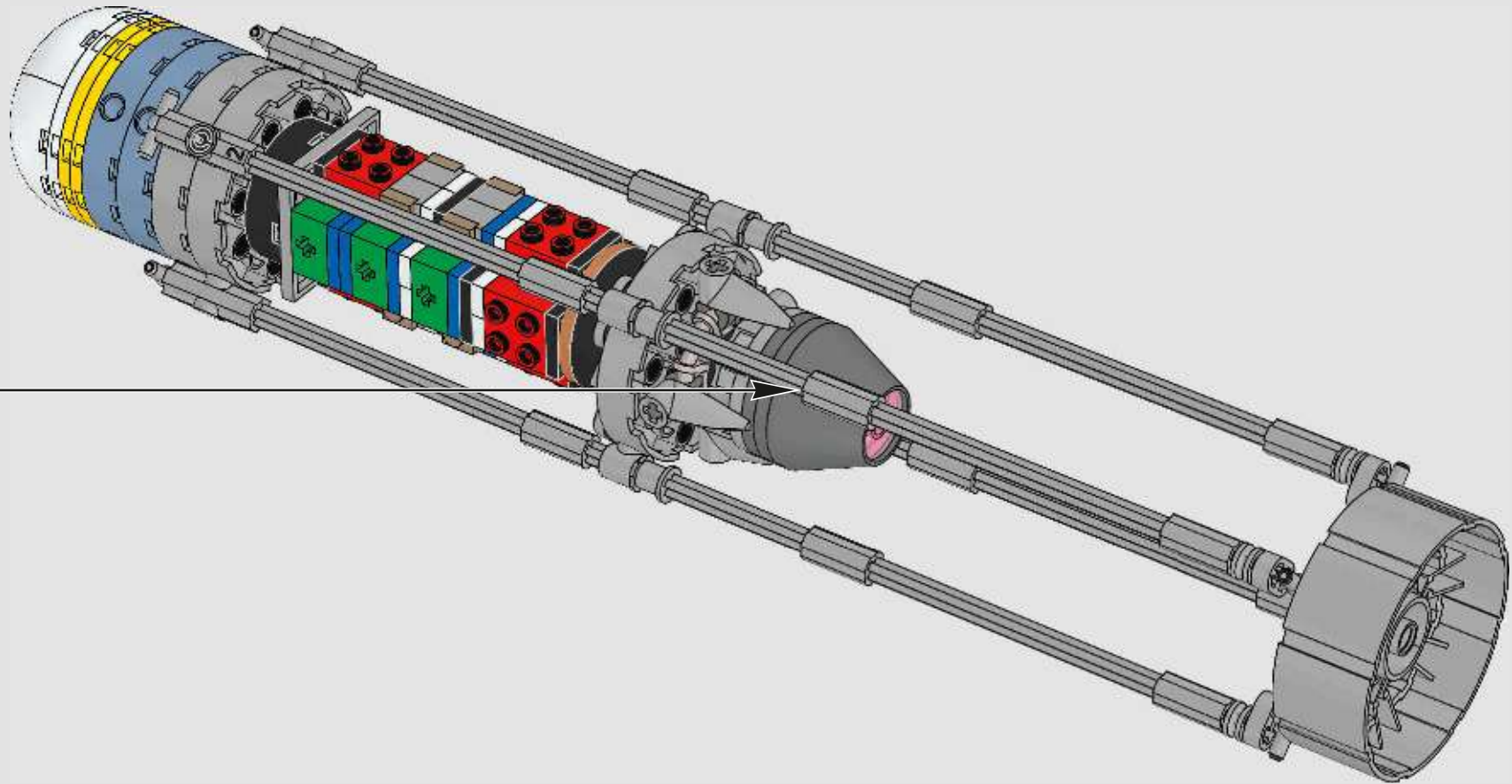
247





248

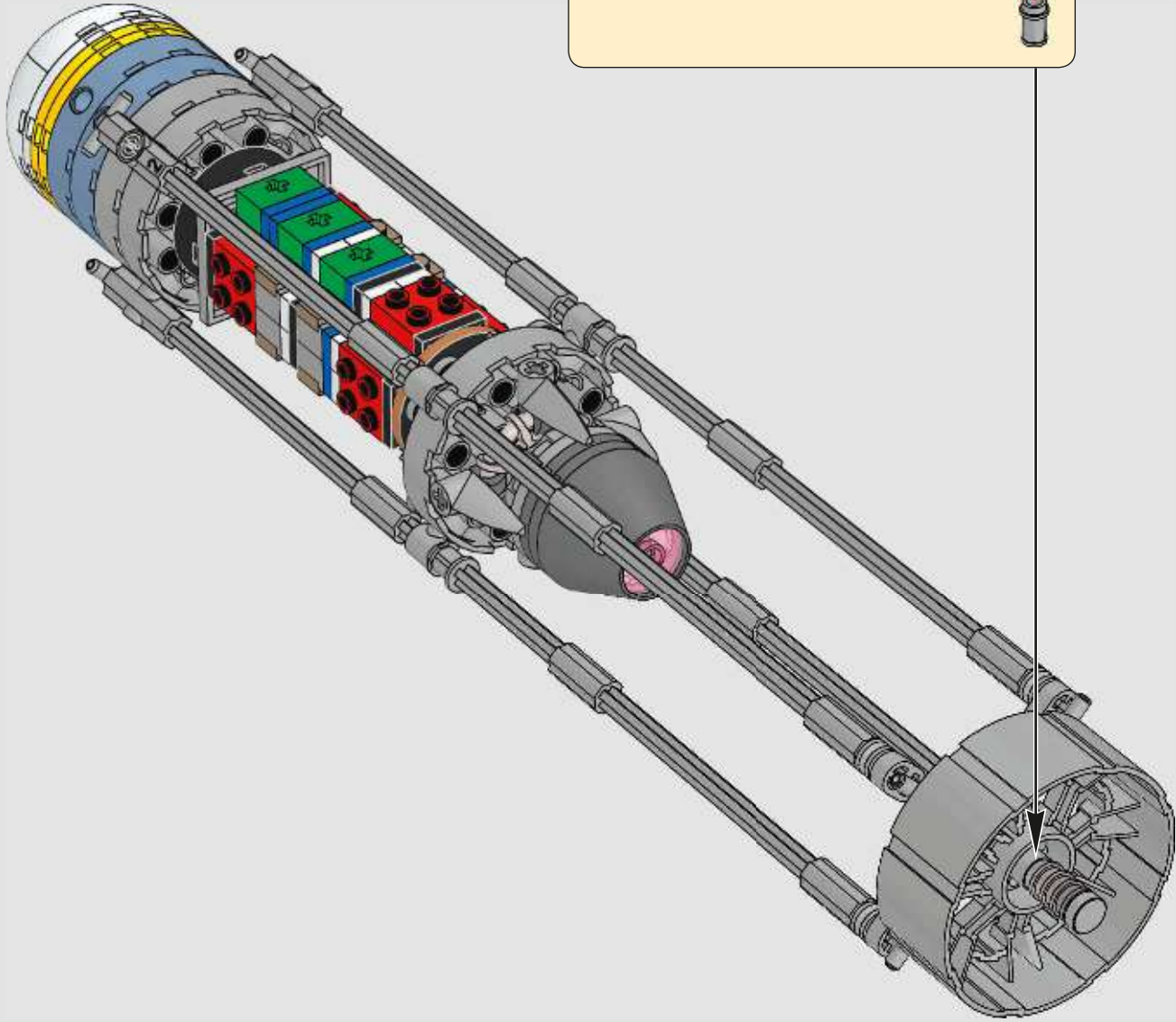


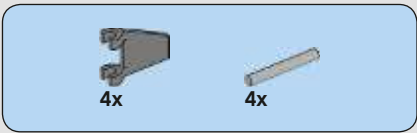


1x 4x 1x

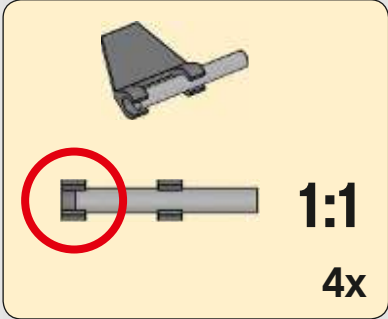
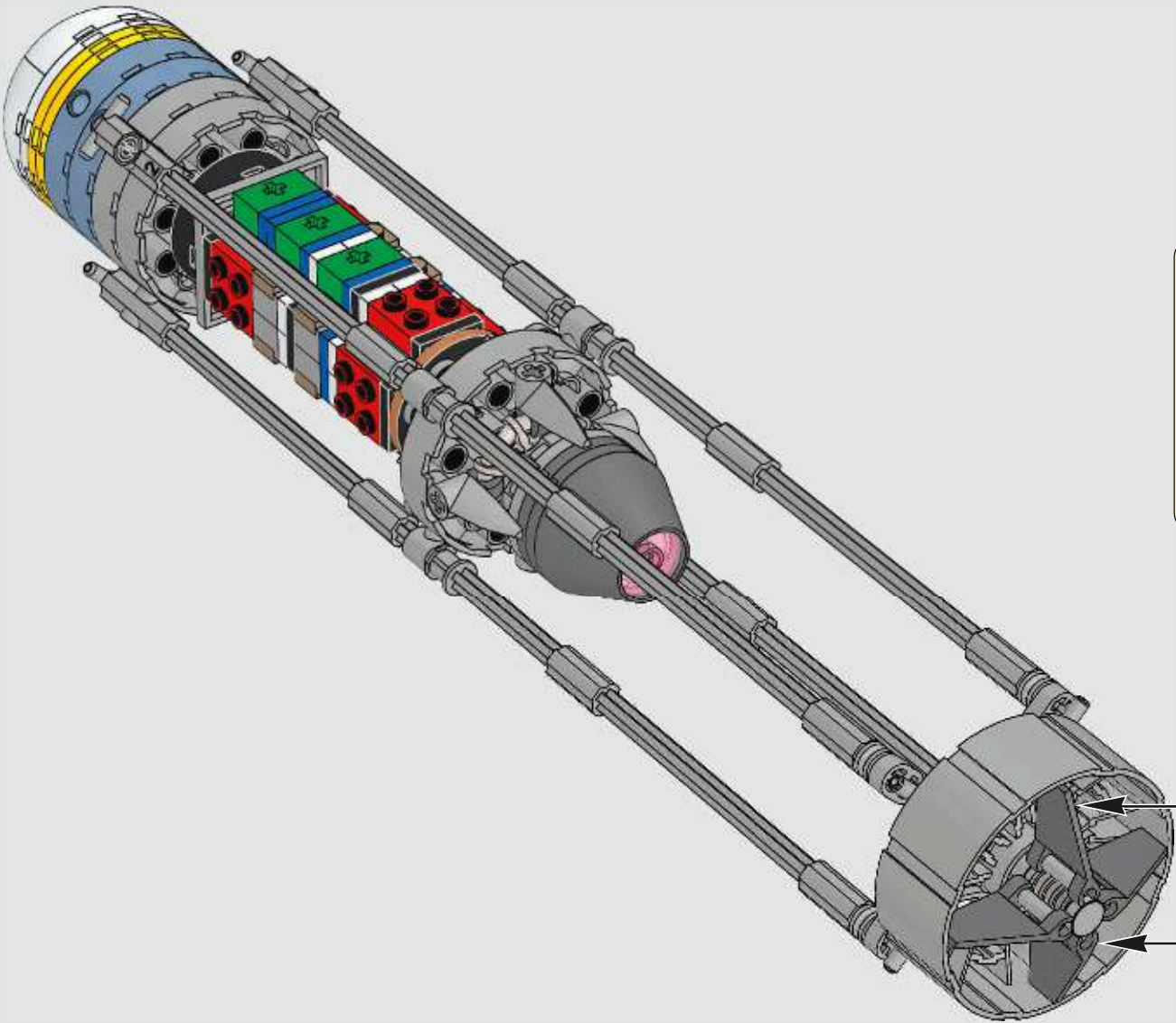
250

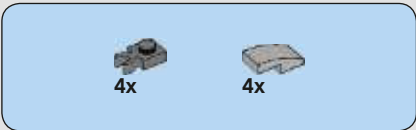
1 2 3 4



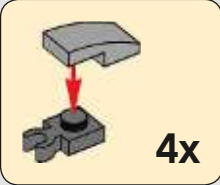
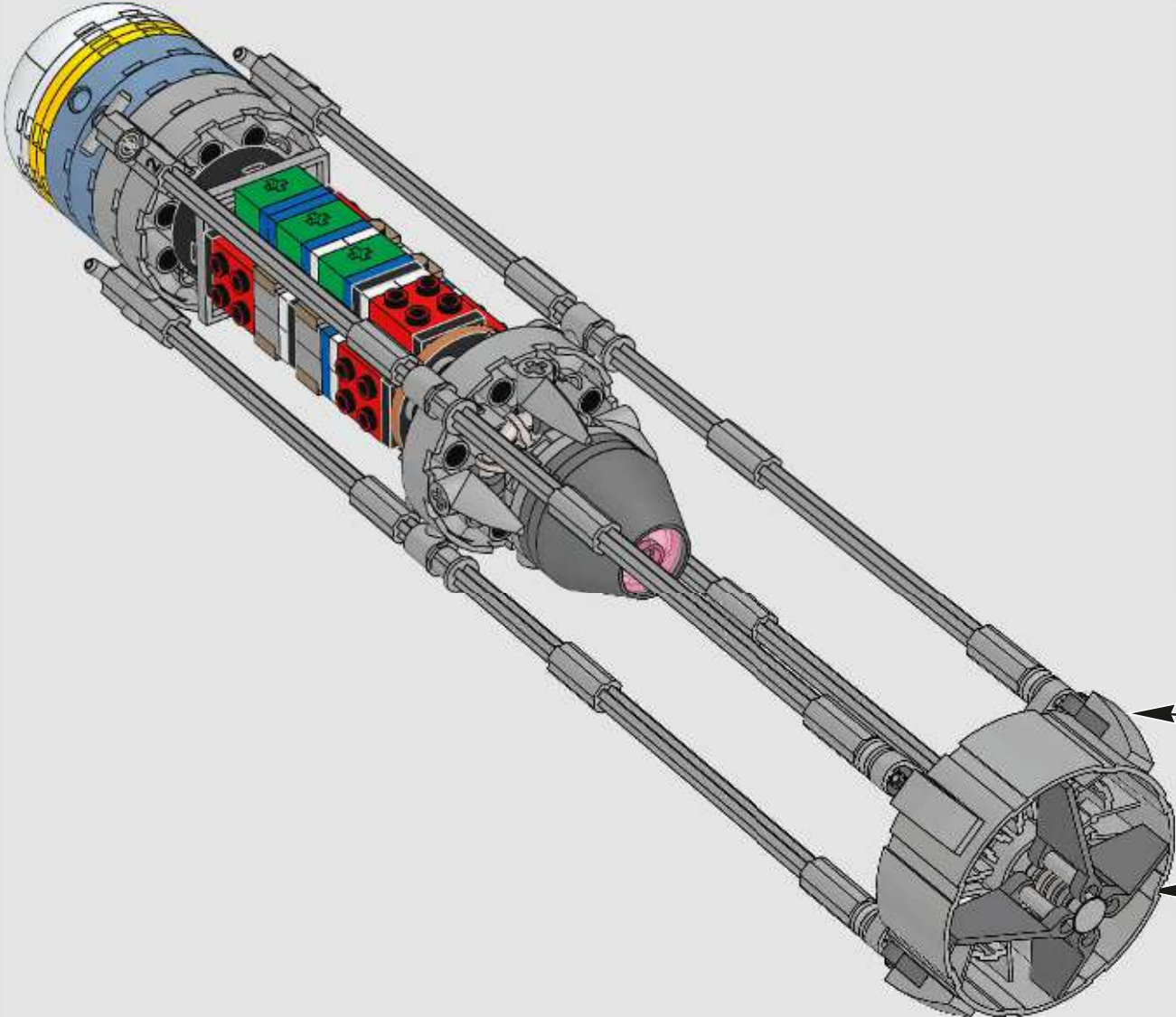


251



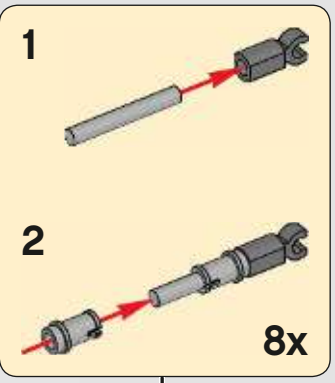
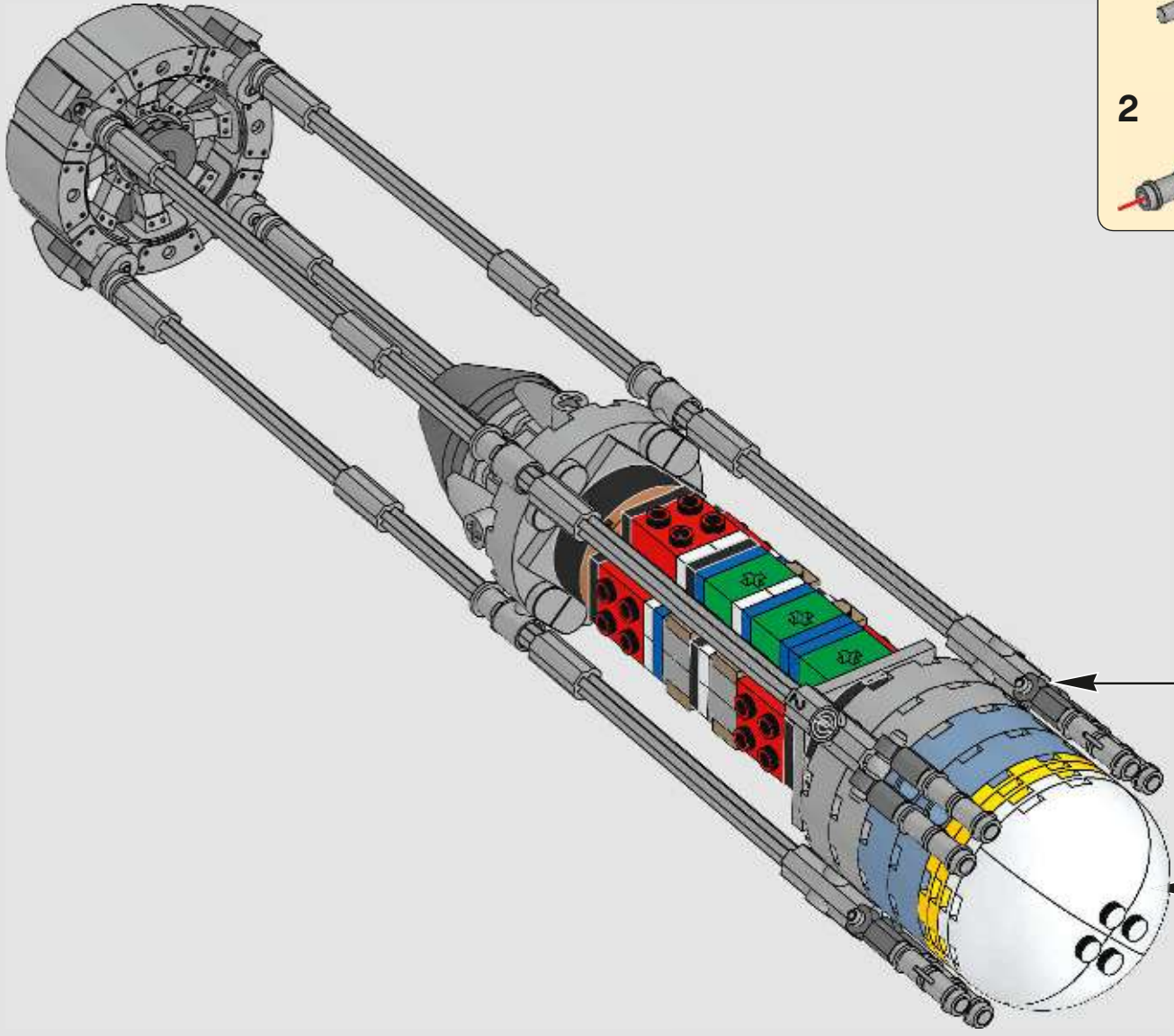


252



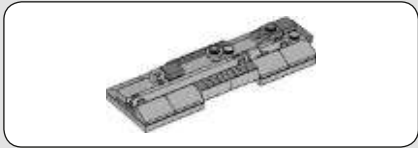
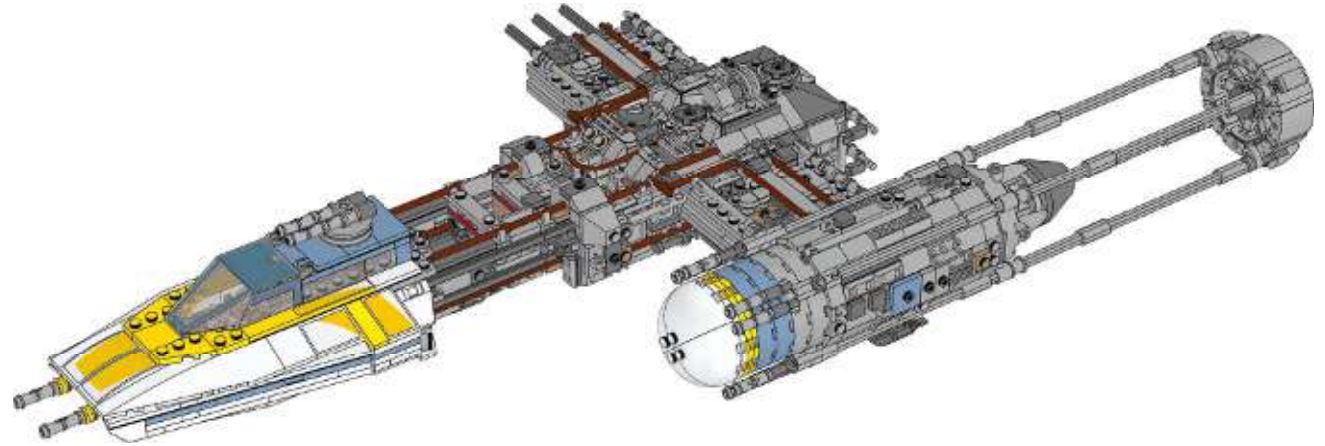


253

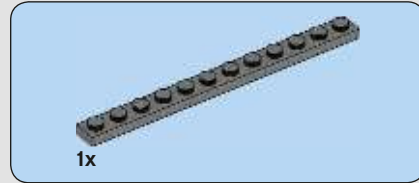
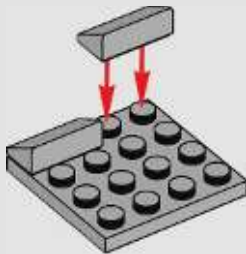


2x

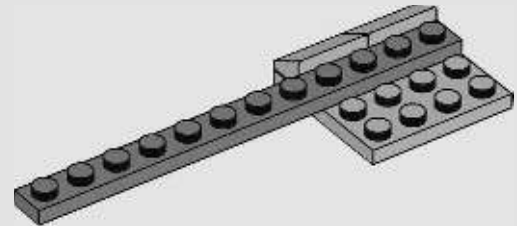


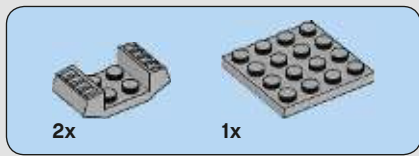


**254**

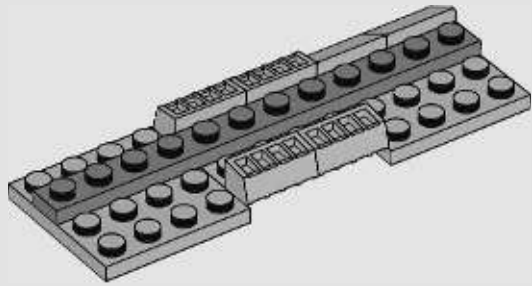


**255**

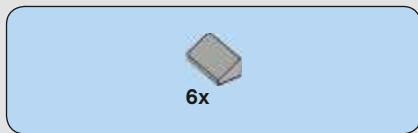
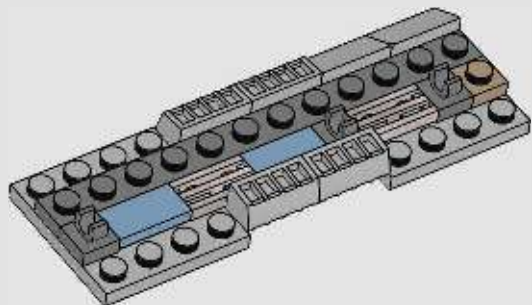




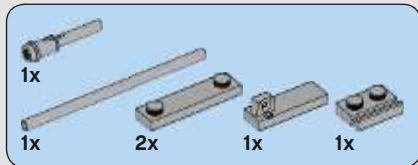
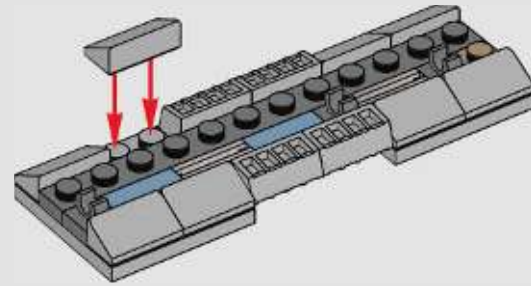
256



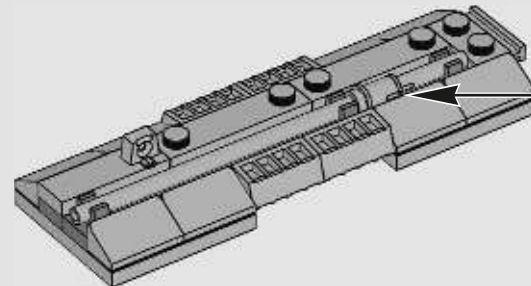
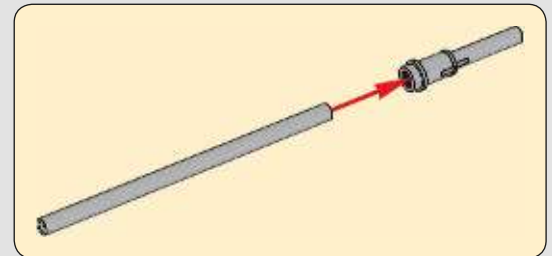
257



258

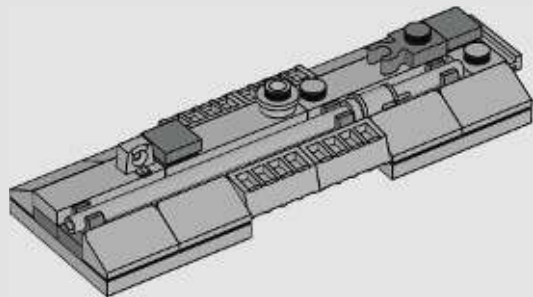


259

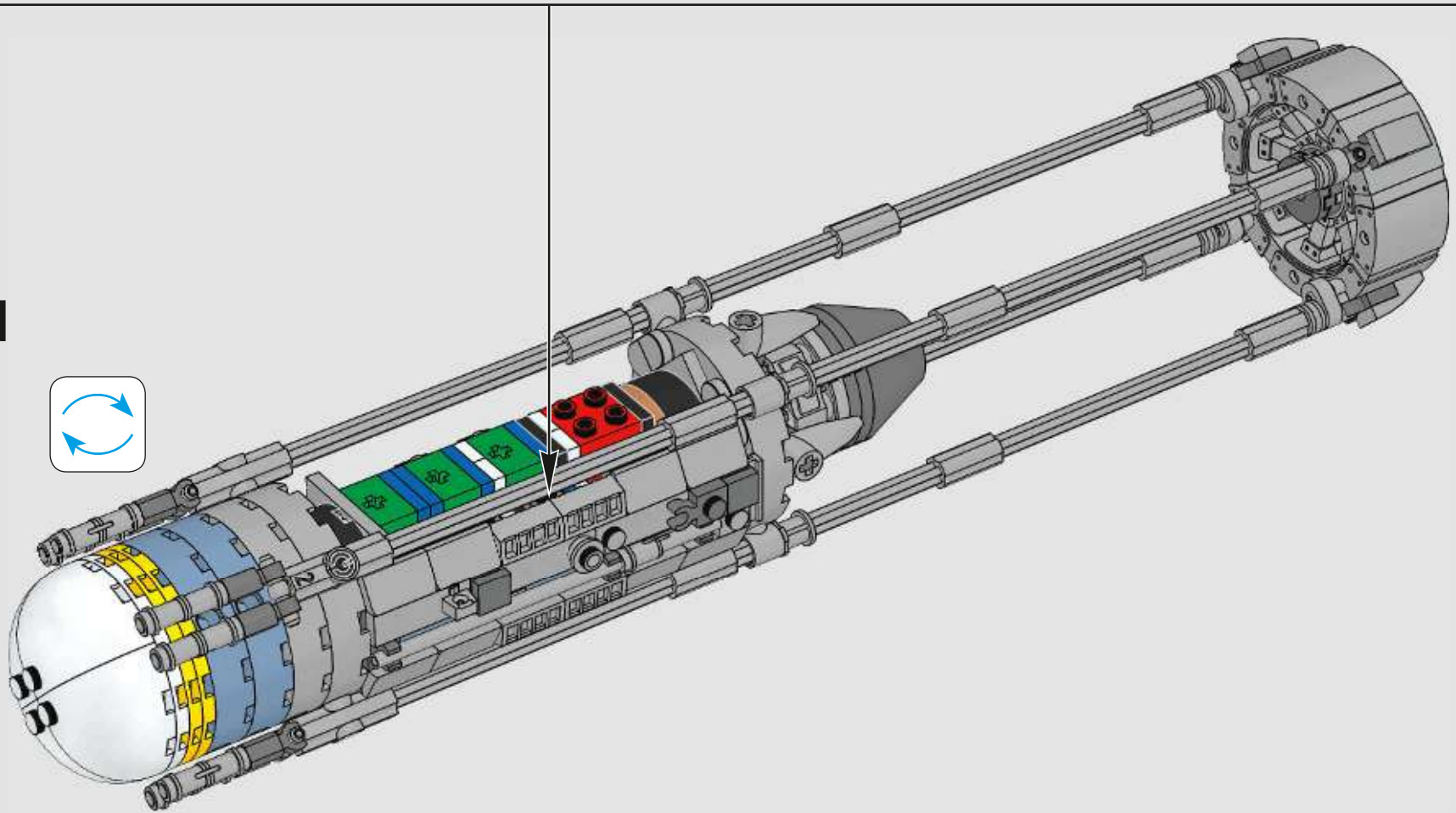
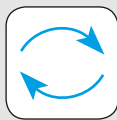


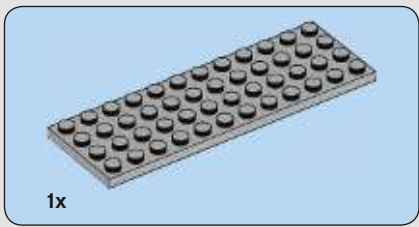
2x 1x 1x

260

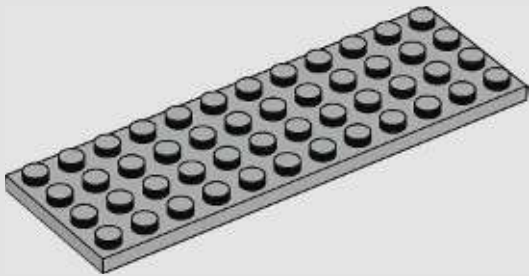


261

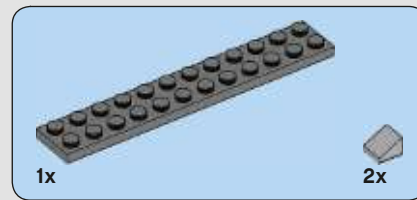
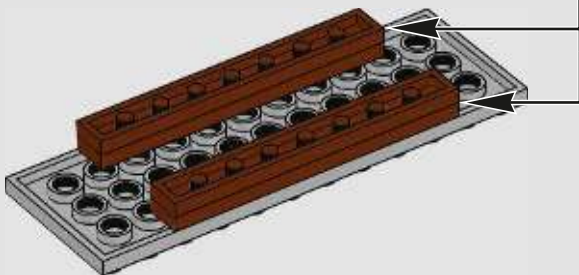
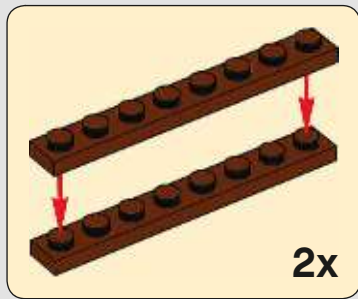




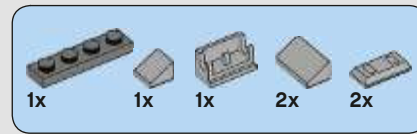
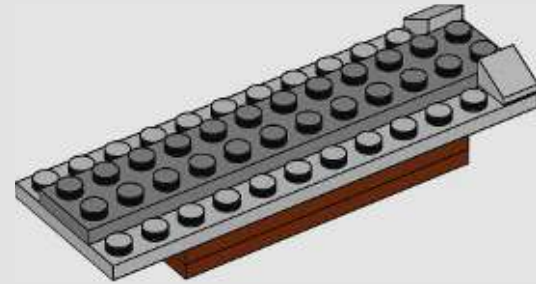
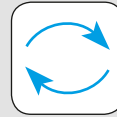
262



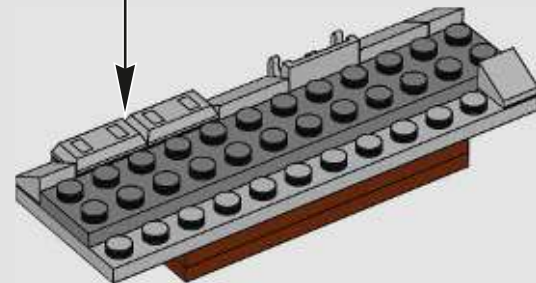
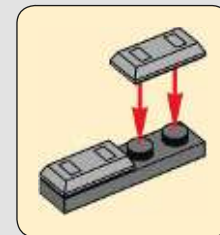
263

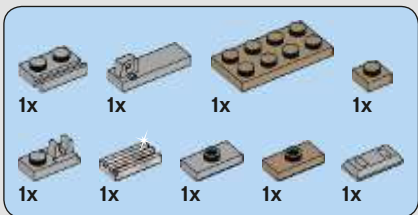


264

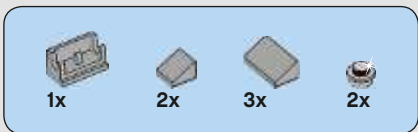
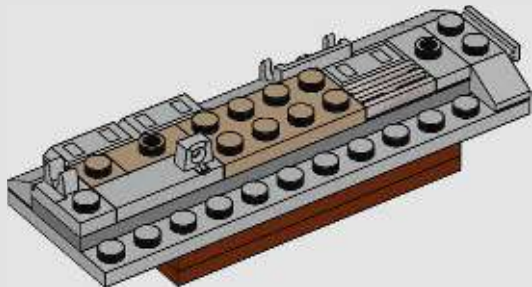


265

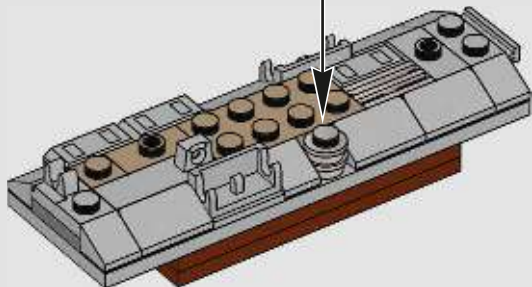




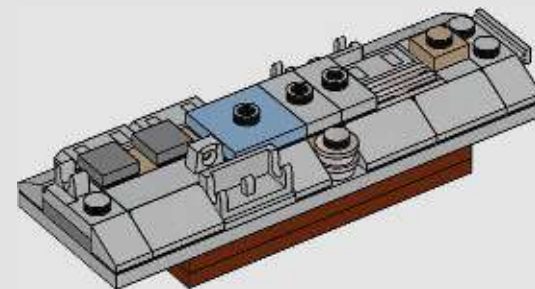
266



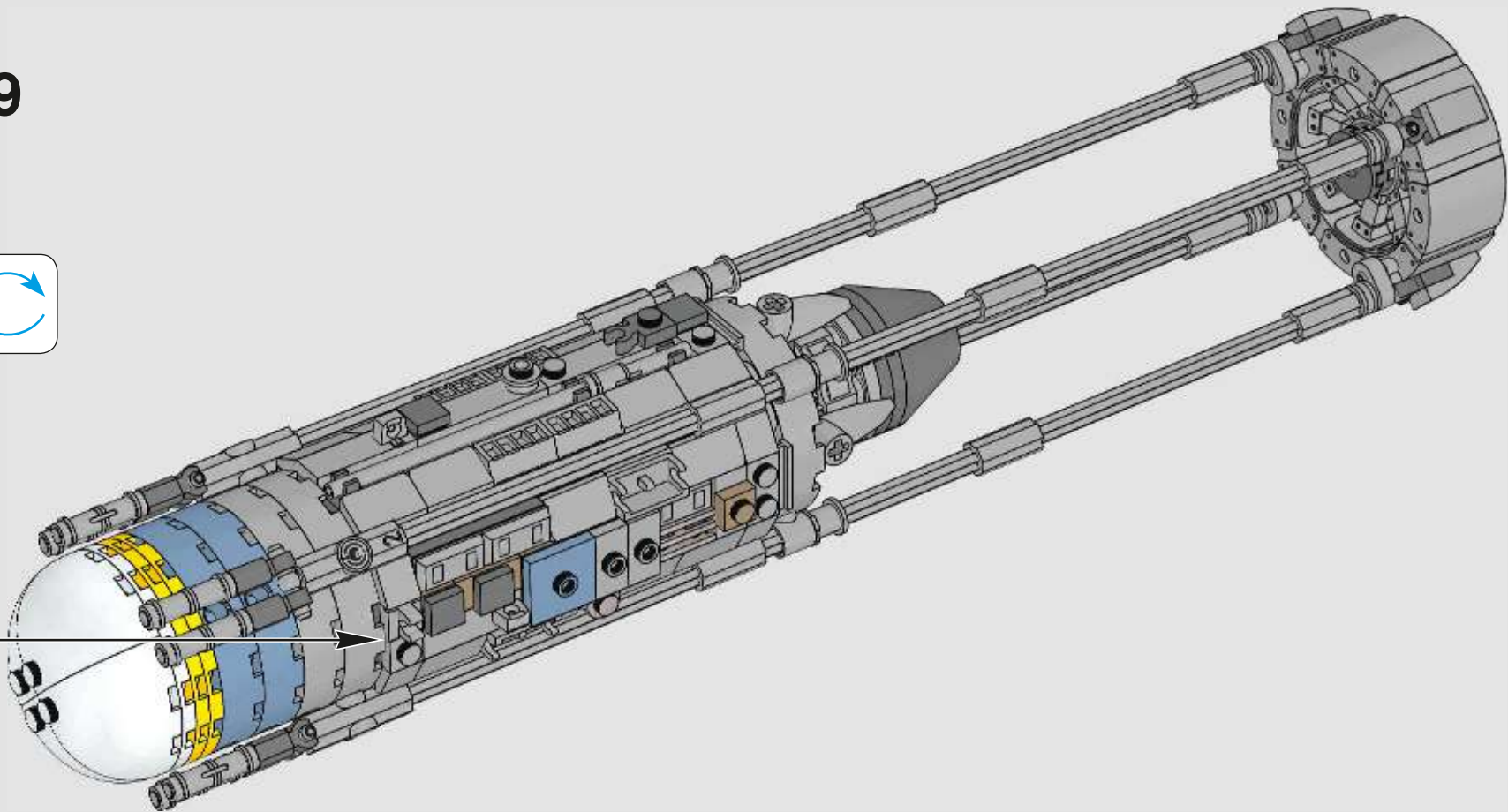
267

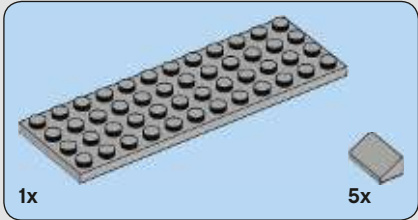


268

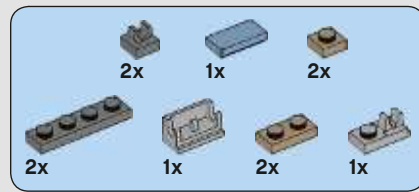
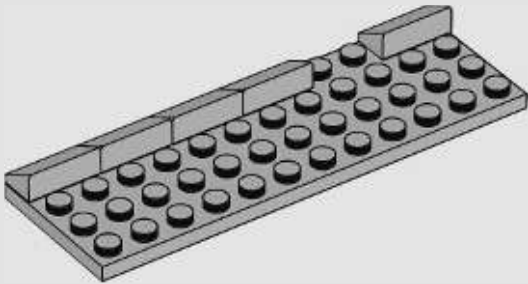


269

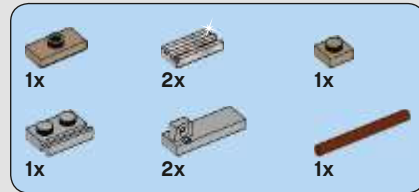
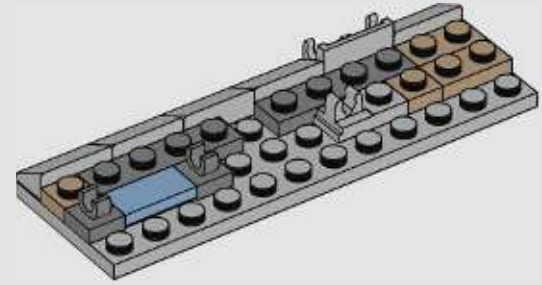




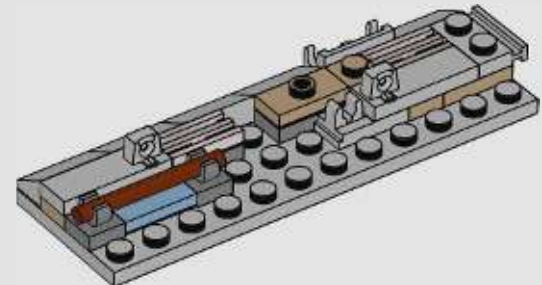
270

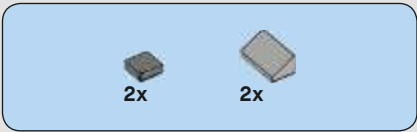


271

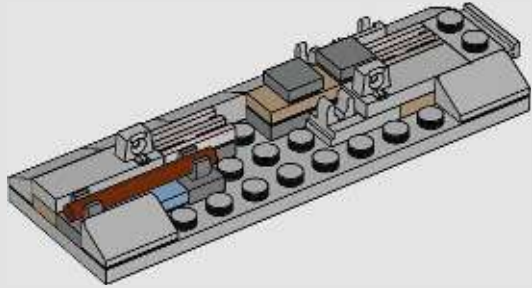


272

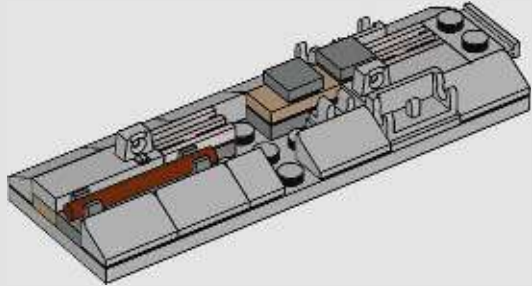




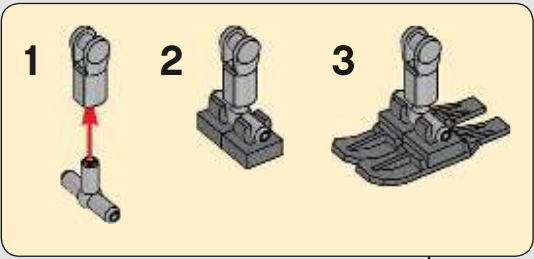
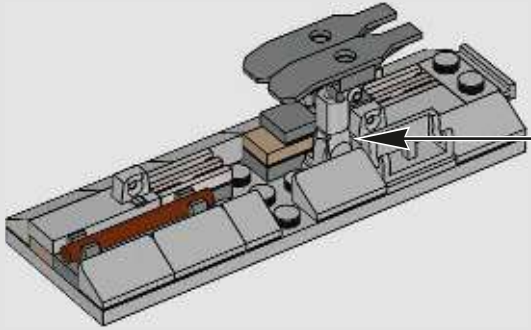
273



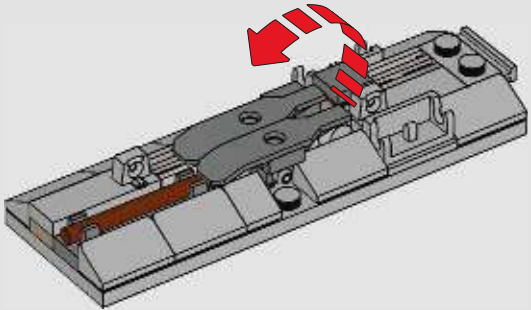
274



275

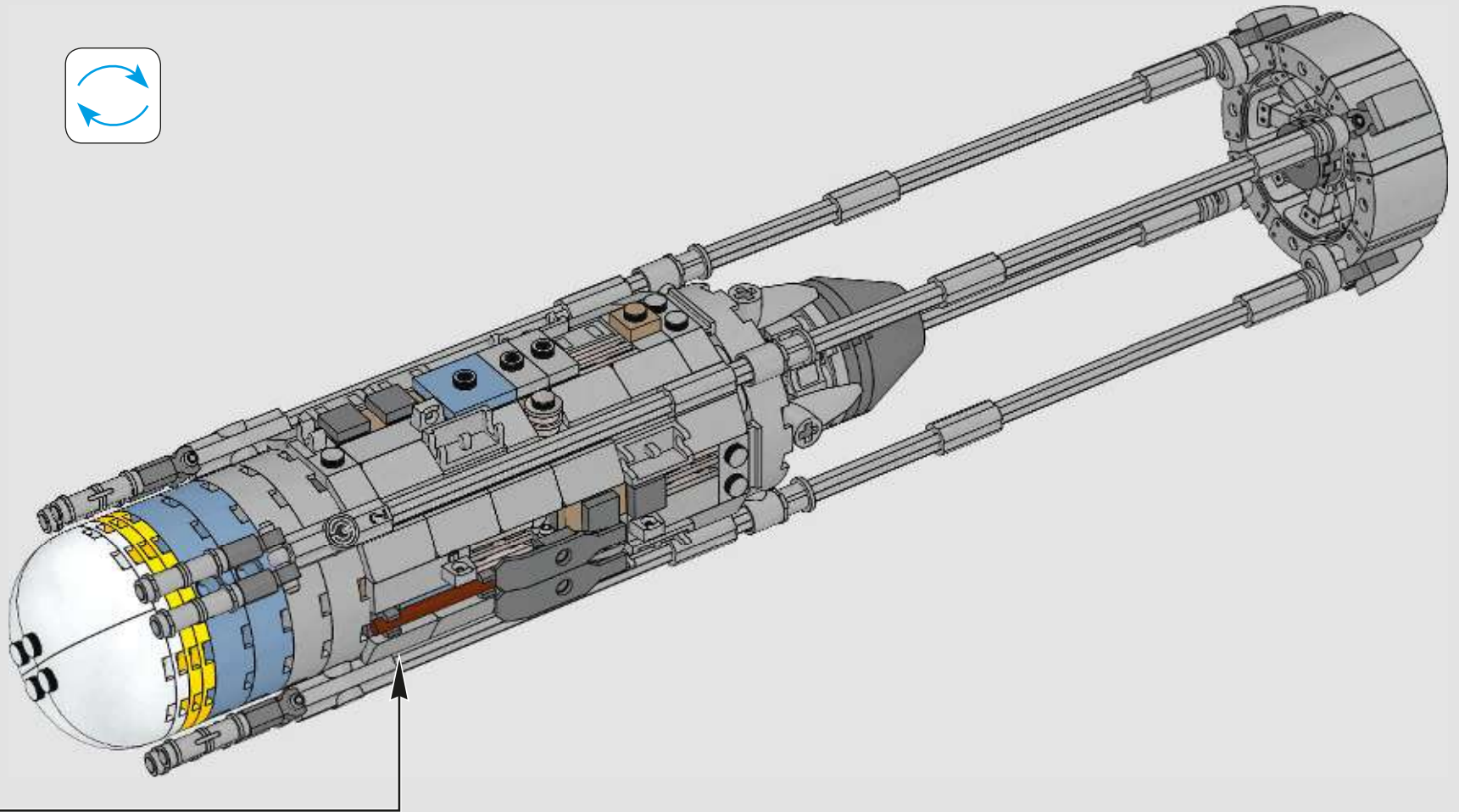


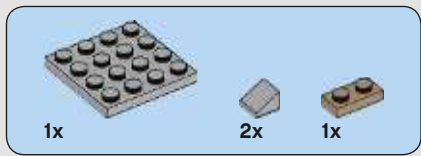
276



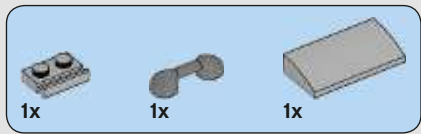
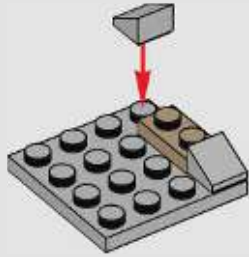


277

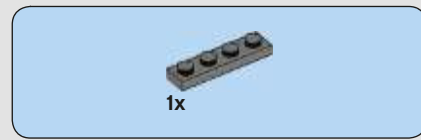
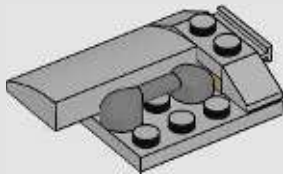




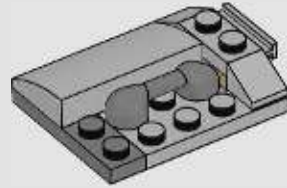
278



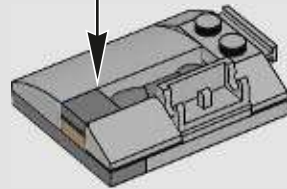
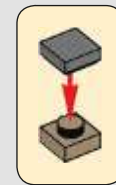
279

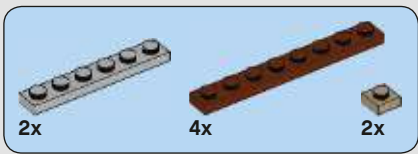


280

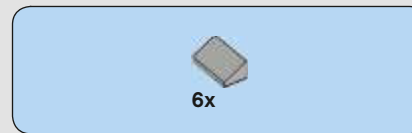
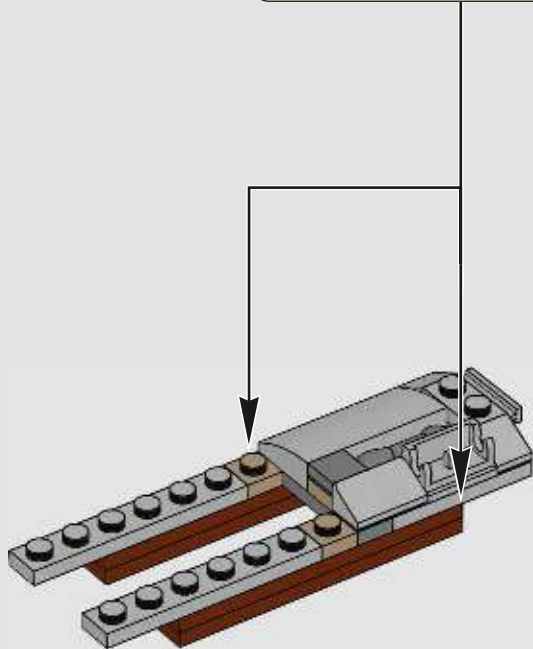
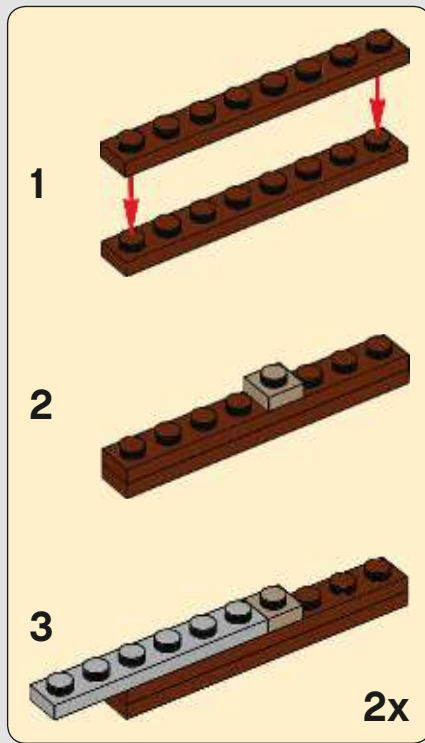


281

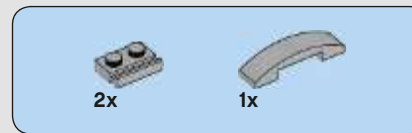
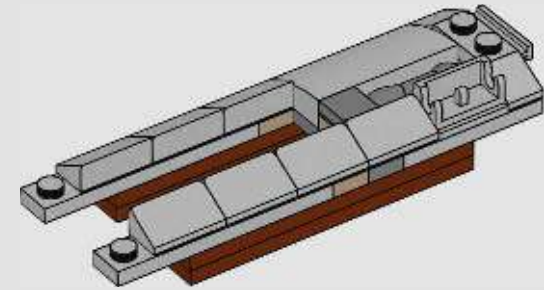




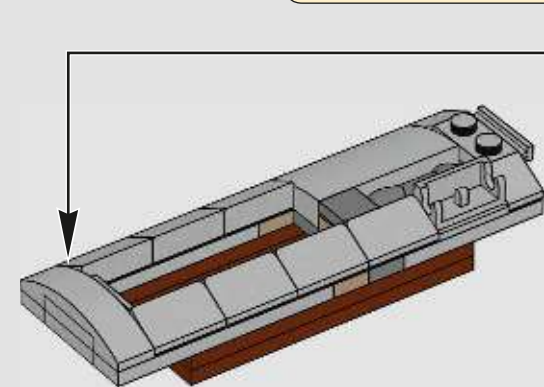
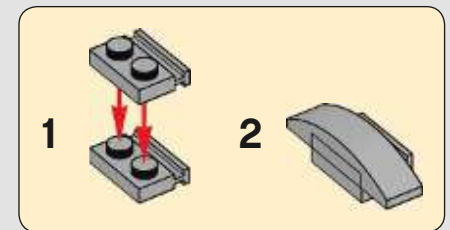
282



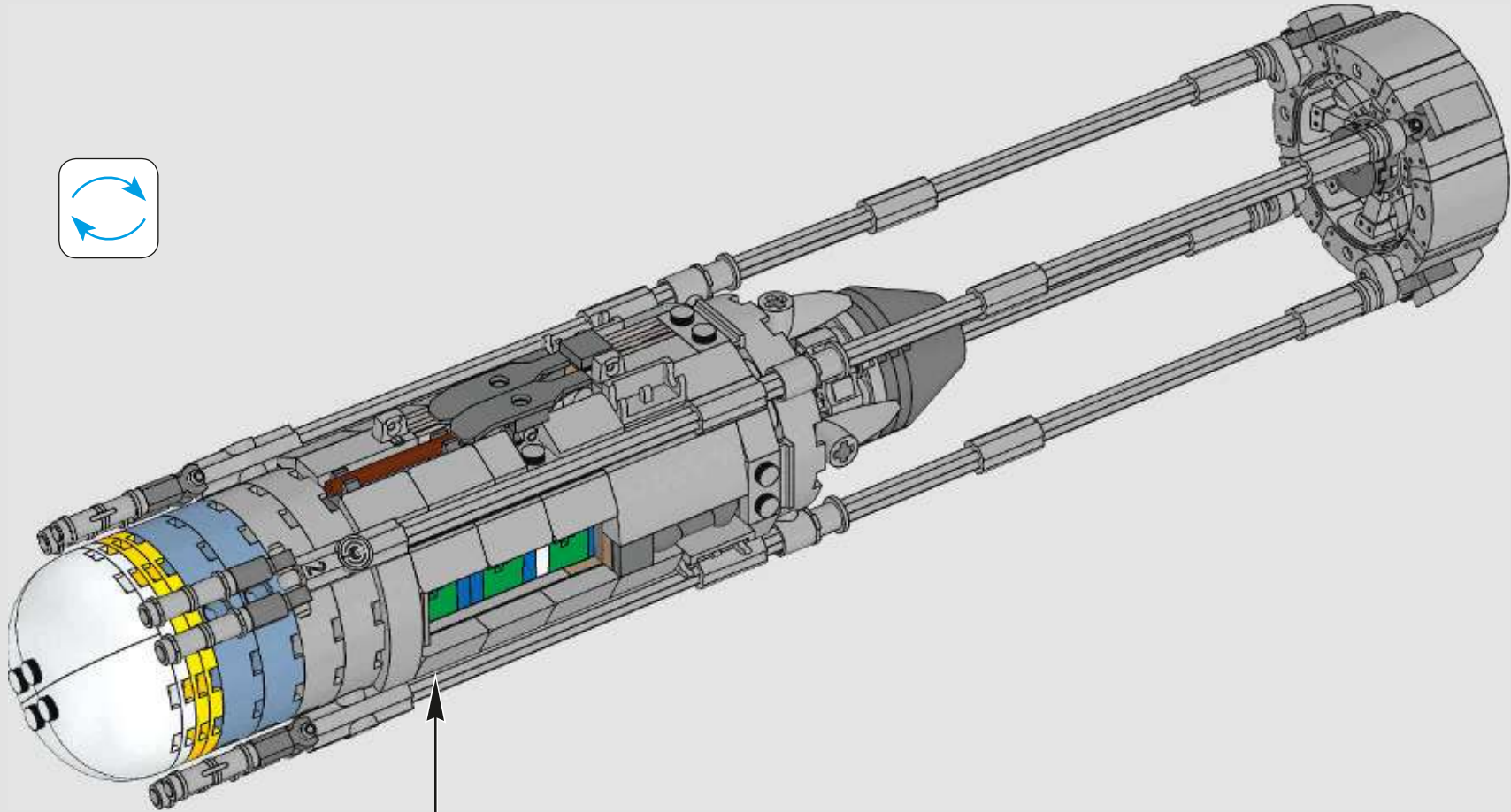
283



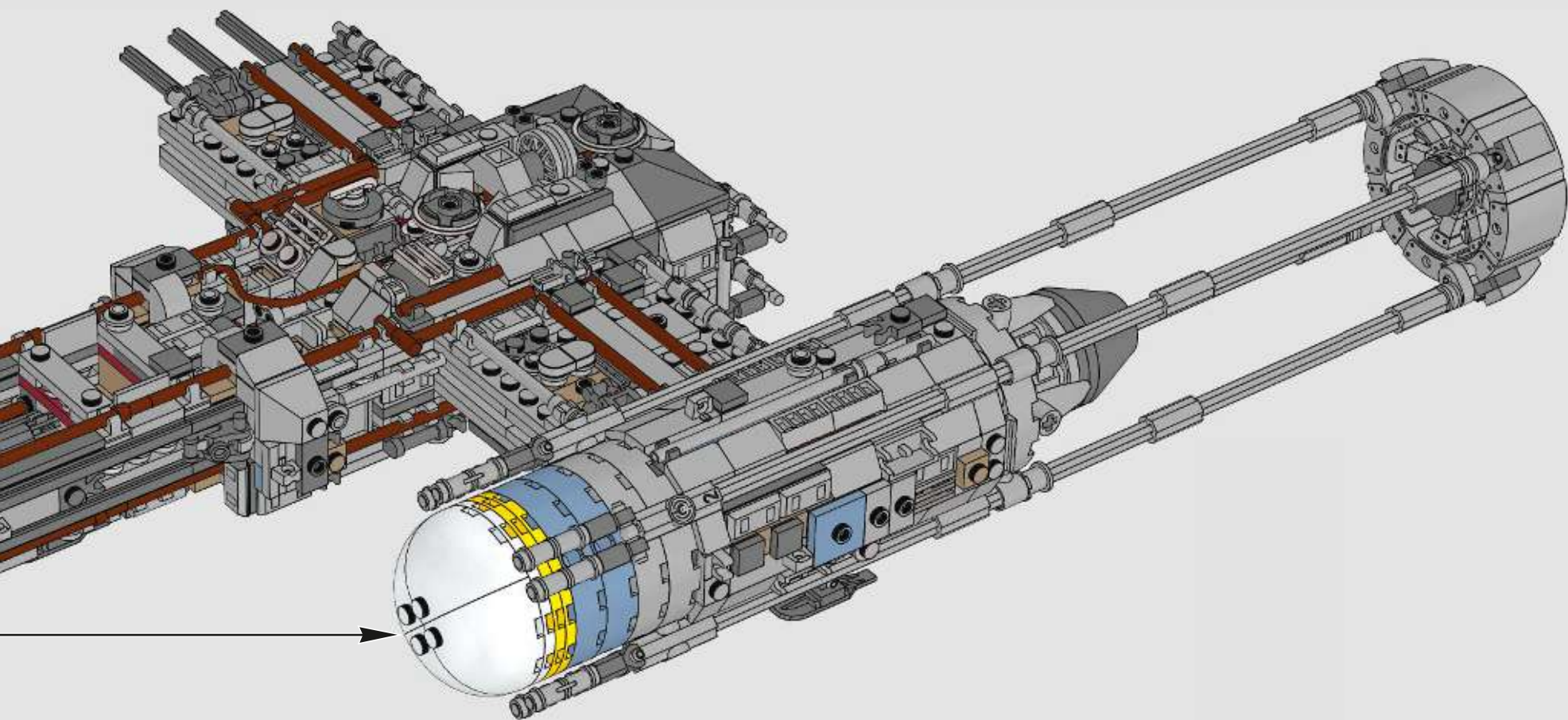
284



285

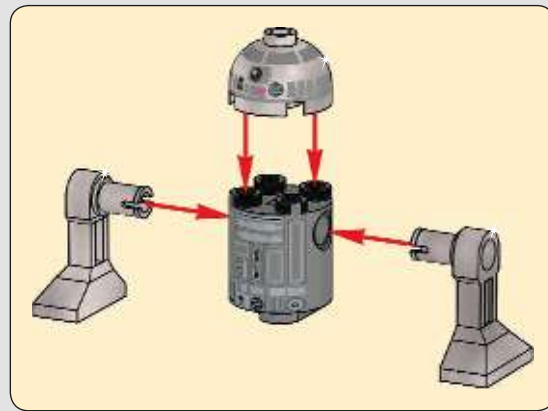
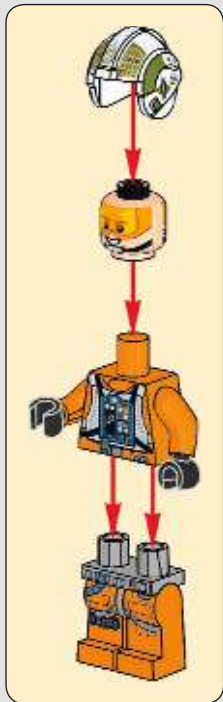
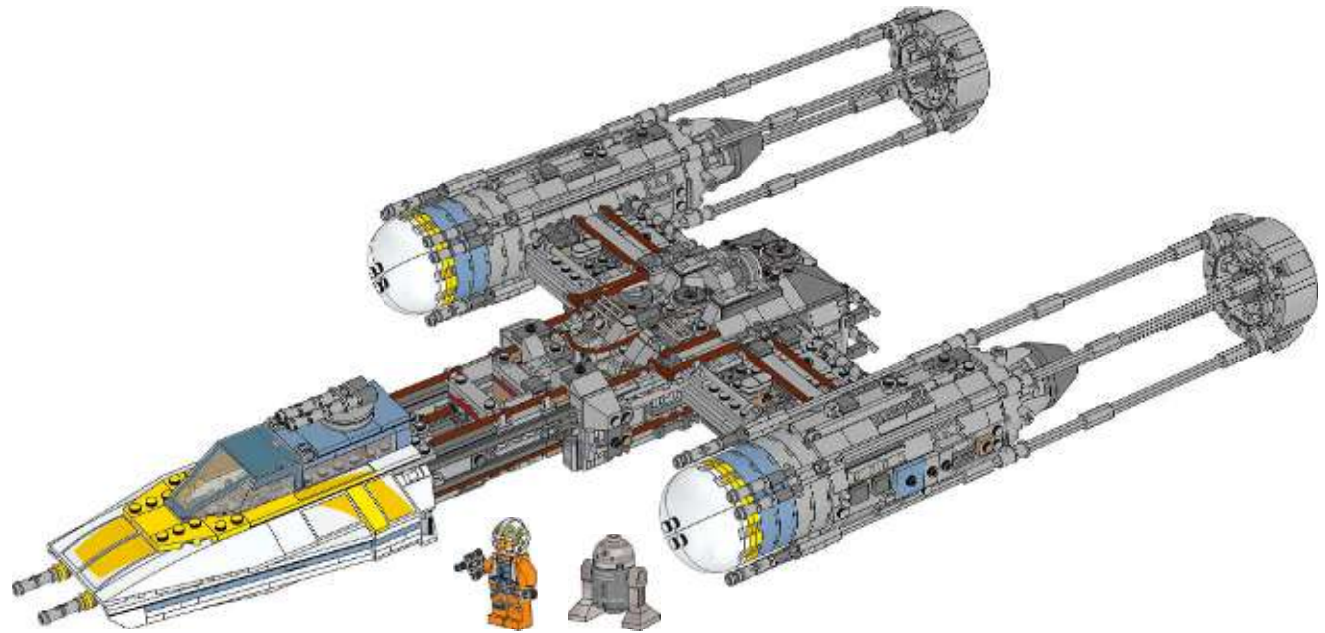


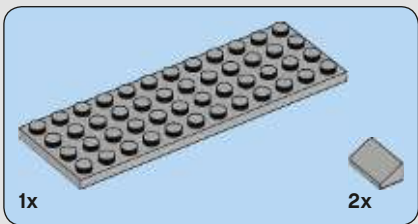
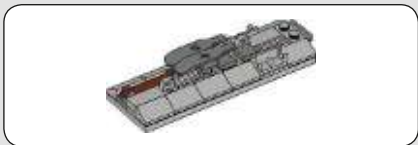
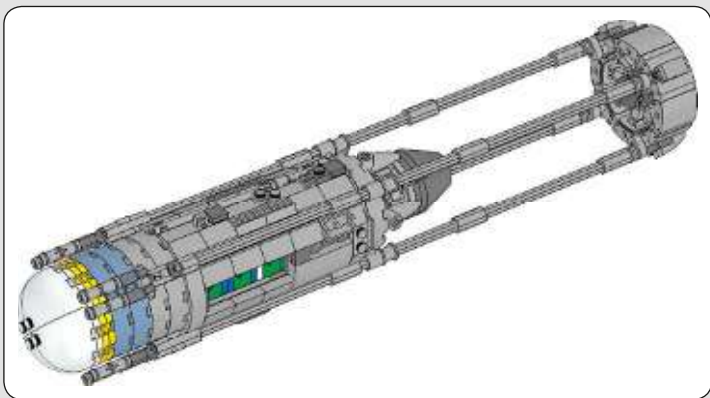
286



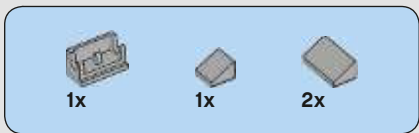
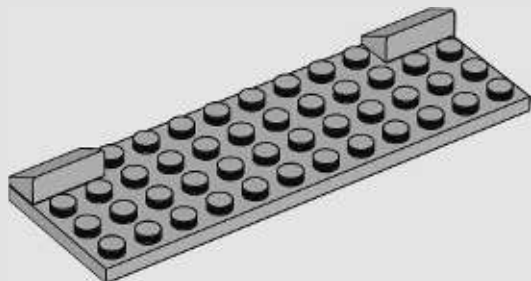


12

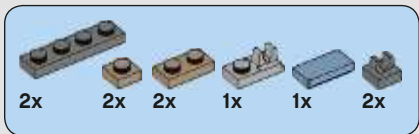
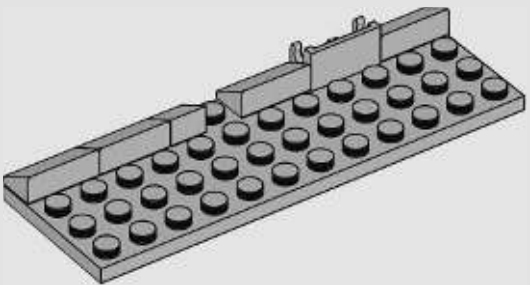




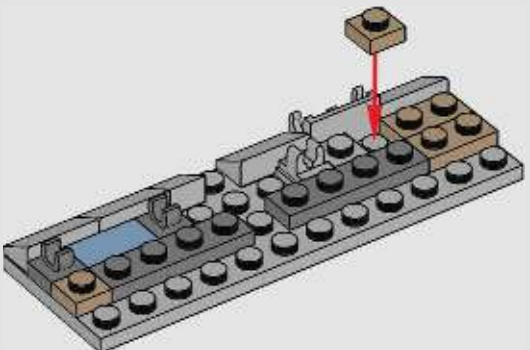
**287**

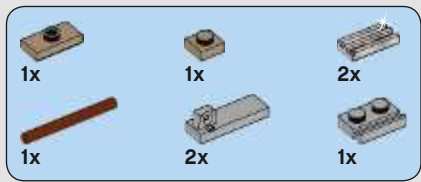


**288**

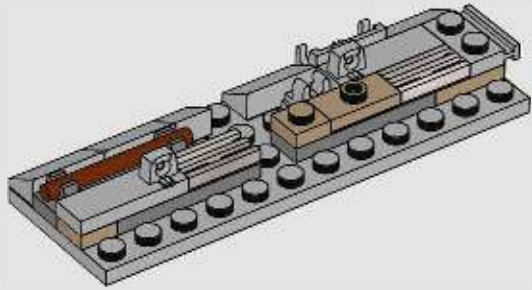


**289**

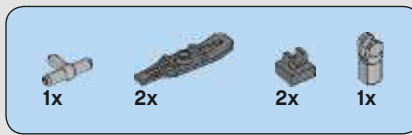
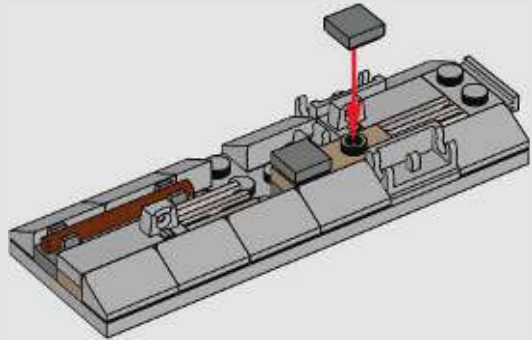




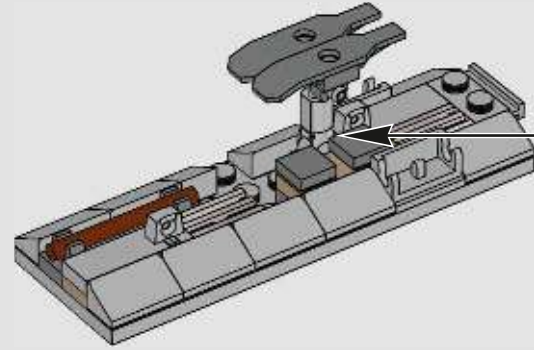
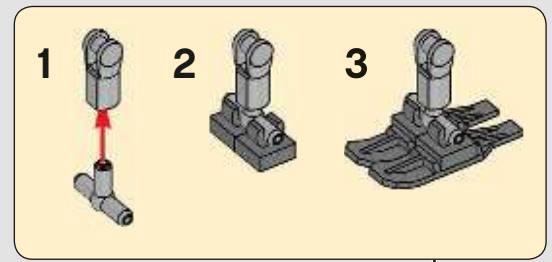
290



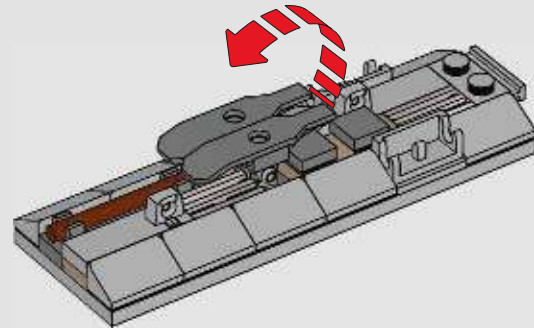
291



292

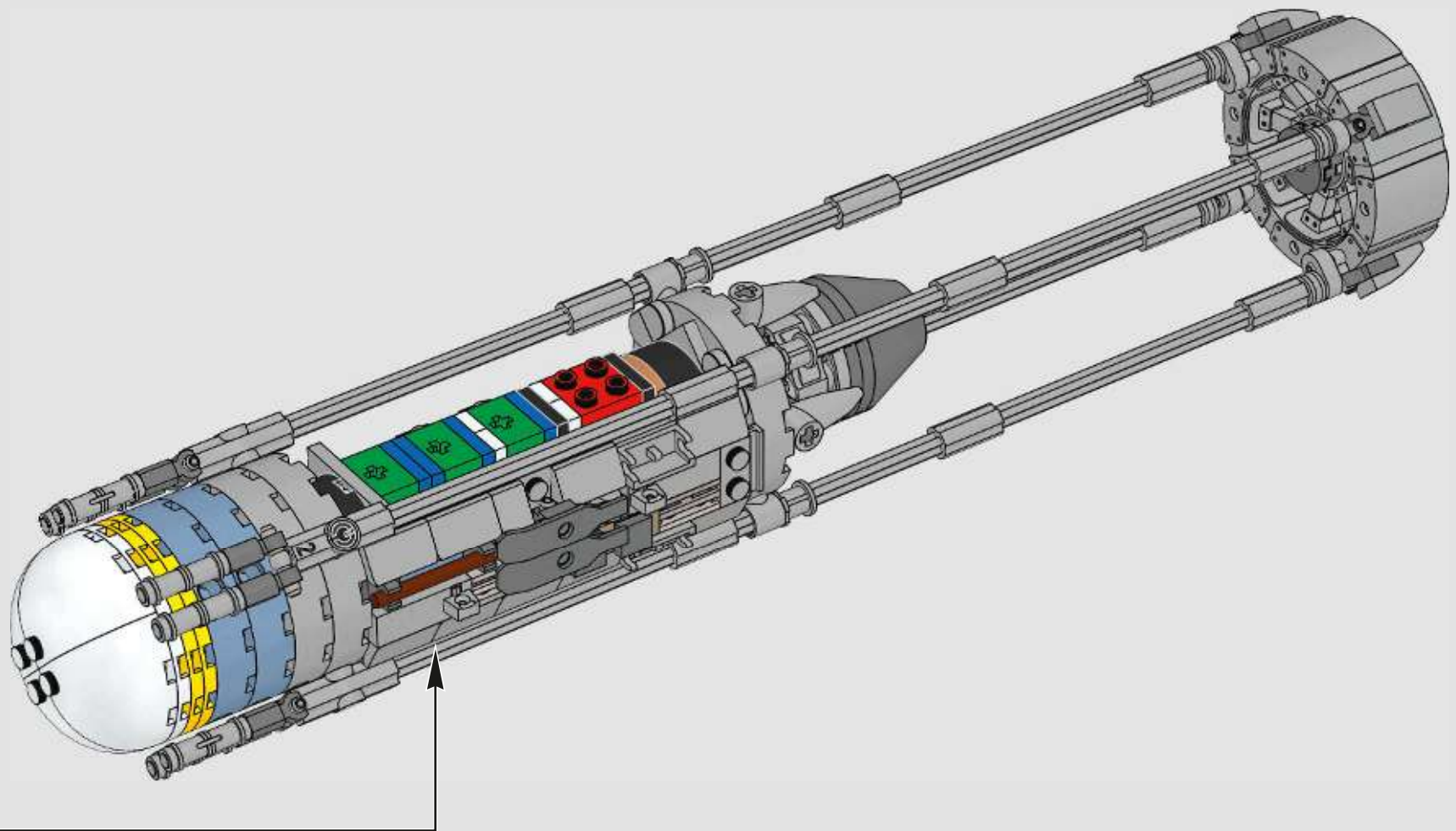


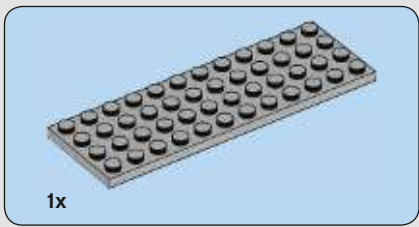
293



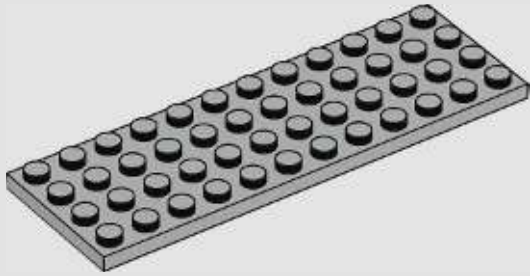


294

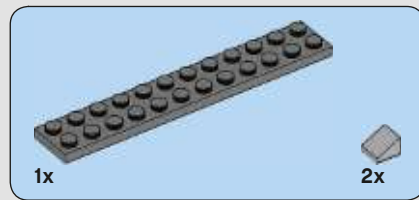
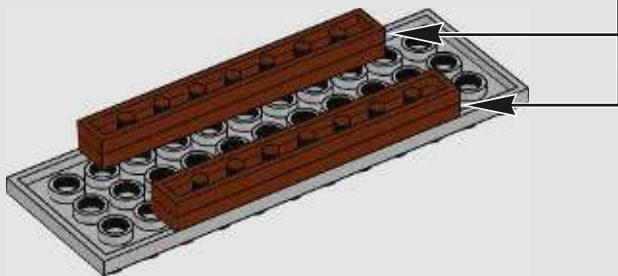
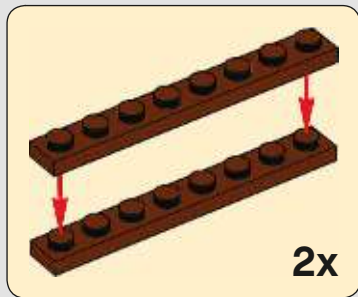




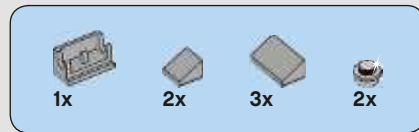
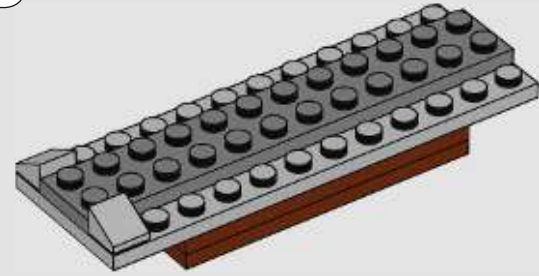
295



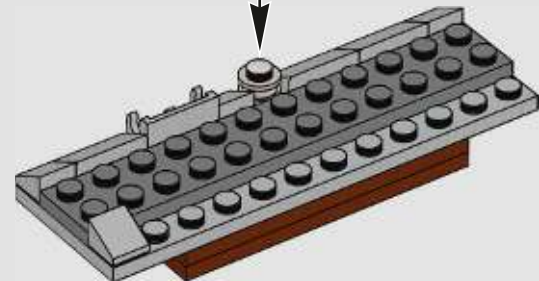
296

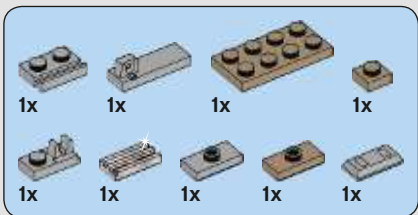


297

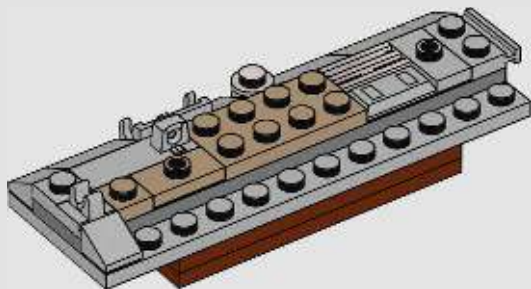


298

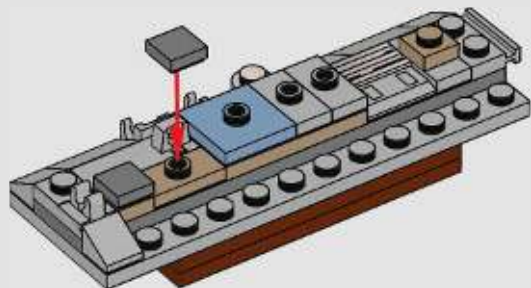




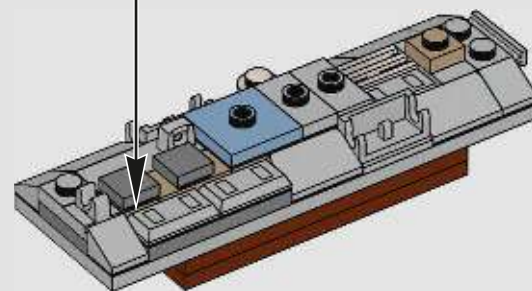
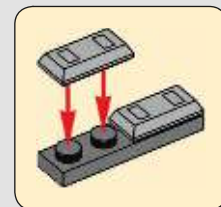
299



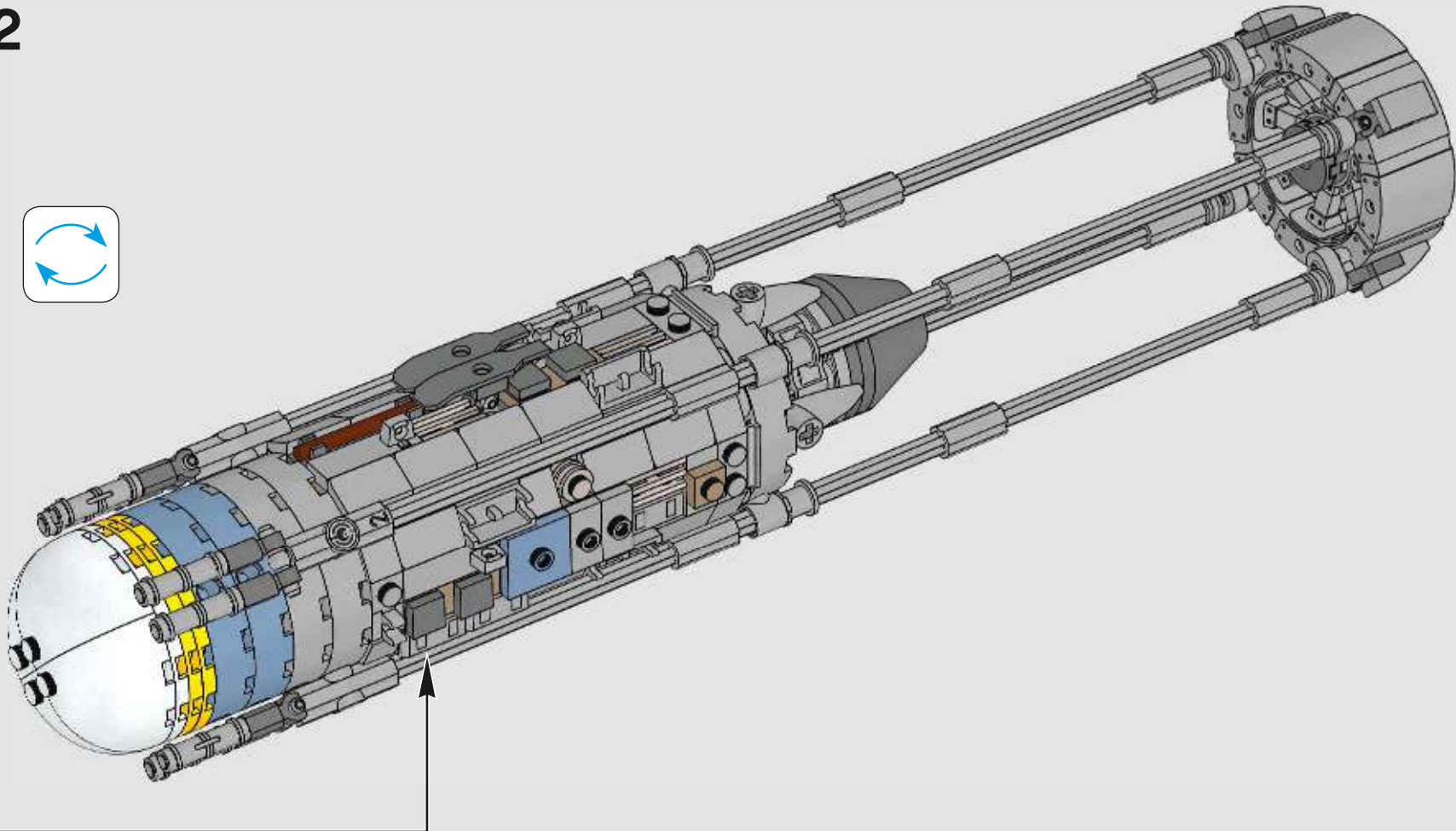
300



301

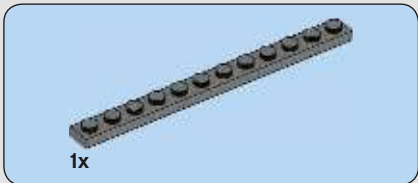
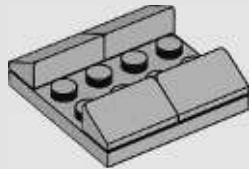


302

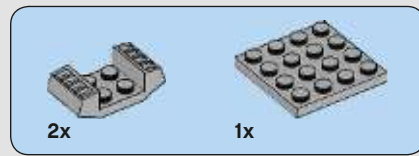
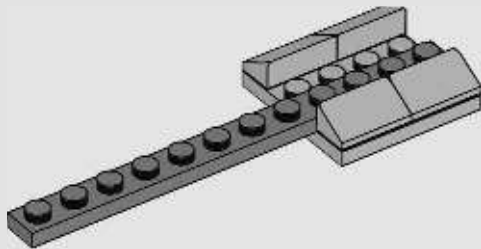




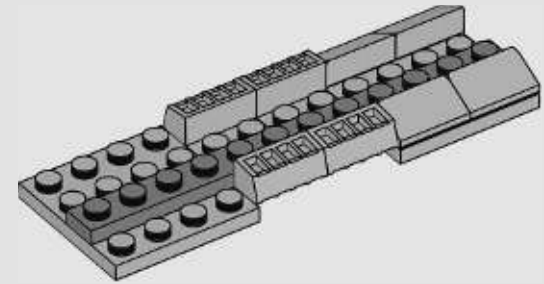
303



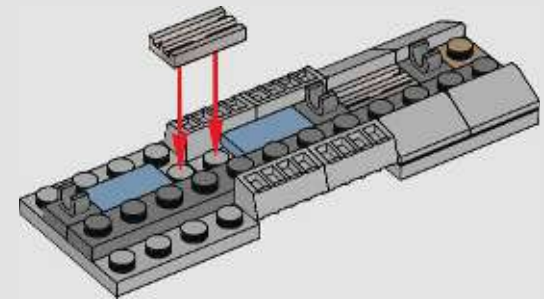
304



305



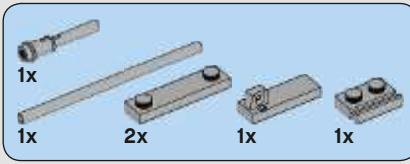
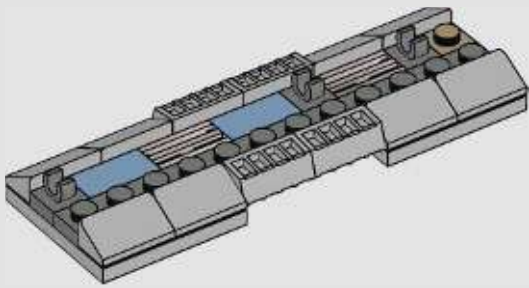
306



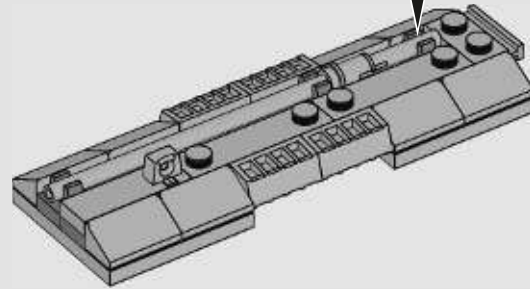
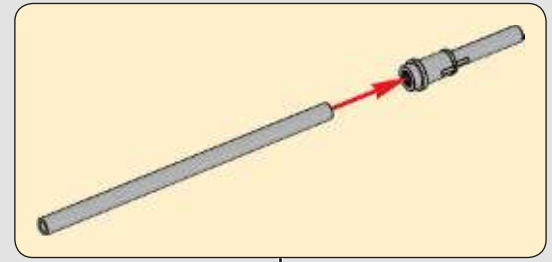


4x

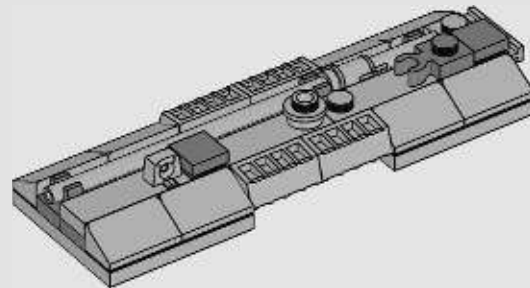
# 307



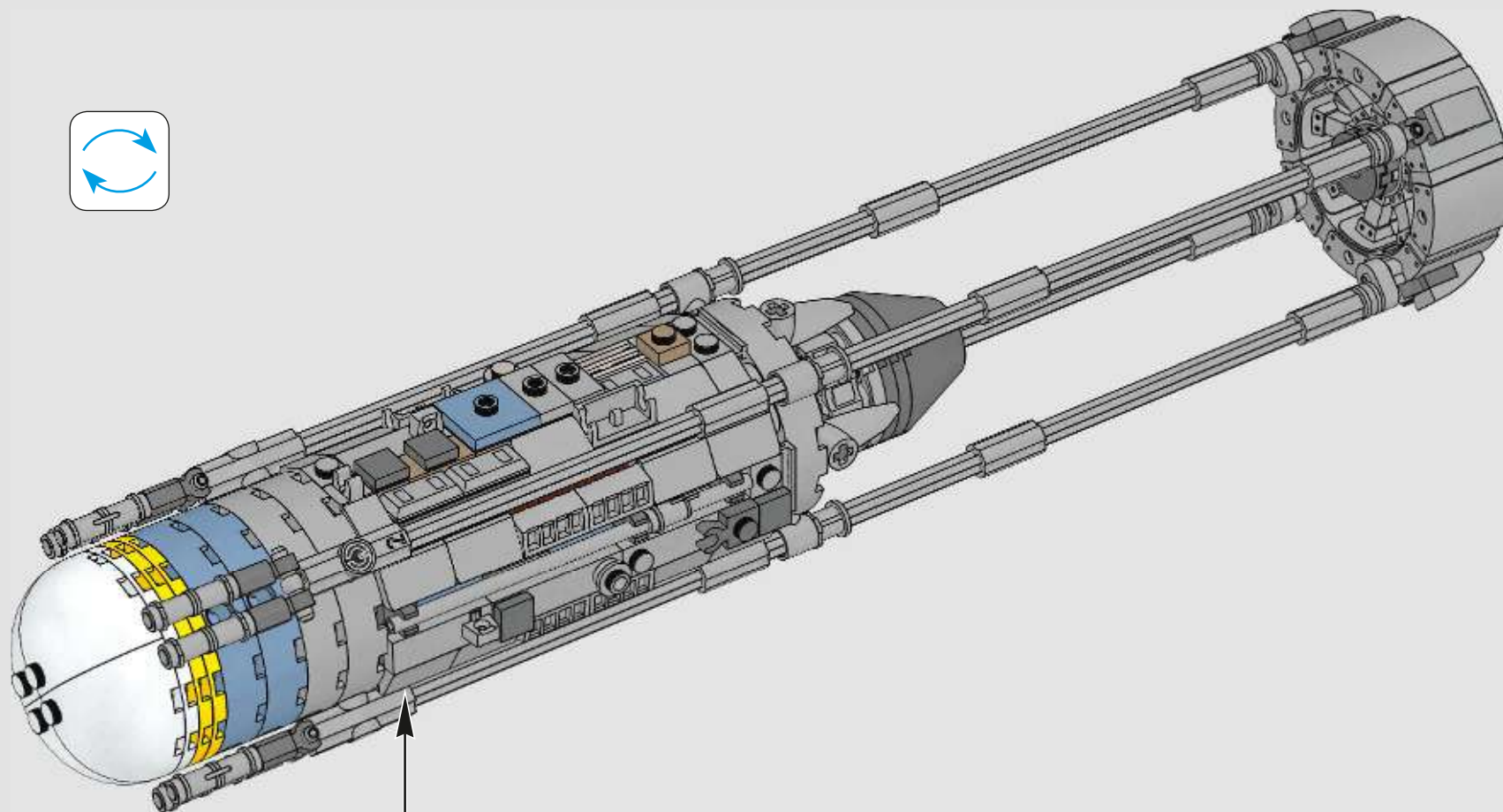
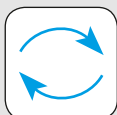
# 308

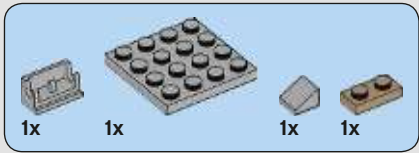


# 309

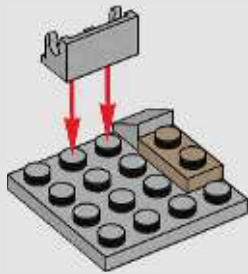


310

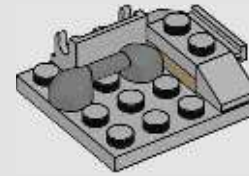




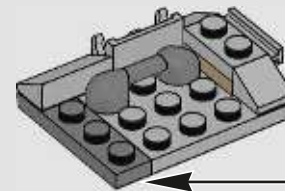
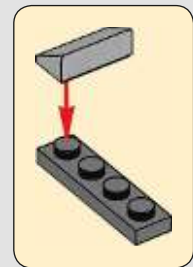
311



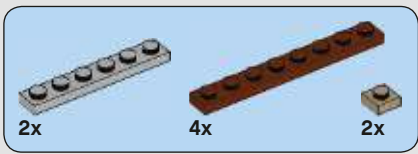
312



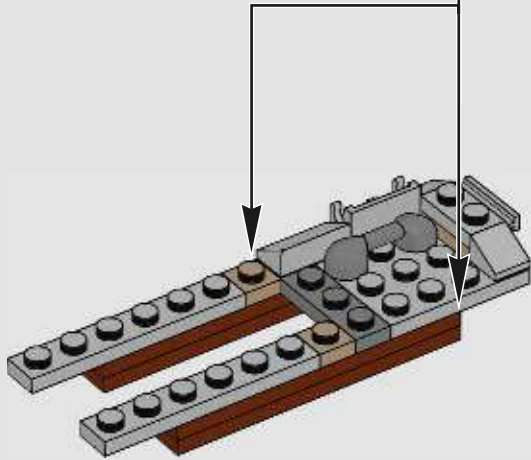
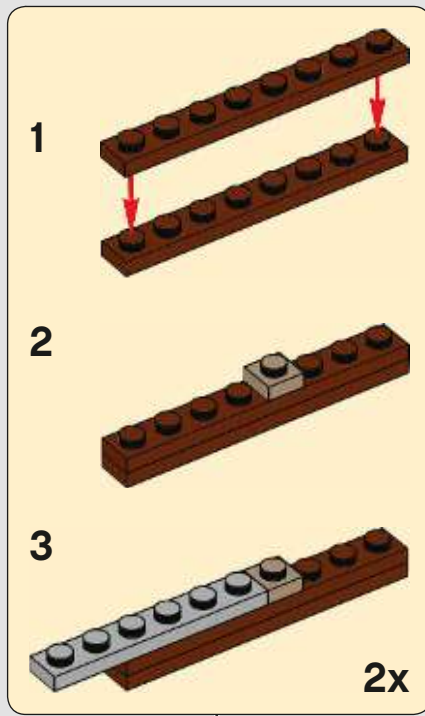
313



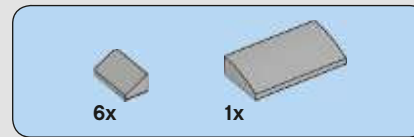
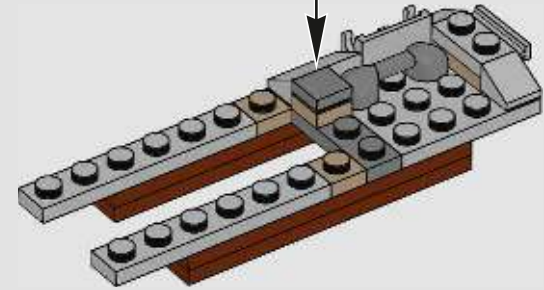




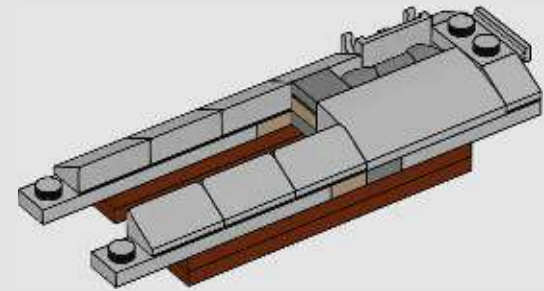
314



315

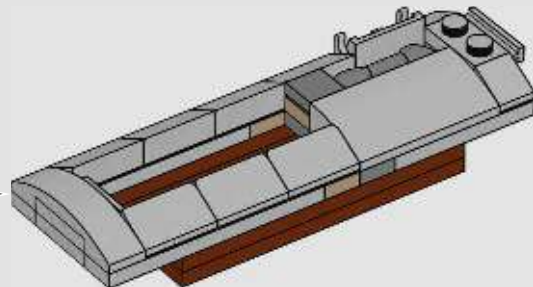
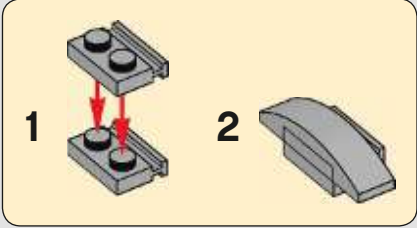


316

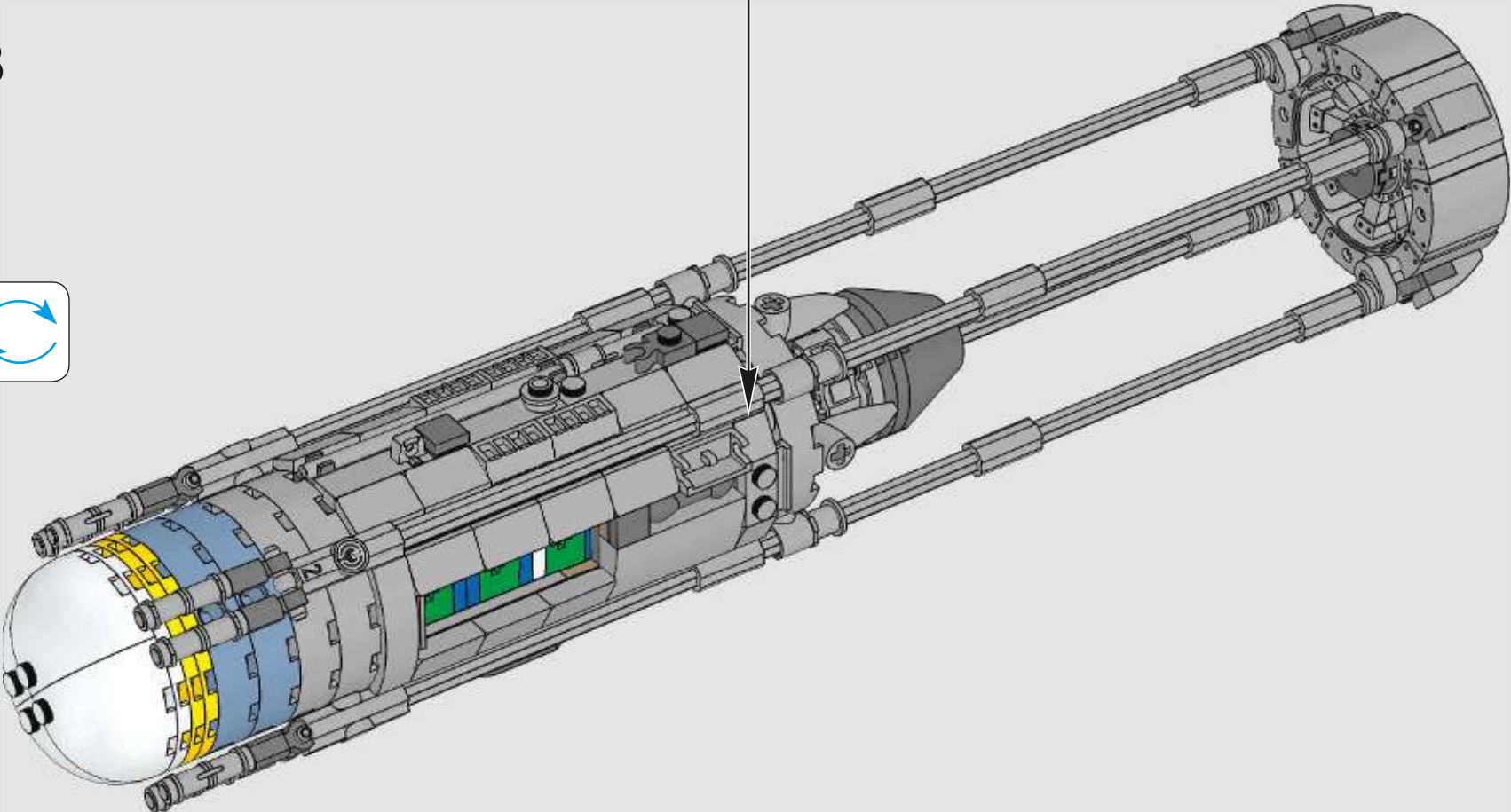




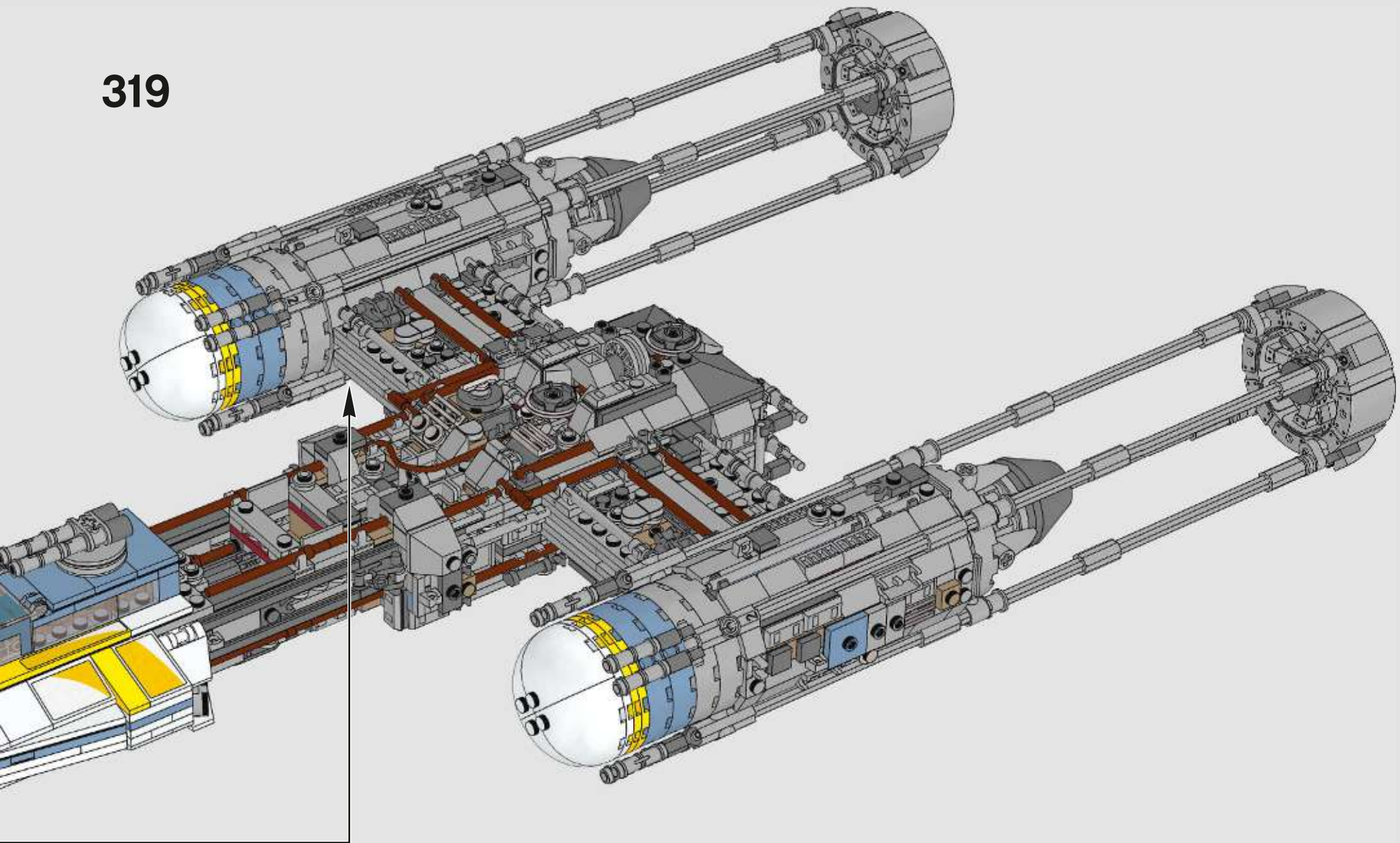
# 317

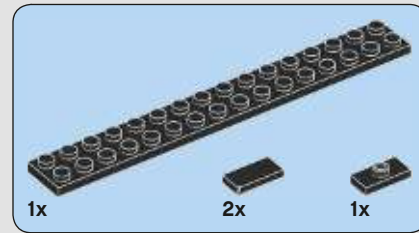
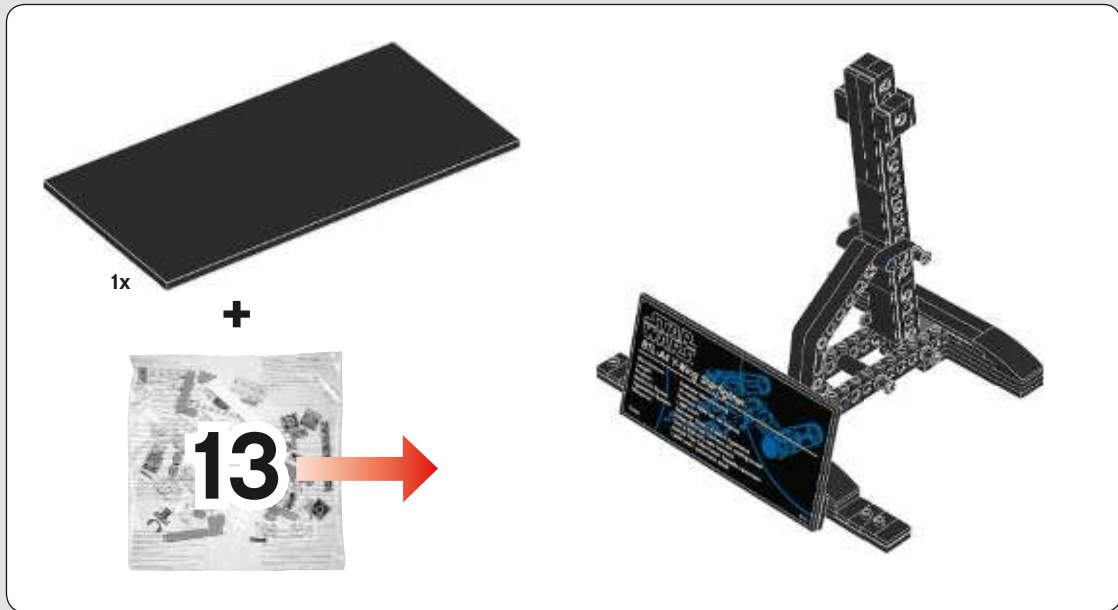


# 318

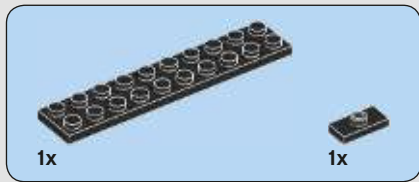


319

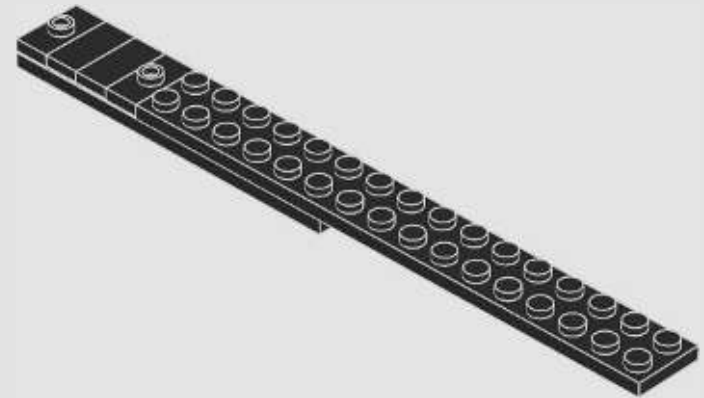
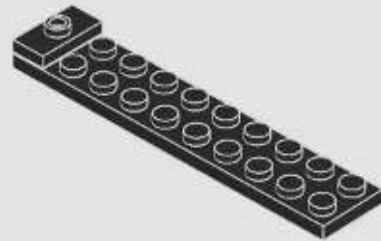


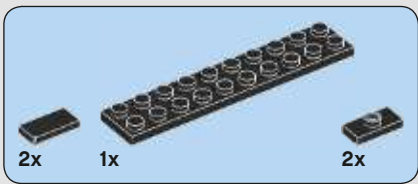


321

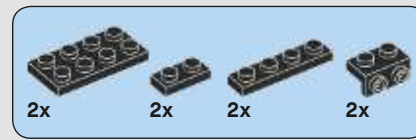
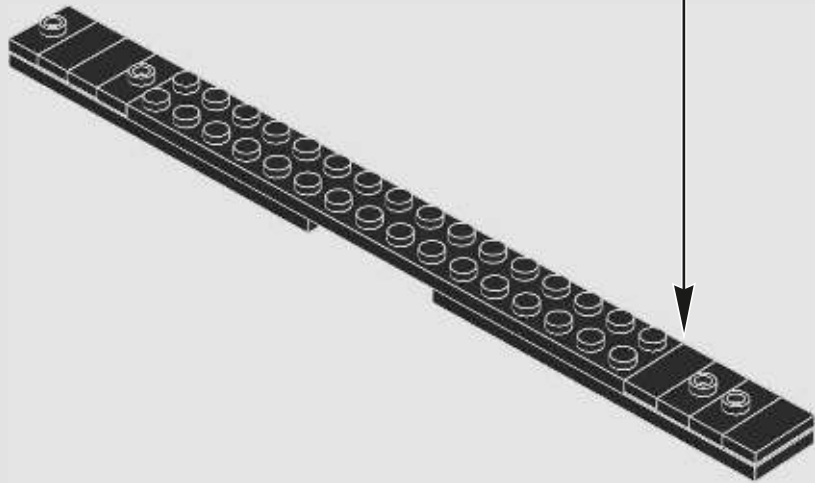
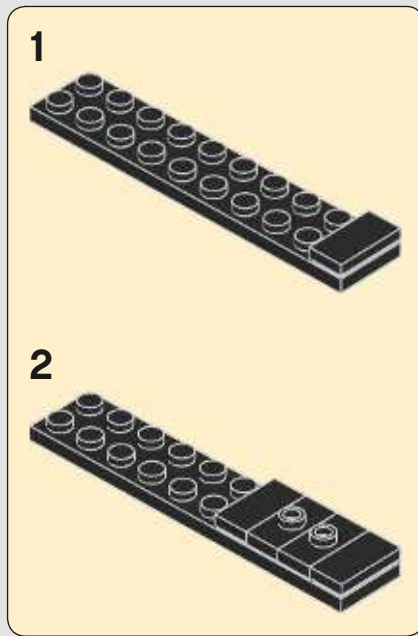


320

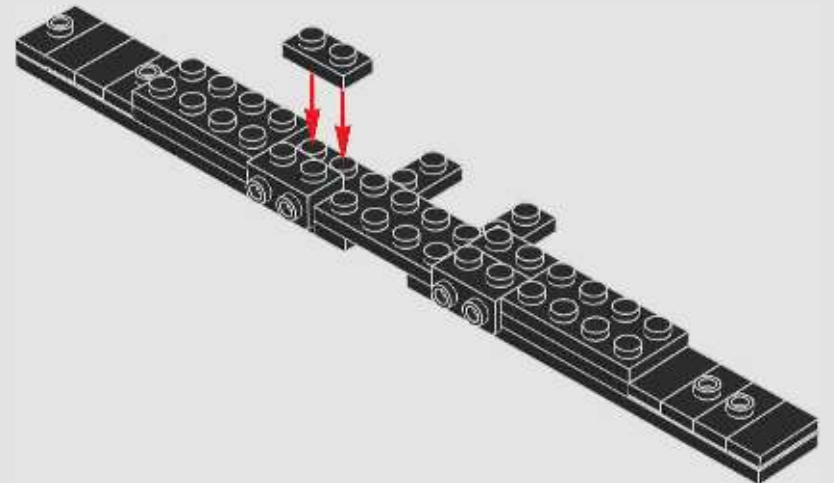




322



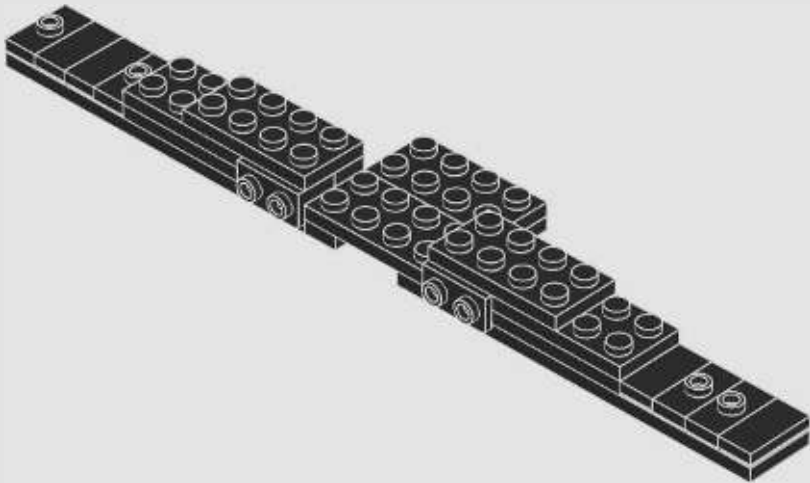
323





3x

# 324

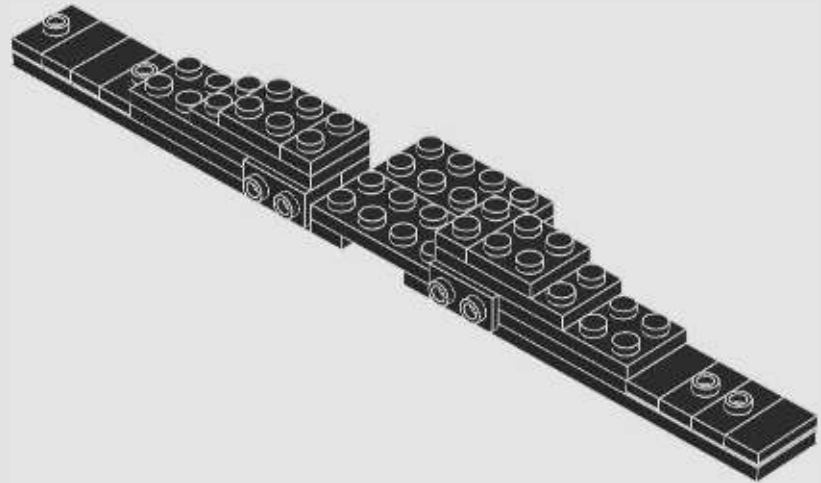


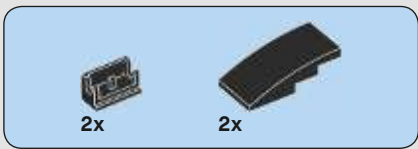
2x



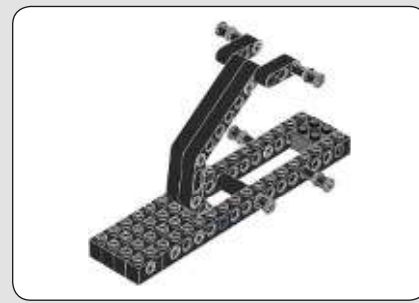
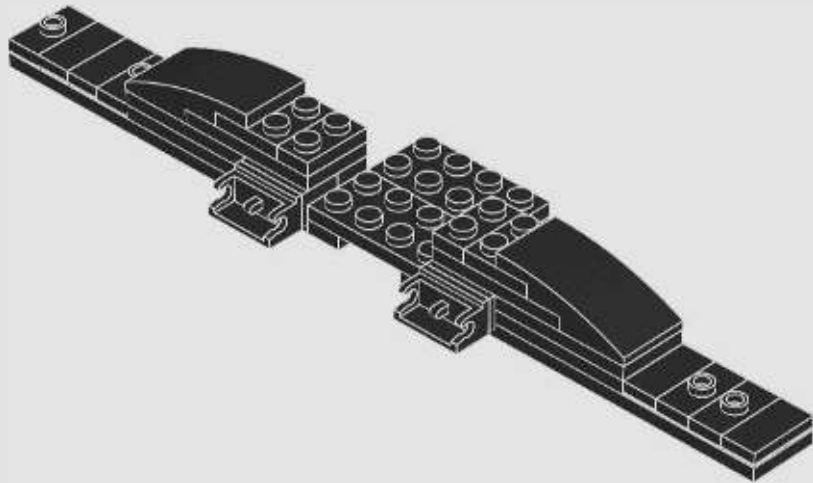
2x

# 325

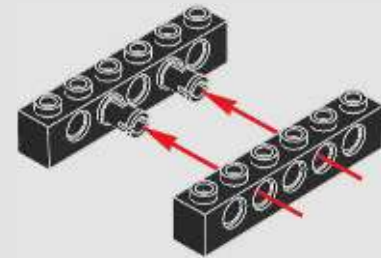




326



327

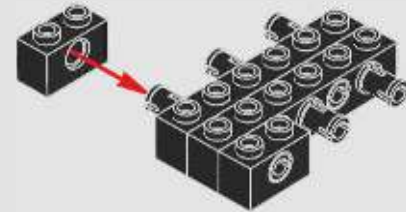




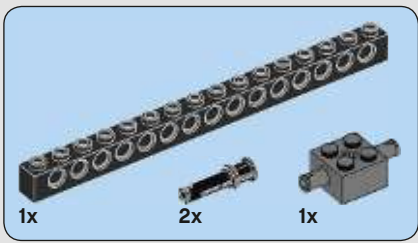
328



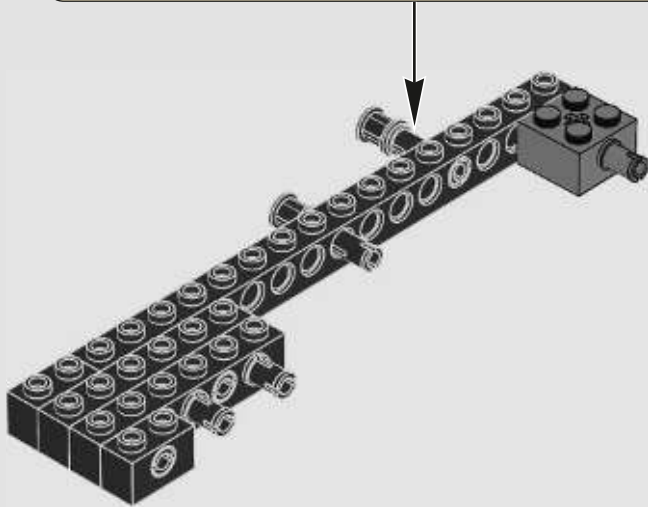
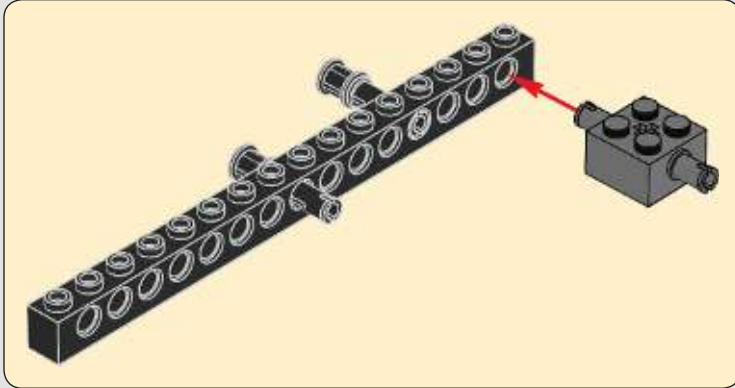
329



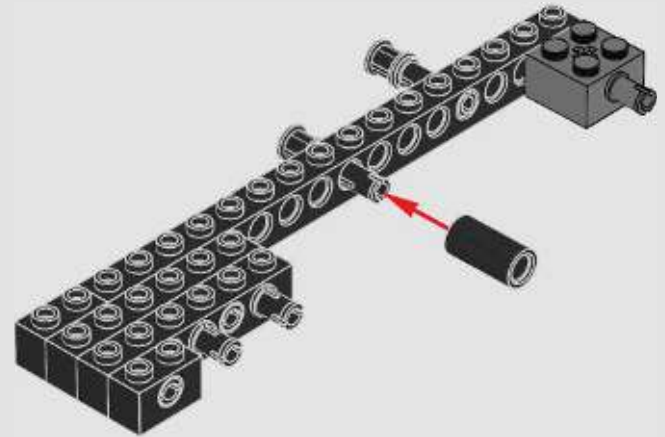


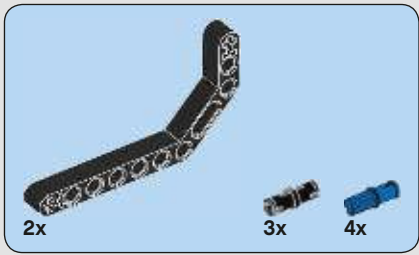


330

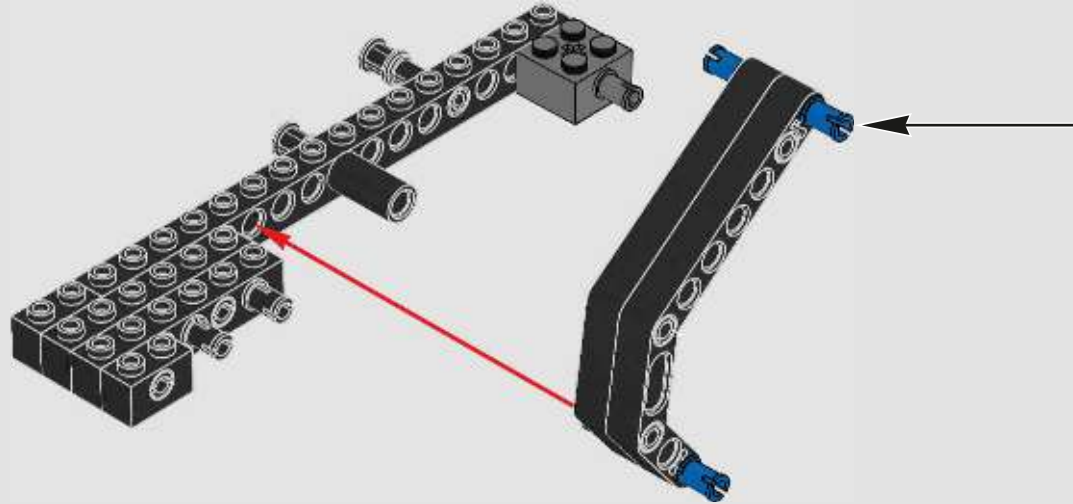
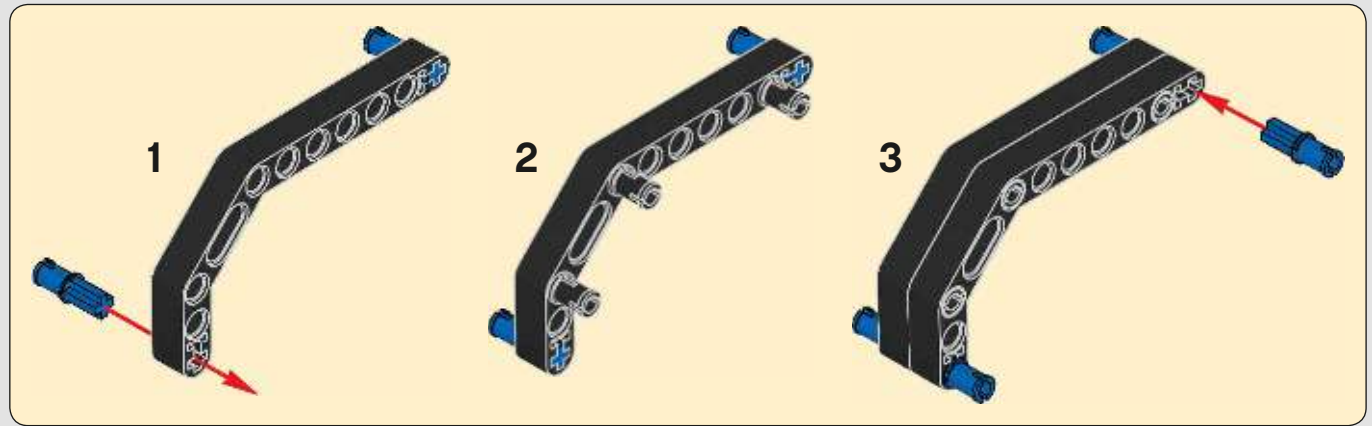


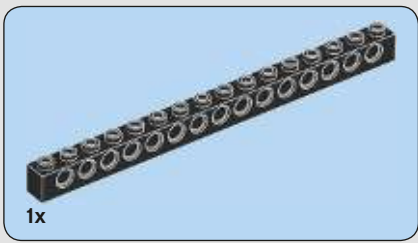
331



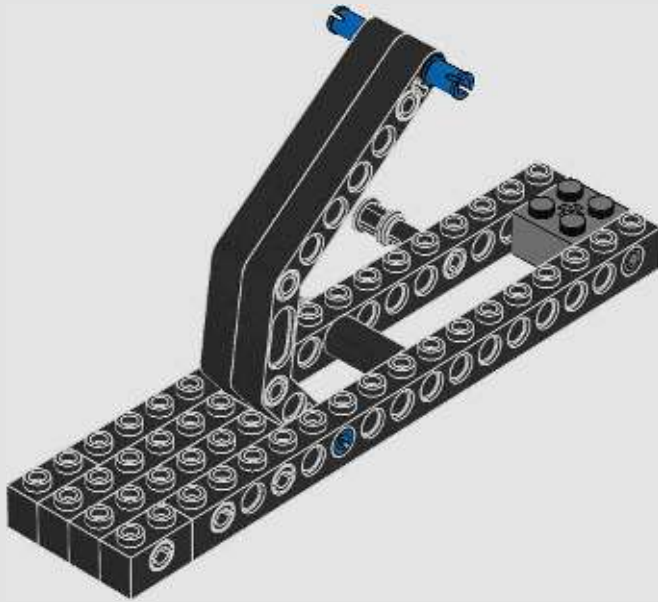


332

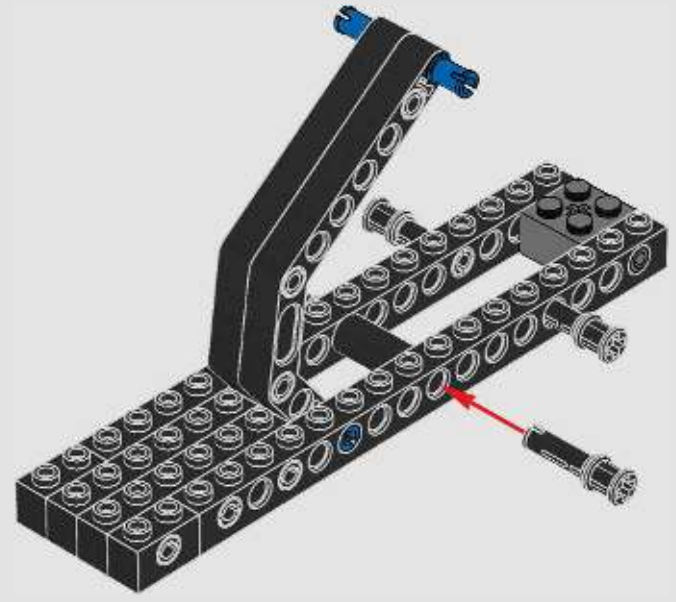




**333**

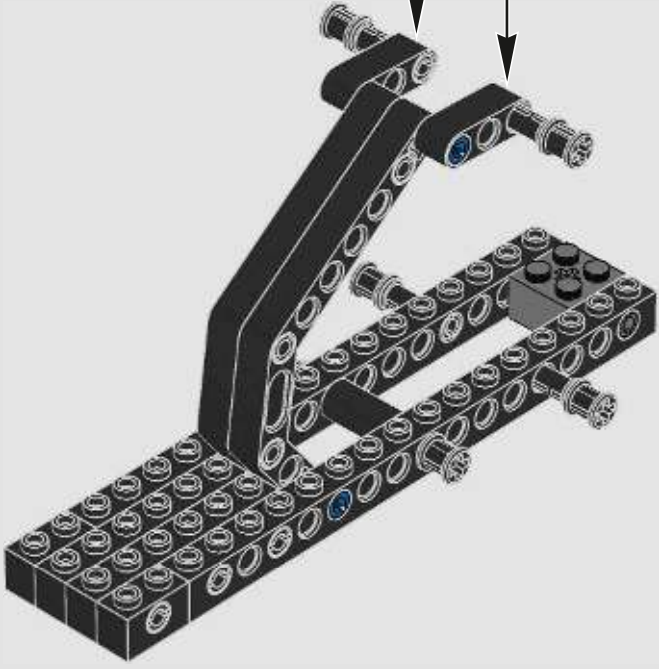


**334**

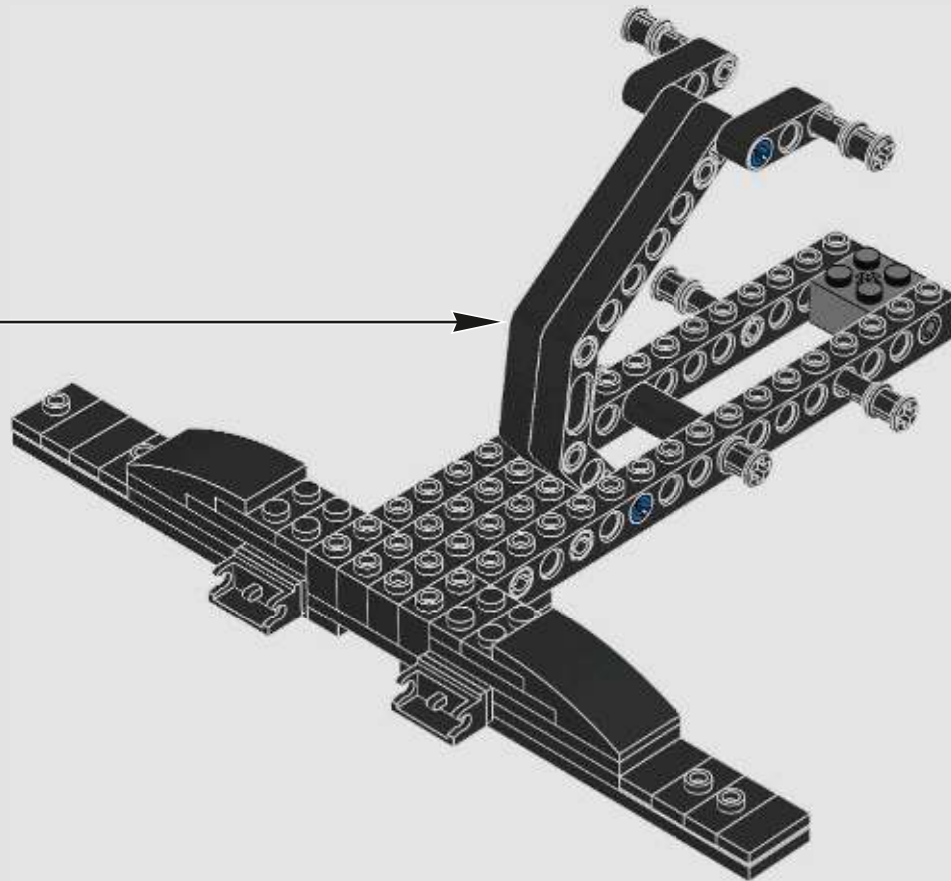


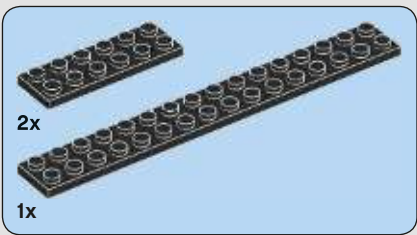


335

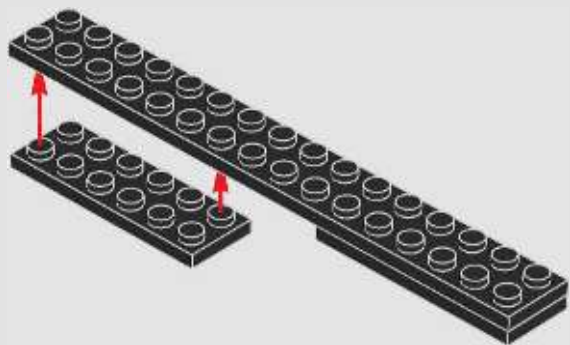


336

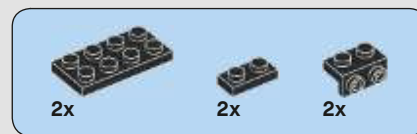
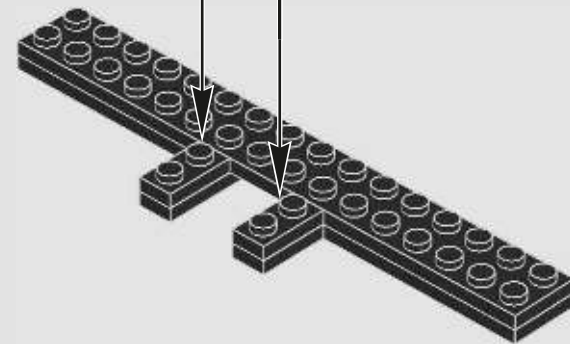
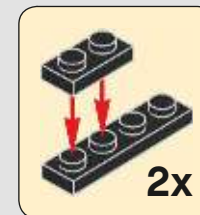




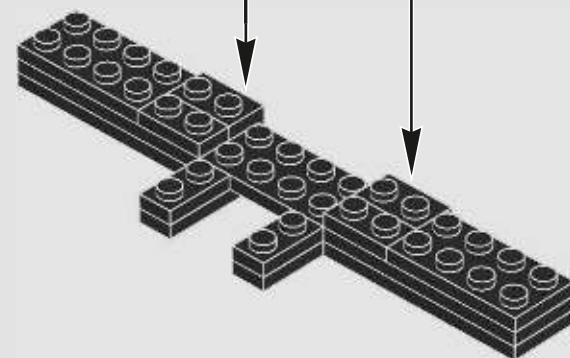
**337**



**338**

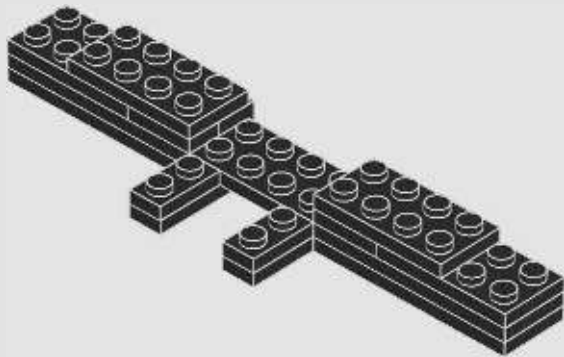


**339**

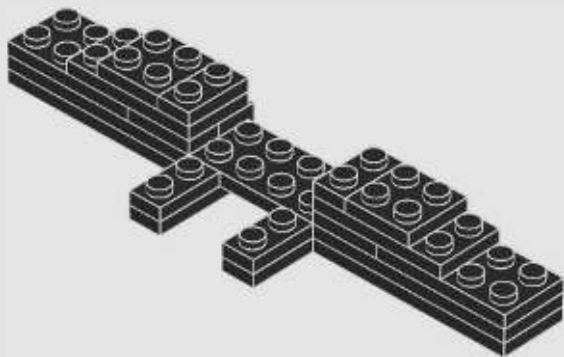




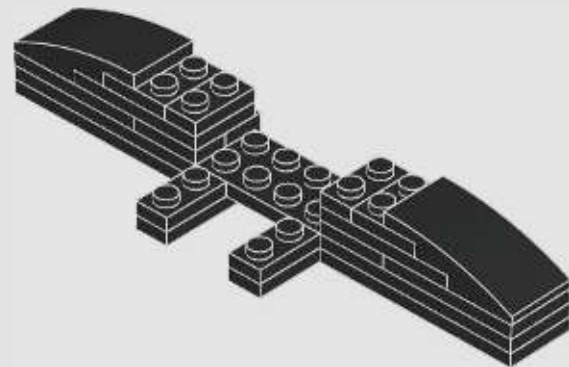
340



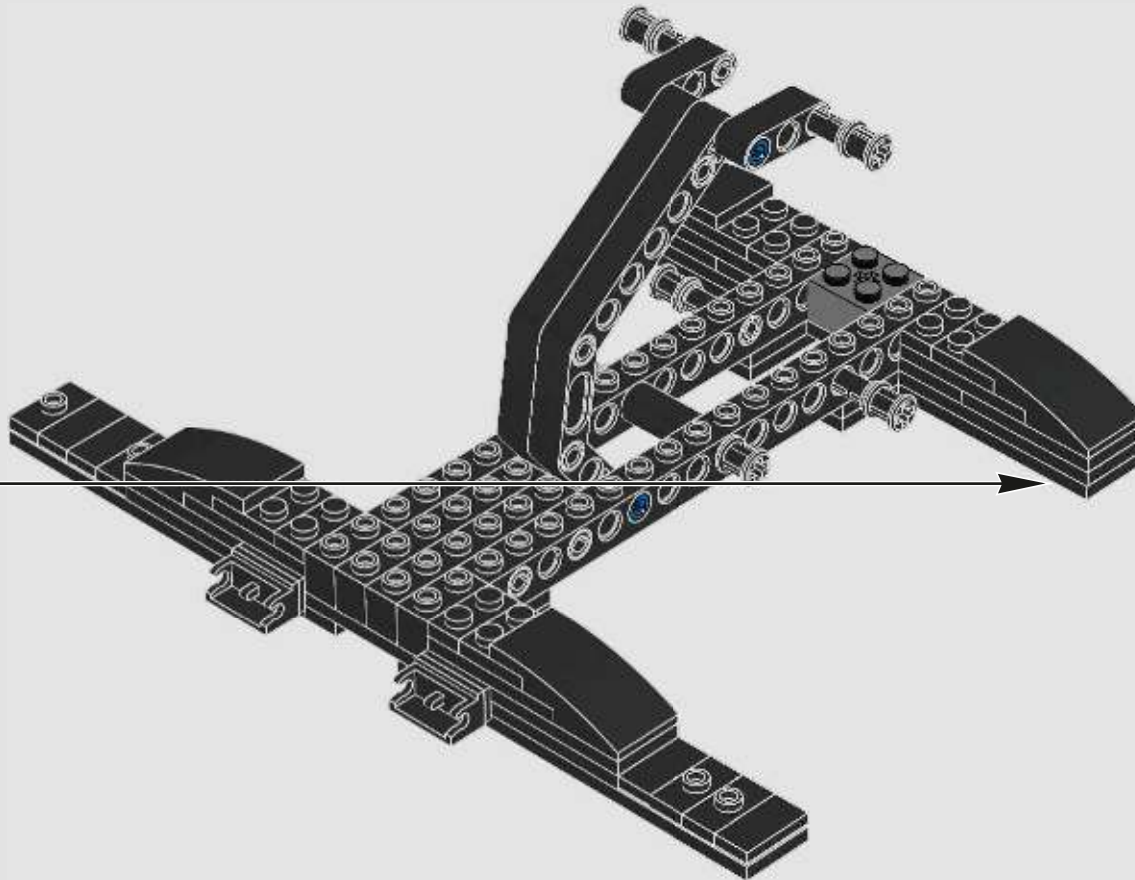
341



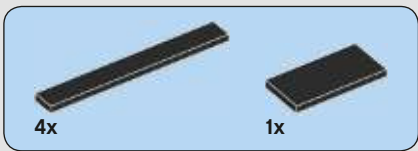
342



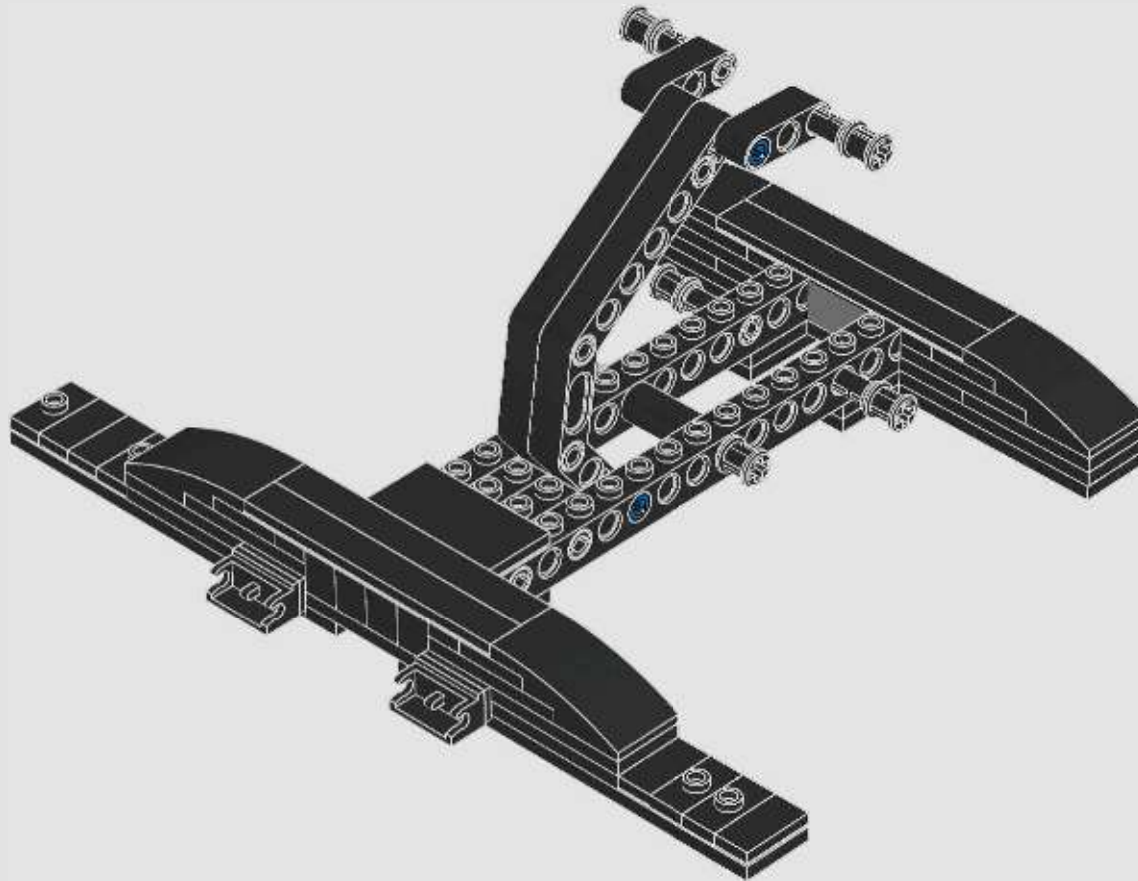
343

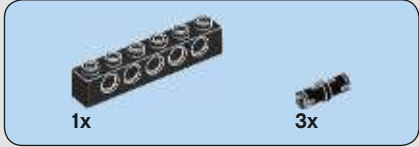
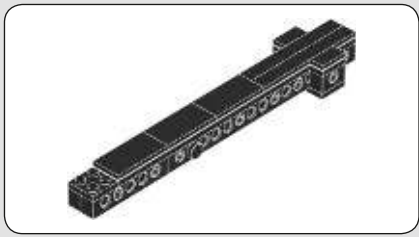




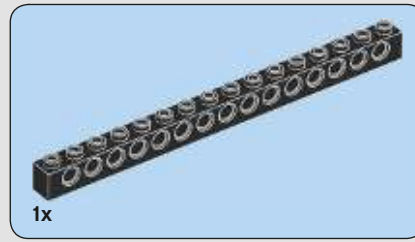
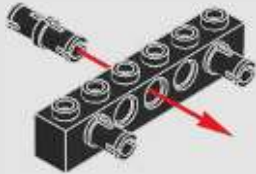


344

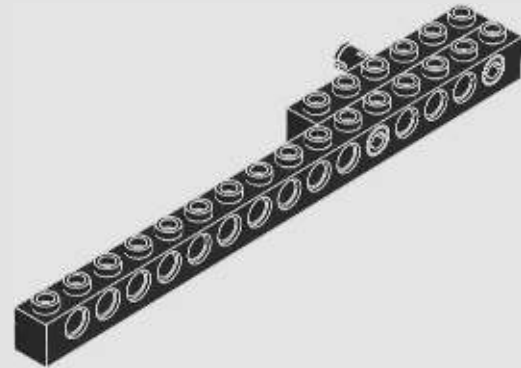




**345**

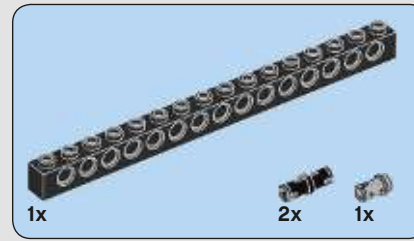
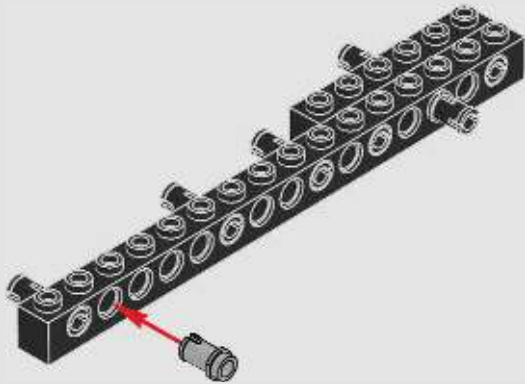


**346**

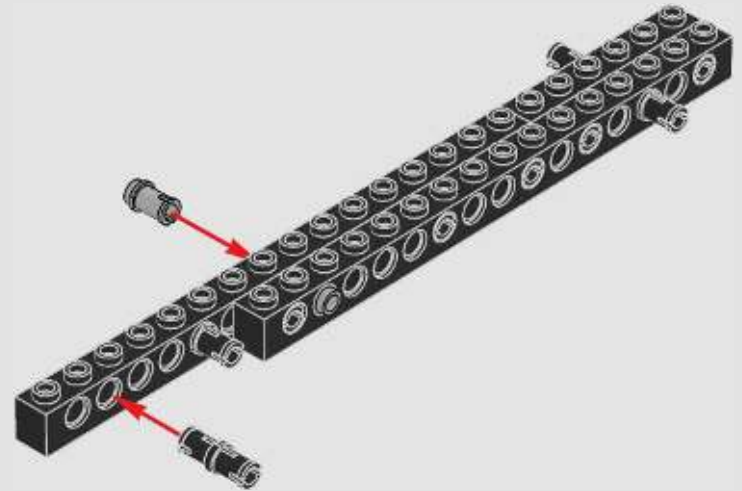


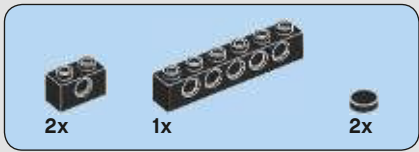


347

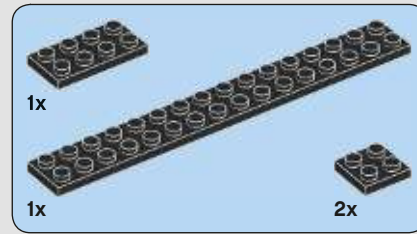
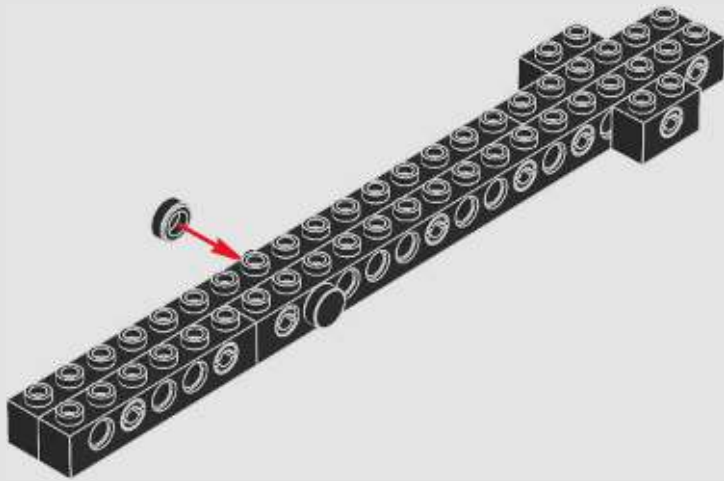


348

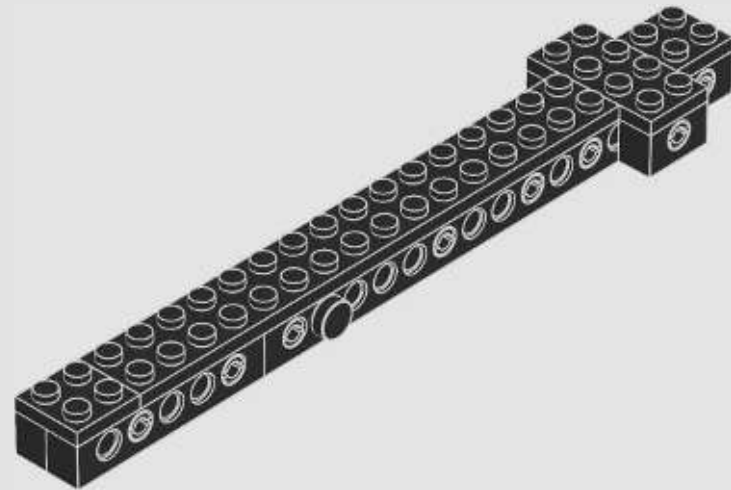




349

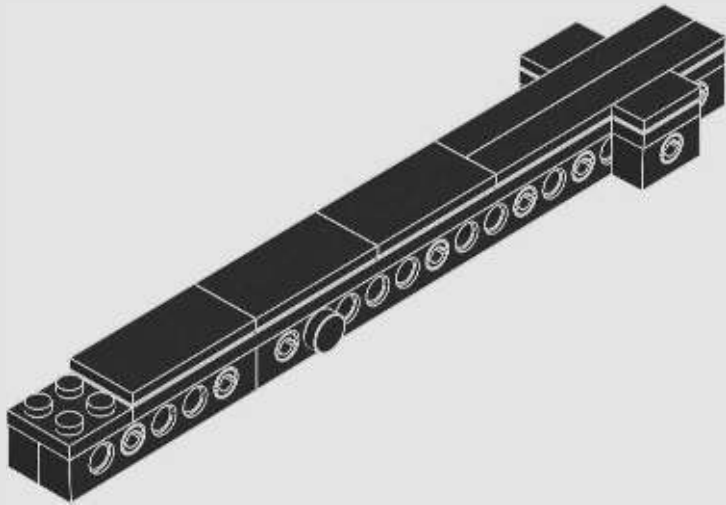


350

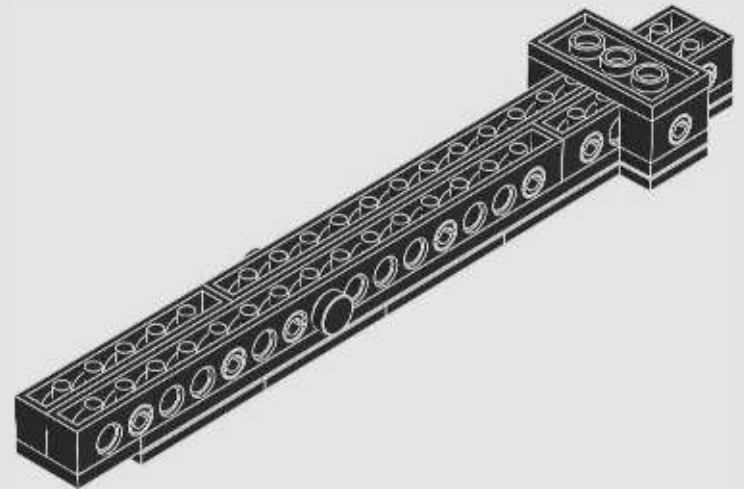
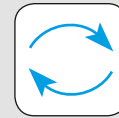




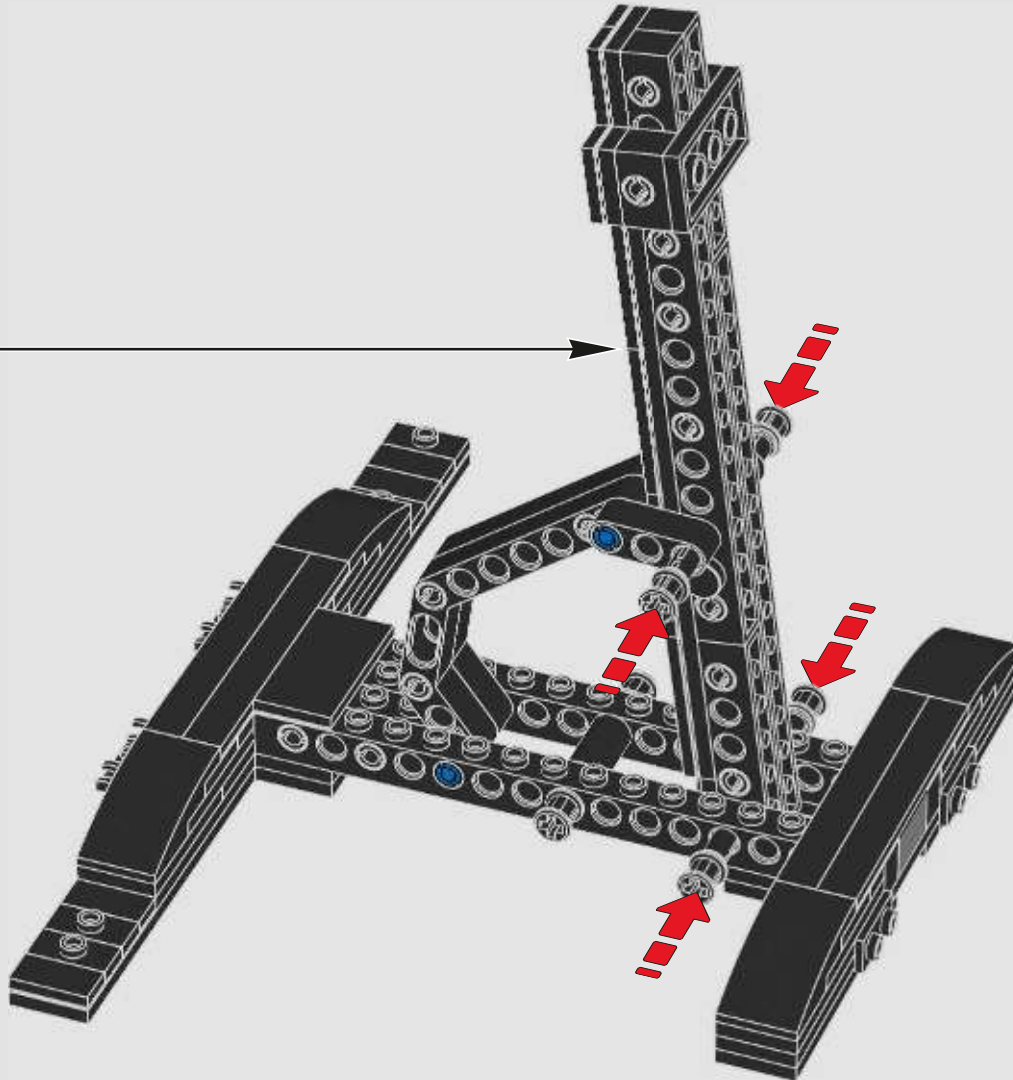
351

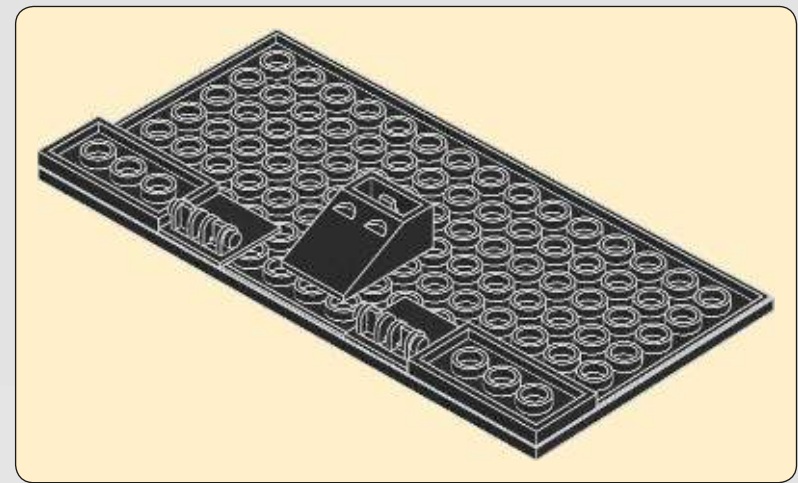
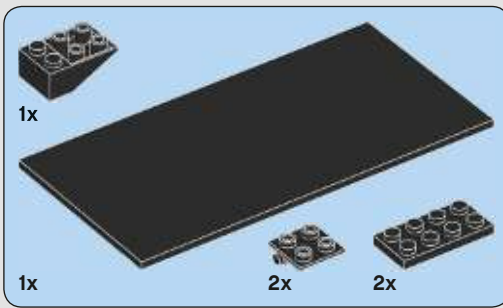


352

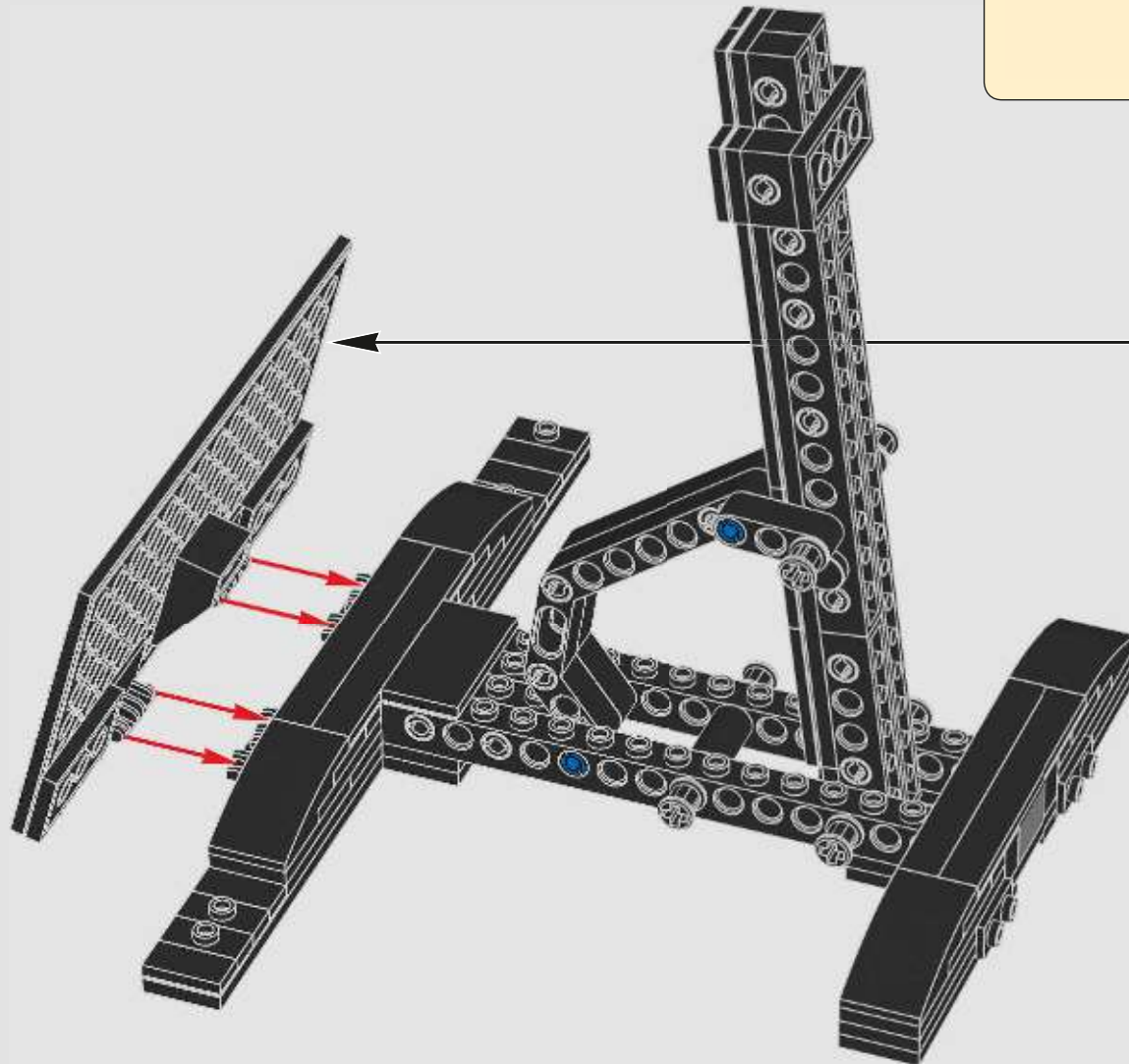


353

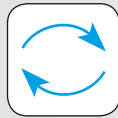




354

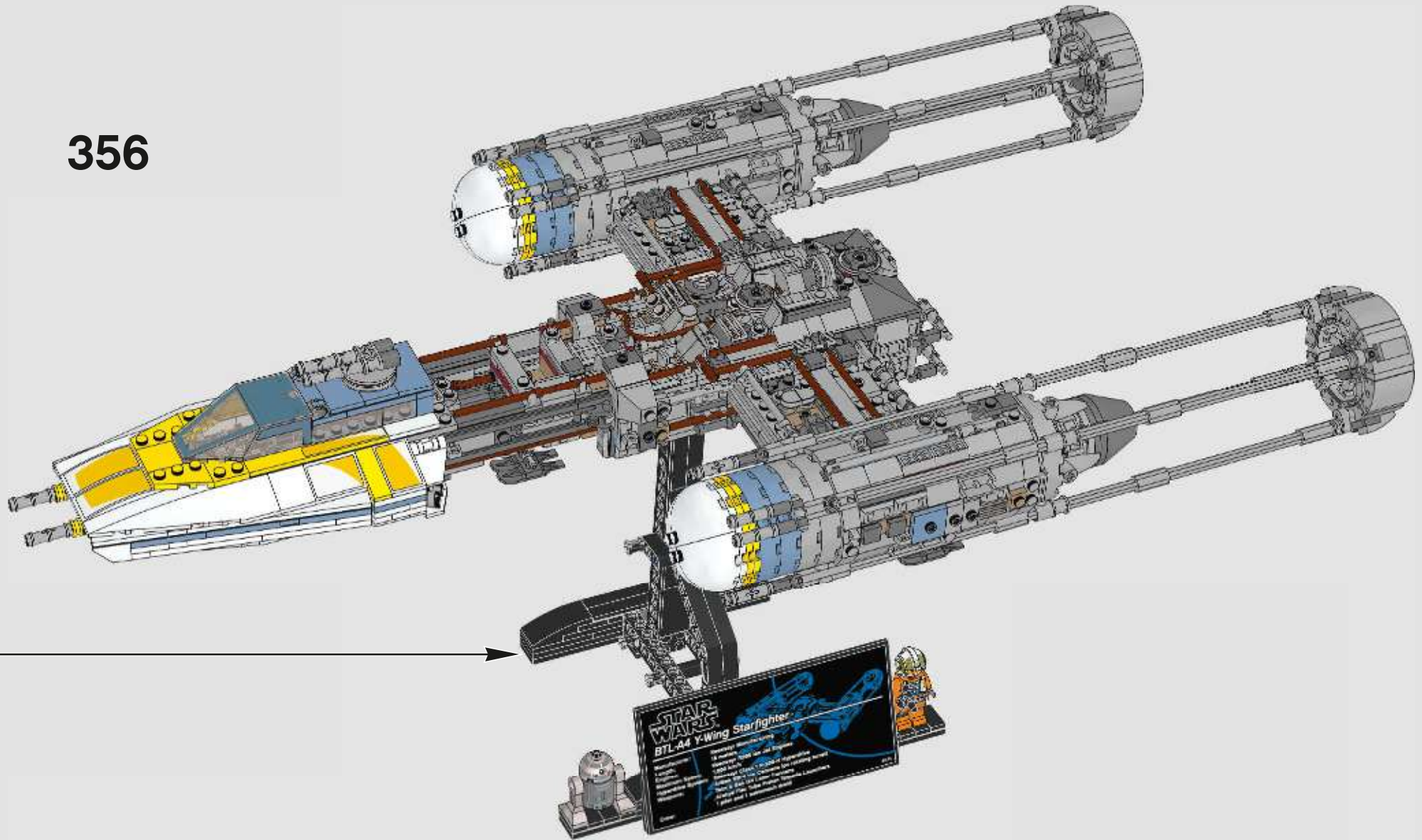


355

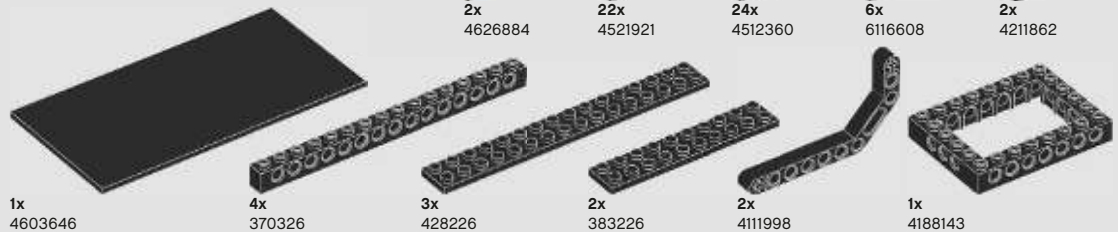




356



- 6x 302401
- 2x 307001
- 1x 6187547
- 6x 4650644
- 2x 366501
- 1x 306901
- 2x 4611700
- 4x 6023099
- 4x 4140583
- 16x 242001
- 2x 428701
- 2x 362301
- 4x 243101
- 6x 329801
- 2x 4500469
- 4x 4597131
- 2x 6108588
- 218
- 4x 6035405
- 2x 273001
- 2x 6015474
- 2x 6015477
- 2x 303201
- 4x 366601
- 2x 663601
- 2x 6109817
- 2x 379501
- 2x 4179870
- 2x 4261565
- 4x 346001
- 2x 4558168
- 2x 4143000
- 2x 371001
- 8x 4586275
- 2x 6102776
- 2x 302001
- 6x 4118793
- 2x 4565452
- 2x 6175968
- 1x 4140562
- 2x 6214334
- 2x 4185273
- 4x 4114309
- 1x 4179094
- 1x 4179095
- 1x 614324
- 13x 370024
- 4x 6214344
- 2x 300921
- 2x 4143005
- 6x 4206482
- 3x 300423
- 13x 4514553
- 1x 302123
- 10x 302023
- 3x 4239601
- 10x 407024
- 1x 6132609
- 1x 6132201
- 1x 4179094
- 1x 4179095
- 1x 614324
- 13x 370024
- 1x 306824
- 4x 6037676
- 2x 4656699
- 1x 4549896
- 4x 6214348
- 2x 4189400
- 2x 379526
- 3x 346026
- 6x 416226
- 1x 4144025
- 1x 4537551
- 11x 403226
- 44x 4121715
- 4x 6092585
- 30x 302326
- 2x 393726
- 4x 370026
- 6x 306926
- 4x 6016172
- 1x 6011815
- 1x 4140588
- 1x 6093525
- 1x 306826
- 6x 302226
- 4x 242026
- 2x 4124096
- 1x 6089119
- 6x 4140801
- 2x 4142822
- 1x 6015891
- 1x 4609050
- 1x 6121725
- 1x 4609050
- 1x 4603646
- 1x 4550017
- 1x 6173119
- 1x 6056658
- 1x 374726
- 4x 371026
- 4x 4558957
- 4x 4560182
- 13x 302026
- 4x 4647286
- 4x 389426
- 2x 6139403
- 1x 6121725
- 1x 4609050
- 3x 4226179
- 2x 4198311
- 1x 6177804
- 2x 4129859
- 2x 6138232
- 2x 4620077
- 9x 6142505
- 2x 6173163
- 2x 6057880
- 24x 6142245
- 13x 6111685
- 2x 6124349
- 4x 6214347
- 4x 6132790
- 24x 4528604
- 17x 6092591
- 2x 6146234
- 1x 6002849
- 1x 6002851
- 1x 6031821
- 2x 6001822
- 3x 4267874
- 3x 6015424
- 4x 6055172
- 43x 4549436
- 2x 4626884
- 4x 6152107
- 2x 4211412
- 25x 6168647
- 2x 4650260
- 3x 4542590
- 8x 4211573
- 21x 6151688
- 6x 4560175
- 8x 6172538
- 8x 4211567
- 48x 4211483
- 26x 4211476
- 8x 4211399
- 10x 4211622
- 21x 6071229
- 22x 4521921
- 4x 4215513
- 4x 4211535
- 2x 4211760
- 2x 4213567
- 2x 4211758
- 1x 4550170
- 19x 4211508
- 4x 4535764
- 8x 4594238
- 2x 4533772
- 4x 4514195
- 2x 6190437
- 69x 4568637
- 3x 4211475
- 7x 4211807
- 24x 4512360
- 3x 6093859
- 5x 6028812
- 26x 6134378
- 4x 6144138
- 2x 6146223
- 6x 4211398
- 2x 4211437
- 4x 4211440
- 10x 4598526
- 10x 4211469
- 6x 6015344
- 2x 4211519
- 10x 6028813
- 10x 6066097
- 3x 4611702
- 6x 6116608
- 2x 4654580
- 3x 4654582
- 1x 6044729
- 8x 61441609
- 10x 4556157
- 12x 4211568
- 8x 6149991
- 1x 6088708
- 2x 6198932
- 1x 4667578
- 1x 4211632
- 4x 4535738
- 28x 6093527
- 1x 4494222
- 2x 4211862



3.2

- 2x 4211389
- 2x 4593679
- 2x 6123809
- 4x 6117967
- 2x 6126082
- 4x 4666449
- 2x 4211397
- 2x 4211353
- 2x 4216250
- 1x 4211387
- 4x 6045988
- 3x 4211881
- 1x 4211888
- 3x 4654577
- 4x 4211865
- 4x 4520320
- 2x 4644102
- 2x 6186129
- 10x 4211802
- 2x 4211488
- 1x 6093058
- 5x 4211396
- 1x 4211464
- 2x 4211356
- 7x 4599498
- 2x 4211435
- 6x 4211445
- 6x 4211613
- 2x 4622803
- 2x 6028015
- 4x 4211748
- 2x 4597901
- 7x 4211395
- 2x 4211466
- 1x 4211639
- 2x 4211549
- 2x 4612621
- 4x 6045718
- 6x 4243797
- 6x 6214346
- 4x 4211452
- 2x 4211542
- 2x 4514192
- 5x 4211425
- 1x 4211404
- 4x 4211438
- 2x 6214349
- 1x 4211498
- 10x 4535768
- 2x 4251149
- 3x 4211407
- 2x 4514846
- 16x 6178172
- 5x 4166618
- 4x 4211401
- 1x 4211733
- 2x 6081975
- 3x 6028811
- 10x 4225469
- 1x 6102360
- 6x 6075208
- 1x 4216695
- 1x 6186673
- 9x 6116613
- 11x 6178172
- 2x 6135597
- 2x 4539099
- 6x 4541506
- 4x 4539104
- 5x 4539061
- 1x 4263776
- 4x 6214343
- 1x 6080389
- 8x 6081990
- 3x 4221590
- 6x 6214342
- 16x 4216945
- 6x 6029774
- 2x 4646865
- 9x 4280341
- 2x 6135597
- 2x 4539099
- 6x 4541506
- 4x 4539104
- 5x 4539061
- 21x 6015890
- 8x 4289542
- 4x 6100030
- 1x 6012451
- 24x 6071226
- 2x 4211044
- 10x 4558955
- 2x 6025235
- 31x 4210848
- 2x 4211051
- 4x 4521512
- 25x 4587212
- 2x 4210782
- 2x 4210788
- 2x 6167900
- 2x 4222113
- 4x 4211042
- 10x 6055313
- 1x 4211010
- 1x 6184903
- 4x 6115080
- 1x 4516546
- 2x 4210636
- 2x 4211052
- 9x 6092572
- 6x 4211063
- 8x 4210631
- 2x 4210763
- 5x 4211066
- 2x 4611703
- 2x 6214341
- 2x 4215387
- 12x 4543086
- 4x 6146321
- 2x 4210676
- 1x 4211093
- 4x 6013082
- 6x 4210635
- 1x 4218696
- 4x 4211109
- 2x 4211052
- 2x 4521187
- 2x 6149768
- 1x 4225733
- 6x 6009683
- 1x 4211043
- 1x 4211024
- 4x 4211053
- 12x 4211001
- 4x 4213607
- 2x 4211065
- 11x 4210917
- 3x 4243831
- 7x 4539429
- 11x 4499858
- 1x 4210998
- 4x 4210967
- 1x 4260707
- 4x 6133611
- 2x 4211067
- 2x 4256828
- 2x 4210796
- 1x 4210660
- 4x 4528323
- 2x 6164314
- 27x 6206248
- 1x 6056666
- 3x 4625032
- 4x 6052345
- 1x 6077617
- 2x 6018928
- 2x 6088641
- 1x 6187727
- 2x 6076677
- 2x 6054858
- 22x 4619636
- 1x 4654448

5

9

8

11



**Customer Service**  
**Kundenservice**  
**Service Consommateurs**  
**Servicio Al Consumidor**  
**LEGO.com/service or dial**


**: 00800 5346 5555**  
**: 1-800-422-5346**



**WIN**  
GO TO [WWW.LEGO.COM/PRODUCTFEEDBACK](http://WWW.LEGO.COM/PRODUCTFEEDBACK) AND  
GIVE US YOUR SHORT **FEEDBACK** ABOUT THIS  
LEGO® SET FOR A CHANCE TO WIN  
A COOL LEGO PRIZE.

Terms & Conditions apply

[LEGO.com/productfeedback](http://LEGO.com/productfeedback)

#### GEWINNE

Erzähle uns auf  
[www.LEGO.com/productfeedback](http://www.LEGO.com/productfeedback)

etwas über die Erfahrungen, die  
du mit diesem LEGO® Set gemacht  
hast, und sichere dir die Chance  
auf einen coolen LEGO Preis!

Es gelten die  
Teilnahmebedingungen

#### GAGNE

Rends-toi sur  
[www.LEGO.com/productfeedback](http://www.LEGO.com/productfeedback)

et donne-nous quelques com-  
mentaires sur ce produit LEGO®  
pour avoir une chance de gagner  
un prix LEGO !

Voir Conditions Générales

#### GANAN

Visita  
[www.LEGO.com/productfeedback](http://www.LEGO.com/productfeedback)

y envíanos tu opinión acerca de  
este set LEGO®, ¡Participarás en el  
sorteo de un premio LEGO!

Términos y Condiciones aplicables

#### 获取奖品

登录  
[www.LEGO.com/productfeedback](http://www.LEGO.com/productfeedback)

给出关于此乐高®套装的简短反馈，  
就有机会获得炫酷乐高奖品

《条款及条件》适用

#### 경품 당첨 기회

[www.LEGO.com/productfeedback](http://www.LEGO.com/productfeedback)

페이지로 이동하여 이 레고® 세트에  
대한 간략한 피드백을 보내 주시고  
멋진 레고 경품을 탈 수 있는 기회도  
잡으십시오

약관 적용

#### ЗАПОЛНИ АНКЕТУ И ПОЛУЧИ ПРИЗ

Перейди по ссылке  
[www.LEGO.com/productfeedback](http://www.LEGO.com/productfeedback)

ответь всего на несколько во-  
просов об этом наборе LEGO®,  
и у тебя появится шанс выиграть  
замечательный приз от компании  
LEGO.

Применяются Условия и правила  
участия