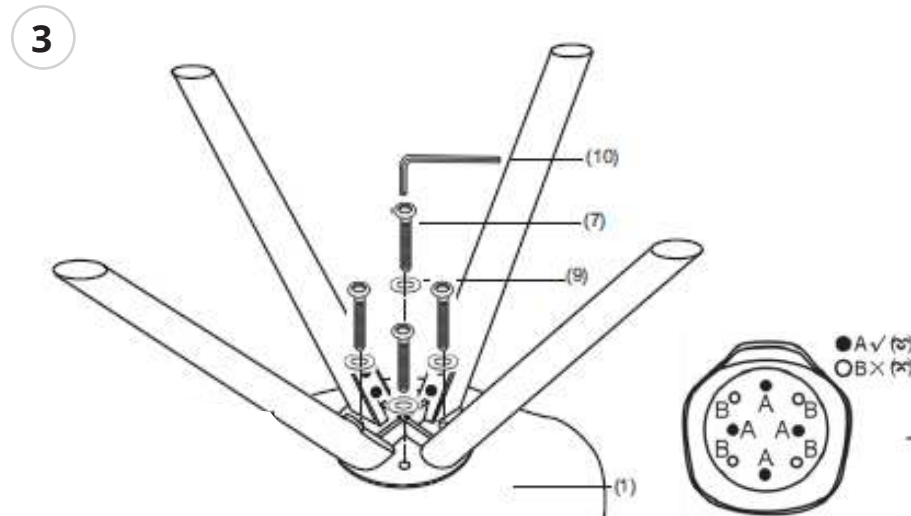
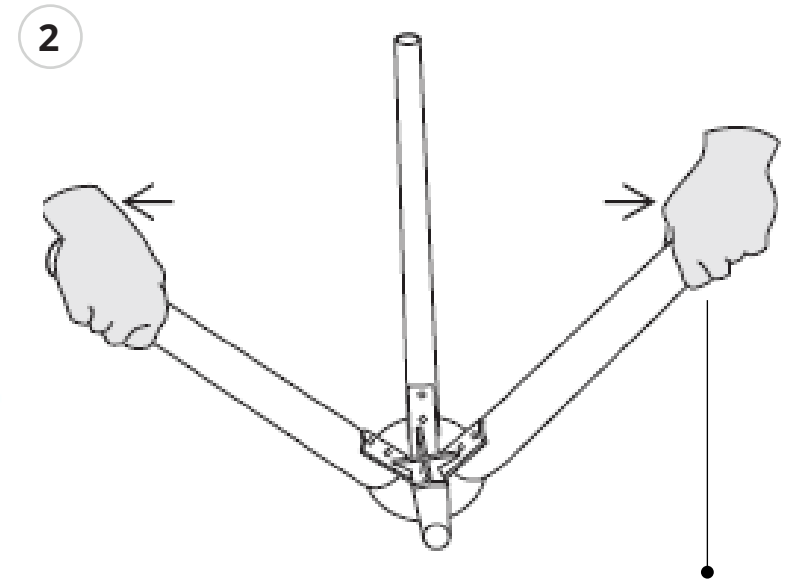
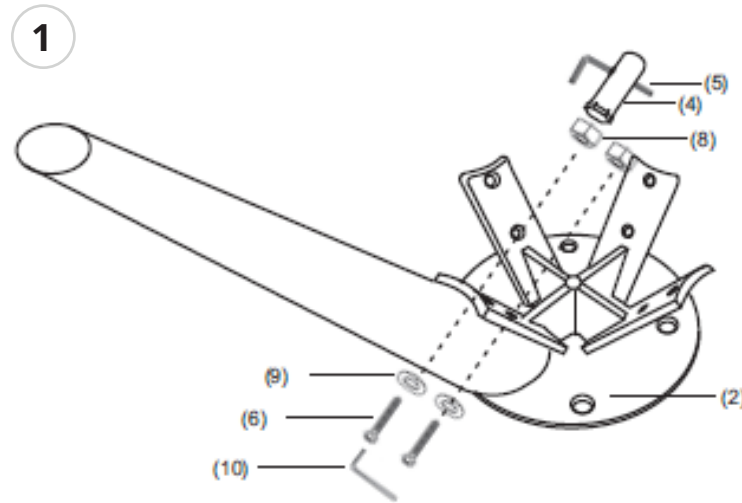


Assembly instruction | Wooden base triangular



Included parts

1 x1	2 x1
3 x4	4 x1 (40mm)
5 x1	6 x8 (M6x45mm)
	7 x4 (M6x20mm)
8 x8 (M6x5mm)	10 x1
9 x12 (M6x15mm)	



After leg completely assembled, please be sure to put the leg on the flat floor or glass platform to check if the leg is assembled well or not. If only 2 pcs of leg touched the floor, please according to the photo showed and use your hand to adjust the leg which touched the floor and to make sure 4 pcs legs at the same level

Notes

- Tighten the screws gently. Then place the seat on a flat surface, check that the frame is firm and stable. Finally, tighten the screws.
- We recommend that you re-tighten the screws after a while for optimum retention of your seat.

