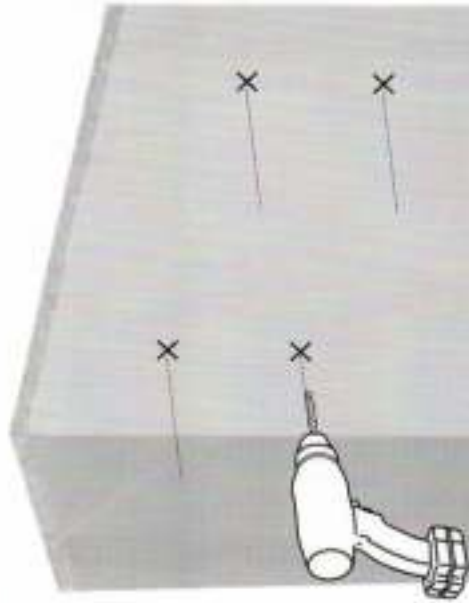
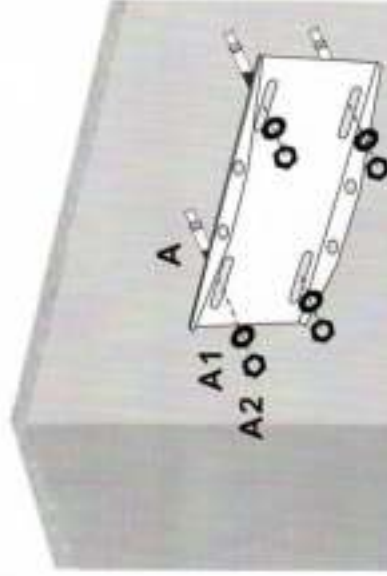


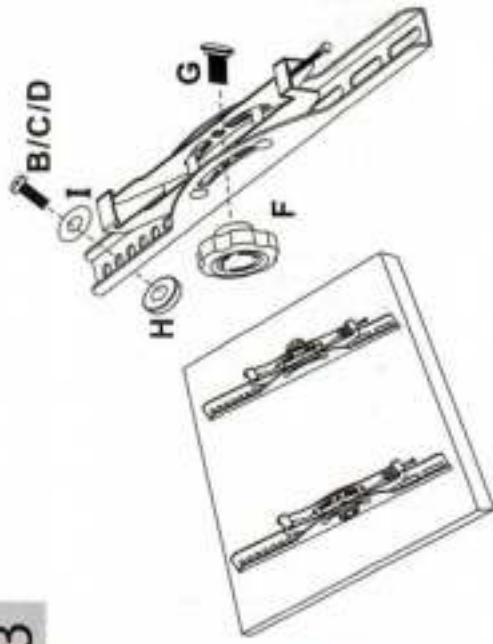
1



2

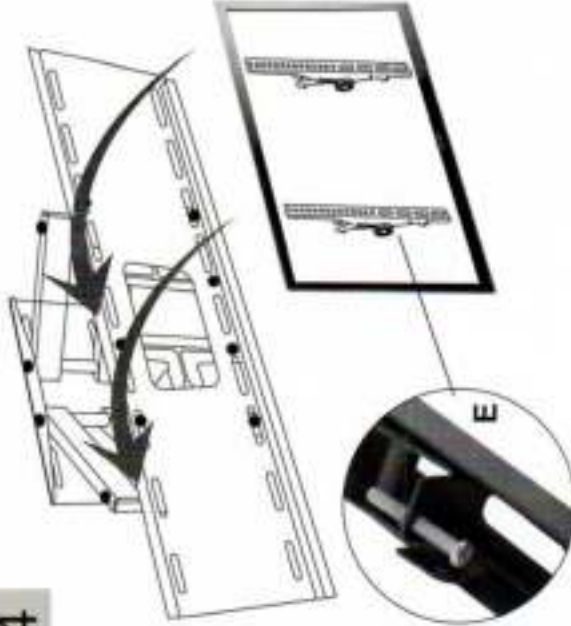


3

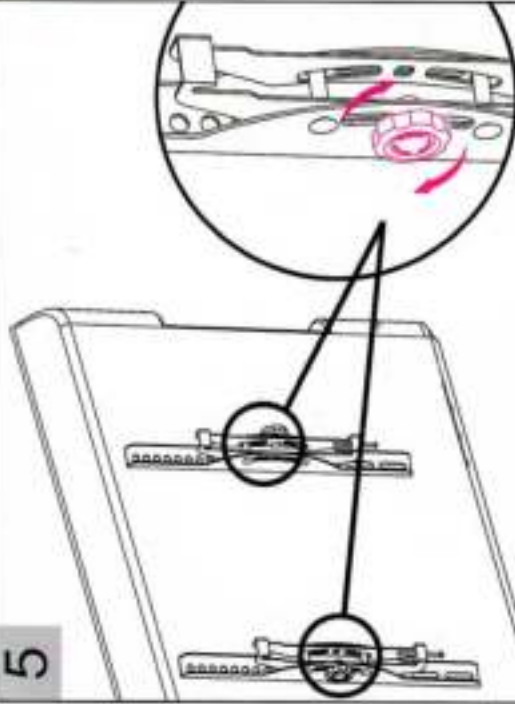


Installing the Back Plate and Mounting Your TV

4



5



Adjust the angle of your TV by twisting this knob

A



4

B



M5x16mm

4

F



2

A1



4

C



M6x20mm

4

G



Handle screw

2

A2



4

D



M8x20mm

4

H



Handle screw

4

I



4

E



M5x35mm

2

I



M6/M8

4