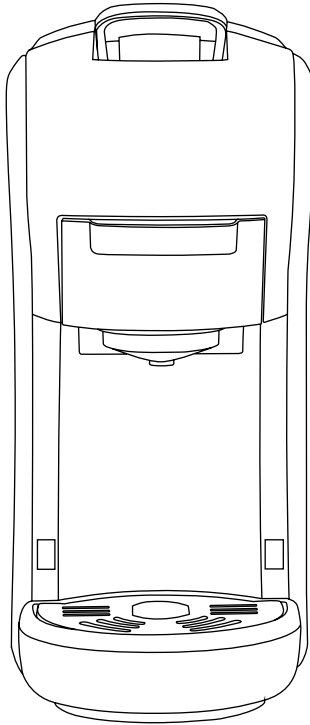


BY IKOHS

# CREATE POTTS



**COFFEE MACHINE WITH 3 ADAPTERS**  
CAFETERA CON 3 ADAPTADORES

---

**USER MANUAL**





## INDEX

### ENGLISH

Security instructions	6
About this manual	7
Parts list	7
Getting started	8
Unpacking	8
Standby mode	8
Standby mode setting	8
Factory default setting	9
Coffee preparation	9
Coffee volume adjustment	11
Cleaning	11
Emptying and cleaning the internal pipes	11
Draining your coffee machine	12
Descaling/Maintenance of the machine	13
Security warnings	13
Troubleshooting	14

### PORTUGUÊS

Instruções de segurança	24
Lista de peças	25
Sobre este manual	25
Desempacotado	26
Primeiros passos	26
Modo de espera	27
Configurando o modo de espera	27
Configurações de fábrica	27
Preparação de café	27
Personalize o volume do café	28
Limpeza	28
Esvaziar e limpar os tubos internos	29
Drene a cafeteira	30
Descalcificação / Manutenção da máquina de café	31
Aviços de segurança	31
Solução de problemas	32

### ESPAÑOL

Instrucciones de seguridad	15
Lista de partes	16
Acerca de este manual	16
Desempaquetado	17
Primeros pasos	17
Modo standby	18
Ajuce del modo standby	18
Configuración predeterminada de fábrica	18
Preparación del café	18
Personalizar el volumen de café	20
Limpieza	20
Vaciado y limpieza de las tuberías internas	20
Drenaje de la cafetera	21
Descalcificación/Mantenimiento de la cafetera	22
Precauciones de seguridad	22
Resolución de problemas	23

### FRANÇAIS

Instructions de sécurité	33
Liste des pièces	34
À propos de ce manuel	34
Déballé	35
Premiers pas	35
Mode veille	35
Réglage du mode veille	36
Paramètre d'usine	36
Préparation du café	36
Personnalisez le volume du café	38
Nettoyage	38
Vidage et nettoyage des tuyaux internes	38
Vidangez la cafetière	38
Détartrage / entretien de la machine à café	40
Avertissements de sécurité	40
Dépannage	41

## INDEX

### ITALIANO

Istruzioni di sicurezza	42
Elenco delle parti	43
Di questo manuale	43
Dialimballato	44
Primi passi	44
Modalità standby	45
Impostazione della modalità standby	45
Impostazioni di fabbrica	45
Preparazione del caffè	45
Personalizza il volume del caffè	47
Pulizia	47
Svuotamento e pulizia delle tubazioni interne	47
Scolare la caffettiera	48
Decalcificazione / Manutenzione della macchina da caffè	49
Avvisi di sicurezza	49
Risoluzione dei problemi	50

### NEDERLANDS

Beveiligingsinstructies	50
Lijst met onderdelen	51
Over deze handleiding	51
Uitgepakt	52
Eerste stappen	52
Standby modus	53
De stand-bymodus installeren	53
Standaard fabrieksinstellingen	53
Koffiebereiding	53
Pas het koffievolumen aan	55
Schoonmaak	55
Leegmaken en reinigen van de interne leidingen	55
Laat het koffiezetapparaat leeglopen	55
Ontkalken / onderhoud van de koffiemachine	57
Beveiligingswaarschuwingen	57
Probleemoplossing	58

### DEUTSCH

Sicherheitshinweise	51
Liste der Teile	52
Über diese Anleitung	52
Unverpackt	53
Erste Schritte	53
Standby Modus	54
Standby-Modus einstellen	54
Werkseinstellungen	54
Kaffe zubereitung	54
Passen Sie das Kaffeevolumen an	56
Reinigung	56
Innenrohre entleeren und reinigen	56
Kaffeemaschine abtropfen lassen	57
Entkalkung / Wartung der Kaffeemaschine	58
Sicherheitswarnungen	58
Fehlerbehebung	59

### POLSKI

Instrukcja bezpieczeństwa	59
Lista części	70
O tym podręczniku	70
Rozpakowanie	71
Pierwszy krok	71
Tryb czuwania	72
Ustawianie trybu czuwania	72
Ustawienia fabryczne	72
Przygotowanie kawy	72
Dostosuj ilość kawy	74
Czyszczenie	74
Opróżnianie i czyszczenie nur wewnętrznych	74
Opróżnij ekspres do kawy	75
Odkamienianie / Konserwacja ekspresu do kawy	76
Ostrzeżenia dotyczące bezpieczeństwa	76
Rozwiązywanie problemów	77

# ENGLISH

Thank you very much for choosing our coffee machine. Before using this product, carefully read the instructions for its correct use.

The included safety precautions reduce the risk of electric shock, injury, and even death if strictly followed. Keep this manual in a safe place for future reference, together with the duly completed product warranty card, the original product packaging, and proof of purchase. If possible, pass these instructions on to the next owner of the appliance. Always observe basic safety precautions and accident prevention rules when using an appliance. We decline any responsibility derived from the breach of these instructions by the clients.

## SECURITY INSTRUCTIONS

When using any electrical appliance, basic safety precautions should always be observed.

- Only connect the coffee maker to a properly grounded electrical outlet.
- To make sure the machine is turned off, remove the plug from the electrical outlet.
- Always disconnect the power cord before moving the machine around, cleaning or maintenance and long periods of disuse.
- Do not pull the cord over sharp edges, clamp it or allow it to hang.
- Do not unplug appliances by pulling from the cord; instead grab hold of the plug and disconnect it from the electrical outlet.
- If you need an extension cord, make sure it is suitable for your machine and place the cord securely.
- Never operate the machine without water.
- Always make sure that the amount of water in the tank is not below the minimum level.
- Do not use the machine in case of faulty operation, a damaged power cord or after falling or other damage.
- (In this case, please contact Customer Service.)
- Keep children away from the machine during operation.
- Only use the machine in a dry environment.
- Do not allow the power cord to hang too low, as there is a risk of tripping.
- This machine is designed for home use only.
- To avoid damage, never use spare parts or accessories not recommended by the manufacturer.
- Keep this appliance out of the reach of children or persons who do not have the necessary skills to use it unsupervised.
- If the power cord is damaged, it should be replaced by the manufacturer, dealer or a qualified service technician.
- Choose a dry, stable, level surface that is not immediately below the power outlet.
- It must be at least 60 cm away from the faucet.
- Never place it on flammable surfaces or equipment, fuses or other appliances (microwave, dishwasher, etc.).
- Never place the machine or power cord within 50 cm of hot surfaces or open flames.
- Never cover the unit during operation.
- This device is intended for domestic use and similar environments, such as: staff kitchen areas in shops, offices and other work environments; rural houses; hotels, motels and other residential environments.

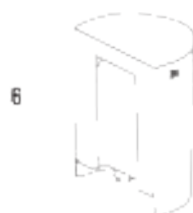
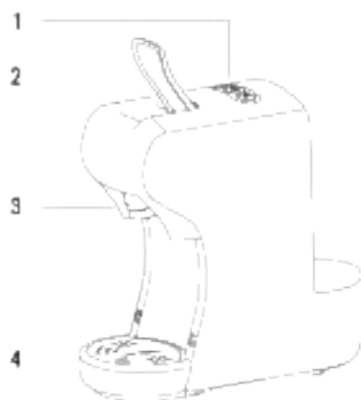
### Electrical Shock Hazard

- Never immerse the appliance in water or any other liquid.
- Damaged power cords may only be replaced by authorized service personnel, please contact customer service.
- Never touch the plug, outlet, cord, or machine with wet or damp hands.

### Danger of burns

- Never move the appliance during operation.
- Never touch very hot parts of the appliance (e.g. preparation unit during operations).
- Do not approach steam or liquid jets.
- Do not move the operating lever while the machine is still under pressure making coffee.
- Disconnect the power cord and allow the appliance to cool completely before cleaning or servicing.

## PARTS LIST



1. Control buttons: On/off, short coffee and long coffee.
2. Opening lever for changing the adapters.
3. Compartment for the adapters.
4. Adjustable cup support.

5. Water tank lid.
6. Water tank.
7. Adapter for Nespresso® capsules.
8. Adapter for Dolce Gusto™ capsules.
9. Adapter for ground coffee.

## ABOUT THIS MANUAL

This instruction manual cannot cover all possible circumstances. In case of doubts or problems not adequately described in this operating manual, you can obtain more information by contacting the Customer Service Department. Please keep this instruction manual for reference if necessary.

## UNPACKING

1. Remove your coffee machine from its packaging.
2. After unpacking, verify that the following parts are included:

- Water tank
- Coffee maker
- Manual
- Capsule and ground coffee adapters.

### Note:

- Verify that the voltage of the electrical current in your home or establishment is the same as that stated on the nameplate of the machine.
- Recycle all plastic bags to avoid hazards to children!
- Keep the packaging for transporting the machine (e.g. for disassembly, repair, etc.).

## GETTING STARTED

Before using your coffee maker for the first time, pay attention to the safety precautions in this manual, in particular the following:

- Be careful with the hot water! You could get burnt.
- Rinse the water tank thoroughly with clean water before the first use.
- Do not operate the unit with an empty water tank or if the water level is below the minimum level.
- Only use the appliance in a dry room.
- Do not open the lever when the machine is warming up or running.
- Always unplug the power cord before cleaning the machine.
- Clean the coffee maker only with a damp cloth.

**The first step is to fill the water tank; there are two ways to do this:**

### Fill without removing the tank.

1. Lift the water tank cover.
2. Fill the tank with clean water (maximum water temperature: 35°C).
3. Lower the tank cover.

### Fill by removing the water tank.

1. Slightly lift the water tank in the direction shown in the picture to remove the water tank from the appliance. Fill the tank to the "MAX" line with clean water (maximum capacity: 0.6 litres).
2. Slowly slide the water tank over the base of the water tank, performing the reverse procedure described above. When the water tank outlet is inserted into the inlet base, push down to lock the water tank.

### Warning:

There may be a drop of water left in the appliance. To ensure that this unit works perfectly, it was tested with water before it left the factory.

### Caution:

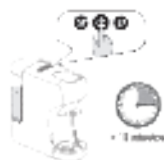
Improper handling of electrical equipment is dangerous and can be lethal.





## STANDBY MODE

- This appliance is in Standby mode by default. In this mode, the machine and all indicator lights will turn off after 16 minutes of inactivity.
- If the machine enters standby mode, press the start button to turn it back on.



## STANDBY MODE SETTING

- Hold down the Small Cup and Large Cup buttons.
- Connect the machine to the power outlet. The LED on the start button will light up.
- To activate the Standby Mode, press the small cup button and the LED light will turn on.
- Press again to deactivate Standby Mode and the LED light will turn off.



## FACTORY DEFAULT SETTING

- Press and hold the Large Cup button.
- Connect the machine to the power outlet.
- The LED on the button will turn on and blink twice, indicating that the machine has returned to the factory default setting.



## COFFEE PREPARATION

1. Connect the device to the mains socket. Press the start button.
2. Lift the top lever and pull it out to remove the adapter while the machine warms up.
3. Follow the instructions below to use each type of adapter:



**Nespresso® capsules**

**Nespresso® capsules:** Lift the capsule adapter lid. Insert a capsule into the adapter and lower the adapter lid.



#### Dolce Gusto™ capsules

**Dolce Gusto™ capsules:** Insert a capsule into the adapter.



#### Ground Coffee

**Ground Coffee:** Lift the adapter's lid and add the ground coffee. Press down to compact the ground coffee and lower the adapter's lid.

4. Push the adapter with the capsule in and close the lever downwards as shown in the picture.

5. Place a cup under the dispenser. Press the desired coffee button only once. The button will flash and the machine will begin preparation.



6. Once the brewing process is complete, the machine will automatically stop when the predetermined brewing time is reached. You can change the amount of coffee by adjusting the default brewing time to suit your taste. Refer to the "Coffee volume adjustment" section.

#### Predetermined brewing time:

- **Capsules**

16s for short espresso and 25s for long coffee.

- **Ground Coffee**

25s for short espresso and 47s for long coffee.

7. Lift the lever and remove the adapter to insert the new capsule you are going to use or to change the adapter.

#### Attention:

When the desired coffee button is pressed, its LED may blink for a few seconds first, and then start brewing coffee, which is quite normal.



## COFFEE VOLUME ADJUSTMENT

- You can change the amount of coffee by adjusting the default brewing time to suit your taste.

- **Volume adjustment for a small cup**

Place the cup under the coffee spout.

Press and hold the small cup button until you get the coffee you want (Min. 10s, Max. 90s).



- **Volume adjustment for a large cup**

Place the cup under the coffee spout.

Press and hold the large cup button until you get the coffee you want (Min. 10s, Max. 90s).



## CLEANING

- Be sure to disconnect the machine before cleaning.
- Never immerse the machine or part of it in water; you could suffer serious injury or even death by electric shock!
- Do not use any strong cleaning agent or solvent cleaner.
- Do not use pointy objects, brushes, abrasives or sharp objects.
- Do not clean the parts in a dishwasher.

### Cleaning the capsule and ground coffee adapters

- Empty the adapter tank and wash it with water. Dry the whole piece thoroughly with a napkin or dry cloth.



### Cleaning the appliance

- Wipe with a clean, damp cloth, reassemble all parts. Clean the coffee spout and preparation area regularly with a damp cloth.



## EMPTYING AND CLEANING THE INTERNAL PIPES

- Before using the machine again after long breaks (e.g., vacation), the machine must be rinsed thoroughly. This short procedure serves to thoroughly purge and clean the internal piping.

### Procedure

1. Fill the water tank with water (see "Getting started".)



2. Connect the device to the mains socket.



3. Press the start button.



4. The LEDs on the buttons will stabilize when the machine has warmed up. The warm-up time is approximately 45 seconds.

Before pressing the long coffee button, make sure that:

- The compartment lever is closed and there are no capsules inside.
- The water tank is full.
- The water tank is firmly in place, otherwise the water may leak.



5. Place a large cup (size 250ml or larger) under the dispenser.



6. Press the long coffee button and wait for the appliance to complete the rinse.



7. Do not lift the lever until the rinsing process stops automatically.

## DRAINING YOUR COFFEE MACHINE

- If there is no water flow in the coffee machine, it will be necessary to drain the internal water pump.
- This procedure may be necessary if the coffee maker is left unused for a long time or if it was activated without water in the tank.
- It is advisable to drain your coffee machine when you are going to use it for the first time.
- To drain the pump and use the coffee maker normally follow the following steps:
  1. Unplug the appliance and remove the water tank. Remove the capsules and capsule holders from the coffee maker and leave the drill lever down. Connect the plastic pump to the water inlet and remove the plunger.
  2. Add some water to the pump.
  3. Attach the plunger to the pump and push it to the end.
- The water contained in the pump will pass to the internal system, causing the air contained in the ducts to be eliminated.
- During this process, a little water may escape from the pin located on the upper back of the appliance, use a cloth so that the water does not drain on the table.
- If necessary, repeat this procedure 2 or 3 times.



## DESCALING/MAINTENANCE OF THE MACHINE

Drinking water varies by region. Lime particles from potable water are deposited as waste in the machine and can block the pipe and cause damage. To avoid this, be sure to decalcify the machine at least after making 300 to 400 cups of coffee or, in any case, if production drops significantly or after one or two months. Decalcification must be done correctly to avoid damage.

Carefully follow the instructions below.

1. Fill the tank with a mixture of water and a commercially available decalcifying liquid for coffee makers (always follow the manufacturer's instructions).
2. Make sure there are no capsules inside the machine.
3. Place a large container under the dispensing head to collect the mixture and lime residue.
4. Press the Large Cup button to perform decalcification. Repeat the process several times until all the water in the tank is used up.
5. Repeat the process to rinse the internal circuit with a tank of clean water (no decalcifying liquid) to completely clean the internal circuit and ensure the good taste of your drinks.

### Important:

- Use extreme caution with hot water!
- Never clean the machine with vinegar. This will damage the machine and make the drinks taste bad.
- Damage caused by incorrect decalcification or lack of decalcification is not covered by the warranty.

## SECURITY WARNINGS



Do not wet the machine or put it in the water.



Do not lift the lever while using the brewer.



Do not touch the top of the adapter when removing it from the compartment, as it is very hot and could cause burns.



There is a sharp needle on the top of the capsule adapter. Do not place your hand underneath or near it as it may get punctured.



Do not switch on or use the appliance if there is no water in the tank.

## TROUBLESHOOTING

PROBLEM	CAUSE	SOLUTION
There's no coffee coming out.	The water tank is empty.	Fill the water tank with water.
The coffee's not hot enough.	The coffee maker is cold.	Wait the indicated time for heating.
	Lime buildup.	Carry out decalcification.
There is water at the bottom of the machine.	The water tank is leaking.	Check to see if the tank's valve is clogged.
	The bottom drip tray is filled with water.	Empty the drip tray.
	The capsule/coffee adapter is not in place.	Check and attach the adapter correctly.
The lever won't close.	Do not overfill the ground coffee adapter, if you force the lever too much due to excess coffee it may break.	Fill and press the coffee lightly without overflowing or being too compact.



In compliance with Directives 2012/19/EU and 2015/853/EU on the restriction of the use of dangerous substances in electric and electronic equipment as well as their waste disposal. The symbol with the crossed dustbin shown on the package indicates that the product at the end of its service life should be collected as separate waste. Therefore, any products that have reached the end of their useful life must be given to waste disposal centres specialising in separate collection of waste electrical and electronic equipment, or given back to the retailer at the time of purchasing new similar equipment, on a one-for-one basis. The adequate separate collection for the subsequent start-up of the equipment sent to be recycled, treated and disposed of in an environmentally compatible way contributes to preventing possible negative effects on the environment and health and optimises the recycling and reuse of components making up the apparatus. A correct disposal of the product by the user involves application of the administrative sanctions according to the laws.

Muchas gracias por elegir nuestra cafetera. Antes de utilizar este producto, lea detenidamente las instrucciones para su correcta utilización.

Las precauciones de seguridad incluidas reducen el riesgo de sufrir una descarga eléctrica, lesiones o incluso la muerte si se respetan estrictamente. Guarde este manual en un lugar seguro para consultarlo en el futuro, junto con la tarjeta de garantía del producto debidamente cumplimentada, el embalaje original del producto y el justificante de compra. Si es posible, entregue estas instrucciones al siguiente propietario del electrodoméstico. Respete en todo momento las precauciones de seguridad básicas y las normas de prevención de accidentes cuando utilice un electrodoméstico. Declinamos toda responsabilidad derivada del incumplimiento de estas instrucciones por parte de los clientes.

## INSTRUCCIONES DE SEGURIDAD

Al usar cualquier aparato eléctrico, siempre se deben observar precauciones básicas de seguridad.

- Conecte la máquina de café solo a una toma eléctrica con conexión a tierra adecuada.
- Para asegurarse de que la máquina esté apagada, quite el enchufe de la toma eléctrica.
- Desconecte siempre el cable de alimentación antes de cambiar de sitio la máquina, vaya a limpiarla o a realizar tareas de mantenimiento y para largos períodos sin uso.
- Nunca sujete ni pase el cable de alimentación sobre esquinas o bordes puntiagudos.
- Nunca desenchufe el cable de alimentación tirando de él; agarre siempre el enchufe.
- Si necesita un cable de extensión, asegúrese de que sea adecuado para su máquina y coloque el cable de forma segura.
- Nunca utilice la máquina sin agua.
- Asegúrese siempre de que la cantidad de agua del depósito no sea inferior al nivel mínimo.
- No use la máquina en caso de funcionamiento defectuoso, cable de alimentación dañado o después de caer u otro daño.
- En tales casos, póngase en contacto con el servicio de Atención al Cliente.
- Mantenga a los niños alejados de la máquina durante el funcionamiento.
- Solo use la máquina en ambientes secos.
- No permita que el cable de alimentación cuelgue demasiado, corre el peligro de tropezar.
- Esta máquina está diseñada solo para uso doméstico.
- Para evitar daños, nunca use piezas de repuesto o accesorios no recomendados por el fabricante.
- Mantenga este aparato fuera del alcance de niños o personas que no reúnan las capacidades necesarias para utilizarlo sin supervisión.
- Si el cable de alimentación está dañado, debe ser reemplazado por el fabricante, el vendedor o un Servicio Técnico cualificado.
- Elija una superficie de soporte seca, estable y nivelada que no esté inmediatamente debajo de la toma de corriente.
- Debe estar separada al menos 80 cm del lavabo y los grifos.
- Nunca lo coloque sobre superficies o equipos inflamables, fusibles o aparatos termo-eléctricos (microondas, lavavajillas, etc.)
- Nunca coloque la máquina o el cable de alimentación a menos de 50 cm de superficies calientes o llamas abiertas.
- Nunca cubra la máquina durante el funcionamiento.

- Este dispositivo está destinado a ser utilizado en el ámbito doméstico y similares, tales como: Áreas de cocina del personal en tiendas, oficinas y otros ambientes de trabajo; casas rurales; hoteles, moteles y otros entornos residenciales.

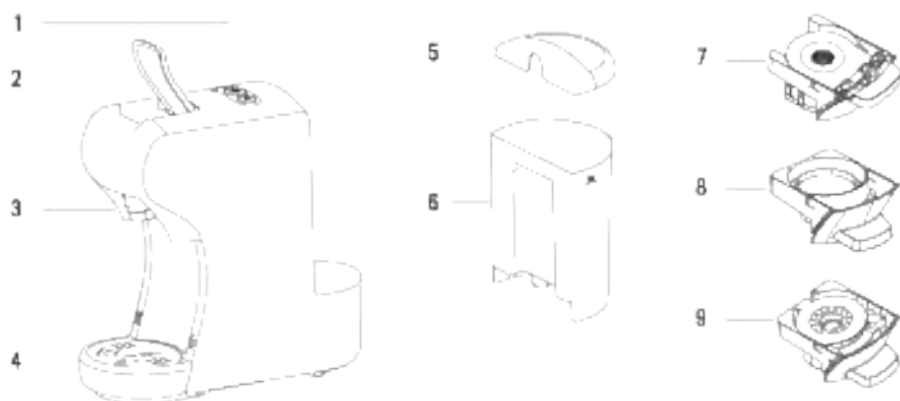
#### **Peligro por descargas eléctricas**

- Nunca sumerja la máquina en agua ni en ningún otro líquido.
- Los cables de alimentación dañados solo pueden ser reemplazados en el Servicio Técnico, contacte con atención al cliente.
- Nunca toque el enchufe, la toma de corriente, el cable o la máquina con las manos húmedas o mojadas.

#### **Peligro por quemaduras**

- Nunca mueva la máquina durante el funcionamiento.
- Nunca toque las partes muy calientes de la máquina (por ejemplo, la unidad de preparación durante las operaciones).
- No se aproxime al vapor ni a los chorros de líquido.
- No mueva la palanca cuando la máquina todavía está bajo presión haciendo café.
- Desconecte el cable de alimentación y deje que la máquina se enfríe por completo antes de realizar la limpieza o el mantenimiento.

### LISTA DE PARTES



- |  |  |
|--|--|
| 1. Botones de control. Encendido, café corto y café largo. | 5. Tapa del depósito de agua.            |
| 2. Palanca de apertura para el cambio de adaptadores.      | 6. Depósito de agua.                     |
| 3. Compartimento para los adaptadores.                     | 7. Adaptador para cápsulas Nespresso®.   |
| 4. Soporte ajustable para tazas.                           | 8. Adaptador para cápsulas Dolce Gusto™. |
|  | 9. Adaptador para café molido.           |

### ACERCA DE ESTE MANUAL

Este manual de instrucciones no puede abarcar todas las circunstancias posibles. En caso de dudas o problemas no descritos adecuadamente en este manual de operación, puede obtener más información contactando con el servicio de Atención al Cliente. Guarde este manual de instrucciones para consultarlo en caso de que fuera necesario.



## DESEMPAQUETADO

1. Extraiga la máquina de café de su embalaje.
  2. Después de desempaquetarla, verifique que se incluyen las siguientes partes:
    - Depósito de agua
    - Máquina de café
    - Manual
    - Adaptadores de cápsulas y café molido.
- **Nota:**
- Verifique que la tensión de la corriente eléctrica de su hogar, sea la misma que la marcada en la placa de características de la máquina.
  - Recicle todas las bolsas de plástico para evitar peligros para los niños.
  - Guarde el embalaje para transportar la máquina (por ejemplo, para desmontar, reparar, etc.).

## PRIMEROS PASOS

Antes de utilizar su máquina de café por primera vez, preste atención a las precauciones de seguridad de este manual, en particular las siguientes:

- Tenga cuidado con el agua caliente. Podría sufrir quemaduras.
- Enjuague bien el depósito de agua con agua limpia antes del primer uso.
- No utilice la máquina con el depósito de agua vacío o si el nivel de agua es inferior al mínimo.
- Solo use la máquina en una habitación seca.
- No abra la palanca cuando la máquina esté calentándose o funcionando.
- Desenchufe siempre el cable de alimentación antes de limpiar la máquina.
- Limpie la máquina de café solo con un paño húmedo.

**El primer paso es llenar el depósito de agua, hay dos formas de hacerlo:**

**Llenar sin quitar el depósito.**

1. Levante la tapa del depósito de agua
2. Llene el depósito con agua limpia (la temperatura máxima del agua es de 35 °C)
3. Baje la tapa del depósito

**Llenar quitando el depósito de agua.**

1. Levante levemente el depósito de agua en la dirección que se muestra en la imagen para extraer el depósito de agua de la máquina. Llene el depósito hasta la marca «MAX» con agua limpia (la capacidad máxima es de 0,6 litros).
2. Deslice el depósito de agua lentamente sobre la base del depósito realizando el procedimiento inverso del punto anterior. Cuando la salida del depósito de agua esté insertada en la base de entrada empuje hacia abajo para bloquear el depósito de agua.

**Atención:**

Es posible que quede alguna gota de agua en la máquina. Para garantizar que esta máquina funcione a la perfección, se probó con agua antes de salir de la fábrica.

**Precaución:**

El manejo inadecuado de equipos eléctricos es peligroso y puede ser letal.



## MODO STANDBY

- En la configuración predeterminada de fábrica, la máquina dispone del modo "Standby". En este modo la máquina y todas las luces indicadoras se apagarán después de 15 minutos de inactividad.
- Si la máquina entra en modo de espera, pulse el botón de inicio para volver a activarla.



## AJUSTE DEL MODO STANDBY

- Mantenga presionados los botones de Taza Pequeña y Taza Grande.
- Conecte la máquina a la toma de corriente. Se encenderá la luz LED del botón de Inicio.
- Al presionar el botón de taza pequeña, se encenderá la luz LED del botón de taza pequeña, activando el modo de espera "Standby".
- Al presionar de nuevo el botón de taza pequeña, se apagará la luz LED del botón de taza pequeña, desactivando el modo de espera "Standby".



## CONFIGURACIÓN PREDETERMINADA DE FÁBRICA

- Mantenga presionado el botón de Taza Grande.
- Conecte la máquina a la toma de corriente.
- La luz LED del botón se encenderá y parpadeará dos veces, señal de que la máquina ha vuelto a la configuración predeterminada de fábrica.



## PREPARACIÓN DEL CAFÉ

1. Conecte la máquina a la corriente y pulse el botón de encendido.



2. Mientras la máquina se calienta, levante la palanca superior y tire hacia afuera para sacar el adaptador.



3. Siga las siguientes instrucciones para utilizar cada tipo de adaptador:



### Nespresso® cápsulas

**Cápsulas Nespresso®:** Levante la tapa del adaptador de la cápsula. Inserte una cápsula en el interior del adaptador y baje la tapa del adaptador.



#### Dolce Gusto™ cápsulas

**Cápsulas Dolce Gusto™:** Inserte una cápsula en el interior del adaptador.



#### Café molido

**Café molido:** Levante la tapa del adaptador y añada el café molido. Presione hacia abajo para compactar el café y baje la tapa del adaptador.

4. Empuje el adaptador con la cápsula dentro y cierre la palanca hacia abajo, tal y como se indica en la imagen.



5. Coloque una taza debajo del dispensador. Presione el botón de café deseado solo una vez. El botón parpadeará y la máquina comenzará la preparación.



6. Una vez completado el proceso de preparación, la máquina se detendrá automáticamente al alcanzar el tiempo de preparación predeterminado. Puede modificar la cantidad de café ajustando el tiempo de preparación predeterminado para adaptarlo a sus gustos. Consulte la sección "Personalizar el volumen de café".



#### Tiempo de preparación predeterminado:

- **Cápsulas**

16s para café corto y 25s para café largo.

- **Café molido**

25s para café corto y 47s para café largo.

7. Levante la palanca y saque el adaptador para insertar la nueva cápsula que vaya a usar o para cambiar de adaptador.

#### Atención:

Al presionar el botón del café deseado, quizás su LED parpadee unos segundos primero, para después comenzar a preparar el café, es algo totalmente normal.

## PERSONALIZAR EL VOLUMEN DE CAFÉ

- Puede modificar la cantidad de café ajustando el tiempo de preparación predefinido para adaptarlo a sus gustos.

### • Ajuste el volumen para taza pequeña

Coloque la taza debajo de la salida de café.

Mantenga presionado el botón de la taza pequeña hasta que obtenga el café que desea (min. 10s, max. 90s).



### • Ajuste el volumen para taza grande

Coloque la taza debajo de la salida de café.

Mantenga presionado el botón de la taza grande hasta que obtenga el café que desea (min. 10s, max. 90s).



## LIMPIEZA

- Asegúrese de desconectar la máquina antes de limpiarla.
- Nunca sumerja la máquina o parte de ella en el agua, ¡podría sufrir graves daños o incluso la muerte por descarga eléctrica!
- No use ningún agente de limpieza fuerte o limpiador disolvente.
- No use objetos punzantes ni cepillos, abrasivos o cortantes.
- No limpie las piezas en un lavavajillas.

### Limpieza de los adaptadores de cápsulas y de café

- Vacíe el depósito del adaptador y lávelo con agua. Seque bien toda la pieza con una servilleta o paño seco.



### Limpieza de la máquina

- Limpie con un paño o papel limpio y húmedo, vuelva a montar todas las piezas. Limpie la salida de café y la zona de preparación regularmente con un paño húmedo.

## VACIADO Y LIMPIEZA DE LAS TUBERÍAS INTERNAS

- Antes de usar la máquina de nuevo después de largas pausas (por ejemplo, vacaciones), la máquina debe enjuagarse bien. Este breve procedimiento sirve para purgar y limpiar la tubería interna a fondo.

### Procedimiento

1. Llene el depósito de agua (consulte el apartado "Primeros pasos").



2. Conecte el aparato a la toma de corriente.



3. Presione el botón de encendido.



4. Los LEDs de los botones se estabilizarán cuando la máquina se haya calentado. El tiempo de calentamiento es de aproximadamente 45 segundos.

Antes de presionar el botón de café largo, asegúrese de que:

- La palanca del compartimento está cerrada y sin ninguna cápsula dentro.
- El depósito de agua está lleno.
- El depósito de agua está firmemente en su lugar, de lo contrario el agua puede tener fugas.



5. Coloque una taza grande (tamaño 250ml o superior) debajo del dispensador.



6. Presione el botón del café largo y espere a que el aparato complete el enjuague.



7. No levante la palanca hasta que el proceso de enjuague se detenga automáticamente.

## DRENAJE DE LA CAFETERA

- Si no hay flujo de agua en la máquina de café, será necesario drenar la bomba de agua interna.
- Este procedimiento puede ser necesario si la cafetera no se usa durante mucho tiempo o si se activó sin agua en el depósito.
- Es aconsejable drenar la cafetera cuando la vaya a utilizar por primera vez.
- Para drenar la bomba y usar la cafetera con normalidad siga los siguientes pasos:

1. Desenchufe el aparato y retire el depósito de agua. Retire las cápsulas y los soportes para cápsulas de la cafetera y baje la palanca. Conecte el accesorio de plástico a la entrada de agua y retire el émbolo.
2. Agregue un poco de agua.
3. Conecte el émbolo al accesorio bombeador y empújelo hasta el final.

- El agua contenida en la bomba pasará al sistema interno, provocando la eliminación del aire contenido en los conductos.
- Durante este proceso, puede salir un poco de agua por el pasador ubicado en la parte superior trasera del aparato, utilice un paño para que el agua no caiga sobre la mesa.
- Si es necesario, repita este procedimiento 2 o 3 veces.



## DESCALCIFICACIÓN/MANTENIMIENTO DE LA CAFETERA

El agua potable varía según la región. Las partículas de cal del agua potable se depositan como residuos en la máquina y puede bloquear la tubería y causar daños. Para evitar esto, asegúrese de descalcificar el máquina por lo menos después de hacer 300 a 400 tazas de café o, en cualquier caso, si la producción cae significativamente o, después de uno o dos meses. La descalcificación debe hacerse correctamente para evitar daños.

1. Siga atentamente las siguientes instrucciones.
2. Llene el depósito con una mezcla de agua y líquido descalcificante especial para cafeteras disponible en el mercado (siga siempre las instrucciones del fabricante).
3. Asegúrese de que no haya ninguna cápsula dentro de la máquina.
4. Coloque un recipiente grande debajo del cabezal de dispensación para recoger la mezcla y los residuos de cal.
5. Presione el botón de Taza Grande para ejecutar la descalcificación. Repita el proceso varias veces hasta que se agote todo el agua del depósito.
6. Repita el proceso para enjuagar el circuito interno con un depósito de agua limpia (sin líquido descalcificante.) para limpiar completamente el circuito interno y asegurar el buen sabor de sus bebidas.

### Importante

- ¡Tenga mucha precaución con el agua caliente!
- Nunca limpie la máquina con vinagre. Esto causará daños a la máquina y hará que las bebidas tengan mal sabor.
- El daño causado por una descalcificación incorrecta o falta de descalcificación, no está cubierto por la garantía.

## PRECAUCIONES DE SEGURIDAD



No moje la máquina o la introduzca en el agua.



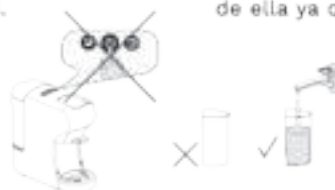
No levante la tapa superior mientras se esté usando la cafetera.



No toque la parte superior del adaptador cuando lo saque del compartimento, ya que está muy caliente y podría sufrir quemaduras.



Hay una aguja afilada en la parte superior del adaptador de la cápsula. No ponga la mano ni por debajo ni cerca de ella ya que podría pincharse.



No encienda ni use la máquina si no hay agua en el depósito.

## RESOLUCIÓN DE PROBLEMAS

PROBLEMA	CAUSA	SOLUCIÓN
No sale café.	El depósito de agua está vacío.	Llene el depósito de agua.
El café no está suficientemente caliente.	La máquina está fría.	Espere el tiempo indicado para el calentamiento.
	Acumulación de cal.	Realice la descalcificación.
Hay agua derramada.	El depósito de agua tiene fugas.	Verifique si la válvula del depósito está atascada.
	La bandeja inferior de goteo está llena de agua.	Vacíe la bandeja de goteo.
La palanca no puede cerrarse.	El adaptador de cápsulas/café no está bien colocado.	Revise y coloque el adaptador correctamente.
	No llene en exceso el adaptador de café molido, si fuerza la palanca demasiado por exceso de café, esta podría romperse.	Llenar y presionar el café ligeramente sin que rebose ni resulte demasiado compacto.



En cumplimiento de las directivas 2012/19 / UE y 2015/863 / UE sobre la restricción del uso de sustancias peligrosas en equipos eléctricos y electrónicos, así como su eliminación de residuos. El símbolo con el cabe de basura cruzado que se muestra en el paquete indica que el producto al final de su vida útil se recogerá como residuo separado. Por lo tanto, cualquier producto que haya llegado al final de su vida útil debe entregarse a centros de eliminación de residuos especializados en la recogida selectiva de equipos eléctricos y electrónicos de desecho, o devolverse al minorista al momento de comprar equipos nuevos similares, en uno para una base. La recolección separada adecuada para la posterior puesta en marcha de los equipos enviados para ser reciclados, tratados y eliminados de una manera compatible con el medio ambiente contribuye a prevenir posibles efectos negativos sobre el medio ambiente y la salud y optimiza el reciclaje y la reutilización de las componentes que componen el aparato. La eliminación abusiva del producto por parte del usuario implica la aplicación de las sanciones administrativas de acuerdo con las leyes.

# PORTUGUÊS

Muito obrigado por escolher nossa cafeteira. Antes de usar este produto, leia atentamente as instruções para seu uso correto.

As precauções de segurança incluídas reduzem o risco de choque elétrico, ferimentos e até morte, se obedecidas estritamente. Guarde este manual em um lugar seguro para referência futura, junto com o cartão de garantia do produto devidamente preenchido, a embalagem original do produto e o comprovante de compra. Se possível, passe essas instruções ao próximo proprietário do aparelho. Sempre siga as precauções básicas de segurança e as regras de prevenção de acidentes ao usar um aparelho. Declinamos qualquer responsabilidade derivada da violação dessas instruções por parte dos clientes.

## INSTRUÇÕES DE SEGURANÇA

Ao usar qualquer aparelho elétrico, as precauções básicas de segurança devem sempre ser observadas.

- Conecte a máquina de café somente a uma tomada elétrica devidamente aterrada.
- Para se certificar de que a máquina está desligada, remova o plugue da tomada elétrica.
- Sempre desconecte o cabo de alimentação antes de mover a máquina, vá limpá-la ou realizar tarefas de manutenção e por longos períodos sem uso.
- Nunca segure ou passe o cabo de alimentação sobre cantos ou arestas afiadas.
- Nunca desconecte o cabo de alimentação puxando-o; sempre segure o plugue.
- Se você precisar de um cabo de extensão, certifique-se de que seja adequado para sua máquina e coloque o cabo com segurança.
- Nunca use a máquina sem água.
- Certifique-se sempre de que a quantidade de água no tanque não seja inferior ao nível mínimo.
- Não use a máquina em caso de mau funcionamento, cabo de alimentação danificado ou após queda ou outros danos.
- Nesses casos, entre em contato com o Atendimento ao Cliente.
- Mantenha as crianças longe da máquina durante a operação.
- Use a máquina apenas em ambientes secos.
- Não deixe o cabo de alimentação pendurado muito baixo, você corre o risco de tropeçar.
- Esta máquina foi projetada apenas para uso doméstico.
- Para evitar danos, nunca use peças de reposição ou acessórios não recomendados pelo fabricante.
- Mantenha este aparelho fora do alcance de crianças ou pessoas não qualificadas para uso sem supervisão.
- Se o cabo de alimentação estiver danificado, deve ser substituído pelo fabricante, pelo vendedor ou por um Serviço Técnico qualificado.
- Escolha uma superfície de suporte seca, estável e nivelada que não esteja imediatamente abaixo da saída.
- Deve estar a pelo menos 80 cm de distância da pia e das torneiras.
- Nunca coloque sobre superfícies ou equipamentos inflamáveis, fusíveis ou aparelhos termoeletrônicos (micro-ondas, lava-louças, etc.)
- Nunca coloque a máquina ou o cabo de alimentação a 50 cm de superfícies quentes ou chamas abertas.



- Nunca cubra a máquina durante a operação.
- Este dispositivo deve ser usado em ambiente doméstico e semelhantes, como: Áreas de cozinha para funcionários em lojas, escritórios e outros ambientes de trabalho; casas rurais; hotéis, motéis e outros ambientes residenciais.

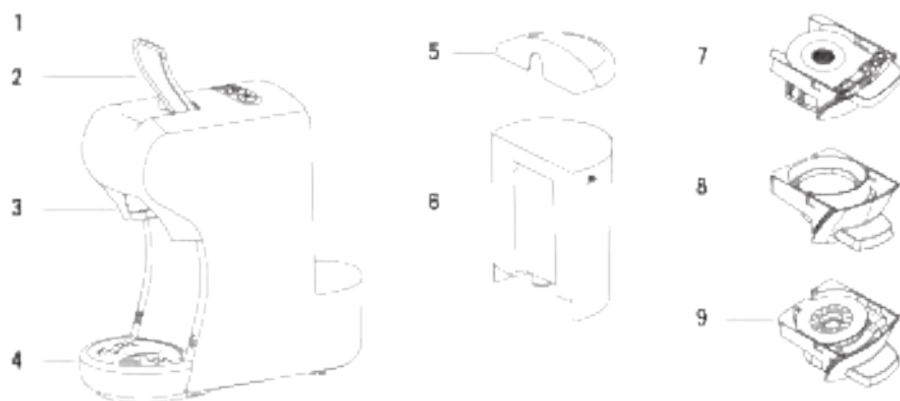
#### Perigo de choque elétrico

- Nunca mergulhe a máquina em água ou qualquer outro líquido.
- Cabos de alimentação danificados só podem ser substituídos pelo Serviço Técnico, entre em contato com o atendimento ao cliente.
- Nunca toque na ficha, tomada, cabo ou máquina com as mãos húmidas ou molhadas.

#### Perigo de queimadura

- Nunca mova a máquina durante a operação.
- Nunca toque nas partes muito quentes da máquina (por exemplo, a unidade de infusão durante as operações).
- Não se aproxime de vapor ou jatos de líquido.
- Não mova a alavanca quando a máquina ainda estiver sob pressão para fazer café.
- Desconecte o cabo de alimentação e deixe a máquina esfriar completamente antes de limpar ou fazer manutenção.

### LISTA DE PEÇAS



- |  |   |
|--|---|
| <ol style="list-style-type: none"> <li>1. Botões de controle. On, café curto e café longo.</li> <li>2. Alavanca de abertura para troca de adaptadores.</li> <li>3. Compartimento para adaptadores.</li> <li>4. Porta-copos ajustável.</li> </ol> | <ol style="list-style-type: none"> <li>5. Tampa do tanque de água.</li> <li>6. Deposito de água.</li> <li>7. Adaptador para cápsulas Nespresso®.</li> <li>8. Adaptador para cápsula Dolce Gusto™.</li> <li>9. Adaptador para café moído.</li> </ol> |
|--|---|

### SOBRE ESTE MANUAL

Este manual de instruções não pode cobrir todas as circunstâncias possíveis. Em caso de dúvidas ou problemas não descritos adequadamente neste manual de operação, você poderá obter mais informações entrando em contato com a Central de Atendimento. Guarde este manual de instruções para referência futura.

## DESEMPACOTADO

1. Retire a máquina de café da embalagem.
  2. Após desembalar, verifique se as seguintes peças estão incluídas:
    - Depósito de água
    - Máquina de café
    - Manual
    - Adaptadores para cápsulas e café moído.
- **Nota:**
- Verifique se a voltagem da corrente elétrica em sua casa é a mesma marcada na placa de características da máquina.
  - Recicle todos os sacos plásticos para evitar perigos para as crianças.
  - Guarde a embalagem para o transporte da máquina (por exemplo, para desmontagem, reparo, etc.).

## PRIMEIROS PASSOS

Antes de usar sua máquina de café pela primeira vez, preste atenção às precauções de segurança neste manual, em particular as seguintes:

- Cuidado com a água quente. Você pode se queimar.
- Enxágue bem o tanque de água com água limpa antes do primeiro uso.
- Não use a máquina com o reservatório de água vazio ou se o nível de água estiver abaixo do mínimo.
- Use a máquina apenas em um ambiente seco.
- Não abra a alavanca quando a máquina estiver esquentando ou funcionando.
- Sempre desconecte o cabo de alimentação antes de limpar a máquina.
- Limpe a máquina de café apenas com um pano úmido.

O primeiro passo é encher a caixa d'água, existem duas formas de fazê-lo:

**Encha sem remover o tanque.**

1. Levante a tampa do tanque de água
2. Encha o tanque com água limpa (a temperatura máxima da água é 35°C)
3. Abaixee a tampa do tanque

**Encha removendo o tanque de água.**

1. Levante ligeiramente o tanque de água na direção mostrada na imagem para removê-lo da máquina. Encha o tanque até a marca «MAX» com água limpa (a capacidade máxima é de 0,6 litros).
2. Deslize o tanque de água lentamente para a base do tanque, fazendo o inverso do ponto anterior. Quando a saída do tanque de água for inserida na base de entrada, empurre para baixo para travar o tanque de água.

**Atenção:**

Uma gota d'água pode permanecer na máquina. Para garantir que esta máquina funcione perfeitamente, ela foi testada com água antes de sair da fábrica.

**Cuidado:**

O manuseio incorreto de equipamentos elétricos é perigoso e pode ser letal.



## MODO DE ESPERA

- Nas configurações padrão de fábrica, a máquina está no modo "Standby". Neste modo, a máquina e todas as luzes indicadoras desligarão após 15 minutos de inatividade.
- Se a máquina entrar no modo de espera, pressione o botão Iniciar para reativá-la.



## CONFIGURANDO O MODO DE ESPERA

- Pressione e segure os botões de xícara pequena e xícara grande.
- Conecte a máquina à tomada elétrica. O LED do botão Iniciar acenderá.
- Pressionar o botão do copo pequeno acenderá o LED no botão do copo pequeno, ativando o modo "Standby".
- Pressionar o botão do copo pequeno novamente desligará o LED do botão do copo pequeno, desativando o modo "Standby".



## CONFIGURAÇÕES DE FÁBRICA

- Pressione e segure o botão Caneca grande.
- Conecte a máquina à tomada elétrica.
- A luz LED do botão acenderá e piscará duas vezes, indicando que a máquina retornou às configurações padrão de fábrica.



## PREPARAÇÃO DE CAFÉ

1. Conecte a máquina à energia e pressione o botão liga / desliga.
2. Enquanto a máquina está aquecendo, levante a alavanca superior e puxe para remover o adaptador.
3. Siga as instruções abaixo para usar cada tipo de adaptador:



**Nespresso® cápsulas**

**Cápsulas Nespresso®:** Levante a tampa do adaptador de cápsula. Insira uma cápsula no adaptador e abaixe a tampa do adaptador.



#### Dolce Gusto™ cápsulas

**Cápsulas Dolce Gusto™:** Insira uma cápsula dentro do adaptador.



#### Café moído

**Café moído:** Levante a tampa do adaptador e adicione o café moído. Pressione para compactar o café e abaixe a tampa do adaptador.

4. Empurre o adaptador com a cápsula dentro e feche a alavanca, conforme mostrado na imagem.



5. Coloque uma xícara sob o dispensador. Pressione o botão de café desejado apenas uma vez. O botão piscará e a máquina começará a se preparar.



6. Quando o processo de distribuição estiver concluído, a máquina irá parar automaticamente quando o tempo de distribuição predefinido for atingido. Você pode alterar a quantidade de café ajustando o tempo padrão de distribuição de acordo com o seu gosto. Consulte a seção "Personalização do volume do café".



#### Tempo de preparação padrão:

##### • Cápsulas

16s para café curto e 25s para café longo.

##### • Café moído

25s para café curto e 47s para café longo.

7. Levante a alavanca e puxe o adaptador para inserir a nova cápsula a ser usada ou para trocar o adaptador.

#### Atenção:

Ao pressionar o botão do café desejado, seu led pode piscar por alguns segundos primeiro, para depois começar a preparar o café, é algo totalmente normal.

## PERSONALIZE O VOLUME DO CAFÉ

• Você pode alterar a quantidade de café ajustando o tempo padrão de preparação de acordo com o seu gosto.

### • Ajuste o volume para o copo pequeno

Coloque a xícara sob a saída de café.

Pressione e segure o botão para a xícara pequena até obter o café desejado (mín. 10s, máx. 90s).



### • Ajuste o volume para copo grande

Coloque a xícara sob a saída de café.

Pressione e segure o botão na xícara grande até obter o café desejado (mín. 10s, máx. 90s).



## LIMPEZA

• Certifique-se de desconectar a máquina antes de limpá-la.

• Nunca mergulhe a máquina ou parte dela na água, você pode se ferir gravemente ou até morrer por choque elétrico!

• Não use nenhum agente de limpeza forte ou solvente de limpeza.

• Não use objetos pontiagudos ou escovas, abrasivos ou pontiagudos.

• Não lave as peças na máquina de lavar louça.

### Limpeza da cápsula e adaptadores de café

• Esvazie o reservatório do adaptador e lave-o com água. Seque bem toda a peça com um guardanapo ou pano seco.

### Limpeando a máquina

• Limpe com um pano úmido limpo ou papel, remonte todas as peças. Limpe regularmente a saída de café e a área de preparação com um pano úmido.



## ESVAZIAR E LIMPAR OS TUBOS INTERNOS

• Antes de usar a máquina novamente após longos intervalos (por exemplo, férias), a máquina deve ser bem enxaguada. Este breve procedimento é usado para purgar e limpar completamente a tubulação interna.

### Processo

1. Encha o tanque de água (consulte "Primeiros passos").



2. Conecte o aparelho à tomada de parede.



3. Pressione o botão liga / desliga.



4. Os LEDs dos botões se estabilizarão quando a máquina aquecer. O tempo de aquecimento é de aproximadamente 45 segundos.

Antes de pressionar o botão de café longo, certifique-se de que:

- A alavanca do compartimento está fechada e sem nenhuma cápsula dentro.
- O tanque de água está cheio.
- O tanque de água está bem encaixado, caso contrário, a água pode vazar.



5. Coloque um copo grande (250ml ou maior) sob o dispensador.



6. Pressione o botão de café longo e espere o aparelho terminar o enxágue.



7. Não levante a alavanca até que o processo de enxágue pare automaticamente.

## DRENE A CAFETEIRA

- Se não houver fluxo de água na máquina de café, será necessário esvaziar a bomba d'água interna.
- Este procedimento pode ser necessário se a cafeteira não for utilizada por um longo período ou se foi acionada sem água no reservatório.
- É aconselhável esvaziar a cafeteira quando for usá-la pela primeira vez.
- Para drenar a bomba e usar a cafeteira normalmente, siga estas etapas:

1. Desligue o aparelho e retire o depósito de água. Remova as cápsulas e os porta-cápsulas da cafeteira e baixe a alavanca. Conecte o encaixe de plástico à entrada de água e remova o êmbolo.
  2. Adicione um pouco de água.
  3. Conecte o êmbolo ao encaixe da bomba e empurre-o totalmente.
- A água contida na bomba passará para o sistema interno, causando a eliminação do ar contido nos dutos.
  - Durante este processo, pode sair um pouco de água pelo pino localizado na parte superior traseira do aparelho, use um pano para que a água não caia sobre a mesa.
  - Se necessário, repita este procedimento 2 ou 3 vezes.



## DESCALCIFICAÇÃO / MANUTENÇÃO DA MÁQUINA DE CAFÉ

A água potável varia de acordo com a região. Partículas de cálcio da água potável são depositadas como resíduos na máquina e podem bloquear a tubulação e causar danos. Para evitar isso, certifique-se de descalcificar a máquina pelo menos depois de fazer 300 a 400 xícaras de café ou, em qualquer caso, se a produção cair significativamente ou depois de um ou dois meses. A descalcificação deve ser feita corretamente para evitar danos.

Siga cuidadosamente as instruções abaixo.

1. Encha o reservatório com uma mistura de água e um líquido descalcificante disponível no mercado para cafeteiras (siga sempre as instruções do fabricante).
2. Certifique-se de que não há cápsulas dentro da máquina.
3. Coloque um recipiente grande sob o distribuidor para coletar a mistura e os resíduos de cálcio.
4. Pressione o botão Copo Grande para realizar a descalcificação. Repita o processo várias vezes até que toda a água do tanque se esgote.
5. Repita o processo para enxaguar o circuito interno com um tanque de água limpa (sem líquido descalcificante) para limpar completamente o circuito interno e garantir o bom gosto de suas bebidas.

### Importante:

- Tenha extremo cuidado com água quente!
- Nunca limpe a máquina com vinagre. Isso danificará a máquina e fará com que as bebidas tenham um gosto ruim.
- Danos causados por descalcificação incorreta ou falta de descalcificação não são cobertos pela garantia.

## AVISOS DE SEGURANÇA



Não molhe a máquina nem a coloque na água.



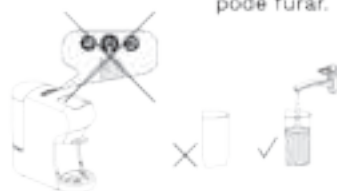
Não levante a alavanca ao usar a cafeteira.



Não toque na parte superior do adaptador ao removê-lo do compartimento, pois está muito quente e pode causar queimaduras.



Há uma agulha afiada na parte superior do adaptador da cápsula. Não coloque a mão por baixo ou perto dele, pois pode furar.



Não ligue nem utilize o aparelho se não houver água no reservatório.

## SOLUÇÃO DE PROBLEMAS

PROBLEMA	CAUSA	SOLUÇÃO
Não sai café.	O tanque de água está vazio.	Encha o tanque de água.
O café não está quente o suficiente.	A máquina está fria.	Aguarde o tempo indicado para aquecimento.
	Acúmulo de cal.	Faça a descalcificação.
Há água derramada.	O tanque de água está vazando.	Verifique se a válvula do reservatório está travada.
	A bandeja coletora inferior está cheia de água.	Esvazie a bandeja coletora.
A alavanca não pode ser fechada.	O adaptador de cápsula / café não está encaixado corretamente.	Verifique e posicione o adaptador corretamente.
	Não encha demais o adaptador de café moído, se você forçar muito a alavanca através do excesso de café, ele pode quebrar.	Encha e pressione levemente o café sem transbordar ou ficar muito compacto.



Em conformidade com as diretivas 2012/19 / UE e 2015/863 / UE sobre a restrição do uso de substâncias perigosas em equipamentos elétricos e eletrônicos, bem como a eliminação de resíduos. O símbolo com o caixote do lixo cruzado mostrado na embalagem indica que o produto ao final de sua vida útil será coletado como lixo separado. Portanto, qualquer produto que tenha atingido o fim de sua vida útil deve ser entregue a centros especializados de eliminação de resíduos para coleta seletiva de equipamentos elétricos e eletrônicos, ou devolvido ao varejista ao comprar equipamentos novos similares, em um para uma base. A coleta seletiva apropriada para o comissionamento subsequente do equipamento enviado para reciclagem, tratamento e descarte de maneira ecológica ajuda a evitar possíveis efeitos negativos no meio ambiente e na saúde e otimiza a reciclagem e reutilização de os componentes que compõem o dispositivo. A eliminação abusiva do produto pelo usuário implica a aplicação de sanções administrativas de acordo com as leis.



# FRANÇAIS

Merci beaucoup d'avoir choisi notre cafetière. Avant d'utiliser ce produit, lisez attentivement les instructions pour son utilisation correcte.

Les précautions de sécurité incluses réduisent le risque de choc électrique, de blessure et même de mort si elles sont strictement respectées. Veuillez conserver ce manuel dans un endroit sûr pour référence ultérieure, avec la carte de garantie du produit dûment remplie, l'emballage d'origine du produit et la preuve d'achat. Si possible, transmettez ces instructions au prochain propriétaire de l'appareil. Suivez toujours les précautions de sécurité de base et les règles de prévention des accidents lors de l'utilisation d'un appareil. Nous déclinons toute responsabilité découlant du non-respect de ces instructions par les clients.

## INSTRUCTIONS DE SÉCURITÉ

Lors de l'utilisation d'un appareil électrique, des précautions de sécurité de base doivent toujours être observées.

- Branchez la machine à café uniquement sur une prise électrique correctement mise à la terre.
- Pour vous assurer que la machine est éteinte, retirez la fiche de la prise électrique.
- Débranchez toujours le cordon d'alimentation avant de déplacer la machine, d'aller la nettoyer ou d'effectuer des tâches de maintenance et pendant de longues périodes de non-utilisation.
- Ne tenez ou ne faites jamais passer le cordon d'alimentation sur des coins ou des bords tranchants.
- Ne débranchez jamais le cordon d'alimentation en le tirant; tenez toujours la fiche.
- Si vous avez besoin d'une rallonge, assurez-vous qu'elle convient à votre machine et posez le cordon correctement.
- N'utilisez jamais la machine sans eau.
- Assurez-vous toujours que la quantité d'eau dans le réservoir n'est pas inférieure au niveau minimum.
- N'utilisez pas la machine en cas de dysfonctionnement, de cordon d'alimentation endommagé ou après une chute ou d'autres dommages.
- Dans de tels cas, veuillez contacter le service client.
- Tenez les enfants éloignés de la machine pendant son fonctionnement.
- N'utilisez la machine que dans des environnements secs.
- Ne laissez pas le cordon d'alimentation pendre trop bas, vous risquez de trébucher.
- Cette machine est conçue pour un usage domestique uniquement.
- Pour éviter tout dommage, n'utilisez jamais de pièces de rechange ou d'accessoires non recommandés par le fabricant.
- Gardez cet appareil hors de la portée des enfants ou des personnes non qualifiées pour une utilisation sans surveillance.
- Si le cordon d'alimentation est endommagé, il doit être remplacé par le fabricant, le vendeur ou un service technique qualifié.
- Choisissez une surface de support sèche, stable et plane qui n'est pas immédiatement sous la prise.
- Il doit être à au moins 60 cm de l'évier et des robinets.
- Ne le placez jamais sur des surfaces ou équipements inflammables, des fusibles ou des appareils thermoélectriques (micro-ondes, lave-vaisselle, etc.)
- Ne placez jamais la machine ou le cordon d'alimentation à moins de 50 cm de sur-

faces chaudes ou de flammes nues.

- Ne couvrez jamais la machine pendant son fonctionnement.
- Cet appareil est destiné à être utilisé dans un environnement domestique et similaire, tel que: Les cuisines du personnel dans les magasins, les bureaux et autres environnements de travail; des maisons rurales; hôtels, motels et autres environnements résidentiels.

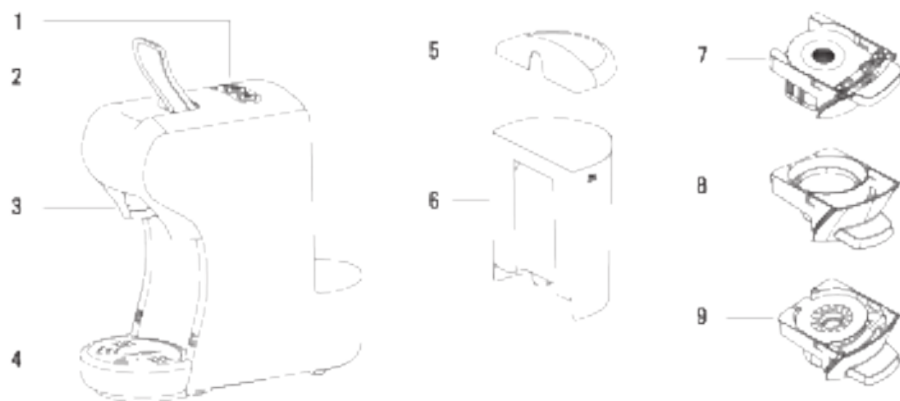
#### Risque d'électrocution

- Ne plongez jamais la machine dans l'eau ou tout autre liquide.
- Les câbles d'alimentation endommagés ne peuvent être remplacés que par le service technique, contactez le service client.
- Ne touchez jamais la fiche, la prise, le cordon ou la machine avec des mains humides ou mouillées.

#### Risque de brûlure

- Ne déplacez jamais la machine pendant son fonctionnement.
- Ne touchez jamais les pièces très chaudes de la machine (par exemple, l'unité de percolation pendant les opérations).
- Ne vous approchez pas de vapeur ou de jets de liquide.
- Ne déplacez pas le levier lorsque la machine est encore sous pression pour préparer du café.
- Débranchez le cordon d'alimentation et laissez la machine refroidir complètement avant le nettoyage ou l'entretien.

### LISTE DES PIÈCES



1. Boutons de contrôle. Sur, café court et café long.
2. Levier d'ouverture pour changer les adaptateurs.
3. Compartiment pour adaptateurs.
4. Porte-gobelet réglable.

5. Couvercle du réservoir d'eau.
6. Réservoir d'eau.
7. Adaptateur pour capsules Nespresso®.
8. Adaptateur capsule Dolce Gusto™.
9. Adaptateur pour café moulu.

### À PROPOS DE CE MANUEL

Ce manuel d'instructions ne peut pas couvrir toutes les circonstances possibles. En cas de doute ou de problème mal décrit dans ce manuel d'utilisation, vous pouvez obtenir plus d'informations en contactant le service client. Conservez ce manuel d'instructions pour référence future.

## DÉBALLÉ

1. Sortez la machine à café de son emballage.
2. Après le déballage, vérifiez que les pièces suivantes sont incluses:

- Réservoir d'eau
- Machine à café
- Manuel
- Adaptateurs pour capsules et café moulu.

• **Remarque:**

- Vérifiez que la tension du courant électrique dans votre maison est la même que celle indiquée sur la plaque signalétique de la machine.
- Recyclez tous les sacs en plastique pour éviter les dangers pour les enfants.
- Conservez l'emballage pour le transport de la machine (par exemple, pour le démontage, la réparation, etc.).

## PREMIERS PAS

Avant d'utiliser votre machine à café pour la première fois, faites attention aux précautions de sécurité de ce manuel, en particulier les suivantes:

- Soyez prudent avec l'eau chaude. Vous pourriez vous brûler.
- Rincez bien le réservoir d'eau à l'eau claire avant la première utilisation.
- N'utilisez pas la machine avec le réservoir d'eau vide ou si le niveau d'eau est inférieur au minimum.
- N'utilisez la machine que dans une pièce sèche.
- N'ouvrez pas le levier lorsque la machine chauffe ou fonctionne.
- Débranchez toujours le cordon d'alimentation avant de nettoyer la machine.
- Nettoyez la machine à café uniquement avec un chiffon humide.

**La première étape consiste à remplir le réservoir d'eau, il y a deux façons de le faire:**

**Remplissez sans retirer le réservoir.**

1. Soulevez le couvercle du réservoir d'eau
2. Remplissez le réservoir d'eau propre (la température maximale de l'eau est de 35 °C)
3. Abaissez le bouchon du réservoir

**Remplissez en retirant le réservoir d'eau.**

1. Soulevez légèrement le réservoir d'eau dans le sens indiqué sur l'image pour retirer le réservoir d'eau de la machine. Remplissez le réservoir d'eau claire jusqu'au repère «MAX» (la capacité maximale est de 0,6 litre).
2. Faites glisser lentement le réservoir d'eau sur la base du réservoir, en inversant la procédure à partir du point précédent. Lorsque la sortie du réservoir d'eau est insérée dans la base d'entrée, appuyez pour verrouiller le réservoir d'eau.



**Attention:**

Une goutte d'eau peut rester dans la machine. Pour s'assurer que cette machine fonctionne parfaitement, elle a été testée avec de l'eau avant de quitter l'usine.

**Mise en garde:**

Une mauvaise manipulation des équipements électriques est dangereuse et peut être mortelle.

## MODE VEILLE

- Dans les paramètres d'usine par défaut, la machine est en mode «Veille». Dans ce mode, la machine et tous les voyants lumineux s'éteignent après 15 minutes d'inactivité.
- Si la machine passe en mode veille, appuyez sur le bouton de démarrage pour la réactiver.



## RÉGLAGE DU MODE VEILLE

- Appuyez sur les boutons Petite tasse et Grande tasse et maintenez-les enfoncés.
- Connectez la machine à la prise électrique. Le voyant du bouton de démarrage s'allume.
- Appuyez sur le bouton de la petite tasse allumera la LED sur le bouton de la petite tasse, activant le mode «Veille».
- Appuyez à nouveau sur le bouton de la petite tasse éteindra la LED du bouton de la petite tasse, désactivant le mode «Veille».



## PARAMÈTRE D'USINE

- Appuyez sur le bouton Grande tasse et maintenez-le enfoncé.
- Connectez la machine à la prise électrique.
- Le voyant LED du bouton s'allume et clignote deux fois, indiquant que la machine est revenue aux paramètres d'usine par défaut.



## PRÉPARATION DU CAFÉ

1. Connectez la machine au secteur et appuyez sur le bouton d'alimentation.
2. Pendant que la machine chauffe, soulevez le levier supérieur et tirez pour retirer l'adaptateur.
3. Suivez les instructions ci-dessous pour utiliser chaque type d'adaptateur:



**Nespresso® capsules**

**Capsules Nespresso®:** Soulevez le capuchon de l'adaptateur de capsule. Insérez une capsule dans l'adaptateur et abaissez le capuchon de l'adaptateur.



#### Dolce Gusto™ capsules

**Capsules Dolce Gusto™:** Insérez une capsule à l'intérieur de l'adaptateur.



#### Café moulu

**Café moulu:** Soulevez le couvercle de l'adaptateur et ajoutez le café moulu. Appuyez pour compacter le café et abaissez le couvercle de l'adaptateur.

4. Poussez l'adaptateur avec la capsule à l'intérieur et fermez le levier, comme indiqué sur l'image.



5. Placez une tasse sous le distributeur. Appuyez une seule fois sur la touche café souhaitée. Le bouton clignotera et la machine commencera la préparation.



6. Une fois le processus d'infusion terminé, la machine s'arrête automatiquement lorsque le temps d'infusion préréglé est atteint. Vous pouvez modifier la quantité de café en ajustant le temps d'infusion par défaut en fonction de votre goût. Voir la section «Personnalisation du volume de café».



#### Temps de préparation par défaut:

- **Capsules**

16 s pour le café court et 25 s pour le café long.

- **Café moulu**

25 s pour le café court et 47 s pour le café long.

7. Soulevez le levier et retirez l'adaptateur pour insérer la nouvelle capsule à utiliser ou pour changer l'adaptateur.

#### Attention:

Lorsque vous appuyez sur le bouton du café souhaité, sa LED peut d'abord clignoter pendant quelques secondes, puis commencer à préparer le café, c'est quelque chose de tout à fait normal.

## PERSONNALISEZ LE VOLUME DU CAFÉ

- Vous pouvez modifier la quantité de café en ajustant le temps d'infusion par défaut en fonction de vos goûts.

### • Ajuster le volume pour une petite tasse

Placez la tasse sous l'écoulement du café.

Appuyez sur le bouton de la petite tasse et maintenez-le enfoncé jusqu'à ce que vous obteniez le café souhaité (min.10 s, max. 90 s).

### • Ajuster le volume pour une grande tasse

Placez la tasse sous l'écoulement du café.

Appuyez sur le bouton de la grande tasse et maintenez-le enfoncé jusqu'à ce que vous obteniez le café souhaité (min.10 s, max. 90 s).



## NETTOYAGE

- Assurez-vous de débrancher la machine avant de la nettoyer.
- Ne plongez jamais la machine ou une partie de celle-ci dans l'eau, vous pourriez être gravement blessé ou même tué par un choc électrique!
- N'utilisez pas d'agent de nettoyage puissant ni de solvant de nettoyage.
- N'utilisez pas d'objets ou de brosses pointus, abrasifs ou tranchants.
- Ne nettoyez pas les pièces au lave-vaisselle.

### Nettoyage de la capsule et des adaptateurs café

- Videz le réservoir de l'adaptateur et lavez-le à l'eau. Séchez bien la pièce entière avec une serviette ou un chiffon sec.

### Nettoyage de la machine

- Essuyez avec un chiffon ou du papier propre et humide, remontez toutes les pièces. Nettoyez régulièrement l'écoulement du café et la zone d'infusion avec un chiffon humide.



## VIDAGE ET NETTOYAGE DES TUYAUX INTERNES

- Avant de réutiliser la machine après de longues pauses (par exemple pendant les vacances), la machine doit être bien rincée. Cette courte procédure est utilisée pour purger et nettoyer soigneusement le tube interne.

### Processus

1. Remplissez le réservoir d'eau (voir "Premiers pas").



2. Connectez l'appareil à la prise murale.



3. Appuyez sur le bouton d'allumage.



4. Les voyants des boutons se stabilisent lorsque la machine s'est réchauffée. Le temps de préchauffage est d'environ 45 secondes.

Avant d'appuyer sur la touche café long, assurez-vous que:

- Le levier du compartiment est fermé et sans capsule à l'intérieur.
- Le réservoir d'eau est plein.
- Le réservoir d'eau est fermement en place, sinon l'eau peut fuir.



5. Placez une grande tasse (250 ml ou plus) sous le distributeur.



6. Appuyez sur le bouton café long et attendez que l'appareil termine le rinçage.



7. Ne soulevez pas le levier avant que le processus de rinçage ne s'arrête automatiquement.

## VIDANGEZ LA CAFETIÈRE

- S'il n'y a pas de débit d'eau dans la machine à café, la pompe à eau interne devra être vidangée.
- Cette procédure peut être nécessaire si la cafetière n'est pas utilisée pendant une longue période ou si elle a été activée sans eau dans le réservoir.

• Il est conseillé de vider la cafetière lorsque vous l'utilisez pour la première fois.

• Pour vidanger la pompe et utiliser la cafetière normalement, procédez comme suit:

1. Débranchez l'appareil et retirez le réservoir d'eau. Retirez les capsules et les porte-capsules de l'infuseur et abaissez le levier. Connectez le raccord en plastique à l'entrée d'eau et retirez le piston.

2. Ajoutez un peu d'eau.

3. Branchez le piston sur le raccord de la pompe et poussez-le à fond.

• L'eau contenue dans la pompe passera au système interne, provoquant l'élimination de l'air contenu dans les tuyaux.

• Pendant ce processus, un peu d'eau peut sortir de la goupille située sur la partie supérieure arrière de l'appareil, utilisez un chiffon afin que l'eau ne tombe pas sur la table.

• Si nécessaire, répétez cette procédure 2 ou 3 fois.



## DÉTARTRAGE / ENTRETIEN DE LA MACHINE À CAFÉ

L'eau potable varie selon les régions. Les particules de chaux provenant de l'eau potable sont déposées en tant que déchets dans la machine et peuvent bloquer le tuyau et causer des dommages. Pour éviter cela, assurez-vous de détartrer la machine au moins après avoir préparé 300 à 400 tasses de café ou, dans tous les cas, si la production diminue considérablement ou après un ou deux mois. La décalcification doit être effectuée correctement pour éviter tout dommage.

Suivez attentivement les instructions ci-dessous.

1. Remplissez le réservoir avec un mélange d'eau et d'un liquide détartrant disponible dans le commerce pour cafetières (toujours suivre les instructions du fabricant).
2. Assurez-vous qu'il n'y a pas de capsules à l'intérieur de la machine.
3. Placez un grand récipient sous la tête de distribution pour recueillir le mélange et les résidus de calcaire.
4. Appuyez sur le bouton Grande tasse pour effectuer la décalcification. Répétez le processus plusieurs fois jusqu'à ce que toute l'eau du réservoir soit épuisée.
5. Répétez le processus pour rincer le circuit interne avec un réservoir d'eau propre (sans liquide détartrant) pour nettoyer complètement le circuit interne et assurer le bon goût de vos boissons.

### Important:

- Soyez extrêmement prudent avec l'eau chaude!
- Ne nettoyez jamais la machine avec du vinaigre. Cela endommagerait la machine et donnerait un mauvais goût aux boissons.
- Les dommages causés par une décalcification incorrecte ou un manque de décalcification ne sont pas couverts par la garantie.

## AVERTISSEMENTS DE SÉCURITÉ



Ne mouillez pas la machine et ne la mettez pas dans l'eau.



Ne soulevez pas le levier lorsque vous utilisez l'infuseur.



Ne touchez pas le haut de l'adaptateur lorsque vous le retirez du compartiment, car il est très chaud et pourrait provoquer des brûlures.



Il y a une aiguille pointue sur le dessus de l'adaptateur de capsule. Ne placez pas votre main en dessous ou à proximité car elle pourrait être percée.





N'allumez pas et n'utilisez pas l'appareil s'il n'y a pas d'eau dans le réservoir.

## DÉPANNAGE

PROBLÈME	CAUSE	SOLUTION
Aucun café ne sort.	Le réservoir d'eau est vide.	Remplissez le réservoir d'eau.
Le café n'est pas assez chaud.	La machine est froide.	Attendez le temps indiqué pour le chauffage.
	Accumulation de chaux.	Effectuez le détartrage.
Il y a de l'eau renversée.	Le réservoir d'eau fuit.	Vérifiez si la valve du réservoir est bloquée.
	Le bac collecteur inférieur est rempli d'eau.	Videz le bac collecteur.
Le levier ne peut pas être fermé.	L'adaptateur capsule / café n'est pas correctement installé.	Vérifiez et positionnez correctement l'adaptateur.
	Ne remplissez pas excessivement l'adaptateur de café moulu, si vous forcez trop le levier à travers un excès de café, il pourrait se casser.	Remplissez et pressez légèrement le café sans déborder ni être trop compact.

Conformément aux directives 2012/19 / UE et 2015/863 / UE sur la limitation de l'utilisation de substances dangereuses dans les équipements électriques et électroniques, ainsi que leur élimination des déchets. Le symbole avec la poubelle croisée indiqué sur l'emballage indique que le produit à la fin de sa durée de vie sera collecté en tant que déchet séparé. Par conséquent, votre produit ayant atteint la fin de sa durée de vie doit être livré dans des centres d'élimination des déchets appropriés pour la collecte sélective des déchets d'équipements électriques et électroniques, ou retourné au détaillant lors de l'achat de nouveaux équipements similaires, ou au seul pour une base. Une collecte séparée appropriée pour la mise en service ultérieure des équipements expédiés pour être recyclés, traités et éliminés d'une manière respectueuse de l'environnement aide à prévenir les effets négatifs potentiels sur l'environnement et la santé et optimiser le recyclage et la réutilisation des les composants qui composent l'appareil. L'élimination abusive du produit par l'utilisateur implique l'application de sanctions administratives conformément aux lois.



# ITALIANO

Grazie mille per aver scelto la nostra caffettiera. Prima di utilizzare questo prodotto leggere attentamente le istruzioni per il suo corretto utilizzo.

Le precauzioni di sicurezza incluse riducono il rischio di scosse elettriche, lesioni e persino morte se rispettate rigorosamente. Conservare questo manuale in un luogo sicuro per riferimento futuro, insieme alla scheda di garanzia del prodotto debitamente compilata, alla confezione originale del prodotto e alla prova di acquisto. Se possibile, trasmettere queste istruzioni al prossimo proprietario dell'apparecchio. Seguire sempre le precauzioni di sicurezza di base e le norme antinfortunistiche quando si utilizza un apparecchio. Decliniamo ogni responsabilità derivante dalla violazione di queste istruzioni da parte dei clienti.

## ISTRUZIONI DI SICUREZZA

Quando si utilizza qualsiasi apparecchio elettrico, è necessario osservare sempre le precauzioni di sicurezza di base.

- Collegare la macchina da caffè solo a una presa elettrica adeguatamente messa a terra.
- Per assicurarsi che la macchina sia spenta, rimuovere la spina dalla presa elettrica.
- Scollegare sempre il cavo di alimentazione prima di spostare la macchina, andare a pulirla o eseguire lavori di manutenzione e per lunghi periodi di inutilizzo.
- Non tenere o far passare il cavo di alimentazione su angoli o bordi taglienti.
- Non scollegare mai il cavo di alimentazione tirandolo; tenere sempre la spina.
- Se hai bisogno di una prolunga, assicurati che sia adatta alla tua macchina e posiziona il cavo in modo sicuro.
- Non utilizzare mai la macchina senza acqua.
- Assicurarsi sempre che la quantità di acqua nel serbatoio non sia inferiore al livello minimo.
- Non utilizzare la macchina in caso di malfunzionamento, cavo di alimentazione danneggiato o dopo caduta o altri danni.
- In questi casi, contattare il servizio clienti.
- Tenere i bambini lontani dalla macchina durante il funzionamento.
- Utilizzare la macchina solo in ambienti asciutti.
- Non lasciare che il cavo di alimentazione penda troppo in basso, rischi di inciampare.
- Questa macchina è progettata esclusivamente per uso domestico.
- Per evitare danni, non utilizzare mai parti di ricambio o accessori non consigliati dal produttore.
- Tenere questo apparecchio fuori dalla portata dei bambini o di persone non qualificate per un utilizzo senza supervisione.
- Se il cavo di alimentazione è danneggiato, deve essere sostituito dal produttore, dal venditore o da un servizio tecnico qualificato.
- Scegliere una superficie di supporto asciutta, stabile e piana che non sia immediatamente sotto l'uscita.
- Deve essere distante almeno 60 cm dal lavello e dai rubinetti.
- Non posizionarlo mai su superfici o apparecchiature infiammabili, fusibili o apparecchiature termoelettriche (microonde, lavastoviglie, ecc.)
- Non posizionare mai la macchina o il cavo di alimentazione entro 60 cm da superfici calde o fiamme libere.

- Non coprire mai la macchina durante il funzionamento.
- Questo dispositivo è destinato all'uso in ambienti domestici e simili, come ad esempio: Aree cucina del personale in negozi, uffici e altri ambienti di lavoro; Case rurali; hotel, motel e altri ambienti residenziali.

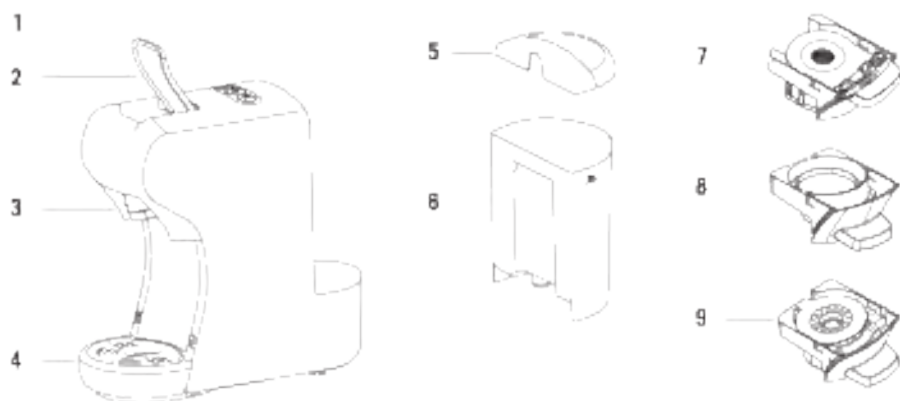
#### Pericolo da scossa elettrica

- Non immergere mai la macchina in acqua o altri liquidi.
- I cavi di alimentazione danneggiati possono essere sostituiti solo dal servizio tecnico, contattare il servizio clienti.
- Non toccare mai la spina, la presa, il cavo o la macchina con le mani umide o bagnate.

#### Pericolo di ustioni

- Non spostare mai la macchina durante il funzionamento.
- Non toccare mai parti molto calde della macchina (ad esempio, il gruppo infusore durante le operazioni).
- Non avvicinarsi a vapore o getti di liquidi.
- Non spostare la leva quando la macchina è ancora sotto pressione per fare il caffè.
- Scollegare il cavo di alimentazione e lasciare raffreddare completamente la macchina prima della pulizia o della manutenzione.

### ELENCO DELLE PARTI



- |   |  |
|---|--|
| <ol style="list-style-type: none"> <li>1. Pulsanti di controllo. Acceso, caffè corto e caffè lungo.</li> <li>2. Leva di apertura per cambio adattatori.</li> <li>3. Scomparto per adattatori.</li> <li>4. Portabicchieri regolabile.</li> </ol> | <ol style="list-style-type: none"> <li>5. Coperchio del serbatoio dell'acqua.</li> <li>6. Serbatoio d'acqua.</li> <li>7. Adattatore per capsula Nespresso®.</li> <li>8. Adattatore per capsula Dolce Gusto™.</li> <li>9. Adattatore per caffè macinato.</li> </ol> |
|---|--|

### DI QUESTO MANUALE

Questo manuale di istruzioni non può coprire tutte le circostanze possibili. In caso di dubbi o problemi non adeguatamente descritti in questo manuale operativo, è possibile ottenere maggiori informazioni contattando il Servizio Clienti. Conservare questo manuale di istruzioni per riferimenti futuri.

## DISIMBALLATO

1. Estrarre la macchina da caffè dalla confezione.
  2. Dopo il disimballaggio, verificare che le seguenti parti siano incluse:
    - Serbatoio d'acqua
    - Macchina per il caffè
    - Manuale
    - Adattatori per capsule e caffè macinato.
- **Nota:**
- Verifica che il voltaggio della corrente elettrica nella tua abitazione sia lo stesso di quello indicato sulla targhetta delle caratteristiche della macchina.
  - Ricicla tutti i sacchetti di plastica per evitare pericoli per i bambini.
  - Conservare l'imballaggio per il trasporto della macchina (ad esempio per lo smontaggio, la riparazione, ecc.).

## PRIMI PASSI

Prima di utilizzare la macchina da caffè per la prima volta, prestare attenzione alle precauzioni di sicurezza riportate in questo manuale, in particolare a quanto segue:

- Fai attenzione con l'acqua calda. Potresti bruciarti.
- Sciacquare bene il serbatoio dell'acqua con acqua pulita prima del primo utilizzo.
- Non utilizzare la macchina con il serbatoio dell'acqua vuoto o se il livello dell'acqua è inferiore al minimo.
- Utilizzare la macchina solo in una stanza asciutta.
- Non aprire la leva quando la macchina è in fase di riscaldamento o in funzione.
- Scollegare sempre il cavo di alimentazione prima di pulire la macchina.
- Pulire la macchina da caffè solo con un panno umido.

Il primo passo è riempire il serbatoio dell'acqua, ci sono due modi per farlo:

**Riempire senza rimuovere il serbatoio.**

1. Sollevare il coperchio del serbatoio dell'acqua
2. Riempire il serbatoio con acqua pulita (la temperatura massima dell'acqua è di 35 °C)
3. Abbassare il tappo del serbatoio

**Riempire rimuovendo il serbatoio dell'acqua.**

1. Sollevare leggermente il serbatoio dell'acqua nella direzione mostrata nell'immagine per rimuovere il serbatoio dell'acqua dalla macchina. Riempire il serbatoio fino alla tacca «MAX» con acqua pulita (la capacità massima è di 0,6 litri).
2. Far scorrere lentamente il serbatoio dell'acqua sulla base del serbatoio, facendo il contrario dal punto precedente. Quando l'uscita del serbatoio dell'acqua è inserita nella base dell'ingresso, spingere verso il basso per bloccare il serbatoio dell'acqua.



**Attenzione:**

Nella macchina potrebbe rimanere una goccia d'acqua. Per garantire che questa macchina funzioni perfettamente, è stata testata con acqua prima di lasciare la fabbrica.

**Attenzione:**

La manipolazione impropria delle apparecchiature elettriche è pericolosa e può essere letale.

## MODALITÀ STANDBY

- Nelle impostazioni predefinite di fabbrica, la macchina è in modalità "Standby". In questa modalità la macchina e tutte le spie luminose si spengono dopo 15 minuti di inattività.
- Se la macchina entra in modalità standby, premere il pulsante di avvio per riattivarla.



## IMPOSTAZIONE DELLA MODALITÀ STANDBY

- Tieni premuti i pulsanti Tazza piccola e Tazza grande.
- Collegare la macchina alla presa elettrica. Il LED del pulsante di avvio si accenderà.
- Premendo il pulsante tazza piccola si accende il LED sul pulsante tazza piccola, attivando la modalità "Standby".
- Premendo nuovamente il pulsante tazza piccola si spegnerà il LED del pulsante tazza piccola, disabilitando la modalità "Standby".



## IMPOSTAZIONI DI FABBRICA

- Tieni premuto il pulsante Tazza grande.
- Collegare la macchina alla presa elettrica.
- La spia LED del pulsante si accenderà e lampeggerà due volte, indicando che la macchina è tornata alle impostazioni predefinite di fabbrica.



## PREPARAZIONE DEL CAFFÈ

1. Collegare la macchina alla rete elettrica e premere il pulsante di accensione.
2. Mentre la macchina si sta riscaldando, sollevare la leva superiore ed estrarla per rimuovere l'adattatore.
3. Segui le istruzioni seguenti per utilizzare ogni tipo di adattatore:



**Nespresso® capsule**

**Capsule Nespresso®:** Sollevare il cappuccio dall'adattatore per capsule. Inserire una capsula all'interno dell'adattatore e abbassare il cappuccio dell'adattatore.



**Dolce Gusto™ capsule**



**Caffè macinato**

**Capsule Dolce Gusto™:** Inserire una capsula all'interno dell'adattatore.

**Caffè macinato:** Sollevare il coperchio dell'adattatore e aggiungere il caffè macinato. Premere verso il basso per compattare il caffè e abbassare il coperchio dell'adattatore.

4. Spingere l'adattatore con la capsula all'interno e chiudere la leva verso il basso, come mostrato nell'immagine.



5. Posizionare una tazza sotto l'erogatore. Premere una sola volta il pulsante caffè desiderato. Il pulsante lampeggerà e la macchina inizierà la preparazione.



6. Una volta completato il processo di erogazione, la macchina si fermerà automaticamente quando viene raggiunto il tempo di erogazione preimpostato. È possibile modificare la quantità di caffè regolando il tempo di erogazione predefinito in base ai propri gusti. Vedere la sezione "Personalizzazione del volume del caffè".



**Tempo di preparazione predefinito:**

• **Capsule**

16 s per caffè corto e 25 s per caffè lungo.

• **Caffè macinato**

26 s per caffè corto e 47 s per caffè lungo.

7. Sollevare la leva ed estrarre l'adattatore per inserire la nuova capsula da utilizzare o per cambiare l'adattatore.

**Attenzione:**

Quando si preme il pulsante per il caffè desiderato, il suo LED può prima lampeggiare per alcuni secondi, quindi iniziare a preparare il caffè, è una cosa del tutto normale.

## PERSONALIZZA IL VOLUME DEL CAFFÈ

- È possibile modificare la quantità di caffè regolando il tempo di erogazione predefinito in base ai propri gusti.

### • Regola il volume per una tazza piccola

Posizionare la tazza sotto l'erogatore del caffè.

Tenere premuto il pulsante della tazzina fino ad ottenere il caffè desiderato (min. 10s, max. 80 s).



### • Regola il volume per una tazza grande

Posizionare la tazza sotto l'erogatore del caffè.

Tenere premuto il pulsante sulla tazza grande fino a ottenere il caffè desiderato (min. 10 s, max. 90 s).



## PULIZIA

- Assicurarsi di scollegare la macchina prima di pulirla.
- Non immergere mai la macchina o parte di essa in acqua, si potrebbero subire lesioni gravi o addirittura morte a causa di scosse elettriche!
- Non utilizzare detergenti aggressivi o solventi.
- Non utilizzare oggetti o spazzole taglienti, abrasivi o taglienti.
- Non pulire le parti in lavastoviglie.

### **Pulizia delle capsule e degli adattatori del caffè**

- Svuotare il serbatoio dell'adattatore e lavarlo con acqua. Asciugare bene l'intero pezzo con un tovagliolo o un panno asciutto.



### **Pulizia della macchina**

- Strofinare con un panno umido pulito o della carta, riassembleare tutte le parti. Pulire regolarmente l'erogatore del caffè e la zona di infusione con un panno umido.

## SVUOTAMENTO E PULIZIA DELLE TUBAZIONI INTERNE

- Prima di riutilizzare la macchina dopo lunghe pause (es. Vacanze), la macchina deve essere risclacquata bene. Questa breve procedura viene utilizzata per spurgare e pulire a fondo il tubo interno.

### **Processi**

1. Riempire il serbatoio dell'acqua (vedere "Primi passi").



2. Collegare l'apparecchio alla presa a muro.



3. Premi il pulsante di accensione.



4. I LED dei pulsanti si stabilizzano quando la macchina si è riscaldata. Il tempo di riscaldamento è di circa 45 secondi.

Prima di premere il pulsante caffè lungo assicurarsi che:

- La leva del vano è chiusa e senza alcuna capsula all'interno.
- Il serbatoio dell'acqua è pieno.
- Il serbatoio dell'acqua è saldamente in posizione, altrimenti l'acqua potrebbe fuoriuscire.



5. Posizionare una tazza grande (da 250 ml o più grande) sotto l'erogatore.



6. Premere il pulsante caffè lungo e attendere che la macchina completi il risciacquo.



7. Non sollevare la leva fino a quando il processo di risciacquo non si arresta automaticamente.

## SCOLARE LA CAFFETTIERA

- Se non c'è flusso d'acqua nella macchina da caffè, sarà necessario scaricare la pompa dell'acqua interna.
  - Questa procedura può essere necessaria se la caffettiera non viene utilizzata per un lungo periodo o se è stata attivata senza acqua nel serbatoio.
  - Si consiglia di svuotare la caffettiera al primo utilizzo.
  - Per svuotare la pompa e utilizzare normalmente la caffettiera, attenersi alla seguente procedura:
1. Scollegare l'apparecchio e rimuovere il serbatoio dell'acqua. Rimuovere le capsule e i porta capsule dal bollitore e abbassare la leva. Collegare il raccordo in plastica all'ingresso dell'acqua e rimuovere lo stantuffo.
  2. Aggiungj un po' d'acqua.
  3. Collegare lo stantuffo al raccordo della pompa e spingerlo fino in fondo.
- L'acqua contenuta nella pompa passerà all'impianto interno provocando l'eliminazione dell'aria contenuta nei condotti.
  - Durante questo processo, un po' d'acqua potrebbe fuoriuscire dal perno situato nella parte superiore posteriore dell'apparecchio, utilizzare un panno in modo che l'acqua non cada sul tavolo.
  - Se necessario, ripetere questa procedura 2 o 3 volte.





## — DECALCIFICAZIONE / MANUTENZIONE DELLA MACCHINA DA CAFFÈ —

L'acqua potabile varia in base alla regione. Le particelle di calcare dell'acqua potabile si depositano come rifiuti nella macchina e possono bloccare il tubo e causare danni. Per evitarlo, assicurarsi di decalcificare la macchina almeno dopo aver fatto 300-400 tazze di caffè o, comunque, se la produzione cala notevolmente o dopo uno o due mesi. La decalcificazione deve essere eseguita correttamente per evitare danni.

Seguire attentamente le istruzioni di seguito.

1. Riempire il serbatoio con una miscela di acqua e un liquido decalcificante per macchine da caffè disponibile in commercio (seguire sempre le istruzioni del produttore).
2. Assicurarsi che non ci siano capsule all'interno della macchina.
3. Posizionare un grande contenitore sotto la testa di erogazione per raccogliere la miscela e i residui di calcare.
4. Premere il pulsante Tazza grande per eseguire la decalcificazione. Ripetere il processo più volte fino a quando tutta l'acqua nel serbatoio è esaurita.
5. Ripetere il processo per risciacquare il circuito interno con un serbatoio di acqua pulita (senza liquido decalcificante) per pulire completamente il circuito interno e garantire il buon gusto delle vostre bevande.

### Importante:

- Usare estrema cautela con l'acqua calda!
- Non pulire mai la macchina con aceto. Ciò danneggerà la macchina e renderà le bevande sgradevoli.
- I danni causati da una decalcificazione errata o dalla mancanza di decalcificazione non sono coperti dalla garanzia.

## AVVISI DI SICUREZZA



Non bagnare la macchina e non metterla in acqua.



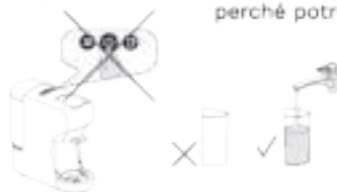
Non sollevare la leva durante l'utilizzo del birrillo.



Non toccare la parte superiore dell'adattatore durante la rimozione dal vano, poiché è molto caldo e potrebbe causare ustioni.



C'è un ago appuntito sulla parte superiore dell'adattatore per capsule. Non mettere la mano sotto o vicino ad essa perché potrebbe perforarsi.



Non accendere o utilizzare l'apparecchio se non c'è acqua nel serbatoio.

## RISOLUZIONE DEI PROBLEMI

PROBLEMA	CAUSA	SOLUZIONE
Non esce il caffè.	Il serbatoio dell'acqua è vuoto.	Riempì il serbatoio dell'acqua.
Il caffè non è abbastanza caldo.	La macchina è fredda.	Attendere il tempo indicato per il riscaldamento.
	Accumulo di calce.	Eseguire la decalcificazione.
È presente acqua versata.	Il serbatoio dell'acqua perde.	Verificare se la valvola del serbatoio è bloccata.
	La vaschetta raccogli gocce inferiore è piena d'acqua.	Svuotare la vaschetta raccogli gocce.
La leva non può essere chiusa.	L'adattatore per capsule / caffè non è posizionato correttamente.	Controllare e posizionare correttamente l'adattatore.
	Non riempire eccessivamente l'adattatore per caffè macinato, se si forza troppo la leva attraverso il caffè in eccesso, potrebbe rompersi.	Riempite e pressate leggermente il caffè senza che trabocchi o sia troppo compatto.



In conformità con le direttive 2012/19 / UE e 2015/863 / UE sulla restrizione dell'uso di sostanze pericolose nelle apparecchiature elettriche ed elettroniche, nonché sul loro smaltimento dei rifiuti. Il simbolo con la pattiniera incrociata mostrato sulla confezione indica che il prodotto al termine della sua vita utile verrà raccolto come rifiuto separato. Pertanto, qualsiasi prodotto che ha raggiunto la fine della sua vita utile deve essere consegnato a centri specializzati di smaltimento dei rifiuti per la raccolta selettiva di rifiuti di apparecchiature elettriche ed elettroniche o restituito al rivenditore al momento dell'acquisto di nuove apparecchiature simili, in un'unica per una base. Una corretta raccolta separata per le successive messa in servizio di apparecchiature specifiche per essere riciclate, trattate e smaltite in modo ecologico aiuta a prevenire potenziali effetti negativi sull'ambiente e sulla salute e ottimizza il riciclaggio e il riutilizzo di i componenti che compongono il dispositivo. L'eliminazione abusiva del prodotto da parte dell'utente implica l'applicazione di sanzioni amministrative in conformità con le leggi.

Vielen Dank, dass Sie sich für unsere Kaffeemaschine entschieden haben. Lesen Sie die Anweisungen zur korrekten Verwendung sorgfältig durch, bevor Sie dieses Produkt verwenden.

Die enthaltenen Sicherheitsvorkehrungen verringern das Risiko von Stromschlägen, Verletzungen und sogar zum Tod, wenn sie strikt eingehalten werden. Bitte bewahren Sie dieses Handbuch zusammen mit der ordnungsgemäß ausgefüllten Produktgarantiekarte, der Originalverpackung und dem Kaufnachweis an einem sicheren Ort auf. Geben Sie diese Anweisungen nach Möglichkeit an den nächsten Besitzer des Geräts weiter. Beachten Sie bei der Verwendung eines Geräts immer die grundlegenden Sicherheitsvorkehrungen und Unfallverhütungsvorschriften. Wir lehnen jede Verantwortung ab, die sich aus der Verletzung dieser Anweisungen durch die Kunden ergibt.

---

## SICHERHEITSHINWEISE

---

Bei der Verwendung von Elektrogeräten sollten immer die grundlegenden Sicherheitsvorkehrungen beachtet werden.

- Schließen Sie die Kaffeemaschine nur an eine ordnungsgemäß geerdete Steckdose an.
- Ziehen Sie den Stecker aus der Steckdose, um sicherzustellen, dass die Maschine ausgeschaltet ist.
- Ziehen Sie immer den Netzstecker, bevor Sie die Maschine bewegen, reinigen oder Wartungsarbeiten durchführen und für längere Zeit ohne Verwendung.
- Halten oder führen Sie das Netzkabel niemals über scharfe Ecken oder Kanten.
- Ziehen Sie niemals das Netzkabel heraus, indem Sie daran ziehen. Halten Sie immer den Stecker.
- Wenn Sie ein Verlängerungskabel benötigen, stellen Sie sicher, dass es für Ihr Gerät geeignet ist, und verlegen Sie das Kabel sicher.
- Verwenden Sie die Maschine niemals ohne Wasser.
- Stellen Sie immer sicher, dass die Wassermenge im Tank nicht unter dem Mindeststand liegt.
- Verwenden Sie das Gerät nicht im Falle einer Fehlfunktion, eines beschädigten Netzkabels oder nach einem Herunterfallen oder anderen Schäden.
- In solchen Fällen wenden Sie sich bitte an den Kundendienst.
- Halten Sie Kinder während des Betriebs von der Maschine fern.
- Verwenden Sie die Maschine nur in trockenen Umgebungen.
- Lassen Sie das Netzkabel nicht zu tief hängen, da sonst Stolpergefahr besteht.
- Diese Maschine ist nur für den Hausgebrauch bestimmt.
- Verwenden Sie niemals Ersatzteile oder Zubehör, die nicht vom Hersteller empfohlen werden, um Schäden zu vermeiden.
- Bewahren Sie dieses Gerät außerhalb der Reichweite von Kindern oder Personen auf, die nicht über die erforderlichen Fähigkeiten verfügen, um es ohne Aufsicht zu verwenden.
- Wenn das Netzkabel beschädigt ist, muss es vom Hersteller, vom Verkäufer oder von einem qualifizierten technischen Kundendienst ausgetauscht werden.
- Wählen Sie eine trockene, stabile und ebene Auflagefläche, die sich nicht unmittelbar unter dem Auslass befindet.
- Es muss mindestens 60 cm vom Waschbecken und den Wasserhähnen entfernt sein.
- Stellen Sie es niemals auf brennbare Oberflächen oder Geräte, Sicherungen oder

thermoelektrische Geräte (Mikrowelle, Geschirrspüler usw.).

- Stellen Sie die Maschine oder das Netzkabel niemals in einem Abstand von 50 cm zu heißen Oberflächen oder offenen Flammen auf.
- Decken Sie die Maschine niemals während des Betriebs ab.
- Dieses Gerät ist für den Einsatz im häuslichen Umfeld und dergleichen vorgesehen, z. B.: Küchenbereiche des Personals in Geschäften, Büros und anderen Arbeitsumgebungen; Ländliche Häuser; Hotels, Motels und andere Wohnumgebungen.

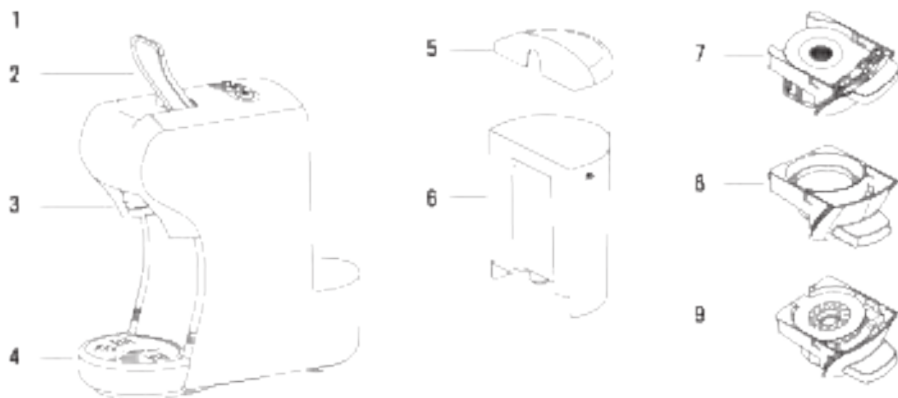
#### Gefahr durch Stromschlag

- Tauchen Sie die Maschine niemals in Wasser oder andere Flüssigkeiten.
- Beschädigte Stromkabel können nur vom technischen Service ausgetauscht werden. Wenden Sie sich an den Kundendienst.
- Berühren Sie niemals den Stecker, die Buchse, das Kabel oder die Maschine mit feuchten oder nassen Händen.

#### Verbrennungsgefahr

- Bewegen Sie die Maschine niemals während des Betriebs.
- Berühren Sie niemals sehr heiße Teile der Maschine (z. B. die Brüheinheit während des Betriebs).
- Nicht in die Nähe von Dampf oder Flüssigkeitsstrahlen gelangen.
- Bewegen Sie den Hebel nicht, wenn die Maschine noch unter Druck steht und Kaffee kocht.
- Ziehen Sie das Netzkabel ab und lassen Sie die Maschine vor der Reinigung oder Wartung vollständig abkühlen.

### LISTE DER TEILE



1. Steuertasten. Auf, kurzer Kaffee und langer Kaffee.
2. Öffnungshebel zum Adapterwechsel.
3. Fach für Adapter.
4. Verstellbarer Getränkehalter.

5. Wassertankdeckel.
6. Wassertank.
7. Adapter für Nespresso® Kapseln.
8. Dolce Gusto™ Kapseladapter.
9. Adapter für gemahlene Kaffee.

### ÜBER DIESE ANLEITUNG

Diese Bedienungsanleitung kann nicht alle möglichen Umstände abdecken. Bei Zweifeln oder Problemen, die in dieser Bedienungsanleitung nicht ausreichend beschrieben sind, können Sie weitere Informationen erhalten, indem Sie sich an den Kundendienst wenden. Bewahren Sie diese Bedienungsanleitung zum späteren Nachschlagen auf.

## UNVERPACKT

1. Nehmen Sie die Kaffeemaschine aus der Verpackung.
  2. Stellen Sie nach dem Auspacken sicher, dass die folgenden Teile enthalten sind:
    - Wassertank
    - Kaffeemaschine
    - Handbuch
    - Kapsel- und gemahlene Kaffeeadapter.
- **Hinweis:**
- Stellen Sie sicher, dass die Spannung des elektrischen Stroms in Ihrem Haus mit der auf dem Typenschild der Maschine angegebenen übereinstimmt.
  - Recyceln Sie alle Plastiktüten, um Gefahren für Kinder zu vermeiden.
  - Bewahren Sie die Verpackung für den Transport der Maschine auf (z. B. zur Demontage, Reparatur usw.).

## ERSTE SCHRITTE

Beachten Sie vor dem ersten Gebrauch Ihrer Kaffeemaschine die Sicherheitsvorkehrungen in diesem Handbuch, insbesondere die folgenden:

- Seien Sie vorsichtig mit heißem Wasser. Sie könnten sich verbrennen.
- Spülen Sie den Wassertank vor dem ersten Gebrauch gut mit sauberem Wasser aus.
- Verwenden Sie die Maschine nicht mit leerem Wassertank oder wenn der Wasserstand unter dem Minimum liegt.
- Verwenden Sie die Maschine nur in einem trockenen Raum.
- Öffnen Sie den Hebel nicht, wenn die Maschine aufheizt oder läuft.
- Ziehen Sie immer das Netzkabel ab, bevor Sie das Gerät reinigen.
- Reinigen Sie die Kaffeemaschine nur mit einem feuchten Tuch.

**Der erste Schritt besteht darin, den Wassertank zu füllen. Es gibt zwei Möglichkeiten, dies zu tun:**

**Füllen, ohne den Tank zu entfernen.**

1. Heben Sie den Deckel des Wassertanks an
2. Füllen Sie den Tank mit sauberem Wasser (die maximale Wassertemperatur beträgt 35 ° C).
3. Den Tankdeckel absenken



**Füllen Sie, indem Sie den Wassertank entfernen.**

1. Heben Sie den Wassertank leicht in die in der Abbildung gezeigte Richtung an, um den Wassertank aus der Maschine zu entfernen. Füllen Sie den Tank bis zur Marke «MAX» mit sauberem Wasser (das maximale Fassungsvermögen beträgt 0,6 Liter).
2. Schieben Sie den Wassertank langsam auf den Boden des Tanks, und kehren Sie dabei den vorherigen Punkt um. Wenn der Wassertankauslass in den Einlassboden eingesetzt ist, drücken Sie ihn nach unten, um den Wassertank zu verriegeln.



**Beachtung:**

Ein Wassertropfen kann in der Maschine verbleiben. Um sicherzustellen, dass diese Maschine einwandfrei funktioniert, wurde sie vor Verlassen des Werks mit Wasser getestet.

**Vorsicht:**

Der unsachgemäße Umgang mit elektrischen Geräten ist gefährlich und kann tödlich sein.

## STANDBY MODUS

- In den werkseitigen Standardeinstellungen befindet sich das Gerät im "Standby" -Modus. In diesem Modus erlöschen die Maschine und alle Anzeigelampen nach 15 Minuten Inaktivität.
- Wenn das Gerät in den Standby-Modus wechselt, drücken Sie die Starttaste, um es wieder zu aktivieren.



## STANDBY-MODUS EINSTELLEN

- Halten Sie die Tasten Small Cup und Large Cup gedrückt.
- Schließen Sie die Maschine an die Steckdose an. Die Starttasten-LED leuchtet auf.
- Durch Drücken der Taste für kleine Tassen wird die LED an der Taste für kleine Tassen eingeschaltet und der Standby-Modus aktiviert.
- Durch erneutes Drücken der Taste für kleine Tassen wird die LED für die Taste für kleine Tassen ausgeschaltet und der Standby-Modus deaktiviert.



## WERKSEINSTELLUNGEN

- Halten Sie die Taste für den großen Becher gedrückt.
- Schließen Sie die Maschine an die Steckdose an.
- Das LED-Licht der Taste leuchtet zweimal auf und blinkt, um anzuzeigen, dass das Gerät auf die werkseitigen Standardeinstellungen zurückgesetzt wurde.



## KAFFEEZUBEREITUNG

1. Schließen Sie das Gerät an das Stromnetz an und drücken Sie den Netzschalter.



2. Heben Sie während des Aufheizens der Maschine den oberen Hebel an und ziehen Sie ihn heraus, um den Adapter zu entfernen.



3. Befolgen Sie die nachstehenden Anweisungen, um jeden Adaptertyp zu verwenden:



**Nespresso® Kapseln**

**Nespresso-Kapseln®:** Heben Sie die Kappe vom Kapseladapter ab. Setzen Sie eine Kapsel in den Adapter ein und senken Sie die Adapterkappe ab.



#### Dolce Gusto™ Kapseln

**Dolce Gusto™ Kapseln:** Setzen Sie eine Kapsel in den Adapter ein.



#### Gemahlene Kaffee

**Gemahlene Kaffee:** Heben Sie den Deckel des Adapters an und fügen Sie den gemahlene Kaffee hinzu. Drücken Sie nach unten, um den Kaffee zu verdichten, und senken Sie die Adapterabdeckung ab.

4. Drücken Sie den Adapter mit der Kapsel nach innen und schließen Sie den Hebel wie in der Abbildung gezeigt.



5. Stellen Sie eine Tasse unter den Spender. Drücken Sie die gewünschte Kaffeetaste nur einmal. Die Taste blinkt und das Gerät beginnt mit der Vorbereitung.



6. Sobald der Brühvorgang abgeschlossen ist, stoppt die Maschine automatisch, wenn die voreingestellte Brühzeit erreicht ist. Sie können die Kaffeemenge ändern, indem Sie die Standardbrühzeit an Ihren Geschmack anpassen. Siehe Abschnitt „Anpassen des Kaffeevolümens“.



#### Standardvorbereitungszeit:

##### • Kapseln

16s für kurzen Kaffee und 25s für langen Kaffee.

##### • Gemahlene Kaffee

25s für kurzen Kaffee und 47s für langen Kaffee.

7. Heben Sie den Hebel an und ziehen Sie den Adapter heraus, um die neue zu verwenden Kapsel einzusetzen oder den Adapter zu wechseln.

#### Beachtung:

Wenn Sie die Taste für den gewünschten Kaffee drücken, blinkt die LED möglicherweise einige Sekunden lang und beginnt dann mit der Zubereitung des Kaffees. Dies ist völlig normal.

## PASSEN SIE DAS KAFFEEVOLUMEN AN

• Sie können die Kaffeemenge ändern, indem Sie die Standardbrühzeit an Ihren Geschmack anpassen.

### • Stellen Sie die Lautstärke für eine kleine Tasse ein

Stellen Sie die Tasse unter den Kaffeeauslauf.

Halten Sie die Taste für die kleine Tasse gedrückt, bis Sie den gewünschten Kaffee erhalten (min. 10s, max. 90 s).



### • Stellen Sie die Lautstärke für große Tassen ein

Stellen Sie die Tasse unter den Kaffeeauslauf.

Halten Sie die Taste an der großen Tasse gedrückt, bis Sie den gewünschten Kaffee erhalten (min. 10s, max. 90 s).



## REINIGUNG

• Ziehen Sie unbedingt den Netzstecker aus der Steckdose, bevor Sie das Gerät reinigen.

• Tauchen Sie die Maschine oder einen Teil davon niemals in Wasser, da Sie durch einen Stromschlag schwer verletzt oder sogar getötet werden könnten!

• Verwenden Sie kein starkes Reinigungsmittel oder Lösungsmittel.

• Verwenden Sie keine scharfen Gegenstände oder Bürsten, Schleifmittel oder scharfen Gegenstände.

• Reinigen Sie die Teile nicht in der Spülmaschine.

### Kapsel und Kaffeedapter reinigen

• Leeren Sie den Adapterbehälter und waschen Sie ihn mit Wasser. Trocknen Sie das gesamte Stück gut mit einer Serviette oder einem trockenen Tuch.



### Maschine reinigen

• Mit einem sauberen, feuchten Tuch oder Papier abwischen und alle Teile wieder zusammenbauen. Reinigen Sie den Kaffeeauslauf und den Brühbereich regelmäßig mit einem feuchten Tuch.

## INNENROHRE ENTLERN UND REINIGEN

• Bevor Sie die Maschine nach langen Pausen (z. B. an Feiertagen) wieder benutzen, sollte die Maschine gut gespült werden. Mit diesem kurzen Verfahren wird der Innenschlauch gründlich gespült und gereinigt.

### Prozess

1. Füllen Sie den Wassertank (siehe "Erste Schritte").



2. Schließen Sie das Gerät an die Steckdose an.





3. Drücke den Power Knopf.



4. Die Tasten-LEDs stabilisieren sich, wenn sich die Maschine aufgewärmt hat. Die Aufwärmzeit beträgt ca. 45 Sekunden.

Stellen Sie vor dem Drücken der langen Kaffeetaste Folgendes sicher:

- Der Fachhebel ist geschlossen und ohne Kapsel im Inneren.
- Der Wassertank ist voll.
- Der Wassertank ist fest angebracht, da sonst Wasser austreten kann.



5. Stellen Sie eine große Tasse (250 ml oder größer) unter den Spender.



6. Drücken Sie die lange Kaffeetaste und warten Sie, bis das Gerät den Spülvorgang abgeschlossen hat.



7. Heben Sie den Hebel erst an, wenn der Spülvorgang automatisch beendet wird.

## KAFFEEMASCHINE ABTROPFEN LASSEN

- Wenn in der Kaffeemaschine kein Wasser fließt, muss die interne Wasserpumpe entleert werden.
  - Dieses Verfahren kann erforderlich sein, wenn die Kaffeemaschine längere Zeit nicht benutzt wird oder wenn sie ohne Wasser im Vorratsbehälter aktiviert wurde.
  - Es ist ratsam, die Kaffeemaschine zu entleeren, wenn Sie sie zum ersten Mal verwenden.
  - Gehen Sie folgendermaßen vor, um die Pumpe zu entleeren und die Kaffeemaschine normal zu verwenden:
1. Ziehen Sie den Stecker aus der Steckdose und entfernen Sie den Wassertank. Entfernen Sie die Kapseln und Kapselhalter vom Brauer und senken Sie den Hebel. Schließen Sie die Kunststoffarmatur an den Wassereinfluss an und entfernen Sie den Kolben.
  2. Fügen Sie ein wenig Wasser hinzu.
  3. Schließen Sie den Kolben an die Pumpenarmatur an und drücken Sie ihn ganz hinein.
- Das in der Pumpe enthaltene Wasser gelangt zum internen System, wodurch die in den Kanälen enthaltene Luft entfernt wird.
  - Während dieses Vorgangs kann etwas Wasser aus dem Stift oben hinten am Gerät austreten. Verwenden Sie ein Tuch, damit das Wasser nicht auf den Tisch fällt.
  - Wiederholen Sie diesen Vorgang gegebenenfalls zwei- oder dreimal.



## ENTKALKUNG / WARTUNG DER KAFFEEMASCHINE

Trinkwasser variiert je nach Region. Kalkpartikel aus Trinkwasser lagern sich als Abfall in der Maschine ab und können das Rohr blockieren und Schäden verursachen. Um dies zu vermeiden, entkalken Sie die Maschine mindestens nach der Zubereitung von 300 bis 400 Tassen Kaffee oder in jedem Fall, wenn die Produktion erheblich sinkt oder nach ein oder zwei Monaten. Die Entkalkung muss korrekt durchgeführt werden, um Schäden zu vermeiden.

Befolgen Sie die folgenden Anweisungen sorgfältig.

1. Füllen Sie den Tank mit einer Mischung aus Wasser und einer handelsüblichen Entkalkungsflüssigkeit für Kaffeemaschinen (befolgen Sie immer die Anweisungen des Herstellers).
2. Stellen Sie sicher, dass sich keine Kapseln in der Maschine befinden.
3. Stellen Sie einen großen Behälter unter den Ausgabekopf, um die Mischung und die Kalkreste zu sammeln.
4. Drücken Sie die Large Cup-Taste, um die Entkalkung durchzuführen. Wiederholen Sie den Vorgang mehrmals, bis das gesamte Wasser im Tank aufgebraucht ist.
5. Wiederholen Sie den Vorgang, um den internen Kreislauf mit einem Tank mit sauberem Wasser (keine Entkalkungsflüssigkeit) zu spülen, um den internen Kreislauf vollständig zu reinigen und den guten Geschmack Ihrer Getränke sicherzustellen.

### Wichtig:

- Seien Sie äußerst vorsichtig mit heißem Wasser!
- Reinigen Sie die Maschine niemals mit Essig. Dadurch wird die Maschine beschädigt und die Getränke schmecken schlecht.
- Schäden, die durch falsche Entkalkung oder fehlende Entkalkung verursacht wurden, fallen nicht unter die Garantie.

## SICHERHEITSWARNUNGEN



Befeuchten Sie die Maschine nicht und stellen Sie sie nicht ins Wasser.



Heben Sie den Hebel nicht an, während Sie den Brauer benutzen.



Berühren Sie nicht die Oberseite des Adapters, wenn Sie ihn aus dem Fach entfernen, da er sehr heiß ist und Verbrennungen verursachen kann.



Auf der Oberseite des Kapseladapters befindet sich eine scharfe Nadel. Legen Sie Ihre Hand nicht darunter oder in die Nähe, da sie sonst durchstoßen werden kann.



Schalten Sie das Gerät nicht ein und benutzen Sie es nicht, wenn sich kein Wasser im Tank befindet.

## FEHLERBEHEBUNG

PROBLEM	URSACHE	LÖSUNG
Es kommt kein Kaffee heraus.	Der Wassertank ist leer.	Füllen Sie den Wassertank.
Der Kaffee ist nicht heiß genug.	Die Maschine ist kalt.	Warten Sie die angegebene Zeit zum Erhitzen.
	Kalkablagerungen.	Entkalkung durchführen.
Es ist verschübbetes Wasser.	Der Wassertank ist undicht.	Überprüfen Sie, ob das Vorratsventil festsetzt.
	Die untere Tropfschale ist mit Wasser gefüllt.	Leeren Sie die Tropfschale.
Der Hebel kann nicht geschlossen werden.	Der Kapsel- / Kaffeeadapter sitzt nicht richtig.	Überprüfen und positionieren Sie den Adapter richtig.
	Überfüllen Sie den gemahlener Kaffeeadapter nicht. Wenn Sie den Hebel zu stark durch überschüssiger Kaffee drücken, kann er brechen.	Hüllen und drücken Sie den Kaffee leicht, ohne überzulaufen oder zu kompakt zu sein.



In Übereinstimmung mit den Richtlinien 2012/19 / EU und 2002/96 / EU über die Beschränkung der Verwendung gefährlicher Stoffe in elektrischen und elektronischen Geräten sowie deren Altentsorgung. Das Symbol mit der gekreuzten Mülltonne auf der Verpackung zeigt an, dass das Produkt am Ende seiner Nutzungsdauer als separater Abfall gesammelt wird. Daher muss jedes Produkt, das das Ende seiner Nutzungsdauer erreicht hat, an spezialisierte Altentsorgungscentren zur selektiven Sammlung von elektrischen und elektronischen Abfallgeräten geliefert oder beim Kauf ähnlicher neuer Geräte an den Einzelhändler zurückgegeben werden für eine Basis. Die ordnungsgemäße getrennte Sammlung für die spätere Inbetriebnahme von Geräten, die zum umweltfreundlichen Recycling zur Behandlung und Entsorgung vorselektiert werden. Trägt dazu bei, mögliche negative Auswirkungen auf Umwelt und Gesundheit zu vermeiden und das Recycling und die Wiederverwendung zu optimieren (die Komponenten, aus denen das Gerät besteht). Diesem wesentlichen Beitrag des Produkts durch den Benutzer impliziert die Anwendung von Verwaltungsmaßnahmen in Übereinstimmung mit den Gesetzen.

# NEDERLANDS

---

Hartelijk dank voor het kiezen van ons koffiezetapparaat. Lees voordat u dit product gebruikt zorgvuldig de instructies voor het juiste gebruik.

De meegeleverde veiligheidsmaatregelen verminderen het risico van elektrische schokken, letsel en zelfs overlijden als ze strikt worden opgevolgd. Bewaar deze handleiding op een veilige plaats voor toekomstig gebruik, samen met de naar behoren ingevulde productgarantiekaart, de originele productverpakking en het aankoopbewijs. Geef deze instructies indien mogelijk door aan de volgende eigenaar van het apparaat. Volg altijd de basisveiligheidsmaatregelen en ongevallenpreventievoorschriften bij het gebruik van een apparaat. Wij wijzen elke verantwoordelijkheid af die voortvloeit uit het niet naleven van deze instructies door klanten.

## BEVEILIGINGSINSTRUCTIES

Bij het gebruik van een elektrisch apparaat moeten altijd elementaire veiligheidsmaatregelen in acht worden genomen.

- Sluit de koffiemachine alleen aan op een goed geaard stopcontact.
- Om er zeker van te zijn dat de machine is uitgeschakeld, haalt u de stekker uit het stopcontact.
- Koppel altijd het netsnoer los voordat u de machine verplaatst, schoonmaakt of onderhoudstaken uitvoert en voor lange periodes van niet-gebruik.
- Houd het netsnoer nooit vast en laat het nooit over scherpe hoeken of randen lopen.
- Koppel het netsnoer nooit los door eraan te trekken; Houd altijd de stekker vast.
- Als u een verlengsnoer nodig heeft, zorg er dan voor dat dit geschikt is voor uw machine en leg het snoer stevig vast.
- Gebruik de machine nooit zonder water.
- Zorg er altijd voor dat de hoeveelheid water in de tank niet minder is dan het minimumniveau.
- Gebruik de machine niet in geval van storing, beschadigd netsnoer of na een val of andere schade.
- Neem in dergelijke gevallen contact op met de klantenservice.
- Houd kinderen tijdens het gebruik uit de buurt van de machine.
- Gebruik de machine alleen in droge omgevingen.
- Laat het netsnoer niet te laag hangen, u kunt er over struikelen.
- Deze machine is uitsluitend bedoeld voor huishoudelijk gebruik.
- Gebruik nooit vervangende onderdelen of accessoires die niet door de fabrikant worden aanbevolen om schade te voorkomen.
- Bewaar dit apparaat buiten het bereik van kinderen of mensen die niet over de nodige vaardigheden beschikken om het zonder toezicht te gebruiken.
- Als het netsnoer beschadigd is, moet het worden vervangen door de fabrikant, de verkoper of een gekwalificeerde technische dienst.
- Kies een droge, stabiele en vlakke ondergrond die niet direct onder de uitlaat zit.
- Het moet minstens 60 cm verwijderd zijn van de gootsteen en kranen.
- Plaats het nooit op brandbare oppervlakken of apparatuur, zekeringen of thermo-elektrische apparaten (magnetron, vaatwasser, enz.)
- Plaats de machine of het netsnoer nooit binnen 50 cm van hete oppervlakken of open vuur.
- Dek de machine nooit af tijdens het gebruik.

- Dit apparaat is bedoeld voor gebruik in de huiselijke omgeving en dergelijke, zoals: Personeelskeukenruimtes in winkels, kantoren en andere werkomgevingen; Landelijke huizen; hotels, motels en andere woonomgevingen.

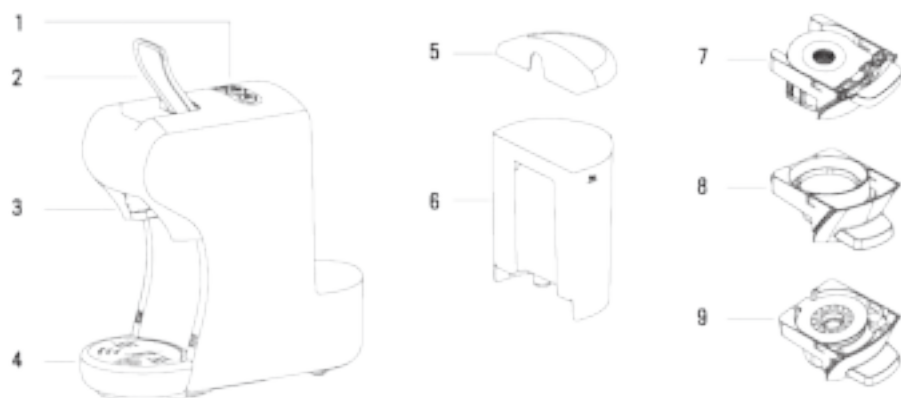
#### **Gevaar door elektrische schok**

- Dompel de machine nooit onder in water of een andere vloeistof.
- Beschadigde stroomkabels kunnen alleen worden vervangen door de technische dienst, neem contact op met de klantenservice.
- Raak de stekker, het stopcontact, het snoer of de machine nooit met vochtige of natte handen aan.

#### **Gevaar voor brandwonden**

- Verplaats de machine nooit tijdens het gebruik.
- Raak nooit zeer hete delen van de machine aan (bijvoorbeeld het filtersysteem tijdens het gebruik).
- Kom niet in de buurt van stoom of vloeistofstralen.
- Beweeg de hendel niet als de machine nog onder druk staat om koffie te zetten.
- Haal de stekker uit het stopcontact en laat de machine volledig afkoelen voordat u hem reinigt of onderhoudt.

### LIJST MET ONDERDELEN



1. Bedieningsknoppen. Aan, korte koffie en lange koffie.
2. Openingshendel voor het wisselen van adapters.
3. Compartiment voor adapters.
4. Verstelbare bekerhouder.

5. Watertank deksel.
6. Watertank.
7. Adapter voor Nespresso®-capsules.
8. Dolce Gusto™ capsule-adapter.
9. Adapter voor gemalen koffie.

### OVER DEZE HANDLEIDING

Deze handleiding kan niet alle mogelijke omstandigheden behandelen. In geval van twijfel of problemen die niet voldoende beschreven zijn in deze handleiding, kunt u voor meer informatie contact opnemen met de Klantenservice. Bewaar deze handleiding voor toekomstig gebruik.

## UITGEPAKT

1. Haal de koffiemachine uit de verpakking.
  2. Controleer na het uitpakken of de volgende onderdelen aanwezig zijn:
    - Watertank
    - Koffiezetapparaat
    - Handboek
    - Adapters voor capsules en gemalen koffie.
- **Notitie:**
- Controleer of het voltage van de elektrische stroom in uw huis hetzelfde is als aangegeven op het typeplaatje van de machine.
  - Recycle alle plastic zakken om gevaar voor kinderen te vermijden.
  - Bewaar de verpakking voor het transporteren van de machine (bijvoorbeeld voor demontage, reparatie etc.).

## EERSTE STAPPEN

Voordat u uw koffiemachine voor de eerste keer gebruikt, dient u de veiligheidsvoorschriften in deze handleiding in acht te nemen, met name de volgende:

- Wees voorzichtig met heet water. U kunt zich verbranden.
- Spoel het waterreservoir voor het eerste gebruik goed uit met schoon water.
- Gebruik de machine niet met een lege watertank of als het waterpeil onder het minimum staat.
- Gebruik de machine alleen in een droge ruimte.
- Open de hendel niet als de machine aan het opwarmen is of draait.
- Trek altijd de stekker uit het stopcontact voordat u de machine reinigt.
- Maak de koffiemachine alleen schoon met een vochtige doek.

De eerste stap is om de watertank te vullen, er zijn twee manieren om dit te doen:

**Vul bij zonder de tank te verwijderen.**

1. Til het deksel van het waterreservoir op
2. Vul de tank met schoon water (de maximale watertemperatuur is 35°C)
3. Laat de tankdop zakken

**Vul bij door het waterreservoir te verwijderen.**

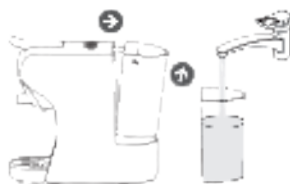
1. Til de watertank iets op in de richting die op de afbeelding wordt getoond om de watertank uit de machine te verwijderen. Vul de tank tot aan de markering «MAX» met schoon water (de maximale capaciteit is 0,6 liter).
2. Schuif de watertank langzaam op de bodem van de tank en doe het omgekeerde van het vorige punt. Wanneer de watertank uitlaat in de inlaatbodem is gestoken, drukt u deze omlaag om de watertank te vergrendelen.

**Aandacht:**

Er kan een druppel water in de machine achterblijven. Om er zeker van te zijn dat deze machine foutloos werkt, is hij voor het verlaten van de fabriek met water getest.

**Voorzichtigheid:**

Onjuiste omgang met elektrische apparatuur is gevaarlijk en kan dodelijk zijn.



## STANDBY MODUS

- In de standaardfabrieksinstellingen staat de machine in de modus "Stand-by". In deze modus gaan de machine en alle indicatielampjes uit na 15 minuten inactiviteit.
- Als de machine in de stand-bymodus gaat, drukt u op de startknop om deze weer te activeren.



## DE STAND-BYMODUS INSTELLEN

- Houd de knoppen Small Cup en Large Cup ingedrukt.
- Sluit de machine aan op het stopcontact. De startknop-LED gaat branden.
- Door op de knop voor het kleine kopje te drukken, gaat de LED op de knop voor het kleine kopje aan, waardoor de modus "Standby" wordt geactiveerd.
- Door nogmaals op de knop voor kleine kop te drukken, wordt de LED voor de knop voor kleine kopjes uitgeschakeld, waardoor de stand-bymodus wordt uitgeschakeld.



## STANDAARD FABRIEKSINSTELLINGEN

- Houd de knop Grote mok ingedrukt.
- Sluit de machine aan op het stopcontact.
- Het LED-lampje van de knop gaat twee keer branden en knippen om aan te geven dat de machine is teruggekeerd naar de fabrieksinstellingen.



## KOFFIEBEREIDING

1. Sluit de machine aan op het lichtnet en druk op de aan / uit-knop.
2. Terwijl de machine opwarmt, tilt u de bovenste hendel op en trekt u deze uit om de adapter te verwijderen.
3. Volg de onderstaande instructies om elk type adapter te gebruiken:



**Nespresso® capsules**

**Nespresso-capsules®:** Til de dop van de capsuleadapter. Plaats een capsule in de adapter en laat de adapterdop zakken.



#### Dolce Gusto™ capsules

**Dolce Gusto™ -capsules:** Plaats een capsule in de adapter.



#### Gemalen koffie

**Gemalen koffie:** Til het deksel van de adapter op en voeg de gemalen koffie toe. Druk omhoog om de koffie samen te persen en laat het adapterdeksel zakken.

4. Duw de adapter met de capsule erin en sluit de hendel, zoals weergegeven in de afbeelding.



5. Plaats een kopje onder de dispenser. Druk slechts één keer op de gewenste koffieknoop. De knop gaat knippen en de machine begint met voorbereiden.



6. Zodra het koffiezetten is voltooid, stopt de machine automatisch wanneer de vooraf ingestelde koffiezettijd is bereikt. U kunt de hoeveelheid koffie wijzigen door de standaard koffiezettijd aan te passen aan uw smaak. Zie het gedeelte "Het koffievolume aanpassen".

#### Standaard voorbereidingstijd:

- **Capsules**

16 s voor korte koffie en 25 s voor lange koffie.

- **Gemalen koffie**

25 s voor korte koffie en 47 s voor lange koffie.

7. Til de hendel op en trek de adapter uit om de nieuwe capsule te plaatsen of om de adapter te vervangen.

#### Aandacht:

Wanneer u op de knop voor de gewenste koffie drukt, zal de LED misschien eerst een paar seconden knippen en dan beginnen met het bereiden van de koffie, het is iets heel normaal.





## PAS HET KOFFIEVOLUME AAN

- U kunt de hoeveelheid koffie wijzigen door de standaard zettijd aan te passen aan uw smaak.

- **Pas het volume aan voor een klein kopje**

Plaats het kopje onder de koffietuit.

Houd de knop voor het kleine kopje ingedrukt totdat u de gewenste koffie krijgt (min. 10 sec., Max. 90 sec).



- **Pas het volume aan voor een grote kop**

Plaats het kopje onder de koffietuit.

Houd de knop op de grote kop ingedrukt totdat u de gewenste koffie krijgt (min. 10 sec., Max. 90 sec).



## SCHOONMAAK

- Zorg ervoor dat u de stekker van de machine uit het stopcontact haalt voordat u deze schoonmaakt.
- Dompel de machine of een deel ervan nooit onder in water, u kunt ernstig letsel oplopen of zelfs overlijden door een elektrische schok!
- Gebruik geen sterke reinigingsmiddelen of oplosmiddelen.
- Gebruik geen scherpe voorwerpen of borstels, schuurmiddelen of scherpe.
- Reinig de onderdelen niet in de vaatwasser.

### De capsule en koffleadapters reinigen

- Leeg het adapterreservoir en was het met water. Droog het hele stuk goed af met een servet of een droge doek.

### Reiniging van de machine

- Veeg af met een schone, vochtige doek of papier en zet alle onderdelen weer in elkaar. Maak de koffietuit en de bereidingsruimte regelmatig schoon met een vochtige doek.



## LEEGMAKEN EN REINIGEN VAN DE INTERNE LEIDINGEN

- Voordat u de machine na lange pauzes (bijv. Vakanties) weer gebruikt, moet de machine goed worden afgespoeld. Deze korte procedure is om de interne slang grondig te spoelen en te reinigen.

### Werkwijze

1. Vul het waterreservoir (zie "Eerste stappen").



2. Sluit het apparaat aan op het stopcontact.



3. Druk op de aan knop.



4. De knop-LED's stabiliseren wanneer de machine is opgewarmd. De opwarmtijd is ongeveer 45 seconden.

Voordat u op de knop koffie lang drukt, moet u ervoor zorgen dat:

- De hendel van het compartiment is gesloten en er zit geen capsule in.
- Het waterreservoir is vol.
- Het waterreservoir zit stevig op zijn plaats, anders kan het water lekken.



5. Plaats een grote kop (250 ml of groter) onder de dispenser.



6. Druk op de lange koffieknop en wacht tot het apparaat klaar is met spoelen.



7. Hef de hendel pas omhoog als het spoelproces automatisch stopt.

## LAAT HET KOFFIEZETAPPARAAT LEEGLOPEN

- Als er geen water in de koffiemachine stroomt, moet de interne waterpomp worden afgetapt.
  - Deze procedure kan nodig zijn als de koffiezetter lange tijd niet wordt gebruikt of als deze is geactiveerd zonder dat er water in het reservoir zit.
  - Het is raadzaam om het koffiezetapparaat af te tappen als je het voor het eerst gebruikt.
  - Volg deze stappen om de pomp leeg te laten lopen en het koffiezetapparaat normaal te gebruiken:
1. Haal de stekker uit het stopcontact en verwijder het waterreservoir. Verwijder de capsules en capsulehouders uit de brewer en laat de hendel zakken. Sluit de plastic fitting aan op de waterinlaat en verwijder de plunjer.
  2. Voeg een beetje water toe.
  3. Sluit de plunjer aan op de pompfitting en druk deze er helemaal in.
- Het water in de pomp gaat naar het interne systeem, waardoor de lucht in de kanalen wordt verwijderd.
  - Tijdens dit proces kan er een beetje water uit de pin aan de achterkant van het apparaat komen, gebruik een doek zodat het water niet op de tafel valt.
  - Herhaal deze procedure indien nodig 2 of 3 keer.



## ONTKALKEN / ONDERHOUD VAN DE KOFFIEMACHINE

Drinkwater verschilt per regio. Kalkdeeltjes uit drinkwater komen als afval in de machine terecht en kunnen de leiding verstoppem en schade veroorzaken. Om dit te voorkomen, moet u de machine in ieder geval na het zetten van 300 tot 400 kopjes koffie of, in ieder geval als de productie aanzienlijk daalt, of na één of twee maanden ontkalken. Ontkalking moet correct gebeuren om schade te voorkomen.

Volg zorgvuldig onderstaande instructies.

1. Vul de tank met een mengsel van water en een in de handel verkrijgbare ontkalkingsvloeistof voor koffiezetapparaten (volg altijd de instructies van de fabrikant).
2. Zorg ervoor dat er geen capsules in de machine zitten.
3. Plaats een grote kom onder de uitgiftekop om het mengsel en kalkresten op te vangen.
4. Druk op de knop Grote beker om te ontkalken. Herhaal het proces meerdere keren totdat al het water in de tank is opgebruikt.
5. Herhaal het proces om het interne circuit te spoelen met een tank met schoon water (geen ontkalkingsvloeistof) om het interne circuit volledig te reinigen en de goede smaak van uw dranken te verzekeren.

### Belangrijk:

- Wees uiterst voorzichtig met heet water!
- Maak de machine nooit schoon met azijn. Dit zal de machine beschadigen en de dranken slecht laten smaken.
- Schade veroorzaakt door onjuiste ontkalking of onvoldoende ontkalking valt niet onder de garantie.

## BEVEILIGINGSWAARSCHUWINGEN



Maak de machine niet nat en leg hem niet in het water.



Til de hendel niet op tijdens het gebruik van de brewer.



Raak de bovenkant van de adapter niet aan wanneer u deze uit het compartiment haalt, aangezien deze erg heet is en brandwonden kan veroorzaken.



Bovenop de capsule-adapter zit een scherpe naald. Plaats uw hand er niet onder of ernaast, aangezien deze kan worden doorboord.



Schakel het apparaat niet in of gebruik het niet als er geen water in de tank zit.

## PROBLEEMOPLOSSEN

PROBLEEM	OORZAAK	OPLOSSING
Er komt geen koffie uit.	Het waterreservoir is leeg.	Vul het waterreservoir.
De koffie is niet heet genoeg.	De machine is koud.	Wacht de aangegeven tijd om te verwarmen.
	Kalkopbouw.	Ontkalken.
Er is water gemorst.	De watertank lekt.	Controleer of de reservoirkoppeling vastzit.
	De onderste lekbak zit vol met water.	Leeg de lekbak.
De hendel kan niet worden gesloten.	De capsule / koffiadapter is niet goed geïnstalleerd.	Controleer en plaats de adapter correct.
	Doordat de adapter voor gemalen koffie niet is vol, als u de hendel te veel door overtollige koffie duwt, kan deze breken.	Vul en pers de koffie lichtjes zonder over te lopen of te compact te worden.



In overeenstemming met de richtlijn(en) 2012/19 / EU en 2013/86 / EU betreffende de beperking van het gebruik van gevaarlijke stoffen in elektrische en elektronische apparatuur, waarbij hun afvalverwerking. Het symbool met de gekruiste vuilnisbak of de recyclingpfeil aan het product aan het einde van zijn levensduur als gevaarlijk afval wordt ingeworpen. Daarom moet elk product dat het einde van zijn levensduur heeft bereikt, worden afgeleverd bij gespecialiseerde afvalverwijderingscentra voor de selectieve inzameling van afgedane elektrische en elektronische apparatuur, of bij de aankoop van soortgelijke nieuwe apparatuur in één keer aan de dealerhandelaar worden gerecycled, voor zijn basis. Een juiste geschikte inzameling voor afvalverwijdering van apparatuur die wordt vervoerd om te worden gerecycled, behandeld en op milieuvriendelijke wijze afgevoerd, helpt mogelijke negatieve effecten op het milieu en de gezondheid te voorkomen en optimaliseert recycling en hergebruik van de componenten waaruit het apparaat bestaat. De onrechtmatige eliminatie van het product door de gebruiker kan leiden tot toepassing van administratieve sancties in overeenstemming met de wetten.

Bardzo dziękujemy za wybór naszego ekspresu do kawy. Przed użyciem tego produktu uważnie przeczytaj instrukcję jego prawidłowego użytkowania.

Dołączone środki ostrożności zmniejszają ryzyko porażenia prądem elektrycznym, obrażeń, a nawet śmierci, jeśli są ściśle przestrzegane. Prosimy zachować tę instrukcję w bezpiecznym miejscu, aby móc z niej skorzystać w przyszłości, wraz z należyście wypełnioną kartą gwarancyjną produktu, oryginalnym opakowaniem produktu i dowodem zakupu. Jeśli to możliwe, przekaz tę instrukcję następnemu właścicielowi urządzenia. Podczas korzystania z urządzenia należy zawsze przestrzegać podstawowych środków ostrożności i zasad zapobiegania wypadkom. Nie ponosimy żadnej odpowiedzialności wynikającej z naruszenia niniejszych Instrukcji przez klientów.

## INSTRUKCJE BEZPIECZEŃSTWA

Podczas korzystania z dowolnego urządzenia elektrycznego należy zawsze przestrzegać podstawowych środków ostrożności.

- Ekspres należy podłączać wyłącznie do prawidłowo uziemionego gniazdka elektrycznego.
- Aby upewnić się, że urządzenie jest wyłączone, wyjmij wtyczkę z gniazdka elektrycznego.
- Zawsze wyjmuj wtyczkę z gniazdka przed przenoszeniem urządzenia, czyszczeniem go lub wykonywaniem prac konserwacyjnych i przez długi czas bez używania.
- Nigdy nie trzymaj ani nie prowadź przewodu zasilającego po ostrych rogach lub krawędziach.
- Nigdy nie odłączaj przewodu zasilającego, ciągnąc za niego; zawsze trzymaj za wtyczkę.
- Jeśli potrzebujesz przedłużacza, upewnij się, że jest on odpowiedni dla twojego urządzenia i dobrze go potóż.
- Nigdy nie używaj maszyny bez wody.
- Zawsze upewnij się, że ilość wody w zbiorniku nie jest mniejsza niż minimalny poziom.
- Nie używaj maszyny w przypadku awarii, uszkodzenia przewodu zasilającego, upadku lub innego uszkodzenia.
- W takich przypadkach prosimy o kontakt z Obsługą Klienta.
- Trzymaj dzieci z dala od maszyny podczas pracy.
- Używaj maszyny tylko w suchym otoczeniu.
- Nie pozwól, aby przewód zasilający zwisał zbyt nisko, istniejące ryzyko potknięcia się.
- To urządzenie jest przeznaczone wyłącznie do użytku domowego.
- Aby uniknąć uszkodzeń, nigdy nie używaj części zamiennych lub akcesoriów niezalecanych przez producenta.
- Urządzenie należy przechowywać poza zasięgiem dzieci lub osób niewykwalifikowanych do użytku bez nadzoru.
- Jeśli przewód zasilający jest uszkodzony, musi zostać wymieniony przez producenta, sprzedawcę lub wykwalifikowaną Służbę Techniczną.
- Wybierz suchą, stabilną i równą powierzchnię nośną, która nie znajduje się bezpośrednio pod wylotem.
- Musi znajdować się co najmniej 60 cm od zlewu i kranów.
- Nigdy nie umieszczaj go na łatwopalnych powierzchniach lub sprzęcie, bezpiecznikach lub urządzeniach termoelektrycznych (kuchenka mikrofalowa, zmywarka itp.)

- Nigdy nie umieszczaj urządzenia ani przewodu zasilającego w promieniu 50 cm od gorących powierzchni lub otwartego ognia.
- Nigdy nie zakrywaj maszyny podczas pracy.
- To urządzenie jest przeznaczone do użytku w środowisku domowym itp., Takich jak: Kuchnie dla personelu w sklepach, biurach i innych miejscach pracy; Domy wiejskie; hotele, motele i inne miejsca zamieszkania.

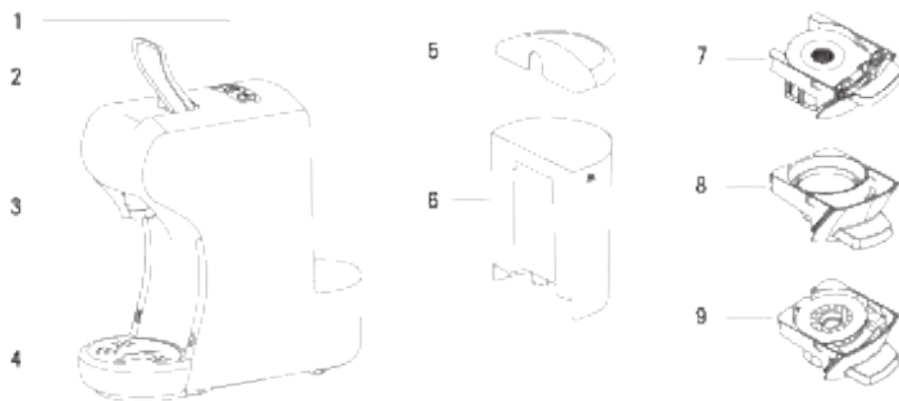
#### Niebezpieczeństwo porażenia prądem

- Nigdy nie zanurzaj urządzenia w wodzie ani innym płynie.
- Uszkodzone przewody zasilające może wymienić tylko serwis techniczny, skontaktuj się z obsługą klienta.
- Nigdy nie dotykaj wtyczki, gniazdka, przewodu ani maszyny wilgotnymi lub mokrymi rękami.

#### Zagrożenie oparzeniem

- Nigdy nie przesuwaj maszyny podczas pracy.
- Nigdy nie dotykać bardzo gorących części urządzenia (na przykład zaparzacza podczas pracy).
- Nie zbliżaj się do pary lub strumienia cieczy.
- Nie przesuwaj dźwigni, gdy ekspres jest nadal pod ciśnieniem, przygotowując kawę.
- Odłącz przewód zasilający i pozwól urządzeniu całkowicie ostygnąć przed czyszczeniem lub konserwacją.

### LISTA CZĘŚCI



1. Przyciski sterujące. Dalej, krótka kawa i długa kawa.
2. Dźwignia otwierająca do wymiany adapterów.
3. Przegroda na adaptery.
4. Regulowany uchwyt na kubek.

5. Pokrywa zbiornika na wodę.
6. Zbiornik wodny.
7. Adapter do kapsulek Nespresso®.
8. Adapter do kapsulek Dolce Gusto™.
9. Adapter do kawy mielonej.

### O TYM PODRĘCZNIKU

Niniejsza instrukcja obsługi nie obejmuje wszystkich możliwych okoliczności. W przypadku wątpliwości lub problemów, które nie zostały odpowiednio opisane w niniejszej instrukcji obsługi, można uzyskać więcej informacji, kontaktując się z Biurem Obsługi Klienta. Zachowaj tę instrukcję do wykorzystania w przyszłości.

## ROZPAKOWANY

1. Wyjąć ekspres do kawy z opakowania.

2. Po rozpakowaniu sprawdź, czy dołączone są następujące części:

- Zbiornik wodny
- Maszyna do kawy
- Podręcznik
- Adaptery do kapsułek i kawy mielonej.

• **Uwaga:**

- Sprawdź, czy napięcie prądu elektrycznego w Twoim domu jest takie samo, jak to zaznaczone na tabliczce znamionowej urządzenia.
- Poddać recyklingowi wszystkie plastikowe torby, aby uniknąć zagrożeń dla dzieci.
- Zachowaj opakowanie do transportu maszyny (na przykład w celu demontażu, naprawy itp.).

## PIERWSZE KROKI

Przed pierwszym użyciem ekspresu do kawy należy zwrócić uwagę na środki ostrożności zawarte w niniejszej instrukcji, aw szczególności na następujące:

- Uważaj na gorącą wodę. Możesz się poparzyć.
- Przed pierwszym użyciem dobrze wypłucz zbiornik na wodę czystą wodą.
- Nie używaj maszyny z pustym zbiornikiem na wodę lub gdy poziom wody jest poniżej minimum.
- Używaj maszyny tylko w suchym pomieszczeniu.
- Nie otwieraj dzwigni, gdy maszyna się nagrzewa lub pracuje.
- Przed czyszczeniem urządzenia zawsze odłącz przewód zasilający.
- Czyść ekspres tylko wilgotną szmatką.

**Pierwszym krokiem jest napełnienie zbiornika na wodę, można to zrobić na dwa sposoby:**

**Napełnij bez wyjmowania zbiornika.**

1. Podnieś pokrywę zbiornika na wodę
2. Napełnij zbiornik czystą wodą (maksymalna temperatura wody to 35°C)
3. Opuść korek zbiornika

**Napełnij, wyjmując zbiornik na wodę.**

1. Lekko unieś zbiornik na wodę w kierunku pokazanym na rysunku, aby wyjąć zbiornik na wodę z urządzenia. Napełnij zbiornik czystą wodą do znaku «MAX» (maksymalna pojemność wynosi 0,6 litra).
2. Wsuń zbiornik na wodę powoli na podstawę zbiornika, postępując w odwrotnej kolejności od poprzedniego punktu. Po włożeniu wylotu zbiornika wody do podstawy wlotu należy nacisnąć w dół, aby zablokować zbiornik na wodę.

**Uwaga:**

W urządzeniu może pozostać kropla wody. Aby upewnić się, że maszyna działa bez zarzutu, przed opuszczeniem fabryki została przetestowana z wodą.

**Uwaga:**

Niewłaściwe obchodzenie się ze sprzętem elektrycznym jest niebezpieczne i może być śmiertelne.



## TRYB CZUWANIA

- W domyślnych ustawieniach fabrycznych urządzenie znajduje się w trybie „Czuwania”. W tym trybie urządzenie i wszystkie kontrolki wyłącza się po 15 minutach bezczynności.
- Jeśli urządzenie przejdzie w tryb gotowości, naciśnij przycisk Start, aby ponownie je obudzić.



## USTAWIANIE TRYBU CZUWANIA

- Naciśnij i przytrzymaj przyciski małej filiżanki i dużej filiżanki.
- Podłącz urządzenie do gniazdka elektrycznego. Dioda przycisku Start zaświeci się.
- Naciśnięcie przycisku małej filiżanki włączy diodę na przycisku małej filiżanki, aktywując tryb „Standby”.
- Ponowne naciśnięcie przycisku małej filiżanki wyłączy diodę przycisku małej filiżanki, wyłączając tryb „Standby”.



## USTAWIENIA FABRYCZNE

- Naciśnij i przytrzymaj przycisk dużego kubka.
- Podłącz urządzenie do gniazdka elektrycznego.
- Dioda LED przycisku zaświeci się i zamigie dwukrotnie, wskazując, że urządzenie powróciło do domyślnych ustawień fabrycznych.



## PRZYGOTOWANIE KAWY

1. Podłącz maszynę do sieci i naciśnij przycisk zasilania.
2. Gdy maszyna się nagrzewa, podnieś górną dźwignię i pociągnij, aby wyjąć adapter.
3. Postępuj zgodnie z poniższymi instrukcjami, aby użyć każdego typu adaptera:



**Nespresso® kapsułki**

**Kapsułki Nespresso®:** Zdjąć nasadkę z adaptera kapsułek. Włożyć kapsułkę do adaptera i opuścić nasadkę adaptera.





#### Dolce Gusto™ kapsułki

**Kapsułki Dolce Gusto™:** Włóż kapsułkę do adaptera.



#### Kawa mielona

**Kawa mielona:** Podnieś pokrywkę adaptera i dodaj zmieloną kawę. Dociśnij, aby zagęścić kawę i opuść pokrywkę adaptera.

4. Wsuń adapter z kapsułką do środka i zamknij dźwignię w dół, jak pokazano na rysunku.



5. Podstawić filiżankę pod dozownik. Naciśnij żądany przycisk kawy tylko raz. Przycisk zacznie migać, a urządzenie rozpocznie przygotowywanie.



6. Po zakończeniu procesu parzenia, urządzenie zatrzyma się automatycznie po osiągnięciu ustawionego czasu parzenia. Możesz zmienić ilość kawy, dostosowując domyślny czas parzenia do własnych upodobań. Patrz rozdział „Dostosowywanie ilości kawy”.

#### Domyślny czas przygotowania:

##### • Kapsułki

16 sekund dla krótkiej kawy i 25 sekund dla długiej kawy.

##### • Kawa mielona

25 sekund dla krótkiej kawy i 47 sekund dla długiej kawy.

7. Podnieść dźwignię i wyciągnąć adapter, aby włożyć nową kapsułkę do użycia lub zmienić adapter.

#### Uwaga:

Po naciśnięciu przycisku żądanej kawy, być może jego dioda LED będzie najpierw migać przez kilka sekund, a następnie zaczniesz przygotowywać kawę, to coś zupełnie normalnego.



## DOSTOSUJ ILOŚĆ KAWY

- Mieloną ilość można zmienić, dostosowując domyślny czas parzenia do własnych upodobań.

### • Dostosuj objętość dla małej filiżanki

Podstaw filiżankę pod kranik kawy.

Naciśnij i przytrzymaj przycisk małej filiżanki, aż uzyskasz żądaną kawę (min. 10 s, maks. 90 s).



### • Dostosuj głośność dla dużej filiżanki

Podstaw filiżankę pod kranik kawy.

Naciśnij i przytrzymaj przycisk dużej filiżanki, aż uzyskasz żądaną kawę (min. 10 s, maks. 90 s).



## CZYSZCZENIE

- Pamiętaj, aby odłączyć urządzenie przed czyszczeniem.
- Nigdy nie zanurzaj maszyny ani jej części w wodzie, możesz doznać poważnych obrażeń, a nawet śmierci na skutek porażenia prądem!
- Nie używaj silnych środków czyszczących ani rozpuszczalników.
- Nie używaj ostrych przedmiotów ani szczotek, materiałów ściernych ani ostrych.
- Nie myć części w zmywarce.



### Czyszczenie kapsułki i adapterów do kawy

- Opróżnij zbiornik adaptera i umyj go wodą. Dobrze wysusz cały kawałek serwetką lub suchą szmatką.

### Czyszczenie maszyny

- Wytrzyj czystą wilgotną szmatką lub papierem, ponownie zmontuj wszystkie części. Regularnie czyść kranik kawy i strefę zaparzania wilgotną szmatką.



## OPRÓŻNIANIE I CZYSZCZENIE RUR WEWNĘTRZNYCH

- Przed ponownym użyciem maszyny po długich przerwach (np. wakacjach), maszynę należy dobrze wypłukać. Ta krótka procedura służy do dokładnego przedmuchiania i czyszczenia wewnętrznych przewodów.

### Proces

1. Napełnij zbiornik na wodę (patrz „Pierwsze kroki”).



2. Podłącz urządzenie do gniazdka ściennego.



3. Wciśnij przycisk zasilania.



4. Diody LED przycisków zaczną się stabilizować, gdy urządzenie się nagrzej. Czas nagrzewania wynosi około 45 sekund.

Przed naciśnięciem przycisku dużej kawy upewnij się, że:

- Dźwignia komory jest zamknięta i nie zawiera żadnej kapsułki.
- Zbiornik na wodę jest pełny.
- Zbiornik na wodę jest mocno osadzony, w przeciwnym razie woda może wyciekać.



5. Umieść dużą filiżankę (250 ml lub większą) pod dozownikiem.



6. Naciśnij przycisk dużej kawy i poczekaj, aż urządzenie zakończy płukanie.



7. Nie podnosić dźwigni, dopóki proces płukania nie zatrzyma się automatycznie.

## OPRÓŻNIJ EKSPRES DO KAWY

- Jeśli w ekspresie do kawy nie ma przepływu wody, należy opróżnić wewnętrzną pompę wody.
- Ta procedura może być konieczna, jeśli ekspres do kawy nie był używany przez dłuższy czas lub został uruchomiony bez wody w zbiorniku.
- Zaleca się opróżnienie ekspresu przy pierwszym użyciu.
- Aby opróżnić pompę i normalnie korzystać z ekspresu do kawy, wykonaj następujące czynności:

1. Odłącz urządzenie i wyjmij zbiornik na wodę. Wyjmij kapsułki i uchwyty na kapsułki z zaparzacza i opuść dźwignię. Podłącz plastikową złączkę do wlotu wody i wyjmij tłok.

2. Dodaj trochę wody.

3. Podłączyć tłok do złączki pompy i wcisnąć go do końca.

- Woda zawarta w pompie przedostanie się do układu wewnętrznego, powodując eliminację powietrza zawartego w kanałach.
- Podczas tego procesu z kołka znajdującego się w górnej tylnej części urządzenia może wypłynąć trochę wody, użyj szmatki, aby woda nie spadła na stół.
- W razie potrzeby powtórz tę procedurę 2 lub 3 razy.



Woda pitna różni się w zależności od regionu. Cząsteczki wapna z wody pitnej osadzają się jako odpad w maszynie i mogą zablokować rurę i spowodować jej uszkodzenie. Aby tego uniknąć, należy odwapnić urządzenie przynajmniej po zaparzeniu 300 do 400 filiżanek kawy lub, w każdym przypadku, jeśli produkcja znacznie spadnie lub po jednym lub dwóch miesiącach. Odwapnienie należy przeprowadzić prawidłowo, aby uniknąć uszkodzeń.

Dokładnie postępuj zgodnie z poniższymi instrukcjami.

1. Napełnij zbiornik mieszaniną wody i dostępnego w handlu płynu odwapniającego do ekspresów do kawy (zawsze postępuj zgodnie z instrukcjami producenta).
2. Upewnij się, że w urządzeniu nie ma kapsułek.
3. Umieść duży pojemnik pod głowicą dozującą, aby zebrać mieszaninę i pozostałości wapna.
4. Naciśnij przycisk dużego kubka, aby wykonać odwapnienie. Powtarzaj ten proces kilka razy, aż cała woda w zbiorniku zostanie zużyta.
5. Powtórz proces, aby przepłukać obwód wewnętrzny zbiornikiem czystej wody (bez płynu odwapniającego), aby całkowicie oczyścić obwód wewnętrzny i zapewnić dobry smak napojów.

**Ważny:**

- Zachowaj szczególną ostrożność w przypadku gorącej wody!
- Nigdy nie czyść urządzenia octem. Spowoduje to uszkodzenie urządzenia i pogorszy smak napojów.
- Uszkodzenia spowodowane nieprawidłowym odkamienianiem lub brakiem odwapnienia nie są objęte gwarancją.

**OSTRZEŻENIA DOTYCZĄCE BEZPIECZEŃSTWA**



Nie moczyć urządzenia ani nie wkładać go do wody.



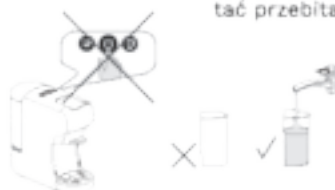
Nie podnoś dźwigni podczas korzystania z zaparzacza.



Nie dotykaj górnej części adaptera podczas wyjmowania go z komory, ponieważ jest bardzo gorący i może spowodować oparzenia.



Na górze adaptera kapsułki znajduje się ostra igła. Nie umieszczaj dłoni pod nią ani w jej pobliżu, ponieważ może zostać przebita.



Nie włączaj ani nie używaj urządzenia, jeśli w zbiorniku nie ma wody.

## ROZWIĄZYWANIE PROBLEMÓW

PROBLEM	PRZYCZYNA	ROZWIĄZANIE
Nie wypływa kawa.	Zbiornik na wodę jest pusty.	Napełnij zbiornik na wodę.
Kawa nie jest wystarczająco gorąca.	Maszyna jest zimna.	Poczekaj wskazany czas na ogrzewanie.
	Osadzanie się kamienia.	Wykonaj odkamienianie.
Jest rozlana woda.	Zbiornik na wodę przecieka.	Sprawdź, czy zawór zbiornika nie jest zablokowany.
	Dolna taca ociekowa jest pełna wody.	Opróżnij tacę ociekową.
Nie można zamknąć dźwigni.	Adapter kapsułki / kawy nie jest prawidłowo osadzony.	Sprawdź i umieść adapter prawidłowo.
	Nie przepelniaj adaptera do kawy mielonej, zbyt mocne wciśnięcie dźwigni przez nadmiar kawy może się złamać.	Napełnij i lekko naciśnij kawę, nie przelewa się ani nie jest zbyt zwarta.



Zgodnie z dyrektywami 2012/19 / UE i 2015/863 / UE w sprawie ograniczenia stosowania niebezpiecznych substancji w sprzęcie elektrycznym i elektronicznym, w celu ich oszczędzenia. Symbol z przekreślonym pojemnikiem na śmieci pokazuje na opakowaniu oznacza, że produkt po zakończeniu użytkowania będzie zliczony jako osobny odpad. Dlatego każdy produkt, który osiągnął koniec okresu użytkowania, musi zostać dostarczony do wyspecjalizowanych centrów usuwania odpadów w celu selektywnej zbiórki z recyklingu sprzętu elektrycznego i elektronicznego lub oddany do spraczkowni przy zakupie podobnego nowego sprzętu, w jednym zle jedyną bazy. Właściciel selektywne zbiórki w celu późniejszego uruchomienia sprzętu przeznaczonego do recyklingu, obróbki i utylizacji w sposób przyjazny dla środowiska pomoże zapobiec potencjalnym negatywnym skutkom dla środowiska i zdrowia oraz optymalizuje recyklingi ponowne użycie elementów składających się na urządzenie. Nawet jeśli usuniesz produkt przez użytkownika oznacza nieobowiązkową składkę administracyjnych zgodnie z prawem.





# CREATE

The life you want to live in