

# STORE CABINET

## ASSEMBLY INSTRUCTIONS

Thank you for choosing to purchase from Piranha Furniture. We trust everything is as expected, however if there are **ANY** issues at all or you have further questions, please don't hesitate to email us and we will resolve the matter as quickly as possible:

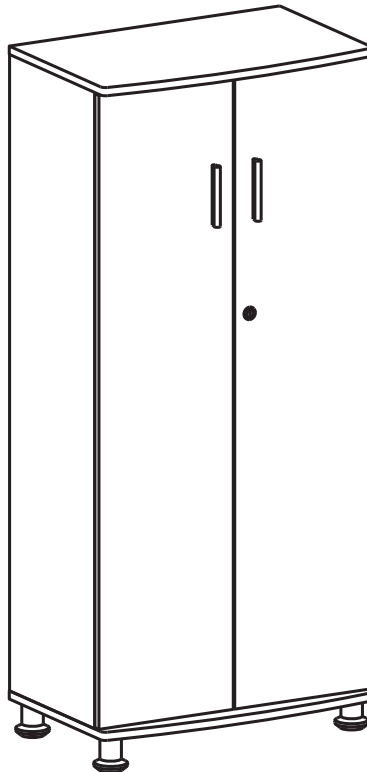
**United Kingdom:** [sales@piranhafurniture.com](mailto:sales@piranhafurniture.com)

**Rest of EU:** [info@piranhaeurope.com](mailto:info@piranhaeurope.com)

You can contact us through our website [www.piranhafurniture.com](http://www.piranhafurniture.com) where you will also find our full range of products.

**Please read the assembly instructions carefully before the installation**

**Retain all packaging as, if required, goods must be returned packed in the original cartons.**



**TWO PEOPLE REQUIRED**

**MODEL PC6**

**General Care:**

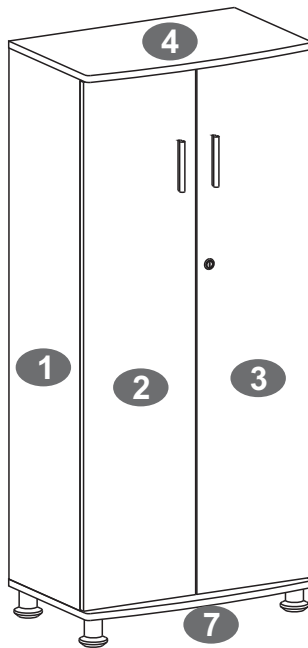
Keep furniture out of direct sunlight. Use mats and coasters to protect surfaces.  
Do not place hot or wet items directly onto unprotected surfaces.

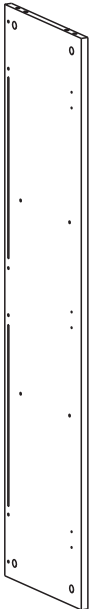

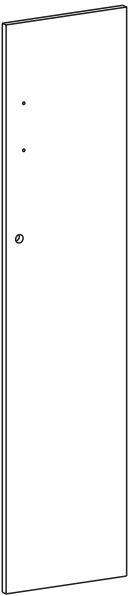



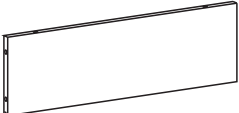
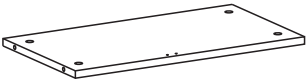
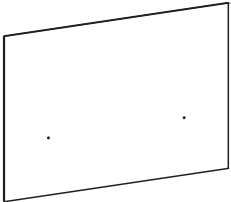
**Cleaning:**

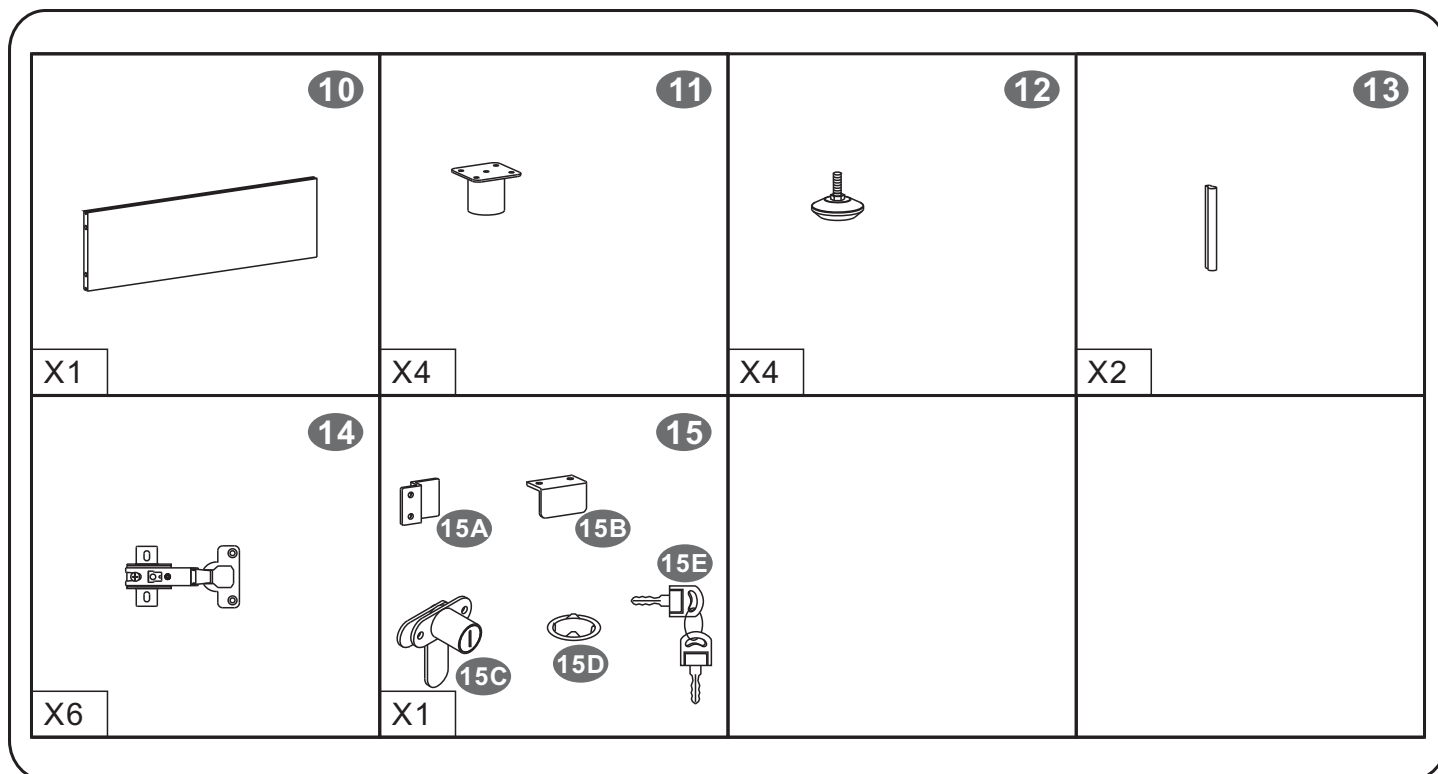
Wipe surfaces with a clean damp (not wet) cloth then dry with a clean lint free cotton cloth.  
Glass surfaces may be polished with window or other glass cleaning liquids.



■PARTS LIST



 <p>1</p> <p>X2</p>	 <p>2</p> <p>X1</p>	 <p>3</p> <p>X1</p>	 <p>4</p> <p>X1</p>
 <p>6</p> <p>X1</p>	 <p>7</p> <p>X1</p>	 <p>8</p> <p>X2</p>	 <p>5</p> <p>X1</p>  <p>9</p> <p>X2</p>

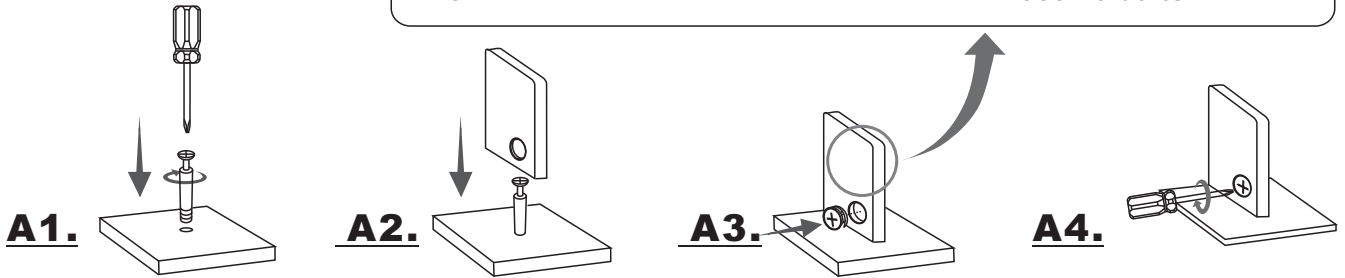
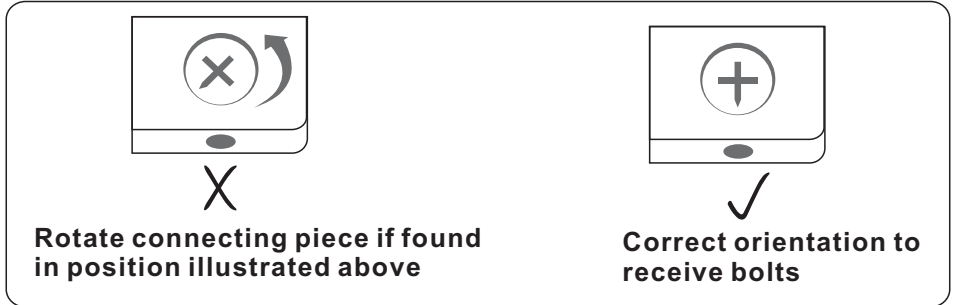
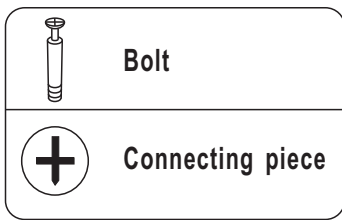


▪SCREWS LIST

PART	QTY.	ITEM	
<b>A</b>	32	6X40 MM	
<b>B</b>	4	4X20 MM	
<b>C</b>	24	4X16 MM	
<b>D</b>	20	4X14 MM	
<b>E</b>	6	3X15 MM	

PART	QTY.	ITEM	
<b>F</b>	2		
<b>G</b>	8	8X30 MM	
<b>H</b>	32	Φ 15 MM	
	1		
	1		

6X40MM BOLT INSTALLATION AS BELOW:



ASSEMBLY STEPS:

**1**

11 X4

12 X4

11 X4

**SCREWS**

- D** 4X14 MM 16PCS

**2**

8

10

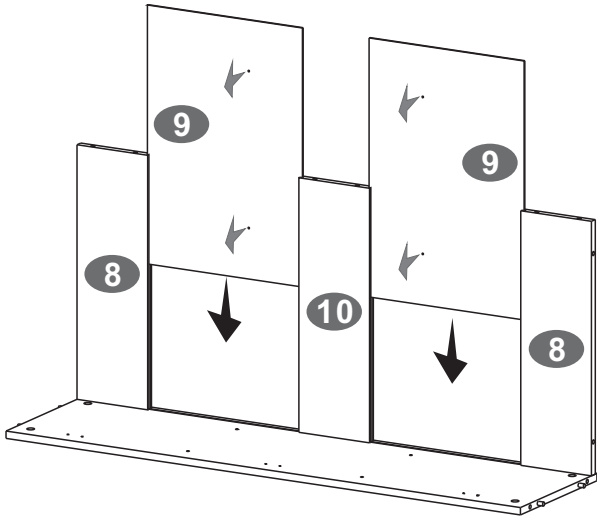
8

1

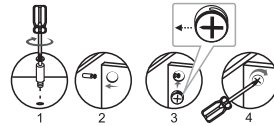
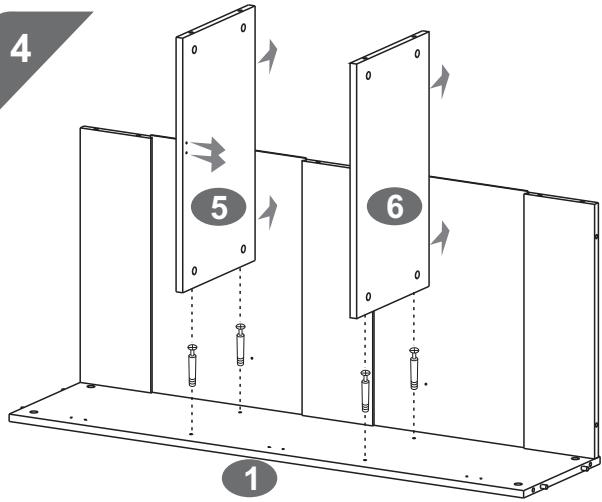
**SCREWS**

- A** 6X40 MM 6PCS
- H**  $\Phi$  15 MM 6PCS
- G** 8X30 MM 4PCS

3



4



■ SCREWS

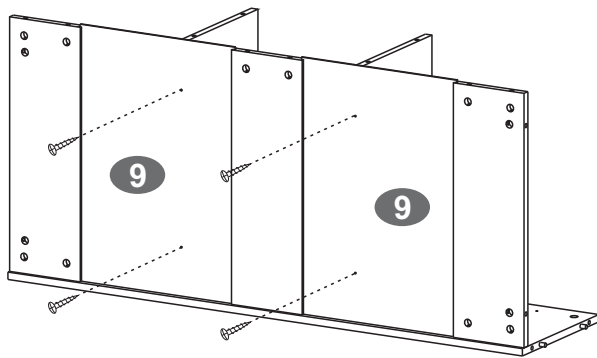
**A** 6X40 MM

4PCS

**H**  $\Phi$  15 MM

4PCS

5

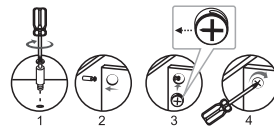
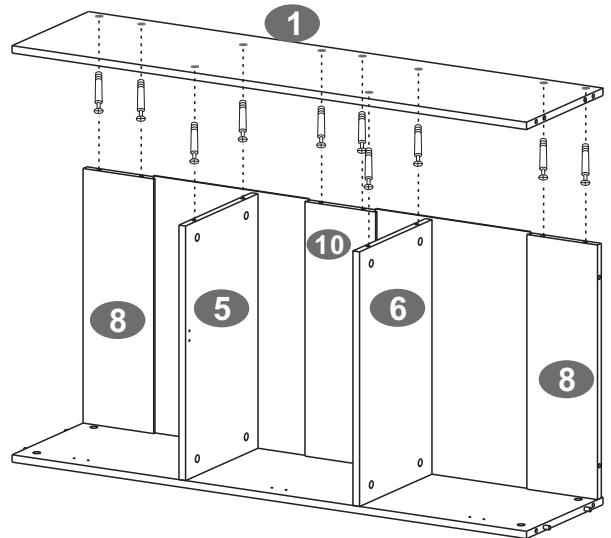


■ SCREWS

**D** 4X14 MM

4PCS

6



■ SCREWS

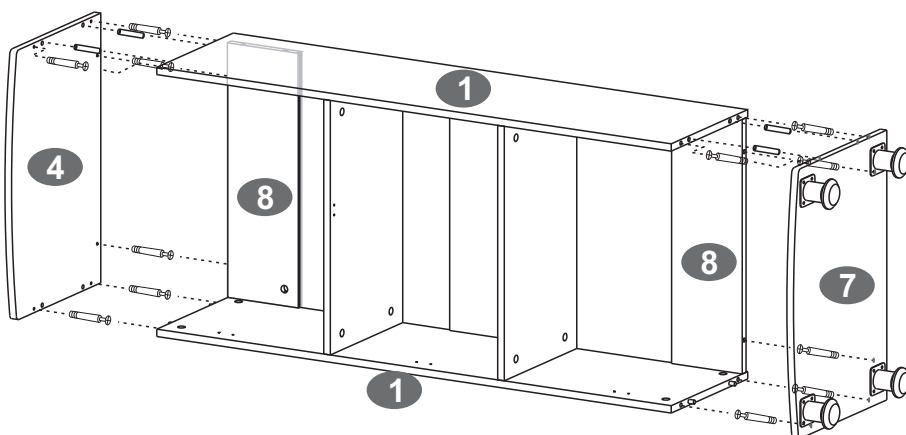
**A** 6X40 MM

10PCS

**H**  $\Phi$  15 MM

10PCS

7



■ SCREWS

**A** 6X40 MM

12PCS

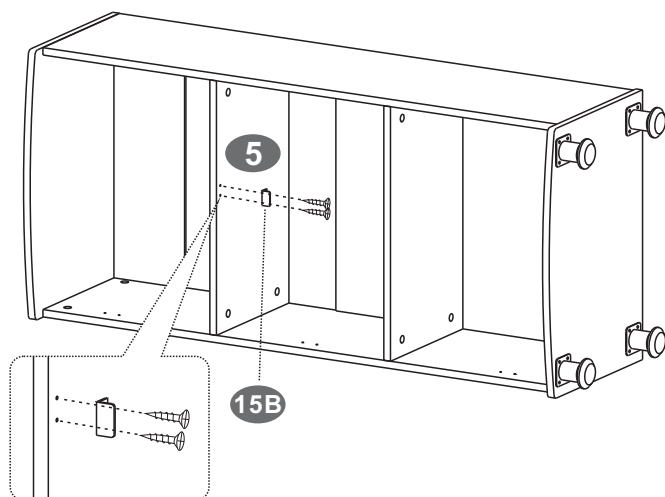
**H**  $\Phi$  15 MM

12PCS

**G** 8X30 MM

4PCS

8

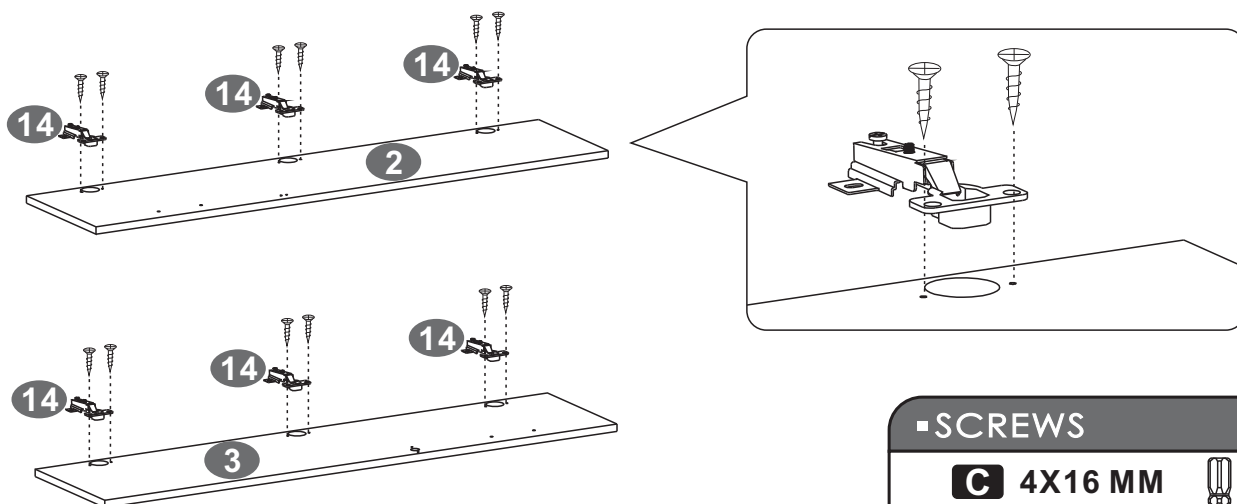


■ SCREWS

**E** 3X15 MM

2PCS

9

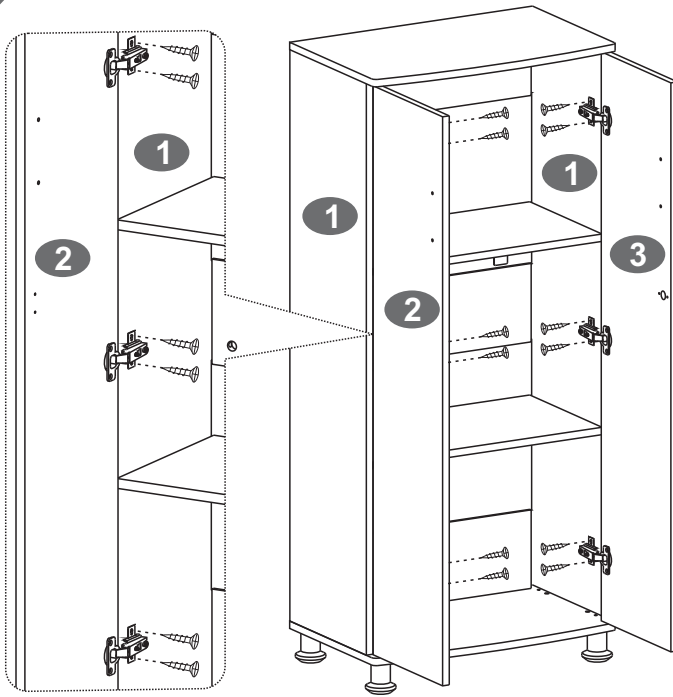


■ SCREWS



**C** 4X16 MM

12PCS

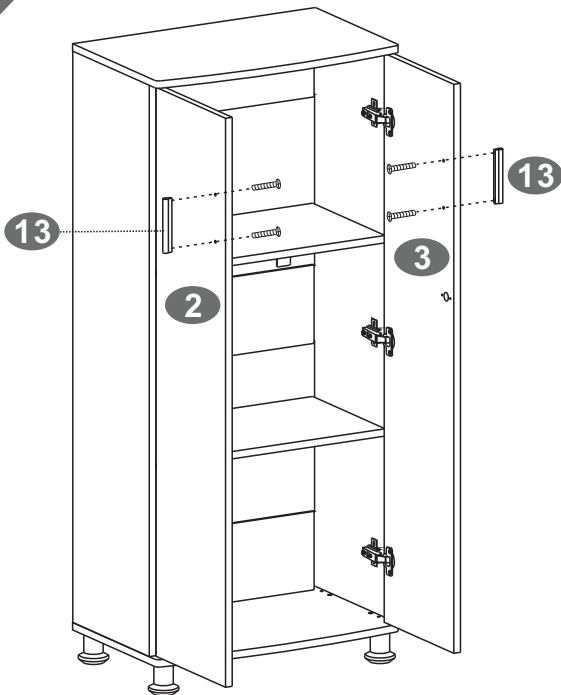
10





■ SCREWS

**C** 4X16 MM  12PCS 

11

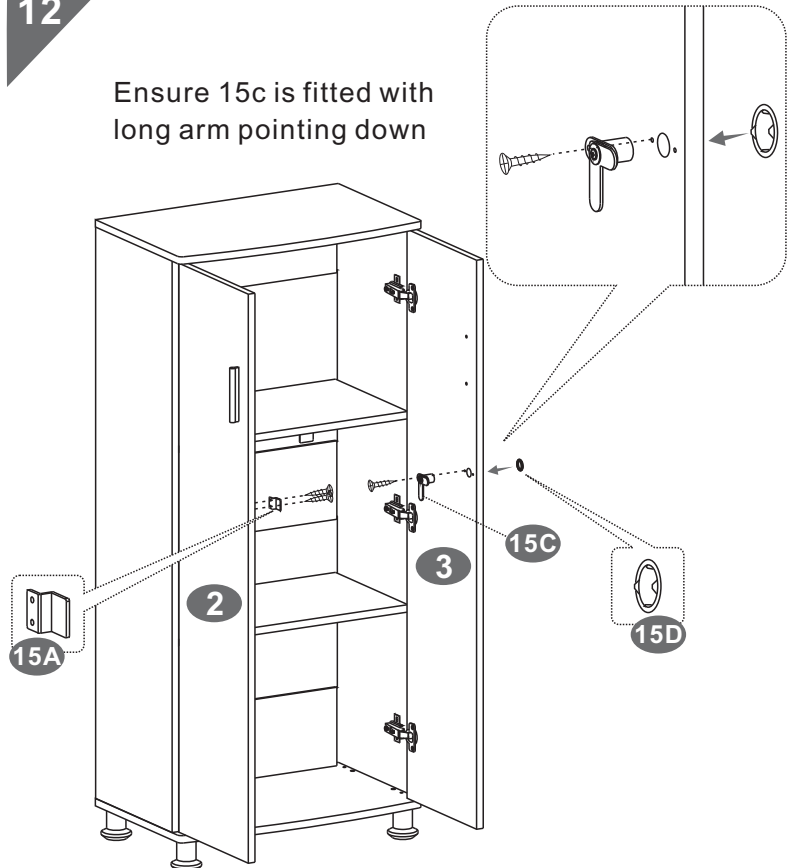


■ SCREWS

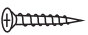

**B** 4X20 MM  4PCS 

12

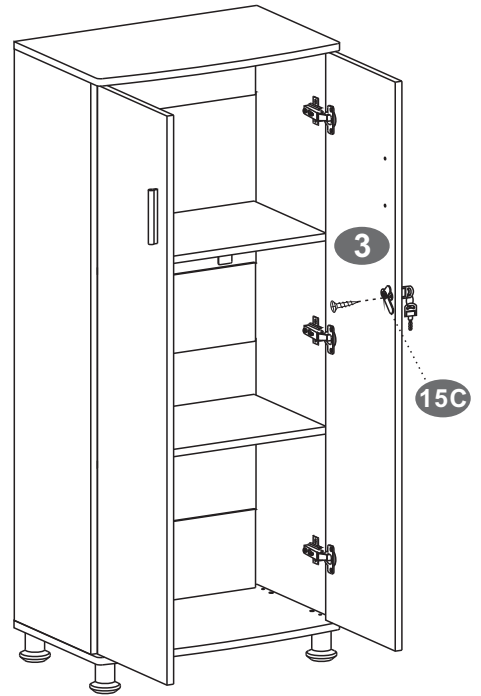
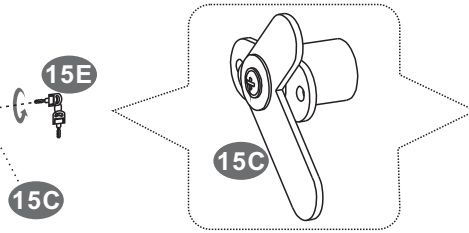
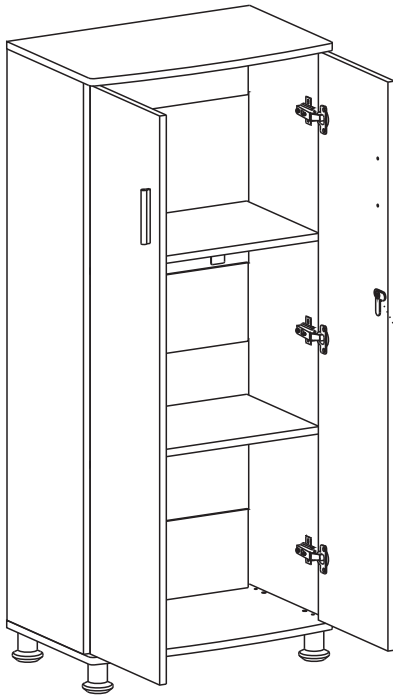
Ensure 15c is fitted with long arm pointing down



■ SCREWS

**E** 3X15 MM  3PCS 

13



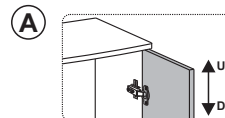
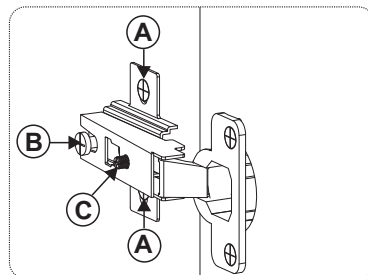
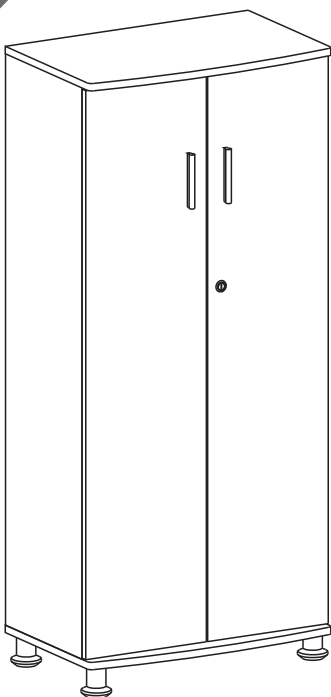
SCREWS

**E** 3X15 MM

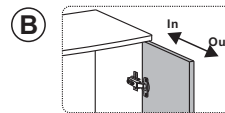
1PC



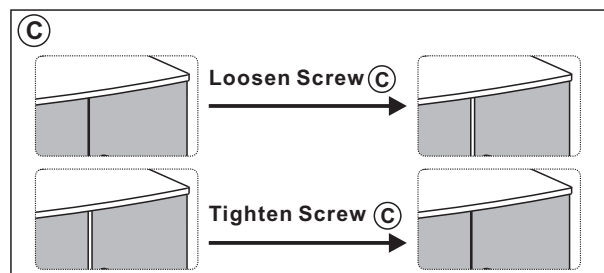
14



loosen screws A, adjust location of Screw A to move up and down of door



Tighten/loosen Screw B to adjust the gap between door and cabinet side panel



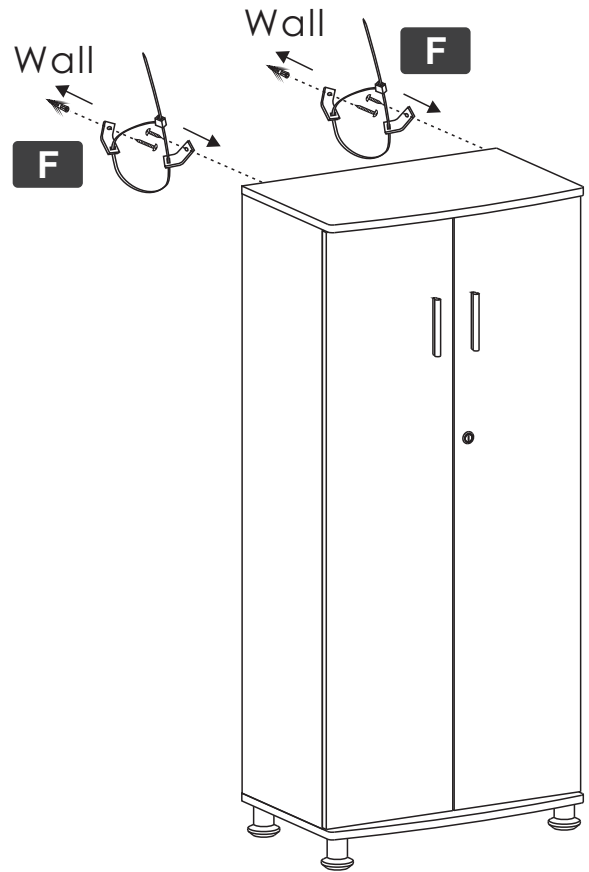
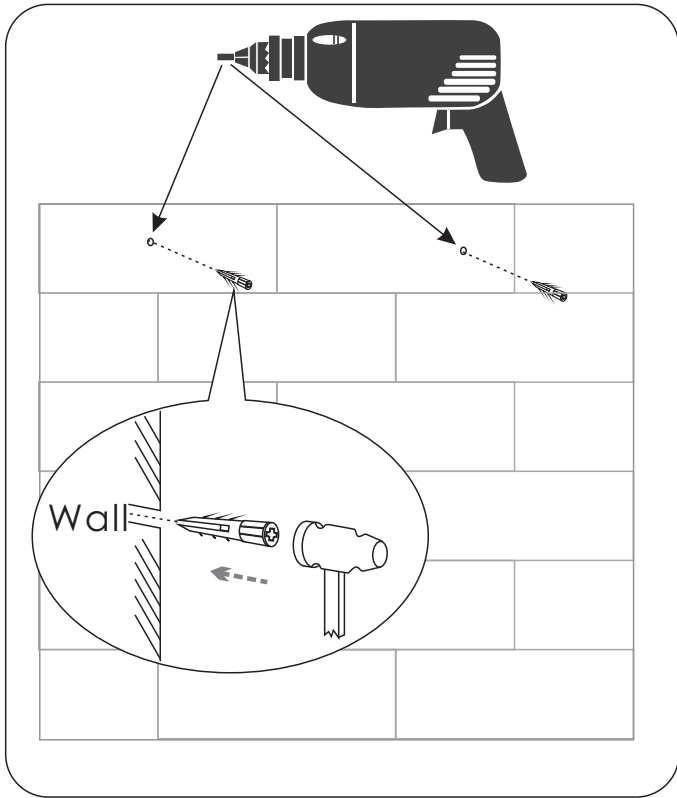
Tighten/loosen Screw C to adjust the gap between 2 doors





15

RECOMMENDED STEP TO SECURE POSITION OF FURNITURE



16

