

NEXT BASE

iN-CAR CAM™

Instruction Manual



101

GO

High Definition Car DVR

TABLE OF CONTENTS

PRECAUTIONS	02
PRODUCT SPECIFICATION	03
PACKAGE CONTENTS	04
PRODUCT FEATURES	05
PARTS AND CONTROLS	06
INSTALLATION	08
INSTALLATION NOTES	09
VIDEO MODE	10
VIDEO MODE SETTINGS	11
PHOTO MODE	12
PHOTO MODE SETTINGS	13
PLAYBACK MODE - VIDEO FILES	14
PLAYBACK MODE - PHOTO FILES	15
SETUP MENU	16
PC CONNECTION	18
AUDIO / VIDEO OUTPUT	18
TROUBLING SHOOTING	19

PRECAUTIONS

Please read this manual carefully before operation and keep it for future reference. It will be useful should you encounter any operational problem.

WARNING: Do not expose this product to rain, moisture or water under any circumstances, doing so may result in the risk of electric shock or fire.

CAUTION: To reduce the risk of electric shock, do not perform servicing other than that contained in the instruction manual unless you are qualified to do so.

Have the unit serviced by a qualified service technician if;

The unit has been exposed to rain or water.

The unit does not seem to operate normally.

The unit exhibits a marked change in performance.

LCD: A Liquid Crystal Display (LCD) screen is a multilayer complex component, containing 691,200 pixels.

Pixels can however fail during normal product life. 1 pixel = 0.00014% failure rate, and one pixel failure per year of operation is considered normal and not a cause for concern.

WEEE: **Disposal of Waste Electrical and Electronic Equipment and/or Battery by users in private households in the European Union.**



This symbol on the product or on the packaging indicates that this product can not be disposed of as household waste. You must dispose of your waste equipment and/or battery by handing it over to the applicable take-back scheme for the recycling of electronic equipment and/or battery. For more information please contact your local household waste disposal office.

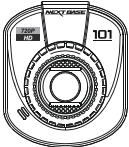
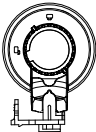
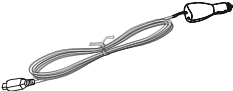



DO NOT ATTEMPT TO SERVICE THE UNIT BY YOURSELF!

PRODUCT SPECIFICATION

Model Number / Name	NBDVR101 / NEXTBASE IN-CAR CAM 101 Go
Power Requirements	5V / 150mA
Power Supply	12-24Vdc Car Power Cable (supplied) Fuse Type: 20mm Glass Fast Blow 2A
Sensor Resolution	1M Pixel (1,000,000 Pixel)
Lens Type / Angle / Aperature	4G / 120° / F2.0
Recording Resolution (Default)	1280 x 720 @ 30fps
Recording Format	AVI
Screen Size / Ratio	2.0" / 4:3
Screen Resolution	960 (W) X 240 (H) pixels x RGB
Card Reader	MicroSD SDHC, Class 6-10, <=32GB
SD Card (Recommended Type)	8-32GB Class 10 (30mb/s) branded (not supplied)
SD Card Recorded File Capacity (based on default settings)	8GB = 40mins of recording 16GB = 80mins of recording 32GB = 160mins of recording
Recommended PC playback software	VLC Media Player (free download from www.videolan.org/vlc/)
Video Out	2.5mm Jack (Video / Audio), cable NOT supplied.
Internal Battery	Lithium-ion 3.7V / 140mAh The battery is designed to allow the iN-CAR CAM to function for approx. 15mins (recording time) in the event of power loss within the vehicle. It is not intended as an alternative power source to replace the supplied car adaptor.
Unit Dimensions / Weight	68.1 x 57.7 x 37.4mm / 56g

PACKAGE CONTENTS

After unpacking please check the contents of your iN-CAR CAM product package, as listed below.

<p>iN-CAR CAM</p>  A circular camera lens with a black frame. The frame has 'NEXT BASE' at the top, '720P HD' on the left, and '101' on the right. A small lens is visible in the center.	<p>Mount</p>  A circular metal mounting bracket with a central hole and a locking mechanism on the side.
<p>Car Power Cable</p>  A long, thin cable with a cigarette lighter plug on one end and a standard car cigarette lighter plug on the other.	<p>USB Cable</p>  A cable with a USB-A connector on one end and a USB-C connector on the other.
<p>Quick Start Guide</p>  A small booklet with a blue cover. The cover features the 'NEXT BASE' logo and an image of the camera.	<p>Instruction Manual</p>  A booklet with a white cover. The cover features the 'NEXT BASE' logo, 'iN-CAR' text, and 'Instruction Manual' text. There is also a small image of the camera.

The actual products might appear slightly different from the pictures shown above.

PRODUCT FEATURES

Thank you for purchasing this NEXTBASE iN-CAR CAM product, in this section we will outline some of the features available with this device.

2" 4:3 LCD Colour Screen

Large screen for ease of use and viewing the playback of both videos and photos.

1.0M PIXEL CMOS Sensor

Provides high quality recording up to 1280 x 720 HD.

120° Wide Angle Lens

Wide angle lens to allow best possible recording of the vista ahead.

G Sensor / File Protection

In the event of an impact the device will automatically 'protect' the recording, stopping the file from being over-written.

Video files can also be 'protected' when viewed within playback mode.

'One-Touch' File Protection

A dedicated button which can be pressed in event of an emergency situation to protect the current recording.

Still Camera

Take still images to keep photographic record of an incident.

Built-in Microphone & Speaker

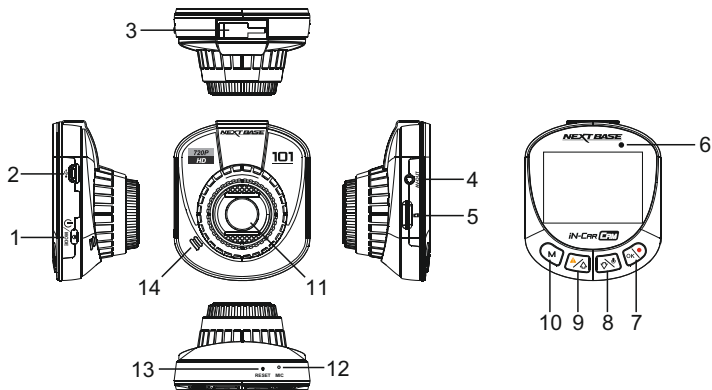
Record audio to compliment the video recordings.

PC Compatible

Device can be used as Card Reader once connected to your PC using the supplied USB cable.

Internal Battery

The Lithium Polymer battery allows the iN-CAR CAM to be used in event of the vehicle losing power.

PARTS AND CONTROLS**1. POWER / MODE****POWER:**

Press and hold for 2 seconds to turn On / Off the iN-CAR CAM.

MODE:

Press to select Video, Photo or Playback mode.

2. MINI USB 2.0 SOCKET

Connect the supplied car power cable here.

Also used for connection to a PC using the supplied Mini-USB cable.

3. MOUNTING POINT

Attached supplied mount here.

4. AV OUT SOCKET

For use with AV Cable (sold separately).

5. MEMORY CARD SLOT

Insert MicroSD card here.

Compatible with SDHC <=32GB, Class 6-10.

6. DUAL COLOUR LED INDICATOR

RED = Power On

RED Flashing = Recording

BLUE = Battery Charging

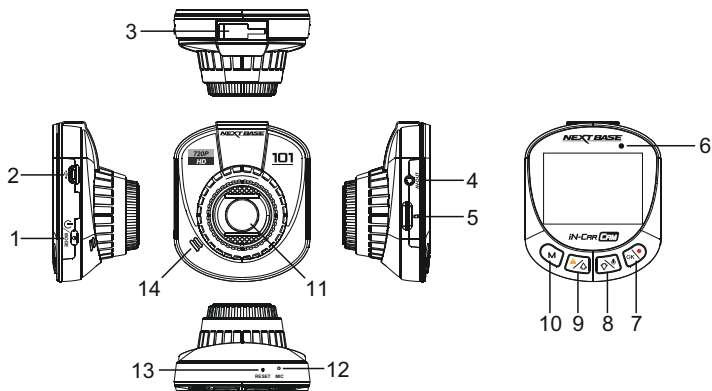
7. RECORD / OK**RECORD:**

Press to start / stop a recording when in Video Mode or take a photo when in Photo Mode.

OK:

Press to confirm selection when in menus.

PARTS AND CONTROLS (CONTD.)



8. MICROPHONE / DOWN

MICROPHONE:

Press whilst recording to turn off audio recording, press again to turn back on.

DOWN:

Press to navigate down within menus.

9. FILE PROTECT / UP

FILE PROTECT:

Press whilst recording to protect the current file in event of an emergency situation.

UP:

Press to navigate up within menus.

10. MENU / SCREEN SAVER

MENU:

Press to open the Menu within current mode, press twice to open the Setup menu.

Note: Menus are not available whilst recording.

10. MENU / SCREEN SAVER (contd.)

SCREEN SAVER:

Press and hold for 2 seconds whilst recording to turn on the screen saver function. Press any button to re-activate screen.

11. LENS

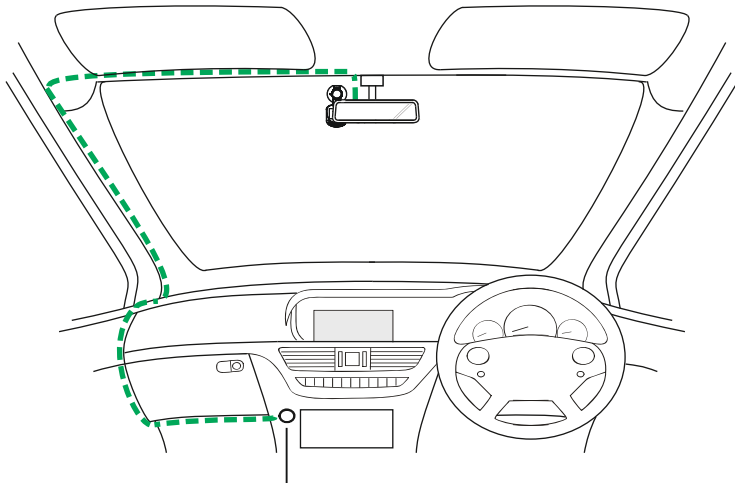
12. MICROPHONE


Turn on / off the microphone within Setup menu to enable / disable audio recording.

13. RESET

Press to reset the iN-CAR CAM.

14. SPEAKER

INSTALLATION

 12-24V DC

The above diagram is for illustration purposes only.

1. Insert a suitable MicroSD card (Class 6 or higher), taking care that the gold contacts are facing the screen. Push the memory card until it clicks into place.
2. Attach the device to the supplied mount, taking care the locking tab has 'clicked' firmly into place.
3. Remove the protective plastic film from the suction pad. Select a suitable position for the mount and clean windscreen with a dry / clean cloth to achieve good contact between the glass and mount, whilst pushing the suction cup onto the glass turn the locking wheel clockwise to secure the mount to the windscreen.
Please ensure that once mounted the iN-CAR CAM is located within the area of the vehicles windscreen wipers to maintain a clear view during rainfall.
4. Connect the supplied car adaptor to the iN-CAR CAM and then plug the car adaptor into the 12-24Vdc outlet of your vehicle. The device will automatically power on and start recording once power is available.
In some vehicles this will be when connections are made, for others the device will power on once the ignition has been turned on.

INSTALLATION NOTES

Please read and follow the notes below for safe operation of your iN-CAR CAM within your vehicle.

As per the supplied installation instructions, it is advised to install the iN-CAR CAM so it does NOT obstruct the drivers view of the road, preferably on the passenger side of the vehicle and behind the rear view mirror. Whilst the iN-CAR CAM clearly needs to view through the windscreen in an area swept by the windscreen wipers, the iN-CAR CAM should be installed so as not to intrude significantly within the wiped area. A 40mm intrusion into the wiped area is the maximum recommended.



Do NOT mount the iN-CAR CAM in front of the driver, as depicted by the red area in the above illustration.

When installing the iN-CAR CAM in a vehicle, always place the device securely against the windscreen and where possible conceal the power cable under trim. Make sure that the iN-CAR CAM power cable does not interfere with the drivers operating controls, such as the steering wheel, pedals or gear levers.

Do NOT mount the iN-CAR CAM in front of an airbag field of deployment or in a position to obscure any mirrors.

Clean the windscreen at the point of location, prior to fitting the iN-CAR CAM, also, applying some moisture to the suction cup may be beneficial, to ensure absolute adhesion.

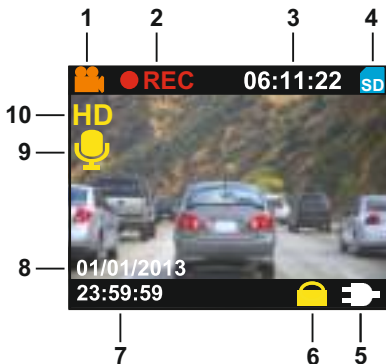
It is recommended NOT to operate the iN-CAR CAM whilst driving. The automatic Start-Stop technology incorporated within the device negates any need to operate the controls whilst driving.

Adjust any settings or review recordings whilst stationary, not whilst driving.

After the preliminary SETUP has been carried out upon the iN-CAR CAM, adjust the Screen Saver setting to 10 Seconds, this will blank the screen automatically shortly after starting the vehicle and the screen will NOT be a distraction in any way to the driver.

VIDEO MODE

The key below explains the various information displayed on the screen when your iN-CAR CAM is in Video mode, some icons will only be displayed once the relevant function has been selected within the Video menu, as described further down this page.



1. Video Mode Icon: Indicates the iN-CAR CAM is in Video mode.
2. Recording Indicator: Shown on screen when a recording is in progress.
3. Recording Time: Displays the length of current recording.
4. Memory Card Icon: Shown on screen when a memory card is present.
5. Power Source Indicator: Displays whether the iN-CAR CAM is powered via the car adaptor (as illustrated above) or the internal battery.
6. Protected File Icon: Displayed when a video file has been protected by activation of the internal G Sensor or the SOS button on the iN-CAR CAM.
7. Time: Displays the current time.
8. Date: Displays the current date.
9. Audio Recording Icon: Shown on screen when Audio Recording is on, when off the icon will remain on screen but be marked red.
10. Resolution: Displays the current video recording resolution.

VIDEO MODE SETTINGS

To access the Video Mode settings press the MENU (M) button, use the up and down buttons to select the required option and press OK to view available settings.

The default settings within the iN-CAR CAM have been set to allow you to use the iN-CAR CAM without the need to change any of the settings, however it is recommended that you explore these settings to familiarise yourself with the product and it's capabilities.

To change a setting select chosen option using the up and down buttons and press the OK button to confirm.

1. Resolution

Select the recording resolution, this will increase or decrease the quality and file size of the recorded video.

Options: 1280 x 720 or 640 x 390

Default Setting: 1280 x 720

2. Date & Time Stamp

Turn Off / On the date and time stamp shown on recorded files.

Options: On or Off

Default Setting: On

3. Audio Record

Turn On / Off the iN-CAR CAM microphone.

Options: On or Off

Default Setting: On

4. Loop Recording

Select the duration of recording length for the individual video files. The iN-CAR CAM will fill the memory card and then loop back to the beginning, overwriting the earliest saved files (unless files are protected).

Options: 2 Minutes, 3 Minutes or 5 Minutes

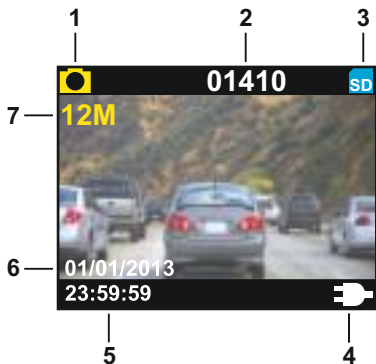
Default Setting: 3 Minutes

NOTE:

The video mode menu is not available whilst a recording is in progress.

PHOTO MODE

The key below explains the various information displayed on the screen when your iN-CAR CAM is in Photo mode, some icons will only be displayed once the relevant function has been selected within the Photo menu, as described further down this page.



1. Photo Mode Icon: Indicates the iN-CAR CAM is in Photo mode.
2. Image Count: Displays number of images that can be stored on the memory card based on current resolution setting.
3. Memory Card Icon: Shown on screen when a memory card is present.
4. Power Source Indicator: Displays whether the iN-CAR CAM is powered via the car adaptor (as illustrated above) or the internal battery.
5. Time: Displays the current time.
6. Date: Displays the current date.
7. Resolution: Displays the image size.

PHOTO MODE SETTINGS

To access the Photo Mode settings press the MENU (M) button, use the up and down buttons to select the required option and press OK to view available settings.

To change a setting select chosen option using the up and down buttons and press the OK button to confirm.

1. Resolution

Select the image resolution, this will increase or decrease the quality and file size of the image.

Options: 4032 x 3024 or 2560 x 1920

Default Setting: 4032 x 3024

2. Date & Time Stamp

Turn On / Off the date and time stamp shown on recorded files.

Options: On or Off

Default Setting: On

PLAYBACK MODE - VIDEO FILES

The key below explains the information displayed on the iN-CAR CAM screen when a video is viewed within Playback Mode.



1. Video Icon: Indicates the iN-CAR CAM is viewing a video file.
2. Recording Time: Displays the duration of the recorded file.
3. Memory Card Icon: Shown on screen when a memory card is present.
4. Power Source Indicator: Displays whether the iN-CAR CAM is powered via the car adaptor (as illustrated above) or the internal battery.
5. Protected File Icon: Displayed when a video file has been protected by activation of the internal G Sensor or the SOS button on the iN-CAR CAM.
6. File Number: Displays the current file number.
7. Control Icon: Press the '●' button to play and pause the current file. Use the up and down to select file.
8. Resolution: Displays the resolution of the current file.

To access the Playback Mode settings press the MENU (M) button, use the up and down buttons to select the required option and press OK to view available settings.

To change a setting select chosen option using the up and down buttons and press the OK button to confirm.

1. Delete

Delete the current file, also available is the option of deleting all files.

2. Protect File

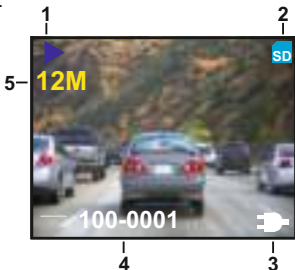
Used to lock or unlock the current file.

3. Thumbnails

When selected this will display stored files as thumbnails, use the up and down buttons to select file and press OK to open.

PLAYBACK MODE - PHOTO FILES

The key below explains the information displayed on the iN-CAR CAM screen when a photo is viewed within Playback Mode.



1. Photo Icon: Indicates the iN-CAR CAM is viewing a photo file.
2. Memory Card Icon: Shown on screen when a memory card is present.
3. Power Source Indicator: Displays whether the iN-CAR CAM is powered via the car adaptor (as illustrated above) or the internal battery.
4. File Number: Displays the current file number.
5. Resolution: Displays the resolution of the current file.

To access the Playback Mode settings press the MENU (M) button, use the up and down buttons to select the required option and press OK to view available settings.

To change a setting select chosen option using the up and down buttons and press the OK button to confirm.

1. Delete

Used to delete either the current file, also available is the option of deleting all files.

2. Thumbnails

When selected this will display stored files as thumbnails, use the up and down buttons to select file and press OK to open.

NOTE:

Protect option is only available for video files.

SETUP MENU

There is a Setup menu for the general settings, press the MENU (M) button twice on the rear of the device to access the menu. The options and settings available are described below.

To change a setting select chosen option using the up and down buttons and press the OK button to confirm.

1. Language

Set the language on the iN-CAR CAM as required.

Options: English, Español and Deutsch.

Default Setting: English

2. Date & Time

Set the date & time on the iN-CAR CAM. Use the up and down buttons to change variable and press the OK button to save the change and move to the next variable.

3. Format SD Card

Format the memory card, this will delete all content.

4. Exposure

Adjust the amount of light received by the sensor.

Settings: +3, +2, +1, 0, -1, -2 or -3

Default: 0

5. Screen Saver

Turn on the Screen Saver function, this will cause the screen to turn off after a period of inactivity.

Options: Off, 10 Seconds, 30 Seconds or 2 Minutes

Default Setting: Off

NOTE:

After the preliminary SETUP has been carried out upon the iN-CAR CAM, change the Screen Saver setting to 10 Seconds, this will blank the screen automatically shortly after starting the vehicle and the screen will NOT be a distraction in any way to the driver.

SETUP MENU (CONTD.)

6. G Sensor

Adjust the sensitivity of the G Sensor, it is the G Sensor that detects forces which will automatically protect the current recording in event of a collision.

Settings: Off, Low, Medium or High
Default: Medium

7. TV Frequency

Set the audio / video frequency output format for your television set.

Settings: 50Hz or 60Hz
Default: 50Hz

8. TV Mode

Set the audio / video output format for your television set.

Settings: PAL or NTSC
Default: PAL

9. Default Settings

Reset the iN-CAR CAM to the default settings.

10. Version

Displays the firmware version of your iN-CAR CAM.

PC CONNECTION

Connecting the iN-CAR CAM to a Windows based PC using the supplied USB Cable will open the PC connection options screen on the iN-CAR CAM displaying the three available options: Mass Storage / PC Camera / Charge

Use the up and down buttons to select required function and press OK to confirm selection.

Mass Storage

If Mass Storage is selected, the iN-CAR CAM screen will show the words 'Mass Storage' and take the function of a card reader for your PC. Upon your PC an extra drive will appear (e.g. Drive E:) and you will be able to navigate through the MicroSD Card and view / manage the stored files. This feature is useful if you do not have an SD Card reader built in to your PC.

Charge

If Charge is selected, the internal battery on the iN-CAR CAM will be charge, whilst all functions remain available. Full charge will take approximately 2 hours.

NOTE:

The PC Connection functions described above are compatible with Windows XP, Vista, Windows 7, Windows 8 and Mac operating systems.

AUDIO / VIDEO OUTPUT

As you connect an AV Cable (sold separately) between the iN-CAR CAM and your television, the iN-CAR CAM screen will blank, as all output is now visible upon your television. All elements of the Video, Photo and Playback are available via the AV output so you can monitor your recordings upon a larger screen instantly (useful for when using your iN-CAR CAM as a rear facing camera while connected to another device for viewing).

The controls upon the iN-CAR CAM operate normally during AV output.

Please contact your local NEXBASE dealer for accessory purchases.

TROUBLE SHOOTING

The mount will not stay in place upon my windscreen.	Make sure the protective plastic film has been removed from the sucker. Affix to the glass firmly and then rotate the dial clockwise, until the latch is felt to engage. Make sure that the glass is smooth and clean. Do not stick to glass that has any non-smooth effect or paint whatsoever.
The iN-CAR CAM will not power up when the car adaptor is connected.	Check power is available to the car adaptor. Check that the car adaptor LED indicator is illuminated (red), if not then inspect the car adaptor fuse. Replacement 2A 20mm fuses are available from your local Nextbase dealer.
Video Image is blurred.	Remove the protective lens cover, clean the lens. Clean the windscreen!
Video recording is jumpy.	Remove the SD card and reformat to remove non-contiguous files. For best recording use a branded class 10 type (30MB/s) MicroSD card of 8 to 32GB recommended size. Recommended video playback software is VLC media player, available from: www.videolan.org/vlc . Your computer may not be sufficient for the playback task, try an alternative PC.
Video has no sound.	Ensure that "Record Audio" setting is turned ON within the Video Menu. Take care not to inadvertently turn off the microphone with the iN-CAR CAM control buttons.
Photograph is blurred.	Hold the camera still whilst taking the photo.
Playback of Video can not be stopped during playback.	This is normal, playback can be paused. Then use the up and down buttons to select another file.
I can only record a few minutes of video on my memory card.	Change the recording size (Loop recording function) to a smaller size. Increase the size of the SD card. Max 32GB.

TROUBLE SHOOTING (CONTD)

The AV Out from my iN-CAR CAM just buzzes on my TV.	Ensure that the AV cable is correct. Use a stereo 2.5mm jack plug where the tip is the video and the ring is the audio signal.
I get the message "Card Error" on screen.	The SD card has become unuseable by the iN-CAR CAM. Remove useful files using your PC and then perform a "FORMAT" upon the SD card from within the SETUP menu.
I get the message "Memory Error" on screen.	The SD card has become unuseable by the iN-CAR CAM. Remove useful files using your PC and then perform a "FORMAT" upon the SD card from within the SETUP menu.
My iN-CAR CAM shuts down by itself after a while.	Check the supplied car adaptor is functioning correctly. If the iN-CAR CAM is being powered from the battery then connect power source. i.e. the car adaptor or USB cable.
The SD card in my iN-CAR CAM can not be read.	Use a good quality branded SD card between 4GB and 32GB (suggested) and format the card from with in the SETUP menu of the iN-CAR CAM.
The screen blanks after a few minutes upon my iN-CAR CAM.	The screen saver is set to ON. Change settings to OFF if required. Default setting is off.
I get the message "Cluster Wrong" on screen.	The SD card has been formatted in another device and the Cluster Size is not compatible. Simply use the MENU, SETUP option to re-format the SD card from within the iN-CAR CAM.

NEXT BASE

www.nextbase.co.uk



RoHS