

底面  
80mm

100mm

**Ulanzi**  
UNIVERSAL CARDIOID MICROPHONE  
指向型麦克风



**Instruction Manual**

Thank you for purchasing our product

Our product is a cardioid microphone, which specially design to improve the sound quality of videos on the basis of build-in microphones.

With both cable and output cable included, it can be used on Smartphones, cameras, camcorders, audio recorders, PCs, and other audio/video recording devices.

comes out in compact size and light weight aluminium constructure, it will not be a heavy burden while shooting. Plug and play design, no need to worry the battery status. Included inside with a anti-shock mount, which can effectively reduce unwanted vibration, cable and handling noise. Also included a furry windproof shield, which specially used for minimizing the wind and environmental noise for outdoor recording, make sure the sound crystal clear.

**Features**

- Compact on-camera microphone
- Compatible with smartphones, DSLR cameras, Consumer Camcorders, PCs etc.
- Rugged metal construction
- No battery required
- Professional furry windshield included

**Specifications**

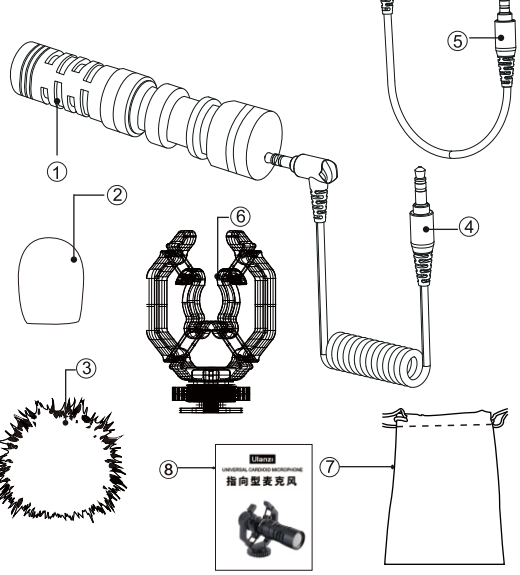
Microphone core: electret capacitor  
Polarity mode: heart type  
Sensitivity range:  $-42 \pm 1dB RL = 0.68K \Omega VS = 1.5V (1KHz 0dB = 1V/Pa)$   
Impedance: max.  $0.68K \Omega 1KHz (RL = 0.68K\Omega)$   
Frequency: 20-16000Hz  
Operating voltage range: 1.0V-10V  
SNR: more than 58dB  
Plug: 3.5mm  
Size:  $\phi 22*81mm$   
Net weight: 59g

- ▲ Please read these instructions for use thoroughly before you use this new equipment for the first time. It contains everything you need to know in order to avoid damage to persons or property.
- ▲ Strictly follow all notes on safety in these instructions for use.
- ▲ Keep these instructions for use in a safe place. If you sell your equipment or pass it on to someone else, you should also pass on these instructions for use.

**1. Understanding these instructions for use correctly**  
1.1 Markings on the device

**Waste disposal and protection of the environment**  
Electric and electronic appliances as well as batteries must not be disposed of together with domestic waste. The user is legally obliged to return electric and electronic appliances as well as batteries to specially set up public collecting points or the sales outlet once they have reached the end of their service life. Details are regulated by national law. The symbol on the product, the instructions for use or the packaging refers to these provisions. The recycling, the material-sensitive recycling or any other form of recycling of waste equipment/batteries is an important contribution to the protection of our environment.

**What's Included**



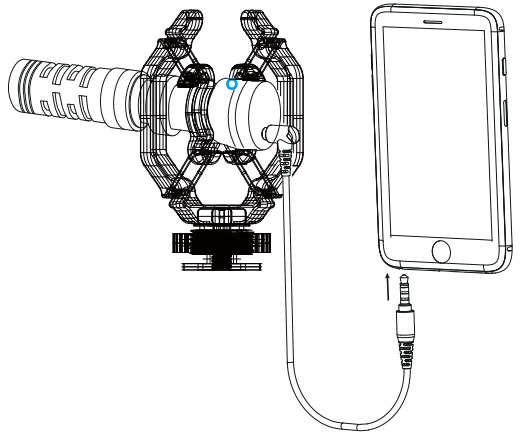
1. Microphone
2. Sponge ball
3. Windproof wool cover
4. Camera line
5. Mobile phone line
6. Shockproof frame
7. Leather bag
8. Instructions

**What's difference?**

- ① 3.5 mm connector  
-For Smartphone, tablet or Mac
- ② 3.5 mm connector  
-For cameras, camcorders, audio recorders and other audio/video recording devices.

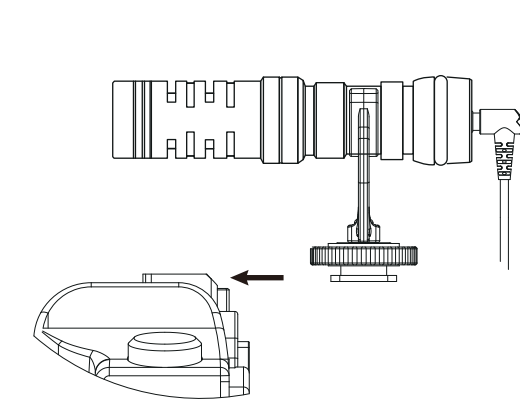
**Using the microphone with a Smartphone, tablet or Mac.**

1. Plug the 3.5 mm connector into the audio jack of your smartphone, tablet or Mac.
2. Open the audio-only or video recording app and begin recording.

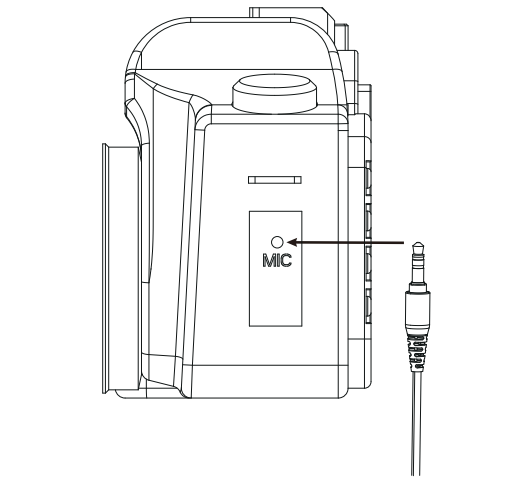


**Using the microphone with cameras, camcorders, audio recorders and other audio/video recording devices.**

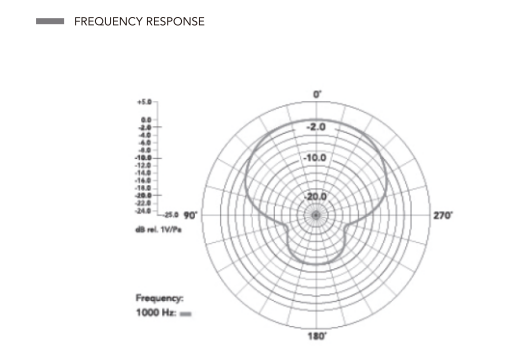
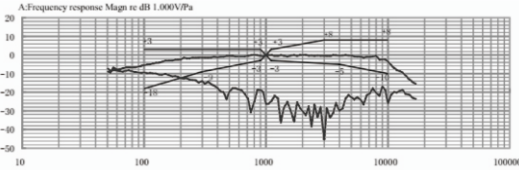
1. Lock the microphone on the camera hot shoe



2. Plug the 3.5 mm connector into the audio input jack of your device (audio recorder, amplifier, PC, laptop).



**Specifications**



**Troubleshooting**

If you have any problem using the Components,

If any problem persist, please consult our local dealer, or contact us

Problem	Solution
The microphone can't work	Make sure that using the correct audio connector. 1) For smartphone, tablet or Mac, using 3.5mm flexible cable. 2) For others devices, using 3.5mm straight cable.
Too much ambience noise is being picked up	Make sure that the microphone is as close as possible to the subject. A certain amount of ambient noise is unavoidable in loud environments.

**使用说明书**

感谢您购买我们的产品

我们的产品是一款旨在提高视频音质的指向型麦克风。

它包括电缆和输出电缆，可用于智能手机、摄像头、摄像机、录音机、PC和其他音频/视频记录设备。

体积小巧，重量轻的铝合金结构，拍摄时不会产生沉重的负担。即插即用设计，无需担心电池的状态。内置防震座，可有效降低不必要的振动、电缆和操作噪音。还包括一个毛绒防风罩，专为录音使用。模拟室外录音的风和环境噪音，确保声音清晰响亮。

**特征**

- 便携式麦克风
- 与智能手机、DSLR兼容
- 照相机、家用摄像机、个人电脑等
- 坚固的金属结构
- 不需要电池
- 包括专业毛绒防风罩

**规格**

咪芯：驻极体电容咪  
极性模式：心型  
灵敏度范围： $-42 \pm 1dB RL = 0.68K \Omega VS = 1.5V (1KHz 0dB = 1V/Pa)$   
阻抗：Max.  $0.68K \Omega 1KHz (RL = 0.68K \Omega)$   
最大值： $0.68K \Omega 1KHz (RL = 0.68K \Omega)$   
频率：20-16000 Hz  
工作电压范围：1.0V-10V  
信噪比：More than 58dB  
插头：3.5mm  
尺寸： $\phi 22*81MM$   
净重：59g

**警告**

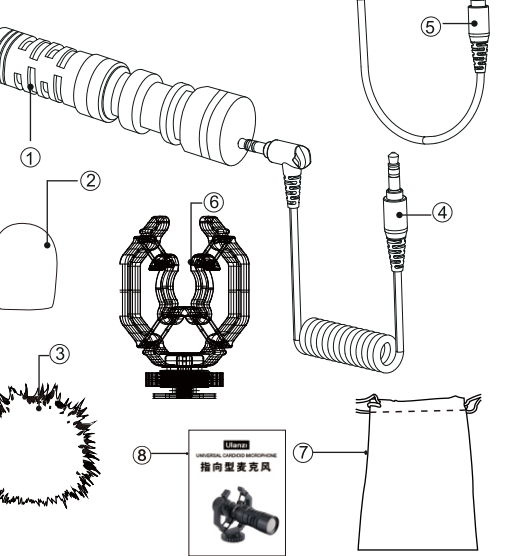
- 在首次使用此新设备之前，请仔细阅读本说明书。它包含您需要了解的所有内容，以避免对人身或财产造成损害。
- 严格遵守本使用说明书中关于安全的所有注意事项
- 将这些使用说明书放在安全的地方。如果您出售您的设备或把它传给别人，你也应该把这些使用说明书传给别人。

**1. 正确理解这些使用说明**

**设备上的标记**

**废物处置与环境保护**  
电器、电子产品和电池不得与生活垃圾一起处理，用户在使用寿命结束后，依法有义务将电器、电子产品和电池退回专门设立的公共收集点或销售点。具体遵循国家法律。产品上的标志、使用说明或包装是指这些规定。对废物设备/电池的回收、材料敏感回收或任何其他形式的回收，都是对保护我们环境的重要贡献。

**包含什么？**



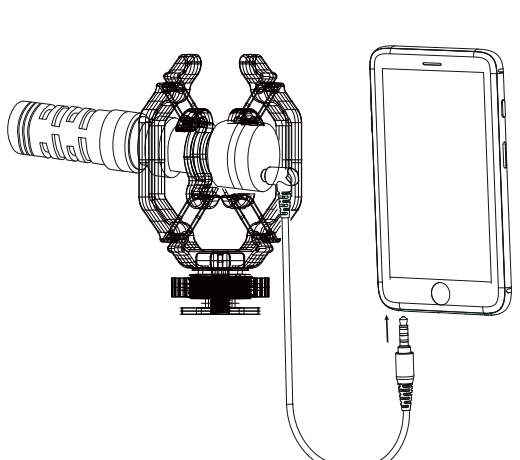
1. 麦克风
2. 海绵球
3. 防风毛套
4. 相机线
5. 手机线
6. 防震架
7. 皮袋
8. 说明书

**有什么区别？**

- ① 用于智能手机、平板电脑或Mac电脑的3.5毫米连接器
- ② 照相机、摄像机、录音机和其他音频/视频记录设备的3.5毫米连接器

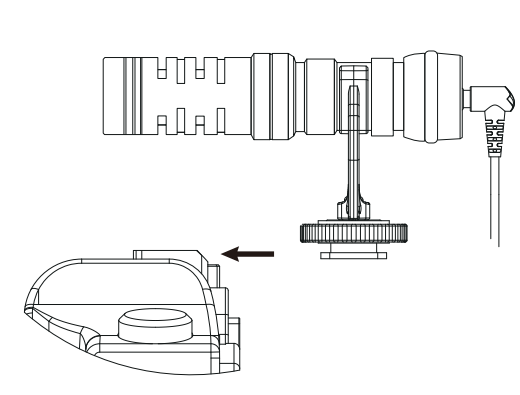
**将麦克风与智能手机、平板电脑或Mac电脑配合使用**

1. 将3.5毫米插头插入智能手机、平板电脑或Mac的音频插孔
2. 打开“音频”或“视频录制”应用软件并开始录制

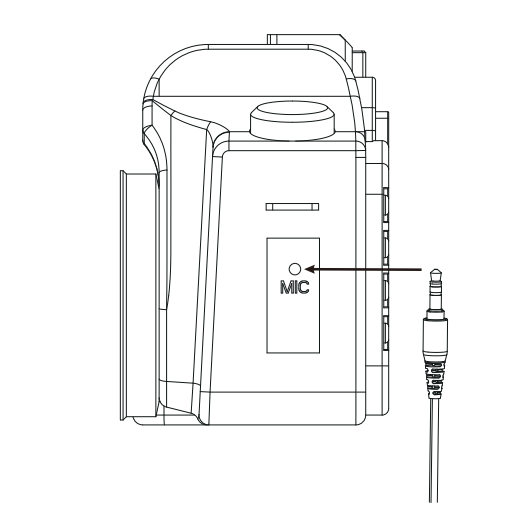


**将麦克风与相机、摄像机、录音机和其他音频/视频录制设备配合使用**

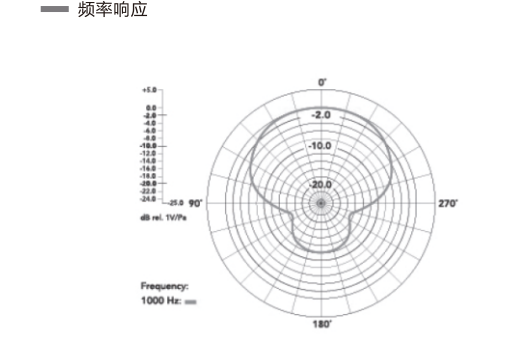
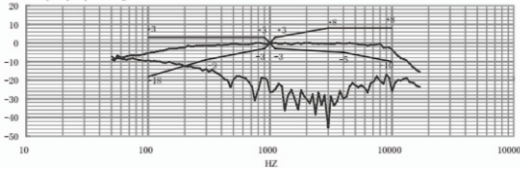
1. 把麦克风放在相机上



2. 将3.5毫米插头插入设备的音频输入插孔（录音机、相机、PC、笔记本电脑）



**规格**



**故障排除**

部件如果使用以下检查表。

如有任何问题，请与我们联系。

问题	解决方案
麦克风不能工作	确保用3.5毫米可弯曲电缆连接正确的音频设备，如智能手机、平板电脑或Mac
环境噪音太大	确保麦克风尽可能靠近被摄对象。在嘈杂的环境中，一定量的环境噪音是不可避免的。