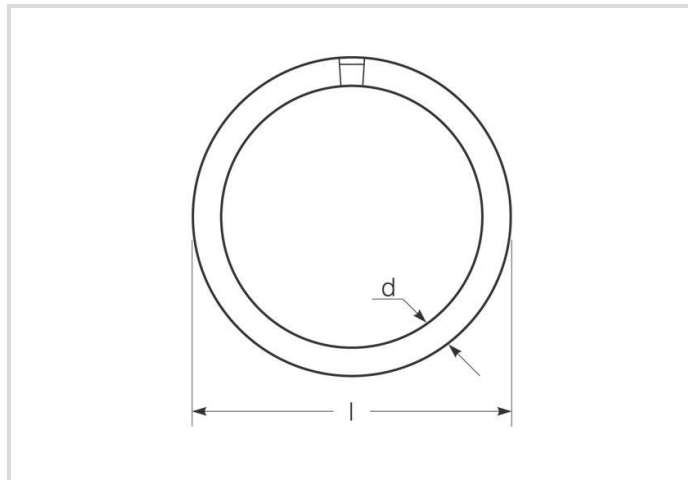


# Fluorescent lamp Bonalux®Ring

NL-T5 22W/840C/2GX13

# Radium

Product Datasheet Date: 16.10.2022



A



G



1800



4000K



12 000h



Dimmable

## General Data

Article No.	31213233
Code	NL-T5 22W/840C/2GX13
Product EAN	4008597132339
Customs tariff no.	85393190
Box quantity (pcs.)	12
EAN Box	4008597432330
Gross weight of box in kg	1.614
Length of box in m	0.293
Width of box in m	0.248
Height of box in m	0.25
ETIM class	EC000108
ETIM class name	Fluorescent lamp
Weight	83 g
Product status	<span style="color: orange;">●</span> Phase Out

## Electric Parameters

Rated wattage	22.3 W
Lamp nominal wattage	22 W

## Electric Parameters

Mains voltage	230 V
Nominal current (mA)	300 mA
dimnable	Yes

## Light Application Parameters

Luminous flux	1900 lm
Rated lamp luminous flux	1800 lm
Luminous flux nominal	1800 lm
max. luminous flux	1900 lm
max. luminous flux at	30 °C
Luminous efficiency	85.2 lm/W
Luminous efficiency of lamp	85.2 lm/W
Radium light colour	white
Code of light color	840
Colour temperature	4000 K
Color rendering index Ra	? 80
Mean luminance	1.7
Lumen maintenance at 2000h	0.85
Lumen maintenance at 4000h	0.83
Lumen maintenance at 6000h	0.80
Lumen maintenance at 8000h	0.80
Lumen maintenance at 12000h	0.75

## Service Life

Average nominal lifespan	12000 h
Lamp survival factor at 2000h	0.99
Lamp survival factor at 4000h	0.99
Lamp survival factor at 6000h	0.98
Lamp survival factor at 8000h	0.92
Lamp survival factor at 12000h	0.50

## Specification

Energy Label A to G	G
Energylabel A++ to E	A
Diameter max.	16 mm
Tube diameter	16 mm

# Fluorescent lamp Bonalux®Ring

NL-T5 22W/840C/2GX13

Radium

## Specification

Length max.	225 mm
Length	225 mm
Mercury content	3.7 mg
Lamp shape	Ring
Base	2GX13
Colour	Other

## Miscellaneous

EU-date of phase-out	25.02.2023
EU Directive	RoHS

## Notes

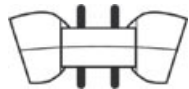
Fluorescent lamp Ring HE T5-16mm diameter, light colour 840, base 2GX13. Controllable by Dim-ECG.

Please, refer to [www.radium.de/recycling](http://www.radium.de/recycling) for notes on disposal of burned-out lamps as well as lamp breakage.

The "lifespan L70" described for LED lamps indicates the number of hours when the luminous flux has decreased to 70% of its initial value.

The optimal field 'info about service life' contains the frame conditions according to standards based on which the specific service life has been determined. So, for example, "12B50, 50Hz" means that the mean service life (B50) has been determined with a 12h switching cycle at mains (frequency 50Hz), "3B50, HF" is based on a 3h switching cycle at electronic control gear (high frequency).

### Base



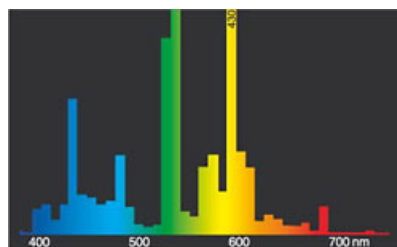
2GX13  
IEC/EN 60061-1  
sheet 7004-125-1

### Spectrum

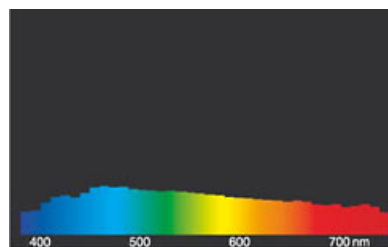
Natural daylight is a mixture of direct sunlight and the light of the sky. Therefore, its spectral composition changes permanently due to the changing time of day. The standardised light classification D65 corresponds to a daylight with a colour temperature of approximately 6500 K.

Every fluorescent lamp type has got an individual spectral power distribution according to its phosphor coating inside the bulb. From this result important properties light colour or colour rendering.

Visible region from 380 to 780 nm; height of graph corresponding with relative spectral emission (400mW/klm) per 10nm.



light colour 840 Spectralux® white (21)



daylight(D 65)

### Special features



### General notes

# Fluorescent lamp Bonalux®Ring

NL-T5 22W/840C/2GX13

# Radium

The technical design data in accordance with DIN and IEC. The producer does not take any responsibility for damage to persons or property in case of unsuitable operation or handling of the product. Operating data and dimensions are valid within the usual tolerances. Related lamp types (different bases, mains voltages) may be available on request. Sale and delivery are effected in accordance with the Radium Terms of Delivery and Payment valid on the day of conclusion of contract. Packing units offer economical advantages to the purchase and logistic department. Please match your quantity volume accordingly. For orders of a minimum quantity (clefts) with a lamp model the amount lower than the volume of each packaging unit, we will invoice 10 % additional charge per lamp type. Technical changes and terms of delivery are reserved. Manipulation of any kind to packaging or product is not permissible as this will violate Radium brand rights. Furthermore, technical properties of the product can change to its disadvantage or even destruction. Therefore, Radium cannot be responsible for consequential damages.

® = Registered trademark

Subject to change without notice. Errors and omissions excepted.

All technical data without guarantee.