

ENGLISH

Introduction	3
Care and maintenance	3
Features	3
Technical specifications	4
AUDIO	4
* Limited to 85 dB to protect hearing	4
MICROPHONE	4
CONNECTIVITY	4
CABLE	4
OTHER FEATURES	4
Product content	4
General overview	5
Main Functions	6
Switching on and off the device	6
Connecting two sets of Lol&Roll Pop Kids Headphones	6
Other functions	6
Voice Assistant	6
Warranty	6
CE declaration of conformity	6
UKCA declaration of conformity	7

LOL & ROLL



Pop

Manual de usuario / User Manual

ENERGY♥SISTEM

Introduction

- Thank you for trusting our company and buying your new *Lol&Roll Pop Kids Headphones*. We hope you enjoy the product.
- Headphones for kids, designed to enjoy music and multimedia content and share the experience with "Music Share". The 85 dB volume limit protects children's hearing. Removable cable with in-line microphone.

Care and maintenance

- Do not expose your *Lol&Roll Pop Kids Headphones* to humidity or high temperatures.
- Do not use neither corrosive nor abrasive cleaning products.
- Do not disassemble your headphones. All repair works should be carried out exclusively by qualified staff of Energy System Technology, S.A.

Features

- Children will enjoy together music or multimedia content thanks to Music Share. Just pair two sets of headphones with the audio output and have fun together.
- Safe for Kids 3+: child-suitable materials and Volume Limit that protects children's hearing by restricting volume to a maximum of 85 dB.

- Detachable audio cable for safety and convenience.
- The microphone will ensure they can learn and communicate in school video calls.
- Handy transport: compact design and Velcro cable tie.
- The stickers will let children's imaginations run wild while they listen to music or enjoy multimedia content.
- Have fun building the included cardboard toy.

Technical specifications

AUDIO

- Frequency response: 20 Hz ~ 20 kHz
- Driver diameter: 30 mm
- SPL: 85 ± 3 dB *
- Type: dynamic
- Neodymium magnet
- On-ear design
- Impedance: 32 ohms

* Limited to 85 dB to protect hearing

MICROPHONE

- Sensitivity: -42 dB \pm 3 dB

CONNECTIVITY

- 2 x 3.5 mm mini jack

CABLE

- Length: 120 cm
- Plug: 3.5 mm mini jack

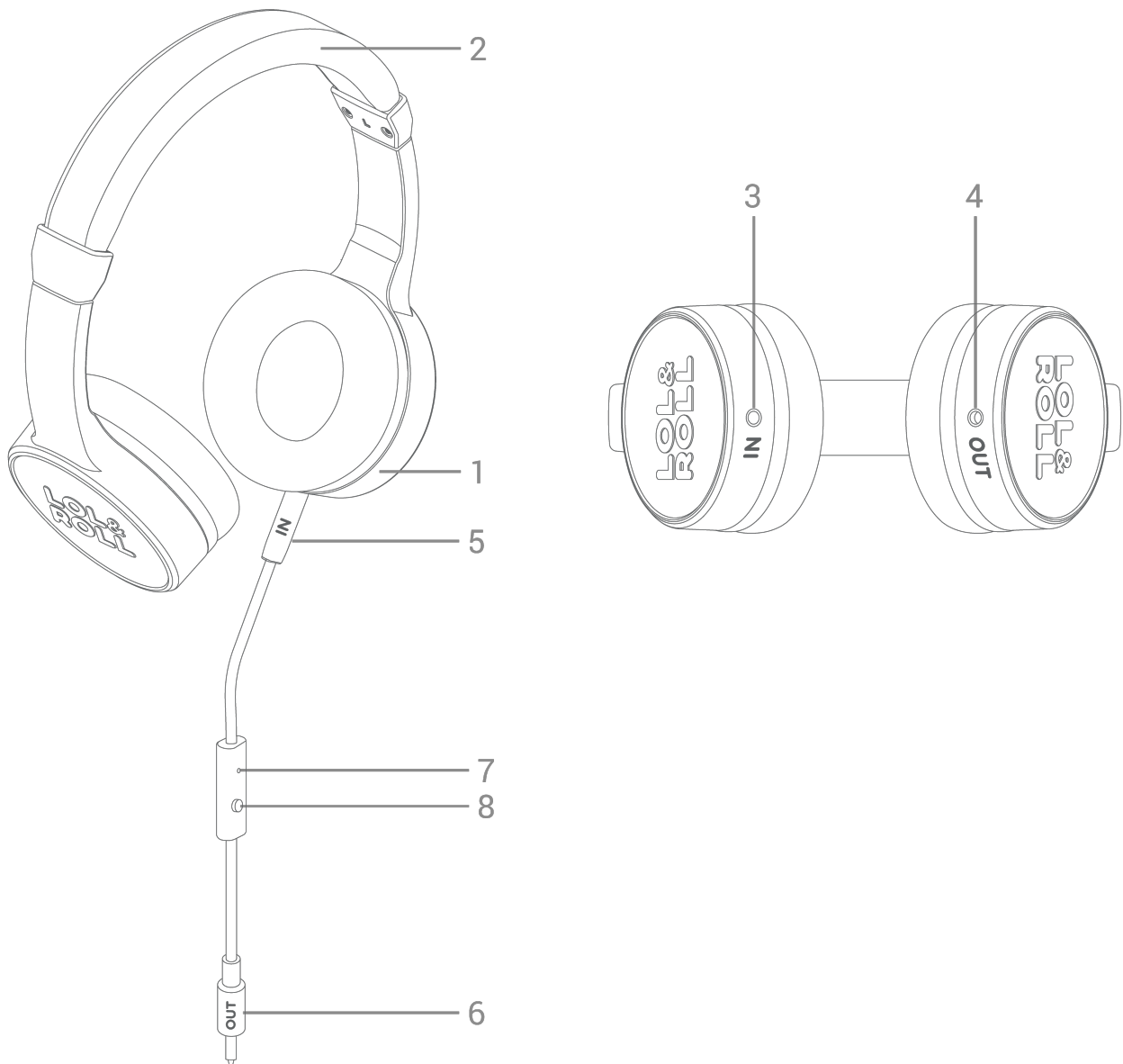
OTHER FEATURES

- Adjustable headband
- Extra 3.5 mm mini jack to share music with other headphones

Product content

- Lol&Roll Pop Kids Headphones
- Audio cable with microphone
- Quick guide
- LOL stickers
- Cardboard toy

General overview



1. Driver
2. Headband
3. Line-in
4. Line-out
5. 3.5 mm jack plug (IN)
6. 3.5 mm jack plug (OUT)
7. Microphone
8. Multifunction button

Main Functions

Switching on and off the device

To start using your *Lol&Roll Pop Kids Headphones*, connect the *3.5 mm jack plug (IN) (5)* to the *Line-in (3)* and the *3.5 mm jack plug (OUT) (6)* to your smartphone or PC.

Note: We recommend leaving a distance of approximately 5 cm between lips and microphone to ensure optimal performance.

Connecting two sets of Lol&Roll Pop Kids Headphones

To connect two sets of headphones to the same music player, connect the *3.5 mm jack plug (IN) (5)* to the headphones' *Line-in (3)* and the *3.5 mm jack plug (OUT) (6)* to your smartphone or PC.

Then connect the *3.5 mm jack plug (OUT) (6)* of the second cable to the *Line-out (4)* on the first set of headphones. Once you've done this, connect the *3.5 mm jack plug (IN) (5)* of the very same cable to the *Line-in (3)* on your second set of headphones. At this point you can listen to music through both sets.

Note: You will not be able to control playback from the second set of headphones while this mode is enabled. Use the control built into the cable connected to the music player instead to skip to the previous/next song or pause music.

Other functions

Press the *Multifunction button (8)* to control music playback. Press it once to pause/resume playback. Press it twice to skip to the next track. Press it three times to skip to the previous track.

Voice Assistant

To activate the voice assistant on your smartphone, press and hold the *Multifunction button (8)*.

Note: The *Multifunction button (8)* will not work if your headphones are connected to the PC.

You can change the size by means of the adjustable *headband (2)*.

Warranty

You can check the warranty terms here:

<https://www.energysistem.com/terms-warranty>

CE declaration of conformity

Issuer's name: Energy Sistem Technology, S.A. - CIF: A53107488

Address: C/ Calpe, 1 - 03509 Finestrat, Alicante (Spain)

Tel: +34 966 830 324

We declare under our sole and exclusive responsibility that the product:

Description: kids' headphones

Brand: Energy Sistem

Model: Lol&Roll Pop Kids Headphones

Manufacturer: Energy Sistem Technology, S.A.

Manufacturing country: China

referred to in this declaration complies with the essential norms and standards:

- EN IEC 62368-1:2020+A11:2020
- EN 62479:2010/ EN 50663:2017
- ETSI EN 301 489-1 V2.2.3(2019-11)
- ETSI EN 301 489-17 V3.2.2(2019-12)
- ETSI EN 300 328 V2.2.2(2019-07)

- EN71-1: 2014+A1:2018
- EN71-2:2020
- EN71-3:2019+A1:2021

in conformity with the provisions of the Directive 2014/30/EU and 2009/48/EC of the European Parliament.

Finestrat, 1st October 2021



Miguel Ángel Aragüez García
Innovation and Technology Director



UKCA declaration of conformity

Issuer's name: Energy Sistem Technology, S.A. - CIF: A53107488
Address: C/ Calpe, 1 - 03509 Finestrat, Alicante (Spain)
Tel: +34 966 830 324

We declare under our sole and exclusive responsibility that the product:

Description: kids' headphones
Brand: Energy Sistem
Model: Lol&Roll Pop Kids Headphones
Manufacturer: Energy Sistem Technology, S.A.
Manufacturing country: China

referred to in this declaration complies with the essential norms and standards

- BS EN IEC 62368-1:2020+A11:2020
- BS EN 62479:2010 / BS EN 50665:2017
- ETSI EN 301 489-1 V2.2.3 (2019-11)
- ETSI EN 301 489-3 V2.1.1 (2019-03)
- ETSI EN 303 417 V1.1.1 (2017-09)

in conformity with the provisions of the Directive UK Radio Equipment Regulations 2017.

Finestrat, 1st October 2021



Miguel Ángel Aragüez García
Innovation and Technology Director

**UK
CA**