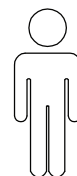
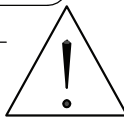
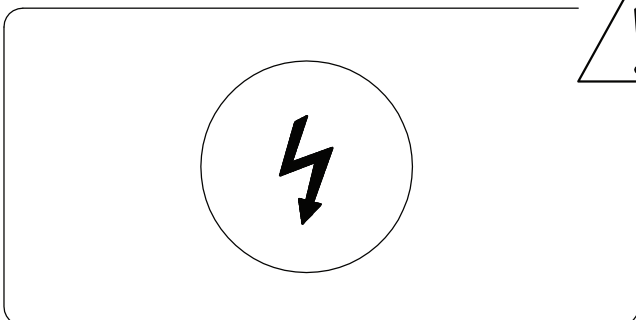
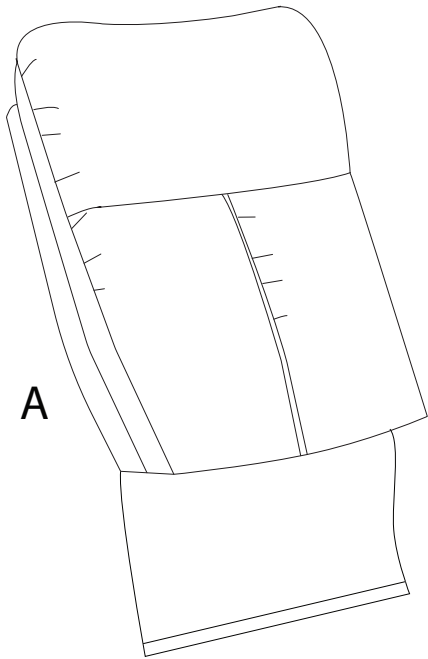


10'

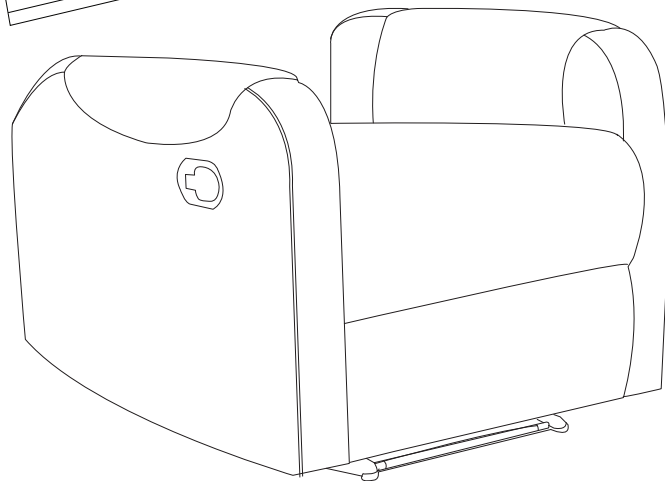


1

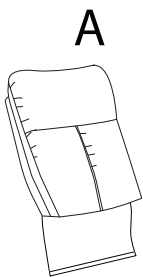
1/4



A

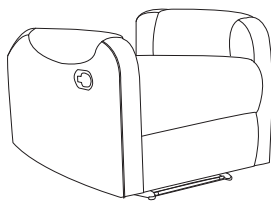


B



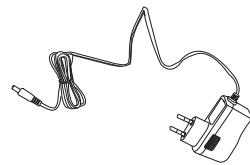
A

x 1



B

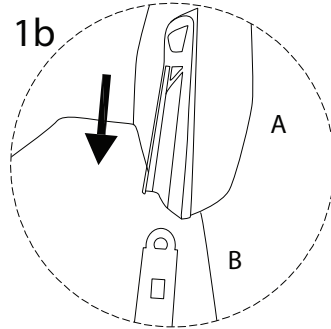
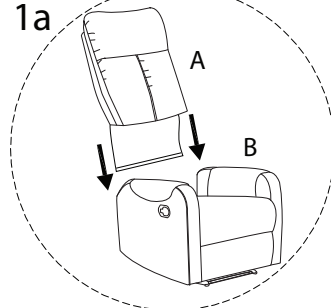
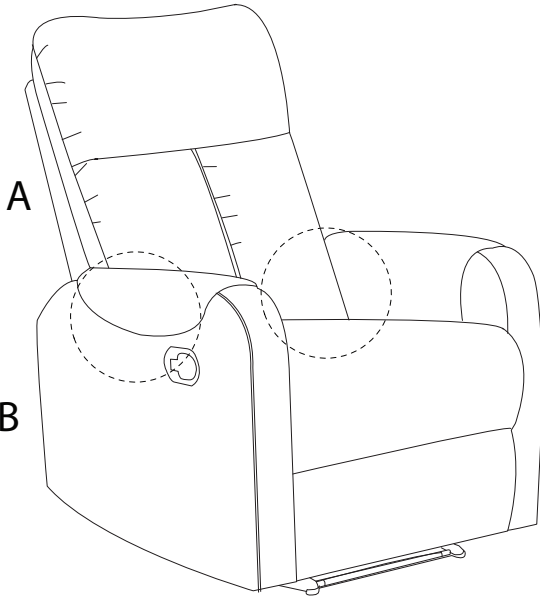
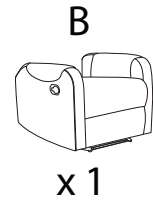
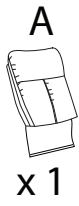
x 1



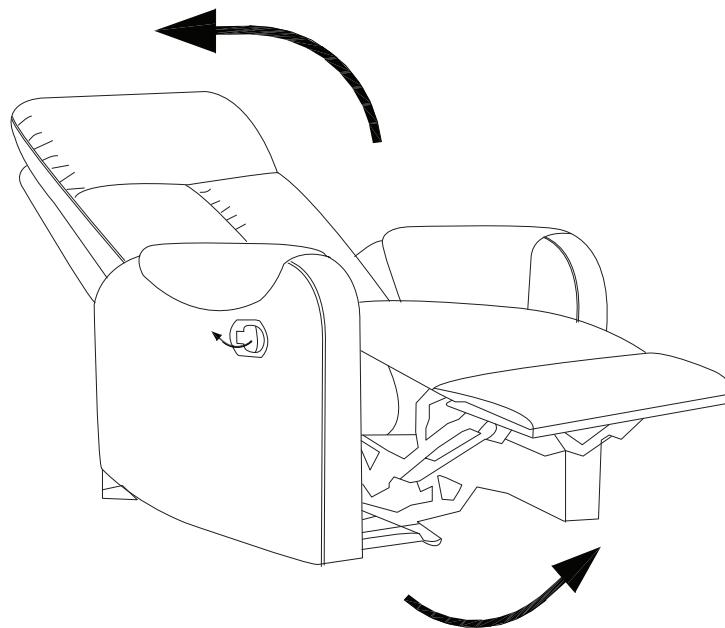
C

x 1

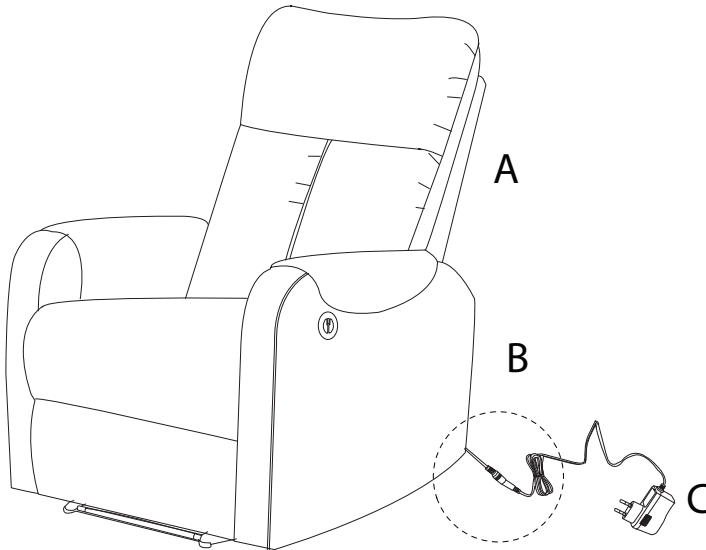
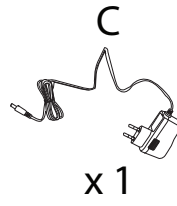
1



!



2



!

