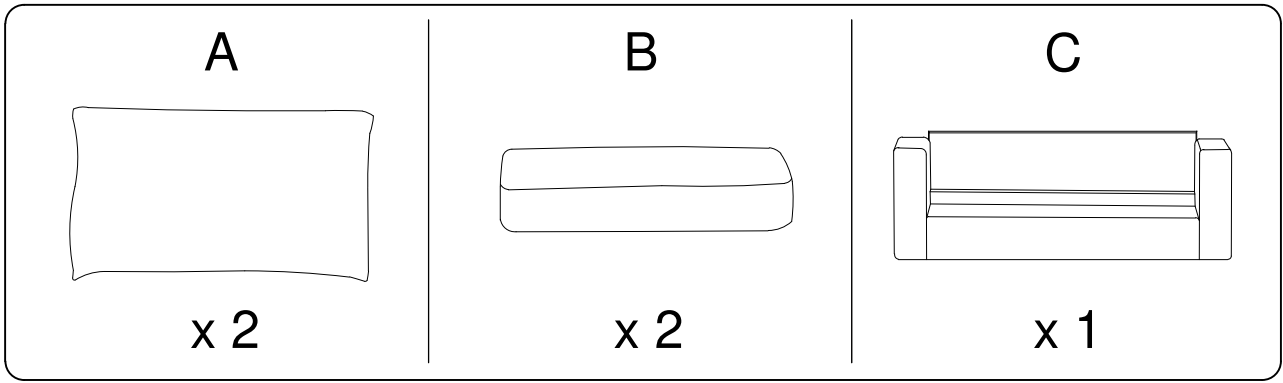


Assembly instructions for the first step:

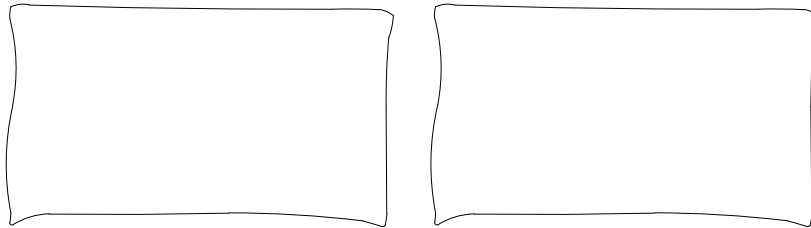
- Tools: A screwdriver (shown in a circle) and a power drill (shown with a diagonal line through it, indicating it is not to be used).
- Warning: A triangle with an exclamation mark.
- Duration: A clock icon with the text "15'" below it.

Assembly instructions for the second step:

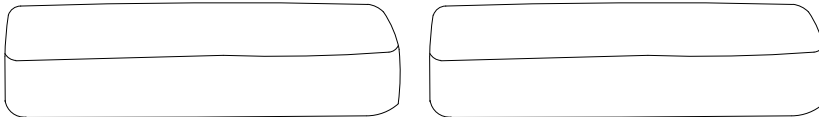
- Tools: A block of foam or padding (shown in a circle) and a pair of scissors (shown with a diagonal line through it, indicating they are not to be used).
- Warning: A triangle with an exclamation mark.
- Personnel: A stick figure icon with the number "1" below it, indicating one person is required.



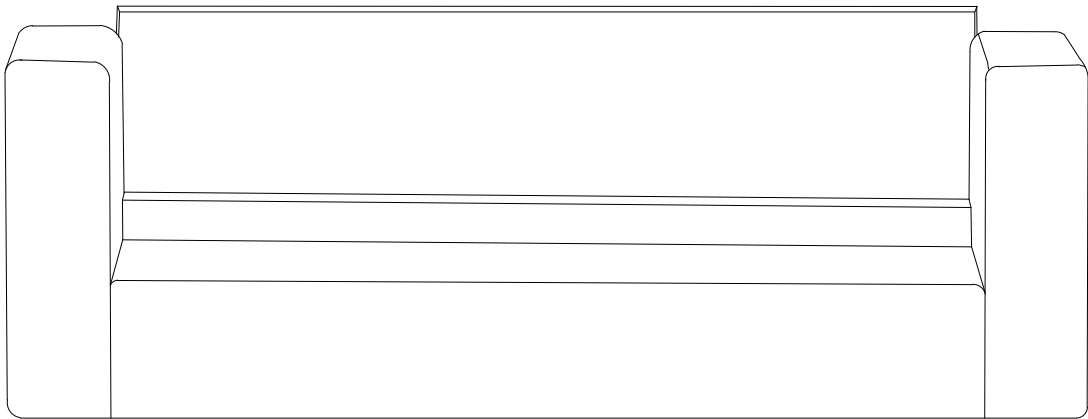
A x 2



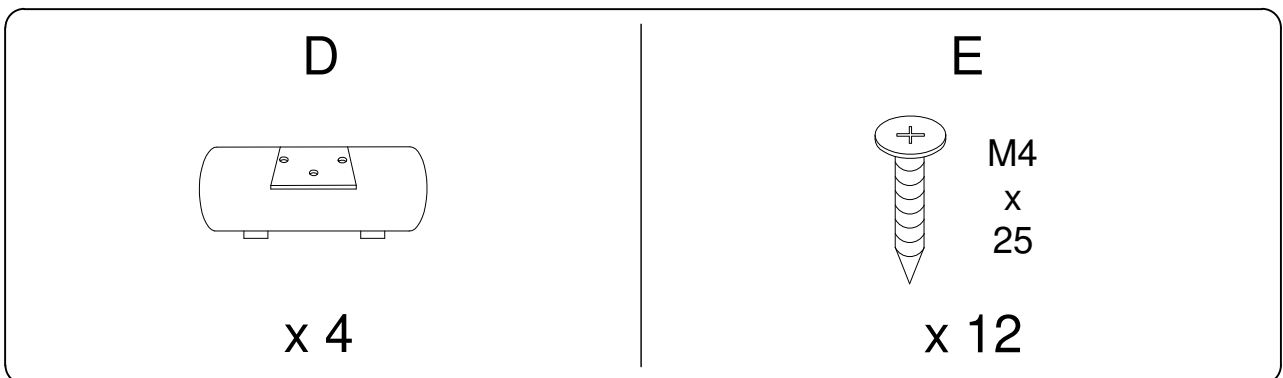
B x 2



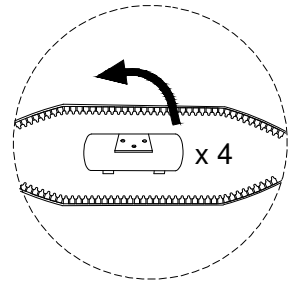
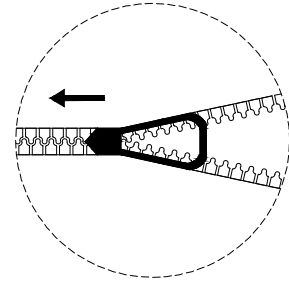
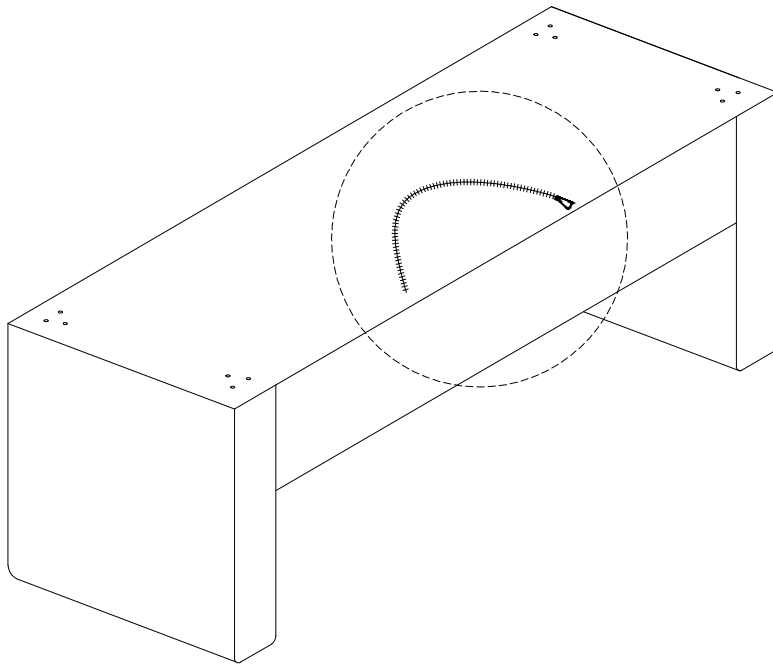
C



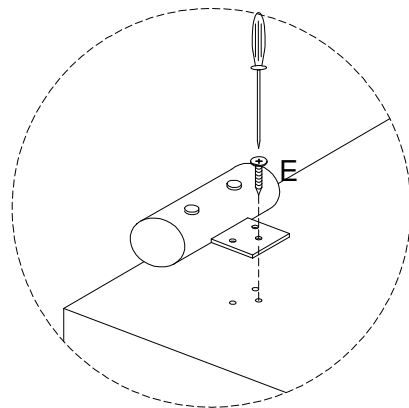
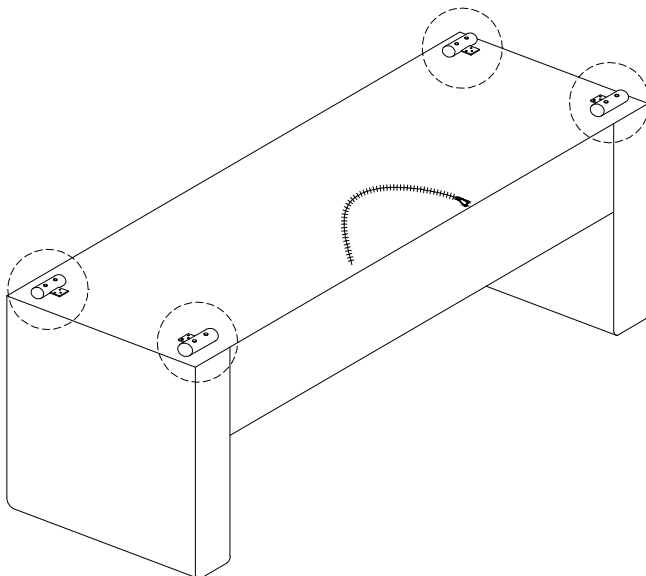
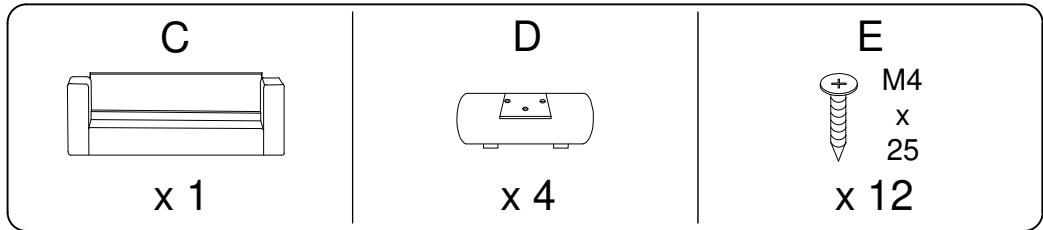
D x 4



1



2



3

