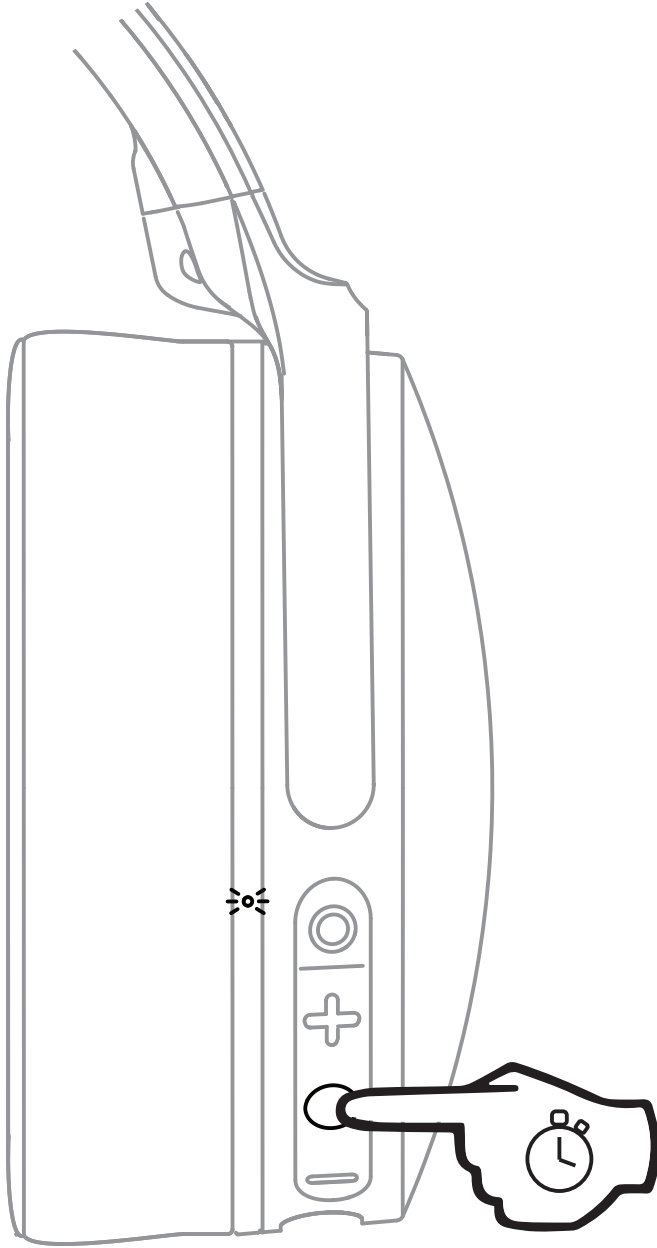




# USER GUIDE

*Hesh ANC*

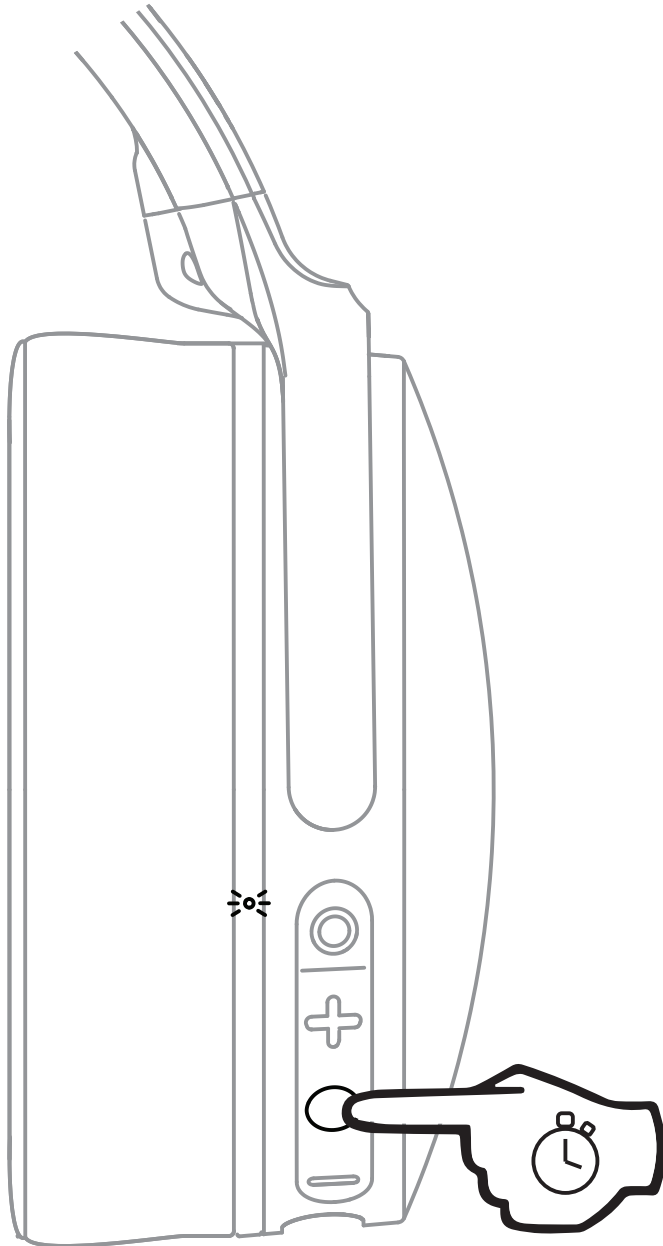
# Power - On



00:01

Power - On  
Allumé  
Encendido  
Accensione  
Ligar  
Ein  
Aan  
Tænd  
Virta Päälle  
Strøm Av  
Ström Av  
Включить  
Питание  
开机  
電源 - On  
전원 켜기  
ليغش ت ل ا

# Power - Off



00:02

Power - Off

éteint

Apagado

Spegnimento

Desligar

Aus

Uit

Sluk For Strøm

Pois

På

På

ВЫКЛЮЧИТЬ

Питание

关机

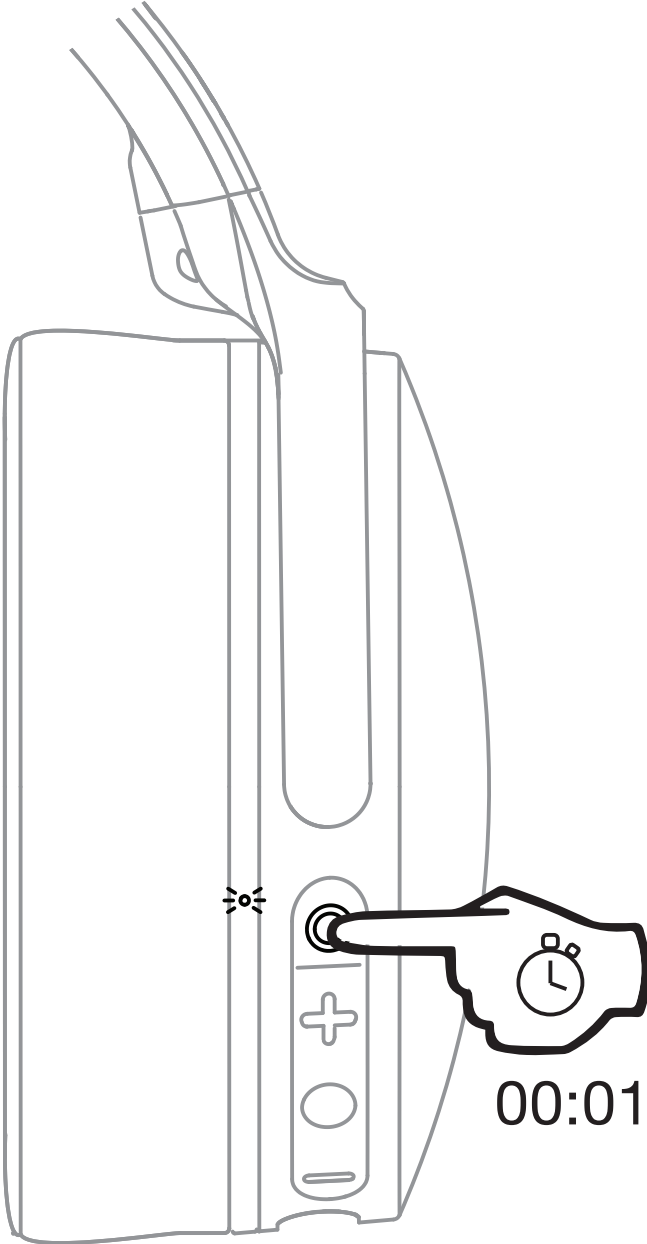
電源 - off

끄기

لي غشت لا فاقاي

# Pairing Mode

\*On Mode



Pair New Device

Coupler Nouvel Appareil

Vincular Nuevo Dispositivo

Accoppia Nuovo Dispositivo

Emparelhar Novo Dispositivo

Mit Neuem Gerät Koppeln

Nieuw Apparaat Koppelen

Pardan Ny Enhet

Muodosta uusi laitepari

Sammenkoble Ny Enhet

Para Ny Enhet

Сопряжение Нового Устройства

配对新设备

新しいデバイスをペアリング

새 기기 짝맞추기

ديدج زاہج ةج وازم فاقاي! عضو

## **SIMPLIFIED EU DECLARATION OF CONFORMITY**

Hereby, Skullcandy Internation GmbH declares that the radio equipment type [Model: S6HHW] is in compliance with Directive 2014/53/EU.

The full text of the EU declaration of conformity is available at the following internet address: [skullcandy.eu/product-documents](http://skullcandy.eu/product-documents)

## **DÉCLARATION DE CONFORMITÉ SIMPLIFIÉE DE L'UE**

Skullcandy Internation GmbH déclare par la présente que le type d'équipement radioélectrique [modèle: S6HHW] est conforme à la directive 2014/53 / UE. Le texte complet de la déclaration de conformité UE est disponible à l'adresse Internet suivante: [skullcandy.eu/product-documents](http://skullcandy.eu/product-documents)

## **DECLARACIÓN DE CONFORMIDAD SIMPLIFICADA DE LA UE**

Por la presente, Skullcandy Internation GmbH declara que el tipo de equipo de radio [Modelo: S6HHW] cumple con la Directiva 2014/53 / UE.

El texto completo de la declaración de conformidad de la UE está disponible en la siguiente dirección de Internet: [skullcandy.eu/product-documents](http://skullcandy.eu/product-documents)

## **VEREENVOUDIGDE EU-CONFORMITEITSVERKLARING**

Hierbij verklaart Skullcandy Internation GmbH dat het type radio-apparatuur [Model: S6HHW] voldoet aan Richtlijn 2014/53 / EU. De volledige tekst van de EU-conformiteitsverklaring is beschikbaar op het volgende internetadres: [skullcandy.eu/product-documents](http://skullcandy.eu/product-documents)

## **FORENKLET EU-ERKLÆRING OM OVERENSSTEM- MELSE**

Hermed erklærer Skullcandy Internation GmbH at radioutstyrtyperen [Model: S6HHW] er i samsvar med direktiv 2014/53 / EU.

Den fulle teksten til EU-samsvarserklæringen er tilgjengelig på følgende internettadresse: [skullcandy.eu/product-documents](http://skullcandy.eu/product-documents)

## **YKSINKERTAINEN EU: N VAATIMUSTENMUKAISUUS- VAKUUTUS**

Tällä tavoin Skullcandy Internation GmbH vakuuttaa, että radiolaitteiden tyyppi [Malli: S6HHW] on direktiivin 2014/53 / EU mukainen. EU: n vaatimustenmukaisuusvakuutuksen koko teksti on saatavilla seuraavassa Internet-osoitteessa: [skullcandy.eu/product-documents](http://skullcandy.eu/product-documents)

**FÖRENKLAD  
EU-FÖRSÄKRAN OM ÖVERENSSTÄM-  
MELSE**

Häri förklarar Skullcandy Internation GmbH att radioutrustningstypen [Modell: S6HHW] överensstämmer med direktiv 2014/53 / EU. Den fullständiga texten till EU-försäkran om överensstämmelse finns på följande internetadress: [skullcandy.eu/product-documents](http://skullcandy.eu/product-documents)

**FORENKLET  
EU-OVERENSSTEMMELSESERKLÆRING**

Hermed erklærer Skullcandy Internation GmbH, at radioudstyrstypen [Model: S6HHW] er i overensstemmelse med direktiv 2014/53 / EU. Den fulde ordlyd af EU-overensstemmelseserklæringen findes på følgende internetadresse: [skullcandy.eu/product-documents](http://skullcandy.eu/product-documents)

**DECLARAÇÃO  
DE CONFORMIDADE DA UE SIMPLIFICADA**

Por este meio, a Skullcandy Internation GmbH declara que o tipo de equipamento de rádio [Modelo: S6HHW] está em conformidade com a Diretiva 2014/53 / UE. O texto integral da declaração UE de conformidade está disponível no seguinte endereço da Internet: [skullcandy.eu/product-documents](http://skullcandy.eu/product-documents)

**DICHIARAZIONE  
DI CONFORMITÀ UE SEMPLIFICATA**

Con la presente, Skullcandy Internation GmbH dichiara che il tipo di apparecchiatura radio [Modello: S6HHW] è conforme alla Direttiva 2014/53 / UE.

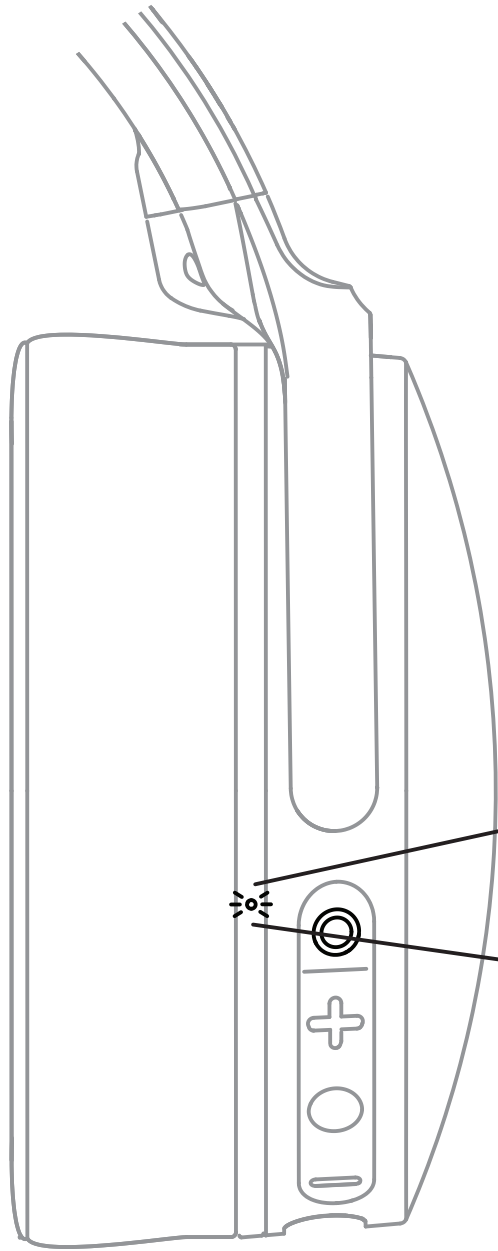
Il testo completo della dichiarazione di conformità UE è disponibile al seguente indirizzo internet: [skullcandy.eu/product-documents](http://skullcandy.eu/product-documents)

**VEREINFACHTE  
EU-KONFORMITÄT SERKLÄRUNG**

Hiermit erklärt die Skullcandy Internation GmbH, dass der Funkgerätetyp [Modell: S6HHW] der Richtlinie 2014/53 / EU entspricht. Der vollständige Text der EU-Konformitätserklärung ist unter folgender Internetadresse abrufbar: [skullcandy.eu/product-documents](http://skullcandy.eu/product-documents)

# Pair New Device

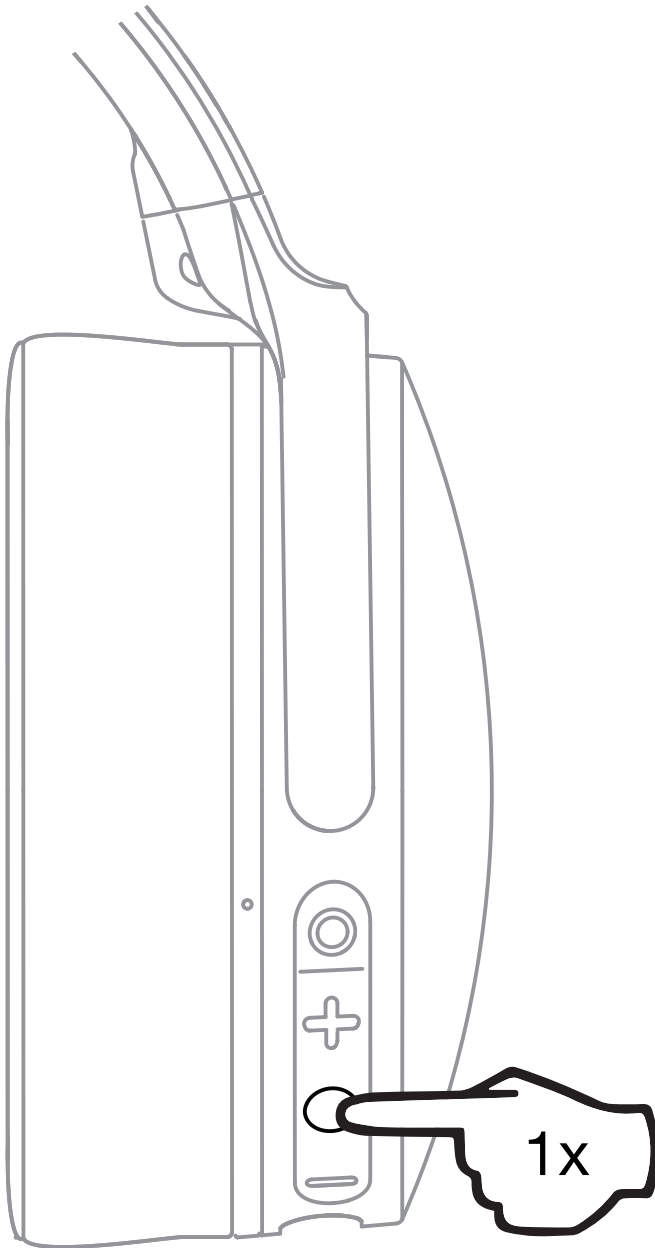
## "Hesh ANC"



- Pairing Mode
- Mode Couplage
- Modo De Vinculación
- Modalità Di Accoppiamento
- Modo Emparelhamento
- Koppelingsmodus
- Paarmodus
- Pardannelsestilstand
- Laiteparin m uodostustila
- Sammenkoblingsmodus
- Parningsläge
- Режим Сопряжения
- 配对模式
- ペアリングモード
- 페어링 모드
- ةجوازمل اعضو

LED Flashes  
Red/Blue

# Play / Pause



Play / Pause

Lecture / Pause

Reproducir / Pausar

Riproduci/Pausa

Reproduzir / Colocar Em Pausa

Wiedergabe / Pause

Afspelen / Pauzeren

Afspil / Pause

Toisto / Tauko

Spill / Pause

Spela Upp / Pausa

Воспроизведение / пауза

播放/暂停

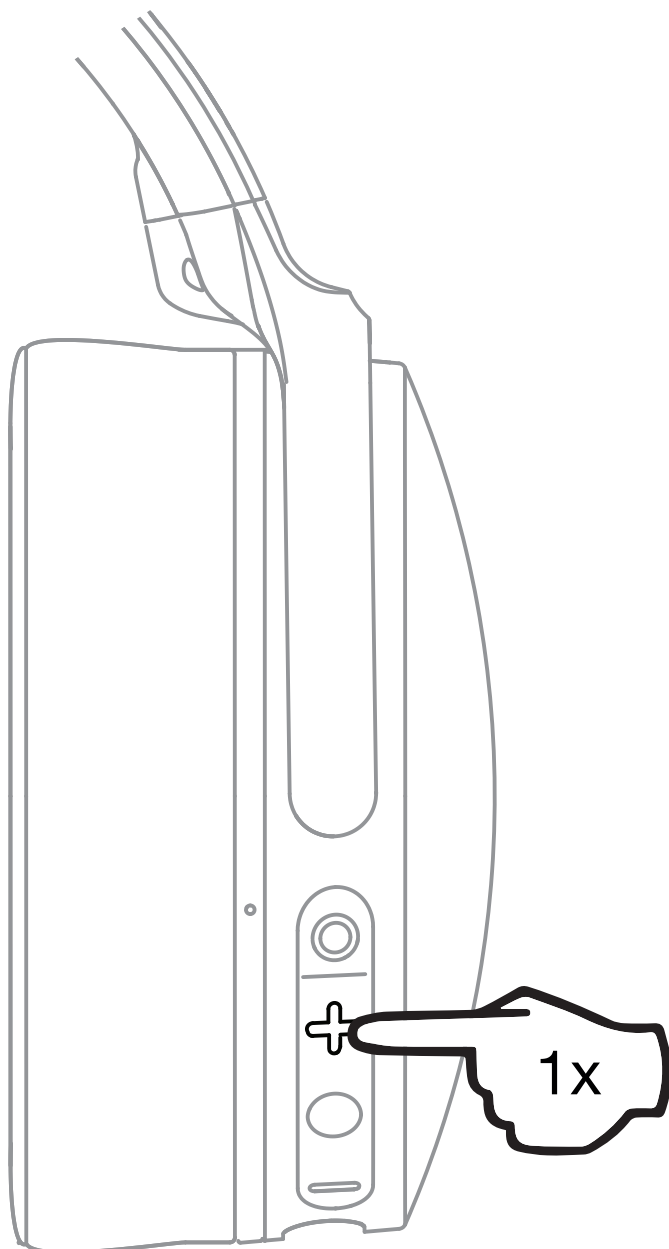
再生 / 一時停止

재생/일시 정지

تقوّم فاقاي! / لاي غشت

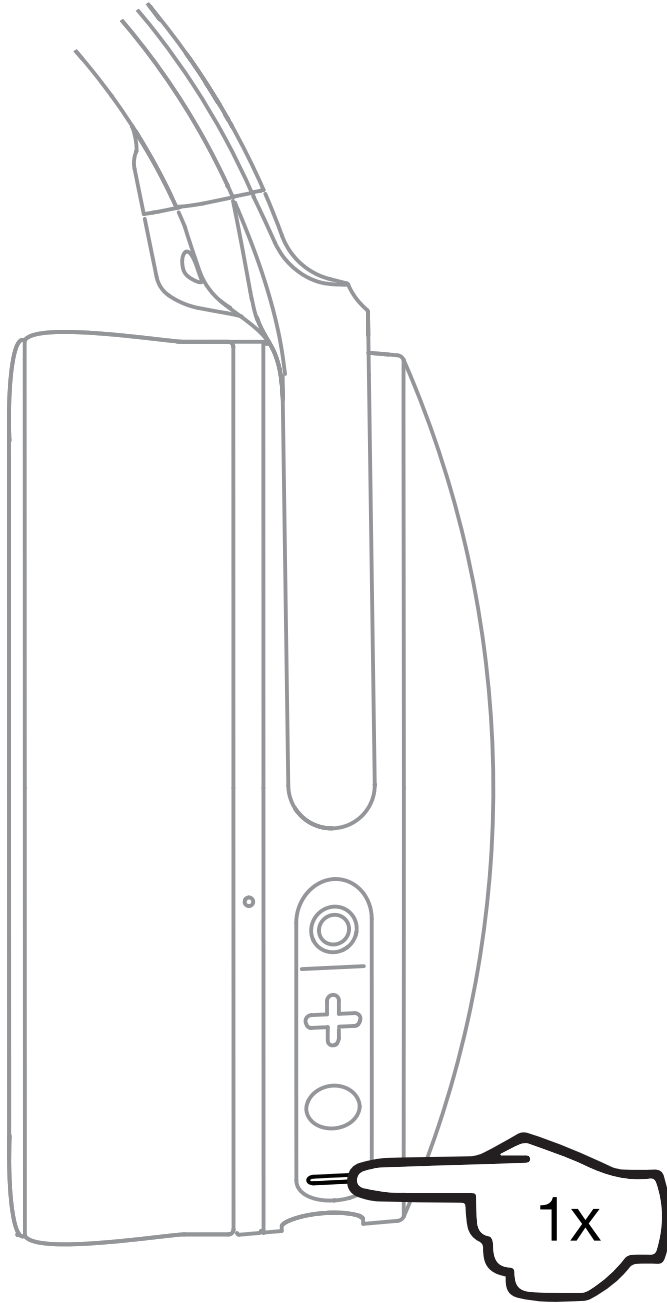


# Volume Up



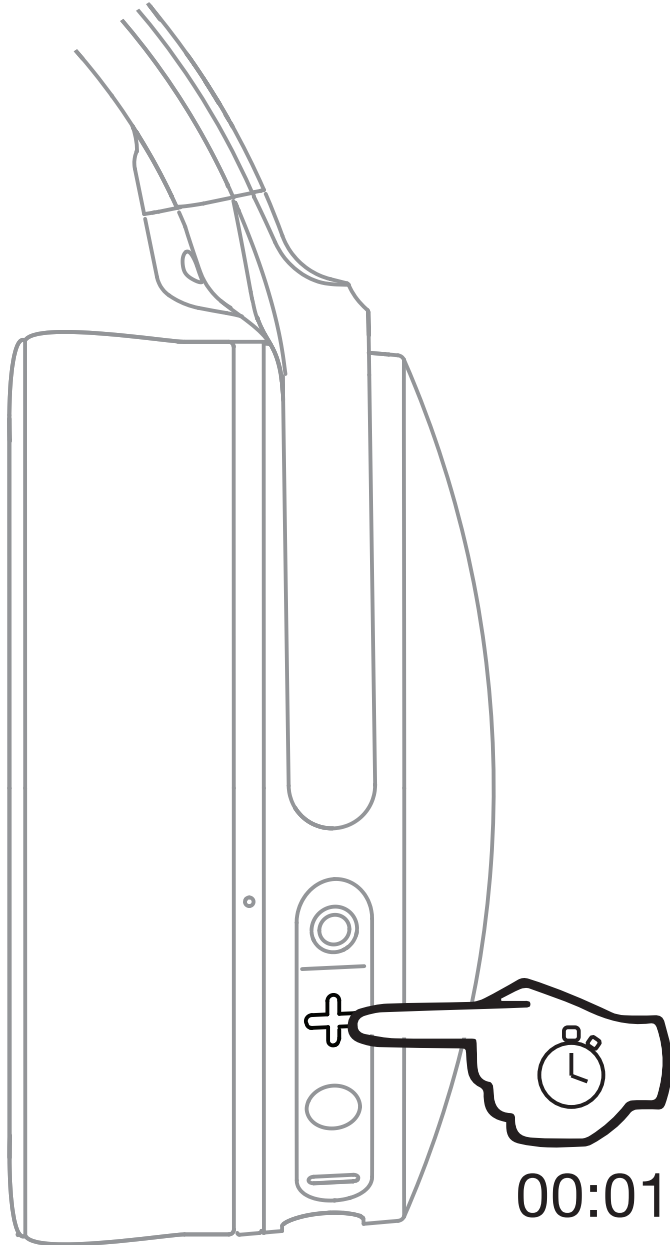
- Volume Up
- Volume +
- Subir Volumen
- Aumento volume
- Aumentar O Volume
- Lautstärke Erhöhen
- Volume Omhoog
- Skru Op For Lydstyrken
- Äänvoimakkuuden lisäys
- Volum Opp
- Öka Volymen
- Увеличение Громкости
- 音量増大
- 音量を上げる
- 볼륨 높이기
- توصل لایوت سم عفر

# Volume Down



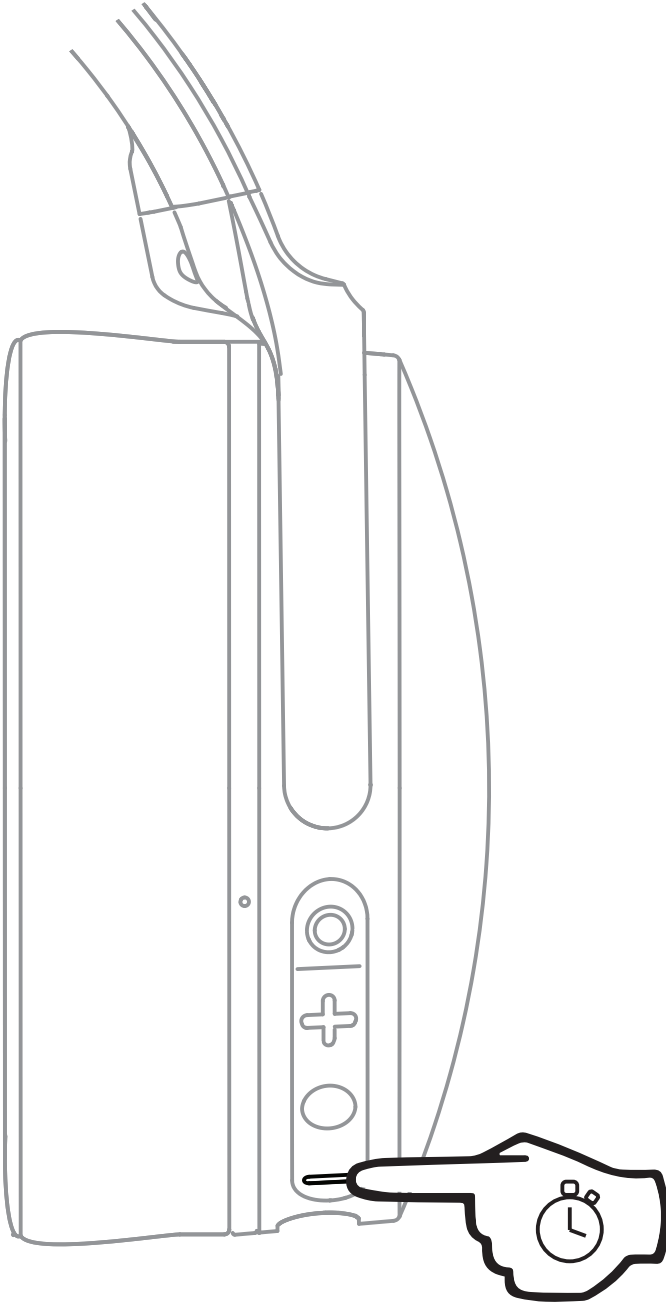
Volume Down  
Volume -  
Bajar Volumen  
Riduzione Volume  
Diminuir O Volume  
Lautstärke Senken  
Volume Omlaag  
Skru Ned For Lydstyrken  
Äänenvoimakkuuden vähennys  
Volum Ned  
Sänka Volymen  
Уменьшение Громкости  
音量减小  
音量を下げる  
볼륨 낮추기  
توصّل لى وتسم ضفخ

# Track Forward



Track Forward  
Piste Suivante  
Adelantar  
Brano successivo  
Faixa Seguinte  
Nächster Titel  
Volgend Nummer  
Skift Til Næste Musiknummer  
Kelaus eteenpäin  
Neste Spor  
Nästa Ljudspår  
Переключение На 1 Трек Вперед  
下一曲目  
次のトラックを再生する  
다음 트랙으로  
مسار إلى الأمام

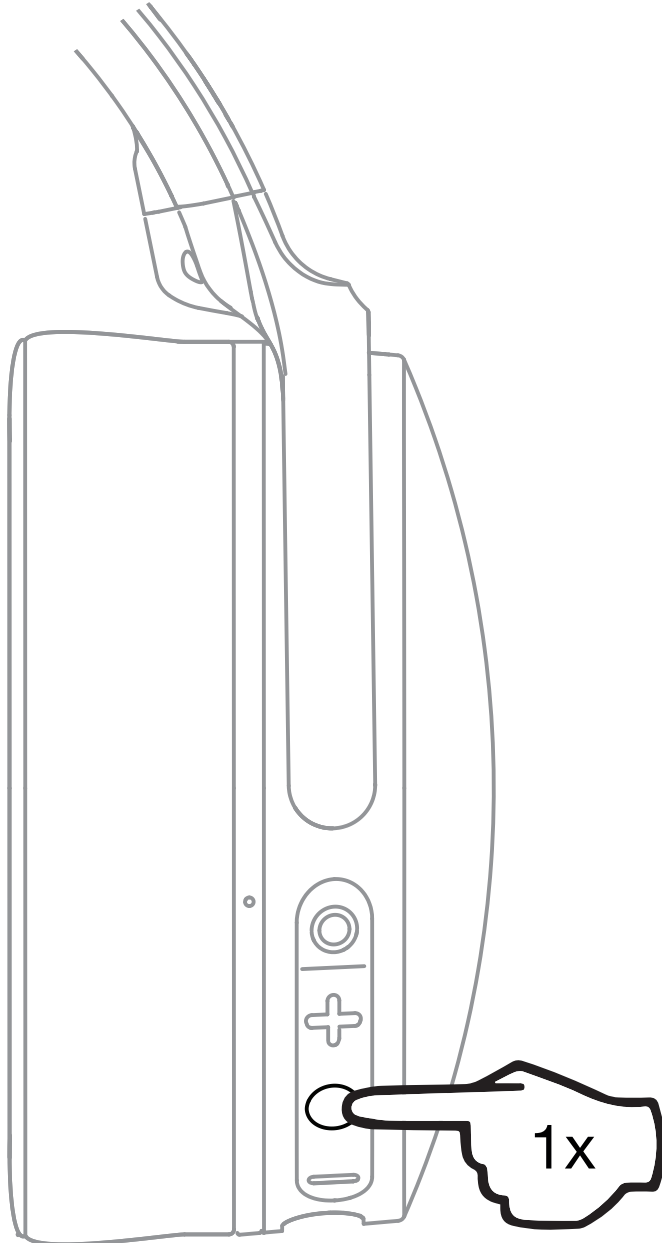
# Track Back



Track Back  
Piste Précédente  
Retroceder  
Brano Precedente  
Faixa Anterior  
Vorangehender Titel  
Vorig Nummer  
Musiknummer Tilbage  
Kelaus taaksepäin  
Forrige Spor  
Byta Till Föregående Spår  
Переключение На 1 Трек Назад  
上一曲目  
前のトラックを再生する  
이전 트랙으로  
فلخ لا یلإ راسم

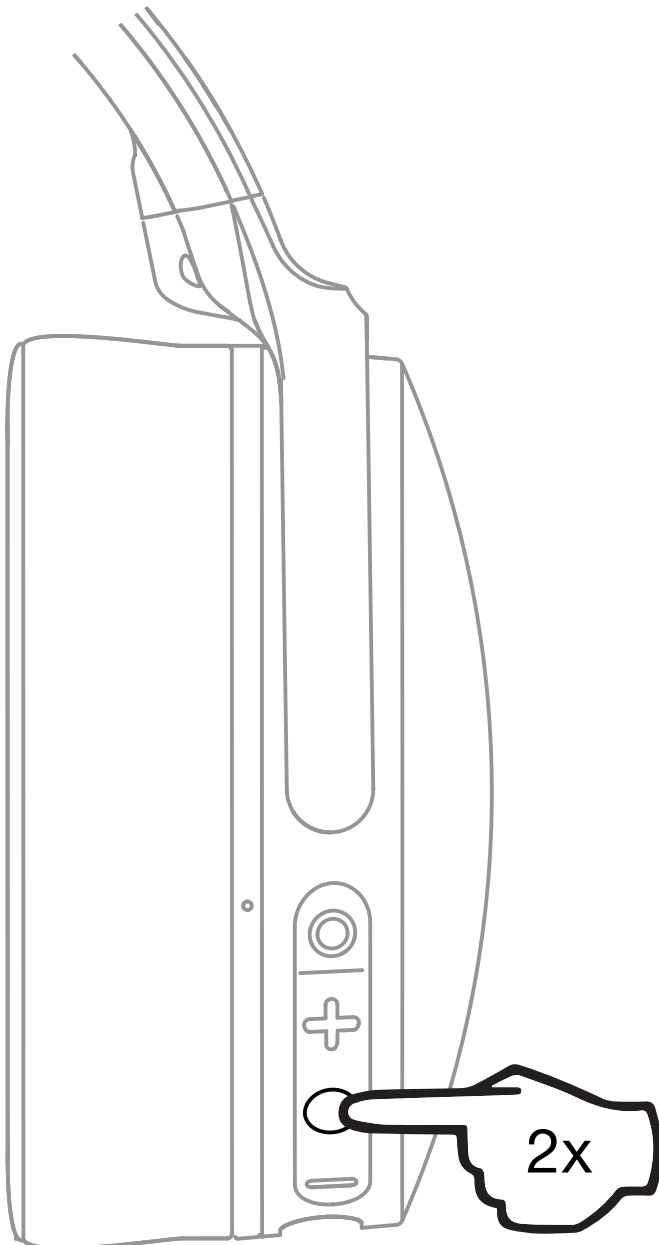
00:01

# Answer / End Phone Calls



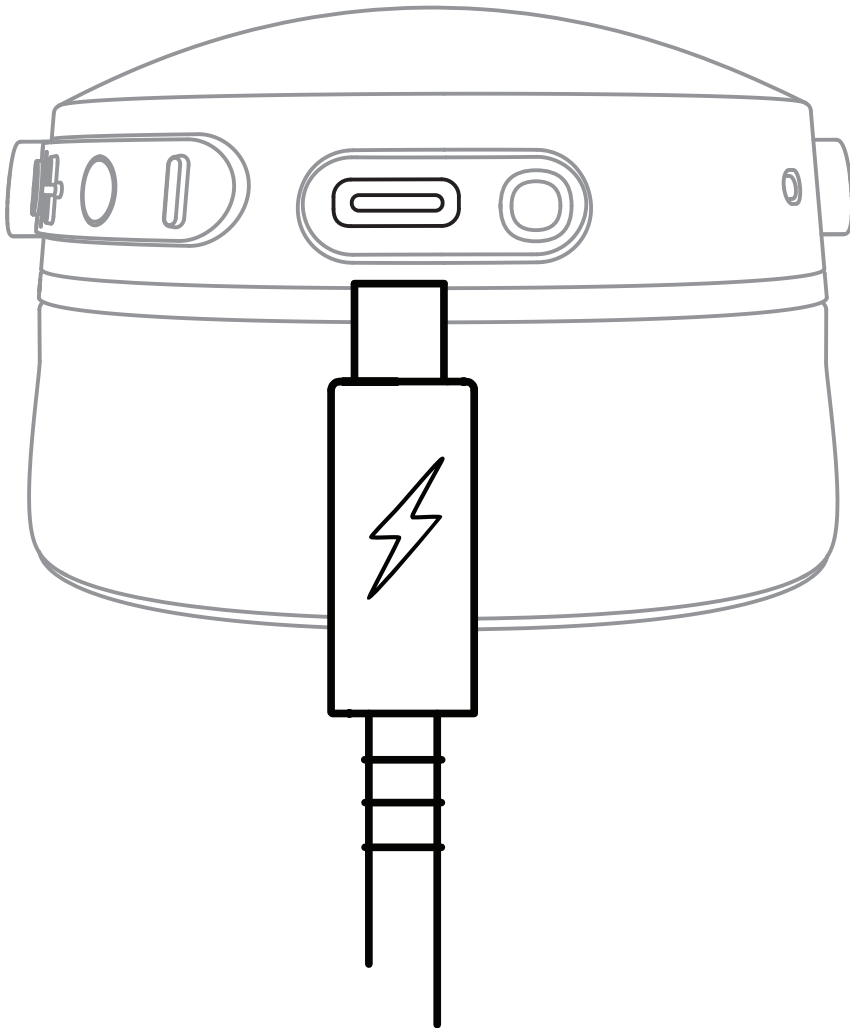
Answer / End  
Répondre / Fin  
Responder / Colgar  
Risposta/Fine  
Atender / Desligar  
Annehmen / Beenden  
Beantwoorden / Beëindigen  
Besvar / Afslut  
Vastaus / Lopetus  
Svar / Avslutt  
Svara / L agg P a  
 tветить / закончить  
接听/结束  
応答 / 終了  
전화 받기/끊기  
ءاهن  لءا / درلءا

# Activate Voice Assistant



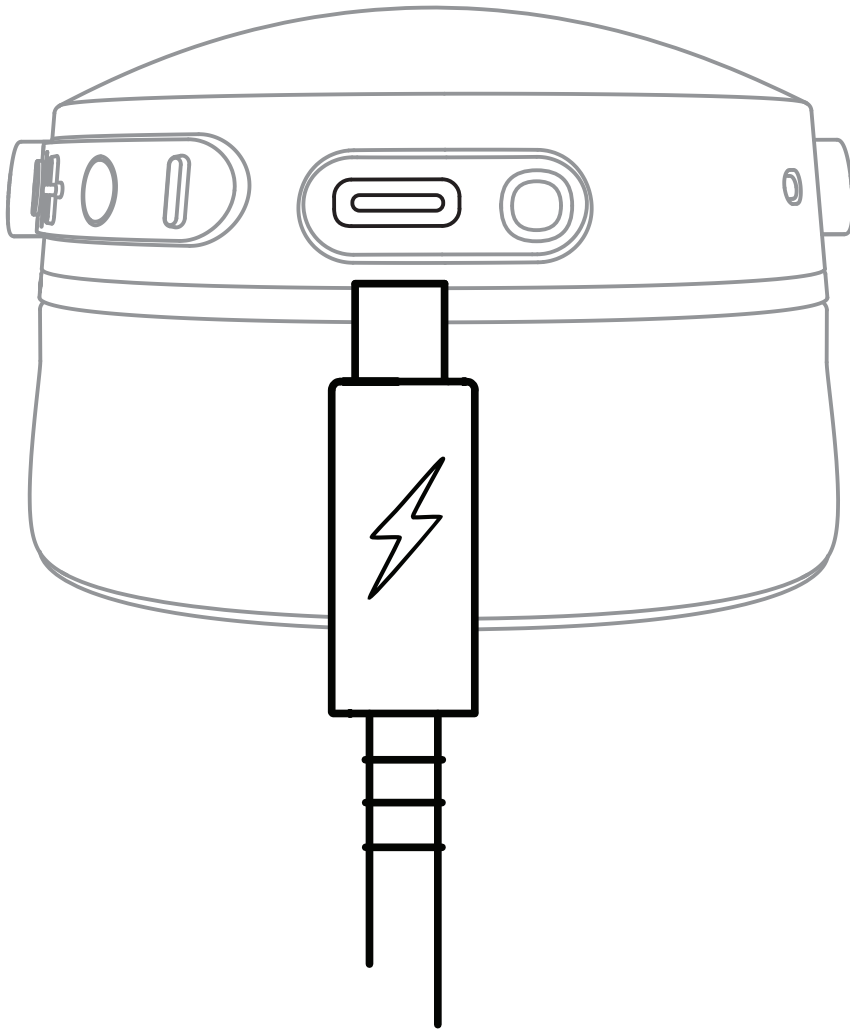
Activate Voice Assistant  
Activer l'Assistant Vocal  
Activar el Asistente de Voz  
Attivare Assistente Vocale  
Ativar Assistente de Voz  
Sprachassistenten  
Aktivieren  
Stemhulp Activeren  
Aktivér Talestøtte  
Aktivoi ääniohjain  
Aktiver Taleassistent  
Aktivera Röstassistent  
Активировать голосовой  
ПОМОЩНИК  
激活语音助理  
ボイスアシスタント  
を起動する  
음성 인식 가동화  
ةي ت و ص ل ا ة د ع ا س م ل ا ط ي ش ن ت

# Charge



Charge  
Charge  
Cargar  
Carica  
Carregar  
Aufladen  
Opladen  
Oplad  
Lataus  
Lading  
Ladda  
Зарядка  
充电  
充電  
충전  
نحشلا

# Rapid Charge: 10 minutes = 3 hours



Rapid Charge:

10 minutes = 3 hours

Charge Rapide:

10 minutes = 3 heures

Carga Rápida:

10 minutos = 3 horas

Carica rapida:

10 minuti = 3 ore

Carregamento Rápido:

10 minutos = 3 horas

Schnelles Aufladen:

10 Minuten = 3 Stunden

Snelladen: 10 minuten = 3 uur

Hurtig Opladning:

10 minutter = 3 timer

Pikalataus:

10 minuuttia = 3 tuntia

Hurtiglading:

10 minutter = 3 timer

Snabbladdning:

10 minuter = 3 timmar

Быстрая зарядка:

10 минут = 3 часов

快速充电 : 10 分钟 = 3 小时

高速充電 : 10 分 = 3 時間

새 장치 페어링

تاعاس 3 = قئاقد 10 : عيرس نحش

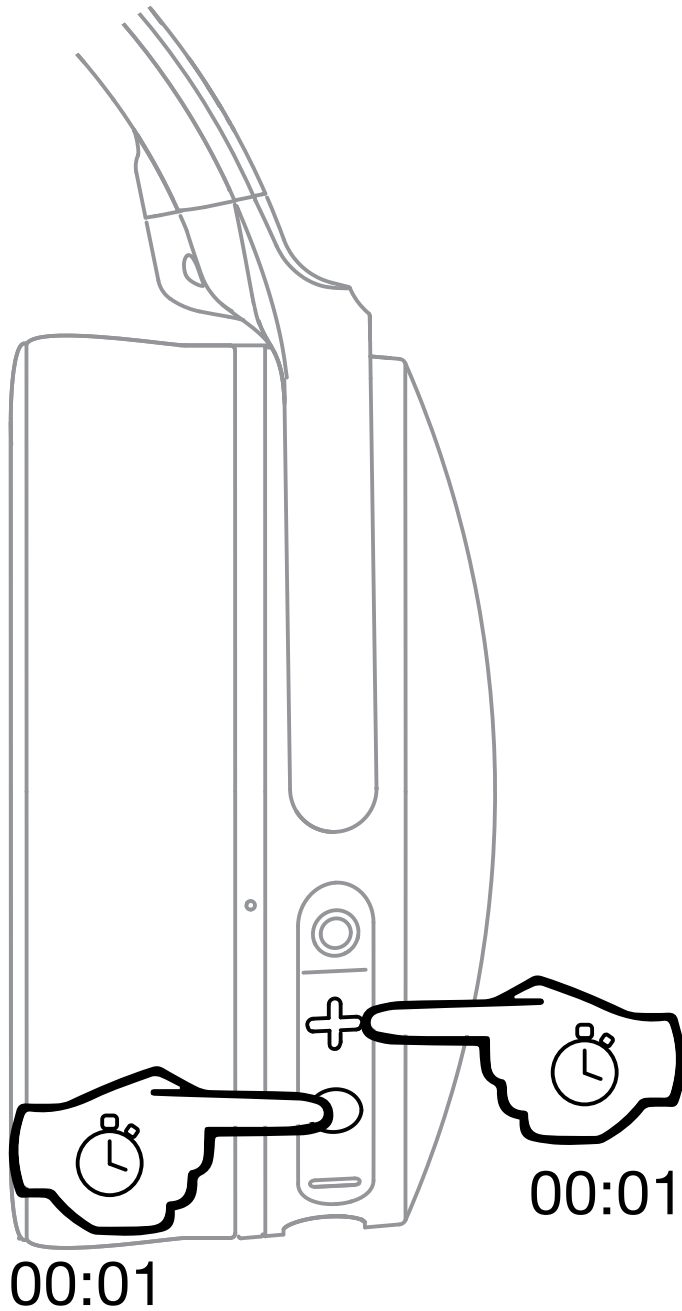


# Tile™ Enabled: Download the App



Download the Tile™ App  
Télécharger l'app Tile™  
Descargar la Aplicación Tile™  
Scaricare l'App Tile™  
Transfira a Aplicação Tile™  
Die Tile™-App Herunterladen  
De Tile™-app downloaden  
Download Tile™ App  
Lataa Tile™-sovellus  
Last ned Tile™-Appen  
Ladda ner Tile™-Appen  
Загрузить приложение Tile™  
下载 Tile™ 应用  
Tile™ アプリをダウンロードする  
Tile™ 앱 다운로드하기  
Tile™ قىببطت لىغشت

# Pair Tile™



Pair Tile™

Associer Tile™

Emparejar Tile™

Abbinare Tile™

Emparelhar Tile™

Tile™ koppeln

Met Tile™ koppelen

Par med Tile™

Muodosta Tile™-laittepari

Sammenkoblemed Tile™

Para Tile™

Привязать Tile™

配对 Tile™

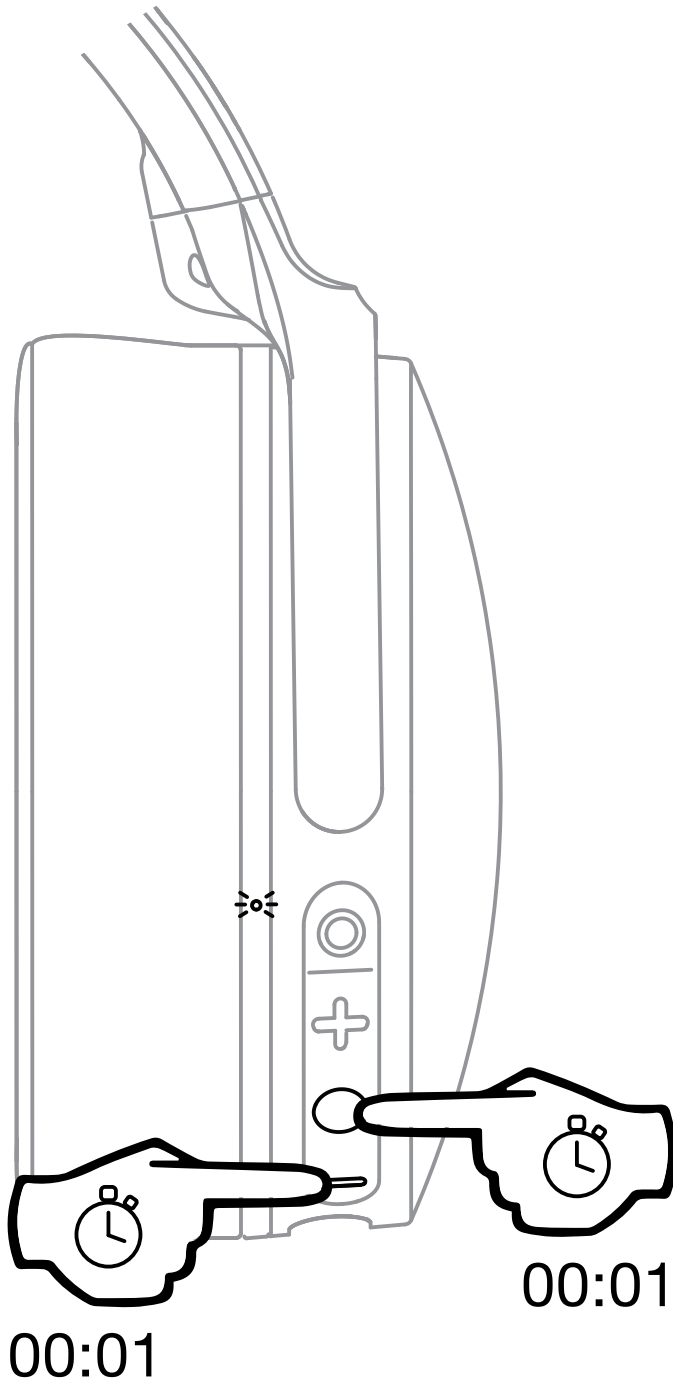
Tile™ をペアリングする

Tile™ 페어하기

نراق Tile™

# Clear Paired Device

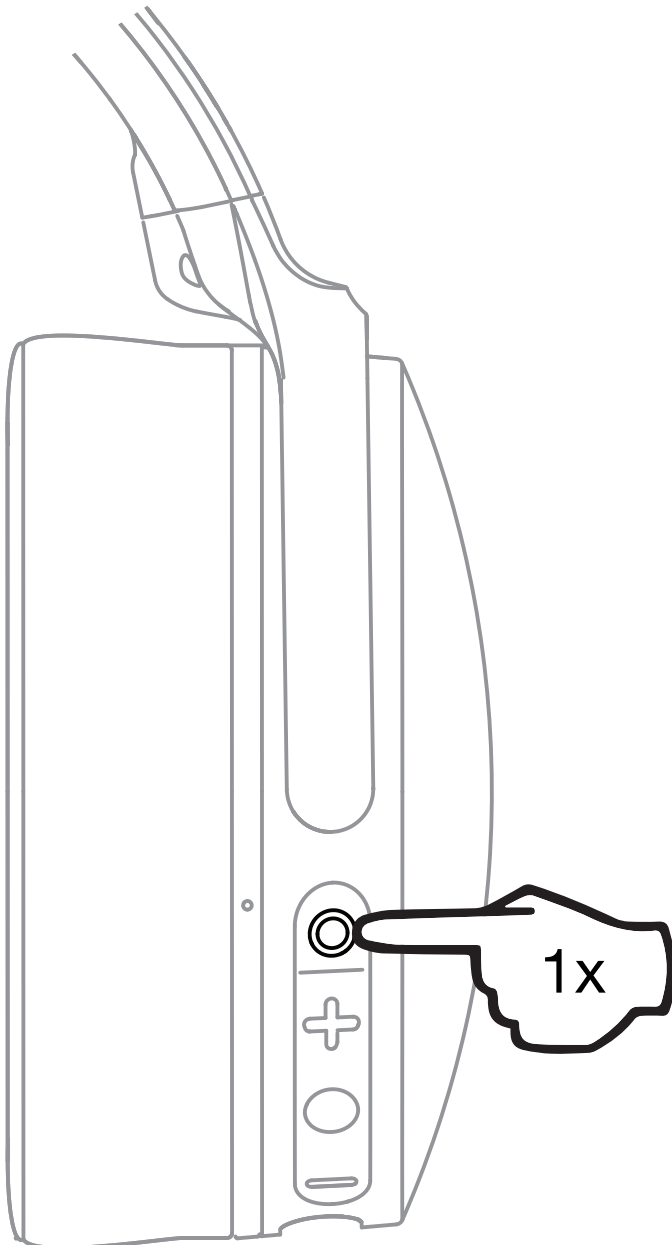
## Hold Together



Clear Paired Device  
Réinitialiser l'Appareil  
Reiniciar el Dispositivo  
Ripristina Dispositivo  
Reinicie o Dispositivo  
Rückstalleinrichtung  
Reset het Apparaat  
Nulstil Enhed  
Nollaa Laite  
Nulstil Enhed  
Återställ Enhet  
Сброс устройства  
重置设备  
デバイスをリセット  
기기 재설정  
زاهجلا طبض ةداع!

# Noise Cancellation

\*On and \*Off



Active Noise Canceling  
(ANC) On/Off

Suppression Active du Bruit  
(SAB) Activée/Désactivée

Cancelación Activa del Ruido  
(ANC) Encendida/Apagada

Cancellazione attiva del rumore  
accesa/spenta

Cancelamento de Ruído Ativo  
(ANC) Ligado/Desligado

Aktive Geräuschunterdrückung  
(ANC) ein/aus

Ruisonderdrukking uitschakelen  
(ANC) på/av

Aktivér Støjundertrykkelse  
(ANC) på/av

Aktivoi Melunvaimennus  
(ANC) päällä/Pois Päältä

Aktiv Støykansellering (ANC) på/av  
Aktiv Brusreducering (ANC) På/Av

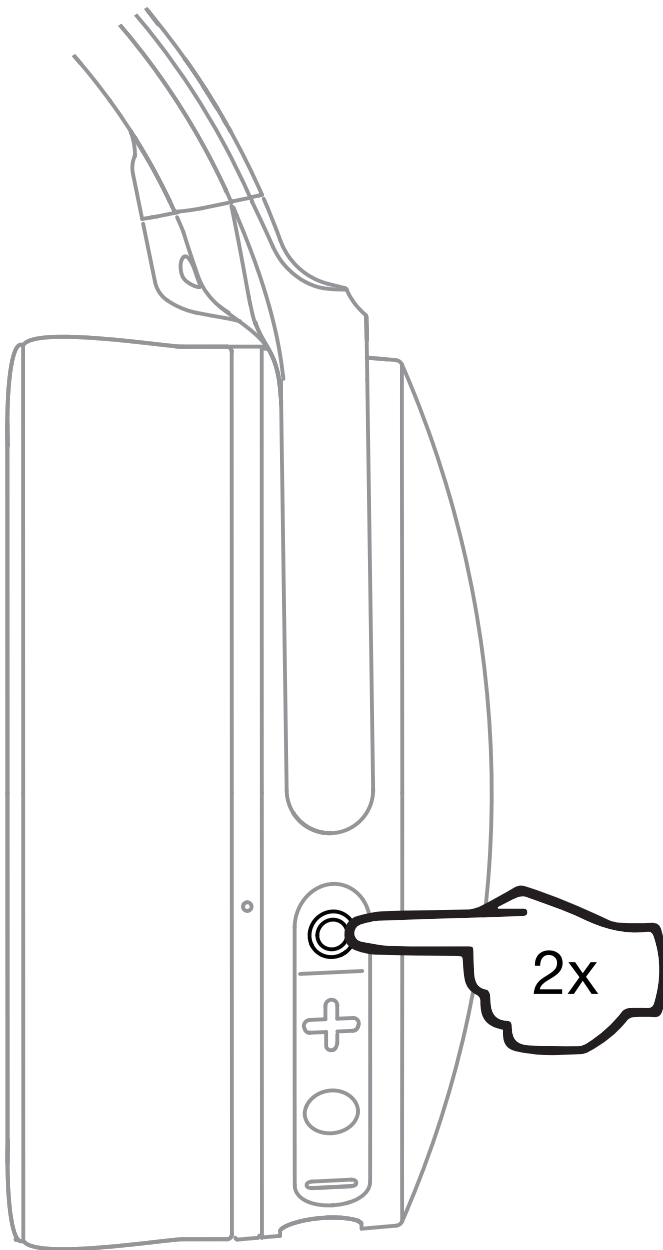
Вкл. активное шумоподавление  
主动降噪功能 (ANC) 开/关

アクティブノイズキャンセリング  
(ANC) オンオフ

능동 소음 제어 (ANC) 켜짐/꺼짐

ةطشننلا ءاضوضلا ءاغلل ليغشت (ANC)

# Ambient Mode



Ambient mode  
Mode ambient  
Modo ambiente  
Modalità ambiente  
Modo ambiente  
Umgebungsmodus  
Omgevingsmodus  
Omgivelsestilstand  
Ympäristön tila  
Omgivelsesmodus  
Omgivningsläge  
Окружающий режим  
環境模式  
アンビエントモード  
주변 모드  
طرحم لاء عرض ولاء

Questions Visit: [www.skullcandy.com](http://www.skullcandy.com)

Si vous avez des questions, allez sur : [www.skullcandy.com](http://www.skullcandy.com)

Si tienes dudas, visita: [www.skullcandy.com](http://www.skullcandy.com)

Domande Visitare il sito: [www.skullcandy.com](http://www.skullcandy.com)

Fazer perguntas: [www.skullcandy.com](http://www.skullcandy.com)

Fragen Besuch: [www.skullcandy.com](http://www.skullcandy.com)

Voor vragen bezoek: [www.skullcandy.com](http://www.skullcandy.com)

For spørsmål se: [www.skullcandy.com](http://www.skullcandy.com)

Vastauksia löytyy: [www.skullcandy.com](http://www.skullcandy.com)

For spørsmål, besøk: [www.skullcandy.com](http://www.skullcandy.com)

Vid frågor, besök: [www.skullcandy.com](http://www.skullcandy.com)

Если у вас возникнут вопросы, посетите: [www.skullcandy.com](http://www.skullcandy.com)

如有问题请访问 : [www.skullcandy.com](http://www.skullcandy.com)

質問がある場合はこちらをご覧ください: [www.skullcandy.com](http://www.skullcandy.com)

문의 사항: [www.skullcandy.com](http://www.skullcandy.com)

[www.skullcandy.com](http://www.skullcandy.com): ةراي زب ل ضفت ,تالؤاست ي أ ك يدل ناك اذ : [www.skullcandy.com](http://www.skullcandy.com)

## ISED Statement

This device contains licence-exempt transmitter(s) / receiver(s) that comply with Innovation, Science and Economic Development Canada's licence-exempt RSS(s). Operation is subject to the following two conditions:

(1) This device may not cause interference.

(2) This device must accept any interference, including interference that may cause undesired operation of the device.

L'émetteur / récepteur exempt de licence contenu dans le présent appareil est conforme aux CNR d'Innovation, Sciences et Développement économique Canada applicables aux appareils radio exempts de licence. L'exploitation est autorisée aux deux conditions suivantes:

(1) L'appareil ne doit pas produire de brouillage; (2) L'appareil doit accepter tout brouillage radioélectrique subi, même si le brouillage est susceptible d'en compromettre le fonctionnement.

## The FCC Compliance Statement

This device complies with part 15 of the FCC Rules. Operation is subject to the following two conditions: (1) This device may not cause harmful interference, and (2) this device must accept any interference received, including interference that may cause undesired operation. Changes or modifications not expressly approved by the party responsible for compliance could void the user's authority to operate the equipment. This equipment has been tested and found to comply with the limits for a Class B digital device, pursuant to part 15 of the FCC Rules. These limits are designed to provide reasonable protection against harmful interference in a residential installation. This equipment generates, uses and can radiate radio frequency energy and, if not installed and used in accordance with the instructions, may cause harmful interference to radio communications. However, there is no guarantee that interference will not occur in a particular installation. If this equipment does cause harmful interference to radio or television reception, which can be determined by turning the equipment off and on, the user is encouraged to try to correct the interference by one or more of the following measures:

- Reorient or relocate the receiving antenna.
- Increase the separation between the equipment and receiver.
- Connect the equipment into an outlet on a circuit different from that to which the receiver is connected.
- Consult the dealer or an experienced radio/TV technician for help.

(1) 이 기기는 가정용으로 전자파적합등록을 한 기기로서 주거지역에서는 물론 모든 지역에서 사용할 수 있습니다.

(2) 당해 무선설비는 전파혼신 가능성이 있으므로 인명안전과 관련된 서비스는 할 수 없음.

根據NCC低功率電波輻射性電機管理辦法 規定:

(1)第十二條經型式認證合格之低功率射頻電機, 非經許可, 公司、商號或使用者均不得擅自變更頻率、加大功率或變更原設計之特性及功能。

(2)第十四條 低功率射頻電機之使用不得影響飛航安全及干擾合法通信;經發現有干擾現象時, 應立即停用, 並改善至無干擾時方得繼續使用。前項合法通信, 指依電信法規定作業之無線電通信。低功率射頻電機須忍受合法通信或工業、科學及醫療用電波。




## ISED SAR Statemen

This equipment complies with ISED radiation exposure limits set forth for an uncontrolled environment. End user must follow the specific operating instructions for satisfying RF exposure compliance. This transmitter must not be co-located or operating in conjunction with any other antenna or transmitter.

The portable device is designed to meet the requirements for exposure to radio waves established by the ISED. These requirements set a SAR limit of 1.6 W/kg averaged over one gram of tissue. The highest SAR value reported under this standard during product certification for use when properly worn on the head.

Cet équipement est conforme aux limites d'exposition aux rayonnements ISED établies pour un environnement non contrôlé. L'utilisateur final doit suivre les instructions spécifiques pour satisfaire les normes. Cet émetteur ne doit pas être co-implanté ou fonctionner en conjonction avec toute autre antenne ou transmetteur. Le dispositif portatif est conçu pour répondre aux exigences d'exposition aux ondes radio établie par le développement énergétique DURABLE. Ces exigences un SAR limite de 1,6 W/kg en moyenne pour un gramme de tissu. La valeur SAR la plus élevée signalée en vertu de cette norme lors de la certification de produit à utiliser lorsqu'il est correctement porté sur le tête.



**EN** Skullcandy, , and other marks are registered trademarks of Skullcandy, Inc. All rights reserved. **FR** Skullcandy, , et les autres marques sont des marques déposées de Skullcandy, Inc. Tous droits réservés. **ES** Skullcandy, , y las demás marcas son marcas registradas de Skullcandy, Inc. Todos los derechos reservados.

**EN** Speaker Driver: 40mm, Impedance: 32 Ohms, THD <3%@50Hz -8KHz, Voltage Regulation: 3.7v, Bluetooth 5.0, Frequency Band: 2.402GHz – 2.480GHz, Maximum Power: 6.5dBm, Weight: 228g. **FR** Driver Président: 40mm, Impédance: 32 Ohms, THD <3% à 50Hz-8KHz, Tension: 3.7v, Bluetooth 5.0, Bande de fréquence: 2.402GHz – 2.480GHz, Puissance Maximum: 6.5dBm, Poids: 228g. **ES** Controlador del altavoz: 40mm, Impedancia: 32 Ohms, THD <3% a 50Hz -8KHz, Voltaje: 3.7v, Bluetooth 5.0, Banda de frecuencia: 2.402GHz – 2.480GHz, Poder Maximo: 6.5dBm, Peso: 228g. **DE** Lautsprecher -Treiber: 40mm, Impedanz: 32 Ohm, THD <3% bei 50Hz-8KHz, Spannungsregelung: 3,7 V, Bluetooth 5.0, Frequenzband: 2.402GHz – 2.480GHz, Maximale Leistung: 6.5dBm, Gewicht: 228g. **JP** スピーカードライバー : 40ミリメートル, インピーダンス : 32オーム, THD<3%@50Hz -8KHzの, 電圧レギュレーション : 3.7Vの, のBluetooth 5.0, 周波数帯: 2.402GHz – 2.480GHz, 最大功率: 6.5dBm, 重量 : 228グラム。 **ZH** 扬声器驱动器 : 40毫米, 阻抗 : 32欧姆, THD <3%@50Hz-8KHz, 电压调节 : 3.7V, 蓝牙5.0, 频带: 2.402GHz – 2.480GHz, 最大電力: 6.5dBm, 重量 : 228克。

**EN** Contains Li-ion battery. Battery must be recycled or disposed of properly.

**FR** Contient une batterie Li-ion. La batterie doit être recycle ou jet s correctement.

**ES** Contiene una batería Li-ion. La batería debe ser reciclada o desechada adecuadamente.

**EN** Made in China.

**FR** Fabrique en Chine.

**ES** Hecho en China.

**ZH** 中国制造

**Hesh ANC**


**MODEL:** S6HHW


**IC:** 10486A-S6HHW

**FCC ID:** Y22-S6HHW

**HW Version:** V03

**FW Version:** v0.4.10

 R-C-Sku-S6HHW

 <sup>®</sup> 018-200233



Americas  
Skullcandy, Inc.  
6301 N Landmark Dr.  
Park City, UT 84098 U.S.A.  
**Skullcandy.com**

Europe  
Skullcandy Europe BV  
Postbus 425  
5500AK Veldhoven Nederland  
**Skullcandy.eu**

Canada  
Skullcandy Canada ULC  
329 Railway St. Unit 205  
Vancouver, BC. V6A 1A4 Canada  
**Skullcandy.ca**

México  
Skullcandy Mexico S de RL de CV  
Aristoteles 218  
Polanco IV Seccion, Miguel Hidalgo  
11550, México City, México  
**Skullcandy.mx**

Japan/日本  
Skullcandy Japan合同会社  
〒150-0001 東京都渋谷区神宮前  
5-17-11 パークサイドオーサキ2階  
Skullcandy Japanカスタマーサービス  
商品についてのお問い合わせはこちら  
**Skullcandy.jp**

