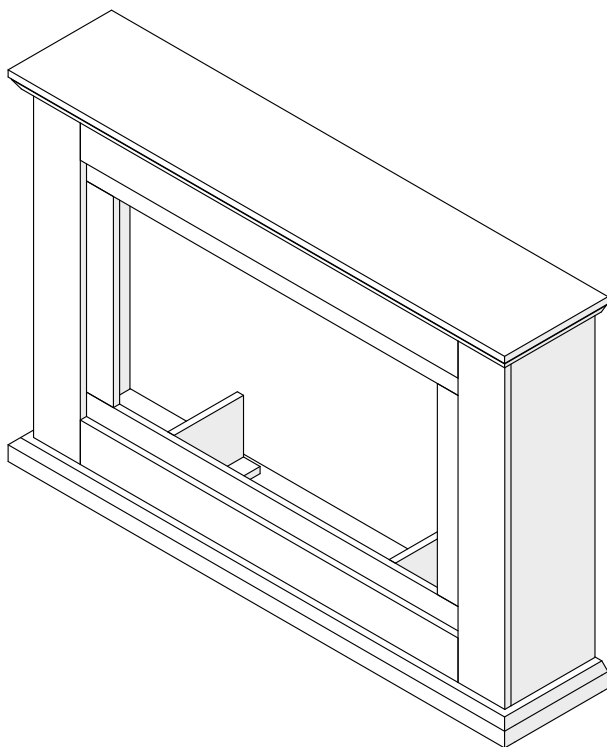


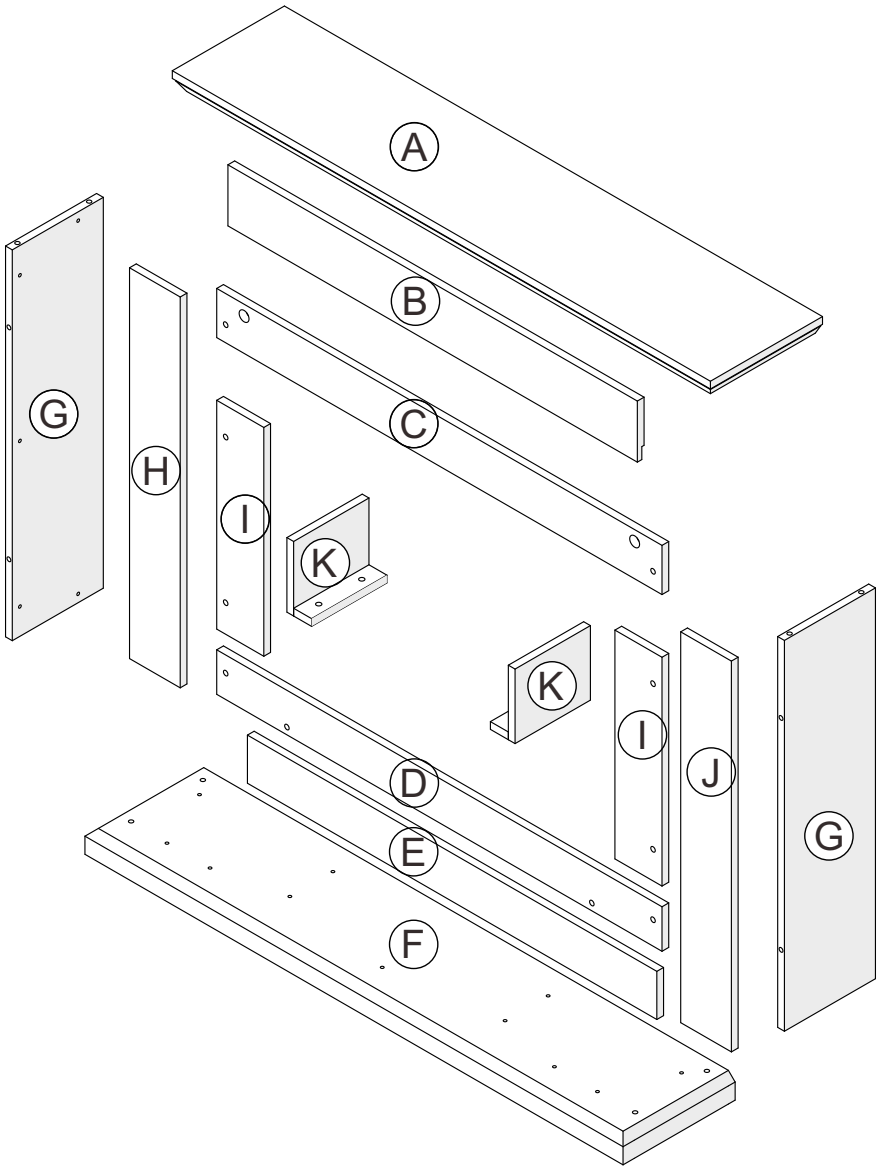
FIREPLACE MANTEL

ASSEMBLY INSTRUCTIONS

MT380A



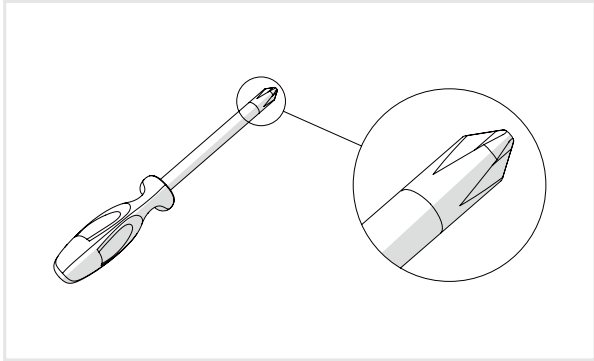
PARTS LIST


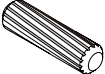
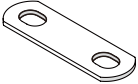



PARTS AND ACCESSORIES

Tools required:

A screwdriver will be needed.

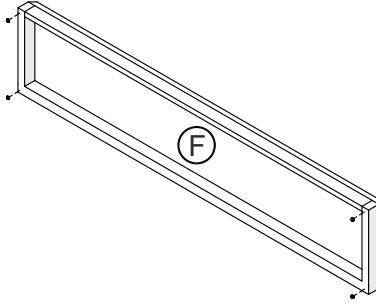


 49 x M6x12mm	 15 x M6x28mm	 13 x ø 8x30mm
 15 x	 21 x	 5 x
 6 x		

ASSEMBLY INSTRUCTIONS

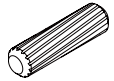
01

4x

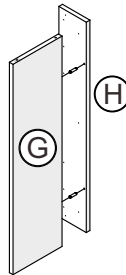
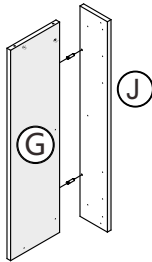


02

4x

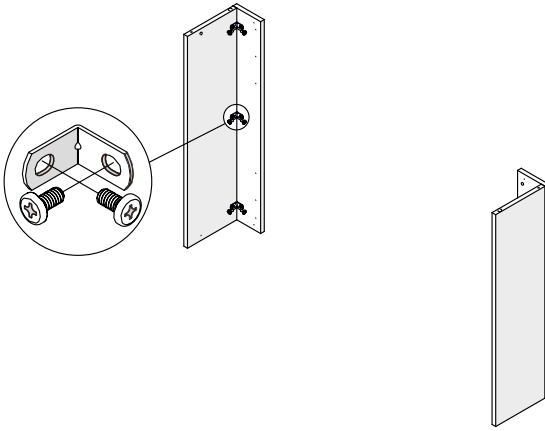


ø 8x30mm



Carry out this assembly step on both sides

03



12x



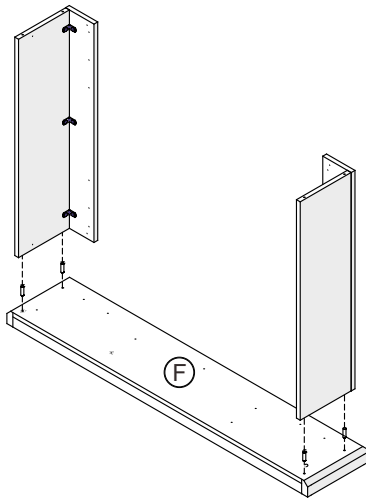
M6x12mm

6x

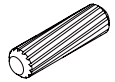


Carry out this assembly step on both sides

04



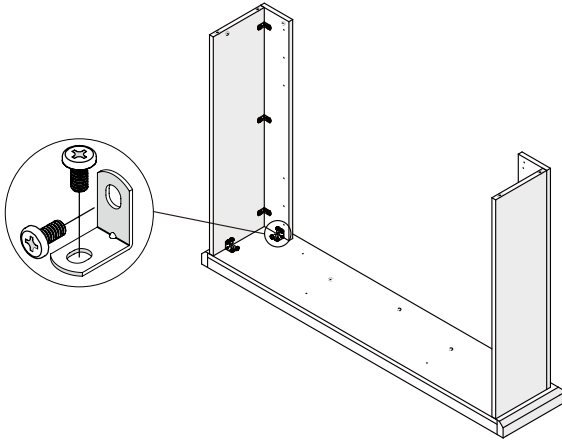
4x



ø 8x30mm

Carry out this assembly step on both sides

05



8x



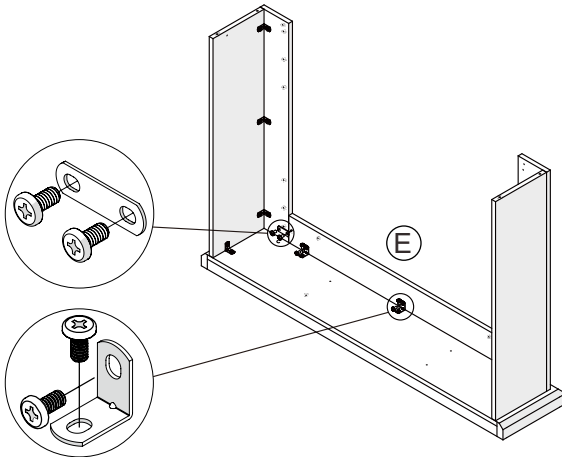
M6x12mm

4x



Carry out this assembly step on both sides

06



10x

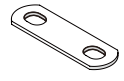


M6x12mm

3x

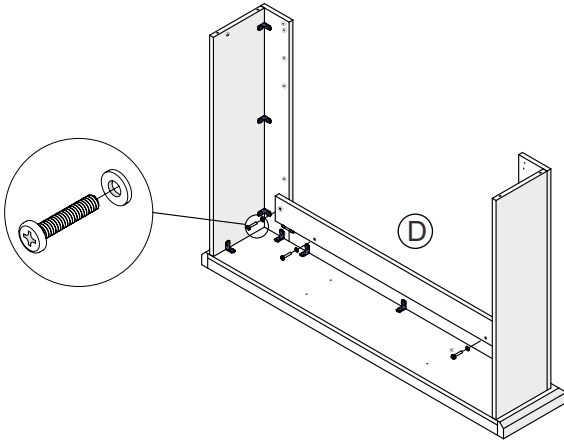


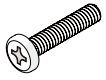

2x



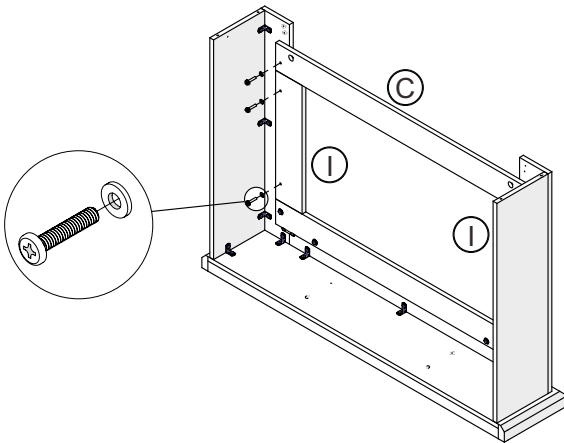
Carry out this assembly step on both sides

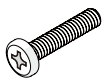

07



4x	
M6x28mm	
4x	

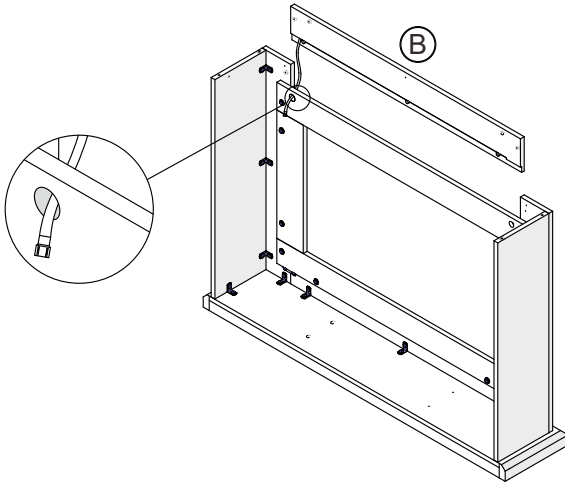
08



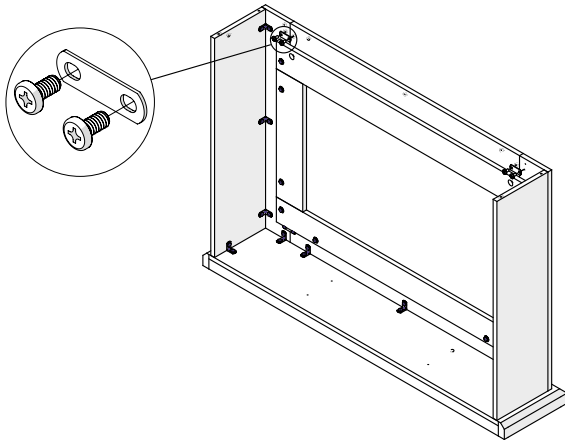
6x	
M6x28mm	
6x	


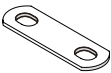
Carry out this assembly step on both sides

09



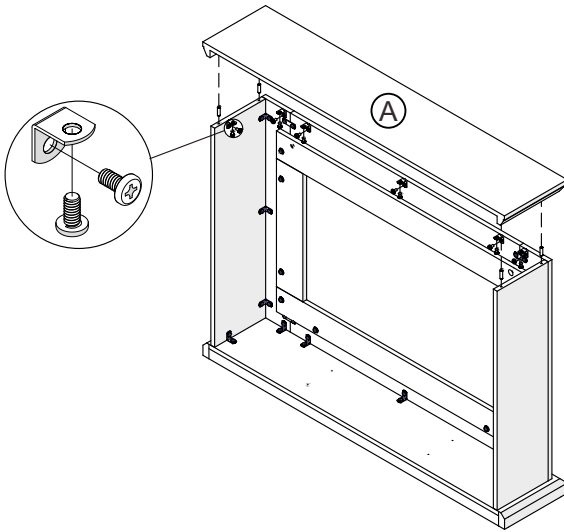
10



4x	
M6x12mm	
2x	

Carry out this assembly step on both sides

11



14x

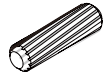


M6x12mm

7x



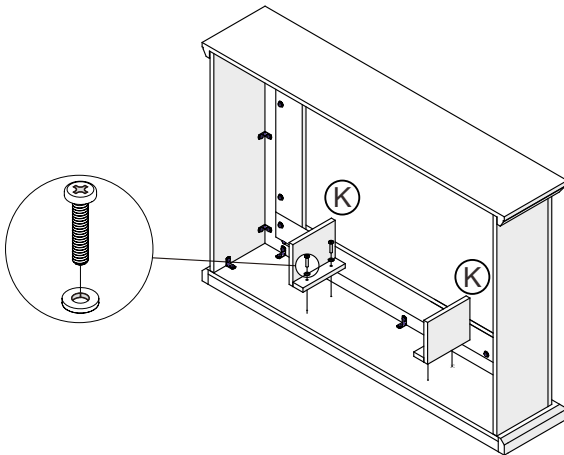
4x



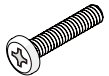
ø 8x30mm

Carry out this assembly step on both sides

12



4x



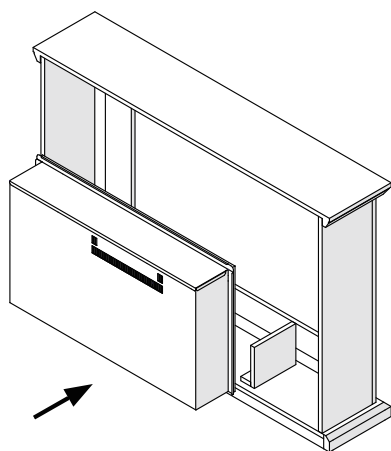
M6x28mm

4x



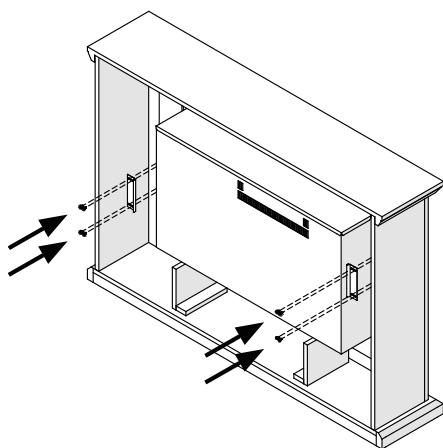
Carry out this assembly step on both sides

13



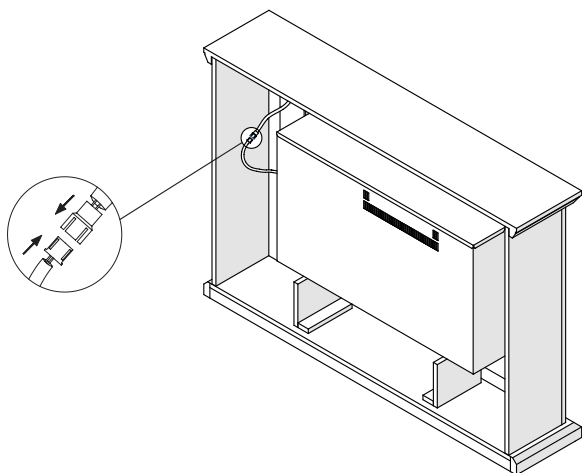
Rear side of the mantel

14



Use 8 pcs ST3.5x12 screws

15



Connect the Mood Light
