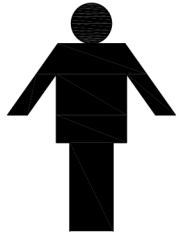
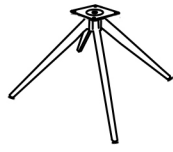


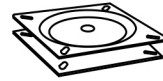
ASSEMBLY INSTRUCTIONS



①. 1X



②. 1X



③. 1X



Ⓐ. M6x12
4x



Ⓑ. M6x16
2x



Ⓒ. M6x20
2x



Ⓓ. M6
4x



Ⓔ. $\varnothing 16 \times 1.2$
12x

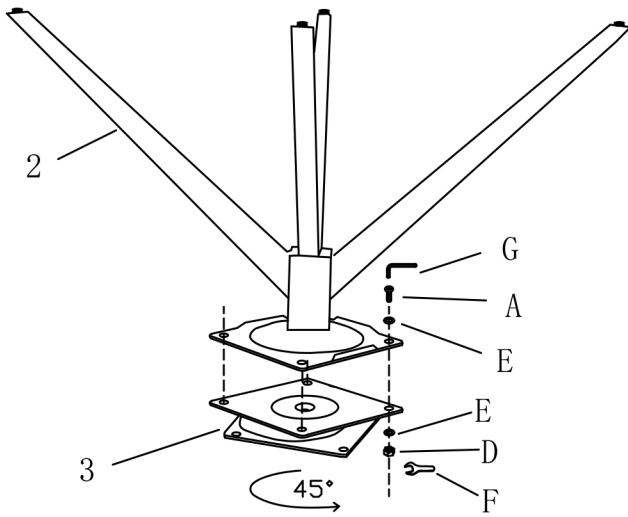


Ⓕ. M6
1x

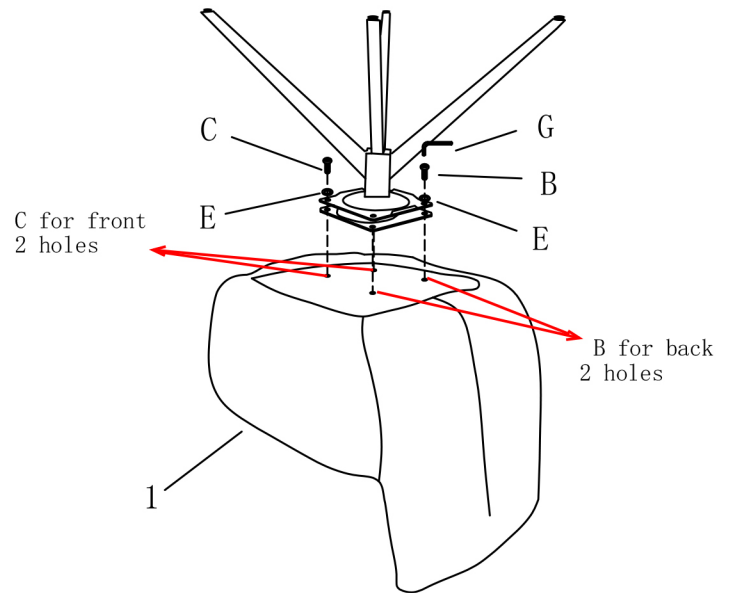


Ⓖ. 4.0*59
1x

1



2



3

