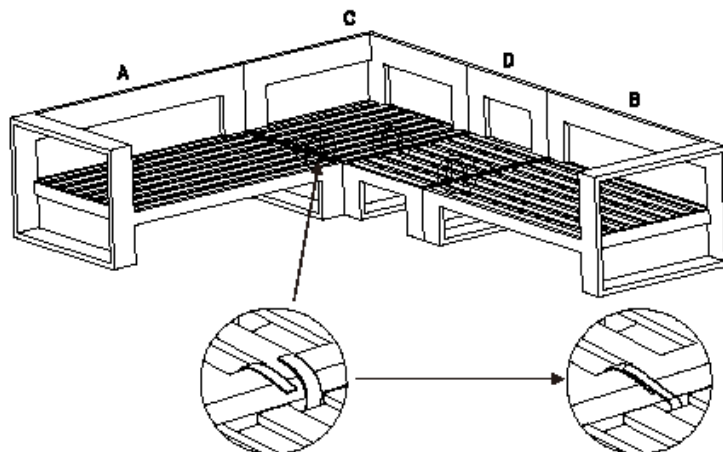


# ASSEMBLY INSTRUCTIONS



NO.	Picture	Name	Qty
A		Left Sofa	1
B		Right Sofa	1
C		Corner Sofa	1
D		Single Sofa	1