

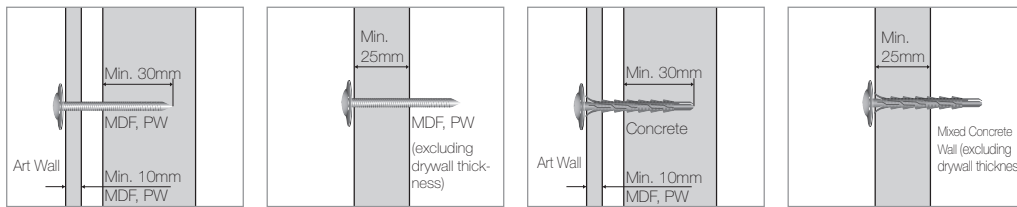
Wall Mount Installation Precautions

- Use the provided accessories and parts to install the wall mount.
- Install on a vertically flat wall surface only.
- Avoid the following areas to ensure the best product performance and prevent malfunctions:
 - Areas that are susceptible to vibration and impact: The product may fall and become damaged.
 - Next to fire sprinklers: Heat generated by the product may activate the sprinkler.
 - Near high-voltage cables: Electronic interference from the high voltage cables may disrupt the screen display.
 - Near heating appliances: The product may overheat and malfunction.
 - Check the stability of the wall surface.
 - If the wall is too weak, reinforce it before installing the mount.
- If you are installing the product on a non-concrete wall, seek advice from a professional installer before proceeding.
- The maximum weight of Signage (with its components attached) is 29kg for safe installation.
- The wall mount must not be installed tilted.
- Make sure to install the wall mount perpendicular to the floor.
- Make sure to install the safety screws to prevent the Signage from falling.
- Do not keep the Signage extended, except when you replace it.
- When the Signage is unlocked and extended for replacement, take care not to damage the devices and appliances nearby.
- When you install the Signage according to the Easy Installation Function (only available for SAMSUNG UD/UE Series), the Signage may not be installed exactly as set in the user manual. This discrepancy is mainly caused by tolerances. If this is the case, adjust the tolerance.
- Make sure to confirm the size of your Signage with the size of the corresponding wall mount. You can use the Easy Installation Function (only available for SAMSUNG UD/UE Series) as an installation guide only.
- Check the model of your Signage, the corresponding installation guide on the back, and the types of walls the Signage can be mounted on.

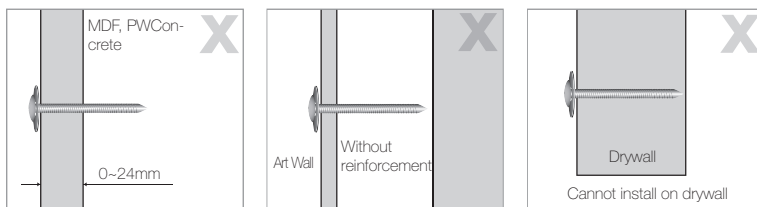
⚠ Check the type of the wall before installing.

Installation Requirements based on the Wall Type

- Can only be mounted on a concrete or interior wall of sufficient thickness. Refer to the diagrams below.



- Cannot be mounted on unreinforced walls or drywall surfaces.



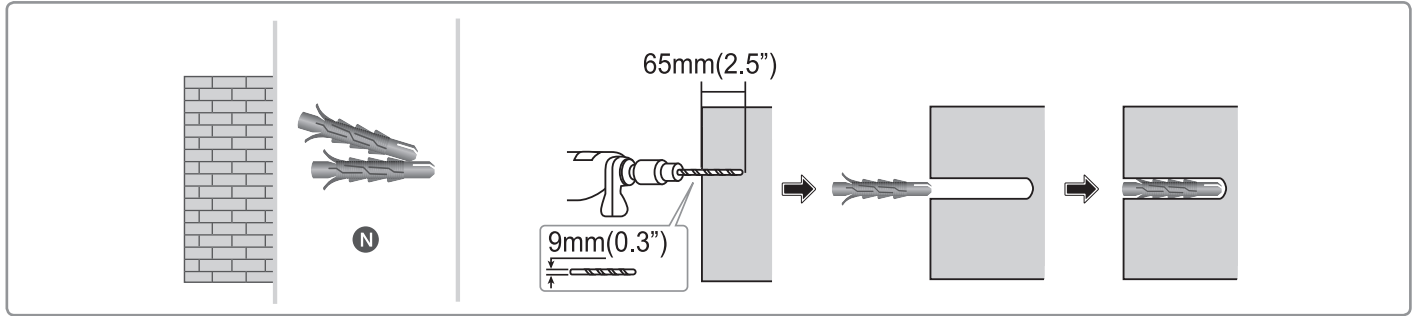
NOTE
MDF = Medium Density Fiberboard
PW = Plywood

Precautions for installing the wall mount

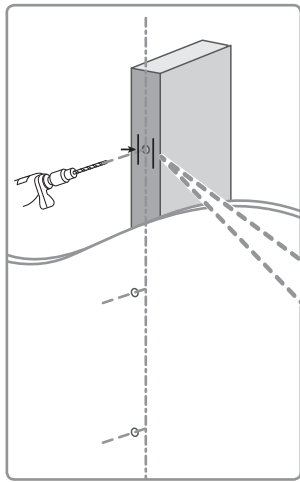
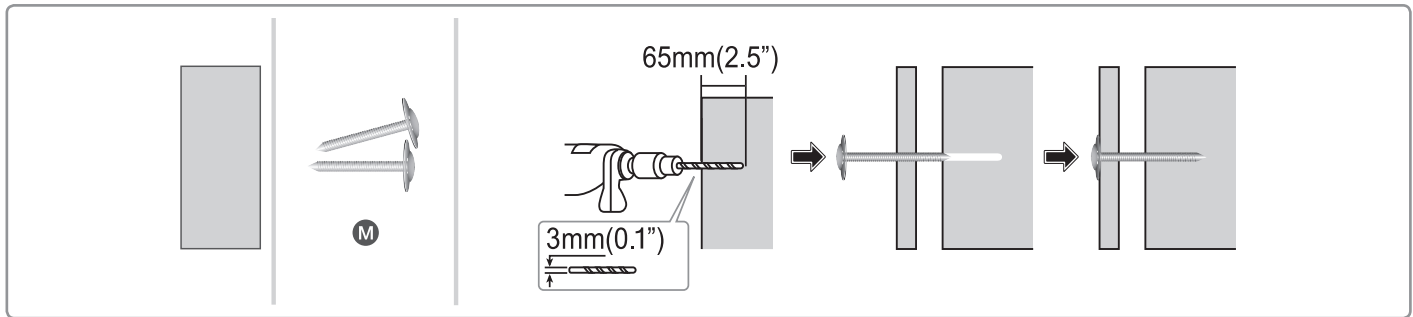
<p>1-1. Install the wall mount on a flat wall.</p>	<p>1-2. The Signage can be installed only either in portrait or landscape orientation. It cannot be installed tilted.</p>
<p>1-3. The Signage can only be installed perpendicular to the floor. It cannot be installed tilted.</p>	<p>1-4. Do not keep the Signage extended, except when it is replaced or serviced.</p>
	<p>1-5. Take care not to have your fingers get caught in the frames of the wall mount when they are moving to extend or shrink.</p>

Insert the anchors and screws where marked.

<Thick concrete or art wall>



<Plaster board + Stud wall>



Installation Requirements

- Check the location of the studs and then insert the screws.
 - Minimum Stud Size: 51 x 102 mm (2 x 4 in), Pre-drill 3mm holes before inserting the screws.
 - The holes must be drilled along the center axis of the studs.
 - Inserting the screws without predrilling can split the studs.
- ⚠ The manufacturer will not be responsible for any issue arising from failure to follow these installation instructions.

Safety instructions

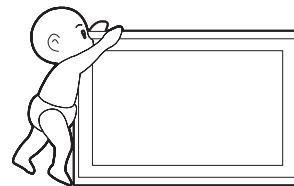
These safety instructions are intended to protect you and prevent property damage. Read them carefully and comply with these instructions. Failing to follow them may result in physical injury.

1. This product must be installed by a qualified technician assigned by the retailer. Install by a non-professional may result in physical injury or product damage.

If you want to move or replace the product after installation, contact the technician assigned by the retailer again.

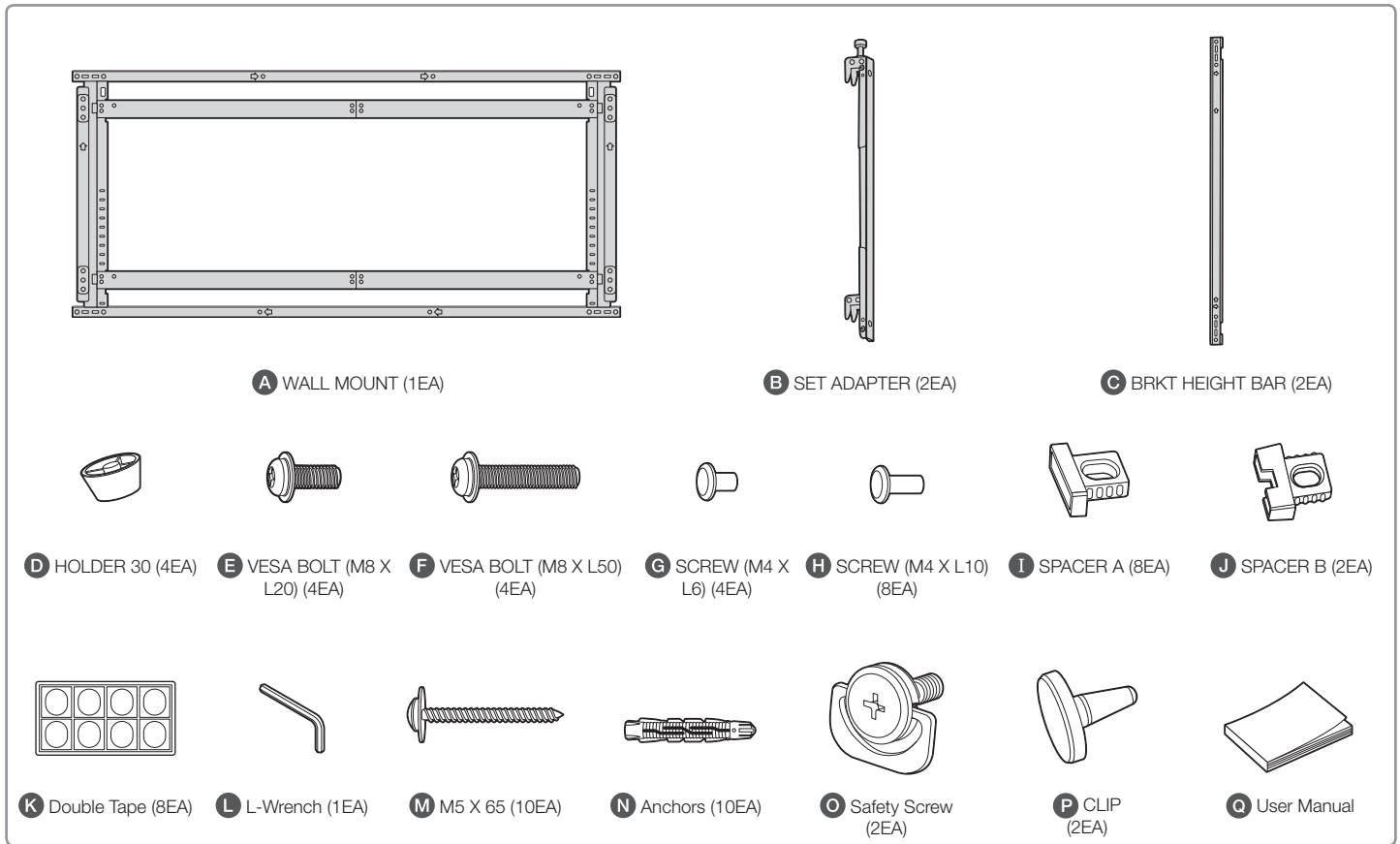


Do not hang from the installed product or apply force to it.

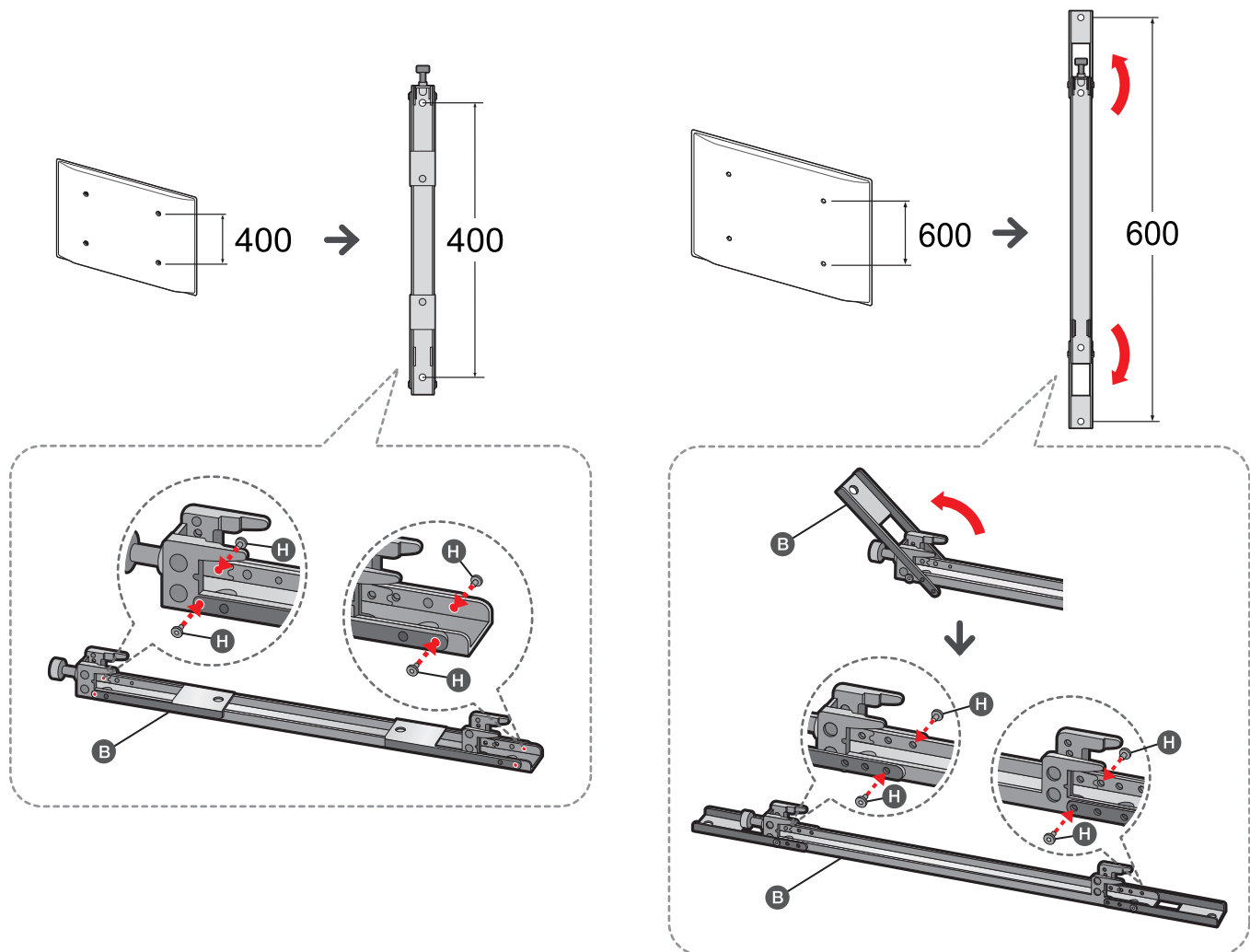


2. Do not let children play around the product without supervision. Children may bump their heads or bodies into the corners, resulting in injury.
3. Do not install the product on a wall that will not support its weight. The product may fall, resulting in physical injury or product damage.
4. Do not install the product under abnormal or non-standard site conditions. The product may be severely damaged. In these circumstances, contact a local Samsung service center. Keep the product away from dust, chemicals, high or low temperatures, humidity, and/or vehicle traffic.

Components / Installation Process

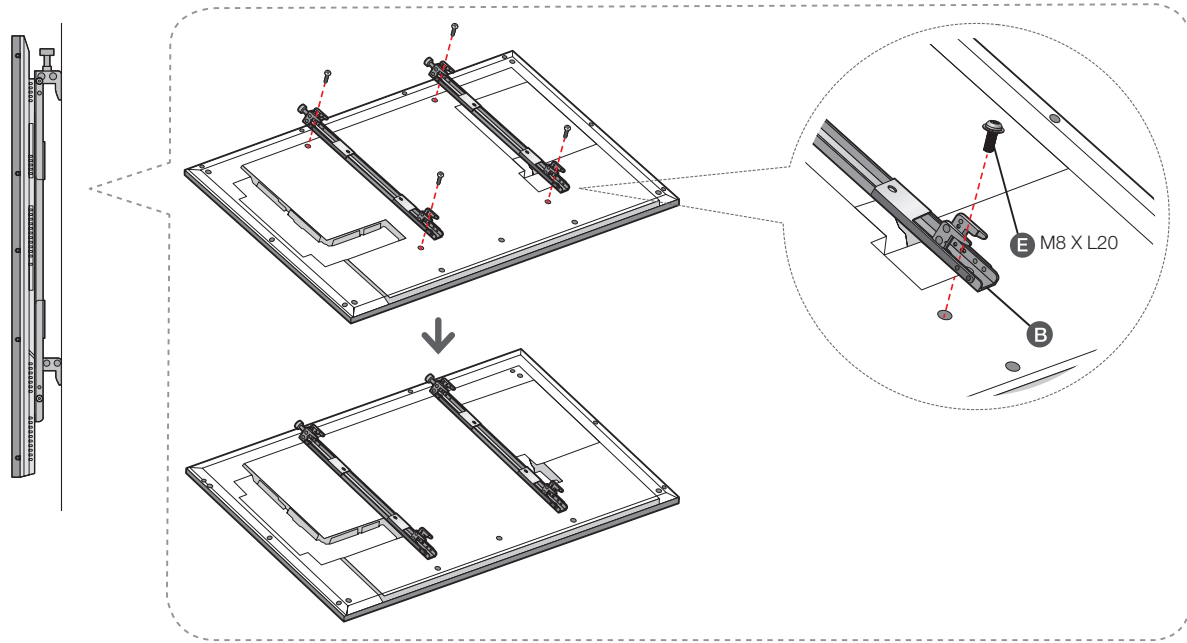


1. Installation Guide

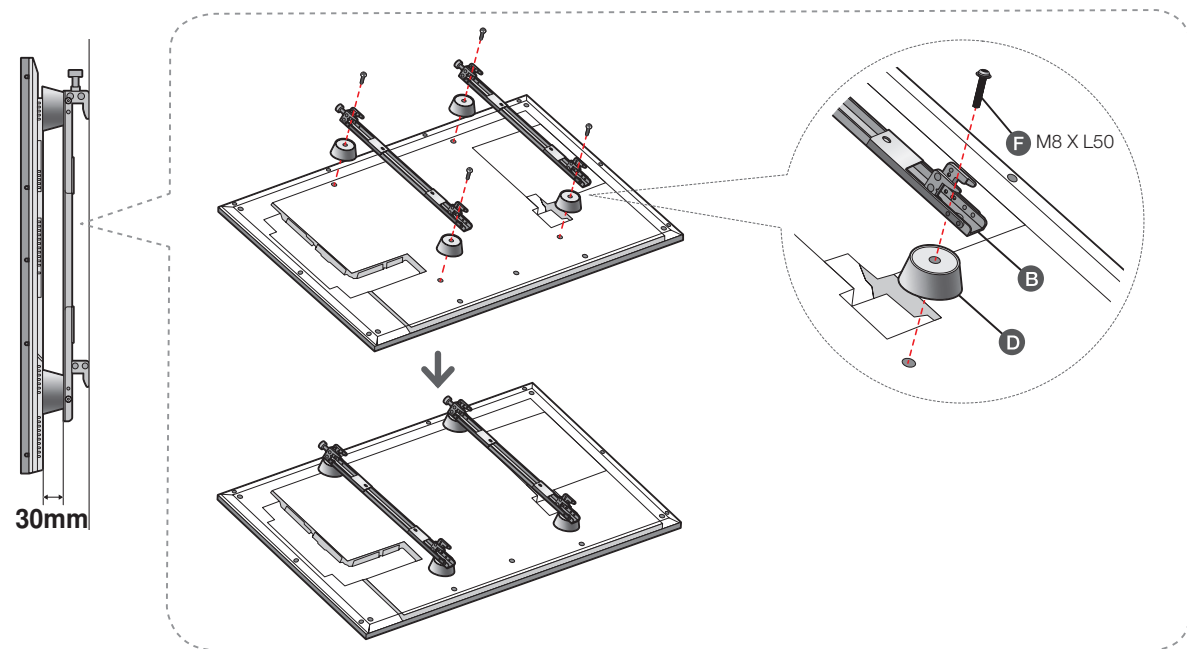


2. Assembly Adapter to Signage

I

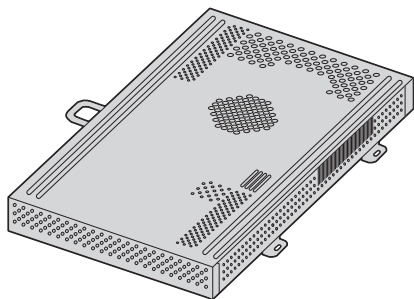


II

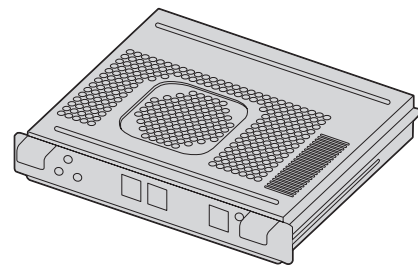


30mm

SBB



PIM

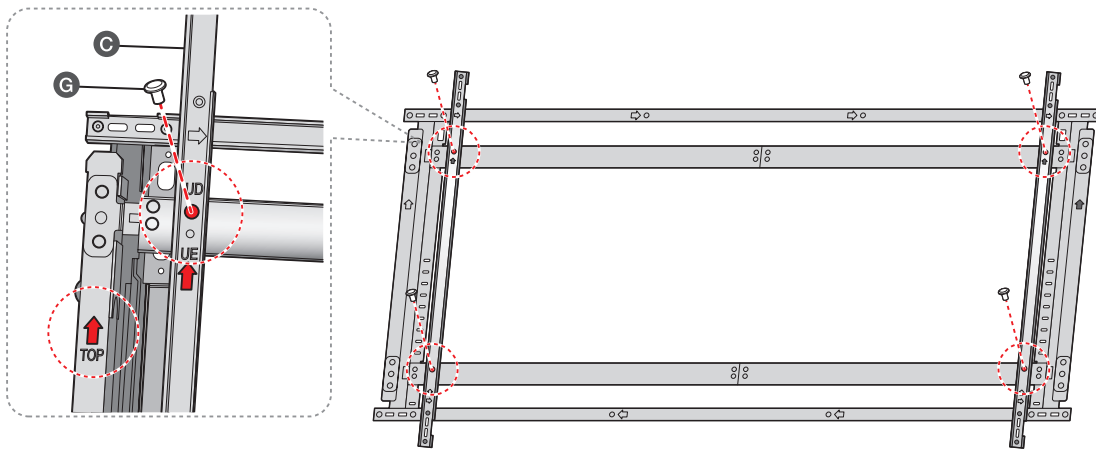
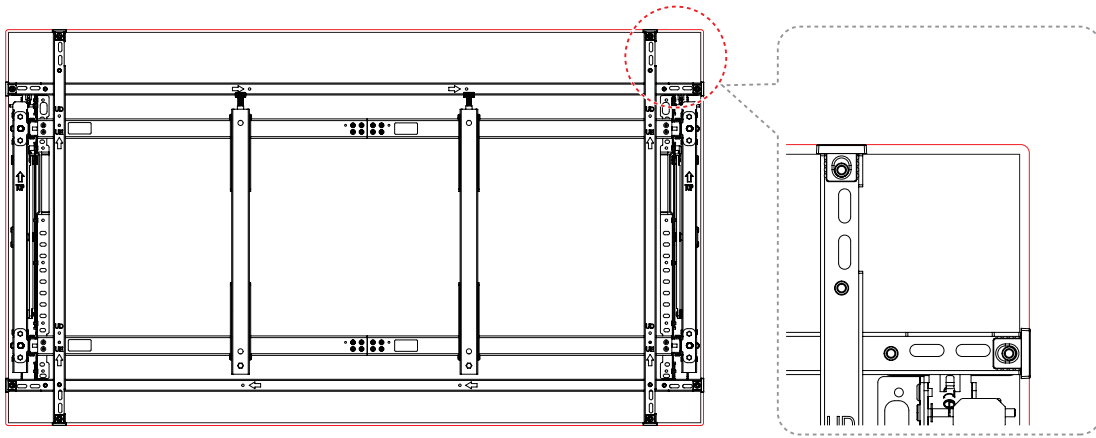


Use SBB or PIM / To ensure an additional gap (30mm) behind the wall mount, apply option II.
Maximum load for safety: 30kg

3. Easy Installation Function - only for SAMSUNG UD/UE Series : Wall mount size = Signage size

■ For UE/UD Series

△ The spacers (I, J) are only applicable to the UE Series.

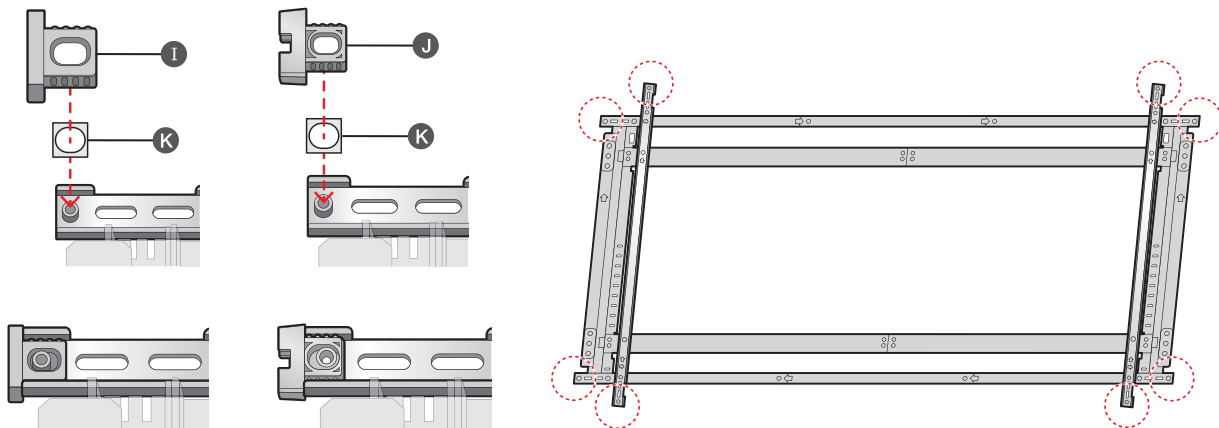


If you are using a different Signage model, skip this step and proceed to the next one.

Use the screw (G) to attach the component (C). Where to attach the components differs with whether you are using the UE or UD model. (TOP direction : See the arrows. How to determine where to attach the components: See the model names (UD or UE) on the wall mount.)

■ For Only UE Series

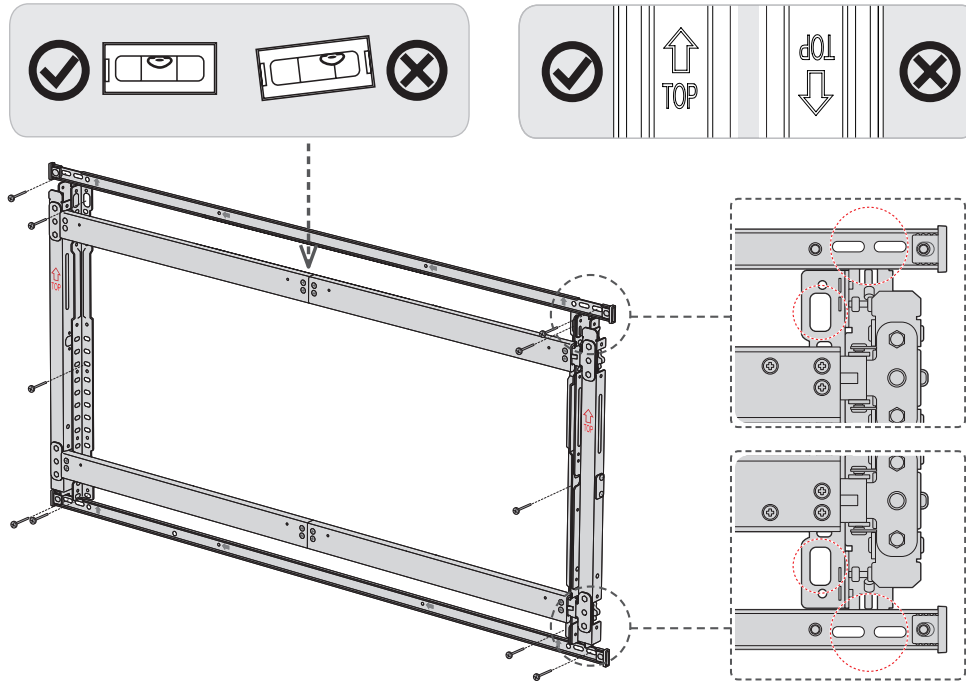
Refer to the appended diagrams for assembly specifications for each model.



Use the tape (K) to attach the components (I) and (J), according to the specifications for your Signage model.

4. Installing the Wall Mount on the Wall

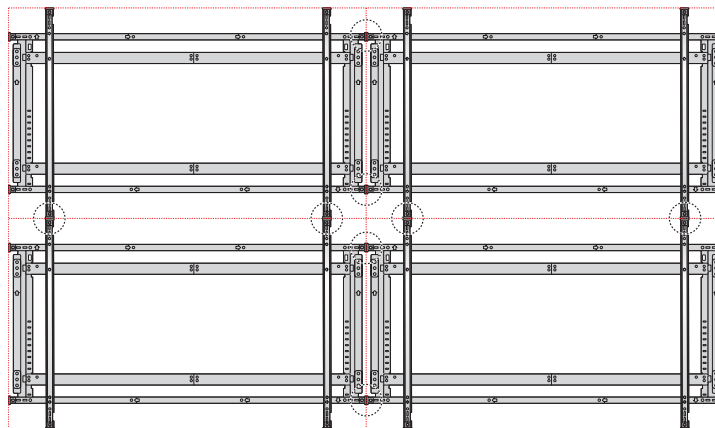
△ Refer to installation requirements for the wall mount in the user manual.



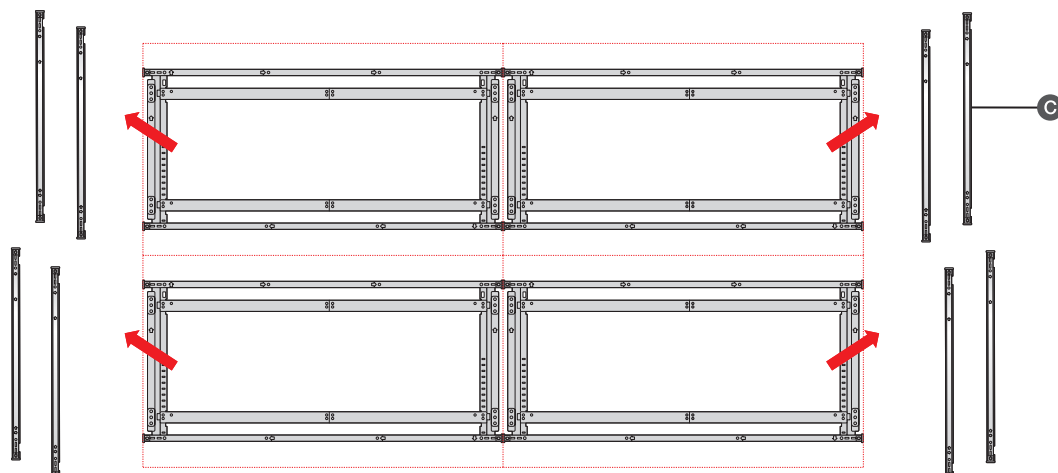
5. Layout the wall Mount

- Easy Installation Function - only for SAMSUNG UD/UE Series

1



2



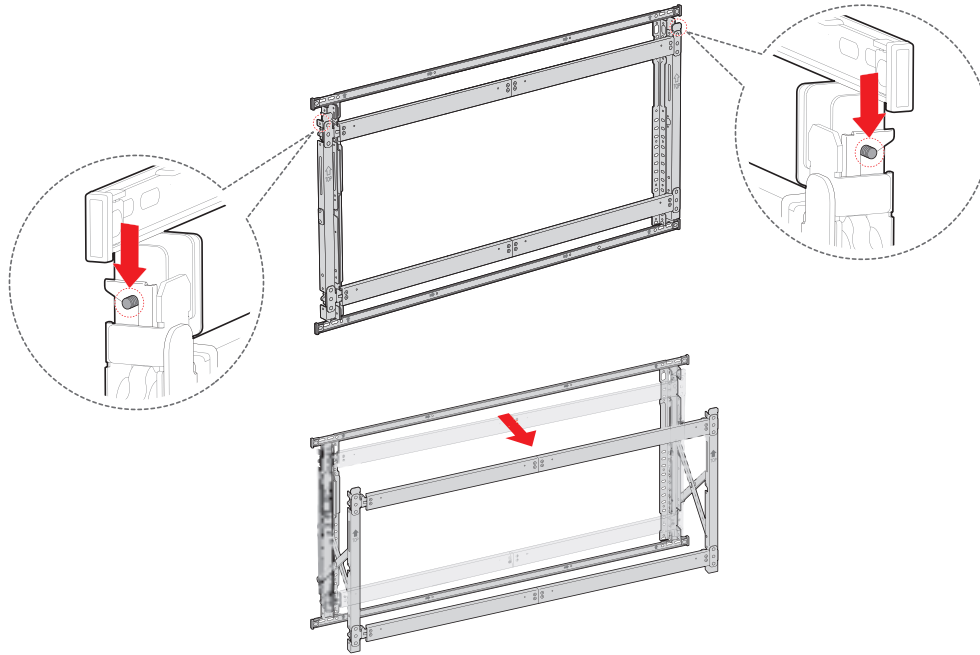
If you are using a different Signage model, skip this step and proceed to the next one.

1. Install the wall mounts according to the size of the wall mount corresponding to the size of your Signage. Refer to the appended diagrams for the shape of each corner.

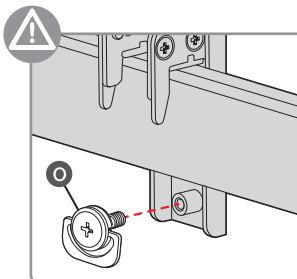
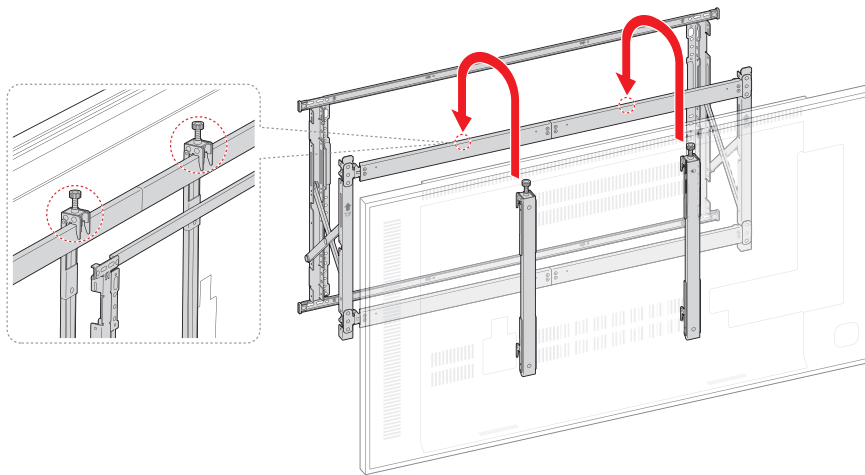
2. Make sure to remove the component **C** after the wall mount is installed on the wall.

6. Mounting the Signage on the Wall Mount

1

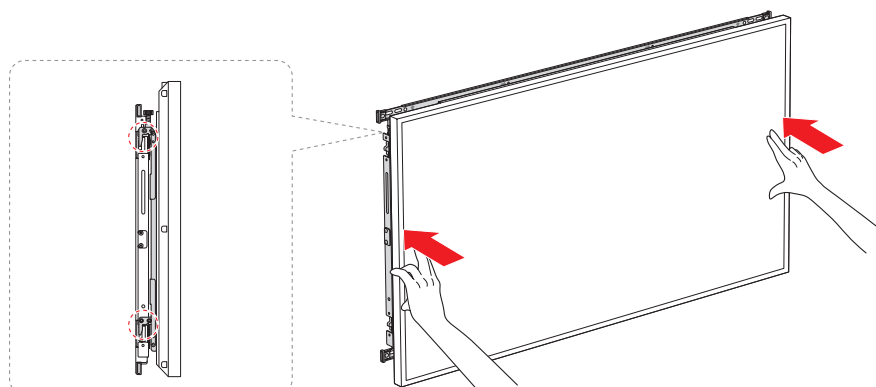


2



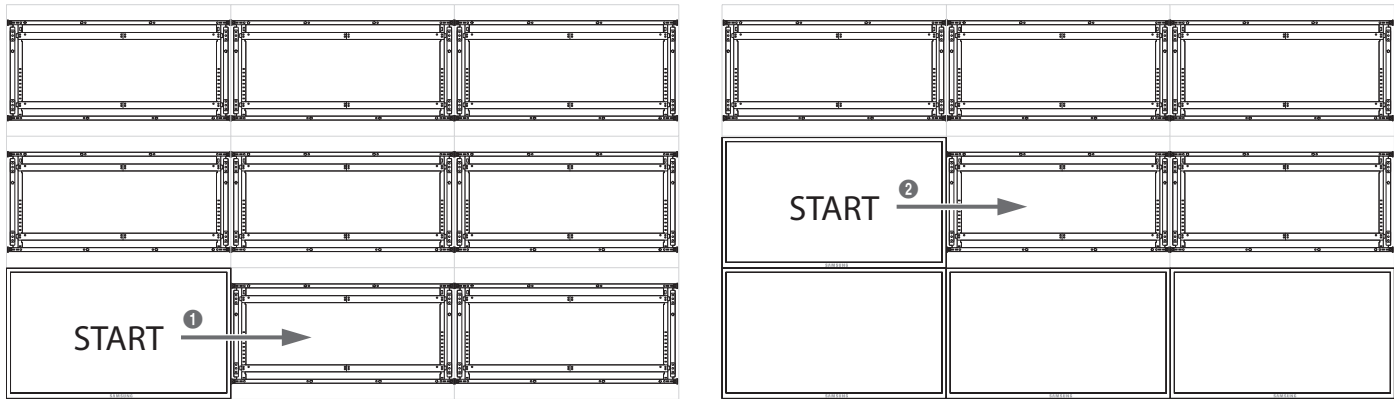
- Step 1: Lift the locks on both sides, then extend the wall mount.
Step 2: Mount the Signage, then fasten the safety screw **O** into the component **B** by hand.
Step 3: Push the wall mount until the both locks are engaged.
- The wall mount can be extended by as far as 190mm.
 - Do not keep the Signage extended, except when you replace it.

3



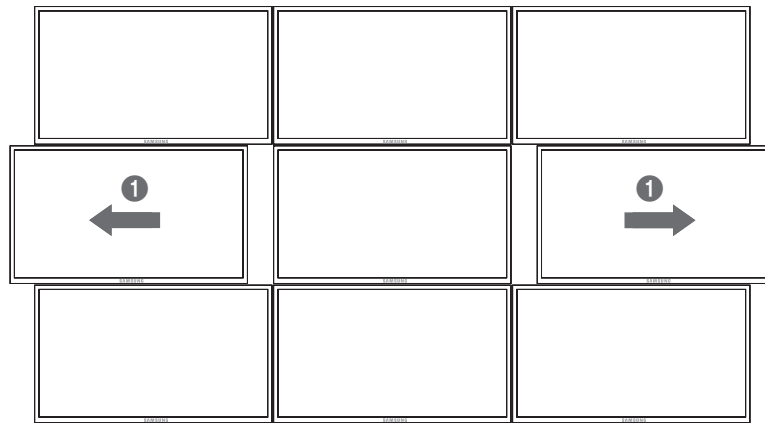
7. Installing the Video Wall

Install the Signages starting from the bottom row of the video wall.

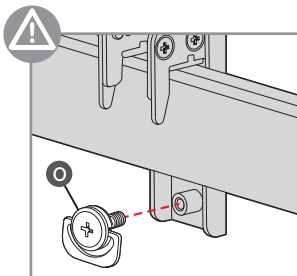
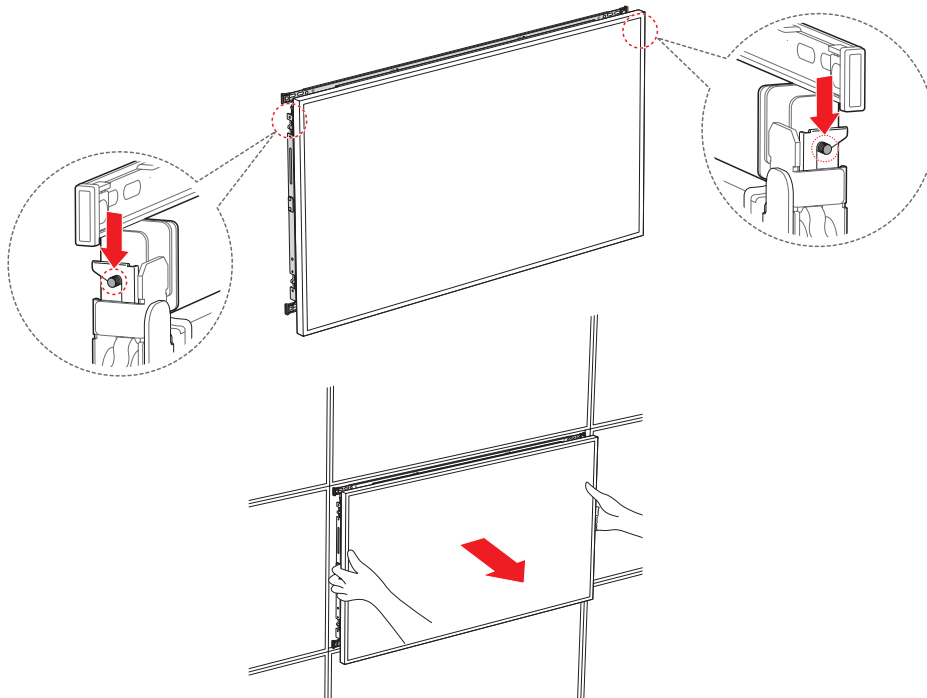


8. Separating the Video Wall

1



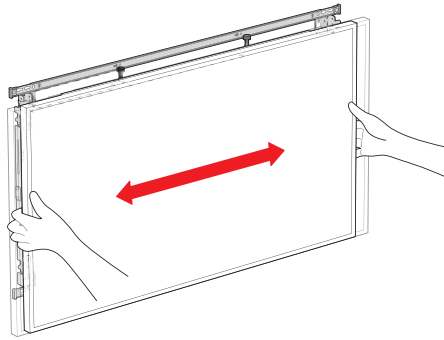
2



The locks on both sides must be disengaged.
Use the accessory **L** (L-wrench) with no or little space available.
Make sure to remove the safety screws before dismantling the Signage.

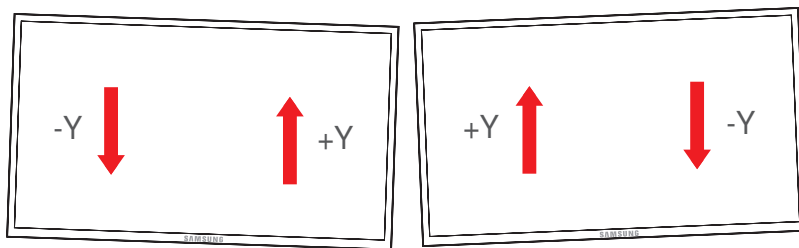
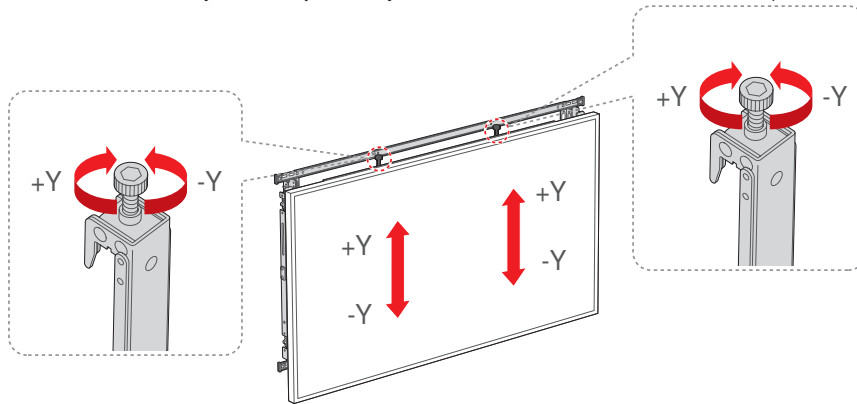
9. Finely Adjusting the Video Wall

1 Direction X



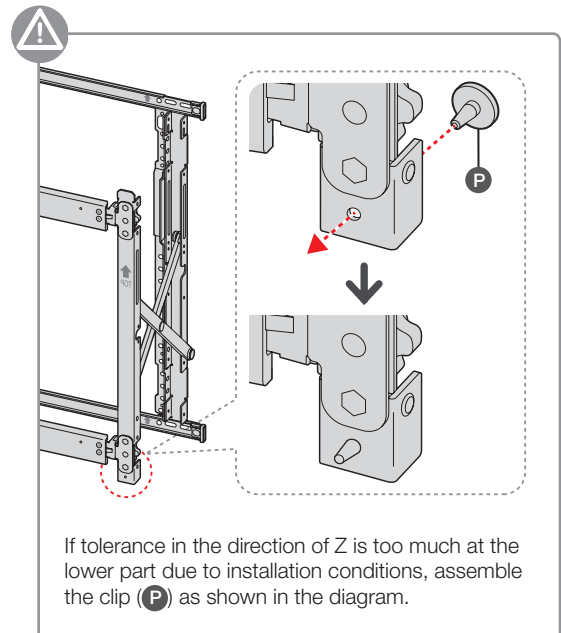
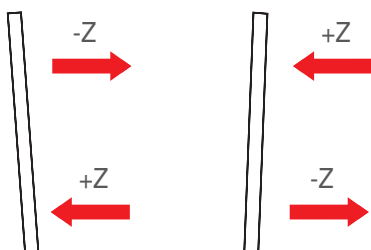
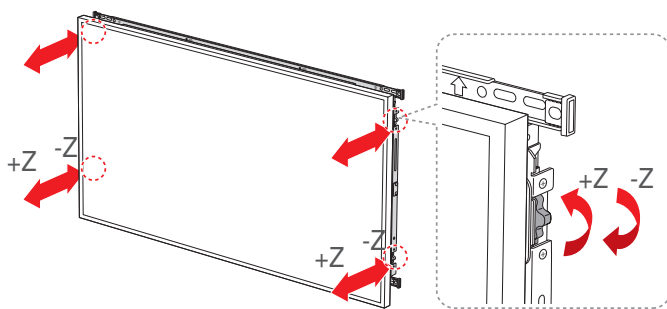
2 Direction Y

When you adjust tolerance in the direction of Y, you can adjust it only in the direction of +Y from the reference position in the appended diagram.

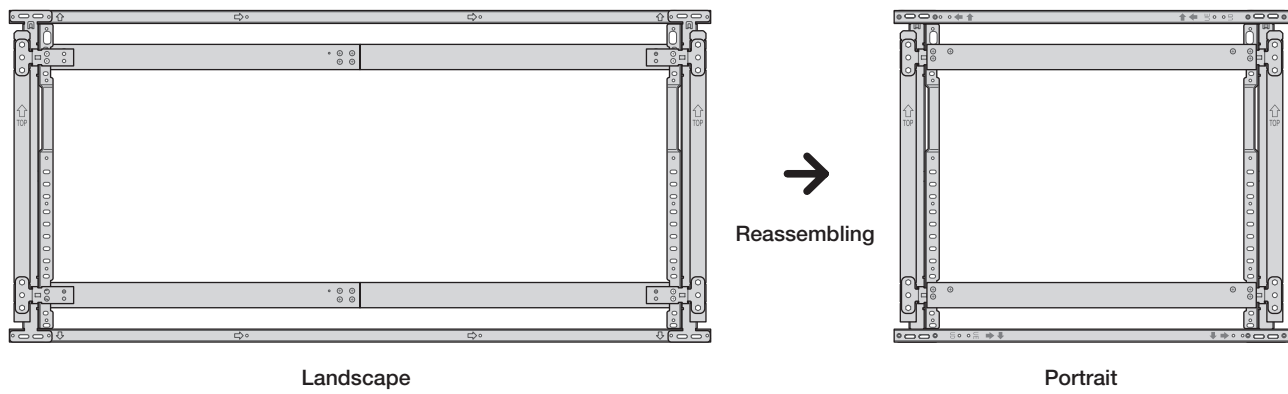


3 Direction Z

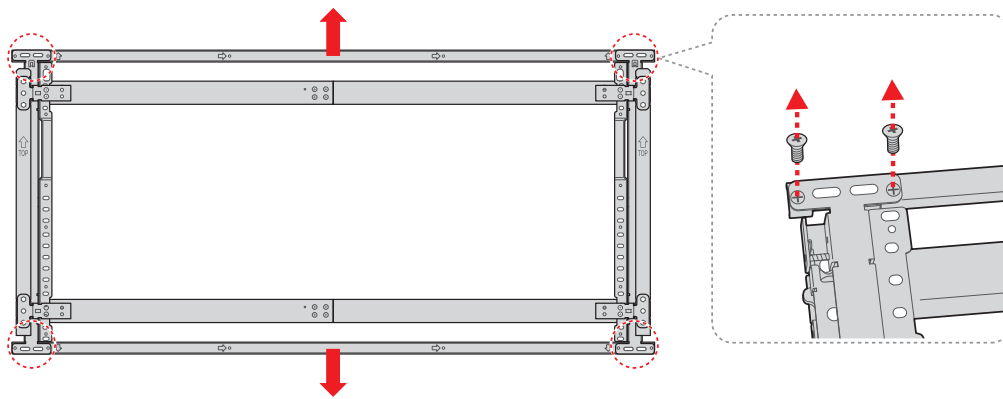
When you adjust tolerance in the direction of Z, you can adjust it only in the direction of +Z from the reference position in the appended diagram.



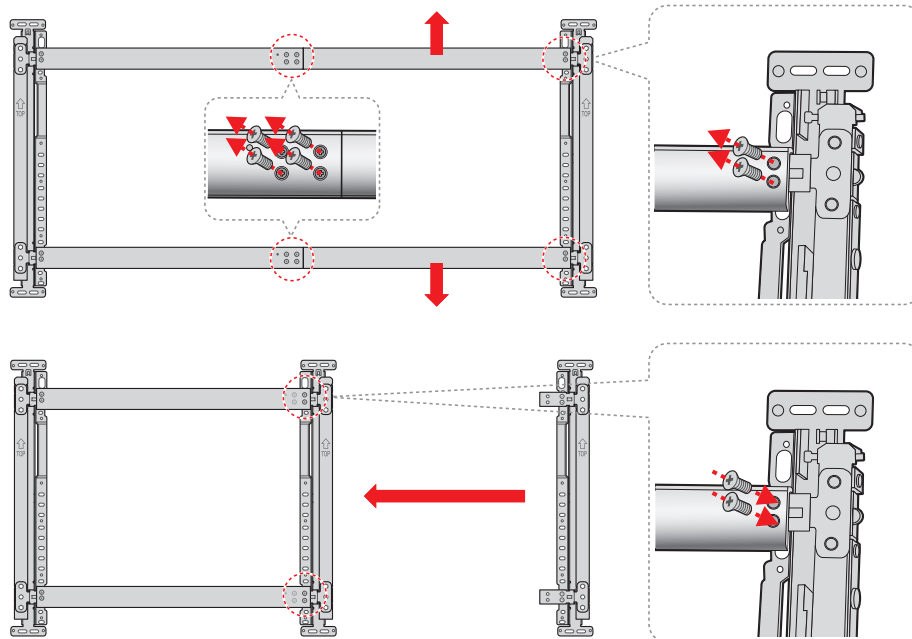
10. Reassembly Wall Mount for Portrait



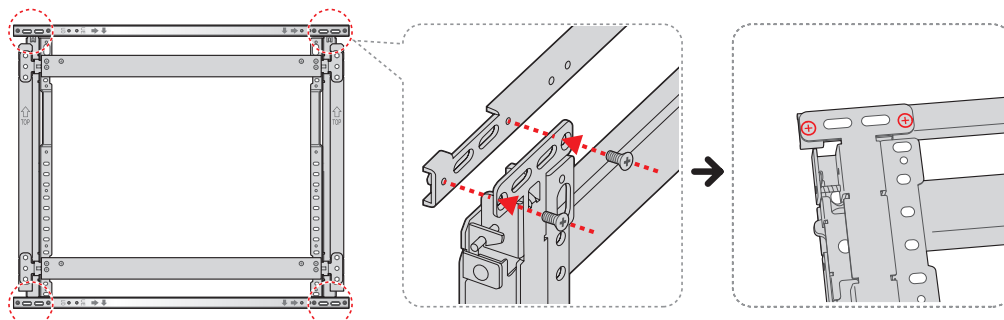
1



2



3



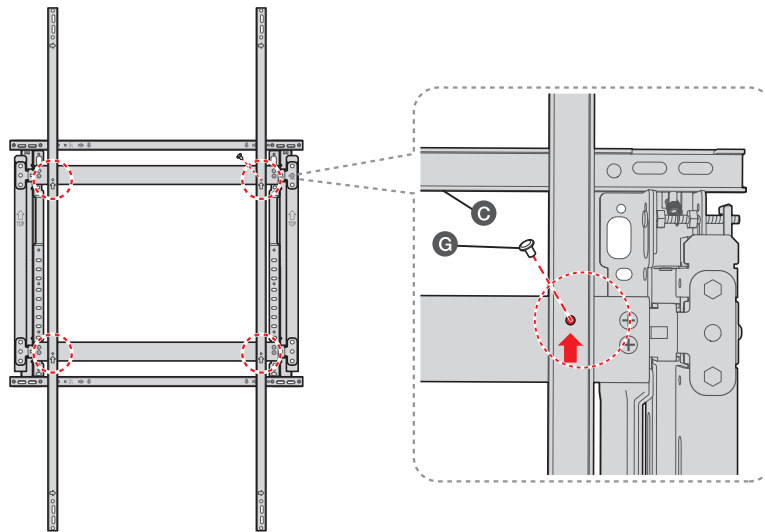
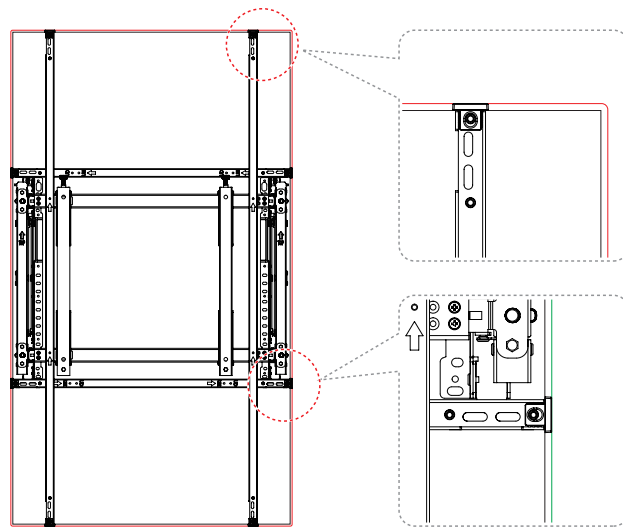
To use the wall mount in portrait orientation, reassemble it.

If you are using the UE/UD Series, reassemble the wall mount according to the Easy Installation Function, then follow the installation steps for landscape orientation to install the wall mount.

11. Easy Installation Function(For Portrait) - only for SAMSUNG UD/UE Series : Wall mount size = Signage size

■ For UE/UD Series

△ The spacers (I, J) are only applicable to the UE Series.

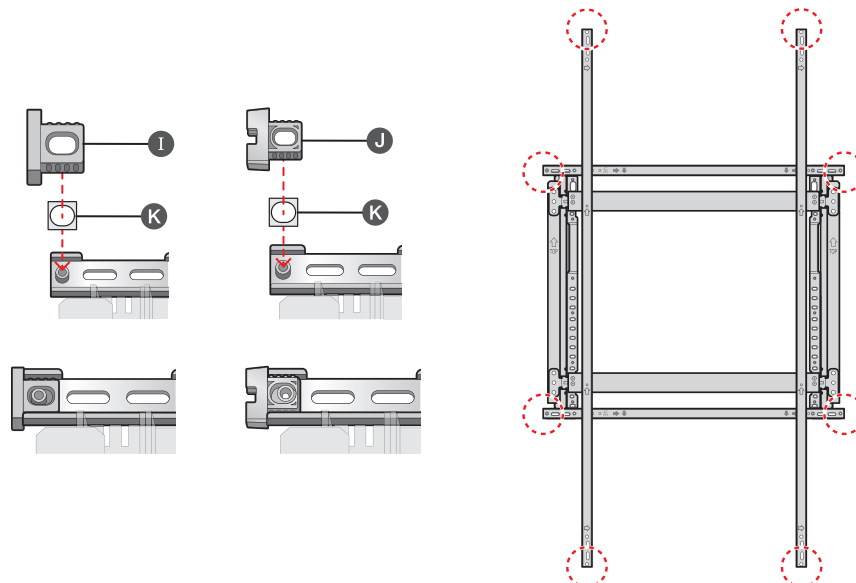


If you are using a different Signage model, skip this step and proceed to the next one.

Use the screw (G) to attach the bracket height bars detached from the component (A). How to attach the bars depends on whether you are using the UE or UD model. (TOP direction : See the arrows)

■ For Only UE Series

Refer to the appended diagrams for assembly specifications for each model.



Use the tape (K) to attach the components (I) and (J), according to the specifications for your Signage model.

Product Specifications

■ WMN-55VD

Width (mm) X Height (mm)	1213.0 X 539.8mm (Landscape type) (Exclusion: BRKT HEIGHT BAR, SPACER A/B) VESA(mm): 600x400, 400x400, 400x600
Width (mm) X Height (mm)	684.0 X 539.8mm (Portrait type) (Exclusion: BRKT HEIGHT BAR, SPACER A/B) VESA(mm): 600x400, 400x400, 400x600
Depth (mm)	39.0mm (Minimum) / Tolerance adjustment (+8.0mm)
Extendible Range (mm)	190mm Type : Landscape(default), Portrait type.
Product weight with the packaging (Kg)	11.3Kg
Maximum SET load (Kg)	29Kg

■ WMN-46VD

Width (mm) X Height (mm)	1022.0 X 539.8mm (Landscape type) (Exclusion: BRKT HEIGHT BAR, SPACER A/B) VESA(mm): 600x400, 400x400, 400x600
Width (mm) X Height (mm)	576.6 X 539.8mm (Portrait type) (Exclusion: BRKT HEIGHT BAR, SPACER A/B) VESA(mm): 600x400, 400x400, 400x600
Depth (mm)	39.0mm (Minimum) / Tolerance adjustment (+8.0mm)
Extendible Range (mm)	190mm Type : Landscape(default), Portrait type.
Product weight with the packaging (Kg)	10.4Kg
Maximum SET load (Kg)	23Kg

Precautions for interior assembly

When you both install a video wall and proceed with interior trim or decorative moldings on it, you can adjust the tolerance properly in the directions of **+Y (10mm) and +Z (8mm)** based on the provided specifications.

Ensure proper space (+α mm) required to adjust tolerance at the top of the video wall.

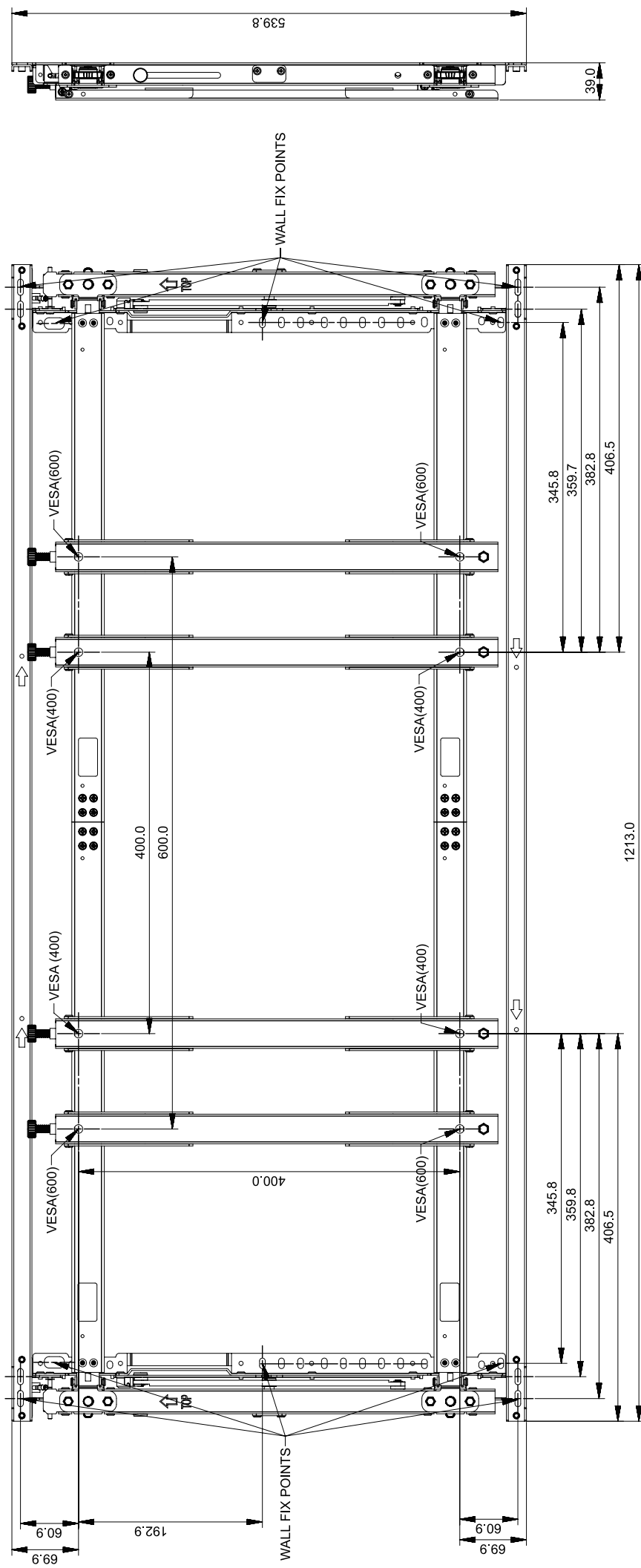
Make sure to take into account the additional distance required to adjust tolerance (+α mm / maximum 8.0mm) when you conform to specifications for distance (39.0mm) behind the video wall.

Warranty period : 1 Year

This SAMSUNG brand product, as supplied and distributed by SAMSUNG and delivered new, in the original carton to the original consumer purchaser, is warranted by SAMSUNG against manufacturing defects in materials and workmanship for the limited warranty period listed for your country in the warranty table at the end of this manual. This limited warranty begins on the original date of purchase. To receive warranty service, the purchaser must contact SAMSUNG for problem determination and service procedures. Warranty service can only be performed by a SAMSUNG authorized service centre. The original dated bill of sale must be presented upon request as proof of purchase to SAMSUNG or SAMSUNG's authorized service centre.

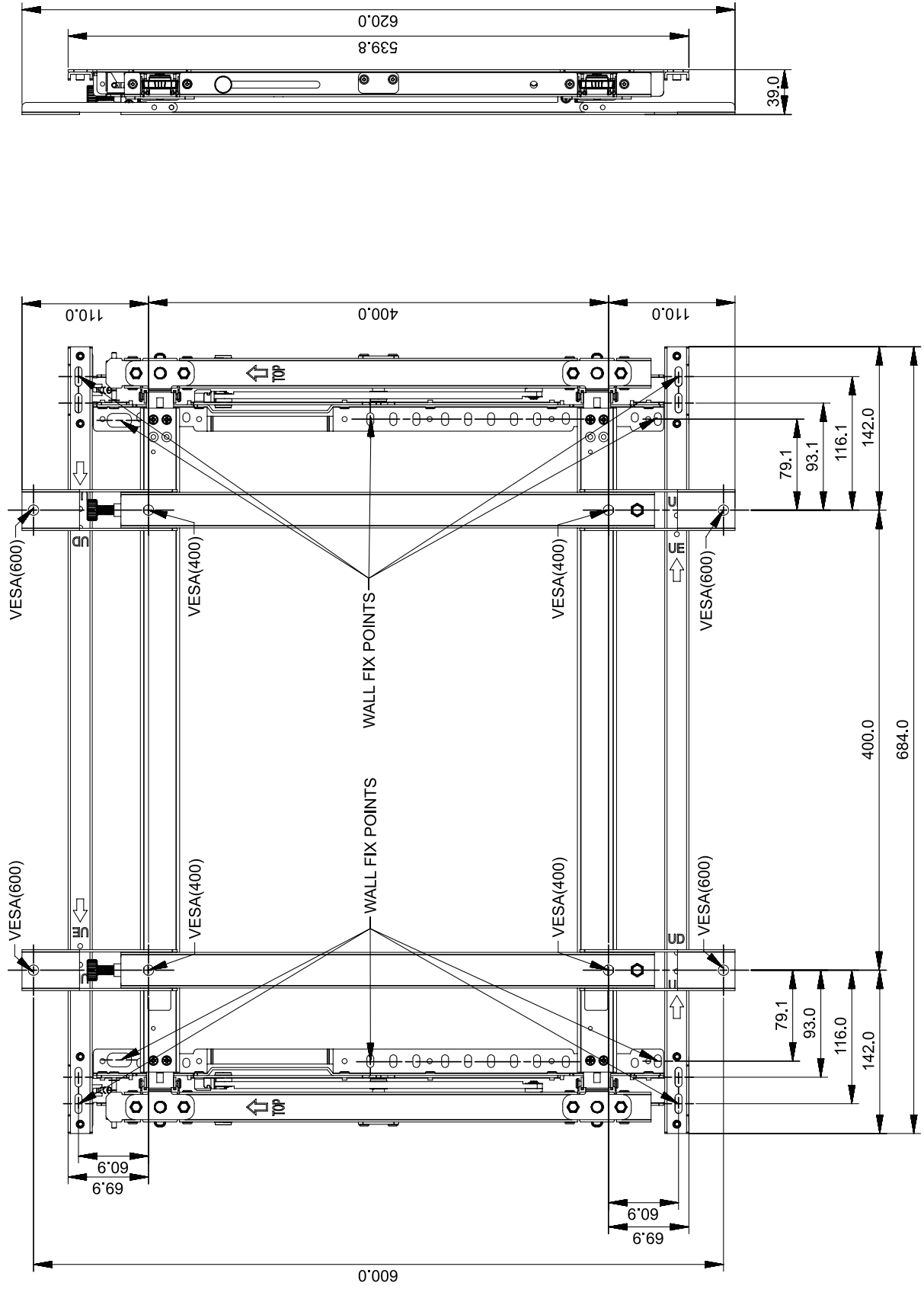
■ WMN-55VD (Landscape type)

△ Make sure to take into account the additional distance required to adjust tolerance (+α mm / maximum 8.0mm) when you conform to specifications for distance (39.0mm).



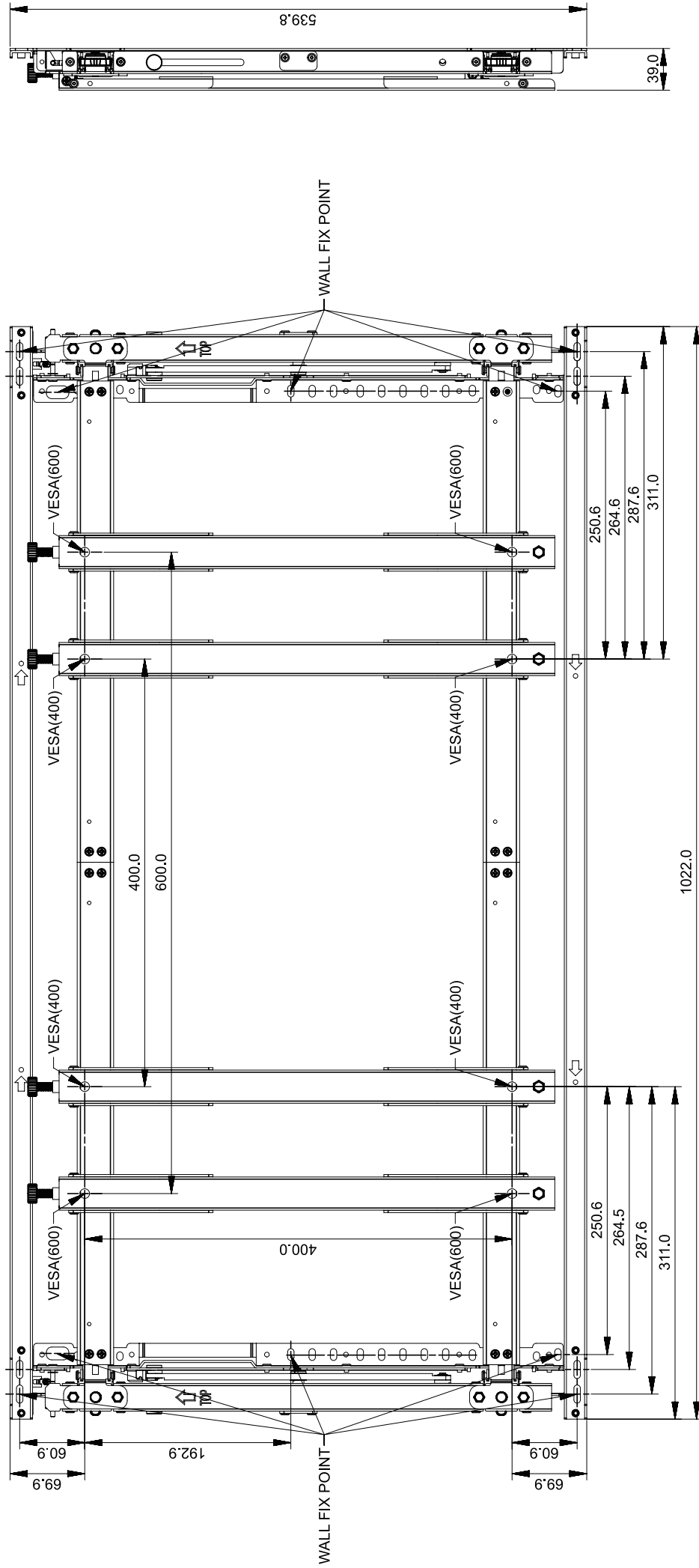
■ WMN-55VD (Portrait type)

▲ Make sure to take into account the additional distance required to adjust tolerance (+α mm / maximum 8.0mm) when you conform to specifications for distance (39.0mm).



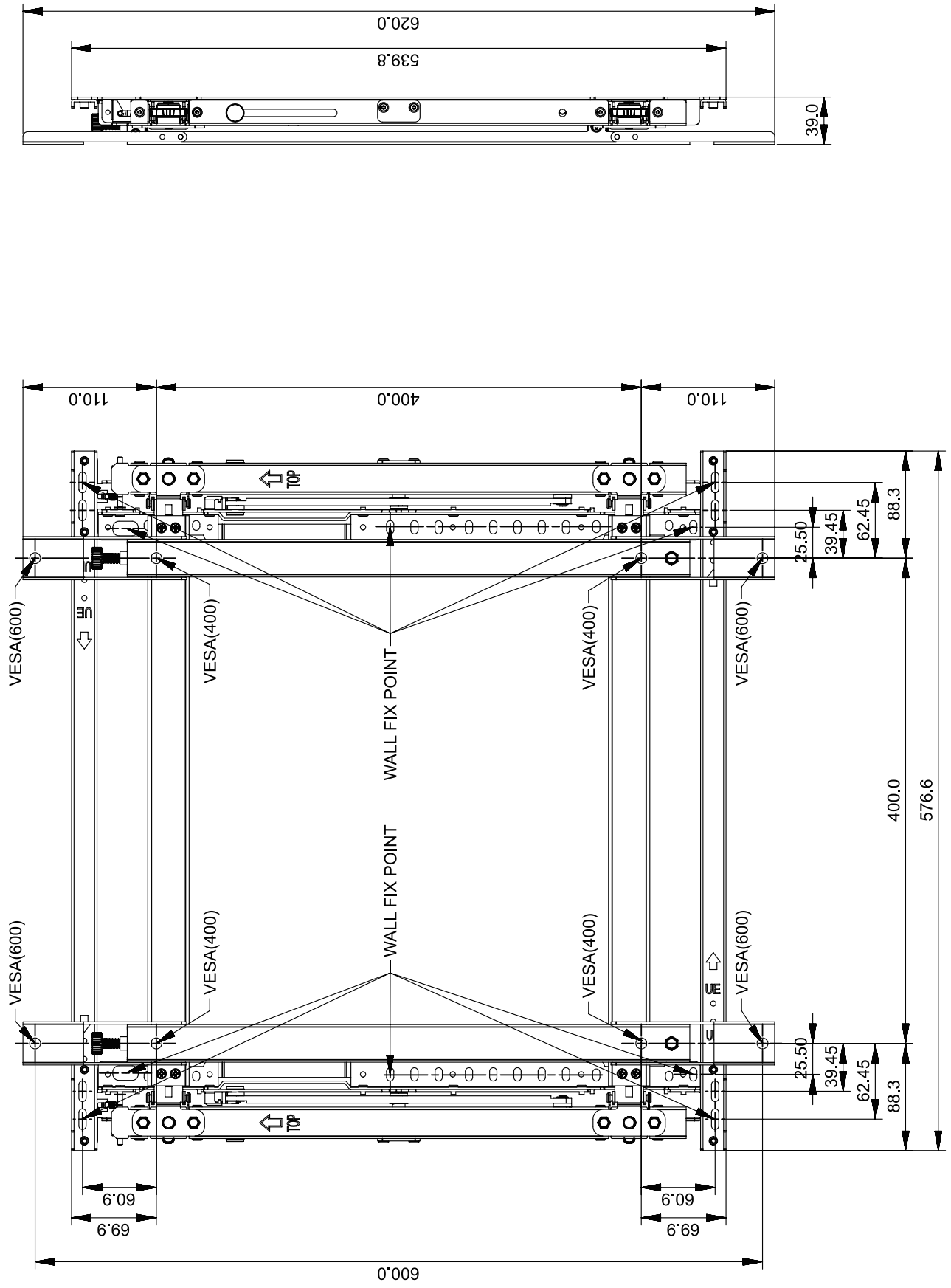
■ WMN-46VD (Landscape type)

△ Make sure to take into account the additional distance required to adjust tolerance (+α mm / maximum 8.0mm) when you conform to specifications for distance (39.0mm).



■ WMN-46VD (Portrait type)

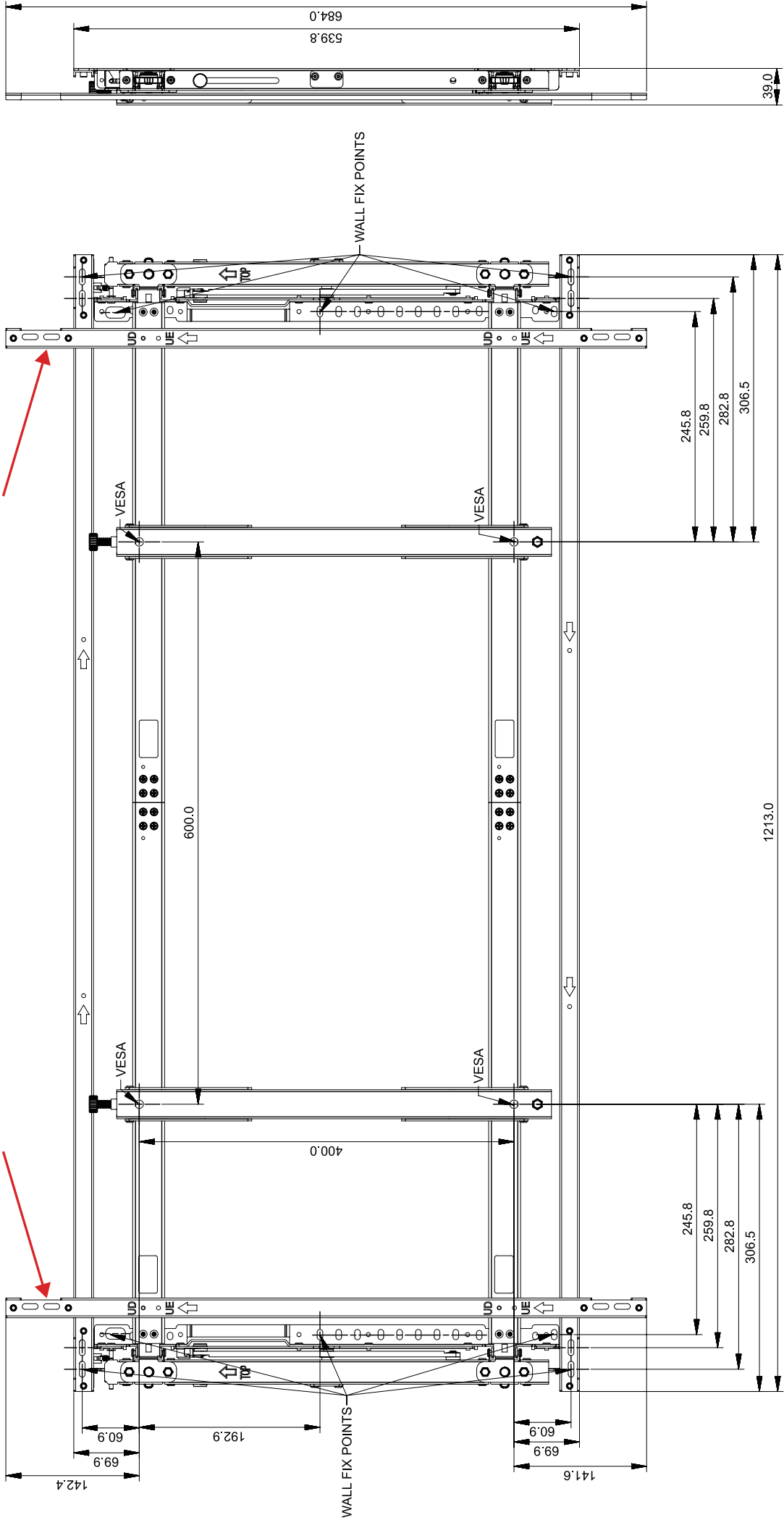
▲ Make sure to take into account the additional distance required to adjust tolerance (+α mm / maximum 8.0mm) when you conform to specifications for distance (39.0mm).



WMN-55VD (Landscape type – UD Series)

Make sure to take into account the additional distance required to adjust tolerance (+α mm / maximum 8.0mm) when you conform to specifications for distance (39.0mm).

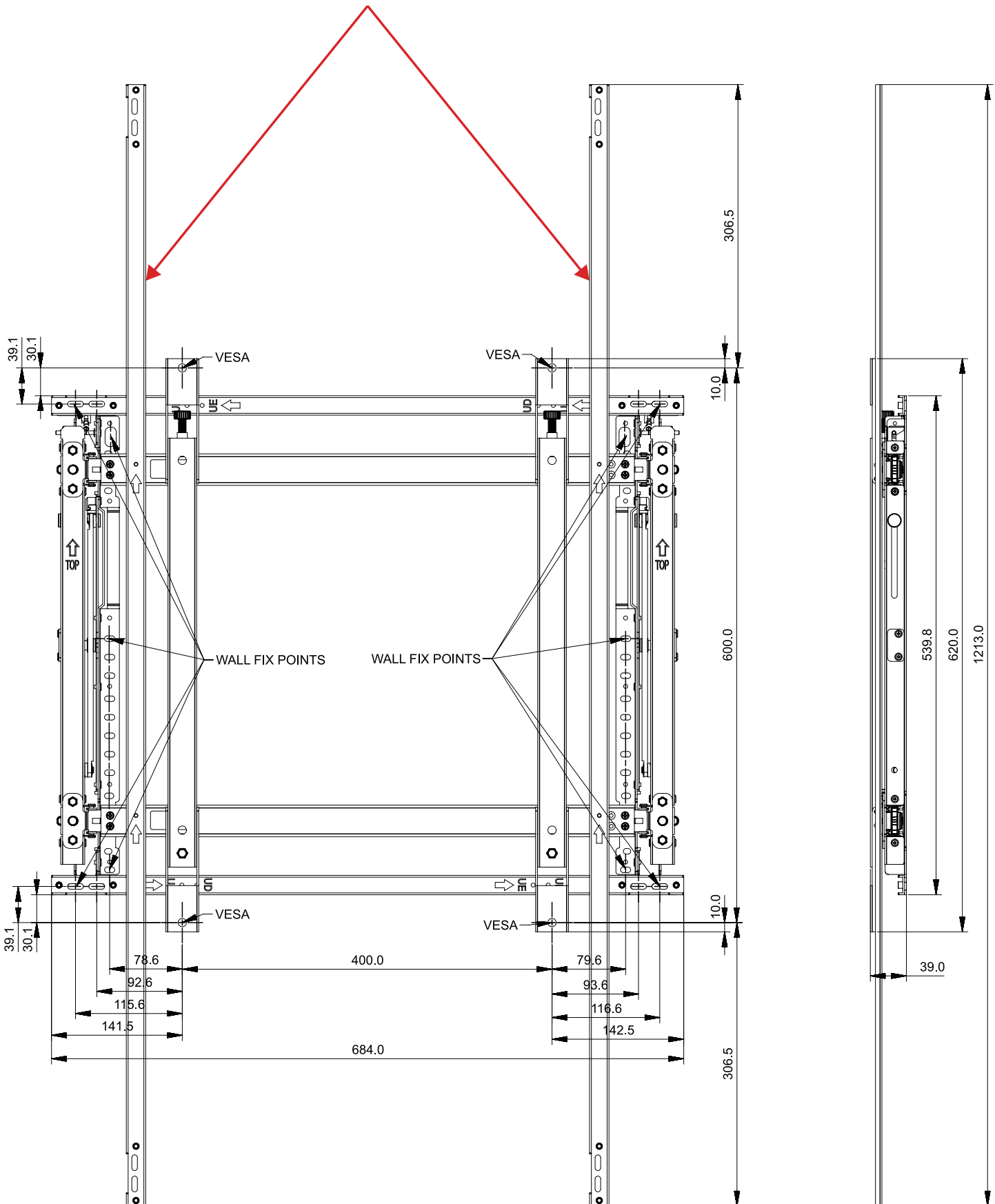
Make sure to remove the component  before mounting the Signage.



WMN-55VD (Portrait type – UD Series)

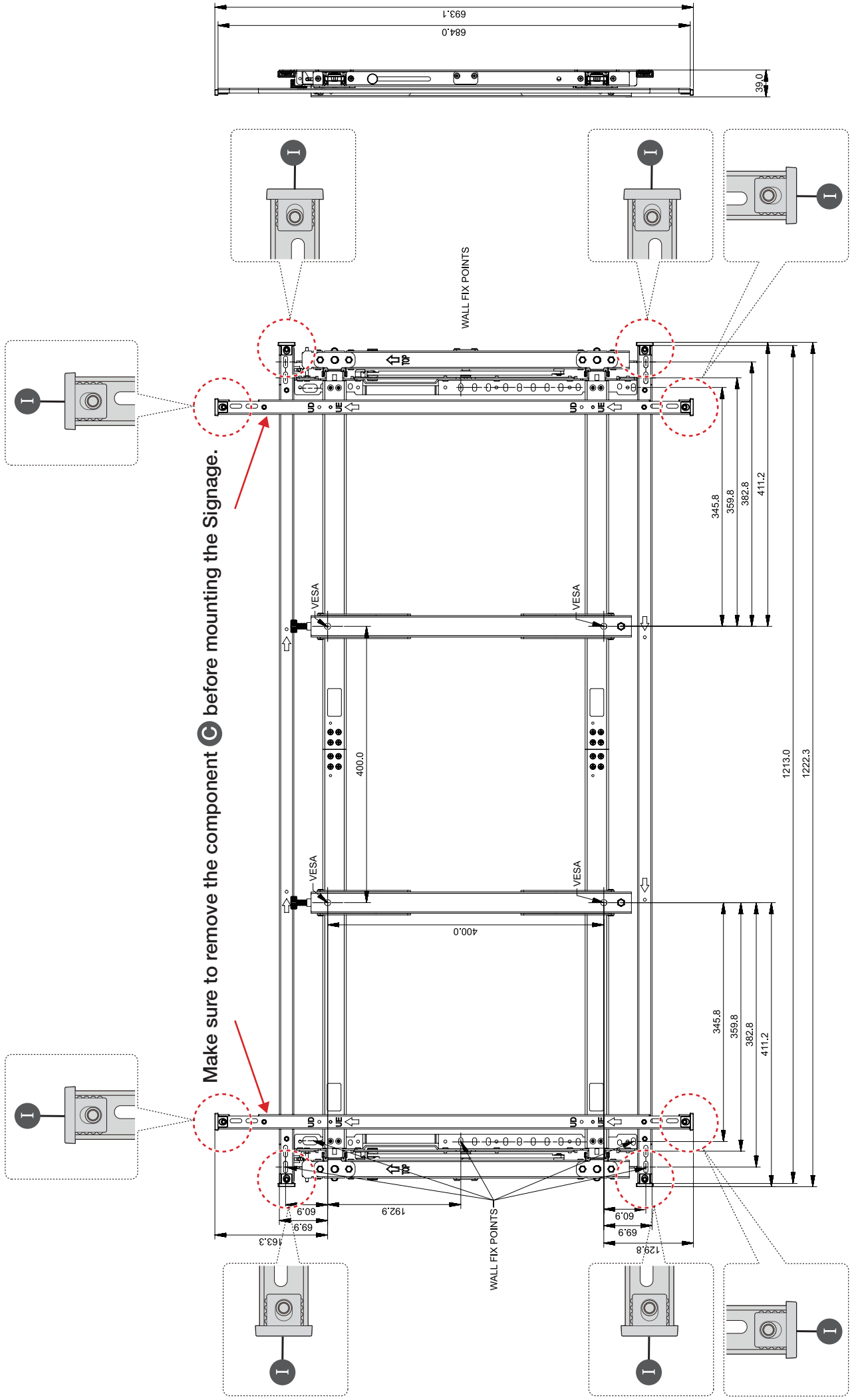
- ⚠ Make sure to take into account the additional distance required to adjust tolerance (+α mm / maximum 8.0mm) when you conform to specifications for distance (39.0mm).
- ⚠ The VESA standards indicate that the wall mount should not be bilaterally symmetric when it is installed in portrait orientation.

Make sure to remove the component **A** before mounting the Signage.



■ WMN-55VD (Landscape type – UE Series)

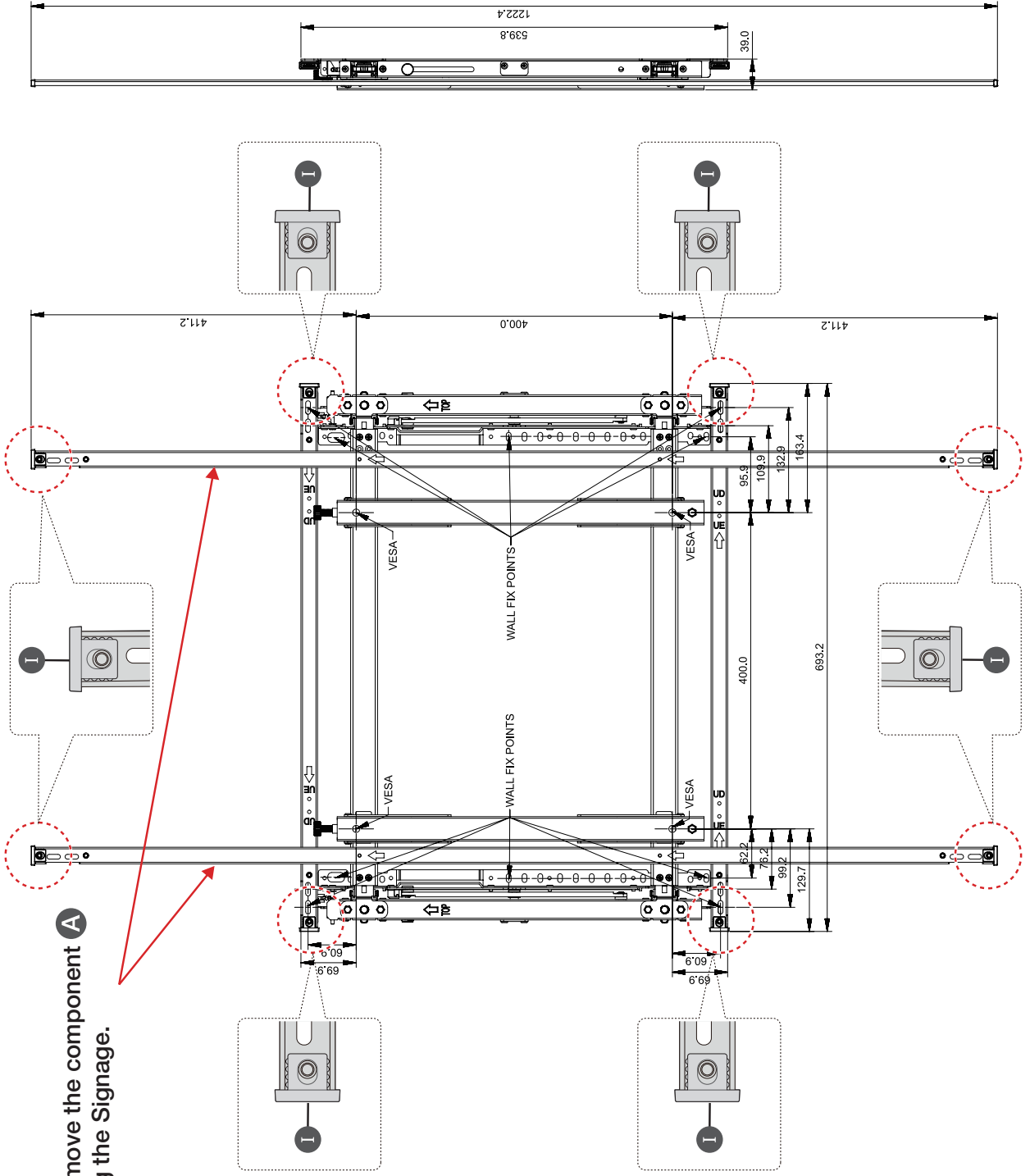
- △ Make sure to take into account the additional distance required to adjust tolerance (+α mm / maximum 8.0mm) when you conform to specifications for distance (39.0mm).
- △ The spacers are subject to tolerance of less than 1mm, depending on how they are attached.



■ WMN-55VD (Portrait type – UE Series)

- ⚠ Make sure to take into account the additional distance required to adjust tolerance (+ α mm / maximum 8.0mm) when you conform to specifications for distance (39.0mm).
- ⚠ The spacers are subject to tolerance of less than 1mm, depending on how they are attached.
- ⚠ The VESA standards indicate that the wall mount should not be bilaterally symmetric when it is installed in portrait orientation.

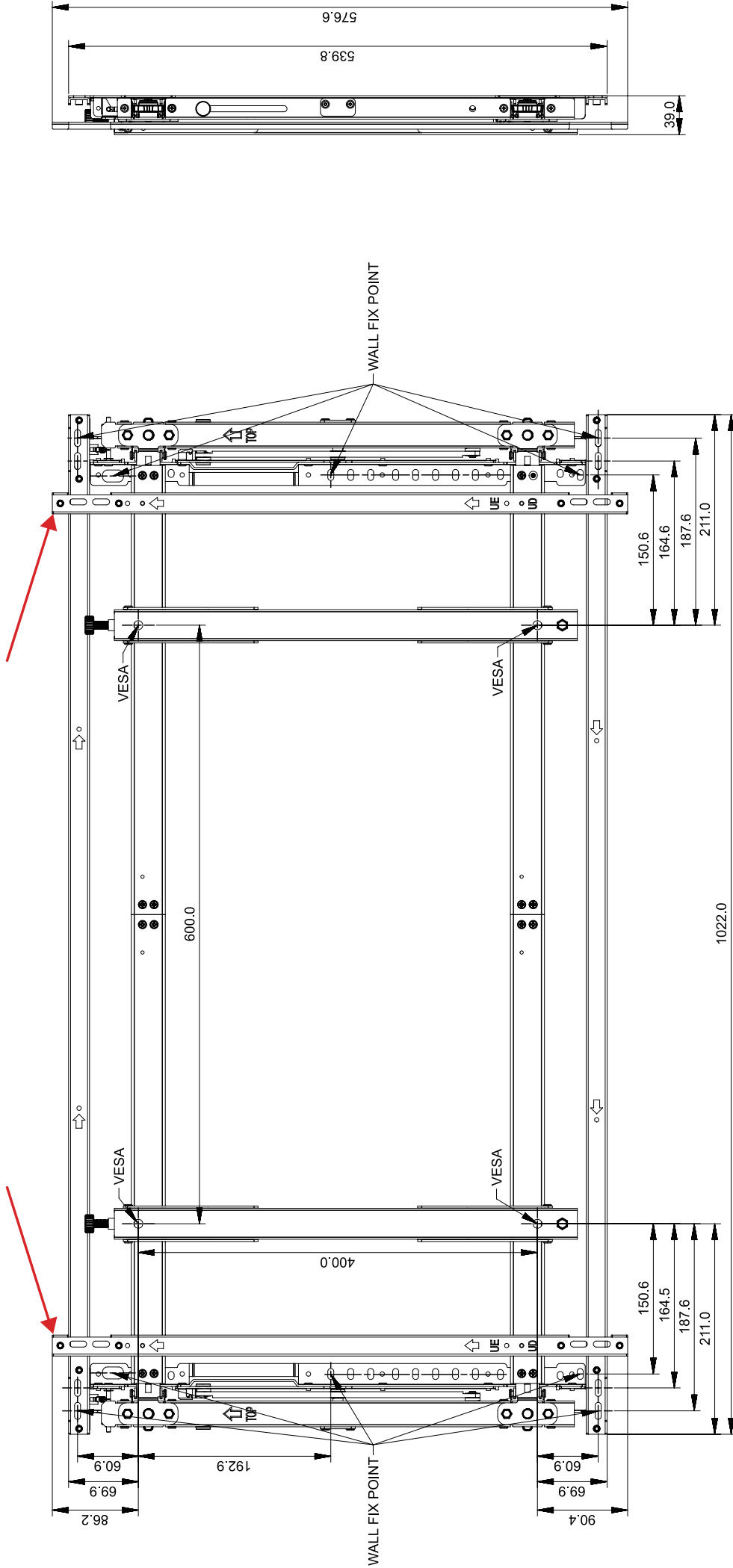
Make sure to remove the component A before mounting the Signage.



WMN-46VD (Landscape type – UD Series)

Make sure to take into account the additional distance required to adjust tolerance (+α mm / maximum 8.0mm) when you conform to specifications for distance (39.0mm).

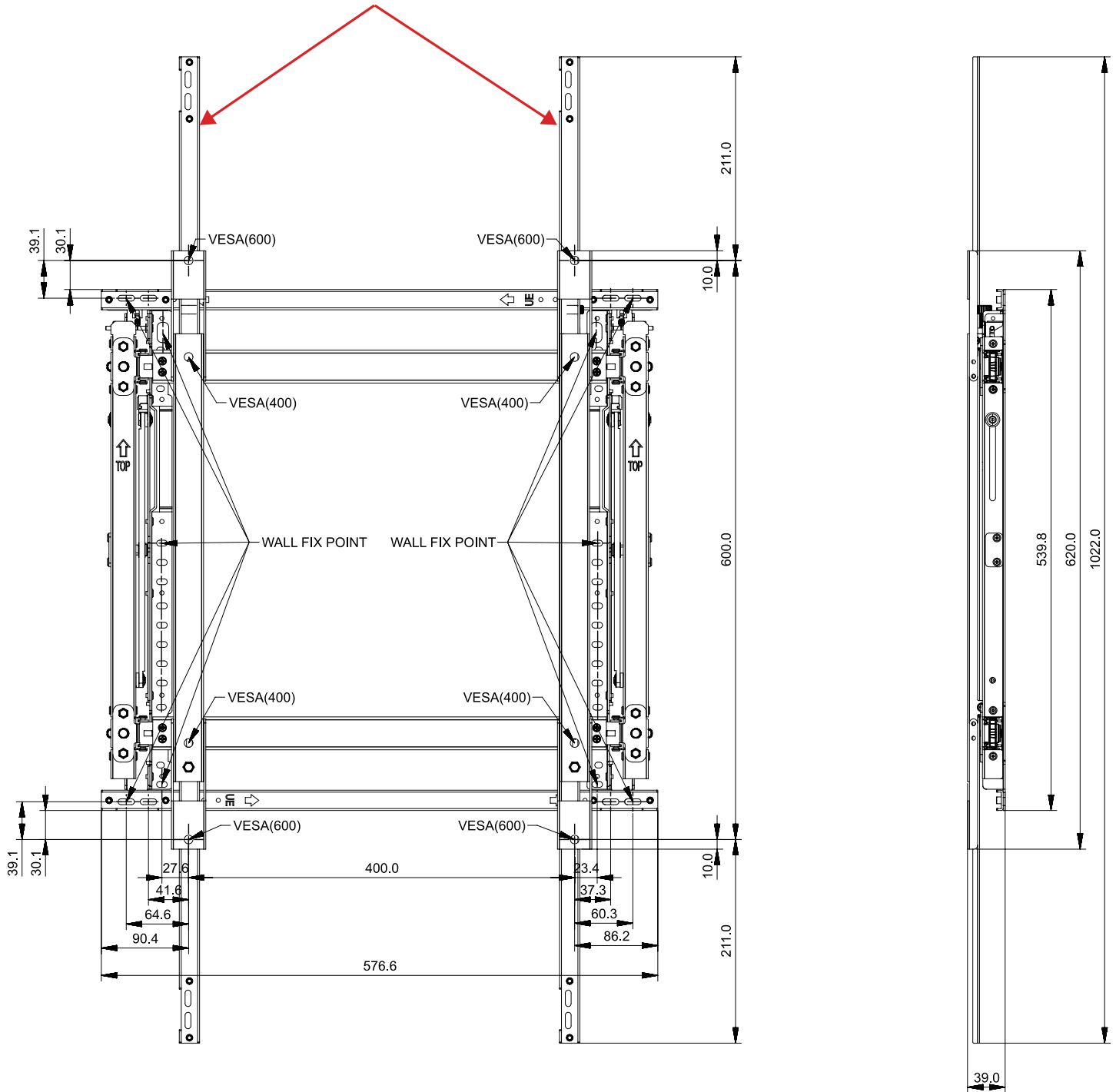
Make sure to remove the component **C** before mounting the Signage.



WMN-46VD (Portrait type – UD Series)

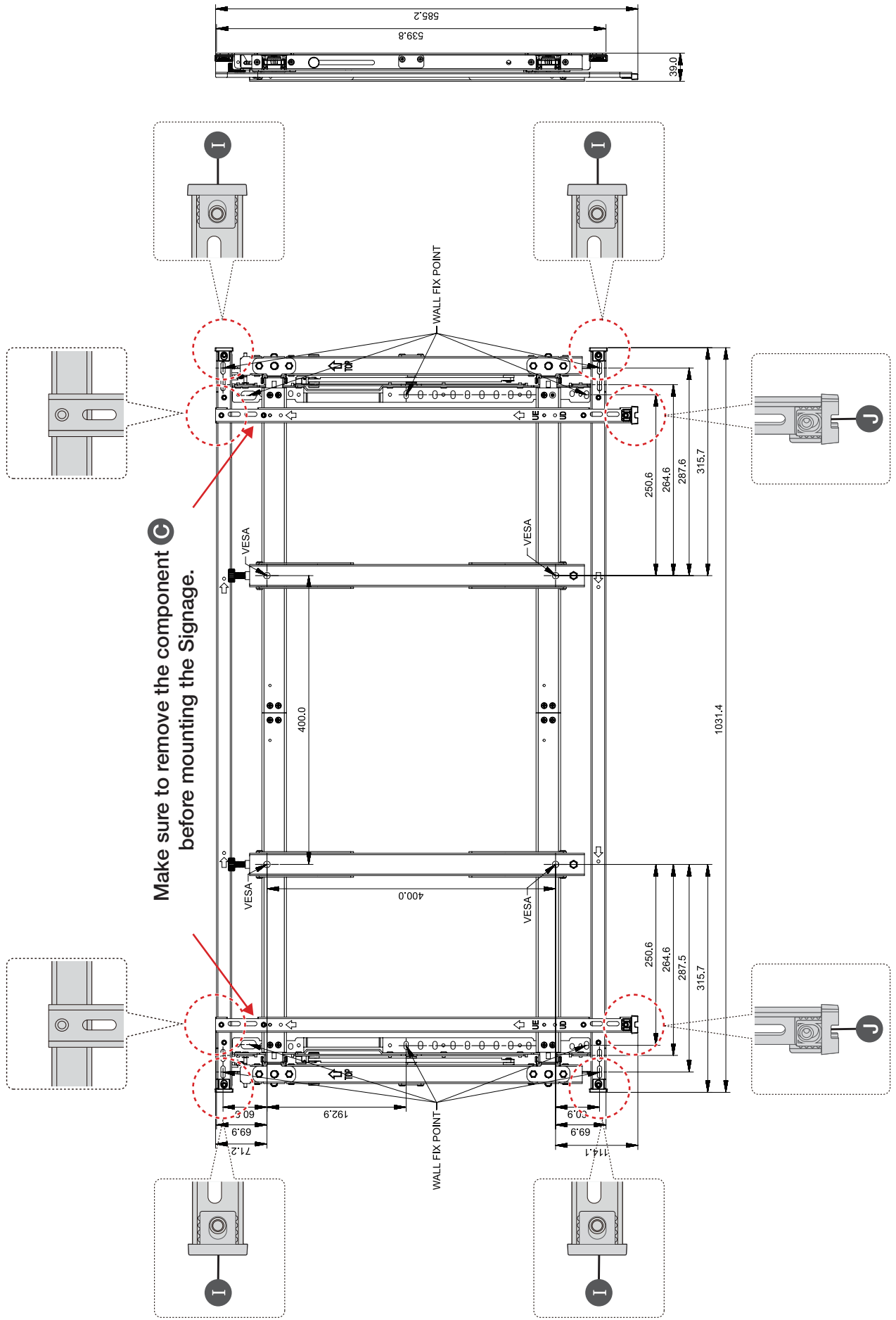
- ⚠ Make sure to take into account the additional distance required to adjust tolerance (+α mm / maximum 8.0mm) when you conform to specifications for distance (39.0mm).
- ⚠ The VESA standards indicate that the wall mount should not be bilaterally symmetric when it is installed in portrait orientation.

Make sure to remove the component **A** before mounting the Signage.



WMN-46VD (Landscape type – UE Series)

- ▲ Make sure to take into account the additional distance required to adjust tolerance (+α mm / maximum 8.0mm) when you conform to specifications for distance (39.0mm).
- ▲ The spacers are subject to tolerance of less than 1mm, depending on how they are attached.



■ WMN-46VD (Portrait type – UE Series)

- ⚠ Make sure to take into account the additional distance required to adjust tolerance (+α mm / maximum 8.0mm) when you conform to specifications for distance (39.0mm).
- ⚠ The spacers are subject to tolerance of less than 1mm, depending on how they are attached.
- ⚠ The VESA standards indicate that the wall mount should not be bilaterally symmetric when it is installed in portrait orientation.

Make sure to remove the component **A** before mounting the Signage.

