

BY IKOHS



**CREATE**  
WARM SLIM 1500

**THERMAL HEATER  
USER MANUAL**

**CREATE**

The life you want to live in



## WARM SLIM 1500

THERMAL HEATER - EMISOR TÉRMICO

EN	ENGLISH	4 - 9
ES	ESPAÑOL	10 - 15
PT	PORTUGUÊS	16 - 21
FR	FRANÇAIS	22 - 27
IT	ITALIANO	28 - 33
DE	DEUTSCH	34 - 39

## WELCOME

---

Thank you for choosing our heater. Before using the appliance, carefully read these instructions to ensure it is used correctly.

The safety precautions enclosed reduce the risk of death, injury and electrical shock when correctly followed. Keep the manual in a safe place for future reference, along with the completed warranty card, purchase receipt and package. If applicable, pass these instructions on to the next owner of the appliance. Always follow basic safety precautions and accident prevention measures when using an electrical appliance. We assume no liability for customers who fail to comply with these requirements.

## SAFETY INSTRUCTIONS

---

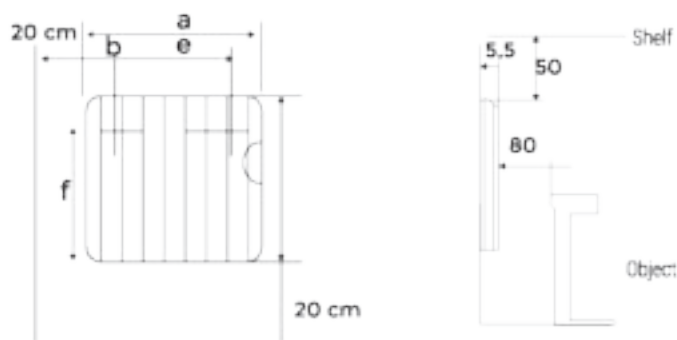
When using any electrical appliance, basic safety precautions should always be observed.

- Remove the plug from the mains power socket to disconnect the heater. Do NOT pull on the cable.
- Do not leave the mains cable in contact with the heater when it is switched on.
- During operation, ensure that the heater is kept well away from combustible materials such as curtains, carpets and furniture, etc.
- DO NOT COVER THE HEATER. DO NOT USE THE HEATER TO DRY CLOTHES. If the heater is covered, there is serious risk of overheating.
- DANGER: If the mains cable is damaged, it must be replaced by the manufacturer, by its after-sales service or by fully qualified personnel in order to prevent any hazardous situations.
- If the heater is to be installed in a bathroom, it must be installed by a qualified electrician.
- The heater must not be located under or in front of a mains socket.
- When disposing of the heater, all requirements established by current legislation for waste processing and recycling must be followed.
- The installation must be carried out according to current electrical legislation.
- This heater must have an earth connection.
- The heater must be installed so that the mains plug is always accessible.
- This heater cannot be flush-mounted in a wall. Always respect the safety distances.
- A locking system is fitted to prevent children from playing with the heater programming.
- This heater is not designed to be handled by children or physically, mentally or sensory handicapped persons with little experience or knowledge, unless under the supervision of a person responsible for their safety and in possession of the corresponding instructions on use. Children must be supervised to ensure they do not play with the heater.
- Children younger than three years old must be kept well away from the heater unless under constant supervision.
- Children younger than three years old must be kept away unless continuously supervised. Children aged between three and eight years old shall only switch the appliance on/off if it has been placed or installed in its intended normal operating position and they are supervised or instructed on how to use the appliance safely and understand the hazards involved. Children aged between three and eight years old may not plug in, regulate and clean the appliance or perform user maintenance.
- This appliance may be used by children aged eight and over and by persons with physical, sensory or mental disabilities or without experience or knowledge, provided they have been duly trained and are supervised by somebody who understands the hazards. The cleaning and maintenance to be carried out by the user must not be done by children. Children should not play with the appliance.
- PRECAUTION: Certain parts of this heater may become very hot during operation and cause burns. Special care must be taken when children and other vulnerable persons are present.

- **CAUTION:** Keep bags and other accessories well out of the reach of children.
- Do not touch the outside of the heater during operation.
- It is quite normal to notice a new smell when the heater is switched on for the first time. Allow your heater to work in a well-ventilated area for two or three hours.
- Before each cold season, or if the heater has been switched off for several days/months, it should be cleaned before switching it on again (follow the steps in section 10 "Maintenance"). This cleaning will prevent the burning of accumulated dust and other remains.
- This heater CANNOT be operated with external programmable units or any other third party control device.
- Due to the convection effect of this heater, together with other external factors, discolouration of metal and other surfaces can be caused if in proximity to the heater. This can cause discolouration of metal and plastic surfaces.
- Temperature fluctuations may cause crackling or heater noises. This is not an indication of failure.
- The heater warranty does not cover any damage caused by failing to follow these instructions.

## INSTALLATION AND MOUNTING

- This heater can be installed on feet (provided) or on a wall (fixings provided).
- The heater must never be installed underneath a mains wall socket.
- The heater must never be installed in a position where the switches and other controls can be reached by someone in the bath or shower.
- The heater works through natural air convection. In order to achieve correct performance and uniform heat distribution, when it is installed on a wall the lower part of the heater must be a minimum of 20 centimetres from the floor, a minimum of 20 centimetres from the sides, 50 centimetres from an upper shelf and also a minimum of 20 centimetres from any wall or object (furniture and curtains etc).



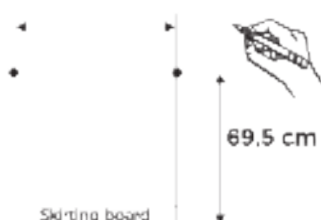
## WALL INSTALLATION

1. Select a suitable location on the wall, which should be firm and level. Check that there is a mains socket close by.
2. The distances vary depending on the heater model.
3. Open the package box and check that all fixing accessories are present, it is a good idea to keep the product box for storing out of season.



## ASSEMBLY

1. While respecting the previously indicated safety measurements, make two marks on the wall according to measurement "e" indicated in Table 1 and at a height of 695 mm from the floor (not from the skirting board).
2. At the marked area drill two 10 mm diameter holes, with a minimum depth of 60 mm.



3. Push the two plugs (D) into the two holes and secure the two hooks (C) with the two screws (O).
4. Screw the two support brackets (A) (or one support bracket, depending on the model) to the rear part of the heater with the four screws (E) (or two screws, depending on the model).

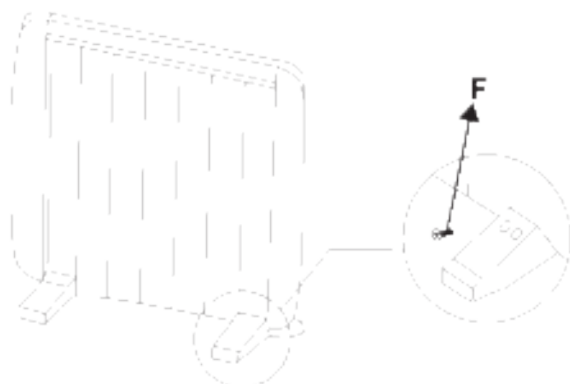
**Notes:** The two brackets (A) are screwed to the holes located on the lower rear part of the heater, at both ends.




5. Hang the heater on the two hooks (C) on the wall. Ensure that the heater is correctly secured on both hooks.
6. When the heater is hung in place, make two marks on the wall where the two brackets (A) will be fixed to ensure the heater is fixed to the wall.
7. Remove the heater and drill two 4 mm diameter holes with a minimum depth of 25 mm at the two marks on the wall.
8. Insert the two plugs and secure with the two screws (B) to completely secure the heater to the wall.

### Installing The Feet

1. Screw the two feet to the lower rear part of the heater with the four screws provided (F): two screws per foot.

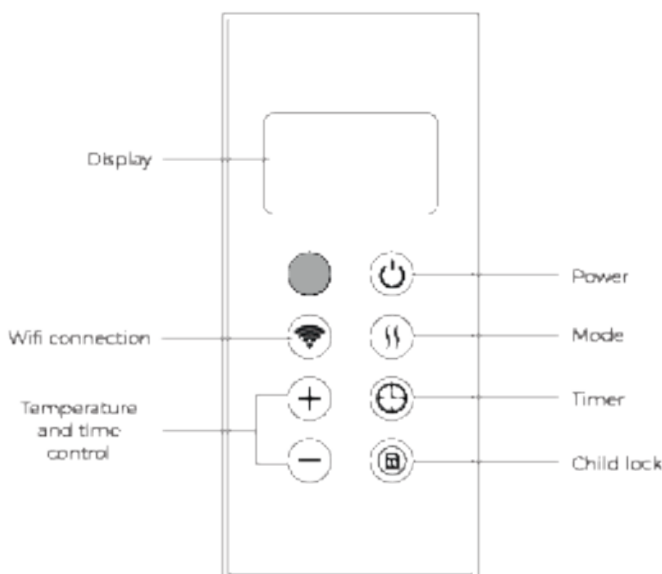


## USE OF THE ITEM

- Place the heater on flat stable surface
- Plug into any 220-240V, 50Hz, AC source, then turn on the switch at side, you will hear a beep sound.
- Turn on the heater by pressing the power button , the LED will display room temperature, then use the touch controls or remote control to set the power, temperature and time.
- If the appliance is not used for a long time, switch it off with power switch and unplug the item.
- **Warning!** Do not cover the product! Convector should not be placed under shower or in swimming pool.

## CONTROL PANEL

Insert the plug in a suitable power socket. The touch screen buttons located on the product correspond to the remote control functions.



### Power

When the product is on, press "power". The upper part of the display shows temperature. The heater is working at low power heating conditions.

### Mode

Low grade, high grade.

### Temperature

The temperature can be set from 16°C to 40°C.

Internal temperature is displayed every time the appliance is started up. The temperature can be set when the appliance is on stand-by or heating. When the room temperature reaches the set level, the high temperature power stops and the low temperature power remains active. When room temperature is two degrees over the set temperature, both the high and lower temperature powers will stop operating. The machine will begin operating again only when temperature decreases two degrees with respect to the set temperature.

## Timer

The timer button can be set to start or stop the appliance at the desired time, with a time interval between 1 and 24 hours.

## Child Lock

Press the child clock button for three seconds to lock the heater. After pressing the Child Lock button for three seconds again, the heater is unlocked.

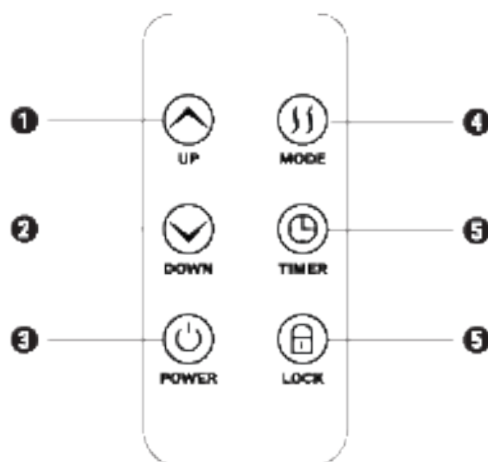
You can also press the mode button on the control panel for 3 seconds to lock the screen or unlock it.

## OPERATION FOR REMOTE CONTROL

Insert the plug in a suitable power socket.

The touch screen buttons located on the product correspond to the remote control functions.

1. Temperature / Time up
2. Temperature / Time down
3. Power button
4. Mode
5. Timer
6. Child lock



## CLEANING

- Before cleaning the item wait for it to cool down and unplug it.
- Do not use abrasives and solvents. Wipe the product with a soft wet cloth.
- Dust must be regularly removed from the surface.
- Do not wash the item or place it in water!
- If you will not use the heater for a long time, wipe the surface and put the item in the box.
- It should be placed in a dry ventilated room. Avoid high humidity and mechanical impact on the item.

**Warning:** never leave heater unattended!

The importer retains the right to change the appearance and completeness of the item without advising the customer in advance.

The item is for household use only.

**Warning!** The manufacturer does not assume any liability for any damage caused directly or indirectly by not following this instruction manual or general safety rules, or by interfering with the construction of the product.



## WIFI FUNCTION

1. Use your phone to scan the QR code below or search "Ikoohs Home" to download and install the app.
2. Select your country code, enter your mobile number and tap "Get" to get a message containing verification code.
3. Enter the verification code in the message and tap "Login" to login to the app.
4. Go to the app, tap "add device" at the bottom.
5. There are two connection methods for the app (hotspot mode and quick connect mode). The quick connect mode is the default mode. Users can tap the upper right corner to switch the connection method to hotspot mode.
  - For quick connect mode, please make sure the device's indicator light is flashing quickly.
  - For hotspot mode, please make sure the device's indicator light is flashing slowly.
  - If the light is not flashing as described above, please press the device's reset button for five seconds or longer until it flashes correctly.
6. Select the Wi-Fi, enter password and tap "Next".
7. For quick connect mode, the app interface will go through the changes during the network configuration processes.
8. The device is now connected correctly.
9. After the device is connected successfully, tap "Devices" at the bottom. The device name shows in the list. Tap it to enter the control panel of the smart socket.



### Notes:

- When device is online, there will be a green dot at the front of the device icon.
  - When the device is offline, the dot will be grey.
  - If the device is shared by others, there will be a double loop.
10. "My profile" is where users can manage personal information.
    - Personal information: including account name and mobile number.
    - Information of shared devices.
    - Message centre.
    - Entry to submit feedback.
    - F.A.Q.
    - Phone linking: If you sign in with a social network account, you can link your phone number with your account.
    - About Add sharing: As shown in the picture, users can type in a new member's mobile number and share the device with them. The new member can control the device with their own account.

## TECHNICAL SPECIFICATIONS

EN	Characteristics	
Power	1200W	2000W
Voltage	220-240V	220-240V
Frequency	50/60Hz	50/60Hz
Dimensions	690x580x55mm	970x580x55mm
Modes	2 (low, High)	2 (low, High)

## BIENVENIDO

---

Muchas gracias por elegir nuestro calefactor. Antes de usar el aparato, lea detenidamente estas instrucciones para su correcta utilización.

Las precauciones de seguridad incluidas reducen el riesgo de sufrir una descarga eléctrica, lesiones e incluso la muerte si se respetan estrictamente. Guarde este manual en un lugar seguro para consultarlo en el futuro, junto con la tarjeta de garantía del producto debidamente cumplimentada, el embalaje original del producto y el justificante de compra. Si es posible, entregue estas instrucciones al siguiente propietario del electrodoméstico. Respete en todo momento las precauciones de seguridad básicas y las normas de prevención de accidentes cuando utilice un electrodoméstico. No asumiremos ninguna responsabilidad por aquellos clientes que no cumplan dichos requisitos.

## INSTRUCCIONES DE SEGURIDAD

---

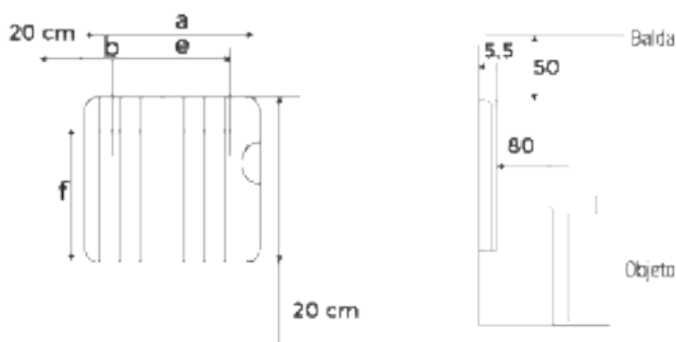
Al utilizar cualquier electrodoméstico, se deberán respetar en todo momento las medidas de seguridad básicas:

- Retire el enchufe de la toma de corriente para desconectar el calefactor. NO tire del cable.
- No deje el cable de alimentación en contacto con el calefactor mientras esté encendido.
- Durante el funcionamiento del mismo, asegúrese de mantener el calefactor alejado de materiales inflamables como cortinas, alfombras, muebles, etc.
- NO CUBRA EL CALEFACTOR. NO UTILICE EL CALEFACTOR PARA SECAR ROPA. Si cubre el calefactor, existe un riesgo grave de que se produzca un sobrecalentamiento.
- PELIGRO: Si el cable de alimentación se daña, el fabricante deberá sustituirlo a través de su servicio posventa o una persona cualificada para evitar que se produzcan situaciones de peligro.
- Si va a instalar el calefactor en un baño, un electricista cualificado deberá realizar la instalación.
- No debe colocar el calefactor debajo o delante de una toma de corriente.
- Cuando vaya a desechar el calefactor, deberá seguir todos los requisitos establecidos en la legislación actual en materia de tratamiento de residuos y reciclaje.
- La instalación debe realizarse de conformidad con la legislación actual sobre seguridad eléctrica.
- Este calefactor debe poseer una conexión a tierra.
- El calefactor debe instalarse de modo que permita acceder siempre a la toma de corriente.
- Este calefactor no puede encastrarse en la pared. Debe respetar siempre las distancias de seguridad.
- El calefactor incorpora un sistema de bloqueo para evitar que los niños jueguen con el programador.
- Este calefactor no está diseñado para ser manejado por niños o personas con discapacidades físicas, mentales o sensoriales con poca experiencia o conocimientos, a menos que se encuentren bajo la supervisión de una persona responsable de su seguridad y cuenten con las instrucciones de uso correspondientes. Los niños deben ser supervisados para asegurarse de que no jueguen con el calefactor.
- Los niños menores de tres años deben mantenerse totalmente alejados del calefactor a menos que se encuentren bajo una supervisión constante.
- Los niños menores de tres años deben mantenerse alejados del calefactor a menos que estén constantemente supervisados. Los niños de entre tres y ocho años de edad únicamente deben encender/apagar el aparato cuando este se haya situado o instalado en su posición de funcionamiento prevista, y se les supervise o se les haya indicado cómo deben utilizarlo de forma segura y comprendan los riesgos existentes. Los niños de entre tres y ocho años de edad no pueden enchufar, regular ni limpiar el aparato ni realizar tareas de mantenimiento del usuario.
- Este aparato puede ser utilizado por niños de al menos ocho años de edad y personas con discapacidades físicas, sensoriales o mentales o sin experiencia o conocimientos, siempre que se les haya indicado debidamente cómo deben utilizarlo y estén supervisados por una persona que comprenda los riesgos. La limpieza y el mantenimiento del calefactor que deberá realizar el usuario no deben ser realizados por niños. Los niños no deben jugar con este aparato.
- CUIDADO: Es posible que algunas partes del calefactor alcancen muy altas temperaturas durante el funcionamiento del mismo y provoquen quemaduras. Tenga especial cuidado en presencia de niños y otras personas vulnerables.

- **PRECAUCIÓN:** Mantenga las bolsas y otros accesorios absolutamente fuera del alcance de los niños.
- No toque el exterior del calefactor durante su funcionamiento.
- Cuando el calefactor se enciende por primera vez, es normal notar un olor a nuevo. Utilice el calefactor en una zona bien ventilada durante dos o tres horas.
- Antes de la llegada de cada estación de frío, o cuando el calefactor se haya encontrado desconectado durante días o meses, límpielo antes de volver a conectarlo (para ello, siga los pasos que se describen en la sección 10 «Mantenimiento»). Esta limpieza evitará que se quemé polvo y otros restos acumulados en el aparato.
- Este calefactor **NO** se puede utilizar con unidades programables externas ni ningún otro dispositivo de control de terceros.
- Debido al efecto de convección de este calefactor, junto con otros factores externos, es posible que se produzcan decoloraciones de metales y otras superficies si se encuentran cerca del mismo. Esto puede provocar una decoloración de las superficies metálicas y plásticas.
- Es posible que las fluctuaciones de temperatura provoquen chisporroteos o ruidos en el calefactor. Esto no indica que se haya producido ningún fallo en el aparato.
- La garantía del calefactor no cubre ningún daño que se produzca debido al incumplimiento de estas instrucciones.

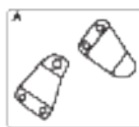
## INSTALACIÓN Y MONTAJE

- Este calefactor puede instalarse sobre sus patas (se suministran) o en la pared (se suministran sujeciones).
- El calefactor no debe instalarse nunca debajo de una toma de corriente, ni en una posición en la que una persona que se encuentre en la bañera o la ducha pueda acceder a los interruptores y otros controles del mismo.
- El calefactor funciona por convección natural de aire. Para que el aparato funcione correctamente y distribuya el aire de manera uniforme, cuando se instale en una pared, la parte inferior del mismo deberá situarse a un mínimo de 20 centímetros del suelo, a un mínimo de 20 centímetros de los laterales, a 50 centímetros de cualquier balda situada sobre el mismo, así como a un mínimo de 20 centímetros de cualquier pared u objeto (muebles y cortinas, etc.).



## INSTALACIÓN EN PARED

1. Elija una ubicación adecuada en la pared, que sea segura y esté nivelada. Compruebe que exista una toma de corriente cerca.
2. Las distancias varían en función del modelo de calefactor.
3. Abra la caja y compruebe que todos los accesorios para la fijación del aparato se encuentran dentro. Puede guardar la caja del producto para almacenarlo cuando no vaya a utilizarlo.



## MONTAJE

1. Respetando las medidas de seguridad que se han mencionado anteriormente, realice dos marcas en la pared según las medidas «a» que se indican en la Tabla 1 y a una altura de 69,5 mm del suelo (no del rodapié).
2. En la zona marcada, haga dos agujeros de 10 mm de diámetro, con una profundidad mínima de 60 mm.



3. Introduzca los dos tacos (D) en los dos orificios y fije los dos ganchos (C) con los dos tornillos (D).
4. Atornille los dos soportes (A) (o un soporte, en función del modelo) a la parte trasera del calefactor con los cuatro tornillos (E) (o dos tornillos, en función del modelo).

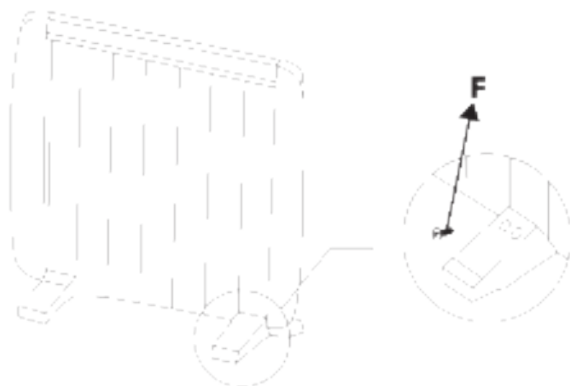


**Nota:** Los dos soportes (A) se atornillan en los orificios situados en la parte posterior inferior del calefactor, en ambos extremos.


5. Cuelgue el calefactor de los dos ganchos (C) de la pared. Asegúrese de que el aparato se sujete correctamente de los dos ganchos.
6. Cuando el calefactor se haya colgado en su sitio, realice dos marcas en la pared en las que se fijarán los dos soportes (A) para asegurar que el calefactor se queda fijado en la pared.
7. Retire el calefactor y realice dos agujeros de 4 mm de diámetro con una profundidad mínima de 25 mm en las dos marcas de la pared.
8. Inserte los dos tacos y fíjelos con los dos tornillos (B) para fijar completamente el calefactor a la pared.

### Instalación de las patas

1. Atornille las dos patas a la parte posterior inferior del calefactor con los cuatro tornillos que se suministran (F), dos tornillos por pata.

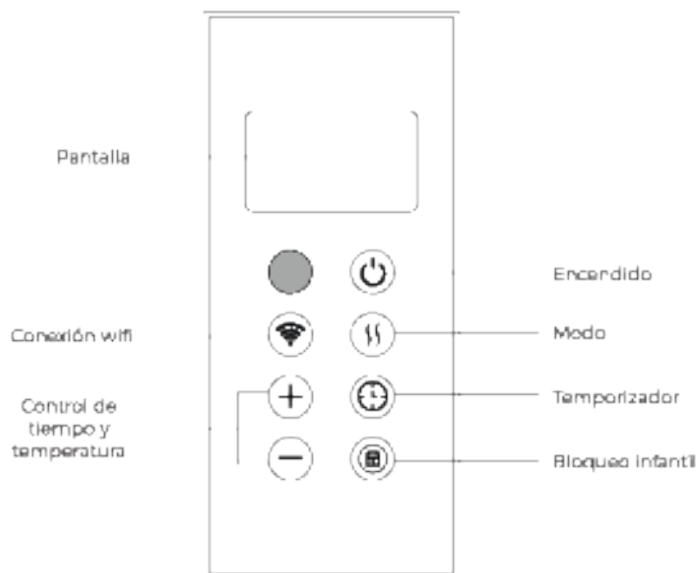


## USO DE LA UNIDAD

- Coloque el calefactor en una superficie plana estable.
- Enchúfelo a cualquier fuente de alimentación de CA de 220-240 V y 50 Hz y, a continuación, encienda el interruptor situado en el lateral. Escuchará un pitido.
- Encienda el calefactor pulsando el botón de encendido , el LED mostrará la temperatura ambiente. A continuación, utilice los controles táctiles o el mando a distancia para ajustar la potencia, la temperatura y la hora.
- Cuando no vaya a utilizar el aparato durante un tiempo prolongado, apáguelo con el interruptor de encendido y desconéctelo del enchufe.
- ¡Advertencia! No cubra el producto. No coloque el aparato debajo de la ducha o en una piscina.

## PANEL DE CONTROL

Inserte el enchufe en una toma de corriente adecuada. Los botones de la pantalla táctil situados en el producto corresponden a las funciones del mando a distancia.



### Potencia

Cuando el producto esté encendido, pulse el botón «Power». Verá la temperatura en la parte superior de la pantalla. El calefactor funciona en condiciones de calefacción de baja potencia.

### Modo

Puede escoger entre el modo bajo o el modo alto.

### Temperatura

La temperatura puede ajustarse entre 16 °C y 40 °C.

La temperatura interna se muestra cada vez que el aparato se enciende. La temperatura se puede ajustar cuando el aparato se encuentra en modo *standby* o de funcionamiento. Cuando la temperatura ambiente alcanza el nivel establecido, la salida de la temperatura máxima se detiene y la salida de la temperatura mínima permanece activa. Cuando la temperatura ambiente se encuentra dos grados por encima de la temperatura establecida, tanto la salida de la temperatura mínima como de la temperatura máxima dejan de funcionar. El aparato solo comenzará a funcionar de nuevo cuando la temperatura disminuya dos grados con respecto a la temperatura que haya establecido.

## ⌚ Temporizador

El botón del temporizador se puede ajustar para encender o apagar al aparato a la hora que desee, con un intervalo de tiempo de entre 1 y 24 horas.

## 🔒 Bloqueo infantil

Presione el botón del bloqueo infantil durante tres segundos para bloquear el calefactor. Para desbloquearlo, vuelva a pulsar el botón durante tres segundos.

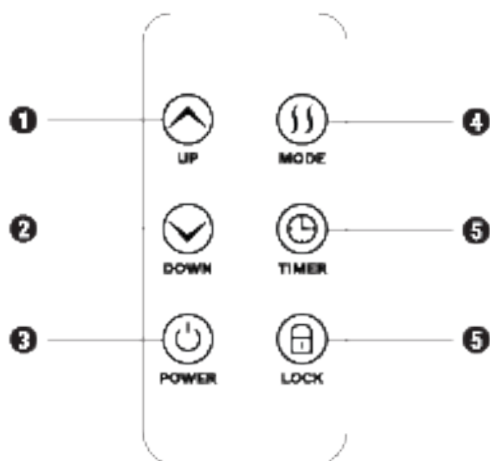
También puede pulsar el botón de modo durante 3 segundos para bloquear o desbloquear la pantalla.

## FUNCIONAMIENTO DEL MANDO A DISTANCIA

Inserte el enchufe en una toma de corriente adecuada.

Los botones de la pantalla táctil situados en el producto corresponden a las funciones del mando a distancia.

1. Subir temp. / tiempo
2. Bajar temp. / tiempo
3. Botón de encendido
4. Modo
5. Temporizador
6. Bloqueo infantil



## LIMPIEZA

- Antes de limpiar el aparato, espere a que se enfríe y desenchúfelo.
- No utilice productos abrasivos ni disolventes. Limpie el producto con un paño húmedo suave.
- Elimine el polvo de la superficie periódicamente.
- No lave el aparato ni lo coloque debajo del agua.
- Si no va a utilizar el aparato durante un tiempo prolongado, limpie la superficie y guárdelo en la caja.
- Debe almacenarlo en una habitación ventilada y seca. Evite la humedad elevada y que se produzca cualquier impacto mecánico sobre el aparato.

**Advertencia:** no deje nunca el calefactor desatendido.

El importador se reserva el derecho de modificar el aspecto y la integridad del artículo sin previo aviso al cliente.

El aparato se ha concebido solo para su uso doméstico.

¡Advertencia! El fabricante no asume ninguna responsabilidad por ningún daño que se produzca directa o indirectamente debido al incumplimiento del presente manual de instrucciones o las normas de seguridad generales, ni debido a interferencias en la fabricación del producto.

## FUNCIÓN WIFI

1. Utilice su teléfono para escanear el código QR que encontrará a continuación o busque «Iko-hs Home» para descargar e instalar la aplicación.
2. Seleccione el prefijo de su país, introduzca su número de móvil y pulse «Obtener» para recibir un mensaje con el código de verificación.
3. Introduzca el código de verificación del mensaje y pulse «Iniciar sesión» para iniciar sesión en la aplicación.
4. Abra la aplicación y pulse «Añadir dispositivo» en la parte inferior.
5. Puede conectar el aparato a la aplicación de dos formas distintas (el modo punto de acceso o el modo de conexión rápida). El modo de conexión rápida es el modo predeterminado. Los usuarios pueden pulsar en la esquina superior derecha para cambiar la forma de conexión al modo punto de acceso.
  - Si desea utilizar el modo de conexión rápida, asegúrese de que la luz de la pantalla del dispositivo esté parpadeando rápidamente.
  - Para el modo punto de acceso, asegúrese de que la luz de la pantalla del dispositivo esté parpadeando lentamente.
  - Si tal y como se ha descrito anteriormente no parpadea ninguna luz, pulse el botón de reinicio del dispositivo durante cinco segundos o más hasta que parpadee correctamente.
6. Seleccione la red wifi, introduzca la contraseña y pulse «Siguiente».
7. Para el modo de conexión rápida, podrá realizar los cambios pertinentes en la interfaz de la aplicación durante el proceso de configuración de la red.
8. El dispositivo ya está conectado correctamente.
9. Una vez que lo haya conectado, pulse «Dispositivos» en la parte inferior. El nombre del dispositivo aparecerá en la lista. Púlselo para acceder al panel de control del conector inteligente.



### Notas:

- Cuando el dispositivo se encuentre conectado a la red, se mostrará un punto verde en la parte delantera del icono del dispositivo.
  - Cuando el dispositivo no se encuentre conectado a la red, se mostrará un punto de color gris.
  - Si comparte el dispositivo con otras personas, aparecerá un bucle doble.
10. En «Mi perfil» puede gestionar sus datos personales como
    - Su nombre de cuenta y su número de teléfono.
    - Información sobre los dispositivos compartidos.
    - Centro de mensajes.
    - Acceda al mismo cuando desee enviar cualquier comentario.
    - Preguntas frecuentes.
    - Cómo vincular el teléfono: si inicia sesión con la cuenta de una red social, puede vincular su número de teléfono con su cuenta.
    - Cómo añadir usuarios para compartir el dispositivo: tal y como se muestra en la imagen, los usuarios pueden introducir el número de móvil de un nuevo miembro para compartir el dispositivo con él. El nuevo miembro podrá controlar el dispositivo con su propia cuenta.

## ESPECIFICACIONES TÉCNICAS

ES	Características	
Potencia	1200W	2000W
Tensión	220-240V	220-240V
Frecuencia	50/60Hz	50/60Hz
Dimensiones	690x580x55mm	970x580x55mm
Modos	2 (low, High)	2 (low, High)

**BEM-VINDO**

Obrigado por escolher o nosso aquecedor. Antes de utilizar o aparelho, leia com atenção estas instruções para garantir a sua utilização correta.

As precauções de segurança em anexo reduzem o risco de morte, lesão ou choque elétrico quando corretamente seguidas. Guarde o manual num local seguro para referência futura, juntamente com o cartão de garantia preenchido, o recibo da compra e a embalagem. Se aplicável, passe estas instruções para o próximo proprietário do dispositivo. Siga sempre as precauções de segurança e as medidas de prevenção de acidentes aquando da utilização de um eletrodoméstico. Não assumimos qualquer responsabilidade por clientes que não cumprem estes requisitos.

**INSTRUÇÕES DE SEGURANÇA**

Aquando da utilização de qualquer eletrodoméstico, devem ser sempre tidas em conta as precauções básicas de segurança.

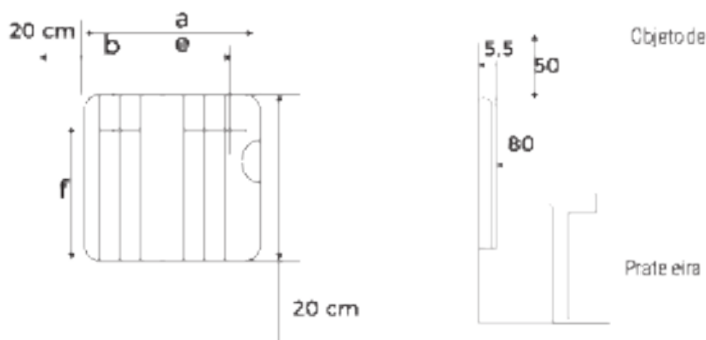
- Retire a ficha da tomada da corrente para desligar o aquecedor. **NÃO** puxe o cabo.
- Não deixe o cabo elétrico em contacto com o aquecedor quando este estiver ligado.
- Durante o funcionamento, certifique-se de que o aquecedor é mantido bem longe de materiais combustíveis como cortinas, tapetes e mobiliário, etc.
- **NÃO CUBRA O AQUECEDOR. NÃO UTILIZE O AQUECEDOR PARA SECAR ROUPAS.** Se o aquecedor estiver coberto, existe um risco sério de sobreaquecimento.
- PERIGO: Se o cabo elétrico estiver danificado, deve ser substituído pelo fabricante, pelo seu serviço pós-venda ou por pessoal plenamente qualificado de modo a prevenir situações de perigo.
- Se o aquecedor for instalado numa casa de banho, deve ser instalado por um eletricista qualificado.
- O aquecedor não deve ser colocado debaixo ou à frente de uma tomada da corrente.
- Quando deitar fora o aquecedor, todos os requisitos estabelecidos na legislação atual para o processamento e reciclagem de resíduos devem ser cumpridos.
- A instalação deve ser realizada em conformidade com a legislação elétrica atual.
- O aquecedor deve ter uma ligação à terra.
- O aquecedor deve ser instalado de modo a que a tomada da corrente esteja sempre acessível.
- Este aquecedor não deve ser embutido numa parede. Respeite sempre as distâncias de segurança.
- Está equipado com um sistema de bloqueio para prevenir que as crianças brinquem com a programação do aquecedor.
- O aquecedor não foi concebido para ser manuseado por crianças ou pessoas com deficiências físicas, mentais ou sensoriais com pouca experiência ou conhecimento, salvo sob supervisão de uma pessoa responsável pela sua segurança e em posse das instruções de utilização correspondentes. As crianças devem ser supervisionadas para garantir que não brincam com o aquecedor.
- As crianças com idade inferior a 3 anos devem ser mantidas longe do aquecedor, salvo sob supervisão constante.
- As crianças com idade inferior a 3 anos devem ser mantidas longe do aquecedor, salvo sob supervisão contínua. As crianças com idades compreendidas entre 3 e 8 anos apenas devem ligar ou desativar o aparelho se tirer sido colocado ou instalado na sua posição de funcionamento normal e se forem supervisionadas ou tiverem recebido instruções sobre a utilização segura do aparelho e tiverem compreendido os riscos implicados. As crianças com idades compreendidas entre 3 e 8 anos não podem ligar o aparelho à tomada, regular e limpar o aparelho ou realizar a manutenção de utilizador.
- Este aparelho pode ser utilizado por crianças com idade igual ou superior a 8 anos e por pessoas com deficiências físicas, sensoriais ou mentais ou sem experiência nem conhecimento, desde que tenham sido devidamente treinadas e estejam sob a supervisão de alguém que compreende os riscos. A limpeza e a manutenção devem ser realizadas pelo utilizador; não devem ser realizadas por crianças. As crianças não devem brincar com o eletrodoméstico.
- **PRECAUÇÃO:** Determinadas peças do aquecedor podem ficar muito quentes durante o funcionamento e causar queimaduras. Deve ter-se especial cuidado quando estão presentes crianças e outras pessoas vulneráveis.



- **CUIDADO:** Mantenha sacos e outros acessórios fora do alcance das crianças.
- Não toque na parte exterior do aquecedor durante o funcionamento.
- É normal notar um novo odor quando o aquecedor é ligado pela primeira vez. Deixe o aquecedor a trabalhar numa área bem ventilada durante 2 ou 3 horas.
- Antes de cada estação fria ou se o aquecedor estiver desligado durante vários dias/meses, deve ser limpo antes de o voltar a ligar (siga os passos na secção 10 "Manutenção"). Esta limpeza irá prevenir a queima de pó acumulado e outros vestígios.
- O aquecedor **NÃO PODE** ser utilizado com unidades programáveis externas ou qualquer outro dispositivo de terceiros.
- Devido ao efeito de convecção deste aquecedor, juntamente com outros fatores externos, a descoloração de metal e outras superfícies pode ser causado em caso de proximidade ao aquecedor. Isto pode causar a descoloração de metal e superfícies de plástico.
- As variações de temperatura podem causar crepitações ou ruídos do aquecedor. Isto não é uma indicação de avaria.
- A garantia do aquecedor não cobre qualquer dano causado pelo incumprimento destas instruções.

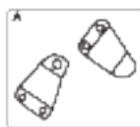
## INSTALAÇÃO E MONTAGEM

- Este aquecedor pode ser instalado nos pés (fornecidos) ou numa parede (elementos de fixação incluídos).
- O aquecedor nunca deve ser instalado debaixo de uma tomada de parede de corrente.
- O aquecedor nunca deve ser instalado numa posição na qual os interruptores e outros acessos são acessíveis por alguém na banheira ou no duche.
- O aquecedor trabalha através da convecção de ar natural. Para conseguir um desempenho correto e uma distribuição uniforme do calor, quando for instalado numa parede, a parte inferior do aquecedor deve estar, no mínimo, a 20 cm do chão, no mínimo, a 20 cm dos lados, a 50 cm de uma prateleira superior e também, no mínimo, a 20 cm de qualquer parede ou objeto (mobiliário e cortinas, etc).



## INSTALAÇÃO NA PAREDE

1. Escolha uma localização adequada na parede, que deve ser firme e nivelada. Verifique se existe alguma tomada de corrente na proximidade.
2. As distâncias podem variar dependendo do modelo do aquecedor.
3. Abra a caixa da embalagem e verifique se todos os acessórios de fixação estão presentes; pode ser uma boa ideia guardar a caixa do produto para armazenar fora da estação.



## MONTAGEM

1. Respeitando as medidas de segurança indicadas anteriormente, faça duas marcações na parede em conformidade com a medida "e" indicada na Tabela 1 e a uma altura de 69,5 mm do chão (não a partir do rodapé).
2. Na área marcada, faça dois orifícios com 10 mm de diâmetro, com uma profundidade mínima de 60 mm.



3. Empurre as duas buchas (D) nos dois orifícios e fixe os dois ganchos (C) com os dois parafusos (D).
4. Aparafuse as duas estruturas de suporte (A) (ou uma estrutura de suporte, dependendo do modelo) na parte de trás do aquecedor com quatro parafusos (E) (ou dois parafusos, dependendo do modelo).

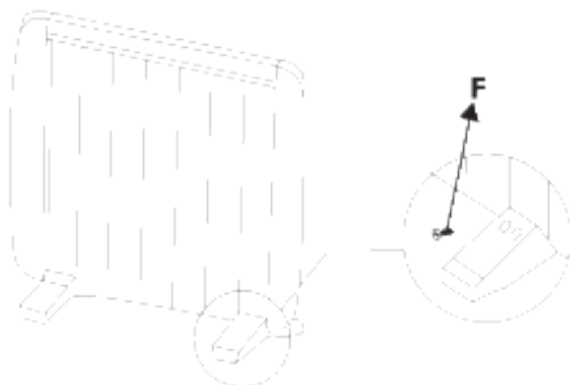


**Nota:** As duas estruturas (A) são aparafusadas nos orifícios localizados na parte traseira inferior do aquecedor, nas duas extremidades.


5. Pendure o aquecedor nos dois ganchos (C) na parede. Certifique-se de que o aquecedor fica corretamente preso nos dois ganchos.
6. Quando o aquecedor for pendurado, faça duas marcações na parede nos locais onde as duas estruturas (A) serão fixadas, para garantir que o aquecedor é fixado à parede.
7. Retire o aquecedor e faça dois orifícios com 4 mm de diâmetro e uma profundidade mínima de 25 mm nas duas marcações na parede.
8. Insira as duas buchas e prenda com os dois parafusos (B) para fixar completamente o aquecedor à parede.

**Instalar os pés**

1. Aparafuse os dois pés na parte traseira inferior do aquecedor com os quatro parafusos fornecidos (F): dois parafusos por pé.

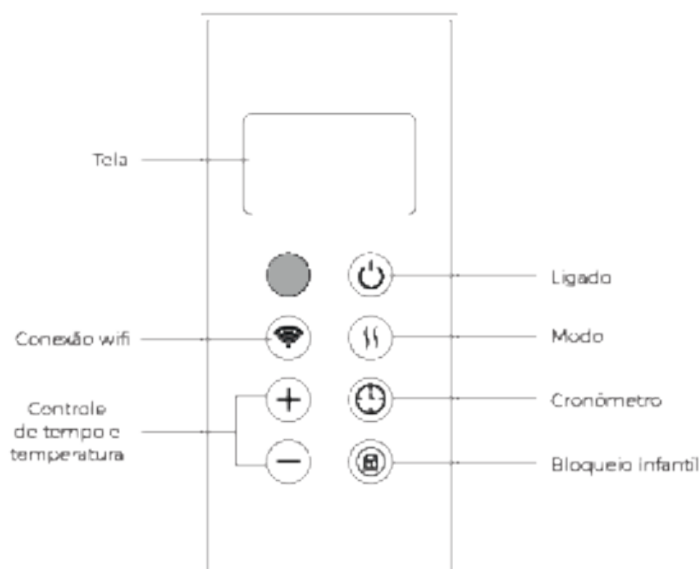


## UTILIZAÇÃO DO ARTIGO

- Coloque o aquecedor numa superfície plana e estável.
- Ligue a uma fonte CA de 220-240 V, 50 Hz e, depois, vire o interruptor de lado e ouvirá o som "DI".
- Ligue o aquecedor ao premir o botão de energia ; o LED irá apresentar a temperatura da divisão e, em seguida, utilize os controlos tácteis ou comando à distância para configurar a potência, temperatura e tempo.
- Se o aparelho não for utilizado durante um período de tempo prolongado, desligue-o no botão de energia e retire a tomada da ficha.
- Aviso! Não cubra o produto! O ventilador não deve ser colocado debaixo do duche nem numa piscina.

## PAINEL DE CONTROLO

Ligue a ficha numa tomada elétrica adequada. Os botões do ecrã tátil localizado no produto correspondem às funções do comando à distância.



### Potência

Quando o produto estiver ligado, prima o botão de energia. A parte superior do ecrã apresenta a temperatura. O aquecedor está a funcionar em condições de aquecimento de potência baixa.

### Modo

Grau baixo, alto grau.

### Temperatura

A temperatura pode ser definida entre 16 °C e 40 °C.

A temperatura interna é apresentada sempre que o aparelho é ligado. A temperatura pode ser definida quando o aparelho estiver em standby ou a aquecer. Quando a temperatura da divisão atingir o nível definido, a potência de alta temperatura vai parar e a potência de baixa temperatura permanece ativa. Quando a temperatura da divisão estiver dois graus acima da temperatura definida, as potências de alta e baixa temperatura irão parar. A máquina começará a operar novamente apenas quando a temperatura descer dois graus relativamente à temperatura definida.

## ⌚ Temporizador

O temporizador pode ser configurado para ligar ou desligar o aparelho na altura desejada, com um intervalo de tempo entre 1 a 24 horas.

## 🔒 Bloqueio de crianças

Prima o botão de bloqueio de crianças durante 3 segundos para bloquear o aquecedor. Depois de premir novamente o botão de Bloqueio de crianças durante 3 segundos, o aquecedor será desbloqueado.

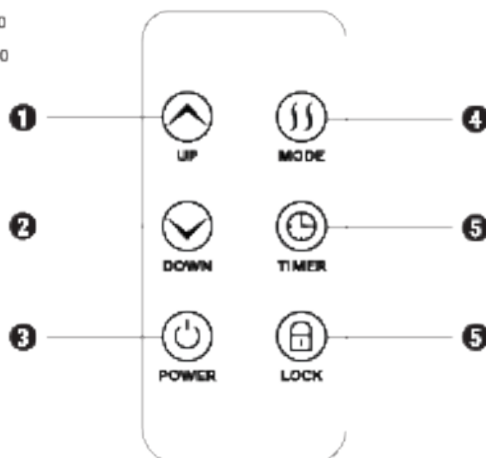
Você também pode pressionar o botão de modo no painel de controle por 3 segundos para bloquear a tela ou desbloqueá-la.

## FUNCIONAMENTO DO COMANDO À DISTÂNCIA

Ligue a ficha numa tomada elétrica adequada.

Os botões do ecrã tátil localizado no produto correspondem às funções do comando à distância.

1. Elevar temperatura / tempo
2. Menor temperatura / tempo
3. Botão de alimentação
4. Modo
5. Cronómetro
6. Bloqueio infantil



## LIMPEZA

- Antes de limpar o artigo, espere que arrefeça e desligue da ficha.
- Não utilize produtos de limpeza abrasivos nem solventes. Limpe o produto com um pano húmido suave.
- O pó deve ser frequentemente removido da superfície.
- Não lave o artigo nem o coloque dentro de água!
- Se não utilizar o aparelho durante um período de tempo prolongado, limpe a superfície e coloque o artigo na caixa.
- Deve ser colocado numa divisão seca e ventilada. Evite elevados níveis de humidade e o impacto mecânico do artigo.

**Aviso:** nunca deixe o aquecedor a funcionar sozinho!

O importador reserva-se o direito de alterar a aparência e integridade do artigo sem avisar previamente o cliente.

Este artigo destina-se apenas a uma utilização doméstica.

**Aviso!** O fabricante não assumirá qualquer responsabilidade por danos causados diretamente ou indiretamente pelo incumprimento deste manual de instruções ou de regras de segurança geral ou pela interferência da construção do produto.

## FUNÇÃO DE WI-FI

1. Utilize o seu telemóvel para digitalizar o código QR abaixo ou procure "Ikoos Home" para descarregar e instalar a aplicação.
2. Seleccione o código do seu país, introduza o seu número de telemóvel e toque em "Obter" para receber uma mensagem com um código de verificação.
3. Introduza o código de verificação da mensagem e toque em "Iniciar sessão" para iniciar sessão na aplicação.
4. Aceda à aplicação e toque em "adicionar dispositivo" na parte inferior.
5. Existem dois métodos de ligação da aplicação (modo hotspot e modo de ligação rápida). O modo de ligação rápida é a pré-definição. Os utilizadores podem tocar no canto superior direito para passar do modo de ligação para o modo de hotspot.
  - No modo de ligação rápida, certifique-se de que a luz de instrução do dispositivo está a piscar rapidamente.
  - No modo de hotspot, certifique-se de que a luz de instrução do dispositivo está a piscar lentamente.
  - Se a luz não estiver a piscar conforme descrito acima, prima o botão de reposição do dispositivo durante 5 segundos ou mais até piscar corretamente.
6. Seleccione o Wi-Fi, introduza a palavra-passe e toque em "Seguir".
7. No modo de ligação rápida, a interface da aplicação realizará as alterações durante os processos de configuração de rede.
8. O dispositivo está ligado corretamente.
9. Depois do dispositivo ser ligado corretamente, toque em "Dispositivos" na parte inferior. O nome do dispositivo é apresentado na lista. Toque no mesmo para entrar no painel de controlo da tomada inteligente.



### Notas:

- Quando o dispositivo estiver online, verá um ponto verde na parte da frente do ícone de dispositivos.
  - Quando o dispositivo estiver offline, o ponto será cinzento.
  - Se o dispositivo for partilhado por outras pessoas, haverá um laço duplo.
10. A secção "O meu perfil" é onde os utilizadores podem gerir as informações pessoais.
    - Informações pessoais: incluindo nome da conta e número de telemóvel.
    - Informação de dispositivos partilhados.
    - Centro de mensagens.
    - Entrada para enviar feedback.
    - Perguntas frequentes.
    - Associação de telemóvel: se iniciar sessão com a conta de uma rede social, pode associar o seu número de telemóvel à sua conta.
    - Sobre a funcionalidade Adicionar partilha: Conforme apresentado na imagem, os utilizadores podem introduzir um novo número de telemóvel e partilhar o dispositivo. O novo membro poderá controlar o dispositivo com a respetiva conta.

## ESPECIFICAÇÕES TÉCNICAS

PT	Características	
Potência	1200W	2000W
Voltagem	220-240V	220-240V
Frequência	50/60Hz	50/60Hz
Dimensões	690x580x55mm	970x580x55mm
Modes	2 (low, High)	2 (low, High)

## BIENVENUE

---

Nous vous remercions d'avoir choisi notre radiateur. Avant d'utiliser l'appareil, lisez attentivement ces instructions pour vous assurer de l'utiliser correctement.

Les précautions de sécurité contenues dans le présent document réduisent le risque de mort, de blessure et d'électrocution, lorsqu'elles sont observées correctement. Rangez ce manuel, la carte de garantie dûment complétée, le reçu d'achat et l'emballage dans un endroit sûr pour toute référence future. Transmettez, le cas échéant, ces instructions au prochain propriétaire de cet appareil. Veillez à toujours respecter les consignes de sécurité élémentaires ainsi que les mesures visant à prévenir les accidents lorsque vous utilisez des appareils électroménagers. Nous n'assumons aucune responsabilité pour les clients qui ne se conforment pas à ces exigences.

## CONSIGNES DE SÉCURITÉ

---

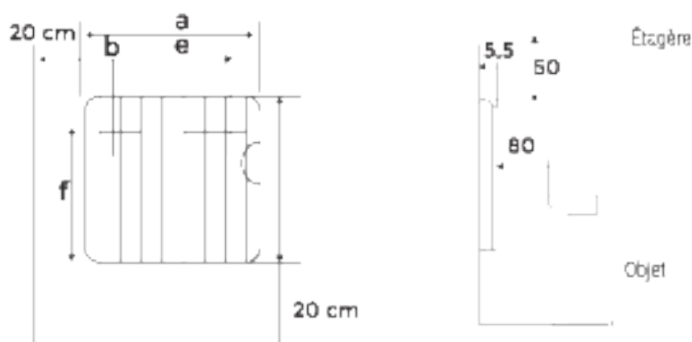
Des précautions élémentaires de sécurité doivent toujours être observées lors de l'utilisation d'un appareil électrique.

- Débranchez la fiche de la prise de courant pour déconnecter le radiateur. Ne tirez PAS sur le câble.
- Veillez à ce que le câble électrique ne soit pas en contact avec le radiateur quand celui-ci est allumé.
- Pendant l'utilisation, veillez à maintenir le radiateur éloigné de tous matériaux combustibles tels que les rideaux, les tapis, les meubles, etc.
- NE COUVREZ PAS LE RADIATEUR. N'UTILISEZ PAS LE RADIATEUR POUR SÉCHER DES VÊTEMENTS. Si le radiateur est couvert, il existe un risque sérieux de surchauffe.
- DANGER : Si le câble électrique est endommagé, il doit être remplacé par le fabricant, par son service après-vente ou par un personnel dûment qualifié afin d'éviter toute situation dangereuse.
- Si le radiateur est destiné à être installé dans une salle de bains, il doit être installé par un électricien qualifié.
- Le radiateur ne doit pas être placé sous ou devant une prise de courant.
- Lors de l'élimination du radiateur, toutes les exigences établies par la législation en vigueur en matière de traitement et recyclage des déchets doivent être respectées.
- L'installation doit être effectuée conformément à la législation électrique en vigueur.
- Ce radiateur doit disposer d'une mise à la terre.
- Le radiateur doit être installé de manière à ce que la fiche secteur soit toujours accessible.
- Ce radiateur ne peut pas être encastré dans un mur. Veillez à toujours respecter les distances de sécurité.
- Un système de verrouillage est prévu pour empêcher les enfants de jouer avec la programmation de l'appareil.
- Ce radiateur n'est pas conçu pour être manipulé par des enfants ou par des personnes atteintes d'un handicap physique, mental ou sensoriel et ayant peu d'expérience ou de connaissances, à moins qu'elles ne soient sous la supervision d'une personne responsable de leur sécurité et en possession des instructions d'utilisation correspondantes. Les enfants doivent être surveillés pour s'assurer qu'ils ne jouent pas avec le radiateur.
- Les enfants de moins de trois ans doivent être tenus éloignés du radiateur, à moins qu'ils ne fassent l'objet d'une surveillance permanente.
- Les enfants de moins de trois ans doivent être tenus à l'écart à moins qu'ils ne fassent l'objet d'une surveillance continue. Les enfants âgés de trois à huit ans ne doivent allumer/éteindre l'appareil que s'il a été placé ou installé dans sa position normale de fonctionnement prévue et si ces enfants sont surveillés ou instruits sur la manière d'utiliser l'appareil en toute sécurité et qu'ils en comprennent les dangers. Les enfants âgés de trois à huit ans ne doivent pas brancher, régler et nettoyer l'appareil ou réaliser des travaux d'entretien.
- Cet appareil peut être utilisé par des enfants âgés de huit ans et plus et par des personnes souffrant d'un handicap physique, sensoriel ou mental ou n'ayant pas d'expérience ou de connaissances, à condition qu'ils aient été dûment formés et soient supervisés par une personne qui comprend les dangers. Les tâches de nettoyage et d'entretien à effectuer par l'utilisateur ne doivent pas être réalisées par des enfants. Les enfants ne doivent pas jouer avec l'appareil.
- PRÉCAUTION : Certaines parties de ce radiateur peuvent devenir très chaudes pendant le fonctionnement et causer des brûlures. Une attention particulière doit être portée à la présence d'enfants et d'autres personnes vulnérables.

- **ATTENTION** : veillez à maintenir les sachets et autres accessoires hors de la portée des enfants.
- Ne touchez pas l'extérieur de l'appareil de chauffage pendant son utilisation.
- Il est tout à fait normal de remarquer une nouvelle odeur lorsque le radiateur est mis en marche pour la première fois. Veillez à utiliser votre radiateur dans un endroit bien ventilé pendant deux ou trois heures.
- Avant chaque saison froide, ou si le radiateur a été éteint pendant plusieurs jours/mois, il faut procéder au nettoyage du radiateur avant de le rallumer (suivre les étapes du chapitre 10 « Maintenance »). Ce nettoyage empêchera la combustion de la poussière accumulée et d'autres résidus.
- Ce radiateur NE PEUT PAS être utilisé avec des unités programmables externes ou avec tout autre dispositif de commande d'une tierce partie.
- En raison de l'effet de convection de ce radiateur, ainsi que d'autres facteurs externes, les surfaces métalliques et autres situées à proximité du radiateur pourraient être sujettes à décoloration. Cet effet de convection peut entraîner une décoloration des surfaces métalliques et plastiques.
- Les variations de température peuvent provoquer des craquements ou des bruits du radiateur. Ce ne sont pas des signes indicateurs d'une défaillance.
- La garantie du radiateur ne couvre pas les dommages causés par le non-respect de ces instructions.

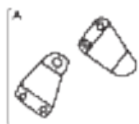
## INSTALLATION ET MONTAGE

- Ce radiateur peut être installé sur des pieds (fournis) ou peut être fixé au mur (éléments de fixation fournis).
- Le radiateur ne doit en aucun cas être installé sous une prise de courant murale.
- Le radiateur ne doit en aucun cas être installé dans une position où les interrupteurs et autres commandes sont accessibles à une personne se trouvant dans la baignoire ou dans la douche.
- Le radiateur fonctionne par convection naturelle de l'air. Afin d'obtenir des performances correctes et une distribution uniforme de la chaleur, en cas d'installation murale du radiateur, la partie inférieure du radiateur doit être située à 20 cm du sol au moins, avec un espace libre de 20 cm au moins sur les côtés, à 50 cm d'une étagère supérieure et également à 20 cm au moins de tout autre mur ou objet (meubles, rideaux, etc.).



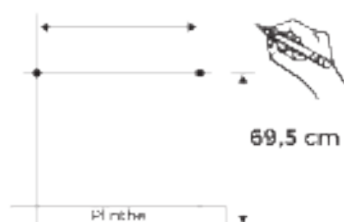
## INSTALLATION MURALE

1. Choisir un emplacement approprié sur le mur. Cet emplacement doit être ferme et à niveau. Vérifier qu'il y a une prise de courant à proximité.
2. Les distances varient en fonction du modèle de radiateur.
3. Ouvrir la boîte d'emballage et vérifier que tous les accessoires de fixation sont présents. Nous recommandons de garder la boîte d'emballage pour entreposer le radiateur hors saison.



## ASSEMBLAGE

1. Tout en veillant à respecter les mesures de sécurité indiquées précédemment, faire deux marques sur le mur selon la mesure « e » indiquée dans le Tableau 1 et à une hauteur de 695 mm du sol (et non pas de la plinthe).
2. Percer deux trous de 10 mm de diamètre au niveau des marques, avec une profondeur minimale de 60 mm.



3. Introduire deux chevilles (D) dans les deux trous et fixer les deux crochets (C) avec les deux vis (D).
4. Visser les deux supports (A) (ou un seul support, suivant le modèle) à l'arrière de l'appareil avec les quatre vis (E) (ou deux vis, selon le modèle).

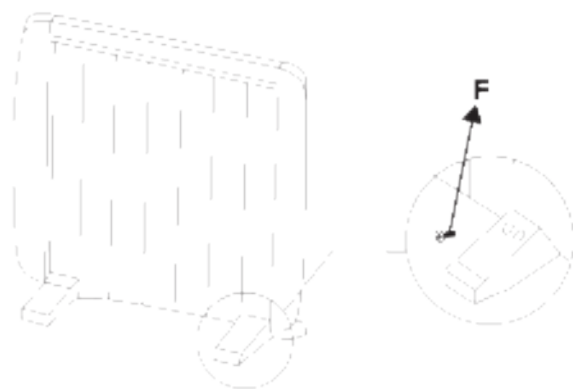


**Remarque :** les deux supports (A) sont vissés aux trous situés sur la partie inférieure du radiateur, aux deux extrémités.

5. Accrocher le radiateur aux deux crochets muraux (C). S'assurer que le radiateur est fixé correctement sur les deux crochets.
6. Lorsque le radiateur est accroché à sa place, faire deux marques sur le mur à l'endroit où les deux supports (A) seront fixés pour s'assurer que le radiateur est fixé au mur.
7. Retirer le radiateur et percer deux trous de 4 mm de diamètre avec une profondeur minimale de 25 mm au niveau des deux marques sur le mur.
8. Insérer les deux chevilles et achever la fixation avec les deux vis (B) pour fixer complètement l'appareil au mur.


### Installation des pieds

1. Visser les deux pieds sur la partie arrière inférieure du radiateur avec les quatre vis fournies (F) : deux vis par pied.



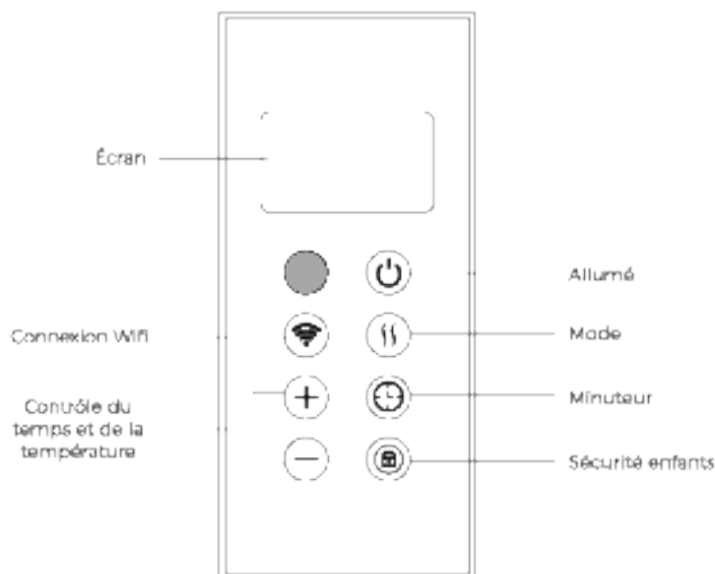


## UTILISATION DE L'APPAREIL

- Placer le radiateur sur une surface plane et stable.
- Connecter à une source CA 220-240 V, 50 Hz, puis faire pivoter l'interrupteur sur le côté. Vous entendrez le son « Di ».
- Allumer le radiateur en appuyant sur le bouton d'alimentation «  ». Le voyant LED affichera la température ambiante. Utiliser ensuite les commandes tactiles ou la télécommande pour régler la puissance, la température et la durée de fonctionnement.
- Si l'appareil n'est pas utilisé pendant une période prolongée, il faut l'éteindre en utilisant l'interrupteur et le débrancher.
- Avertissement ! Ne couvrez pas l'appareil ! Le convecteur ne doit pas être placé sous la douche ou dans une piscine.

## TABLEAU DE COMMANDE

Insérer la fiche dans une prise de courant appropriée. Les touches de l'écran tactile sur l'appareil correspondent aux fonctions de la télécommande.



### Puissance

Lorsque l'appareil est sous tension, appuyer sur le bouton d'alimentation. La partie supérieure de l'affichage indique la température. Le radiateur fonctionne dans des conditions de chauffage de faible puissance.

### Mode

Bas grade, haut grade.

### °C Température

La température peut être réglée entre 16° C et 40° C.

La température intérieure est affichée à chaque démarrage de l'appareil. La température peut être réglée lorsque l'appareil est en mode veille ou en mode chauffage. Lorsque la température ambiante atteint le niveau programmé, le réglage de puissance haute température s'arrête et le réglage de puissance basse température reste actif. Lorsque la température ambiante dépasse la température programmée de deux degrés, les deux réglages de puissance haute et basse température cessent de fonctionner. L'appareil ne recommencera à fonctionner que lorsque la température sera inférieure de deux degrés à la température programmée.

## ⌚ Minuterie

Le bouton de la minuterie peut être utilisé pour démarrer ou arrêter l'appareil à l'heure souhaitée, avec un intervalle de temps allant de 1 à 24 heures.

## 🔒 Verrouillage enfant

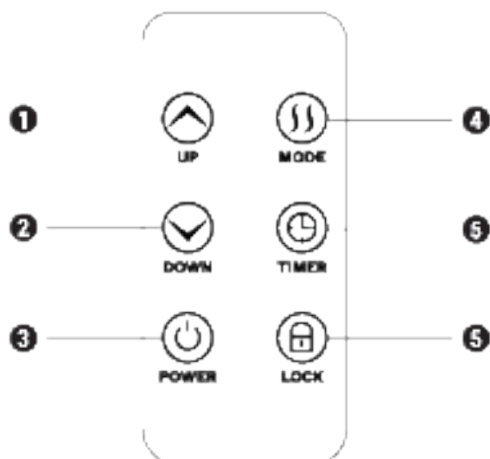
Appuyer sur la touche de verrouillage enfant pendant trois secondes pour verrouiller le radiateur. Une nouvelle pression de la touche de verrouillage enfant pendant trois secondes a pour effet de déverrouiller le radiateur. Vous pouvez également appuyer sur le bouton de mode sur le panneau de commande pendant 3 secondes pour verrouiller l'écran ou le déverrouiller.

## FONCTIONNEMENT DE LA TÉLÉCOMMANDE

Insérer la fiche dans une prise de courant appropriée.

Les touches de l'écran tactile sur l'appareil correspondent aux fonctions de la télécommande.

1. Augmenter la température / le temps
2. Température / temps plus bas
3. Bouton d'allumage
4. Mode
5. Minuteur
6. Sécurité enfants



## NETTOYAGE

- Avant de nettoyer l'appareil, il faut le laisser refroidir et le débrancher.
- Ne pas utiliser de produits abrasifs ni de solvants. Essuyer le radiateur à l'aide d'un chiffon doux humide.
- La poussière doit être régulièrement éliminée de la surface de l'appareil.
- Ne pas laver l'appareil et ne pas le plonger dans l'eau !
- Si vous prévoyez de ne pas utiliser le radiateur pendant une période de temps prolongée, essuyez la surface et placez l'appareil dans la boîte.
- Il doit être entreposé dans un endroit sec et ventilé. Veiller à éviter des taux d'humidité élevés et tout impact mécanique sur l'appareil.

**Avertissement :** ne jamais laisser l'appareil sans surveillance !

L'importateur se réserve le droit de modifier l'aspect et la composition de l'appareil sans en informer préalablement le client. Cet appareil est destiné à un usage domestique uniquement.

**Avertissement !** Le fabricant décline toute responsabilité pour les dommages causés directement ou indirectement par le non-respect du présent manuel d'utilisation ou des consignes générales de sécurité, ou par toute interférence avec la structure de l'appareil.

## FONCTION WI-FI

- Utilisez votre téléphone pour scanner le code QR ci-dessous ou recherchez « Ikoos Home » pour télécharger et installer l'application.
- Sélectionnez votre code de pays, saisissez votre numéro de téléphone portable et appuyez sur « Get » pour recevoir un message contenant un code de vérification.
- Saisissez le code de vérification figurant dans le message et appuyez sur « Login » pour vous connecter à l'application.
- Accédez à l'application, appuyez sur « add device » (ajouter un dispositif) dans le bas.
- Il existe deux méthodes de connexion pour l'application (mode hotspot et mode de connexion rapide). Le mode de connexion rapide est le mode par défaut. Les utilisateurs peuvent appuyer sur le coin supérieur droit pour passer au mode de connexion hotspot.
  - Pour le mode de connexion rapide, veuillez vous assurer que le voyant de l'instructeur du dispositif clignote rapidement.
  - Pour le mode hotspot, veuillez vous assurer que le voyant de l'instructeur du dispositif clignote lentement.
  - Si le voyant ne clignote pas comme décrit ci-dessus, appuyez sur le bouton de réinitialisation du dispositif pendant cinq secondes ou plus longtemps jusqu'à ce que le voyant clignote correctement.
- Sélectionnez la connexion Wi-Fi, saisissez le mot de passe et appuyez sur « Next » (Suivant).
- Pour le mode de connexion rapide, l'interface de l'application effectuera les modifications opportunes au cours des processus de configuration du réseau.
- Le dispositif est maintenant connecté.
- Une fois que le dispositif s'est connecté correctement, appuyez sur « Devices » (Dispositifs) dans la partie inférieure. Le nom du dispositif apparaît dans la liste. Appuyez sur son nom pour accéder au panneau de commande de la prise intelligente.



### Remarques :

- Lorsque le dispositif est en ligne, un point vert apparaît sur la partie frontale de l'icône du dispositif.
  - Lorsque le dispositif est hors ligne, le point apparaît en gris.
  - Si le dispositif est partagé avec d'autres utilisateurs, vous verrez apparaître une boucle double.
- « Mon profil » est la rubrique où les utilisateurs peuvent gérer leurs informations personnelles.
    - Informations personnelles : y compris le nom du compte et le numéro de téléphone portable.
    - Informations sur les dispositifs partagés.
    - Centre de messages.
    - Accéder pour envoyer vos commentaires.
    - F.A.Q.
    - Mise en lien du téléphone : si vous vous connectez à un compte de réseau social, vous pouvez associer votre numéro de téléphone à votre compte.
    - À propos de la fonctionnalité d'ajout de partage : Comme indiqué dans l'illustration, les utilisateurs peuvent saisir le numéro de téléphone portable d'un nouveau membre et partager le dispositif avec ce nouveau membre. Le nouveau membre peut alors contrôler le dispositif depuis son propre compte.

## CARACTÉRISTIQUES TECHNIQUES

FR	Caractéristiques	
Puissance	1200W	2000W
Tension	220-240V	220-240V
Fréquence	50/60Hz	50/60Hz
Dimensions	690x580x55mm	970x580x55mm
Modes	2 (low, High)	2 (low, High)

## BENVENUTO

---

Grazie per aver scelto il nostro riscaldatore. Prima di usare l'apparecchio, leggere attentamente le istruzioni al fine di garantirne l'uso corretto.

Rispettando le misure di sicurezza riportate si riduce il rischio di morte, lesioni e scosse elettriche. Conservare il manuale in un posto sicuro per future consultazioni, insieme alla scheda di garanzia compilata, la prova di acquisto e l'imballaggio. Se necessario, consegnare le presenti istruzioni al prossimo proprietario dell'apparecchio. Quando si utilizza un elettrodomestico seguire sempre le misure di sicurezza di base, nonché quelle di prevenzione degli infortuni. Decliniamo ogni responsabilità per i clienti che non rispettano questi requisiti.

## ISTRUZIONI DI SICUREZZA

---

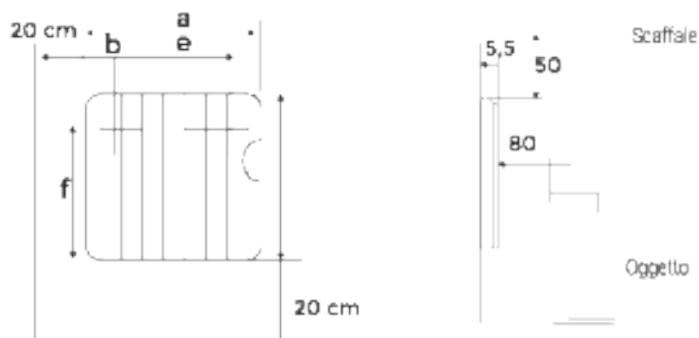
Quando si utilizza un elettrodomestico, osservare sempre le misure di sicurezza di base.

- Estrarre la spina dalla presa di alimentazione per scollegare il riscaldatore. **NON** tirare il cavo.
- Non lasciare il cavo di alimentazione a contatto con il riscaldatore quando esso è acceso.
- Durante il suo funzionamento, tenere il riscaldatore lontano da materiali infiammabili, come tende, tappeti, mobili, ecc.
- **NON COPRIRE IL RISCALDATORE. NON USARE IL RISCALDATORE PER ASCIUGARE I VESTITI.** Se il riscaldatore è coperto, c'è il serio rischio di surriscaldamento.
- **PERICOLO:** Se il cavo di alimentazione è danneggiato, dovrà essere sostituito dal fabbricante, dal servizio postvendita o da personale altamente qualificato per prevenire eventuali situazioni pericolose.
- Se collocato in una sala da bagno, il riscaldatore dovrà essere installato da un elettricista qualificato.
- Il riscaldatore non dovrà trovarsi sotto o di fronte alla presa di alimentazione.
- Per lo smaltimento del riscaldatore è d'obbligo seguire tutti i requisiti stabiliti dalla legislazione vigente per la trasformazione e il riciclaggio dei rifiuti.
- L'installazione deve essere eseguita nel rispetto della legislazione del settore elettrico in vigore.
- Il riscaldatore deve essere dotato di messa a terra.
- Il riscaldatore deve essere installato in modo che la spina di alimentazione sia sempre accessibile.
- Il riscaldatore non può essere incassato nel muro. Rispettare sempre le distanze di sicurezza.
- È previsto un sistema di blocco per evitare che i bambini giochino con i comandi del riscaldatore.
- Il riscaldatore non è stato progettato per essere maneggiato da bambini o persone con disabilità fisiche, mentali o sensoriali e con una scarsa esperienza o conoscenza, se non sotto la supervisione di una persona responsabile per la loro sicurezza e in possesso delle relative istruzioni per l'uso. I bambini devono essere supervisionati per evitare che giochino con il riscaldatore.
- I bambini di età inferiore a tre anni devono essere tenuti lontano dal riscaldatore, a meno che non siano controllati costantemente.
- I bambini di età inferiore a tre anni devono essere tenuti lontano, a meno che non siano controllati continuamente. I bambini di età compresa tra tre e otto anni potranno solo accendere o spegnere l'apparecchio, se esso è stato installato nella sua posizione normale di funzionamento, supervisionati od opportunamente istruiti sull'uso sicuro dell'apparecchio comprendendone i relativi rischi. I bambini di età compresa tra tre e otto anni non possono inserire la spina, regolare e pulire l'apparecchio o eseguire operazioni di manutenzione.
- Questo apparecchio può essere adoperato da bambini a partire dagli otto anni e da persone con disabilità fisiche, sensoriali o mentali o prive di esperienza o conoscenza, a condizione che siano stati opportunamente istruiti e siano supervisionati da qualcuno che ne comprende i rischi. La pulizia e la manutenzione devono essere eseguite dall'utente ma non da bambini. I bambini non devono giocare con l'apparecchio.
- **AVVERTENZA:** Alcune parti del riscaldatore possono riscaldarsi notevolmente durante il funzionamento e causare scottature. È necessario prestare particolare attenzione in presenza di bambini e persone vulnerabili.
- **ATTENZIONE:** Mantenere borse e altri accessori ben lontani dalla portata dei bambini.
- Non toccare l'esterno del riscaldatore quando è in funzione.

- È abbastanza normale notare un odore di nuovo quando il riscaldatore viene acceso per la prima volta. Provvedere a far funzionare il riscaldatore in una zona ben ventilata per due o tre ore.
- All'inizio di ogni stagione fredda, o se il riscaldatore è stato spento per diversi giorni/mesi, dovrà essere pulito prima di essere acceso nuovamente (seguire i passi indicati nella sezione 10 "Manutenzione"). Questa pulizia eviterà che la polvere accumulata e altri residui si brucino.
- Il riscaldatore NON può essere avviato mediante unità esterne programmabili o qualunque altro dispositivo di controllo terzo.
- A causa dell'effetto convettivo del riscaldatore, unito ad altri fattori esterni, in prossimità dell'apparecchio il metallo o altre superfici potrebbero subire scolorimenti. L'apparecchio può causare scolorimenti in superfici di metallo o plastica.
- Le variazioni di temperatura possono causare scoppiettii o rumorosità del termocconvettore. Ciò non indica un malfunzionamento.
- La garanzia del riscaldatore non copre nessun danno causato dall'inosservanza di queste istruzioni.

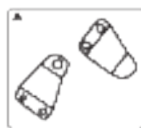
## INSTALLAZIONE E MONTAGGIO

- Questo riscaldatore può essere installato su piedini (in dotazione) o sul muro (accessori di fissaggio in dotazione).
- Il riscaldatore non deve mai essere installato sotto una presa di corrente.
- Il riscaldatore non deve mai essere installato in una posizione dove interruttori e altri comandi possano essere raggiunti da qualcuno nella vasca da bagno o nella doccia.
- Il riscaldatore funziona a convezione naturale di aria. Per una corretta prestazione e una distribuzione uniforme del calore, se il riscaldatore viene installato sul muro, la parte inferiore deve trovarsi ad almeno 20 centimetri dal pavimento, 20 centimetri dai lati, 50 centimetri da un ripiano più alto ed inoltre ad un minimo di 20 centimetri da qualsiasi altro muro od oggetto (arredamento, tende, ecc.).



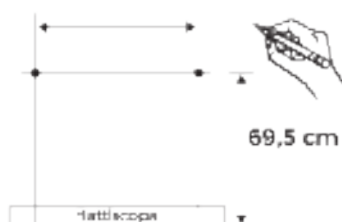
## INSTALLAZIONE A MURO

1. Scegliere una posizione adeguata su una parete stabile e piana. Controllare che ci sia una presa di corrente nelle vicinanze.
2. Le distanze variano a seconda del modello di riscaldatore.
3. Aprire la scatola dell'imballaggio e assicurarsi che siano presenti tutti gli accessori di fissaggio; sarebbe meglio conservare la scatola del prodotto per metterlo via fuori stagione.



## MONTAGGIO

- Una volta rispettate tutte le misure di sicurezza precedentemente indicate, eseguire due segni sul muro secondo le misure "e" indicate nella Tabella 1 e ad un'altezza di 69,5 mm dal pavimento (non dal battiscopa).
- Eseguire sull'area segnata due fori del diametro di 10 mm e una profondità minima di 60 mm.



- Inserire i due tasselli (D) nei due fori e serrare i due ganci (C) con le due viti (D).
- Avvitare le due staffe di supporto (A) (o una staffa di supporto, a seconda del modello) alla parte posteriore del riscaldatore con le quattro viti (E) (o due viti, a seconda del modello).

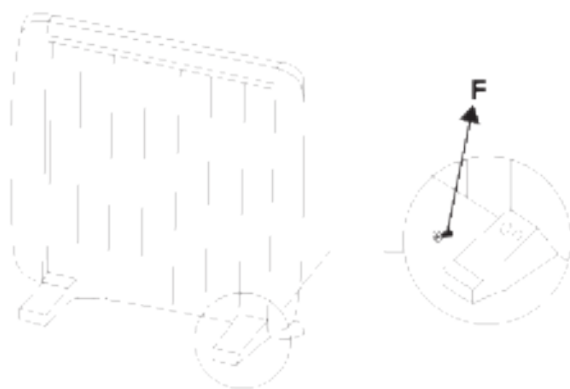


**Nota:** Le due staffe (A) sono avvitate ai fori situati nella parte bassa posteriore del riscaldatore, ad entrambe le estremità.


- Appendere il riscaldatore ai due ganci (C) sul muro. Assicurarsi che il riscaldatore sia correttamente fissato ad entrambi i ganci.
- Quando il riscaldatore è appeso al suo posto, eseguire due segni sulla parete dove le due staffe (A) saranno fissate per garantire che esso sia ben saldo al muro.
- Rimuovere il riscaldatore ed eseguire due fori del diametro di 4 mm e una profondità minima di 25 mm nei due segni sulla parete.
- Inserire i due tasselli e avvitarli con le due viti (B) per fissare completamente il riscaldatore al muro.

**Installazione dei piedini**

- Avvitare i due piedini alla parte bassa posteriore del riscaldatore con le quattro viti in dotazione (F): due viti per ogni piedino.

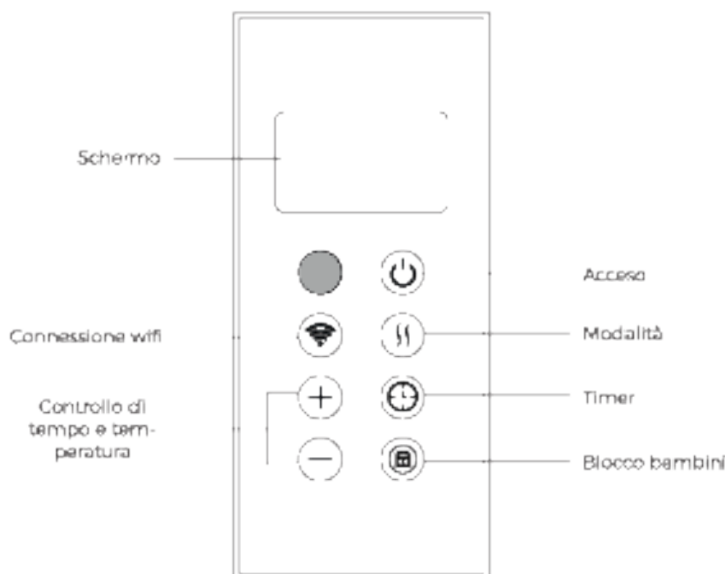


## UTILIZZO DELL'ARTICOLO

- Posizionare il riscaldatore su una superficie piana e stabile.
- Inserire la spina in una qualsiasi presa da 220-240 V, 50 Hz, CA, poi accendere l'interruttore laterale; si sentirà il suono "Di".
- Accendere l'apparecchio premendo il pulsante di alimentazione  - il LED mostrerà sul display la temperatura della stanza - poi usare i comandi tattili o il telecomando per impostare la potenza, la temperatura ed il tempo.
- Se l'apparecchio non viene utilizzato per lungo tempo, spegnerlo mediante l'interruttore di alimentazione e staccare la spina.
- Attenzione! Non coprire l'apparecchio! Il convertitore non deve essere posizionato sotto la doccia o in una piscina.

## PANNELLO DI CONTROLLO

Inserire la spina in una idonea presa di corrente. I pulsanti dello schermo tattile situati sul prodotto corrispondono alle funzioni del telecomando.



### Potenza

Quando il prodotto è acceso, premere "potenza". La parte superiore del display mostra la temperatura. Il riscaldatore sta funzionando alle condizioni di potenza minima.

### Modalità

Basso grado, alto grado.

### Temperatura

La temperatura può essere impostata tra 16°C e 40°C.

La temperatura interna viene mostrata ogni volta che il dispositivo viene avviato. La temperatura può essere impostata quando l'apparecchio è in stand by o sta riscaldando. Quando la temperatura della stanza raggiunge il livello impostato, la potenza ad alta temperatura si ferma mentre la potenza a bassa temperatura rimane attiva. Quando la temperatura della stanza supera di due gradi la temperatura impostata, sia l'alta sia la bassa temperatura smettono di funzionare. L'apparecchio riprenderà a funzionare nuovamente solo quando la temperatura scenderà di due gradi rispetto a quella impostata.

## Timer

Il pulsante del timer può essere impostato per far partire o interrompere l'apparecchio all'ora desiderata, con un intervallo di tempo tra 1 e 24 ore.

## Blocco bambini

Premere il pulsante Blocco bambini per tre secondi per bloccare il riscaldatore. Dopo aver premuto nuovamente il pulsante Blocco bambini per tre secondi, il riscaldatore viene sbloccato.

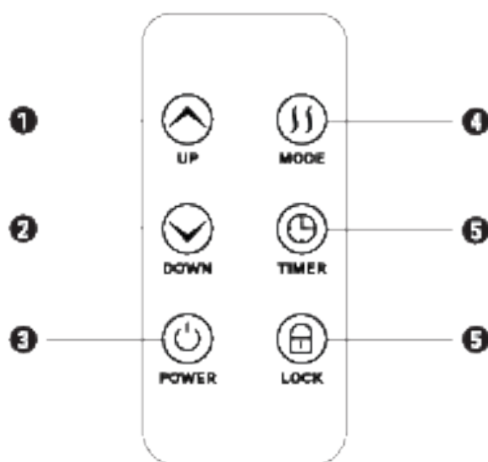
È inoltre possibile premere il pulsante modalità sul pannello di controllo per 3 secondi per bloccare lo schermo o sbloccarlo.

## OPERAZIONI PER IL TELECOMANDO

Inserire la spina in una idonea presa di corrente.

I pulsanti dello schermo tattile situati sul prodotto corrispondono alle funzioni del telecomando.

1. Aumentare la temperatura / il tempo
2. Basso temperatura / tempo
3. Tasto di accensione
4. Modalità
5. Timer
6. Blocco bambini



## PULIZIA

- Prima di pulire l'apparecchio attendere che si sia raffreddato e staccare la spina.
- Non usare abrasivi né solventi. Pulire il prodotto con un panno umido e morbido.
- La polvere deve essere regolarmente rimossa dalla superficie.
- Non lavare il prodotto o metterlo in acqua!
- Se il riscaldatore non si usa per molto tempo, pulire la superficie e riportarlo nella scatola.
- Conservarlo in un luogo secco e ventilato. Evitare forte umidità e urti meccanici sull'apparecchio.

**Attenzione:** non lasciare mai il riscaldatore incustodito!

L'importatore si riserva il diritto di cambiare l'aspetto e l'integrità dell'articolo senza preavvisare il cliente.

L'articolo è solo per uso domestico.

**Attenzione!** Il fabbricante non si assume alcuna responsabilità per eventuali danni causati direttamente o indirettamente dal mancato rispetto del manuale di istruzioni o delle norme generali di sicurezza, o dall'aver interferito con la costruzione del prodotto.



## FUNZIONE WI-FI

1. Usare il proprio telefono per scannerizzare il codice QR sotto riportato e installare l'app.
2. Selezionare il prefisso del proprio paese, digitare il proprio numero di telefono e premere "Ottieni" per ricevere un messaggio con il codice di verifica.
3. Inserire il codice di verifica contenuto nel messaggio e premere "entra" per accedere all'app.
4. Aprire l'app e premere "aggiungi dispositivo" nella parte inferiore.
5. Vi sono due modi per connettersi all'app (modalità hotspot e modalità connessione rapida).  
La modalità connessione rapida è quella predefinita. Gli utenti possono premere l'angolo superiore destro per cambiare il metodo di connessione alla modalità hotspot.
  - Per la modalità connessione rapida, assicurarsi che l'indicatore luminoso del dispositivo stia lampeggiando velocemente.
  - Per la modalità hotspot, assicurarsi che l'indicatore luminoso del dispositivo stia lampeggiando lentamente.
  - Se la luce non lampeggia come descritto sopra, premere il pulsante reset del dispositivo °C per cinque secondi o più fino a che non inizia a lampeggiare correttamente.
6. Selezionare il Wi-Fi, inserire la password e premere "Successivo".
7. Per una modalità veloce di connessione, l'interfaccia dell'app attuerà le modifiche durante i processi di configurazione di rete.
8. Il dispositivo è ora connesso correttamente.
9. A connessione effettuata, premere "Dispositivi" nella parte inferiore. Il nome del dispositivo è mostrato nella lista. Premerlo per entrare nel pannello di controllo della presa smart.



### Note:

- Quando il dispositivo è online, comparirà un punto verde davanti all'icona del dispositivo.
  - Quando il dispositivo è offline, il punto sarà grigio.
  - Se il dispositivo viene condiviso con altri, vi sarà un doppio loop.
10. "Il mio profilo" è dove gli utenti possono gestire le informazioni personali.
    - Informazioni personali: comprendono il nome dell'account e il numero di telefono.
    - Informazioni sui dispositivi condivisi.
    - Centro messaggi.
    - Accedere per inoltrare commenti.
    - Domande frequenti.
    - Vincolo con il telefono: se ci si registra tramite un account di un social network, è possibile vincolare il proprio numero di telefono al proprio account.
    - Aggiungi condivisione: Come mostrato nell'immagine, gli utenti possono inserire il numero di cellulare di un nuovo membro e condividere il dispositivo con lui. Il nuovo membro può controllare il dispositivo con il proprio account.

## SPECIFICHE TECNICHE

IT	Caratteristiche	
Potenza	1200W	2000W
Voltaggio	220-240V	220-240V
Frequenza	50/60Hz	50/60Hz
Dimensioni	690x580x55mm	970x580x55mm
Modi	2 (low, High)	2 (low, High)

## HERZLICH WILLKOMMEN

---

Vielen Dank, dass Sie sich für unser Heizgerät entschieden haben. Bevor Sie das Gerät verwenden, lesen Sie bitte diese Anleitung aufmerksam durch, um die korrekte Benutzung zu gewährleisten.

Die hierin enthaltenen Sicherheitsvorkehrungen verringern bei ordnungsgemäßer Einhaltung das Risiko von Tod, Verletzung und Stromschlag. Bewahren Sie die Anleitung zusammen mit der ausgefüllten Garantiekarte, dem Kaufbeleg und der Verpackung für spätere Verwendungszwecke an einem sicheren Ort auf. Bitte übergeben Sie diese Anleitung gegebenenfalls an den nächsten Besitzer des Geräts. Befolgen Sie bitte bei der Benutzung eines Elektrogeräts stets die grundlegenden Sicherheitsvorkehrungen und Maßnahmen zur Unfallverhütung. Wir übernehmen keine Haftung für Kunden, die diese Bestimmungen nicht einhalten.

## SICHERHEITSAUWEISUNGEN

---

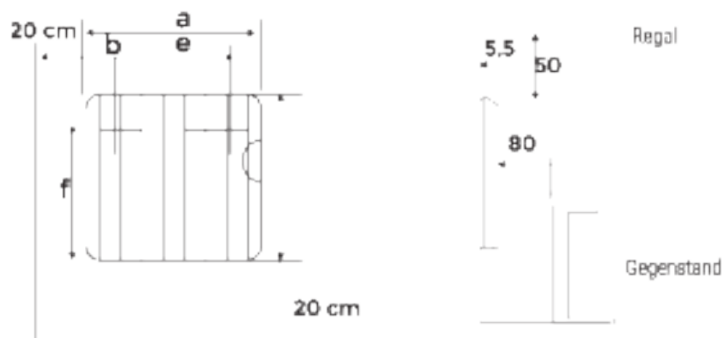
Bei der Verwendung von Elektrogeräten sollten stets grundlegende Vorsichtsmaßnahmen befolgt werden:

- Ziehen Sie den Stecker aus der Steckdose, um das Heizgerät abzuschalten. Ziehen Sie NICHT am Kabel.
- Lassen Sie das Netzkabel nicht das Heizgerät berühren, wenn dieses eingeschaltet ist.
- Achten Sie während des Betriebs darauf, dass das Heizgerät weit genug von brennbaren Materialien wie Vorhängen, Teppichen und Möbeln usw. steht.
- **DECKEN SIE DAS HEIZGERÄT NICHT AB. VERWENDEN SIE DAS HEIZGERÄT NICHT ZUM TROCKNEN VON KLEIDUNG.** Wenn das Heizgerät bedeckt ist, besteht ernsthafte Überhitzungsgefahr.
- **GEFAHRENHINWEIS:** Wenn das Netzkabel beschädigt ist, muss es durch den Hersteller, seinen Kundendienst oder durch voll qualifiziertes Personal ersetzt werden, um Gefahrensituationen zu vermeiden.
- Wenn das Heizgerät in einem Badezimmer installiert werden soll, muss die Installation von einem qualifizierten Elektriker vorgenommen werden.
- Das Heizgerät darf nicht unter oder vor einer Steckdose aufgestellt werden.
- Bei der Entsorgung des Heizgeräts müssen alle Anforderungen der geltenden Gesetzgebung bezüglich Abfallentsorgung und Recycling eingehalten werden.
- Die Installation muss gemäß der geltenden Elektrogenetzgebung durchgeführt werden.
- Dieses Heizgerät muss einen Erdungsanschluss haben.
- Das Heizgerät muss so installiert werden, dass der Netzstecker immer zugänglich ist.
- Dieses Heizgerät darf nicht in eine Wand eingebaut werden. Beachten Sie immer die Sicherheitsabstände.
- Durch ein eingebautes Verriegelungssystem wird verhindert, dass Kinder mit der Programmierung des Heizgeräts spielen.
- Dieses Heizgerät darf nicht von Kindern oder körperlich, geistig oder sensorisch behinderten Personen mit wenig Erfahrung oder Wissen bedient werden, es sei denn, dies geschieht unter der Aufsicht einer für ihre Sicherheit verantwortlichen Person und anhand der entsprechenden Gebrauchsanweisungen. Kinder müssen beaufsichtigt werden, um sicherzustellen, dass sie nicht mit dem Heizgerät spielen.
- Kinder unter drei Jahren müssen vom Heizgerät ferngehalten werden, sofern sie nicht unter ständiger Aufsicht stehen.
- Kinder unter drei Jahren müssen ferngehalten oder ständig beaufsichtigt werden. Kinder zwischen drei und acht Jahren dürfen das Gerät nur ein- und ausschalten, wenn dieses in seiner normalen Betriebsposition aufgestellt oder installiert wurde, und wenn sie in der sicheren Benutzung des Geräts unterwiesen wurden und die damit verbundenen Gefahren begreifen. Kinder zwischen drei und acht Jahren dürfen das Gerät nicht anschließen, regulieren und reinigen oder Wartungsarbeiten durchführen.
- Dieses Gerät darf von Kindern ab acht Jahren und von Personen mit körperlichen, sensorischen oder geistigen Behinderungen oder ohne Erfahrung oder Wissen verwendet werden, sofern sie ordnungsgemäß unterwiesen wurden und von jemandem beaufsichtigt werden, der die Gefahren kennt. Die vom Benutzer durchzuführenden Reinigungs- und Wartungsarbeiten dürfen nicht von Kindern erledigt werden. Kinder dürfen nicht mit dem Gerät spielen.
- **VORSICHT:** Bestimmte Teile dieses Heizgeräts können während des Betriebs sehr heiß werden und Verbrennungen verursachen. Besondere Aufmerksamkeit ist erforderlich, wenn Kinder und andere schutzbedürftige Personen anwesend sind.

- **ACHTUNG:** Bewahren Sie Beutel und anderes Verpackungsmaterial außerhalb der Reichweite von Kindern auf.
- Berühren Sie während des Betriebs nicht die Außenseite des Heizgeräts.
- Es ist ganz normal, dass man einen neuen Geruch bemerkt, wenn das Heizgerät zum ersten Mal eingeschaltet wird. Lassen Sie Ihr Heizgerät zwei oder drei Stunden lang in einem gut belüfteten Bereich laufen.
- Vor jeder kalten Jahreszeit oder wenn das Heizgerät mehrere Tage/Monate nicht in Betrieb war, sollte es vor dem erneuten Einschalten gereinigt werden (folgen Sie den Anweisungen in Kapitel 10 „Wartung“). Diese Reinigung verhindert, dass angesammelter Staub und andere Rückstände verbrennen.
- Dieses Heizgerät DARF NICHT mit externen programmierbaren Geräten oder Steuergeräten von Drittanbietern betrieben werden.
- Aufgrund des Konvektionseffekts dieses Heizgeräts kann es zusammen mit anderen äußeren Faktoren zu Verfärbungen von Metalloberflächen und anderen Oberflächen in der Nähe des Heizgeräts kommen. Dies kann zu Verfärbungen von Metall- und Kunststoffoberflächen führen.
- Temperaturschwankungen können ein Knistern oder Geräusche im Heizgerät verursachen. Dies ist kein Hinweis auf einen Fehler.
- Die Garantie für das Heizgerät deckt keine Schäden ab, die durch Nichtbeachtung dieser Anweisungen verursacht wurden.

## INSTALLATION UND MONTAGE

- Dieses Heizgerät kann auf den mitgelieferten Füßen oder an der Wand (Befestigungen im Lieferumfang inbegriffen) installiert werden.
- Das Heizgerät darf niemals unterhalb einer Netzsteckdose installiert werden.
- Das Heizgerät darf niemals an einer Stelle installiert werden, an der die Schalter und andere Bedienelemente von Personen von der Badewanne oder Dusche aus erreicht werden können.
- Das Heizgerät arbeitet mit natürlicher Luftkonvektion. Um eine korrekte Leistung und eine gleichmäßige Wärmeverteilung zu erzielen, muss der untere Teil des Heizgeräts bei der Montage an einer Wand mindestens 20 cm vom Boden, mindestens 20 cm von den Seiten und 50 cm von einem darüber befindlichen Regal und ebenso mindestens 20 cm von jeder Wand oder jedem Gegenstand (Möbel und Vorhänge usw.) entfernt sein.



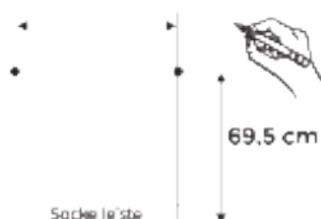
## WANDMONTAGE

1. Wählen Sie einen geeigneten Ort an der Wand, der fest und eben sein sollte. Achten Sie darauf, dass sich in der Nähe eine Steckdose befindet.
2. Die Abstände variieren je nach Heizgerätmmodell.
3. Öffnen Sie den Verpackungskarton und prüfen Sie, ob das gesamte Befestigungszubehör vorhanden ist. Bewahren Sie den Karton für die Aufbewahrung außerhalb der Saison auf.



## MONTAGE

1. Beachten Sie die zuvor genannten Sicherheitsmaße und markieren Sie die Wand mit den in Tabelle 1 angegebenen Maßen „x“ und in einer Höhe von 695 mm vom Boden (nicht ab Fußleiste).
2. Bohren Sie an der markierten Stelle zwei Löcher mit einem Durchmesser von 10 mm und einer Mindestdiefe von 60 mm.



3. Drücken Sie die beiden Dübel (D) in die beiden Löcher und sichern Sie die beiden Haken (C) mit den beiden Schrauben (D).
4. Schrauben Sie die zwei Halteklammern (A) (oder je nach Modell eine Halteklammer) mit den vier Schrauben (E) (oder je nach Modell zwei Schrauben) an den hinteren Teil des Heizgeräts.

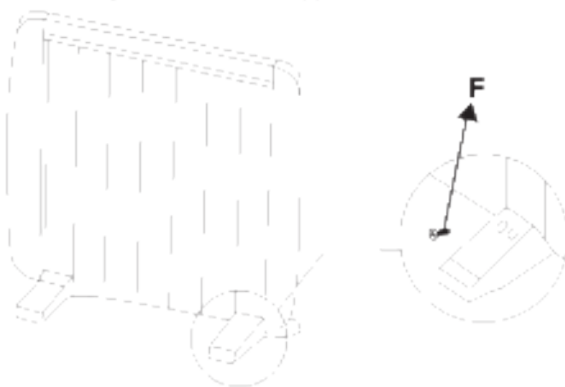


**Hinweis:** Die beiden Halterungen (A) werden an beiden Enden mit den Löchern am unteren hinteren Teil des Heizgeräts verschraubt.


5. Hängen Sie das Heizgerät an die beiden Haken (C) an der Wand. Stellen Sie sicher, dass das Heizgerät an beiden Haken korrekt befestigt ist.
6. Wenn das Heizgerät aufgehängt ist, machen Sie zwei Markierungen an der Wand, an denen die beiden Halterungen (A) befestigt werden, um sicherzustellen, dass das Heizgerät gut an der Wand befestigt ist.
7. Nehmen Sie das Heizgerät ab und bohren Sie zwei Löcher mit einem Durchmesser von 4 mm und einer Mindestdiefe von 25 mm an beiden Markierungen in die Wand.
8. Setzen Sie die beiden Dübel ein und befestigen Sie es mit den beiden Schrauben (B), um das Heizgerät vollständig an der Wand zu befestigen.

**Montage der Füße**

1. Schrauben Sie die beiden Füße mit den vier mitgelieferten Schrauben (F) am unteren hinteren Teil des Heizgeräts fest: zwei Schrauben pro Fuß.

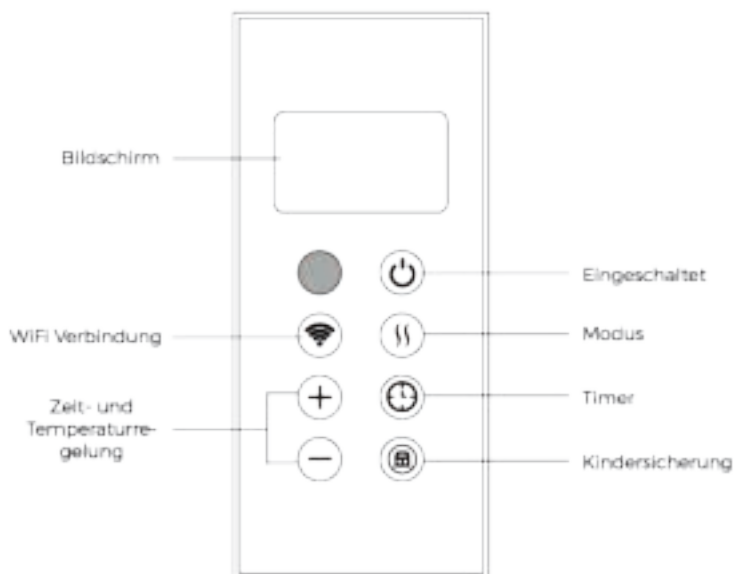


## GEBRAUCH DES ARTIKELS

- Stellen Sie das Heizgerät auf eine ebene, stabile Oberfläche.
- Schließen Sie es an eine Stromquelle mit 220-240 V, 50 Hz Wechselstrom an und schalten Sie es mit dem seitlichen Schalter ein. Sie hören den Ton „Di“.
- Schalten Sie das Heizgerät ein, indem Sie die Ein/Aus-Taste  drücken. Das LED zeigt die Raumtemperatur an. Stellen Sie dann mit den Touch-Bedienelementen oder der Fernbedienung die Leistung, die Temperatur und die Zeit ein.
- Wenn das Gerät längere Zeit nicht benutzt wird, schalten Sie es mit der Ein/Aus-Taste aus und ziehen Sie den Stecker aus der Steckdose.
- Warnhinweis! Decken Sie das Produkt nicht ab! Der Konvektor darf nicht unter eine Dusche oder an einen Swimmingpool gestellt werden.

## BEDIENPANEL

Stecken Sie den Stecker in eine geeignete Steckdose. Die am Produkt befindlichen Touchscreen-Tasten entsprechen den Funktionen der Fernbedienung.



### Leistung

Wenn das Produkt eingeschaltet ist, drücken Sie „Power“. Im oberen Teil des Displays wird die Temperatur angezeigt. Das Heizgerät heizt jetzt mit geringer Leistung.

### Modus

Niedrig, hoch.

### Temperatur

Die Temperatur kann von 16° C bis 40° C eingestellt werden.

Die Innentemperatur wird bei jedem Einschalten des Geräts angezeigt. Die Temperatur kann eingestellt werden, wenn sich das Gerät im Standby-Modus befindet oder heizt. Wenn die Raumtemperatur das eingestellte Niveau erreicht, stoppt die Hochtemperaturleistung und die Niedertemperaturleistung bleibt aktiv. Wenn die Raumtemperatur zwei Grad über der eingestellten Temperatur liegt, werden sowohl die Hochtemperatur- als auch die Niedertemperaturleistung ausgeschaltet. Das Gerät nimmt den Betrieb erst wieder auf, wenn die Temperatur im Vergleich zur eingestellten Temperatur um zwei Grad gesunken ist.

## ⌚ Zeitschaltuhr

Die Zeitschaltuhr kann mit der Taste Timer so eingestellt werden, dass das Gerät zur gewünschten Zeit mit einem Zeitintervall zwischen 1 und 24 Stunden gestartet oder gestoppt wird.

## 🔒 Kindersicherung

Drücken Sie die Taste Child Lock drei Sekunden lang, um das Heizgerät zu blockieren. Nach erneutem Drücken der Taste Child Lock wird die Kindersicherung aufgehoben.

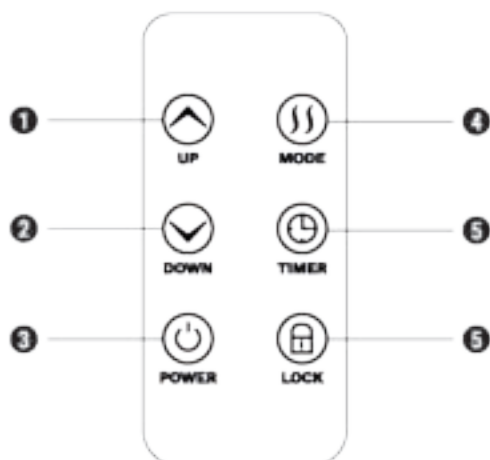
Sie können auch die Modustaste auf dem Bedienfeld 3 Sekunden lang drücken, um den Bildschirm zu sperren oder zu entsperren.

## VORGEHENSWEISE FÜR FERNBEDIENUNG

Stecken Sie den Stecker in eine geeignete Steckdose.

Die am Produkt befindlichen Touchscreen-Tasten entsprechen den Funktionen der Fernbedienung.

1. Temperatur / Zeit erhöhen
2. Niedrigere Temperatur / Zeit
3. Netzschalter
4. Modus
5. Timer
6. Kindersicherung



## REINIGUNG

- Warten Sie vor dem Reinigen, bis das Gerät abgekühlt ist, und ziehen Sie den Netzstecker.
- Verwenden Sie keine Scheuermittel und Lösungsmittel. Wischen Sie das Produkt mit einem weichen, feuchten Tuch ab.
- Staub muss regelmäßig von der Oberfläche entfernt werden.
- Waschen Sie den Artikel nicht und legen Sie ihn nicht in Wasser!
- Wenn Sie das Heizgerät längere Zeit nicht benutzen, wischen Sie die Oberfläche ab und verwahren Sie das Gerät im Karton.
- Es sollte in einem trockenen, belüfteten Raum aufgestellt werden. Vermeiden Sie hohe Luftfeuchtigkeit und mechanische Einflüsse auf das Produkt.

**Achtung:** Heizgerät niemals unbeaufsichtigt lassen!

Der Importeur behält sich das Recht vor, das Aussehen und die Vollständigkeit der Ware zu ändern, ohne den Kunden vorher darüber zu informieren.

Das Gerät ist nur für den Hausgebrauch bestimmt.

**Warnhinweis!** Der Hersteller übernimmt keine Haftung für Schäden, die direkt oder indirekt durch Nichtbeachtung dieser Bedienungsanleitung oder der allgemeinen Sicherheitsvorschriften oder durch Eingriffe in die Konstruktion des Produkts verursacht werden.

## WLAN-FUNKTION

1. Scannen Sie mit Ihrem Handy den unten stehenden QR Code oder suchen Sie nach „kohls Home“, um die App herunterzuladen und zu installieren.
2. Wählen Sie Ihre Landesvorwahl, geben Sie Ihre Mobiltelefonnummer ein und tippen Sie auf „Ger“, um eine Nachricht mit einem Bestätigungscode zu erhalten.
3. Geben Sie den Bestätigungscode in die Nachricht ein und tippen Sie auf „Anmelden“, um sich bei der App anzumelden.
4. Gehen Sie zur App und tippen Sie unten auf „Gerät hinzufügen“.
5. Es gibt zwei Verbindungsmethoden für die App (Hotspot-Modus und Schnellverbindungsmodus). Der Schnellverbindungsmodus ist der Standardmodus. Um die Verbindungsmethode in den Hotspot-Modus zu wechseln, tippen Sie auf die obere rechte Ecke.
  - Beim Schnellverbindungsmodus achten Sie darauf, dass die Kontrollleuchte des Geräts schnell blinkt.
  - Beim Hotspot-Modus achten Sie darauf, dass die Kontrollleuchte des Geräts langsam blinkt.
  - Wenn die Leuchte nicht wie oben beschrieben blinkt, drücken Sie bitte mindestens fünf Sekunden lang auf die Reset-Taste am Gerät **C**, bis sie korrekt blinkt.
6. Wählen Sie das WLAN-Netz, geben Sie das Passwort ein und tippen Sie auf „Weiter“.
7. Für den Schnellverbindungsmodus durchläuft die App-Oberfläche die Änderungen während der Netzwerkkonfiguration.
8. Das Gerät ist jetzt korrekt angeschlossen.
9. Nachdem das Gerät erfolgreich verbunden wurde, tippen Sie unten auf „Geräte“. Der Gerätenamen wird in der Liste angezeigt. Tippen Sie darauf, um das Bedienfeld des Smart Sockets aufzurufen.



### Hinweise:

- Wenn das Gerät online ist, wird ein grüner Punkt vor dem Gerätesymbol angezeigt.
  - Wenn das Gerät offline ist, ist der Punkt grau.
  - Wenn das Gerät von anderen geteilt wird, wird eine Doppelschleife angezeigt.
10. In „Mein Profil“ können Benutzer persönliche Informationen verwalten.
    - Persönliche Informationen einschließlich Kontoname und Mobiltelefonnummer.
    - Informationen zu freigegebenen Geräten.
    - Mitteilungszentrum.
    - Eintrag, um Feedback abzugeben.
    - F.A.Q - Häufig gestellte Fragen.
    - Verknüpfung mit Telefon: Wenn Sie sich mit einem Konto der sozialen Netzwerke anmelden, können Sie Ihre Telefonnummer mit Ihrem Konto verknüpfen.
    - Über Add Sharing (Freigabe hinzufügen): Wie in der Abbildung gezeigt, können Benutzer die Mobiltelefonnummer eines neuen Mitglieds eingeben und das Gerät für sie freigeben. Das neue Mitglied kann das Gerät mit seinem eigenen Konto steuern.

## TECHNISCHE DATEN

DE	Leistungsmerkmale	
Leistung	1200W	2000W
Spannung	220-240V	220-240V
Netzfrequenz	50/60Hz	50/60Hz
Maße	690x580x55mm	970x580x55mm
Modi	2 (low, High)	2 (low, High)



In compliance with Directives 2002/95/CE, 2002/96/CE and 2003/108/CE on the restriction of the use of dangerous substances in electric and electronic equipment as well as their waste disposal. The symbol with the crossed dustbin shown on the package indicates that the product at the end of its service life shall be collected as separate waste. Therefore, any products that have reached the end of their useful life must be given to waste disposal centres specialising in separate collection of waste electrical and electronic equipment, or given back to the retailer at the time of purchasing new similar equipment, on a one for one basis. The adequate separate collection for the subsequent start-up of the equipment sent to be recycled, treated and disposed of in an environmentally compatible way contributes to preventing possible negative effects on the environment and health and optimises the recycling and reuse of components making up the apparatus. Abusive disposal of the product by the user involves application of the administrative sanctions according to the laws.



Según las Directivas Europeas 2002/95/CE, 2002/96/CE y 2003/108/CE, relativas a la reducción del uso de sustancias peligrosas en los aparatos eléctricos, además del desecho de residuos. El símbolo tachado del contenedor que se encuentra en el packaging indica la obligación de que el producto, al final de su vida útil, deberá depositarse en un lugar separado de los demás residuos. Por lo tanto el usuario deberá entregar el aparato, cuando deje de utilizarse, a los adecuados centro de recogida diferenciada de residuos electrónicos y electro-técnicos, o deberá devolverlo al vendedor en el momento de compra de un nuevo aparato de tipo equivalente, uno a cambio de otro. La adecuada recogida diferenciada del aparato inutilizado para los sucesivos procesos ambientalmente compatibles de reciclaje, tratamiento y desecho, contribuye a evitar posibles efectos negativos en el medio ambiente y en la salud, y favorece el reciclaje de los materiales de los que se compone el aparato. El desecho abusivo del producto por parte del usuario implica la aplicación de las sanciones previstas por la ley.



De acordo com as Directivas Europeias 2002/95/CE, 2002/96/CE e 2003/108/CE, relativas à redução do uso de substâncias perigosas nos aparelhos eléctricos, além dos resíduos. O símbolo tachado do contêntor que está no packaging indica a obrigação de que o produto, ao final da sua vida útil, deverá depositar-se num lugar separado aos demais resíduos. Por tanto o usuário deverá entregar o aparelho, quando deixe de usá-lo, aos adequados centros de recolha diferenciada de resíduos electrónicos e electro-técnicos, ou deverá devolvê-lo ao vendedor no momento de compra de um novo aparelho de tipo equivalente, um a troca de outro. A adequada recolha diferenciada do aparelho inutilizado para os sucessivos processos ambientalmente compatíveis de reciclagem, tratamento e resíduos, contribui a evitar possíveis efeitos negativos no meio-ambiente e na saúde, e favorece a reciclagem dos materiais dos que se compõe o aparelho. O descarte abusivo do produto por parte do usuário implica a aplicação das sanções previstas pela lei.



Selon les Directives européennes 2002/95/CE, 2002/96/CE et 2003/108/CE, relatives à la limitation de l'utilisation de substances dangereuses dans les équipements électriques, et à l'élimination des déchets. Le symbole de la poubelle rayée qui se trouve sur l'emballage indique l'obligation d'apporter le produit, à la fin de sa vie utile, dans un endroit séparé des autres déchets. Par conséquent, l'utilisateur doit remettre l'appareil, lorsqu'il cesse d'être utilisé, dans un centre de collecte sélective de déchets électroniques et électrotechniques approprié, ou doit le restituer au vendeur au moment de l'achat d'un nouvel appareil similaire. La collecte sélective et adéquate de l'appareil inutilisé pour les différents problèmes de recyclage, traitement et déchets écologiquement compatibles, contribue à éviter de possibles impacts négatifs sur l'environnement et la santé, et favorise le recyclage des matériaux composant l'appareil. Jeter le produit de façon abusive entraîne l'application des sanctions prévues par la loi.



Secondo le direttive europee 2002/95/CE, 2002/96/CE e 2003/108/CE sulla riduzione dell'uso di sostanze pericolose nelle apparecchiature elettriche e sullo smaltimento dei rifiuti. Il simbolo barrato sul contenitore sulla confezione indica l'obbligo che il prodotto, al termine della sua vita utile, deve essere smaltito separatamente dagli altri rifiuti. L'utente deve quindi restituire il dispositivo, quando non è più in uso, all'apposito centro di raccolta differenziata per i rifiuti elettronici ed elettotecnici, oppure restituirlo al venditore al momento dell'acquisto di un nuovo dispositivo di tipo equivalente, uno a sostituzione dell'altro. Un'adeguata raccolta differenziata del dispositivo non utilizzato per i successivi processi di riciclaggio, trattamento e smaltimento compatibili con l'ambiente contribuisce ad evitare possibili effetti negativi sull'ambiente e sulla salute e favorisce il riciclaggio dei materiali di cui il dispositivo è composto. Lo smaltimento abusivo del prodotto da parte dell'utente implica l'applicazione delle sanzioni previste dal codice penale.



Gemäß den europäischen Richtlinien 2002/95/EG, 2002/96/EG und 2003/108/EG zur Reduzierung der Verwendung gefährlicher Stoffe in Elektrogeräten sowie zur Entsorgung von Abfällen. Das durchgestrichene Symbol eines Müllimers, auf der Verpackung, weist auf die Verpflichtung hin, dass das Produkt am Ende seiner Nutzungsdauer getrennt von anderen Abfällen entsorgt werden muss. Der Nutzer muss das Gerät daher, wenn es nicht mehr in Gebrauch ist, an die entsprechende Sammelstelle für Elektro- und Elektronikschrott abgeben oder an den Verkäufer zurückgeben, wenn er ein neues gleichwertiges Gerät kauft. Eine angemessene Entsorgung des unbenutzten Gerätes für umweltverträgliche Prozesse des Recyclings, der Behandlung und der Entsorgung trägt dazu bei, mögliche negative Auswirkungen auf die Umwelt und die Gesundheit zu vermeiden, und begünstigt das Recycling der Materialien, aus denen das Gerät besteht. Die missbräuchliche Entsorgung des Produkts durch den Benutzer impliziert die Anwendung von gesetzlich vorgesehenen Sanktionen.









# CREATE

The life you want to live in